

AMCA Certified Ratings Seal

Loren Cook Company certifies that the EUD shown herein is licensed to bear the AMCA Seal. The ratings shown are based on tests and procedures performed in accordance with AMCA Publication 211 and AMCA Publication 311 and comply with the requirements of the AMCA Certified Ratings Program.

AMCA Sound and Air

▶ EUD

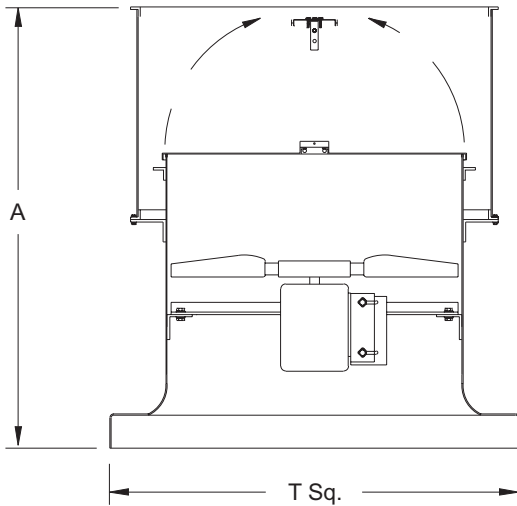
UL 705 Listed

The UL 705 Listing is the standard for electrical safety for permanently connected power ventilators. Loren Cook Company products that bear the UL 705 Listing are designed to meet the requirements for electrical safety. The products listed herewithin are furnished standard with UL 705 and CUL 705 listing (Power Ventilator/ZACT) when furnished with factory supplied motor.

Dimensional Data



AMCA Certified Ratings Seal for Sound and Air



Dimensions (Inches)

Size	A	T Sq.
48	70	60
63	91-3/8	72

Performance Data

Size 48

Model Number	RPM	Max. BHP	CFM at Static Pressure										
			0	0.125	0.250	0.375	0.500	0.750	1.000	1.250	1.500		
48EU410D	680	1.09	16188	13900									
	860	2.20	20473	18755	16754	14822							
	1140	5.12	27138	25870	24523	23009	21496	18510	14937				
48EU414D	680	1.53	19422	17162	14636								
	860	3.10	24563	22796	20949	18932	16768						
	1140	7.23	32561	31237	29894	28512	27061	23939	20501	16020			
48EU415D	680	1.68	20400	18112	15592								
	860	3.39	25801	24008	22149	20141	17961						
	1140	7.90	34202	32856	31496	30104	28654	25543	22090	17875			
48EU420D	680	2.42	24050	21765	19098	16363							
	860	4.90	30418	28652	26725	24575	22486	17111					
	1140	11.41	40324	39009	37653	36222	34659	31442	28215	24203			
48EU425D	680	3.18	26677	24360	21838	19097	15431						
	860	6.44	33741	31926	30048	28037	25931	21021					
	1140	14.96	44730	43369	41990	40583	39124	36032	32782				
48EU430D	680	4.28	29919	27039	24332	21535							
	860	8.65	37841	35542	33330	31205	29023	24197					
	1140	20.15	50168	48428	46712	45034	43411	40195	36858	33315			
48EU435D	680	5.28	32121	29392	26199	23196							
	860	10.69	40627	38513	36227	33645	31227	25227					
	1140	24.89	53863	52289	50667	48968	47119	43247	39694	35611			
48EU610D	680	1.52	16540	14911	13153								
	860	3.08	20918	19641	18322	16922	15461						
	1140	7.17	27726	26769	25800	24812	23788	21644	19373	16768	13541		
48EU614D	680	2.18	20550	18930	17118	15125							
	860	4.40	25990	24724	23403	21955	20425	16761					
	1140	10.25	34452	33504	32540	31552	30518	28273	25921	23110	19741		
48EU615D	680	2.27	21054	19436	17648	15646	13065						
	860	4.58	26627	25361	24046	22622	21093	17426					
	1140	10.70	35296	34347	33385	32401	31379	29166	26798	23997	20548		
48EU620D	680	3.30	25683	23874	21975	19842	17314						
	860	6.68	32482	31060	29614	28109	26490	22782	15868				
	1140	15.56	43061	41993	40917	39830	38725	36405	33870	31057	27649		
48EU625D	680	4.40	28961	27166	25317	23299	20828						
	860	8.90	36629	35214	33785	32323	30787	27237					
	1140	20.74	48560	47497	46429	45353	44267	42035	39638	36954	33450		
48EU630D	680	6.07	32427	30536	28589	26453	23937						
	860	12.28	41013	39524	38018	36476	34857	31136					
	1140	7.45	35277	33060	30761	28381	25597						
48EU635D	680	7.45	35277	33060	30761	28381	25597						
	860	15.07	44619	42874	41104	39282	37404	33448					

Size 63

Model Number	RPM	Max. BHP	CFM at Static Pressure										
			0	0.125	0.250	0.375	0.500	0.750	1.000	1.250	1.500		
63EU420D	680	2.22	30924	27395	23781								
	860	4.49	39110	36349	33494	30640	27779	21271					
	1140	10.46	51845	49775	47678	45530	43348	39081	34633	29837			
63EU425D	680	3.37	40755	37578	33922	30244	26021						
	860	7.63	51574	49075	46453	43515	40584	34280	27119				
	1140	17.78	68339	66494	64605	62648	60564	56060	51718	46898	41816		
63EU430D	680	5.97	49293	46294	43178	39634	35409	22802					
	860	12.09	62348	59988	57593	55128	52488	46184	39161	26258			
	1140	28.15	82663	80893	79107	77307	75484	71704	67504	62670	57435		
63EU435D	680	8.58	57105	54021	50870	47476	43437	32995					
	860	17.36	72231	69802	67350	64859	62272	56340	48275				
	1140	10.03	60637	57699	54491	50637	46755						
63EU437D	680	20.29	76699	74405	72020	69475	66598	60358	53607				
	860	11.82	64488	61210	57810	53999	49214						
	1140	23.92	81572	78998	76376	73685	70834	63855	56481				

Performance shown is for installation type A: free inlet, free outlet. Power rating (BHP) does not include drive losses. Performance ratings do not include the effects of appurtenances in the airstream. Shaded area denotes CFM where aluminum dampers are required.

Sound Data Size 63 (Continued)

Model	RPM	SP	1	2	3	4	5	6	7	8	LwiA
63EU430D08	860	0.75	105	105	104	102	98	92	85	78	103
		1	104	105	103	101	97	92	86	81	102
		1.25	104	105	101	99	96	92	87	82	101
63EU430D11	1140	0	117	119	109	106	103	96	91	89	109
		0.125	116	118	109	106	103	97	91	88	109
		0.25	116	118	109	105	103	97	92	88	109
		0.375	115	117	109	105	103	97	92	87	109
		0.5	115	117	108	105	103	98	92	87	108
		0.75	113	116	108	106	104	99	93	87	109
		1	112	114	109	108	105	99	93	87	110
		1.25	110	113	109	109	106	100	94	87	111
		1.5	109	112	110	109	106	101	94	88	111
		63EU435D06	680	0	108	102	97	94	88	82	77
0.125	107			101	97	94	88	83	78	70	95
0.25	106			99	96	94	89	84	78	72	95
0.375	105			99	97	95	90	85	80	73	96
0.5	103			99	99	96	91	86	81	75	97
0.75	102			102	97	95	90	85	80	76	97
63EU435D08	860	0	112	110	104	100	95	89	84	77	102
		0.125	111	109	103	100	95	90	84	78	102
		0.25	111	108	103	100	96	90	85	78	102
		0.375	110	108	102	100	96	91	85	79	102
		0.5	109	107	103	100	96	91	86	80	102
		0.75	108	106	104	102	98	93	87	82	103
63EU437D06	680	1	107	108	105	102	98	93	87	82	103
		0	109	102	98	95	89	84	78	71	96
		0.125	108	101	98	94	89	84	79	72	96
		0.25	106	100	97	94	90	85	80	74	96
		0.375	105	100	98	95	91	86	81	75	97
63EU437D08	860	0.5	104	100	99	96	92	87	82	77	98
		0	113	111	105	101	96	90	85	78	103
		0.125	112	110	104	101	96	91	86	79	103
		0.25	112	109	104	101	96	91	86	80	103
		0.375	111	108	103	100	96	92	87	81	102
		0.5	110	108	103	101	97	92	87	81	103
		0.75	108	107	104	102	98	93	88	83	104
		1	107	107	105	102	98	93	88	84	104
		1.25	107	107	102	100	97	92	86	82	102
63EU440D06	680	1.5	101	102	100	98	96	91	86	81	100
		0	102	100	98	95	90	85	80	74	96
		0.125	102	100	97	95	90	86	81	75	96
		0.25	102	99	97	95	90	86	82	76	96
		0.375	101	99	98	95	91	87	82	77	97
63EU440D08	860	0.5	100	99	98	96	92	87	83	79	98
		0	106	106	103	101	97	92	87	81	103
		0.125	106	106	103	101	97	92	87	82	103
		0.25	106	106	103	101	97	92	88	82	103
		0.375	106	106	103	101	97	93	88	83	103
		0.5	106	106	103	101	97	93	89	84	103
		0.75	104	106	103	102	98	94	89	85	104
1	106	107	104	102	98	93	88	84	104		

The sound power level ratings shown are in decibels referred to 10-12 watts calculated per AMCA Standard 301. The A-weighted sound ratings shown have been calculated per AMCA Standard 301. Values shown are for inlet LWi and inlet LWiA sound power levels for installation Type A: Free inlet, Free outlet. Ratings do not include the effects of duct end correction.