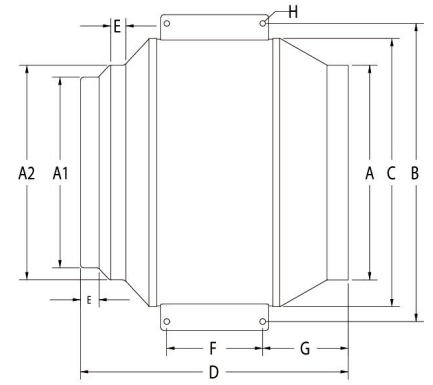




systemair FKD/KD Series Inline Mixed Flow Fan



Certifications:



Systemair Mfg. Inc. certifies that the FKD / KD series shown herein is licensed to bear the AMCA seal. The ratings shown are based on tests and procedures performed in accordance with AMCA Publication 211 and AMCA Publication 311 and comply with the requirements of the AMCA Certified Ratings Program.

Dimensional Table (in inches):

Model	A	A1	A2	B	C	D	E	F	G	H
FKD 8XL / KD 8XL	8	-	-	14	12 1/2	15 1/2	3/4	2 3/8	6 1/8	3/8
FKD 10 / KD 10	10	-	-	14	12 1/2	15 1/2	3/4	2 3/8	5	3/8
FKD 10XL / KD 10XL	10	-	-	15 5/8	14	15	3/4	2 3/8	6 3/8	3/8
FKD12 / KD12	12	-	-	15 5/8	14	12 1/2	3/4	2 3/8	5 1/8	3/8
FKD 12XL / KD 12XL	12	12	14	20 3/8	17 7/8	18 7/8	1 3/8	4	8 1/2	3/8
FKD14 / KD14	14	12	14	20 3/8	17 1/4	17 1/4	1 1/4	4	6 3/4	3/8
FKD 14XL / KD 14XL	14	14	15 5/8	22 3/8	19 3/4	20 1/4	1 1/2	4	8 3/4	3/8
FKD 16 / KD 16	16	14	15 5/8	22 3/8	19 3/4	18 3/4	1 1/2	4	7 1/8	3/8
FKD 16XL / KD 16XL	16	15 5/8	17 5/8	24 1/2	22 1/8	23 3/4	1 1/4	7 7/8	8 1/2	1/2
FKD 18 / KD 18	18	15 5/8	17 5/8	24 1/2	22 1/8	21 3/4	1 1/4	7 7/8	7	1/2
FKD 18XL / KD 18XL	18	17 5/8	19 5/8	28 1/2	26	27 1/4	1 3/4	7 7/8	10 1/2	1/2
FKD 20 / KD 20	20	17 5/8	19 5/8	28 1/2	26	27 1/4	1 3/4	7 7/8	10 1/2	1/2

Performance Data:

Model	Rated Power (W)	Voltage (V)	Item #	Phase Freq. (-, Hz)	Max Amps (A)	RPM (min ⁻¹)	Certified Data						Max Ps (in.wg)	LwA at 0.5" Ps (dB(A))
							0.0"Ps	0.5"Ps	0.75"Ps	1.0"Ps	1.5"Ps	2.0"Ps		
FKD 8XL / KD 8XL	327	120	40012	1, 60	2.99	2750	819	665	583	477	277	200	2.5	78
		230	42576		1.50									
FKD 10 / KD 10	329	120	40014	1, 60	3.01	2750	910	752	653	547	342	142	2.6	80
		230	42577		1.50									
FKD 10XL / KD 10XL	529	120	40013	1, 60	4.84	2900	1266	1100	1006	911	696	460	3.08	84
		230	40469		2.25									
FKD12 / KD12	531	120	40016	1, 60	4.86	2875	1305	1145	1054	948	712	479	3.08	85
		230	40470		2.10									
FKD 12XL / KD 12XL	487	120	498327	1, 60	4.14	1675	1863	1508	1295	990	210	-	1.65	74
		230	498328		2.03									
FKD14 / KD14	491	120	498331	1, 60	4.14	1675	1979	1597	1354	1030	226	-	1.66	74
		230	498333		2.03									
FKD 14XL / KD 14XL	727	120	498335	1, 60	6.07	1525	2406	1921	1667	1359	567	34	1.93	77
		230	498336		2.92									
FKD 16 / KD 16	727	120	498339	1, 60	6.07	1525	2438	1940	1663	1359	640	-	1.96	77
		230	498340		2.92									
FKD 16XL / KD 16XL	1609	120	498342	1, 60	13.59	1650	3740	3143	2809	2460	1682	965	2.67	82
		230	498343		6.44									
FKD 18 / KD 18	1637	120	498347	1, 60	13.59	1650	3951	3354	3040	2694	2017	1085	2.67	83
FKD 18XL / KD 18XL	2298	230/460	498349	3, 60	6.9/3.4	1700	5463	5013	4773	4525	3986	3252	3.42	88
FKD 20 / KD 20	2326	230/460	498351	3, 60	6.9/3.5	1700	5588	5130	4885	4628	4047	3377	3.46	89

Performance certified is for installation type D: Ducted inlet, Ducted outlet. | Speed (RPM) shown is nominal. Performance is based on actual speed of test. | Performance ratings do not include the effects of appurtenances (accessories). | Values shown are for inlet LwA sound power levels for installation type D: ducted inlet, ducted outlet. Ratings include the effects of duct end correction. | The sound ratings shown are Full Octave, A-weighted, Sound Power values at 0.5" in.wg. calculated per AMCA International Standard 301.