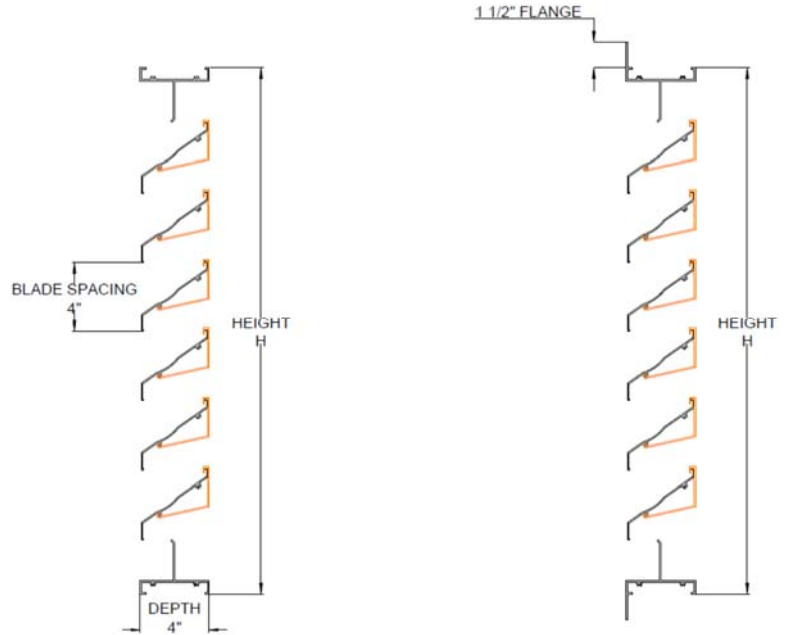
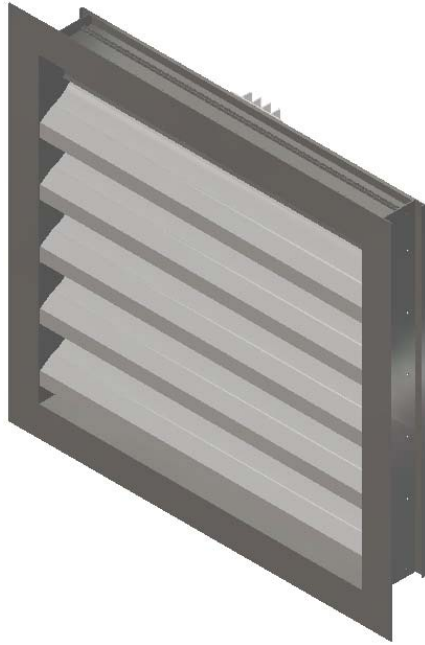




LOUVERS & BACK DRAFT DAMPERS

MODEL 2410A / 2415A
HIGH PERFORMANCE 4" DEEP ARCHITECTURAL LOUVER



PERFORMANCE			
LOUVER UNIT SIZE	TOTAL AREA	FREE AREA	FREE AREA
48" x 48"	16 ft ²	8.37 ft ²	52.3 %
(1219 x 1219 mm)	(1.49 m ²)	(0.83 m ²)	
BEGINNING POINT OF WATER PENETRATION AT 0.01 oz./ft ² FREE AREA:			697 FPM

STANDARD CONSTRUCTION	
DEPTH:	4" (102 mm)
MATERIAL:	EXTRUDED ALUMINUM - 6063-T5 ALLOY
FRAME THICKNESS:	0.081" (2.06 mm)
BLADE THICKNESS:	0.081" (2.06 mm)
BLADE ANGLE:	37°
BLADE CENTERS:	4" (102 mm)
BIRDSCREEN:	19 GA. GALVANIZED BIRDSCREEN - 1/2" x 1/2" OPENINGS
FINISH:	MILL

SIZE LIMITATIONS: SINGLE SECTION LOUVER		
	MINIMUM	MAXIMUM
WIDTH	12" (305 mm)	72" (1829 mm)
HEIGHT	12" (305 mm)	120" (3048 mm)
AREA	1 ft ² (0.09 m ²)	60 ft ² (5.57 m ²)

*LOUVER WILL BE MANUFACTURED 1/4" (6.4 mm) SMALLER (SINGLE SECTION) AND 1/2" (12.7 mm) SMALLER (MULTIPLE SECTION) THAN GIVEN OPENING DIMENSIONS UNLESS OTHERWISE SPECIFIED

AVAILABLE ACCESSORIES		
FINISH: <ul style="list-style-type: none"> POWDER COAT FINISH DURANAR FINISH ANODIZED FINISH <ul style="list-style-type: none"> CLEAR ANODIZED LIGHT BRONZE MEDIUM BRONZE DARK BRONZE BLACK ANODIZED EXTENDED SILLS SECURITY BARS FILTER RACKS STAINLESS STEEL FASTENERS HINGED ACCESS DOORS ALL WELDED CONSTRUCTION CUSTOM GEOMETRIC SHAPES CONTINUOUS LINE CONSTRUCTION WITH HIDDEN MULLIONS TO PROVIDE AN UNINTERRUPTED APPEARANCE 	SCREENS: <ul style="list-style-type: none"> BIRDSCREEN <ul style="list-style-type: none"> 1/2" x 1/2" INTER CRIMPED ALUMINUM ALUMINUM BIRDSCREEN WITH FRAME INSECT SCREEN <ul style="list-style-type: none"> 18 x 14 MESH 	BLANK-OFF PANELS (ALUMINUM): VARIOUS GAUGES <ul style="list-style-type: none"> NON-INSULATED BLANK-OFF PANELS INSULATED BLANK-OFF PANELS <ul style="list-style-type: none"> 1" (25.4 mm) INSULATION 2" (50.8 mm) INSULATION

DWG. 2410A / 2415A AUGUST 2023



LOUVERS & BACK DRAFT DAMPERS

MODEL 2410A / 2415A

HIGH PERFORMANCE 4" DEEP ARCHITECTURAL LOUVER

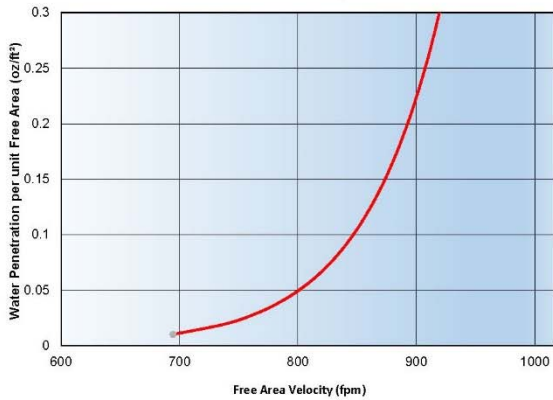
FREE AREA (Sq. Ft.)

WIDTH (INCHES)

HEIGHT (INCHES)	12	16	20	24	28	32	36	40	44	48	52	56	60	64	68	72
12	0.27	0.37	0.47	0.58	0.68	0.78	0.88	0.99	1.09	1.19	1.29	1.40	1.50	1.60	1.70	1.81
16	0.45	0.62	0.79	0.96	1.13	1.30	1.48	1.65	1.82	1.99	2.16	2.33	2.50	2.67	2.84	3.01
20	0.63	0.87	1.11	1.35	1.59	1.83	2.07	2.31	2.55	2.79	3.03	3.27	3.51	3.74	3.98	4.22
24	0.81	1.12	1.43	1.73	2.04	2.35	2.66	2.97	3.28	3.58	3.89	4.20	4.51	4.82	5.13	5.43
28	0.99	1.37	1.74	2.12	2.50	2.87	3.25	3.63	4.00	4.38	4.76	5.14	5.51	5.89	6.27	6.64
32	1.17	1.61	2.06	2.51	2.95	3.40	3.84	4.29	4.73	5.18	5.62	6.07	6.52	6.96	7.41	7.85
36	1.35	1.86	2.38	2.89	3.41	3.92	4.43	4.95	5.46	5.98	6.49	7.00	7.52	8.03	8.55	9.06
40	1.53	2.11	2.70	3.28	3.86	4.44	5.03	5.61	6.19	6.77	7.36	7.94	8.52	9.11	9.69	10.27
44	1.71	2.36	3.01	3.66	4.32	4.97	5.62	6.27	6.92	7.57	8.22	8.87	9.53	10.18	10.83	11.48
48	1.89	2.61	3.33	4.05	4.77	5.49	6.21	6.93	7.65	8.37	9.09	9.81	10.53	11.25	11.97	12.69
52	2.07	2.86	3.65	4.44	5.22	6.01	6.80	7.59	8.38	9.17	9.96	10.74	11.53	12.32	13.11	13.90
56	2.25	3.11	3.96	4.82	5.68	6.54	7.39	8.25	9.11	9.96	10.82	11.68	12.54	13.39	14.25	15.11
60	2.43	3.36	4.28	5.21	6.13	7.06	7.98	8.91	9.84	10.76	11.69	12.61	13.54	14.47	15.39	16.32
64	2.61	3.60	4.60	5.59	6.59	7.58	8.58	9.57	10.57	11.56	12.55	13.55	14.54	15.54	16.53	17.53
68	2.79	3.85	4.92	5.98	7.04	8.11	9.17	10.23	11.29	12.36	13.42	14.48	15.55	16.61	17.67	18.74
72	2.97	4.10	5.23	6.37	7.50	8.63	9.76	10.89	12.02	13.15	14.29	15.42	16.55	17.68	18.81	19.94
76	3.15	4.35	5.55	6.75	7.95	9.15	10.35	11.55	12.75	13.95	15.15	16.35	17.55	18.75	19.95	21.15
80	3.33	4.60	5.87	7.14	8.41	9.67	10.94	12.21	13.48	14.75	16.02	17.29	18.56	19.83	21.09	22.36
84	3.51	4.85	6.19	7.52	8.86	10.20	11.54	12.87	14.21	15.55	16.89	18.22	19.56	20.90	22.24	23.57
88	3.69	5.10	6.50	7.91	9.32	10.72	12.13	13.53	14.94	16.35	17.75	19.16	20.56	21.97	23.38	24.78
92	3.87	5.35	6.82	8.30	9.77	11.24	12.72	14.19	15.67	17.14	18.62	20.09	21.57	23.04	24.52	25.99
96	4.05	5.59	7.14	8.68	10.22	11.77	13.31	14.85	16.40	17.94	19.48	21.03	22.57	24.11	25.66	27.20
100	4.23	5.84	7.45	9.07	10.68	12.29	13.90	15.51	17.13	18.74	20.35	21.96	23.57	25.19	26.80	28.41
104	4.41	6.09	7.77	9.45	11.13	12.81	14.49	16.17	17.86	19.54	21.22	22.90	24.58	26.26	27.94	29.62
108	4.59	6.34	8.09	9.84	11.59	13.34	15.09	16.84	18.58	20.33	22.08	23.83	25.58	27.33	29.08	30.83
112	4.77	6.59	8.41	10.22	12.04	13.86	15.68	17.50	19.31	21.13	22.95	24.77	26.58	28.40	30.22	32.04
116	4.95	6.84	8.72	10.61	12.50	14.38	16.27	18.16	20.04	21.93	23.81	25.70	27.59	29.47	31.36	33.25
120	5.13	7.09	9.04	11.00	12.95	14.91	16.86	18.82	20.77	22.73	24.68	26.64	28.59	30.55	32.5	34.46

WATER PENETRATION - 2410A / 2415A

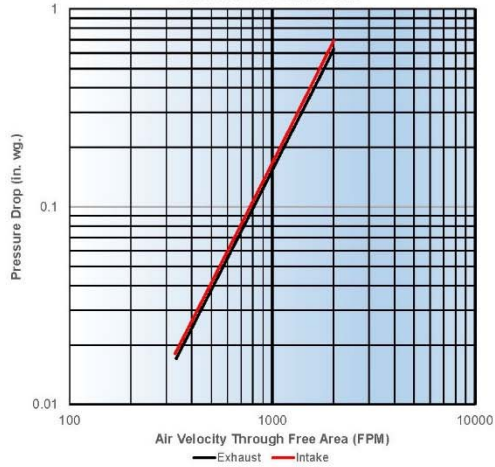
15 MINUTE DURATION, TEST SIZE 48" X



BEGINNING POINT OF WATER PENETRATION AT 0.01 oz/ft² FREE AREA IS 697

PRESSURE DROP 2410A / 2415A

FIGURE 5.5 TEST SIZE 48" X 48"



*TEST RESULTS DO NOT INCLUDE THE EFFECTS OF BIRDSCREEN
DATA CORRECTED TO STANDARD AIR DENSITY @ 0.075 LBS/CUBIC FT.

RECOMMENDED SPECIFICATION

Furnish and install stationary louver model 2410A / 2415A as manufactured by Ventex Inc, Alliston, Ontario. Louvers must be tested in accordance with AMCA 500-L. Louvers shall be 4" (102 mm) deep. Blades shall be 0.081" (2.06 mm) extruded 6063-T5 aluminum alloy and frame shall be 0.081" (2.06 mm) extruded 6063-T5 aluminum alloy. Louvers shall have 19 gauge galvanized 1/2" x 1/2" bird screen. All materials shall be factory finished after assembly with Polyester Powder Coat in a colour selected from the Ventex Colour Chart.

CERTIFIED RATINGS

Ventex Inc. certifies that the models 2410A / 2415A shown here are licensed to bear the AMCA Seal. The ratings shown are based on tests and procedures performed in accordance with AMCA Publication 511 and comply with the requirements of the AMCA Certified Ratings Program. The Certified Ratings Seal applies to air performance and water penetration ratings.

