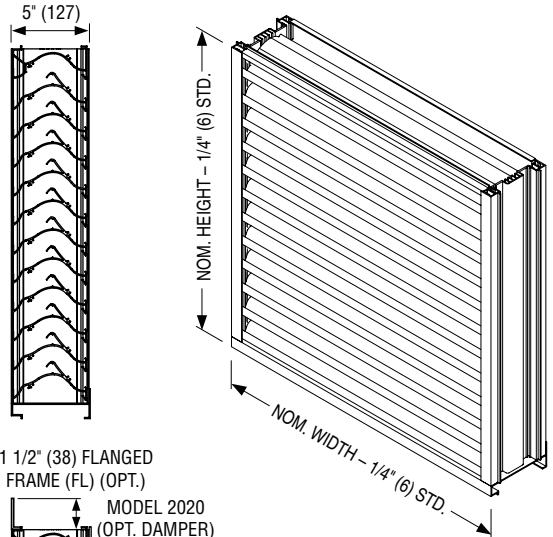


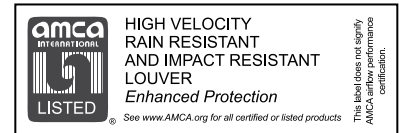
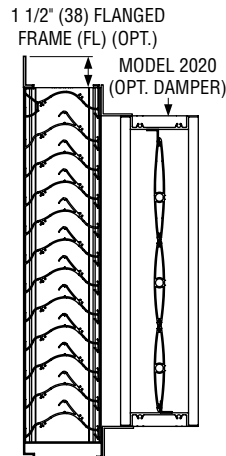
QUALIFICATIONS:

- Florida Product Approval Pending.
- Intertek Listed Building Product: Exterior Louvers.
- Tested in accordance with: TAS-201 (Large Missile Impact Test), TAS-202 (Uniform Static Air Pressure Test), TAS-203 (Cyclic Wind Pressure Loading Test).
- AMCA 500-L (Wind-Driven Rain, Water Penetration, Airflow).
- AMCA 540 (Wind-Borne Debris Impact Test [Enhanced "Level E" Protection]).
- AMCA 550 (High Velocity Wind-Driven Rain Resistance Test [with optional Model 2020 damper in closed position]).
- Wind load rating +/- 50 PSF (standard) (up to +/- 150 PSF dependent on size and configuration).



STANDARD CONSTRUCTION:

- FRAME:** 5" (127) deep, Type 6063-T6 extruded aluminum, .080" (2.03) nominal wall thickness. Integral downspouts and caulking slot provided.
- BLADES:** Type 6063-T6 extruded aluminum, .080" (2.03) nominal wall thickness, with reinforcing bosses.
- BLADE ANGLE:** Fixed at 30 degrees.
- BLADE SPACING:** 1.86" (47) on centers.
- BLADE SUPPORT:** Concealed type, factory installed on rear of louver. Size varies based on design pressure, consult Nailor.
- SCREEN:** 5/8" x .050 (15.9 x 1.27) expanded, flattened aluminum bird screen in removable frame, inside (rear) mount (adds approx. 3/8" [10] to louver depth).
- FINISH:** Mill.
- MINIMUM SIZE:** 12" W x 12" H (305 x 305).
- MAX. SINGLE SECTION SIZE:** 108" W x 84" H (2743 x 2134) or 84" W x 120" H (2134 x 3048). 63 – 70 sq. ft. (5.9 – 6.5 m²) (36" W x 120" H [914 x 3048] with optional Model 2020 damper). Larger louvers will require field assembly of smaller sections.



OVERALL MAXIMUM SIZE: Unlimited Width x 120" H (3048).

OPTIONS:

- | | | |
|---|---|---|
| <input type="checkbox"/> BSSS Type 304 S.S. Bird Screen. | <input type="checkbox"/> PC4 High Performance Powder Coat AAMA 2604 (Equivalent to 50% Kynar®). Color: _____ . | <input type="checkbox"/> ANDB Dark Bronze. |
| <input type="checkbox"/> BSN No Bird Screen. | <input type="checkbox"/> PC5 Fluoropolymer Powder Coat AAMA 2605 (Equivalent to 70% Kynar®). Color: _____ . | <input type="checkbox"/> ANBK Black. |
| <input type="checkbox"/> ISA Aluminum Insect Screen. | <input type="checkbox"/> PCC Prime Coat. | |
| <input type="checkbox"/> ISSS Type 304 S.S. Insect Screen. | <input type="checkbox"/> AN04 Clear Anodized 204-R1. | |
| <input type="checkbox"/> FL Flanged Frame. | <input type="checkbox"/> AN15 Clear Anodized 215-R1. | |
| <input type="checkbox"/> ESI Extended Sill. | <input type="checkbox"/> ANLB Light Bronze. | |
| <input type="checkbox"/> PASI Sill Pan. | <input type="checkbox"/> ANMB Medium Bronze. | |
| <input type="checkbox"/> Other: _____ . | | |
- OPTIONAL FINISHES:**
- PC3** Powder Coat AAMA 2603. Color: _____ .
- OPT. FACTORY MOUNTED 2020 CONTROL DAMPER:**
- Extruded Aluminum
 - Opposed Airfoil Blades
 - Concealed Linkage
 - Silicone Blade Seal
 - Cambered Stainless Steel Jamb Seals
 - 1/2" (13) Plated Steel Axles

SCHEDULE TYPE:	For Installation Instructions, see IOM-LOUVERINSTFPA.			
PROJECT:	Page 1 of 3 Dimensions are in inches (mm).			
ENGINEER:	DATE	B SERIES	SUPERSEDES	DRAWING NO.
CONTRACTOR:	4 - 9 - 19	1600F	NEW	1605WDF



EXTRUDED ALUMINUM STATIONARY LOUVER
FLORIDA PRODUCT APPROVAL PENDING
 WIND-DRIVEN RAIN RESISTANT • 5" (127) DEEP
 HORIZONTAL BLADE • PERFORMANCE DATA
MODEL: 1605WDF



AIRFLOW/WATER PENETRATION DATA
 for 48" x 48" (1219 x 1219) Louver Size

Free Area %		47%
Free Area sq. ft. (sq. m.)		7.59 (0.71)
I N T A K E	Free Area Velocity at Point of Beginning Water Penetration at .01 oz./sq. ft. (3 ml/sq. m) (15 min. test duration)	1250 fpm (381 m/min.)*
	Air Volume at 1250 fpm	9,488 cfm (4477 l/s)
	Free Area Velocity	
	Pressure Drop @ 1000 fpm	.22 in. w.g. (55 Pa)

NOTE: To minimize water penetration when sizing intake louvers, select a Free Area Velocity that is **below** the beginning point of water penetration.*Maximum Free Area Velocity tested is 1250 fpm. Beginning point of water penetration for this model is above 1250 fpm.

WIND DRIVEN RAIN PERFORMANCE

Core Ventilation	0	98	197	295	394	492	591	689
Rate in fpm (m/s)	(0.0)	(0.5)	(1.0)	(1.5)	(2.0)	(2.5)	(3.0)	(3.5)
Free Area Ventilation	0	206	419	628	838	1047	1257	1466
Rate in fpm (m/s)	(0.0)	(1.05)	(2.13)	(3.19)	(4.26)	(5.32)	(6.39)	(7.45)
Effectiveness Ratio (%)	100	100	100	100	100	99.6	99.5	99
Penetration Class	A	A	A	A	A	A	A	A

Test was based on a 39.375" x 39.375" (1.0 m x 1.0 m) core area louver tested at a rainfall rate of 3" per hour (76 mm/hour) with a wind velocity of **29 mph (13 m/s)**.

DISCHARGE LOSS COEFFICIENT CLASS (INTAKE): 3. (Discharge Loss Coefficient Classification is as follows: 1=0.4 and above, 2=0.3 to 0.399, 3 = 0.2 to 0.299, 4 = 0.199 and below.)

Core Ventilation	0	98	197	295	394	492	591	689
Rate in fpm (m/s)	(0.0)	(0.5)	(1.0)	(1.5)	(2.0)	(2.5)	(3.0)	(3.5)
Free Area Ventilation	0	206	419	628	838	1047	1257	1466
Rate in fpm (m/s)	(0.0)	(1.05)	(2.13)	(3.19)	(4.26)	(5.32)	(6.39)	(7.45)
Effectiveness Ratio (%)	100	99.6	99.3	99.2	98.6	98.1	97.7	96.4
Penetration Class	A	A	A	A	A	A	A	A

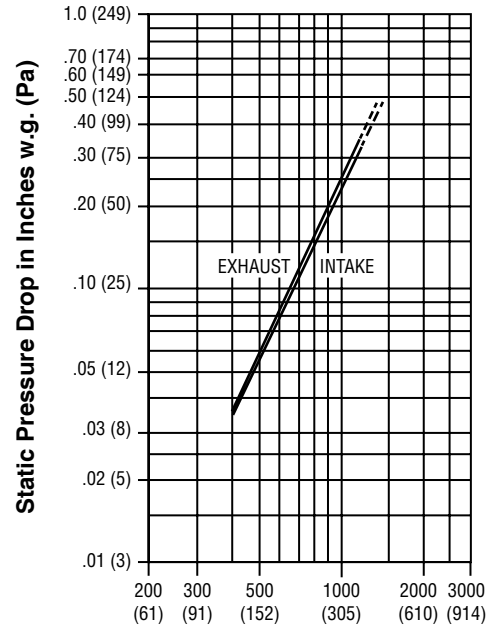
Test was based on a 39.375" x 39.375" (1.0 m x 1.0 m) core area louver tested at a rainfall rate of 8" per hour (203 mm/hour) with a wind velocity of **50 mph (22 m/s)**.

DISCHARGE LOSS COEFFICIENT CLASS (INTAKE): 3. (Discharge Loss Coefficient Classification is as follows: 1=0.4 and above, 2=0.3 to 0.399, 3 = 0.2 to 0.299, 4 = 0.199 and below.)



Safe-Air Dowco certifies the Model 1605WDF shown herein is licensed to bear the AMCA Seal. The ratings shown are based on tests and procedures performed in accordance with AMCA Publication 511 and comply with the requirements of the AMCA Certified Ratings Program. Seal applies to air performance, water penetration and wind driven rain performance ratings.

PRESSURE DROP



Air Velocity in Feet (Meters) Per Minute Through Free Area

Louver test size: 48" x 48" (1219 x 1219 mm).
 Standard air density @ 0.075 lbs/ft³.
 Tested to AMCA Fig. 5.5 – 6.5.



Safe-Air Dowco certifies that the 1605WDF shown herein is approved to bear the AMCA Listing Label. The ratings shown are based on tests and procedures performed in accordance with AMCA publications and comply with the requirements of the AMCA Listing Label Program. The AMCA Listing Label applies to Wind Borne Debris Impact Resistant Louvers. The AMCA Listing Label applies to High Velocity Wind Driven Rain Resistant Louvers.

SCHEDULE TYPE:	Page 2 of 3 Dimensions are in inches (mm).			
PROJECT:				
ENGINEER:	DATE	B SERIES	SUPERSEDES	DRAWING NO.
CONTRACTOR:	4 - 9 - 19	1600F	NEW	1605WDF

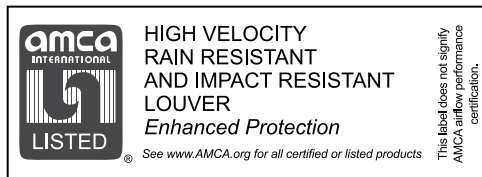


EXTRUDED ALUMINUM STATIONARY LOUVER
FLORIDA PRODUCT APPROVAL PENDING
WIND-DRIVEN RAIN RESISTANT • 5" (127) DEEP
HORIZONTAL BLADE • PERFORMANCE DATA
MODEL: 1605WDF



FREE AREA in Square Feet and Square Meters

		Width in Inches and Meters																
		12	18	24	30	36	42	48	54	60	66	72	78	84	90	96	102	108
		0.30	0.46	0.61	0.76	0.91	1.07	1.22	1.37	1.52	1.68	1.83	1.98	2.13	2.29	2.44	2.59	2.74
Height in Inches and Meters	12	0.27	0.43	0.60	0.76	0.93	1.09	1.26	1.42	1.59	1.75	1.92	2.08	2.25	2.41	2.58	2.74	2.91
	0.30	0.03	0.04	0.06	0.07	0.09	0.10	0.12	0.13	0.15	0.16	0.18	0.19	0.21	0.22	0.24	0.25	0.27
	18	0.47	0.76	1.05	1.34	1.63	1.92	2.20	2.49	2.78	3.07	3.36	3.65	3.94	4.23	4.51	4.80	5.09
	0.46	0.04	0.07	0.10	0.12	0.15	0.18	0.20	0.23	0.26	0.29	0.31	0.34	0.37	0.39	0.42	0.45	0.47
	24	0.74	1.19	1.65	2.10	2.56	3.01	3.46	3.92	4.37	4.82	5.28	5.73	6.19	6.64	7.09	7.55	8.00
	0.61	0.07	0.11	0.15	0.20	0.24	0.28	0.32	0.36	0.41	0.45	0.49	0.53	0.57	0.62	0.66	0.70	0.74
	30	0.94	1.52	2.10	2.68	3.25	3.83	4.41	4.99	5.56	6.14	6.72	7.30	7.87	8.45	9.03	9.61	10.18
	0.76	0.09	0.14	0.19	0.25	0.30	0.36	0.41	0.46	0.52	0.57	0.62	0.68	0.73	0.79	0.84	0.89	0.95
	36	1.15	1.85	2.55	3.25	3.95	4.65	5.35	6.05	6.76	7.46	8.16	8.86	9.56	10.26	10.96	11.66	12.37
	0.36	0.11	0.17	0.24	0.30	0.37	0.43	0.50	0.56	0.63	0.69	0.76	0.82	0.89	0.95	1.02	1.08	1.15
	42	1.35	2.17	3.00	3.82	4.65	5.47	6.30	7.12	7.95	8.77	9.60	10.42	11.25	12.07	12.90	13.72	14.55
	1.07	0.13	0.20	0.28	0.36	0.43	0.51	0.59	0.66	0.74	0.81	0.89	0.97	1.04	1.12	1.20	1.27	1.35
	48	1.62	2.61	3.60	4.59	5.58	6.57	7.59	8.55	9.54	10.53	11.52	12.51	13.5	14.49	15.48	16.47	17.46
	1.22	0.15	0.24	0.33	0.43	0.52	0.61	0.71	0.79	0.89	0.98	1.07	1.16	1.25	1.35	1.44	1.53	1.62
	54	1.82	2.93	4.05	5.16	6.27	7.39	8.50	9.62	10.73	11.84	12.96	14.07	15.18	16.30	17.41	18.53	19.64
	1.37	0.17	0.27	0.38	0.48	0.58	0.69	0.79	0.89	1.00	1.10	1.20	1.31	1.41	1.51	1.62	1.72	1.82
	60	2.02	3.26	4.50	5.73	6.97	8.21	9.45	10.68	11.92	13.16	14.40	15.63	16.87	18.11	19.35	20.58	21.82
	1.52	0.19	0.30	0.42	0.53	0.65	0.76	0.88	0.99	1.11	1.22	1.34	1.45	1.57	1.68	1.80	1.91	2.03
	66	2.22	3.58	4.95	6.31	7.67	9.03	10.39	11.75	13.11	14.47	15.84	17.2	18.56	19.92	21.28	22.64	24.00
	1.68	0.21	0.33	0.46	0.59	0.71	0.84	0.97	1.09	1.22	1.34	1.47	1.60	1.72	1.85	1.98	2.10	2.23
72	2.49	4.02	5.55	7.07	8.60	10.12	11.65	13.18	14.70	16.23	17.76	19.28	20.81	22.33	23.86	25.39	26.91	
1.83	0.23	0.37	0.52	0.66	0.80	0.94	1.08	1.22	1.37	1.51	1.65	1.79	1.93	2.07	2.22	2.36	2.50	
78	2.7	4.35	6.00	7.65	9.30	10.95	12.6	14.25	15.90	17.55	19.20	20.85	22.5	24.15	25.80	27.45	29.10	
1.98	0.25	0.40	0.56	0.71	0.86	1.02	1.17	1.32	1.48	1.63	1.78	1.94	2.09	2.24	2.40	2.55	2.70	
84	2.9	4.67	6.44	8.22	9.99	11.77	13.54	15.31	17.09	18.86	20.63	22.41	24.18	25.96	27.73	29.5	31.28	
2.13	0.27	0.43	0.60	0.76	0.93	1.09	1.26	1.42	1.59	1.75	1.92	2.08	2.25	2.41	2.58	2.74	2.91	
90	3.10	5.00	6.89	8.79	10.69	12.59	14.48	16.38	18.28	20.18	22.07	23.97	25.87	27.77	29.67	31.57	33.47	
2.29	0.29	0.46	0.64	0.82	0.99	1.17	1.35	1.52	1.70	1.87	2.05	2.23	2.40	2.58	2.76	2.94	3.12	
96	3.30	5.32	7.34	9.37	11.39	13.41	15.43	17.45	19.47	21.49	23.51	25.54	27.56	29.58	31.60	33.62	35.64	
2.44	0.31	0.49	0.68	0.87	1.06	1.25	1.43	1.62	1.81	2.00	2.18	2.37	2.56	2.74	2.93	3.11	3.30	
102	3.57	5.76	7.94	10.13	12.32	14.50	16.69	18.87	21.06	23.25	25.43	27.62	29.81	31.99	34.18	36.37	38.55	
2.59	0.33	0.53	0.74	0.94	1.14	1.35	1.55	1.75	1.96	2.16	2.36	2.57	2.77	2.97	3.17	3.37	3.57	
108	3.77	6.08	8.39	10.70	13.01	15.32	17.63	19.94	22.25	24.56	26.87	29.18	31.49	33.80	36.11	38.42	40.73	
2.74	0.35	0.57	0.78	0.99	1.21	1.42	1.64	1.85	2.07	2.28	2.49	2.70	2.91	3.12	3.33	3.54	3.75	
114	3.98	6.41	8.84	11.28	13.71	16.14	18.58	21.01	23.45	25.88	28.31	30.75	33.18	35.61	38.04	40.47	42.90	
2.90	0.37	0.60	0.82	1.05	1.27	1.50	1.73	1.95	2.18	2.40	2.63	2.86	3.08	3.31	3.54	3.77	4.00	
120	4.18	6.73	9.29	11.85	14.41	16.96	19.52	22.08	24.64	27.19	29.75	32.31	34.87	37.43	39.99	42.55	45.11	
3.05	0.39	0.63	0.86	1.10	1.34	1.58	1.81	2.05	2.29	2.53	2.76	3.00	3.24	3.48	3.72	3.96	4.20	



This label does not signify AMCA airflow performance certification.

SCHEDULE TYPE:	Page 3 of 3 Dimensions are in inches (mm).			
PROJECT:				
ENGINEER:	DATE	B SERIES	SUPERSEDES	DRAWING NO.
CONTRACTOR:	4 - 9 - 19	1600F	NEW	1605WDF