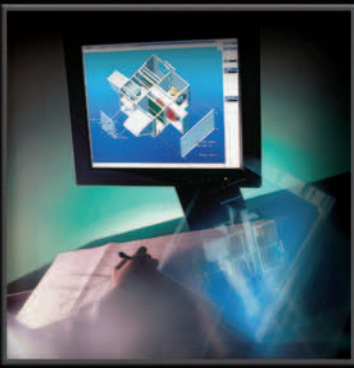


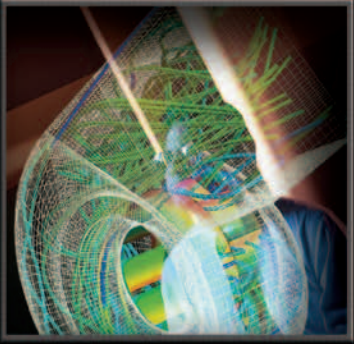
PROPELLER INLINE



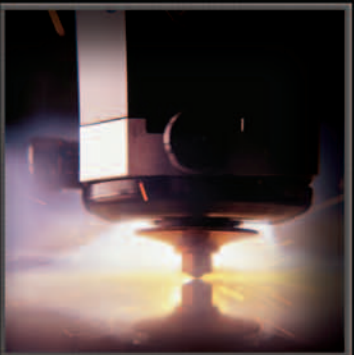
COOK



Loren Cook Company is proud to be the world leader of industrial and commercial fans and blowers. With a commitment of over 60 years, Loren Cook Company believes in superior quality and phenomenal service. This was true in 1941 when we began and it's still true today.



In addition, our globally respected ISO 9001 Certification has positioned Loren Cook Company at the very forefront of manufacturing excellence within our industry. With ISO 9001 Certification, Cook customers can be assured our products are built to the highest quality levels in the industry. We recognize that when you design a system and specify equipment, the quality and reliability of our products are critical to your reputation and future success.



Furthermore, Cook stands behind every product we build with the most comprehensive engineering program in the industry. You can count on Loren Cook Company to support you, from our acclaimed fan selection software and electronic catalogs to our friendly, knowledgeable customer service staff.



Our investment in manufacturing is paramount. Cook is committed to acquiring state-of-the-art machinery and equipment, as well as skilled employees who take pride in what they build. Staying at the very forefront of technology and expertise is a responsibility Cook will never ignore.

Rest assured our commitment doesn't stop there. Our packaging standards are scrutinized as well. All Loren Cook Company products are shipped in ISTA Certified Transit Test Packaging. This insures your product arrives in perfect condition.

Cook also has the most experienced representatives in the business. With an impressive education and training center, situated in the headquarters of Cook, our reps undergo thorough hands-on training in product application and develop a diverse knowledge of our extensive product line. Specifying engineers and contractors can place their confidence in the expertise, credibility and professionalism our rep force promotes.

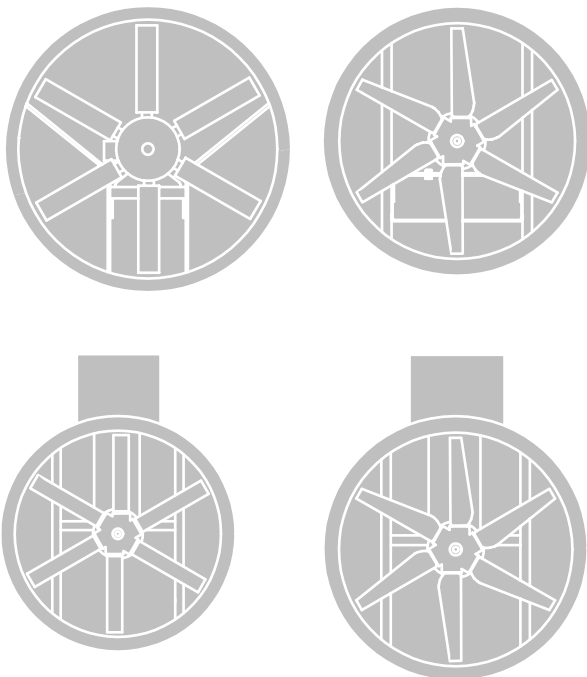
Loren Cook Company is proud to have served our industry so well for three generations and we're motivated to continue in this tradition of being the best at what we do. With over 1,000 employees, we are proud to acknowledge them as a source of our success. Innovation, skill and a profound commitment to our employees, representatives and our products are equal parts to the equation of our success.



MANUFACTURERS OF VENTILATION EQUIPMENT

Propeller Inline

Tube Axial Fans



| Page | |
|--|-------|
| Introduction | 2 |
| Standard Construction Features | 3-4 |
| TIB Application Information | 5 |
| Specifications and Dimension Data | |
| TID (Direct Drive) | 6 |
| TIB (Belt Drive) | 7 |
| ADD (Direct Drive) | 8 |
| ADB (Belt Drive) | 9 |
| EDD (Direct Drive) | 10 |
| EDB (Belt Drive) | 11 |
| Installation/Mounting | 12 |
| Accessories | 13 |
| Performance Data | |
| 20-60 TID | 14 |
| 20-60 TIB | 15-17 |
| 12-24 ADD | 18 |
| 16-48 ADB | 18-19 |
| 24-48 EDD | 20-24 |
| 24-60 EDB | 25-28 |

INTRODUCTION

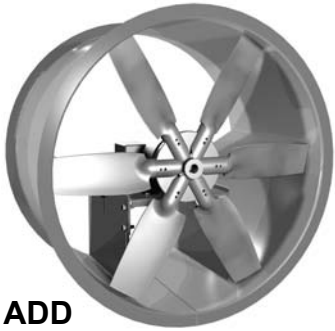
Loren Cook Propeller Inline Fans, TID, TIB, ADD, ADB, EDD, and EDB are designed to be easily mounted in any orientation in either ducted or non-ducted systems. All units include integral inlet and outlet flanges for direct in-line mounting. The units are produced in an ISO 9001 certified facility and are listed by Underwriters Laboratories (UL 705) and UL Listed for Canada (cUL 705).



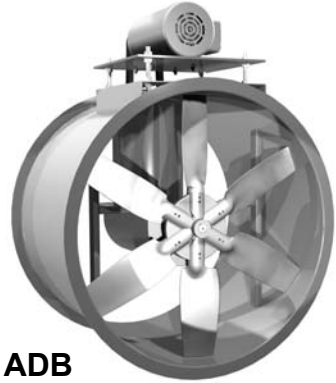
TID



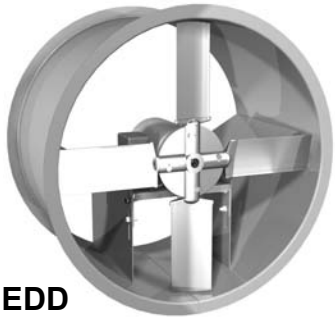
TIB



ADD



ADB



EDD



EDB

- TIB & TID utilize the **COOK Triton** steel propeller.
- TID is a direct drive unit available in 8 sizes from 20 to 60 inches. Performance ranges from 2,700 to 64,000 CFM, with static pressures from 0 to 1 inch.
- TIB is a belt drive unit available in 9 sizes from 20 to 72 inches. Performance ranges from 2,800 to 98,000 CFM, with static pressures from 0 to 1.25 inches.
- TIB is available with UL/cUL listing for "Power Ventilator for Smoke Control Systems".
- ADD and ADB utilize the **COOK "A Series"** cast aluminum airfoil propeller.
- ADD is a direct drive unit available in 4 sizes from 12 to 24 inches. Performance ranges from 300 to 8,000 CFM, with static pressures from 0 to 1/2 inches.
- ADB is a belt drive unit available in 7 sizes from 16 to 48 inches. Performance ranges from 1,600 to 38,000 CFM, with static pressures from 0 to 1/2 inches.
- EDD and EDB utilize the **COOK "E series"** extruded aluminum airfoil propeller.
- EDB is licensed to bear the AMCA Certified Ratings Seal for Air Performance.
- EDD is a direct drive unit available in 5 sizes from 24 to 48 inches. Performance ranges from 1,800 to 44,000 CFM, with static pressures from 0 to 1 inches.
- EDB is a belt drive unit available in 7 sizes from 24 to 60 inches. Performance ranges from 3,400 to 73,000 CFM, with static pressures from 0 to 1 inches.



“Triton Series” – Steel Propeller

- Designed using Computational Fluid Dynamics (CFD) and Finite Element Analysis (FEA) to provide optimum air flow, efficiency, quality and durability.
- Constructed of heavy gauge steel components in a fully welded assembly.
- Designed for large volumes of air at medium pressure levels.
- Statically and dynamically balanced for vibration free operation.



“A Series” – Cast Aluminum Airfoil Propeller

- Designed for heavy commercial or industrial applications where large volumes of air are required at low static pressures.
- Constructed of heavy gauge aluminum with 6 cast blades and a cast hub.
- Blade pitch is determined at the factory and the blades are locked into place with roll pins.
- Statically and dynamically balanced for vibration free operation.



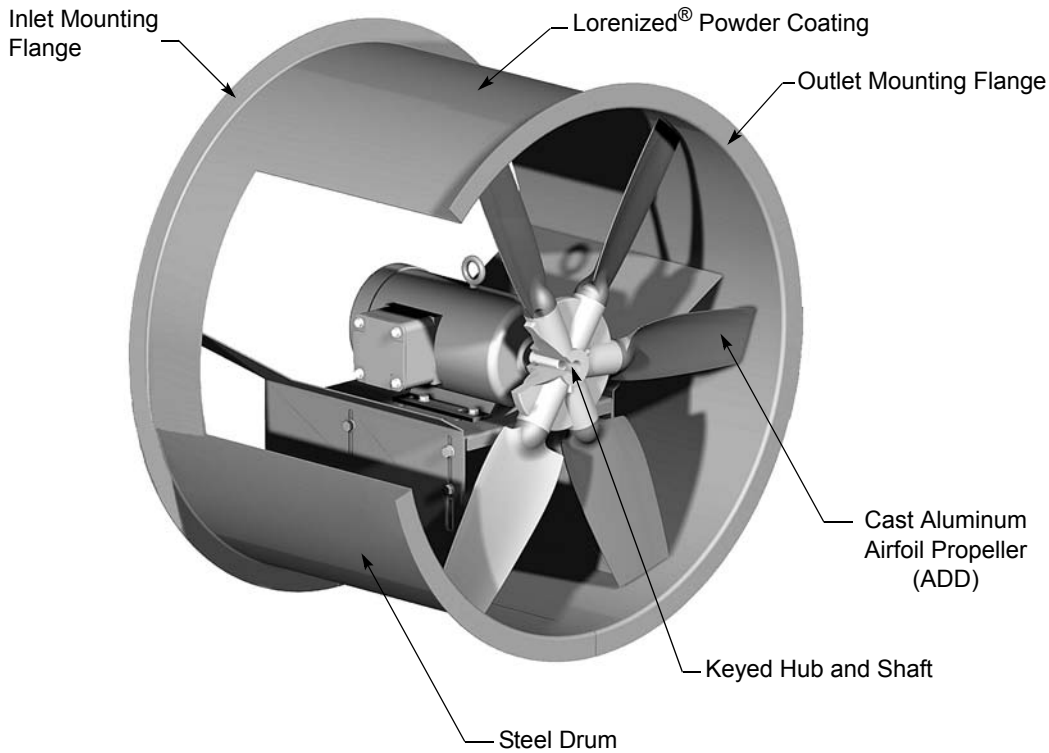
“E Series” – Extruded Aluminum Airfoil Propeller

- Designed for use where higher static pressures are required.
- Constructed with 4 or 6 extruded aluminum airfoil blades and mounted in a cast aluminum hub.
- Blade pitch is determined at the factory and the blades are locked into place with roll pins.
- “E Series” airfoil blade has a non-overloading characteristic such as is found in a centrifugal type wheel.
- Statically and dynamically balanced for vibration free operation.

STANDARD CONSTRUCTION FEATURES

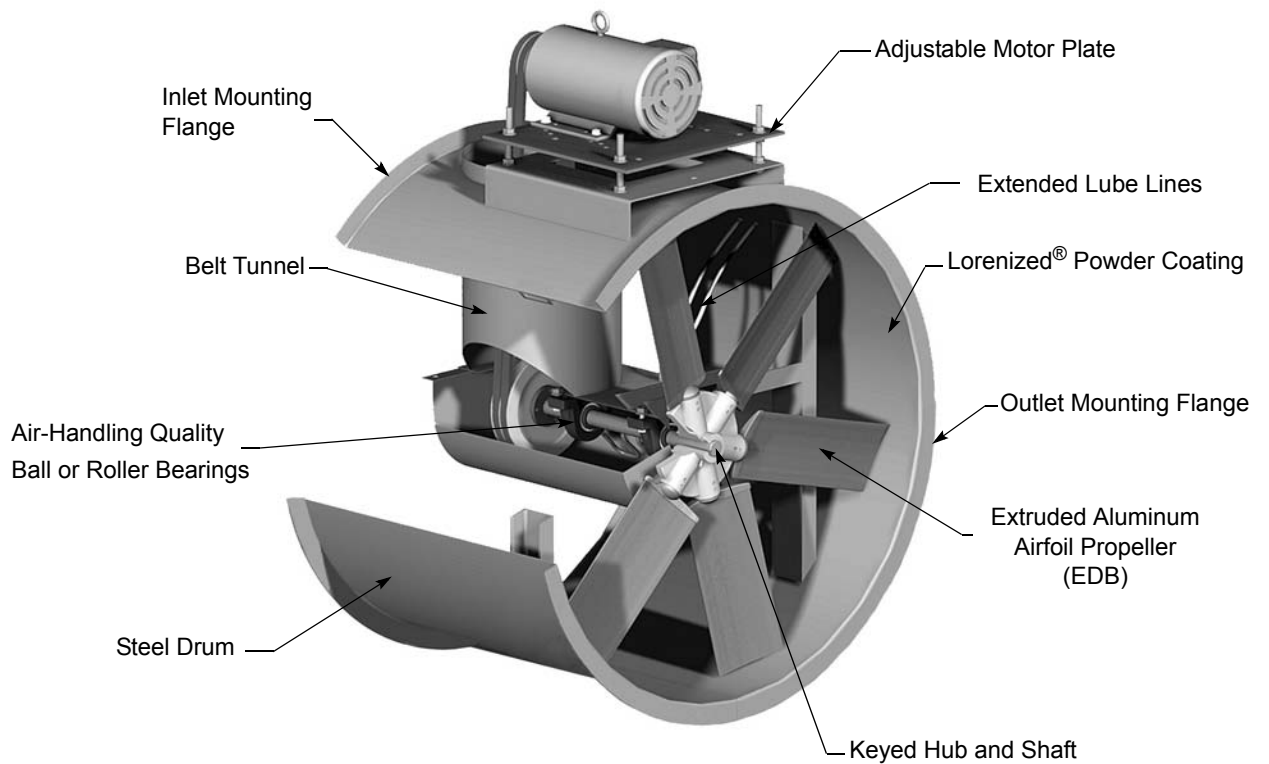
Direct Drive

ADD, EDD, TID
(ADD Shown)



Belt Drive

ADB, EDB, TIB
(EDB Shown)

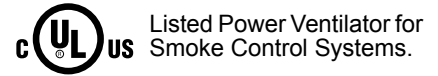


The UL listing “Power Ventilator for Smoke Control Systems” is a test procedure and category which was initiated by Loren Cook Company and developed in a joint effort with UL in 1990. Several different sources were used in the definition of the test procedure. These sources include UL Standards 705, 762, 793, Southern Building Code Congress International (SBCCI) Standard Fire Prevention Code/1988, and Industrial Risk Insurers (IRI) Document E2.

Requirements for UL listing “Power Ventilator for Smoke Control Systems”

- The unit must withstand 500°F airstream temperature for a minimum of four hours (IRI) and withstand 1000°F for a minimum of 15 minutes (SBCCI).
- The unit must be listed under UL 705.

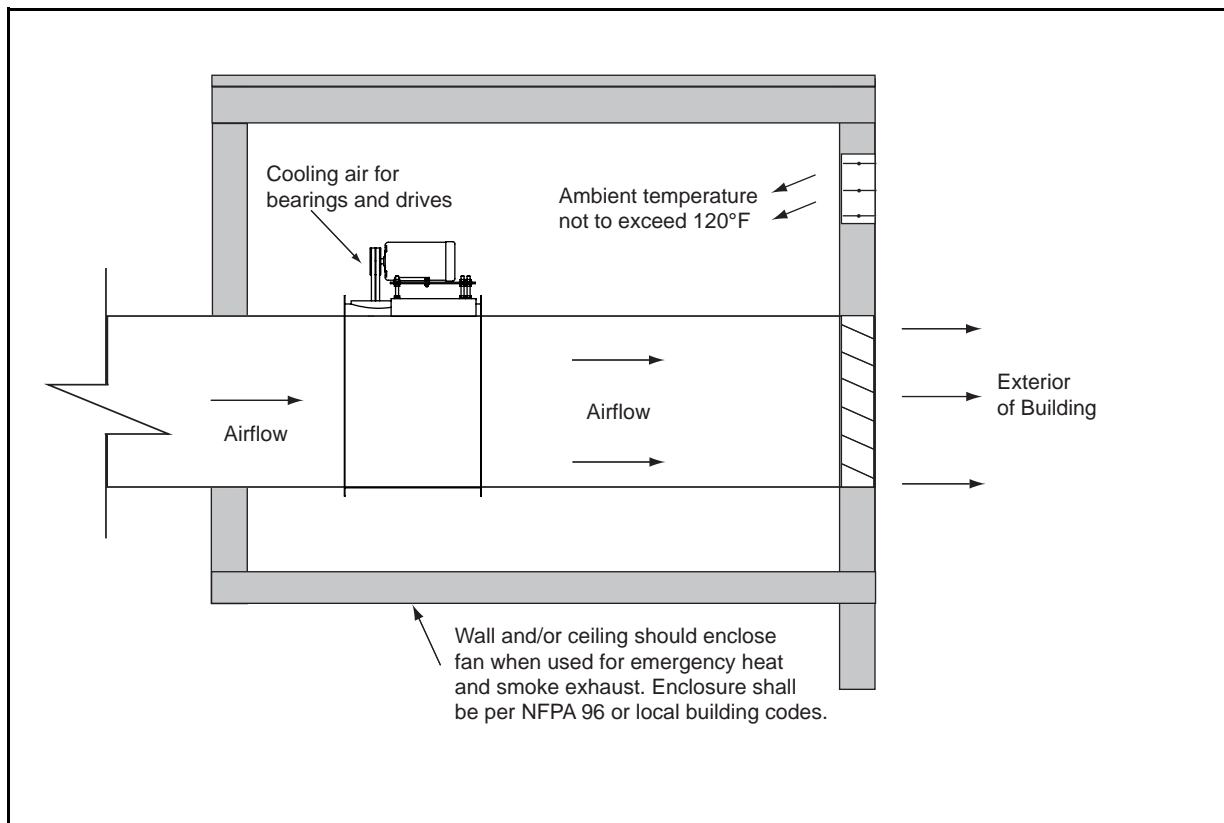
TIB Smoke Control Ventilator



- High Temperature Upblast Propeller Roof Fan listed by UL as “Power Ventilator for Smoke Control Systems” at 500° F for 4 hours, and at 1,000° F for 15 minutes.
- TIB available in 9 belt drive sizes from 20 to 72 inches. Performance ranges from 2,800 to 98,000 CFM, with static pressures from 0 to 1 inches.


See page 13 for listing of required accessories

UL Power Ventilator for Smoke Control Typical Application



Tube Axial Fan High Pressure Triton Steel Propeller Direct Drive



 Type TID is furnished standard with UL 705 & cUL 705 listing (Power Ventilator/ZACT).

Description - Fan shall be a tube axial, direct drive, steel propeller fan.

Certifications - Fan shall be manufactured at an ISO 9001 certified facility. Fan shall be listed by Underwriters Laboratories (UL 705) and UL listed for Canada (cUL 705).

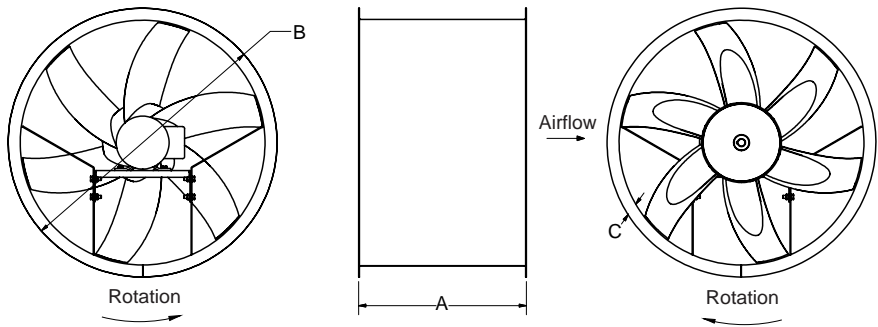
Construction - Fan shall be of welded and bolted construction utilizing corrosion resistant fasteners. The steel drum shall be constructed of minimum 14 gauge steel with integral flanges on both inlet and outlet. Unit shall bear an engraved aluminum nameplate and shall be shipped in ISTA Certified Transit Tested Packaging.

Coating - All steel fan components shall be Lorenized® with an electrostatically applied, baked polyester powder coating. Each component shall be subject to a five stage environmentally friendly wash system, followed by a minimum 2 mil thick baked powder finish. Paint must exceed 1,000 hours salt spray under ASTM B117 test method.

Propeller - Propeller shall be a high efficiency fabricated steel design with blades securely fastened to a minimum 7 gauge hub. The hub shall be keyed and locked to the shaft utilizing two set screws or a taper lock bushing. Propeller shall be balanced in accordance with AMCA Standard 204-96, Balance Quality and Vibration Levels for Fans.

Motor - Motor shall be heavy duty type with permanently lubricated sealed bearings and furnished at the specified voltage, phase and enclosure.

Product - Fan shall be type TID as manufactured by Loren Cook Company of Springfield, Missouri.



TID Dimension Data

| Size | A | B | C | Drum Gauge | Ship Wt. |
|------|----|--------|-------|------------|----------|
| 20 | 19 | 23-1/2 | 1-1/2 | 14 ga. | 90 |
| 24 | 19 | 27-1/2 | 1-1/2 | 12 ga. | 115 |
| 30 | 25 | 33-1/2 | 1-1/2 | 12 ga. | 165 |
| 36 | 25 | 39-1/2 | 1-1/2 | 12 ga. | 190 |
| 42 | 30 | 45-3/4 | 1-5/8 | 10 ga. | 310 |
| 48 | 31 | 52-3/4 | 2-1/8 | 10 ga. | 395 |
| 54 | 41 | 58-3/4 | 2-1/8 | 10 ga. | 500 |
| 60 | 42 | 64-3/4 | 2-1/8 | 10 ga. | 630 |

All dimensions in inches. Weight in pounds, including standard ODP motor.

Tube Axial Fan High Pressure Triton Steel Propeller Belt Drive



Description - Fan shall be a tube axial, belt driven, steel propeller fan.

Certifications - Fan shall be manufactured at an ISO 9001 certified facility. Fan shall be listed by Underwriters Laboratories (UL 705) and UL listed for Canada (cUL 705). For smoke control applications, fan shall be listed by Underwriters Laboratories (Power Ventilator for Smoke Control Systems) for US and Canada. Fan shall bear the AMCA Certified Ratings Seal for Air Performance.

Construction - Fan shall be of welded and bolted construction utilizing corrosion resistant fasteners. The steel drum shall be constructed of minimum 14 gauge steel with integral flanges on both inlet and outlet. External lubrication lines shall be furnished for lubrication of fan bearings. Adjustable motor plate shall use threaded studs for positive belt tensioning and alignment. Unit shall bear an engraved aluminum nameplate and shall be shipped in ISTA Certified Transit Tested Packaging.

Coating - All steel fan components shall be Lorenized® with an electrostatically applied, baked polyester powder coating. Each component shall be subject to a five stage environmentally friendly wash system, followed by a minimum 2 mil thick baked powder finish. Paint must exceed 1,000 hour salt spray under ASTM B117 test method.

Propeller - Propeller shall be a high efficiency fabricated steel design with blades securely fastened to a minimum 7 gauge hub. The hub shall be keyed and locked to the shaft utilizing two set screws or a taper lock bushing. Propeller shall be balanced in accordance with AMCA Standard 204-96, Balance Quality and Vibration Levels for Fans.

Motor - Motor shall be heavy duty type with permanently lubricated sealed bearings and furnished at the specified voltage, phase and enclosure.

Bearings - Bearings shall be designed and individually tested specifically for use in air handling applications. Construction shall be heavy duty regreasable ball type in a cast iron housing selected for a minimum L50 life in excess of 200,000 hours at maximum cataloged operating speed.

Belts and Drives- Belts shall be oil and heat resistant, non-static type. Drives shall be precision machined cast iron type, keyed and securely attached to the wheel and motor shafts. Drives shall be sized for 150 percent of the installed motor horsepower. The variable pitch motor drive must be factory set to the specified fan RPM.

Product - Fan shall be type TIB as manufactured by Loren Cook Company of Springfield, Missouri.



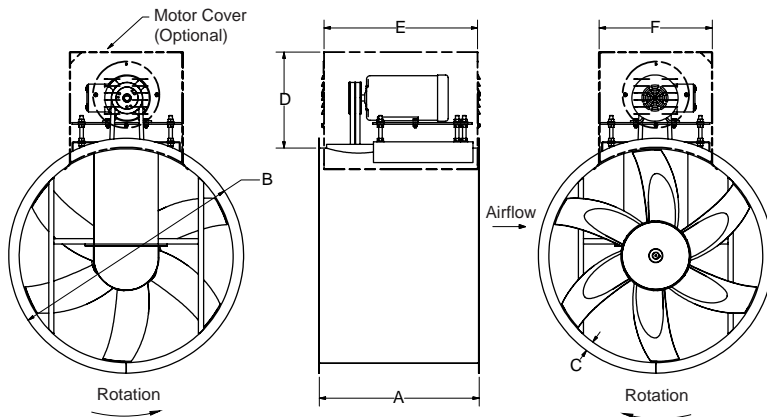
Loren Cook Company certifies that the TIB shown herein is licensed to bear the AMCA Seal. The ratings shown are based on tests and procedures performed in accordance with AMCA Publication 211 and comply with the requirements of the AMCA Certified Ratings Program. TIB performance ratings shown on pages 14-16.



Type TIB is furnished standard with UL 705 & cUL 705 listing (Power Ventilator/ZACT) when furnished with factory supplied motor.



Type TIB is available with UL listing for "Power Ventilator for Smoke Control Systems."

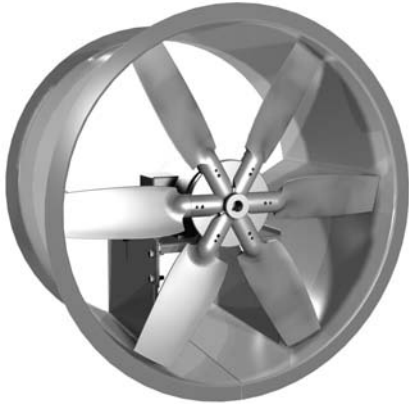



TIB Dimension Data

| Size | A | B | C | D | E | F | Drum Gauge | Ship Wt. |
|------|----|--------|-------|--------|----|---------|------------|----------|
| 20 | 20 | 19-1/2 | 1-1/2 | 11-3/8 | 15 | 12-7/16 | 14 ga. | 90 |
| 24 | 21 | 27-1/2 | 1-1/2 | 14-1/8 | 20 | 16-1/8 | 12 ga. | 147 |
| 30 | 25 | 33-1/2 | 1-1/2 | 19-1/8 | 22 | 18-1/8 | 12 ga. | 224 |
| 36 | 30 | 39-1/2 | 1-1/2 | 18-3/4 | 25 | 21-1/8 | 12 ga. | 315 |
| 42 | 31 | 45-3/4 | 1-5/8 | 19-3/8 | 29 | 21-1/8 | 10 ga. | 390 |
| 48 | 33 | 52-3/4 | 2-1/8 | 19-3/4 | 31 | 21-1/8 | 10 ga. | 470 |
| 54 | 38 | 58-3/4 | 2-1/8 | 24-1/4 | 35 | 24-1/8 | 10 ga. | 585 |
| 60 | 41 | 64-3/4 | 2-1/8 | 24-1/4 | 35 | 24-1/8 | 10 ga. | 705 |
| 72 | 48 | 76-3/4 | 2-1/8 | 27 | 35 | 24-1/8 | 10 ga. | 905 |

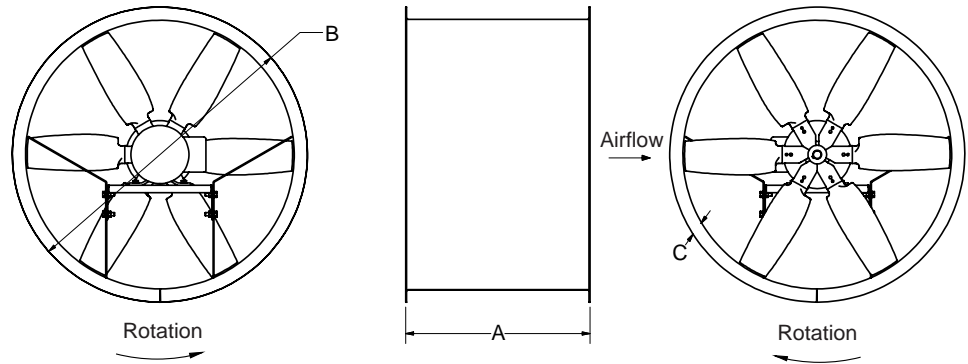
All dimensions in inches. Weight in pounds, less motor.

Tube Axial Fan Cast Aluminum Propeller Direct Drive



 Type ADD is furnished standard with UL 705 & cUL 705 listing (Power Ventilator/ZACT).

- Description** - Fan shall be a tube axial, direct drive, cast aluminum airfoil propeller fan.
- Certifications** - Fan shall be manufactured at an ISO 9001 certified facility. Fan shall be listed by Underwriters Laboratories (UL 705) and UL listed for Canada (cUL 705).
- Construction** - Fan shall be of welded and bolted construction utilizing corrosion resistant fasteners. The steel drum shall be constructed of minimum 14 gauge steel with integral flanges on both inlet and outlet. Unit shall bear an engraved aluminum nameplate and shall be shipped in ISTA Certified Transit Tested Packaging.
- Coating** - All steel fan components shall be Lorenized® with an electrostatically applied, baked polyester powder coating. Each component shall be subject to a five stage environmentally friendly wash system, followed by a minimum 2 mil thick baked powder finish. Paint must exceed 1,000 hour salt spray under ASTM B117 test method.
- Propeller** - Propeller shall be cast aluminum airfoil design with cast aluminum hub. The blade pitch shall be factory set and locked using set screws and roll pin. The hub shall be keyed and locked to the shaft utilizing two set screws or a taper lock bushing. Propeller shall be balanced in accordance with AMCA Standard 204-96, Balance Quality and Vibration Levels for Fans.
- Motor** - Motor shall be heavy duty type with permanently lubricated sealed ball bearings and furnished at the specified voltage, phase and enclosure.
- Product** - Fan shall be type ADD as manufactured by Loren Cook Company of Springfield, Missouri.



ADD Dimension Data

| Size | A | B | C | Drum Gauge | Ship Wt. |
|------|----|--------|-------|------------|----------|
| 12 | 16 | 15-1/2 | 1-1/2 | 14 ga. | 76 |
| 16 | 16 | 19-1/2 | 1-1/2 | 14 ga. | 90 |
| 20 | 19 | 23-1/2 | 1-1/2 | 14 ga. | 120 |
| 24 | 19 | 27-1/2 | 1-1/2 | 12 ga. | 173 |

All dimensions in inches. Weight in pounds, including standard ODP motor.

Tube Axial Fan Cast Aluminum Propeller Belt Drive



Description - Fan shall be a tube axial, belt driven, cast aluminum airfoil blade propeller fan.

Certifications - Fan shall be manufactured at an ISO 9001 certified facility. Fan shall be listed by Underwriters Laboratories (UL 705) and UL listed for Canada (cUL 705).

Construction - Fan shall be of welded and bolted construction utilizing corrosion resistant fasteners. The steel drum shall be constructed of minimum 14 gauge steel with integral flanges on both inlet and outlet. External lubrication lines shall be furnished for lubrication of fan bearings. Adjustable motor plate shall use threaded studs for positive belt tensioning and alignment. Unit shall bear an engraved aluminum nameplate and shall be shipped in ISTA Certified Transit Tested Packaging.

Coating - All steel fan components shall be Lorenized® with an electrostatically applied, baked polyester powder coating. Each component shall be subject to a five stage environmentally friendly wash system, followed by a minimum 2 mil thick baked powder finish. Paint must exceed 1,000 hour salt spray under ASTM B117 test method.

Propeller - Propeller shall be cast aluminum airfoil design with cast aluminum hub. The blade pitch shall be factory set and locked using set screws and roll pin. The hub shall be keyed and locked to the shaft utilizing two set screws or a taper lock bushing. Propeller shall be balanced in accordance with AMCA Standard 204-96, Balance Quality and Vibration Levels for Fans.

Motor - Motor shall be heavy duty type with permanently lubricated sealed bearings and furnished at the specified voltage, phase and enclosure.

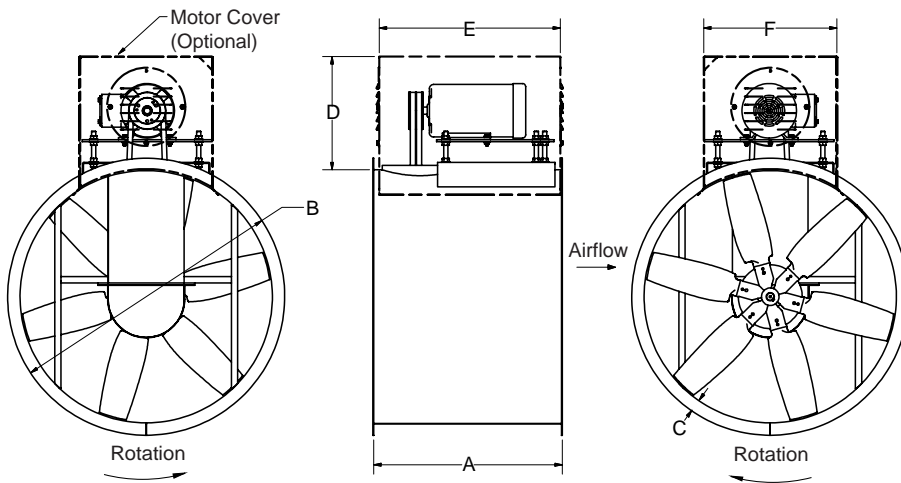
Bearings - Bearings shall be designed and individually tested specifically for use in air handling applications. Construction shall be heavy duty regreasable ball type in a cast iron housing selected for a minimum L50 life in excess of 200,000 hours at maximum cataloged operating speed.



Type ADB is furnished standard with UL 705 & cUL 705 listing (Power Ventilator/ZACT) when furnished with factory supplied motor.

Belts and Drives- Belts shall be oil and heat resistant, non-static type. Drives shall be precision machined cast iron type, keyed and securely attached to the wheel and motor shafts. Drives shall be sized for 150 percent of the installed motor horsepower. The variable pitch motor drive must be factory set to the specified fan RPM.

Product - Fan shall be type ADB as manufactured by Loren Cook Company of Springfield, Missouri.

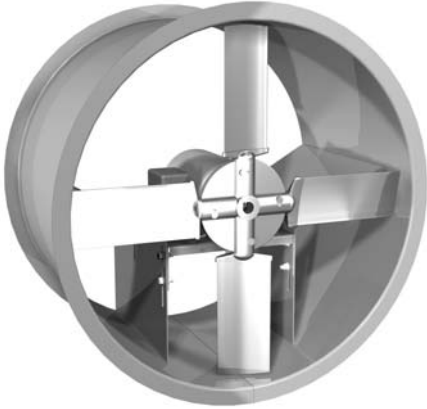



ADB Dimension Data

| Size | A | B | C | D | E | F | Drum Gauge | Ship Wt. |
|------|----|--------|-------|--------|----|---------|------------|----------|
| 16 | 16 | 19-1/2 | 1-1/2 | 11-3/8 | 15 | 12-7/16 | 14 ga. | 90 |
| 20 | 20 | 23-1/2 | 1-1/2 | 13-3/8 | 17 | 14-1/8 | 14 ga. | 110 |
| 24 | 21 | 27-1/2 | 1-1/2 | 14-1/8 | 20 | 16-1/8 | 12 ga. | 147 |
| 30 | 25 | 33-1/2 | 1-1/2 | 19-1/8 | 22 | 18-1/8 | 12 ga. | 224 |
| 36 | 30 | 39-1/2 | 1-1/2 | 18-3/4 | 25 | 21-1/8 | 12 ga. | 315 |
| 42 | 31 | 45-3/4 | 1-5/8 | 19-3/8 | 29 | 21-1/8 | 10 ga. | 390 |
| 48 | 33 | 52-3/4 | 2-1/8 | 19-3/4 | 31 | 21-1/8 | 10 ga. | 470 |

All dimensions in inches. Weight in pounds, less motor.

Tube Axial Fan Extruded Aluminum Propeller Direct Drive



 Type EDD is furnished standard with UL 705 & cUL 705 listing (Power Ventilator/ZACT).

Description - Fan shall be a tube axial, direct drive, extruded aluminum blade airfoil propeller fan.

Certifications - Fan shall be manufactured at an ISO 9001 certified facility. Fan shall be listed by Underwriters Laboratories (UL 705) and UL listed for Canada (cUL 705).

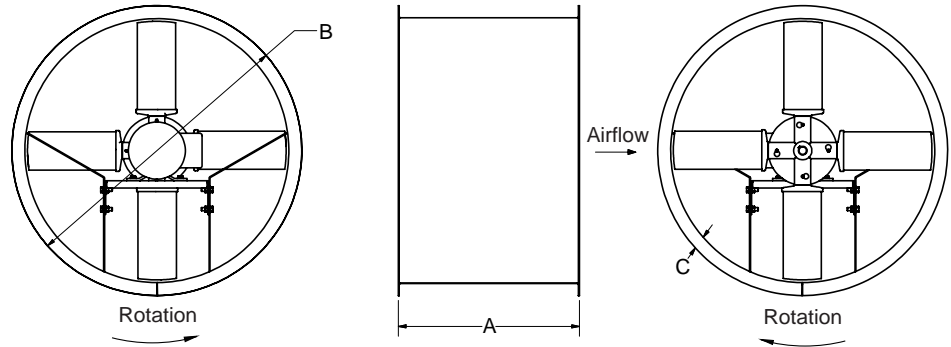
Construction - Fan shall be of welded and bolted construction utilizing corrosion resistant fasteners. The steel drum shall be constructed of minimum 12 gauge steel with integral flanges on both inlet and outlet. Unit shall bear an engraved aluminum nameplate and shall be shipped in ISTA Certified Transit Tested Packaging.

Coating - All steel fan components shall be Lorenized® with an electrostatically applied, baked polyester powder coating. Each component shall be subject to a five stage environmentally friendly wash system, followed by a minimum 2 mil thick baked powder finish. Paint must exceed 1,000 hours salt spray under ASTM B117 test method.

Propeller - Propeller shall be extruded aluminum airfoil design with cast aluminum hub. The blade pitch shall be factory set and locked using set screws and roll pin. The hub shall be keyed and locked to the shaft utilizing two set screws or a taper lock bushing. Propeller shall be balanced in accordance with AMCA Standard 204-96, Balance Quality and Vibration Levels for Fans.

Motor - Motor shall be heavy duty type with permanently lubricated sealed bearings and furnished at the specified voltage, phase and enclosure.

Product - Fan shall be type EDD as manufactured by Loren Cook Company of Springfield, Missouri.



EDD Dimension Data

| Size | A | B | C | Drum Gauge | Ship Wt. |
|------|----|--------|-------|------------|----------|
| 24 | 19 | 27-1/2 | 1-1/2 | 12 ga. | 115 |
| 30 | 25 | 33-1/2 | 1-1/2 | 12 ga. | 165 |
| 36 | 25 | 39-1/2 | 1-1/2 | 12 ga. | 190 |
| 42 | 30 | 45-3/4 | 1-5/8 | 10 ga. | 310 |
| 48 | 31 | 52-3/4 | 2-1/8 | 10 ga. | 395 |

All dimensions in inches. Weight in pounds, including standard ODP motor.

**Tube Axial Fan
Extruded Aluminum Propeller
Belt Drive**

Description - Fan shall be a tube axial, belt driven, extruded aluminum airfoil blade propeller fan.

Certifications - Fan shall be manufactured at an ISO 9001 certified facility. Fan shall be listed by Underwriters Laboratories (UL 705) and UL listed for Canada (cUL 705). Fan shall bear the AMCA Certified Ratings Seal for Air Performance.

Construction - Fan shall be of welded and bolted construction utilizing corrosion resistant fasteners. The steel drum shall be constructed of minimum 12 gauge steel with integral flanges on both inlet and outlet. External lubrication lines shall be furnished for lubrication of fan bearings. Adjustable motor plate shall use threaded studs for positive belt tensioning and alignment. Unit shall bear an engraved aluminum nameplate and shall be shipped in ISTA Certified Transit Tested Packaging.

Coating - All steel fan components shall be Lorenized® with an electrostatically applied, baked polyester powder coating. Each component shall be subject to a five stage environmentally friendly wash system, followed by a minimum 2 mil thick baked powder finish. Paint must exceed 1,000 hour salt spray under ASTM B117 test method.

Propeller - Propeller shall be extruded aluminum airfoil design with cast aluminum hub. The blade pitch shall be factory set and locked using set screws and roll pin. The hub shall be keyed and locked to the shaft utilizing two set screws or a taper lock bushing. Propeller shall be balanced in accordance with AMCA Standard 204-96, Balance Quality and Vibration Levels for Fans.

Motor - Motor shall be heavy duty type with permanently lubricated sealed bearings and furnished at the specified voltage, phase and enclosure.

Bearings - Bearings shall be designed and individually tested specifically for use in air handling applications. Construction shall be heavy duty regreasable ball type in a cast iron housing selected for a minimum L50 life in excess of 200,000 hours at maximum cataloged operating speed.

Belts and Drives- Belts shall be oil and heat resistant, non-static type. Drives shall be precision machined cast iron type, keyed and securely attached to the wheel and motor shafts. Drives shall be sized for 150 percent of the installed motor horsepower. The variable pitch motor drive must be factory set to the specified fan RPM.

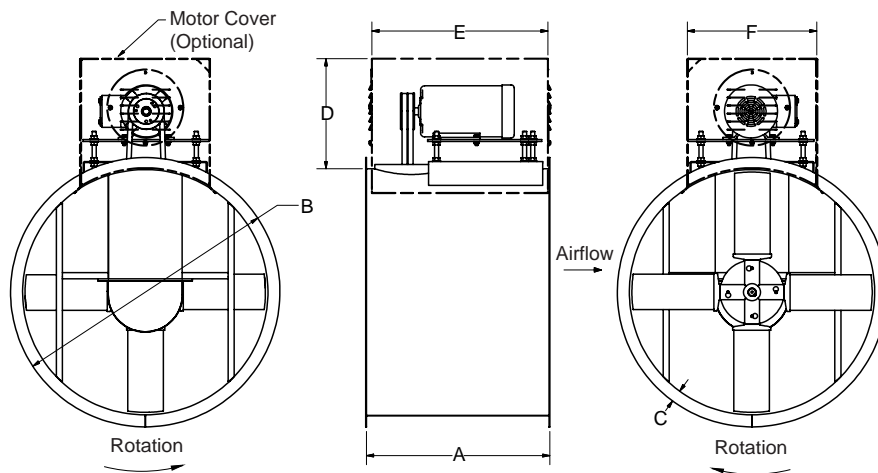
Product - Fan shall be type EDB as manufactured by Loren Cook Company of Springfield, Missouri.



Loren Cook Company certifies that the EDB shown herein is licensed to bear the AMCA Seal. The ratings shown are based on tests and procedures performed in accordance with AMCA Publication 211 and comply with the requirements of the AMCA Certified Ratings Program. EDB performance ratings shown on pages 17-20.



Type EDB is furnished standard with UL 705 & cUL 705 listing (Power Ventilator/ZACT) when furnished with factory supplied motor.



EDB Dimension Data

| Size | A | B | C | D | E | F | G | H | J | Drum Gauge | Ship Wt. |
|------|----|--------|-------|--------|----|--------|-------|----------|--------|------------|----------|
| 24 | 21 | 27-1/2 | 1-1/2 | 14-1/8 | 20 | 16-1/8 | 5-1/4 | 16-5/16 | 9-3/4 | 12 ga. | 147 |
| 30 | 25 | 33-1/2 | 1-1/2 | 19-1/8 | 22 | 18-1/8 | 5-1/4 | 16-5/16 | 9-3/4 | 12 ga. | 224 |
| 36 | 30 | 39-1/2 | 1-1/2 | 18-3/4 | 25 | 21-1/8 | 6-3/4 | 17-13/16 | 12-3/4 | 12 ga. | 315 |
| 42 | 31 | 45-3/4 | 1-5/8 | 19-3/8 | 29 | 21-1/8 | 6-3/4 | 17-13/16 | 12-3/4 | 10 ga. | 390 |
| 48 | 33 | 52-3/4 | 2-1/8 | 19-3/4 | 31 | 21-1/8 | 6-3/4 | 17-13/16 | 12-3/4 | 10 ga. | 470 |
| 54 | 41 | 58-3/4 | 2-1/8 | 24-1/4 | 35 | 24-1/8 | 10 | 19-9/16 | 17 | 10 ga. | 585 |
| 60 | 48 | 64-3/4 | 2-1/8 | 24-1/4 | 35 | 24-1/8 | 10 | 19-9/16 | 17 | 10 ga. | 705 |

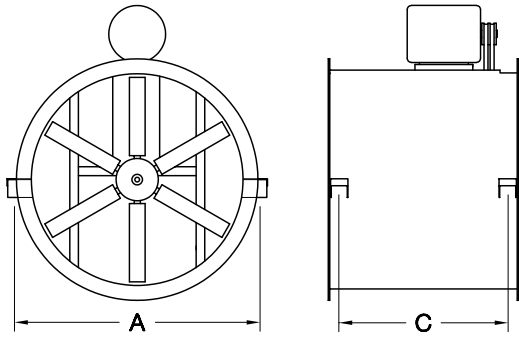
All dimensions in inches. Weight in pounds, less motor.

INSTALLATION/MOUNTING

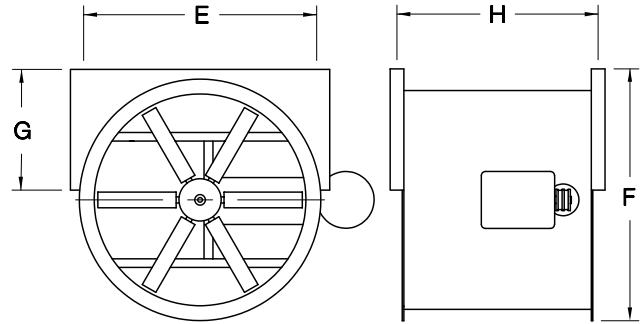
Optional Mounting Information

Horizontal Mounting

Ceiling

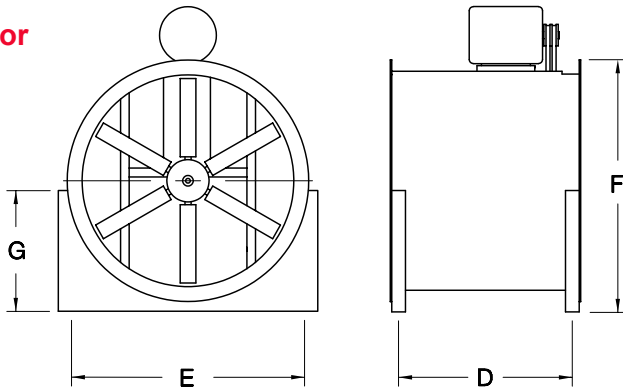


Horizontal hanging brackets motor position at A, B, E & H

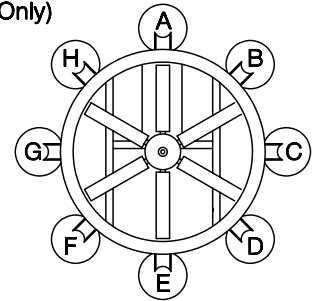
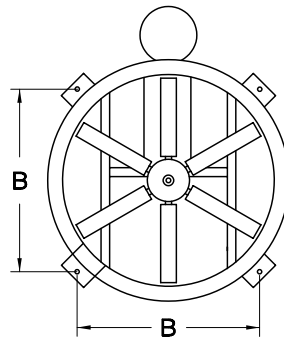


Horizontal hanging brackets motor position at C, D, F & G (Belt Drive Only)

Floor



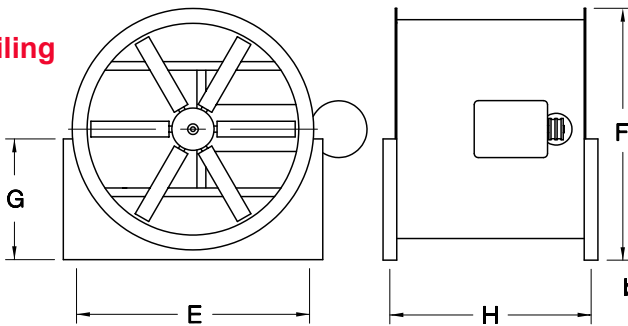
Floor mounting brackets motor position at A, B & H



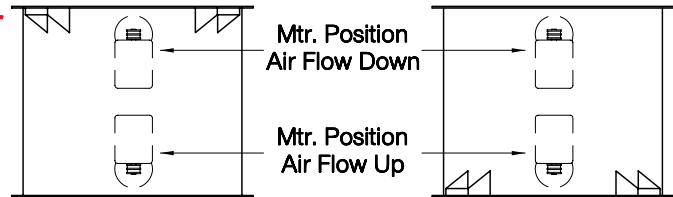
Motor position chart (view facing propeller)

Vertical Mounting

Ceiling



Floor



Vertical hanging brackets

Vertical floor brackets

Floor mounting brackets motor position at C & G (Belt Drive Only)

| Size | A* | B | C* Belt Drive | C* Direct Drive | D* Belt Drive | D* Direct Drive | E* | F | G | H* |
|------|--------|----------|------------------|--------------------|------------------|--------------------|----|--------|--------|---------|
| 20 | 23-1/2 | 18-15/16 | 16-1/16 | 15-1/16 | 19-7/8 | 17-3/8 | 21 | 25-3/4 | 12-1/4 | 19-7/8 |
| 24 | 27-1/2 | 21-3/4 | 17 | 15 | 16-1/4 | 17-5/16 | 25 | 29-3/4 | 14-1/4 | 25-3/8 |
| 30 | 33-5/8 | 26-1/16 | 21 | 21 | 23-1/8 | 23-5/16 | 31 | 35-3/4 | 17-3/8 | 26-1/2 |
| 36 | 39-5/8 | 30-5/16 | 25-13/16 | 20-13/16 | 32-3/16 | 23-5/16 | 37 | 41-3/4 | 20-3/8 | 27-7/16 |
| 42 | 45-5/8 | 34-9/16 | 27-1/8 | 26-1/8 | 27-5/16 | 27-3/4 | 43 | 48-1/2 | 23-1/2 | 34-3/16 |
| 48 | 51-5/8 | 38-13/16 | 29-1/8 | 27-1/8 | 29-5/8 | 28-3/4 | 49 | 55-1/2 | 27 | 35-7/8 |
| 54 | 57-5/8 | 43-1/16 | 34-1/8 | 37-1/8 | 35-5/16 | 38-1/4 | 55 | 62 | 30 | 40-3/16 |
| 60 | 64 | 47-5/16 | 37-1/8 | 38-1/8 | 35-3/4 | 39-1/4 | 61 | 68 | 33 | 45-3/4 |
| 72 | 64 | 55-3/4 | 44-1/8 | - | 45-1/4 | - | 73 | 80 | 33 | 50-1/4 |

All dimensions in inches. *A, B, C, D, E and H are to centerline of mounting bracket holes. Motor position designations are applicable to belt drive units only.

Disconnect Switches

NEMA 1 - Indoor general purpose.

NEMA 1 (Lockable) - Indoor general purpose with locking capability.

NEMA 3R - Exterior mount, rain-tight.

NEMA 4 - Water-tight and dust-tight.



NEMA 1



NEMA 1 (Lockable)



NEMA 3R



NEMA 4



Belt Guard

Belt Guards are designed to cover the top, front and sides of the drive assembly. Belt guards are constructed of minimum 18 gauge Lorenized® steel and have an open back to allow for inspection or belt tightening. Belt guards are factory installed.



Motor Cover

Motor Covers enclose the motor and drive assembly and serves as an OSHA belt guard. The motor cover is constructed of 18 gauge Lorenized® steel. Motor covers are factory installed.



Inlet/Outlet Guard

Inlet/Outlet Guards are used in non-ducted installations to protect personnel and prevent debris from entering the fan. This guard is constructed of expanded metal and is factory installed.



Inlet Bell

Inlet Bells are constructed of spun aluminum and are available for installation on site.

Additional Accessories

- Companion Flanges
- Horizontal Hanging Brackets
- Vertical Hanging Brackets
- Ceiling/Floor Mounting Legs

Accessory Requirements for UL Listing “Power Ventilator for Smoke Control Systems”

- Vented Bearing Cover
- Shaft Cooler

Standard Coatings

Lorenized® is an electrostatically applied, baked polyester powder coating. Each component shall be subject to a five stage environmentally friendly wash system, followed by a minimum 2 mil thick baked powder finish. Coating must exceed 1,000 hour salt spray under ASTM B117 test method.

Optional Coatings

Cook Epoxy Powder is an electrostatically applied, baked epoxy powder coating. Final coating thickness is 2.5 – 3.5 mils. For outdoor applications an optional UV resistant topcoat is required to prevent deterioration of the coating.

Cook High Temp Easy Clean Powder is an electrostatically applied, baked modified epoxy silicone powder producing a high temperature (500°F Max) "non-stick" coating. Final coating thickness is 1.3 - 1.7 mils.

Cook Phenolic Epoxy Powder is an electrostatically applied, baked phenolic epoxy powder coating. Final coating thickness is 2 – 4 mils. For outdoor applications an optional UV resistant topcoat is required to prevent deterioration of the coating.

Air Dry Phenolic (Heresite VR-504) is a conventional spray applied phenolic resin coating. Final coating thickness is 4 – 6 mils. For outdoor applications an optional UV resistant topcoat (Heresite UC-5500) is required to prevent deterioration of the coating.

Refer to the corrosion resistance guide in the Compute-A-Fan software for a listing of the coatings above and their resistance to a variety of chemicals. Additional special coatings are available.

TID - Direct Drive

| Catalog Number | Motor HP | Max. BHP | Fan RPM | CFM vs. Static Pressure | | | | | | | | |
|----------------|----------|----------|---------|-------------------------|--------|--------|--------|--------|--------|--------|--------|--------|
| | | | | 0.000" | 0.125" | 0.250" | 0.375" | 0.500" | 0.625" | 0.750" | 0.875" | 1.000" |
| 20TID | 1/6 | .10 | 860 | 2700 | 2125 | | | | | | | |
| | 1/4 | .24 | 1140 | 3580 | 3231 | 2614 | | | | | | |
| | 3/4 | .82 | 1725 | 5417 | 5200 | 4965 | 4677 | 4274 | 3674 | | | |
| 24TID | 1/4 | .28 | 860 | 5020 | 4480 | | | | | | | |
| | 3/4 | .68 | 1140 | 6654 | 6287 | 5796 | 5023 | | | | | |
| | 3 | 2.34 | 1725 | 10069 | 9833 | 9588 | 9318 | 8995 | 8587 | 8095 | 7513 | |
| 30TID | 1/2 | .43 | 680 | 7948 | 6857 | | | | | | | |
| | 1 | .88 | 860 | 10051 | 9214 | 8257 | | | | | | |
| | 2 | 2.05 | 1140 | 13324 | 12699 | 12054 | 11356 | 10479 | | | | |
| 36TID | 1 | 1.07 | 680 | 13677 | 12402 | 10851 | | | | | | |
| | 2 | 2.17 | 860 | 17297 | 16302 | 15255 | 14030 | | | | | |
| | 5 | 5.07 | 1140 | 22928 | 22182 | 21423 | 20640 | 19811 | 18883 | 17666 | | |
| 42TID | 3 | 2.60 | 680 | 22025 | 20919 | 19489 | 17563 | 15053 | | | | |
| | 5 | 5.31 | 860 | 27855 | 26998 | 26070 | 24923 | 23403 | 21928 | 20332 | | |
| 48TID | 5 | 4.98 | 680 | 33190 | 31785 | 30232 | 28270 | 26000 | | | | |
| | 10 | 10.18 | 860 | 41975 | 40874 | 39734 | 38499 | 37071 | 35399 | 33618 | 31671 | |
| 54TID | 10 | 9.04 | 680 | 47134 | 45565 | 43898 | 41977 | 39624 | 37068 | 33857 | | |
| | 20 | 18.05 | 860 | 59611 | 58376 | 57115 | 55796 | 54361 | 52739 | 50895 | 48911 | 46874 |
| 60TID | 15 | 15.26 | 680 | 64523 | 62785 | 60980 | 59014 | 56730 | 54050 | 51226 | 48043 | |

Performance shown is for Installation Type B: Free Inlet, Ducted Outlet. Power rating (BHP) does not include drive losses. Performance ratings do not include the effects of appurtenances in the airstream.

TIB - Belt Drive

| Catalog Number | Max. BHP | Max. HP | Fan RPM | CFM vs. Static Pressure | | | | | | | | | | | | | | |
|----------------|----------|---------|---------|-------------------------|--------|--------|--------|--------|--------|--------|--------|--------|--------|--------|--|--|--|--|
| | | | | 0.000" | 0.125" | 0.250" | 0.375" | 0.500" | 0.625" | 0.750" | 0.875" | 1.000" | 1.125" | 1.250" | | | | |
| 20TIB | .16 | 1/4 | 1000 | 3140 | 2716 | | | | | | | | | | | | | |
| | .2 | | 1079 | 3388 | 3011 | 2237 | | | | | | | | | | | | |
| | .25 | | 1158 | 3636 | 3295 | 2712 | | | | | | | | | | | | |
| | .28 | 1/3 | 1199 | 3765 | 3439 | 2922 | | | | | | | | | | | | |
| | .3 | | 1240 | 3894 | 3581 | 3117 | | | | | | | | | | | | |
| | .33 | | 1280 | 4019 | 3719 | 3295 | | | | | | | | | | | | |
| | .38 | 1/2 | 1343 | 4217 | 3933 | 3559 | 2891 | | | | | | | | | | | |
| | .44 | | 1406 | 4415 | 4145 | 3809 | 3256 | | | | | | | | | | | |
| | .51 | | 1470 | 4616 | 4359 | 4053 | 3586 | | | | | | | | | | | |
| | .59 | 3/4 | 1544 | 4848 | 4605 | 4325 | 3931 | 3293 | | | | | | | | | | |
| | .68 | | 1618 | 5081 | 4849 | 4590 | 4249 | 3729 | | | | | | | | | | |
| | .77 | | 1691 | 5310 | 5089 | 4848 | 4543 | 4109 | 3382 | | | | | | | | | |
| | .85 | 1 | 1749 | 5492 | 5279 | 5049 | 4768 | 4387 | 3826 | | | | | | | | | |
| | .94 | | 1807 | 5674 | 5468 | 5248 | 4988 | 4646 | 4158 | | | | | | | | | |
| | 1.04 | | 1865 | 5856 | 5657 | 5446 | 5202 | 4892 | 4466 | 3840 | | | | | | | | |
| | 1.19 | 1-1/2 | 1957 | 6145 | 5956 | 5757 | 5534 | 5263 | 4912 | 4430 | | | | | | | | |
| 1.37 | 2049 | | 6434 | 6253 | 6065 | 5860 | 5618 | 5318 | 4923 | 4400 | | | | | | | | |
| 1.57 | 2142 | | 6726 | 6553 | 6375 | 6183 | 5964 | 5703 | 5372 | 4942 | 4322 | | | | | | | |
| 1.74 | 2 | 2215 | 6955 | 6788 | 6616 | 6435 | 6231 | 5991 | 5698 | 5327 | 4856 | | | | | | | |
| 1.91 | | 2288 | 7184 | 7023 | 6858 | 6683 | 6491 | 6270 | 6008 | 5682 | 5273 | 4738 | | | | | | |
| 2.1 | | 2361 | 7414 | 7257 | 7097 | 6930 | 6749 | 6544 | 6305 | 6016 | 5659 | 5221 | | | | | | |
| | | | | | | | | | | | | | | | | | | |
| 24TIB | .33 | 1/2 | 900 | 5253 | 4753 | 3772 | | | | | | | | | | | | |
| | .41 | | 968 | 5650 | 5200 | 4437 | | | | | | | | | | | | |
| | .5 | | 1035 | 6041 | 5629 | 4992 | | | | | | | | | | | | |
| | .58 | 3/4 | 1087 | 6345 | 5956 | 5400 | 4402 | | | | | | | | | | | |
| | .67 | | 1139 | 6648 | 6281 | 5789 | 5013 | | | | | | | | | | | |
| | .77 | | 1191 | 6952 | 6603 | 6162 | 5482 | | | | | | | | | | | |
| | .85 | 1 | 1232 | 7191 | 6855 | 6445 | 5825 | | | | | | | | | | | |
| | .93 | | 1273 | 7431 | 7106 | 6723 | 6157 | 5337 | | | | | | | | | | |
| | 1.03 | | 1314 | 7670 | 7357 | 6995 | 6480 | 5777 | | | | | | | | | | |
| | 1.19 | 1-1/2 | 1379 | 8049 | 7752 | 7419 | 6972 | 6362 | | | | | | | | | | |
| | 1.37 | | 1444 | 8429 | 8145 | 7836 | 7443 | 6901 | 6204 | | | | | | | | | |
| | 1.57 | | 1509 | 8808 | 8537 | 8246 | 7894 | 7418 | 6828 | | | | | | | | | |
| | 1.73 | 2 | 1560 | 9106 | 8845 | 8566 | 8240 | 7809 | 7267 | 6547 | | | | | | | | |
| | 1.91 | | 1611 | 9404 | 9151 | 8884 | 8578 | 8189 | 7687 | 7091 | | | | | | | | |
| | 2.1 | | 1663 | 9707 | 9462 | 9206 | 8919 | 8563 | 8104 | 7568 | 6769 | | | | | | | |
| | 2.42 | 3 | 1745 | 10186 | 9953 | 9711 | 9447 | 9133 | 8738 | 8260 | 7707 | | | | | | | |
| 2.78 | 1827 | | 10664 | 10442 | 10213 | 9967 | 9685 | 9342 | 8920 | 8440 | 7853 | | | | | | | |
| 3.17 | 1908 | | 11137 | 10924 | 10706 | 10475 | 10220 | 9915 | 9545 | 9111 | 8630 | 7988 | | | | | | |
| | | | | | | | | | | | | | | | | | | |
| 30-TIB | .3 | 1/2 | 600 | 7013 | 5717 | | | | | | | | | | | | | |
| | .39 | | 657 | 7679 | 6540 | | | | | | | | | | | | | |
| | .49 | | 714 | 8345 | 7316 | | | | | | | | | | | | | |
| | .58 | 3/4 | 750 | 8766 | 7793 | 6261 | | | | | | | | | | | | |
| | .67 | | 786 | 9186 | 8263 | 7055 | | | | | | | | | | | | |
| | .77 | | 822 | 9607 | 8728 | 7672 | | | | | | | | | | | | |
| | .85 | 1 | 850 | 9934 | 9086 | 8107 | | | | | | | | | | | | |
| | .93 | | 878 | 10262 | 9443 | 8522 | | | | | | | | | | | | |
| | 1.02 | | 906 | 10589 | 9797 | 8925 | 7241 | | | | | | | | | | | |
| | 1.19 | 1-1/2 | 951 | 11115 | 10362 | 9551 | 8416 | | | | | | | | | | | |
| | 1.37 | | 996 | 11641 | 10923 | 10163 | 9222 | | | | | | | | | | | |
| | 1.56 | | 1041 | 12167 | 11482 | 10762 | 9929 | 8108 | | | | | | | | | | |
| | 1.72 | 2 | 1076 | 12576 | 11913 | 11222 | 10447 | 9247 | | | | | | | | | | |
| | 1.9 | | 1111 | 12985 | 12344 | 11678 | 10950 | 9967 | | | | | | | | | | |
| | 2.09 | | 1147 | 13406 | 12785 | 12145 | 11453 | 10597 | | | | | | | | | | |
| | 2.4 | 3 | 1203 | 14060 | 13469 | 12862 | 12219 | 11479 | 10338 | | | | | | | | | |
| 2.76 | 1259 | | 14715 | 14150 | 13574 | 12969 | 12303 | 11449 | | | | | | | | | | |
| 3.15 | 1316 | | 15381 | 14841 | 14292 | 13721 | 13107 | 12389 | 11281 | | | | | | | | | |
| 3.79 | 5 | 1399 | 16351 | 15843 | 15329 | 14800 | 14243 | 13631 | 12881 | 11598 | | | | | | | | |
| 4.51 | | 1482 | 17321 | 16842 | 16359 | 15863 | 15349 | 14803 | 14189 | 13408 | 11927 | | | | | | | |
| 5.31 | | 1565 | 18291 | 17838 | 17381 | 16916 | 16435 | 15936 | 15398 | 14783 | 13979 | 12349 | | | | | | |

Performance shown is for Installation Type B: Free Inlet, Ducted Outlet. Power rating (BHP) does not include drive losses. Performance ratings do not include the effects of appurtenances in the airstream.

TIB - Belt Drive

| Catalog Number | Max. BHP | Max. HP | Fan RPM | CFM vs. Static Pressure | | | | | | | | | | | |
|----------------|----------|---------|---------|-------------------------|--------|--------|--------|--------|--------|--------|--------|--------|--------|--------|--|
| | | | | 0.000" | 0.125" | 0.250" | 0.375" | 0.500" | 0.625" | 0.750" | 0.875" | 1.000" | 1.125" | 1.250" | |
| 36-TIB | .31 | 3/4 | 450 | 9051 | 6679 | | | | | | | | | | |
| | .5 | | 528 | 10619 | 8899 | | | | | | | | | | |
| | .75 | | 607 | 12208 | 10761 | | | | | | | | | | |
| | .84 | 1 | 628 | 12631 | 11239 | 9087 | | | | | | | | | |
| | .94 | | 649 | 13053 | 11711 | 9899 | | | | | | | | | |
| | 1.03 | | 670 | 13475 | 12180 | 10560 | | | | | | | | | |
| | 1.18 | 1-1/2 | 703 | 14139 | 12909 | 11476 | | | | | | | | | |
| | 1.35 | | 736 | 14803 | 13632 | 12320 | | | | | | | | | |
| | 1.54 | | 769 | 15467 | 14349 | 13127 | 11122 | | | | | | | | |
| | 1.72 | 2 | 795 | 15989 | 14910 | 13748 | 12129 | | | | | | | | |
| | 1.89 | | 821 | 16512 | 15468 | 14357 | 12946 | | | | | | | | |
| | 2.08 | | 848 | 17055 | 16046 | 14980 | 13706 | | | | | | | | |
| | 2.4 | 3 | 890 | 17900 | 16940 | 15937 | 14804 | 12941 | | | | | | | |
| | 2.77 | | 932 | 18745 | 17829 | 16879 | 15841 | 14461 | | | | | | | |
| | 3.15 | | 973 | 19569 | 18693 | 17790 | 16822 | 15657 | | | | | | | |
| | 3.78 | 5 | 1034 | 20796 | 19972 | 19129 | 18242 | 17251 | 15917 | | | | | | |
| 4.48 | 1095 | | 22023 | 21246 | 20454 | 19630 | 18745 | 17701 | 16058 | | | | | | |
| 5.3 | 1157 | | 23270 | 22535 | 21788 | 21019 | 20209 | 19312 | 18190 | 16014 | | | | | |
| 6.04 | 7-1/2 | 1209 | 24316 | 23612 | 22901 | 22170 | 21408 | 20590 | 19648 | 18344 | | | | | |
| 6.86 | | 1261 | 25362 | 24687 | 24007 | 23310 | 22591 | 21831 | 20994 | 19976 | 18400 | | | | |
| 7.76 | | 1314 | 26428 | 25781 | 25128 | 24465 | 23780 | 23069 | 22304 | 21439 | 20325 | 18306 | | | |
| 42TIB | .73 | 1 | 450 | 14576 | 12536 | | | | | | | | | | |
| | .84 | | 474 | 15353 | 13510 | | | | | | | | | | |
| | 1.03 | | 497 | 16098 | 14408 | 11763 | | | | | | | | | |
| | 1.18 | 1-1/2 | 522 | 16908 | 15348 | 12933 | | | | | | | | | |
| | 1.35 | | 547 | 17717 | 16266 | 13998 | | | | | | | | | |
| | 1.52 | | 571 | 18495 | 17127 | 14996 | | | | | | | | | |
| | 1.7 | 2 | 590 | 19110 | 17800 | 15788 | 13152 | | | | | | | | |
| | 1.89 | | 609 | 19726 | 18465 | 16586 | 14421 | | | | | | | | |
| | 2.07 | | 629 | 20373 | 19162 | 17422 | 15382 | | | | | | | | |
| | 2.37 | 3 | 660 | 21377 | 20233 | 18691 | 16726 | | | | | | | | |
| | 2.75 | | 691 | 22381 | 21295 | 19916 | 18019 | 15959 | | | | | | | |
| | 3.14 | | 722 | 23386 | 22352 | 21102 | 19312 | 17563 | | | | | | | |
| | 3.75 | 5 | 767 | 24843 | 23875 | 22766 | 21198 | 19520 | 17448 | | | | | | |
| | 4.46 | | 812 | 26301 | 25389 | 24381 | 23039 | 21393 | 19856 | | | | | | |
| | 5.28 | | 858 | 27791 | 26931 | 26000 | 24845 | 23319 | 21844 | 20229 | | | | | |
| | 6.06 | 7-1/2 | 900 | 29151 | 28334 | 27463 | 26431 | 25072 | 23592 | 22221 | 19971 | | | | |
| 6.98 | 942 | | 30511 | 29732 | 28910 | 27977 | 26780 | 25346 | 24017 | 22620 | | | | | |
| 7.96 | 984 | | 31872 | 31126 | 30347 | 29486 | 28428 | 27109 | 25765 | 24519 | 22969 | | | | |
| 8.77 | 10 | 1017 | 32941 | 32219 | 31472 | 30658 | 29690 | 28476 | 27140 | 25921 | 24651 | | | | |
| 9.67 | | 1050 | 34010 | 33311 | 32592 | 31814 | 30920 | 29813 | 28525 | 27295 | 26128 | 24727 | | | |
| 10.61 | | 1084 | 35111 | 34435 | 33740 | 33000 | 32171 | 31158 | 29950 | 28707 | 27576 | 26391 | 24626 | | |
| 48-TIB | 1.46 | 1-1/2 | 450 | 21964 | 19673 | 16201 | | | | | | | | | |
| | 1.5 | | 454 | 22159 | 19897 | 16514 | | | | | | | | | |
| | 1.55 | | 459 | 22403 | 20176 | 16879 | | | | | | | | | |
| | 1.7 | 2 | 475 | 23184 | 21060 | 17998 | | | | | | | | | |
| | 1.86 | | 491 | 23965 | 21929 | 19053 | | | | | | | | | |
| | 2.02 | | 506 | 24697 | 22739 | 20016 | | | | | | | | | |
| | 2.38 | 3 | 531 | 25917 | 24068 | 21588 | 17955 | | | | | | | | |
| | 2.76 | | 556 | 27137 | 25386 | 23130 | 20222 | | | | | | | | |
| | 3.12 | | 581 | 28358 | 26691 | 24630 | 21991 | | | | | | | | |
| | 3.75 | 5 | 617 | 30115 | 28555 | 26723 | 24341 | 21183 | | | | | | | |
| | 4.45 | | 653 | 31872 | 30407 | 28748 | 26606 | 24152 | | | | | | | |
| | 5.25 | | 690 | 33678 | 32294 | 30775 | 28875 | 26661 | 23702 | | | | | | |
| | 6.08 | 7-1/2 | 724 | 35337 | 34022 | 32608 | 30897 | 28839 | 26561 | | | | | | |
| | 6.97 | | 758 | 36997 | 35743 | 34410 | 32862 | 30970 | 28919 | 26193 | | | | | |
| | 7.93 | | 791 | 38607 | 37409 | 36149 | 34722 | 32995 | 31069 | 28942 | | | | | |
| | 8.75 | 10 | 818 | 39925 | 38767 | 37557 | 36220 | 34617 | 32782 | 30849 | 28214 | | | | |
| 9.68 | 845 | | 41243 | 40122 | 38958 | 37687 | 36205 | 34472 | 32648 | 30557 | | | | | |
| 10.59 | 872 | | 42561 | 41475 | 40354 | 39147 | 37759 | 36136 | 34387 | 32526 | 29897 | | | | |
| 11.92 | 15 | 906 | 44220 | 43176 | 42105 | 40961 | 39682 | 38193 | 36535 | 34822 | 32876 | | | | |
| 13.32 | | 940 | 45880 | 44874 | 43846 | 42759 | 41573 | 40200 | 38650 | 37023 | 35309 | 33168 | | | |
| 14.74 | | 973 | 47491 | 46519 | 45528 | 44495 | 43370 | 42106 | 40666 | 39111 | 37519 | 35756 | 33220 | | |

Performance shown is for Installation Type B: Free Inlet, Ducted Outlet. Power rating (BHP) does not include drive losses. Performance ratings do not include the effects of appurtenances in the airstream.

TIB - Belt Drive

| Catalog Number | Max. BHP | Max. HP | Fan RPM | CFM vs. Static Pressure | | | | | | | | | | | |
|----------------|----------|---------|---------|-------------------------|--------|--------|--------|--------|--------|--------|--------|--------|--------|--------|--|
| | | | | 0.000" | 0.125" | 0.250" | 0.375" | 0.500" | 0.625" | 0.750" | 0.875" | 1.000" | 1.125" | 1.250" | |
| 54TIB | 2.12 | 3 | 420 | 29112 | 26408 | 22487 | | | | | | | | | |
| | 2.54 | | 449 | 31122 | 28640 | 25184 | | | | | | | | | |
| | 3.14 | | 478 | 33133 | 30828 | 27770 | 23574 | | | | | | | | |
| | 3.75 | 5 | 508 | 35212 | 33066 | 30367 | 26915 | | | | | | | | |
| | 4.39 | | 538 | 37291 | 35277 | 32873 | 29758 | | | | | | | | |
| | 5.27 | | 568 | 39371 | 37474 | 35297 | 32466 | 29152 | | | | | | | |
| | 6.04 | 7-1/2 | 596 | 41312 | 39509 | 37503 | 34936 | 31999 | | | | | | | |
| | 6.99 | | 624 | 43253 | 41534 | 39661 | 37348 | 34615 | 31318 | | | | | | |
| | 7.91 | | 651 | 45124 | 43481 | 41718 | 39610 | 37054 | 34269 | | | | | | |
| | 8.74 | 10 | 673 | 46649 | 45062 | 43373 | 41409 | 39008 | 36409 | 32886 | | | | | |
| | 9.66 | | 695 | 48174 | 46640 | 45021 | 43178 | 40934 | 38458 | 35630 | | | | | |
| | 10.56 | | 717 | 49699 | 48213 | 46658 | 44918 | 42824 | 40455 | 37924 | 33520 | | | | |
| | 12.24 | 15 | 752 | 52125 | 50709 | 49238 | 47634 | 45762 | 43574 | 41270 | 38632 | | | | |
| | 14.02 | | 787 | 54551 | 53199 | 51806 | 50316 | 48617 | 46626 | 44457 | 42191 | 39323 | | | |
| | 15.88 | | 821 | 56908 | 55613 | 54287 | 52877 | 51321 | 49515 | 47487 | 45382 | 43094 | 39782 | | |
| | 17.24 | 20 | 843 | 58433 | 57172 | 55884 | 54526 | 53048 | 51350 | 49419 | 47384 | 45265 | 42716 | | |
| 18.59 | 865 | | 59957 | 58730 | 57476 | 56169 | 54746 | 53146 | 51324 | 49357 | 47343 | 45108 | 41871 | | |
| 20.16 | 888 | | 61552 | 60356 | 59138 | 57872 | 56514 | 55008 | 53288 | 51400 | 49458 | 47413 | 44959 | | |
| 60TIB | 2.84 | 3 | 390 | 37006 | 33798 | 29245 | | | | | | | | | |
| | 2.96 | | 396 | 37575 | 34430 | 30002 | | | | | | | | | |
| | 3.06 | | 401 | 38050 | 34955 | 30627 | | | | | | | | | |
| | 3.73 | 5 | 426 | 40422 | 37546 | 33692 | 28116 | | | | | | | | |
| | 4.44 | | 451 | 42794 | 40106 | 36675 | 32280 | | | | | | | | |
| | 5.19 | | 477 | 45261 | 42733 | 39678 | 35734 | | | | | | | | |
| | 6.07 | 7-1/2 | 500 | 47443 | 45044 | 42251 | 38610 | 34074 | | | | | | | |
| | 6.93 | | 523 | 49626 | 47342 | 44757 | 41417 | 37590 | | | | | | | |
| | 7.8 | | 546 | 51808 | 49625 | 47213 | 44171 | 40647 | 35061 | | | | | | |
| | 8.76 | 10 | 565 | 53611 | 51504 | 49214 | 46396 | 43052 | 39115 | | | | | | |
| | 9.64 | | 584 | 55414 | 53379 | 51196 | 48572 | 45399 | 41923 | | | | | | |
| | 10.52 | | 602 | 57122 | 55151 | 53051 | 50593 | 47593 | 44355 | 39633 | | | | | |
| | 12.19 | 15 | 631 | 59873 | 57998 | 56023 | 53783 | 51067 | 48047 | 44685 | | | | | |
| | 13.95 | | 660 | 62625 | 60834 | 58964 | 56903 | 54446 | 51623 | 48659 | 44825 | | | | |
| | 15.85 | | 689 | 65377 | 63662 | 61885 | 59961 | 57736 | 55131 | 52355 | 49321 | | | | |
| | 17.53 | 20 | 712 | 67559 | 65900 | 64192 | 62366 | 60294 | 57861 | 55204 | 52443 | 49035 | | | |
| 19.24 | 735 | | 69742 | 68136 | 66491 | 64737 | 62795 | 60540 | 58011 | 55395 | 52504 | 47891 | | | |
| 21.24 | 759 | | 72019 | 70464 | 68875 | 67201 | 65377 | 63282 | 60900 | 58390 | 55776 | 52628 | | | |
| 72TIB | 1.8 | 5 | 250 | 40864 | 33967 | | | | | | | | | | |
| | 3.28 | | 301 | 49200 | 44078 | 36320 | | | | | | | | | |
| | 5.04 | | 352 | 57536 | 53356 | 47711 | | | | | | | | | |
| | 6.04 | 7-1/2 | 369 | 60315 | 56361 | 51234 | 44576 | | | | | | | | |
| | 6.86 | | 386 | 63094 | 59339 | 54668 | 48684 | | | | | | | | |
| | 7.72 | | 403 | 65872 | 62291 | 58008 | 52460 | | | | | | | | |
| | 8.71 | 10 | 417 | 68161 | 64712 | 60695 | 55461 | 48933 | | | | | | | |
| | 9.61 | | 431 | 70449 | 67124 | 63330 | 58411 | 52725 | | | | | | | |
| | 10.52 | | 445 | 72737 | 69523 | 65936 | 61322 | 56050 | | | | | | | |
| | 12.15 | 15 | 466 | 76170 | 73107 | 69757 | 65601 | 60717 | 54643 | | | | | | |
| | 13.85 | | 487 | 79603 | 76678 | 73538 | 69764 | 65202 | 60200 | | | | | | |
| | 15.83 | | 509 | 83199 | 80407 | 77440 | 74008 | 69809 | 65252 | 59415 | | | | | |
| | 17.48 | 20 | 526 | 85977 | 83281 | 80439 | 77215 | 73306 | 68961 | 64118 | | | | | |
| | 19.13 | | 543 | 88756 | 86145 | 83415 | 80382 | 76737 | 72585 | 68184 | 61791 | | | | |
| | 21.23 | | 561 | 91698 | 89172 | 86544 | 83669 | 80293 | 76366 | 72237 | 67387 | | | | |
| | 22.91 | 25 | 576 | 94150 | 91691 | 89144 | 86389 | 83205 | 79477 | 75499 | 71175 | | | | |
| 24.8 | 591 | | 96602 | 94206 | 91736 | 89095 | 86079 | 82549 | 78703 | 74682 | 69582 | | | | |
| 26.61 | 605 | | 98890 | 96551 | 94149 | 91585 | 88717 | 85374 | 81656 | 77814 | 73433 | | | | |

Performance shown is for Installation Type B: Free Inlet, Ducted Outlet. Power rating (BHP) does not include drive losses. Performance ratings do not include the effects of appurtenances in the airstream.

ADD - Direct Drive

| Catalog Number | Max. BHP | Mtr. HP | Fan RPM | FA Sones | CFM vs. Static Pressure | | | | |
|----------------|----------|---------|---------|----------|-------------------------|------|------|------|------|
| | | | | | 0" | 1/8" | 1/4" | 3/8" | 1/2" |
| 12D17 | .10 | 1/6 | 1725 | 10.3 | 1139 | 961 | 295 | | |
| 16D17 | .28 | 1/4 | 1725 | 15.9 | 2282 | 2055 | 1703 | 803 | |
| 20D17 | .68 | 1/2 | 1725 | 23 | 4582 | 4297 | 3985 | | |
| 24D11 | .37 | 1/3 | 1140 | 15.4 | 4432 | 3912 | 3260 | 2405 | |
| 24D11A | .52 | 1/2 | 1140 | 17.4 | 5380 | 4862 | 4155 | 2859 | |
| 24D11B | .76 | 3/4 | 1140 | 19.1 | 6124 | 5487 | 4757 | 3025 | 2378 |
| 24D17 | 1.09 | 1 | 1725 | 31 | 6707 | 6358 | 6018 | 5665 | 5244 |
| 24D17A | 1.66 | 1-1/2 | 1725 | 34 | 8140 | 7806 | 7461 | 7088 | 6626 |

Performance shown is for Installation Type A: free inlet, free outlet. Power rating (BHP) does not include drive losses. Performance ratings do not include the effects of appurtenances in the airstream.

ADB - Belt Drive

| Catalog Number | Max. BHP | Mtr. HP | Fan RPM | FA Sones | CFM vs. Static Pressure | | | | |
|----------------|----------|---------|---------|----------|-------------------------|------|------|------|------|
| | | | | | 0" | 1/8" | 1/4" | 3/8" | 1/2" |
| 16AD2B | .15 | 1/6 | 1444 | 17.2 | 1879 | 1516 | | | |
| | .16 | | 1495 | 18.2 | 1945 | 1596 | | | |
| | .18 | | 1544 | 19.2 | 2009 | 1673 | | | |
| 16AD3B | .21 | 1/4 | 1449 | 17.3 | 2068 | 1566 | 643 | | |
| | .25 | | 1501 | 18.3 | 2142 | 1684 | 707 | 452 | |
| | .27 | | 1550 | 19.3 | 2212 | 1788 | 769 | 514 | |
| 16AD4B | .29 | 1/3 | 1597 | 20 | 2279 | 1884 | 831 | 573 | |
| | .33 | | 1681 | 22 | 2399 | 2043 | 958 | 675 | |
| | .37 | | 1707 | 23 | 2436 | 2091 | 1003 | 706 | 489 |
| 20AD3B | .22 | 1/4 | 1158 | 18.3 | 2853 | 2412 | 1152 | | |
| | .25 | | 1219 | 19.9 | 3004 | 2588 | 1543 | | |
| | .28 | | 1274 | 21 | 3139 | 2744 | 1899 | | |
| 20AD4B | .31 | 1/3 | 1321 | 22 | 3255 | 2875 | 2269 | | |
| | .33 | | 1343 | 23 | 3309 | 2936 | 2438 | | |
| | .35 | | 1364 | 23 | 3361 | 2995 | 2540 | | |
| 20AD5B | .44 | 1/2 | 1459 | 26 | 3595 | 3255 | 2876 | 1609 | |
| | .50 | | 1536 | 28 | 3785 | 3463 | 3113 | 2190 | |
| | .57 | | 1606 | 30 | 3957 | 3651 | 3320 | 2642 | |
| 24AD4B | .27 | 1/3 | 814 | 14.1 | 4031 | 2658 | 1344 | | |
| | .29 | | 843 | 15 | 4175 | 2923 | 1499 | | |
| | .35 | | 857 | 15.5 | 4244 | 3060 | 1574 | 915 | |
| | .36 | | 871 | 15.9 | 4313 | 3198 | 1647 | 988 | |
| 24AD5B | .42 | 1/2 | 932 | 17.8 | 4615 | 3739 | 1974 | 1301 | |
| | .48 | | 981 | 19.4 | 4858 | 4080 | 2274 | 1561 | |
| | .55 | | 996 | 19.8 | 4932 | 4176 | 2380 | 1641 | 1090 |
| | .59 | | 1026 | 21 | 5081 | 4359 | 2623 | 1802 | 1245 |
| 24AD6B | .69 | 3/4 | 1105 | 23 | 5472 | 4816 | 3352 | 2219 | 1654 |
| | .74 | | 1141 | 25 | 5650 | 5018 | 3669 | 2415 | 1846 |
| | .79 | | 1175 | 26 | 5819 | 5206 | 3973 | 2613 | 2029 |
| 24AD7B | .90 | 1 | 1237 | 28 | 6126 | 5545 | 4575 | 3047 | 2357 |
| | 1.00 | | 1293 | 30 | 6403 | 5847 | 5089 | 3543 | 2654 |
| | 1.11 | | 1345 | 32 | 6660 | 6126 | 5485 | 4030 | 2946 |
| 24AD8B | 1.30 | 1-1/2 | 1438 | 35 | 7121 | 6621 | 6086 | 4856 | 3599 |
| | 1.39 | | 1481 | 37 | 7334 | 6848 | 6341 | 5267 | 3979 |
| | 1.55 | | 1540 | 40 | 7626 | 7158 | 6682 | 5844 | 4533 |
| 30AD5B | .46 | 1/2 | 692 | 12 | 6445 | 4596 | 2354 | | |
| | .57 | | 711 | 12.7 | 6622 | 4866 | 2569 | 1413 | |
| 30AD6B | .64 | 3/4 | 751 | 13.9 | 6994 | 5464 | 3103 | 1839 | |
| | .73 | | 793 | 15.4 | 7385 | 6009 | 4027 | 2290 | |

Performance shown is for Installation Type B: Free Inlet, Ducted Outlet. Power rating (BHP) does not include drive losses. Performance ratings do not include the effects of appurtenances in the airstream.

ADB - Belt Drive

| Catalog Number | Max. BHP | Mtr. HP | Fan RPM | FA Sones | CFM vs. Static Pressure | | | | |
|----------------|----------|---------|---------|----------|-------------------------|-------|-------|-------|-------|
| | | | | | 0" | 1/8" | 1/4" | 3/8" | 1/2" |
| 30AD7B | .88 | 1 | 826 | 16.6 | 7693 | 6399 | 4610 | 2647 | 1685 |
| | 1.00 | | 873 | 18.3 | 8130 | 6931 | 5217 | 3172 | 2186 |
| | 1.07 | | 897 | 19.1 | 8354 | 7195 | 5500 | 3467 | 2443 |
| | 1.15 | | 925 | 20 | 8615 | 7500 | 5830 | 3891 | 2745 |
| 30AD8B | 1.38 | 1-1/2 | 999 | 23 | 9304 | 8293 | 6786 | 5450 | 3558 |
| | 1.47 | | 1027 | 24 | 9564 | 8589 | 7208 | 5862 | 3893 |
| | 1.59 | | 1059 | 25 | 9862 | 8924 | 7684 | 6266 | 4340 |
| 30AD9B | 1.78 | 2 | 1100 | 27 | 10244 | 9351 | 8232 | 6753 | 5187 |
| | 1.92 | | 1131 | 28 | 10533 | 9671 | 8613 | 7117 | 5892 |
| | 2.07 | | 1166 | 30 | 10859 | 10030 | 9025 | 7540 | 6489 |
| | 2.19 | | 1193 | 31 | 11110 | 10306 | 9336 | 7886 | 6861 |
| 30AD10B | 2.67 | 3 | 1295 | 36 | 12060 | 11334 | 10464 | 9383 | 8088 |
| | 2.92 | | 1335 | 38 | 12433 | 11734 | 10897 | 9926 | 8565 |
| | 3.13 | | 1366 | 39 | 12722 | 12042 | 11229 | 10317 | 8952 |
| | 3.36 | | 1399 | 41 | 13029 | 12368 | 11581 | 10715 | 9399 |
| 36AD6B | .67 | 3/4 | 608 | 13.7 | 9068 | 6987 | 3386 | 1983 | |
| | .76 | | 643 | 15.2 | 9590 | 7714 | 3972 | 2559 | |
| | .80 | | 660 | 15.9 | 9844 | 8043 | 4334 | 2836 | |
| 36AD7B | .83 | 1 | 670 | 16.3 | 9993 | 8233 | 4599 | 2997 | |
| | 1.05 | | 708 | 18 | 10560 | 8922 | 5920 | 3588 | 2388 |
| | 1.12 | | 727 | 18.8 | 10843 | 9257 | 6488 | 3876 | 2701 |
| 36AD8B | 1.26 | 1-1/2 | 767 | 21 | 11440 | 9943 | 7545 | 4506 | 3354 |
| | 1.41 | | 810 | 23 | 12081 | 10663 | 8677 | 5348 | 4028 |
| | 1.49 | | 833 | 24 | 12424 | 11043 | 9258 | 6046 | 4377 |
| | 1.66 | | 878 | 26 | 13095 | 11779 | 10272 | 7588 | 5076 |
| 36AD9B | 1.83 | 2 | 917 | 28 | 13677 | 12411 | 11061 | 8661 | 5769 |
| | 1.96 | | 945 | 29 | 14095 | 12862 | 11595 | 9386 | 6434 |
| | 2.07 | | 967 | 30 | 14423 | 13215 | 12001 | 9964 | 7171 |
| | 2.21 | | 1013 | 33 | 15109 | 13949 | 12826 | 11163 | 8737 |
| 36AD10B | 2.46 | 3 | 1050 | 35 | 15661 | 14537 | 13469 | 12033 | 9768 |
| | 2.86 | | 1107 | 39 | 16511 | 15439 | 14436 | 13228 | 11251 |
| | 3.32 | | 1160 | 42 | 17301 | 16272 | 15319 | 14251 | 12645 |
| 36AD11B | 4.43 | 5 | 1284 | 51 | 19151 | 18214 | 17344 | 16461 | 15388 |
| | 4.72 | | 1314 | 53 | 19598 | 18681 | 17828 | 16976 | 15971 |
| | 5.37 | | 1376 | 57 | 20523 | 19645 | 18824 | 18019 | 17127 |
| 42AD9B | 1.83 | 2 | 705 | 24 | 17832 | 16359 | 14100 | 9072 | 6205 |
| | 1.95 | | 724 | 25 | 18312 | 16893 | 14712 | 11991 | 6754 |
| | 2.10 | | 747 | 26 | 18894 | 17536 | 15452 | 13182 | 7426 |
| | 2.23 | | 764 | 27 | 19324 | 18003 | 15999 | 13872 | 7970 |
| 42AD10B | 2.73 | 3 | 829 | 32 | 20968 | 19774 | 18103 | 16144 | 13195 |
| | 2.99 | | 855 | 33 | 21626 | 20472 | 18926 | 16995 | 14891 |
| | 3.35 | | 888 | 36 | 22460 | 21355 | 19946 | 18060 | 16235 |
| 42AD11B | 4.56 | 5 | 984 | 42 | 24888 | 23902 | 22769 | 21163 | 19518 |
| | 4.98 | | 1014 | 45 | 25647 | 24692 | 23613 | 22129 | 20487 |
| | 5.56 | | 1053 | 48 | 26634 | 25716 | 24704 | 23362 | 21741 |
| 42AD12B | 7.32 | 7-1/2 | 1161 | 57 | 29365 | 28539 | 27657 | 26610 | 25236 |
| | 7.80 | | 1188 | 60 | 30048 | 29240 | 28385 | 27393 | 26099 |
| | 8.13 | | 1206 | 62 | 30503 | 29708 | 28868 | 27910 | 26667 |
| 48AD9B | 1.75 | 2 | 533 | 18.9 | 20886 | 17782 | 13398 | 7244 | 4188 |
| | 1.98 | | 563 | 21 | 22061 | 19051 | 15503 | 8646 | 5264 |
| | 2.25 | | 596 | 23 | 23354 | 20431 | 17900 | 11245 | 7280 |
| 48AD10B | 2.71 | 3 | 650 | 26 | 25470 | 22671 | 20582 | 16255 | 9979 |
| | 2.97 | | 683 | 29 | 26763 | 24032 | 22077 | 18388 | 12135 |
| | 3.13 | | 699 | 30 | 27390 | 24689 | 22786 | 19867 | 15771 |
| 48AD11B | 4.28 | 5 | 771 | 36 | 30212 | 27649 | 25879 | 24023 | 19943 |
| | 4.86 | | 810 | 39 | 31740 | 29255 | 27521 | 25849 | 23188 |
| | 5.15 | | 829 | 41 | 32484 | 30035 | 28315 | 26705 | 24506 |
| | 5.55 | | 852 | 43 | 33386 | 30977 | 29275 | 27727 | 25816 |
| 48AD12B | 7.03 | 7-1/2 | 927 | 50 | 36324 | 34056 | 32382 | 30962 | 29466 |
| | 7.51 | | 949 | 52 | 37187 | 34955 | 33291 | 31895 | 30468 |
| | 8.10 | | 975 | 55 | 38205 | 36016 | 34360 | 32991 | 31626 |

Performance shown is for Installation Type A: free inlet, free outlet. Power rating (BHP) does not include drive losses. Performance ratings do not include the effects of appurtenances in the airstream.

24 EDD - Direct Drive

| Catalog Number | Max. BHP | Mtr. HP | Fan RPM | CFM vs. Static Pressure | | | | | | | | | | | |
|----------------|--|---------|---------|-------------------------|--|-------|-------|-------|-------|-------|-------|------|------|------|------|
| | | | | 0" | 1/8" | 1/4" | 3/8" | 1/2" | 5/8" | 3/4" | 7/8" | 1" | | | |
| 24ED608D08 | .09 .12 .13 .16 .17 .20 .26 .33 .32 .43 .37 .51 | 1/6 | 860 | 2387 | 1734 | | | | | | | | | | |
| 24ED412D08 | | | | 3089 | 2370 | | | | | | | | | | |
| 24ED612D08 | | | | 3001 | 2423 | | | | | | | | | | |
| 24ED416D08 | | | | 3682 | 2961 | | | | | | | | | | |
| 24ED616D08 | | | | 3578 | 3086 | | | | | | | | | | |
| 24ED420D08 | | | | 4291 | 3573 | | | | | | | | | | |
| 24ED620D08 | | .20 | | 1/4 | 4279 | 3767 | | | | | | | | | |
| 24ED424D08 | | | | | 4723 | 4016 | | | | | | | | | |
| 24ED624D08 | | | | | 4954 | 4449 | | | | | | | | | |
| 24ED428D08 | | | | | 5251 | 4518 | | | | | | | | | |
| 24ED628D08 | | .33 | | 1/3 | 5587 | 5009 | | | | | | | | | |
| 24ED432D08 | | | | | 5741 | 4927 | | | | | | | | | |
| 24ED632D08 | | .43 | | 1/2 | 6208 | 5535 | 4627 | | | | | | | | |
| 24ED436D08 | | | | | 6168 | 5287 | | | | | | | | | |
| 24ED636D08 | | | | | 6736 | 6050 | 4943 | | | | | | | | |
| 24ED404D11 | | | | | .12 .17 .15 .20 .22 .27 .30 .38 .41 .51 .50 .66 .63 .82 .75 1.01 .87 | 1/6 | 1140 | 2411 | 1774 | | | | | | |
| 24ED604D11 | 2366 | 1925 | | | | | | | | | | | | | |
| 24ED408D11 | 3228 | 2651 | 1713 | | | | | | | | | | | | |
| 24ED608D11 | 3164 | 2743 | 2137 | | | | | | | | | | | | |
| 24ED412D11 | 4095 | 3584 | 2924 | | | | | | | | | | | | |
| 24ED612D11 | 3979 | 3559 | 3051 | 2018 | | | | | | | | | | | |
| 24ED416D11 | .30 | 1/3 | 4880 | 4346 | | 3767 | | | | | | | | | |
| 24ED616D11 | | | 4742 | 4397 | | 3974 | | 3189 | | | | | | | |
| 24ED420D11 | | | .41 | 1/2 | | 5689 | | 5176 | 4580 | 3661 | | | | | |
| 24ED620D11 | | | | | | 5672 | | 5313 | 4875 | 4253 | | | | | |
| 24ED424D11 | .50 | 3/4 | 6261 | 5730 | | 5178 | | 4331 | | | | | | | |
| 24ED624D11 | | | 6568 | 6200 | | 5791 | | 5191 | | | | | | | |
| 24ED428D11 | | | 6961 | 6406 | | 5842 | | 4930 | | | | | | | |
| 24ED628D11 | | | 7405 | 6980 | | 6524 | | 5907 | | | | | | | |
| 24ED432D11 | .75 | 1 | 7611 | 6976 | | 6381 | | 5549 | | | | | | | |
| 24ED632D11 | | | 8230 | 7700 | | 7227 | | 6649 | 5714 | | | | | | |
| 24ED436D11 | | | 8176 | 7551 | 6824 | 5972 | | | | | | | | | |
| 24ED636D11 | | | | | | | | | | | | | | | |
| 24ED404D17 | .40 .60 .71 .52 .76 .95 1.06 1.31 1.42 1.77 1.73 2.36 2.17 2.90 2.58 | 1/2 | 1725 | 3648 | 3360 | 2877 | 2319 | | | | | | | | |
| 24ED604D17 | | | | 3579 | 3319 | 3003 | 2685 | 2243 | | | | | | | |
| 24ED608D17 | | | | 4787 | 4517 | 4236 | 3909 | 3487 | 2984 | 2460 | | | | | |
| 24ED408D17 | | | | 4885 | 4495 | 4126 | 3688 | 3133 | | | | | | | |
| 24ED412D17 | | | | 6196 | 5863 | 5523 | 5167 | 4764 | 4044 | 2819 | | | | | |
| 24ED612D17 | | | | 6020 | 5737 | 5462 | 5192 | 4870 | 4392 | 3782 | 2921 | | | | |
| 24ED416D17 | | 1.06 | | 1 | 7385 | 7032 | 6679 | 6323 | 5948 | 5471 | 4404 | | | | |
| 24ED616D17 | | | | | 7176 | 6953 | 6724 | 6477 | 6198 | 5863 | 5415 | 4709 | 3229 | | |
| 24ED420D17 | | | | | 1.42 | 1-1/2 | 8608 | 8276 | 7934 | 7571 | 7176 | 6741 | 6228 | 5324 | |
| 24ED620D17 | | | | | | | 8582 | 8351 | 8111 | 7853 | 7562 | 7234 | 6861 | 6348 | 4936 |
| 24ED424D17 | | 1.73 | | 2 | 9474 | 9123 | 8772 | 8422 | 8063 | 7650 | 7116 | | | | |
| 24ED624D17 | | | | | 9938 | 9698 | 9453 | 9200 | 8931 | 8632 | 8272 | 7781 | 7172 | | |
| 24ED428D17 | | | | | 2.17 | 3 | 10533 | 10164 | 9798 | 9437 | 9072 | 8650 | 8079 | | |
| 24ED628D17 | | | | | | | 11206 | 10926 | 10644 | 10355 | 10055 | 9733 | 9360 | 8861 | 8228 |
| 24ED432D17 | | 11516 | | 11088 | 10673 | 10278 | 9891 | 9472 | 8964 | | | | | | |

Performance shown is for Installation Type B: Free Inlet, Ducted Outlet. Power rating (BHP) does not include drive losses. Performance ratings do not include the effects of appurtenances in the airstream. *860 RPM motors are available in single phase voltages on 1/6 and 1/4 horsepower only. **Shaded area - Explosion proof motors have a 1.0 service factor. They cannot be operated at a brake horsepower over the nominal motor horsepower.**

30 EDD - Direct Drive

| Catalog Number | Max. BHP | Mtr. HP | Fan RPM | CFM vs. Static Pressure | | | | | | |
|----------------|----------|---------|---------|-------------------------|-------|-------|-------|-------|-------|-------|
| | | | | 0" | 1/8" | 1/4" | 3/8" | 1/2" | 5/8" | 3/4" |
| 30ED404D08 | .13 | 1/6 | 860 | 3292 | 2087 | | | | | |
| 30ED604D08 | .19 | 1/4 | | 3265 | 2276 | | | | | |
| 30ED408D08 | .18 | | | 4561 | 3635 | | | | | |
| 30ED608D08 | .25 | | | 4478 | 3758 | 2696 | | | | |
| 30ED412D08 | .24 | | | 5682 | 4870 | | | | | |
| 30ED612D08 | .35 | 1/3 | | 5801 | 5214 | 4122 | | | | |
| 30ED416D08 | .37 | 1/2 | | 6960 | 6077 | 4699 | | | | |
| 30ED616D08 | .46 | | | 7098 | 6399 | 5595 | 3419 | | | |
| 30ED420D08 | .49 | | | 8065 | 7100 | 5923 | | | | |
| 30ED620D08 | .60 | 3/4 | | 8137 | 7571 | 6835 | | | | |
| 30ED424D08 | .62 | | | 9318 | 8181 | 7138 | | | | |
| 30ED624D08 | .84 | 1 | | 9586 | 8920 | 8155 | 6863 | | | |
| 30ED428D08 | .77 | | | 10266 | 9143 | 7985 | | | | |
| 30ED628D08 | 1.01 | | | 10662 | 9887 | 9093 | 7670 | | | |
| 30ED432D08 | .95 | 1-1/2 | | 11175 | 10070 | 8961 | | | | |
| 30ED632D08 | 1.25 | | | 11762 | 11008 | 10199 | 8914 | | | |
| 30ED436D08 | 1.11 | | | 12136 | 10962 | | | | | |
| 30ED636D08 | 1.50 | | | 12890 | 12136 | 11322 | 9877 | | | |
| 30ED404D11 | .31 | 1/2 | 1140 | 4364 | 3692 | 2567 | | | | |
| 30ED604D11 | .45 | | | 4327 | 3632 | 2846 | | | | |
| 30ED408D11 | .42 | | | 6045 | 5432 | 4600 | | | | |
| 30ED608D11 | .57 | 3/4 | | 5936 | 5463 | 4822 | 4049 | | | |
| 30ED412D11 | .60 | | | 7532 | 6983 | 6247 | 5065 | | | |
| 30ED612D11 | .80 | 1 | | 7689 | 7271 | 6778 | 5909 | 5085 | | |
| 30ED416D11 | .84 | | | 9226 | 8588 | 7870 | 6969 | | | |
| 30ED616D11 | 1.10 | | | 9410 | 8880 | 8356 | 7803 | 6860 | 5253 | |
| 30ED420D11 | 1.12 | | | 10691 | 9929 | 9251 | 8451 | | | |
| 30ED620D11 | 1.44 | 1-1/2 | | 10787 | 10369 | 9924 | 9395 | 8670 | 7407 | |
| 30ED424D11 | 1.47 | | | 12352 | 11437 | 10667 | 9915 | 8912 | | |
| 30ED624D11 | 1.96 | 2 | | 12706 | 12211 | 11697 | 11138 | 10443 | 9422 | |
| 30ED428D11 | 1.76 | | | 13608 | 12778 | 11900 | 11025 | | | |
| 30ED628D11 | 2.36 | | | 14134 | 13549 | 12964 | 12376 | 11691 | 10509 | |
| 30ED432D11 | 2.22 | 3 | | 14813 | 13925 | 13176 | 12404 | 11262 | | |
| 30ED632D11 | 2.93 | | | 15592 | 15026 | 14451 | 13852 | 13171 | 12162 | 10835 |

Performance shown is for Installation Type B: Free Inlet, Ducted Outlet. Power rating (BHP) does not include drive losses. Performance ratings do not include the effects of appurtenances in the airstream.*860 RPM motors are available in single phase voltages on 1/6 and 1/4 horsepower only. **Shaded area - Explosion proof motors have a 1.0 service factor. They cannot be operated at a brake horsepower over the nominal motor horsepower.**

36 EDD - Direct Drive

| Catalog Number | Max. BHP | Mtr. HP | Fan RPM | CFM vs. Static Pressure | | | | | | | | | | |
|----------------|----------|---------|---------|-------------------------|-------|-------|-------|-------|-------|-------|-------|-------|-------|--|
| | | | | 0" | 1/8" | 1/4" | 3/8" | 1/2" | 5/8" | 3/4" | 7/8" | 1" | | |
| 36ED612D06 | .43 | 3/4 | 680 | 8073 | 7153 | 5692 | | | | | | | | |
| 36ED416D06 | .44 | | | 9625 | 8192 | 6261 | | | | | | | | |
| 36ED616D06 | .55 | | | 9729 | 8666 | 7449 | | | | | | | | |
| 36ED420D06 | .60 | | | 11234 | 9814 | 8164 | | | | | | | | |
| 36ED620D06 | .72 | | | 11280 | 10378 | 9193 | | | | | | | | |
| 36ED424D06 | .74 | | | 12486 | 11247 | 9555 | | | | | | | | |
| 36ED624D06 | .95 | 1 | | 12889 | 11964 | 10810 | | | | | | | | |
| 36ED428D06 | .93 | | | 14064 | 12416 | 10639 | | | | | | | | |
| 36ED628D06 | 1.27 | 1-1/2 | | 14790 | 13727 | 12399 | 10600 | | | | | | | |
| 36ED432D06 | 1.13 | | | 15195 | 13806 | 11903 | | | | | | | | |
| 36ED632D06 | 1.53 | | | 16135 | 15096 | 13527 | 11659 | | | | | | | |
| 36ED436D06 | 1.34 | | | 16591 | 14795 | 12951 | | | | | | | | |
| 36ED636D06 | 1.82 | 2 | 17634 | 16587 | 15127 | 12697 | | | | | | | | |
| 36ED604D08 | .49 | 1/2 | 860 | 5986 | 5113 | 3951 | | | | | | | | |
| 36ED408D08 | .43 | 3/4 | | 7778 | 6830 | 5513 | | | | | | | | |
| 36ED608D08 | .62 | | | 7952 | 7235 | 6421 | 4962 | | | | | | | |
| 36ED412D08 | .63 | | | 10065 | 9164 | 8115 | | | | | | | | |
| 36ED612D08 | .88 | 1 | | 10210 | 9479 | 8744 | 7596 | | | | | | | |
| 36ED416D08 | .89 | | | 12173 | 11129 | 9884 | 8490 | | | | | | | |
| 36ED616D08 | 1.14 | 1-1/2 | | 12304 | 11461 | 10621 | 9658 | 7898 | | | | | | |
| 36ED420D08 | 1.20 | | | 14207 | 13216 | 11819 | 10667 | | | | | | | |
| 36ED620D08 | 1.58 | | | 14266 | 13566 | 12810 | 11872 | 10260 | | | | | | |
| 36ED424D08 | 1.49 | | | 15791 | 14854 | 13737 | 12392 | | | | | | | |
| 36ED624D08 | 1.97 | 2 | | 16300 | 15581 | 14813 | 13898 | 12340 | | | | | | |
| 36ED428D08 | 1.88 | | | 17787 | 16379 | 15288 | 13911 | | | | | | | |
| 36ED628D08 | 2.57 | 3 | | 18705 | 17881 | 16990 | 15922 | 14611 | 13026 | | | | | |
| 36ED432D08 | 2.28 | | | 19218 | 18154 | 16944 | 15405 | | | | | | | |
| 36ED632D08 | 3.10 | | | 20406 | 19608 | 18710 | 17416 | 16023 | 14133 | | | | | |
| 36ED436D08 | 2.72 | | | 20982 | 19601 | 18091 | 16674 | | | | | | | |
| 36ED604D11 | .78 | | | 1140 | 7844 | 6934 | 5755 | 4406 | | | | | | |
| 36ED604D11 | 1.15 | 1 | | | 7934 | 7294 | 6621 | 5909 | 4839 | | | | | |
| 36ED408D11 | 1.00 | | 10310 | | 9562 | 8889 | 7984 | 6631 | | | | | | |
| 36ED608D11 | 1.44 | | 10542 | | 10005 | 9455 | 8864 | 8106 | 6896 | 5847 | 4680 | | | |
| 36ED412D11 | 1.54 | 1-1/2 | 13343 | | 12674 | 11973 | 11200 | 10276 | 8468 | | | | | |
| 36ED612D11 | 2.03 | | 13534 | | 12981 | 12433 | 11886 | 11282 | 10411 | 8891 | 7176 | | | |
| 36ED416D11 | 2.07 | 2 | 16137 | | 15377 | 14534 | 13553 | 12696 | 11695 | | | | | |
| 36ED616D11 | 2.66 | | 16310 | | 15673 | 15039 | 14409 | 13756 | 13026 | 12105 | 10547 | | | |
| 36ED420D11 | 2.84 | | 18833 | | 18112 | 17307 | 16222 | 15243 | 14409 | 12930 | | | | |
| 36ED620D11 | 3.68 | 3 | 18910 | | 18386 | 17850 | 17287 | 16675 | 15962 | 14997 | 13641 | 9551 | | |
| 36ED424D11 | 3.53 | | 20933 | | 20238 | 19507 | 18689 | 17729 | 16717 | 15473 | 13161 | | | |
| 36ED624D11 | 4.67 | | 5 | | 21608 | 21069 | 20520 | 19946 | 19331 | 18636 | 17744 | 16401 | 14990 | |
| 36ED428D11 | 4.36 | | | | 23579 | 22465 | 21490 | 20667 | 19868 | 18833 | 17149 | 15424 | | |

Performance shown is for Installation Type B: Free Inlet, Ducted Outlet. Power rating (BHP) does not include drive losses. Performance ratings do not include the effects of appurtenances in the airstream. *860 RPM motors are available in single phase voltages on 1/6 and 1/4 horsepower only. **Shaded area - Explosion proof motors have a 1.0 service factor. They cannot be operated at a brake horsepower over the nominal motor horsepower.**

42 EDD - Direct Drive

| Catalog Number | Max. BHP | Mtr. HP | Fan RPM | CFM vs. Static Pressure | | | | | | | | | |
|----------------|----------|---------|---------|-------------------------|-------|-------|-------|-------|-------|-------|-------|----|--|
| | | | | 0" | 1/8" | 1/4" | 3/8" | 1/2" | 5/8" | 3/4" | 7/8" | 1" | |
| 42ED412D06 | .70 | 3/4 | 680 | 12476 | 11126 | 9159 | | | | | | | |
| 42ED612D06 | .94 | 1 | | 12409 | 11494 | 10273 | 8326 | | | | | | |
| 42ED416D06 | .93 | 1-1/2 | | 14804 | 13405 | 11584 | 8624 | | | | | | |
| 42ED616D06 | 1.28 | | | 15137 | 14056 | 12779 | 10878 | | | | | | |
| 42ED420D06 | 1.23 | 2 | | 17643 | 15766 | 14151 | | | | | | | |
| 42ED620D06 | 1.68 | | | 17637 | 16663 | 15431 | 13537 | 9246 | | | | | |
| 42ED424D06 | 1.62 | | | 19914 | 18048 | 16150 | 13641 | | | | | | |
| 42ED624D06 | 2.20 | | | 20393 | 19243 | 17864 | 15938 | 13559 | | | | | |
| 42ED428D06 | 1.92 | | | 21558 | 19916 | 17967 | 14503 | | | | | | |
| 42ED628D06 | 2.66 | | | 23173 | 21919 | 20241 | 18099 | | | | | | |
| 42ED432D06 | 2.41 | 3 | | 23499 | 21952 | 20226 | | | | | | | |
| 42ED632D06 | 3.30 | | | 25208 | 24081 | 22592 | 19838 | 17546 | | | | | |
| 42ED436D06 | 2.83 | | 25361 | 23764 | 21600 | | | | | | | | |
| 42ED404D08 | .80 | 1 | 9530 | 8459 | 6818 | | | | | | | | |
| 42ED604D08 | 1.05 | | 8806 | 7873 | 6965 | 5468 | | | | | | | |
| 42ED408D08 | 1.00 | | 12591 | 11601 | 9876 | 7926 | 5946 | | | | | | |
| 42ED608D08 | 1.33 | 1-1/2 | 12184 | 11482 | 10116 | 9099 | 7804 | | | | | | |
| 42ED412D08 | 1.40 | | 15778 | 14763 | 13521 | 11922 | | | | | | | |
| 42ED612D08 | 1.88 | 2 | 15693 | 14988 | 14208 | 13219 | 11983 | 10022 | | | | | |
| 42ED416D08 | 1.92 | 3 | 18722 | 17616 | 16503 | 15081 | 12739 | | | | | | |
| 42ED616D08 | 2.62 | | 19144 | 18301 | 17410 | 16391 | 15087 | 13386 | | | | | |
| 42ED420D08 | 2.58 | 5 | 22313 | 20682 | 19502 | 18267 | 16096 | | | | | | |
| 42ED620D08 | 3.42 | | 22306 | 21549 | 20737 | 19756 | 18377 | 16768 | 14224 | | | | |
| 42ED424D08 | 3.26 | | 25186 | 23714 | 22228 | 20728 | 19109 | | | | | | |
| 42ED624D08 | 4.49 | | 25791 | 24895 | 23947 | 22846 | 21436 | 19825 | 18086 | | | | |
| 42ED428D08 | 3.95 | | 27265 | 25983 | 24634 | 23086 | 20801 | 17777 | | | | | |
| 42ED628D08 | 5.49 | | 29307 | 28337 | 27278 | 25930 | 24193 | 22561 | 20671 | | | | |
| 42ED432D08 | 4.88 | 7-1/2 | 29720 | 28508 | 27252 | 25881 | 24078 | | | | | | |
| 42ED632D08 | 6.68 | | 31880 | 31006 | 30060 | 28882 | 26740 | 24741 | 23019 | | | | |
| 42ED436D08 | 5.74 | | 32075 | 30840 | 29491 | 27757 | 25089 | | | | | | |
| 42ED636D08 | 7.88 | 34381 | 33440 | 32462 | 31395 | 30103 | 28175 | | | | | | |
| 42ED404D11 | 1.87 | 2 | 12632 | 11925 | 10912 | 9638 | 8329 | | | | | | |
| 42ED604D11 | 2.45 | 3 | 11674 | 10942 | 10282 | 9627 | 8770 | 7527 | 6567 | 5625 | | | |
| 42ED408D11 | 2.34 | | 16691 | 16015 | 15082 | 13506 | 12715 | 11145 | 9502 | 7941 | | | |
| 42ED608D11 | 3.11 | | 16152 | 15644 | 15075 | 14171 | 12952 | 12249 | 11492 | 10387 | 8738 | | |
| 42ED412D11 | 3.31 | 5 | 20916 | 20165 | 19371 | 18468 | 17362 | 16145 | 14847 | 13104 | | | |
| 42ED612D11 | 4.41 | | 20803 | 20275 | 19734 | 19156 | 18510 | 17749 | 16885 | 15915 | 14660 | | |
| 42ED416D11 | 4.46 | | 24818 | 23984 | 23149 | 22314 | 21441 | 20371 | 18706 | 16934 | 15265 | | |
| 42ED616D11 | 5.93 | | 25376 | 24745 | 24104 | 23436 | 22730 | 21955 | 21075 | 20031 | 18807 | | |
| 42ED420D11 | 6.01 | 7-1/2 | 29577 | 28270 | 27166 | 26273 | 25451 | 24530 | 23085 | 21383 | | | |
| 42ED620D11 | 7.83 | | 29568 | 29001 | 28422 | 27815 | 27159 | 26416 | 25494 | 24392 | 23231 | | |
| 42ED424D11 | 7.61 | 10 | 33386 | 32277 | 31164 | 30044 | 28916 | 27785 | 26632 | 25370 | 23768 | | |
| 42ED624D11 | 9.89 | | 34187 | 33516 | 32832 | 32121 | 31365 | 30535 | 29563 | 28448 | 27251 | | |
| 42ED428D11 | 9.20 | | 36141 | 35180 | 34203 | 33194 | 32128 | 30955 | 29546 | 27638 | 25296 | | |

Performance shown is for Installation Type B: Free Inlet, Ducted Outlet. Power rating (BHP) does not include drive losses. Performance ratings do not include the effects of appurtenances in the airstream. *860 RPM motors are available in single phase voltages on 1/6 and 1/4 horsepower only. **Shaded area - Explosion proof motors have a 1.0 service factor. They cannot be operated at a brake horsepower over the nominal motor horsepower.**

48 EDD - Direct Drive

| Catalog Number | Max. BHP | Mtr. HP | Fan RPM | CFM vs. Static Pressure | | | | | | | | |
|----------------|----------|---------|---------|-------------------------|-------|-------|-------|-------|-------|-------|-------|----|
| | | | | 0" | 1/8" | 1/4" | 3/8" | 1/2" | 5/8" | 3/4" | 7/8" | 1" |
| 48ED604D06 | 1.04 | 1 | 680 | 11040 | 9434 | 7741 | 5518 | | | | | |
| 48ED408D06 | .96 | | | 14147 | 12952 | 10454 | 7589 | | | | | |
| 48ED608D06 | 1.27 | 1-1/2 | | 14147 | 13249 | 11933 | 9964 | | | | | |
| 48ED412D06 | 1.31 | | | 18417 | 16804 | 14659 | 10725 | | | | | |
| 48ED612D06 | 1.86 | 2 | | 19536 | 17868 | 16377 | 13963 | 12011 | | | | |
| 48ED416D06 | 1.76 | | | 21556 | 20244 | 18037 | 13996 | | | | | |
| 48ED616D06 | 2.54 | 3 | | 22821 | 21797 | 20663 | 19088 | 15943 | | | | |
| 48ED420D06 | 2.36 | | | 26280 | 24080 | 21290 | 18084 | 13983 | | | | |
| 48ED424D06 | 2.80 | | | 27685 | 26000 | 23966 | 21092 | 14290 | | | | |
| 48ED604D08 | 2.11 | 2 | | 860 | 13963 | 12981 | 11105 | 9989 | 8803 | | | |
| 48ED408D08 | 1.93 | | 17892 | | 16970 | 15954 | 14173 | 11097 | | | | |
| 48ED608D08 | 2.63 | 3 | 17891 | | 17201 | 16425 | 15348 | 14084 | 12039 | 10249 | | |
| 48ED412D08 | 2.65 | | 23292 | | 22035 | 20706 | 19035 | 15189 | 13194 | | | |
| 48ED612D08 | 3.74 | 5 | 24708 | | 23355 | 22127 | 20973 | 19181 | 17377 | 15980 | 12795 | |
| 48ED416D08 | 3.57 | | 27262 | | 26260 | 25110 | 23255 | 21461 | 17275 | | | |
| 48ED616D08 | 5.23 | | 28862 | | 28060 | 27229 | 26330 | 25269 | 23753 | 20812 | 19184 | |
| 48ED420D08 | 4.85 | 7-1/2 | 33236 | | 31561 | 29606 | 27307 | 25569 | 21248 | 18673 | | |
| 48ED620D08 | 6.70 | | 34343 | | 33351 | 32328 | 31216 | 29933 | 28284 | 26218 | 23875 | |
| 48ED424D08 | 5.68 | | 35013 | | 33701 | 32307 | 30679 | 28659 | 26081 | 20432 | | |
| 48ED624D08 | 8.47 | 10 | 39008 | 37515 | 36115 | 34854 | 33646 | 32315 | 30497 | 28221 | | |
| 48ED428D08 | 7.55 | | 40680 | 38848 | 37088 | 35411 | 33658 | 31557 | 28892 | | | |
| 48ED628D08 | 10.28 | | 43442 | 42223 | 40944 | 39512 | 37714 | 35345 | 32800 | 30794 | | |
| 48ED432D08 | 9.19 | | 43841 | 42284 | 40653 | 38823 | 36660 | 33935 | 28325 | | | |
| 48ED404D11 | 3.32 | 3 | 1140 | 18427 | 17588 | 16629 | 15342 | 13506 | 11090 | 9343 | | |
| 48ED604D11 | 4.91 | 5 | | 18509 | 17805 | 16978 | 15434 | 14250 | 13448 | 12679 | 11706 | |
| 48ED408D11 | 4.54 | | | 23718 | 23029 | 22319 | 21565 | 20715 | 19442 | 16432 | 14748 | |
| 48ED608D11 | 6.02 | 7-1/2 | | 23717 | 23201 | 22670 | 22096 | 21437 | 20603 | 19640 | 18698 | |
| 48ED412D11 | 6.18 | | | 30876 | 29933 | 28974 | 27980 | 26917 | 25658 | 23599 | 20195 | |
| 48ED612D11 | 8.57 | 10 | | 32752 | 31718 | 30722 | 29787 | 28917 | 28053 | 27022 | 25478 | |
| 48ED416D11 | 8.28 | | | 36138 | 35390 | 34614 | 33770 | 32780 | 31327 | 29712 | 28486 | |
| 48ED616D11 | 11.0 | | | 38258 | 37656 | 37047 | 36424 | 35777 | 35095 | 34358 | 33522 | |
| 48ED420D11 | 10.95 | | | 44058 | 42809 | 41509 | 40079 | 38382 | 36620 | 35196 | 33931 | |

Performance shown is for Installation Type B: Free Inlet, Ducted Outlet. Power rating (BHP) does not include drive losses. Performance ratings do not include the effects of appurtenances in the airstream. *860 RPM motors are available in single phase voltages on 1/6 and 1/4 horsepower only. **Shaded area - Explosion proof motors have a 1.0 service factor. They cannot be operated at a brake horsepower over the nominal motor horsepower.**

24 EDB - Belt Drive

| Catalog Number | Max. BHP | Mtr. HP | Fan RPM | CFM vs. Static Pressure | | | | | | | | | |
|----------------|----------|---------|---------|-------------------------|------|------|------|------|------|------|------|----|--|
| | | | | 0" | 1/8" | 1/4" | 3/8" | 1/2" | 5/8" | 3/4" | 7/8" | 1" | |
| 24-EDB | .32 | 1/2 | 867 | 4809 | 4250 | 3396 | | | | | | | |
| | .37 | | 910 | 5048 | 4527 | 3814 | | | | | | | |
| | .45 | | 967 | 5364 | 4886 | 4233 | | | | | | | |
| | .50 | | 1002 | 5558 | 5102 | 4478 | | | | | | | |
| | .54 | | 1034 | 5736 | 5297 | 4701 | 3607 | | | | | | |
| | .67 | 3/4 | 1107 | 6141 | 5736 | 5208 | 4611 | | | | | | |
| | .75 | | 1147 | 6362 | 5974 | 5482 | 4917 | | | | | | |
| | .82 | | 1184 | 6568 | 6193 | 5731 | 5182 | | | | | | |
| | .89 | 1 | 1219 | 6762 | 6399 | 5963 | 5427 | 4693 | | | | | |
| | 1.00 | | 1263 | 7006 | 6657 | 6250 | 5734 | 5197 | | | | | |
| | 1.10 | | 1303 | 7228 | 6891 | 6505 | 6012 | 5518 | | | | | |
| | 1.35 | 1-1/2 | 1396 | 7744 | 7430 | 7085 | 6655 | 6186 | 5657 | | | | |
| | 1.50 | | 1446 | 8021 | 7719 | 7392 | 6992 | 6534 | 6086 | | | | |
| | 1.65 | | 1492 | 8276 | 7984 | 7670 | 7297 | 6855 | 6430 | 5732 | | | |
| | 1.80 | 2 | 1537 | 8526 | 8242 | 7941 | 7591 | 7168 | 6750 | 6272 | | | |
| | 2.01 | | 1592 | 8831 | 8558 | 8270 | 7942 | 7547 | 7134 | 6729 | 5776 | | |
| | 2.20 | | 1643 | 9114 | 8849 | 8573 | 8265 | 7894 | 7489 | 7105 | 6608 | | |
| | 2.25 | 3 | 1655 | 9180 | 8918 | 8643 | 8340 | 7975 | 7573 | 7191 | 6725 | | |
| 2.70 | 1759 | | 9757 | 9510 | 9255 | 8980 | 8663 | 8295 | 7919 | 7561 | 7089 | | |
| 3.01 | 1822 | | 10107 | 9869 | 9624 | 9362 | 9067 | 8725 | 8358 | 8010 | 7644 | | |

30 EDB - Belt Drive

| Catalog Number | Max. BHP | Mtr. HP | Fan RPM | CFM vs. Static Pressure | | | | | | | | | |
|----------------|----------|---------|---------|-------------------------|-------|-------|-------|-------|-------|-------|------|----|--|
| | | | | 0" | 1/8" | 1/4" | 3/8" | 1/2" | 5/8" | 3/4" | 7/8" | 1" | |
| 30-EDB | .42 | 1/2 | 696 | 7396 | 6526 | | | | | | | | |
| | .49 | | 721 | 7662 | 6841 | 5308 | | | | | | | |
| | .55 | | 744 | 7906 | 7124 | 5717 | | | | | | | |
| | .67 | 3/4 | 797 | 8470 | 7760 | 6582 | | | | | | | |
| | .74 | | 825 | 8767 | 8087 | 7012 | | | | | | | |
| | .81 | | 852 | 9054 | 8400 | 7415 | | | | | | | |
| | .89 | 1 | 877 | 9320 | 8689 | 7779 | 6382 | | | | | | |
| | 1.00 | | 909 | 9660 | 9055 | 8230 | 6964 | | | | | | |
| | 1.09 | | 938 | 9968 | 9384 | 8624 | 7450 | | | | | | |
| | 1.12 | 1-1/2 | 945 | 10043 | 9463 | 8717 | 7564 | | | | | | |
| | 1.33 | | 1004 | 10670 | 10129 | 9480 | 8491 | 7186 | | | | | |
| | 1.49 | | 1040 | 11052 | 10532 | 9927 | 9030 | 7875 | | | | | |
| | 1.64 | 2 | 1074 | 11413 | 10910 | 10338 | 9525 | 8453 | | | | | |
| | 1.79 | | 1106 | 11753 | 11266 | 10722 | 9978 | 8973 | | | | | |
| | 1.98 | | 1145 | 12168 | 11698 | 11183 | 10512 | 9586 | 8486 | | | | |
| | 2.19 | 3 | 1183 | 12572 | 12118 | 11626 | 11014 | 10162 | 9152 | | | | |
| | 2.24 | | 1191 | 12657 | 12206 | 11718 | 11117 | 10281 | 9287 | | | | |
| | 2.68 | | 1266 | 13454 | 13031 | 12583 | 12062 | 11366 | 10497 | 9509 | | | |
| 3.00 | 3 | 1312 | 13943 | 13535 | 13106 | 12621 | 12001 | 11202 | 10296 | | | | |
| 3.29 | | 1354 | 14389 | 13994 | 13582 | 13125 | 12560 | 11825 | 10981 | 10026 | | | |

Performance shown is for Installation Type B: Free Inlet, Ducted Outlet. Power rating (BHP) does not include drive losses. Performance ratings do not include the effects of appurtenances in the airstream.

36 EDB - Belt Drive

| Catalog Number | Max. BHP | Mtr. HP | Fan RPM | CFM vs. Static Pressure | | | | | | | | |
|----------------|----------|---------|---------|-------------------------|-------|-------|-------|-------|-------|-------|-------|-------|
| | | | | 0" | 1/8" | 1/4" | 3/8" | 1/2" | 5/8" | 3/4" | 7/8" | 1" |
| 36-EDB | .53 | 3/4 | 554 | 10095 | 8824 | | | | | | | |
| | .67 | | 589 | 10732 | 9532 | 7651 | | | | | | |
| | .74 | | 610 | 11115 | 9952 | 8307 | | | | | | |
| | .82 | | 630 | 11479 | 10348 | 8907 | | | | | | |
| | .88 | 1 | 648 | 11807 | 10702 | 9418 | | | | | | |
| | .97 | | 671 | 12227 | 11154 | 10014 | | | | | | |
| | 1.08 | | 693 | 12627 | 11583 | 10539 | 8323 | | | | | |
| | 1.34 | 1-1/2 | 742 | 13520 | 12537 | 11618 | 10018 | | | | | |
| | 1.48 | | 769 | 14012 | 13059 | 12182 | 10833 | | | | | |
| | 1.62 | | 794 | 14468 | 13542 | 12694 | 11545 | 9270 | | | | |
| | 1.79 | 2 | 817 | 14887 | 13985 | 13160 | 12146 | 10278 | | | | |
| | 1.99 | | 846 | 15415 | 14542 | 13741 | 12845 | 11233 | | | | |
| | 2.19 | | 874 | 15925 | 15078 | 14298 | 13480 | 12091 | | | | |
| | 2.70 | 3 | 936 | 17055 | 16261 | 15520 | 14799 | 13836 | 12249 | | | |
| | 2.98 | | 969 | 17656 | 16888 | 16166 | 15476 | 14650 | 13271 | | | |
| | 3.30 | | 1001 | 18240 | 17494 | 16790 | 16125 | 15382 | 14227 | 12602 | | |
| | 3.74 | 5 | 1044 | 19023 | 18308 | 17626 | 16987 | 16318 | 15404 | 14004 | | |
| | 4.50 | | 1110 | 20226 | 19552 | 18903 | 18293 | 17689 | 16989 | 15969 | 14573 | |
| | 4.99 | | 1150 | 20955 | 20304 | 19674 | 19080 | 18502 | 17872 | 17040 | 15808 | 14337 |
| | 5.51 | | 1187 | 21629 | 20997 | 20385 | 19803 | 19245 | 18658 | 17948 | 16909 | 15590 |
| 6.68 | 7-1/2 | 1271 | 23159 | 22569 | 21992 | 21439 | 20912 | 20388 | 19821 | 19116 | 18136 | |
| 7.36 | | 1316 | 23979 | 23409 | 22850 | 22311 | 21798 | 21294 | 20768 | 20162 | 19366 | |
| 8.05 | | 1359 | 24763 | 24210 | 23667 | 23142 | 22640 | 22153 | 21655 | 21110 | 20442 | |

42 EDB - Belt Drive

| Catalog Number | Max. BHP | Mtr. HP | Fan RPM | CFM vs. Static Pressure | | | | | | | | |
|----------------|----------|---------|---------|-------------------------|-------|-------|-------|-------|-------|-------|-------|-------|
| | | | | 0" | 1/8" | 1/4" | 3/8" | 1/2" | 5/8" | 3/4" | 7/8" | 1" |
| 42-EDB | .99 | 1 | 516 | 15247 | 13683 | 11201 | | | | | | |
| | 1.09 | | 533 | 15750 | 14237 | 11915 | | | | | | |
| | 1.11 | 1-1/2 | 537 | 15868 | 14365 | 12092 | | | | | | |
| | 1.32 | | 571 | 16872 | 15455 | 13615 | | | | | | |
| | 1.47 | | 591 | 17463 | 16090 | 14466 | 11982 | | | | | |
| | 1.64 | | 611 | 18054 | 16721 | 15258 | 12849 | | | | | |
| | 1.79 | 2 | 629 | 18586 | 17288 | 15929 | 13597 | | | | | |
| | 1.99 | | 651 | 19236 | 17977 | 16710 | 14516 | | | | | |
| | 2.18 | | 672 | 19857 | 18633 | 17433 | 15444 | 13329 | | | | |
| | 2.69 | 3 | 720 | 21275 | 20125 | 19032 | 17562 | 15440 | | | | |
| | 2.99 | | 746 | 22044 | 20929 | 19881 | 18600 | 16522 | 14606 | | | |
| | 3.28 | | 770 | 22753 | 21671 | 20656 | 19496 | 17564 | 15779 | | | |
| | 3.72 | 5 | 803 | 23728 | 22687 | 21712 | 20664 | 19052 | 17180 | | | |
| | 4.48 | | 854 | 25235 | 24253 | 23330 | 22392 | 21189 | 19335 | 17746 | | |
| | 4.97 | | 884 | 26121 | 25171 | 24274 | 23381 | 22322 | 20682 | 19000 | 17360 | |
| | 5.49 | | 913 | 26978 | 26056 | 25184 | 24327 | 23363 | 21967 | 20208 | 18755 | |
| | 6.74 | 7-1/2 | 978 | 28899 | 28036 | 27212 | 26417 | 25584 | 24571 | 23089 | 21484 | 20136 |
| | 7.48 | | 1013 | 29933 | 29100 | 28299 | 27531 | 26744 | 25848 | 24616 | 22989 | 21618 |
| | 8.25 | | 1046 | 30908 | 30100 | 29320 | 28575 | 27822 | 27003 | 25954 | 24473 | 22988 |
| | 8.97 | 10 | 1076 | 31795 | 31009 | 30247 | 29520 | 28795 | 28018 | 27090 | 25807 | 24271 |
| 9.91 | 1115 | | 32947 | 32188 | 31450 | 30744 | 30047 | 29323 | 28501 | 27439 | 26017 | |
| 10.79 | 1151 | | 34011 | 33275 | 32557 | 31870 | 31196 | 30504 | 29757 | 28841 | 27620 | |

Performance shown is for Installation Type B: Free Inlet, Ducted Outlet. Power rating (BHP) does not include drive losses. Performance ratings do not include the effects of appurtenances in the airstream.

48 EDB - Belt Drive

| Catalog Number | Max. BHP | Mtr. HP | Fan RPM | CFM vs. Static Pressure | | | | | | | | |
|----------------|----------|---------|---------|-------------------------|-------|-------|-------|-------|-------|-------|-------|-------|
| | | | | 0" | 1/8" | 1/4" | 3/8" | 1/2" | 5/8" | 3/4" | 7/8" | 1" |
| 48-EDB | 1.30 | 1-1/2 | 476 | 21240 | 19176 | 15608 | | | | | | |
| | 1.42 | | 493 | 21998 | 20029 | 16703 | | | | | | |
| | 1.58 | | 509 | 22712 | 20823 | 17762 | 13313 | | | | | |
| | 1.78 | 2 | 524 | 23381 | 21559 | 18762 | 14995 | | | | | |
| | 1.98 | | 543 | 24229 | 22484 | 19990 | 16484 | | | | | |
| | 2.17 | | 561 | 25032 | 23353 | 21090 | 17698 | | | | | |
| | 1.93 | 3 | 538 | 24006 | 22241 | 19673 | 16120 | | | | | |
| | 2.21 | | 565 | 25211 | 23545 | 21326 | 17960 | | | | | |
| | 2.66 | | 600 | 26773 | 25218 | 23302 | 20211 | 16840 | | | | |
| | 2.98 | | 622 | 27754 | 26260 | 24481 | 21661 | 18670 | | | | |
| | 3.26 | 5 | 642 | 28647 | 27203 | 25527 | 22994 | 20055 | | | | |
| | 3.70 | | 670 | 29896 | 28519 | 26959 | 24791 | 21871 | 18745 | | | |
| | 4.46 | | 712 | 31770 | 30478 | 29060 | 27274 | 24597 | 22035 | | | |
| | 4.96 | | 738 | 32930 | 31686 | 30340 | 28709 | 26331 | 23741 | 20934 | | |
| | 5.49 | 7-1/2 | 762 | 34001 | 32798 | 31509 | 29994 | 27896 | 25278 | 22881 | | |
| | 6.72 | | 815 | 36366 | 35244 | 34063 | 32734 | 31091 | 28766 | 26428 | 24117 | |
| | 7.44 | | 845 | 37705 | 36623 | 35496 | 34247 | 32763 | 30741 | 28355 | 26246 | 23459 |
| | 8.23 | 10 | 872 | 38910 | 37863 | 36776 | 35590 | 34220 | 32440 | 30124 | 28013 | 25841 |
| | 8.95 | | 898 | 40070 | 39054 | 38003 | 36872 | 35583 | 33993 | 31859 | 29680 | 27694 |
| | 9.82 | | 930 | 41498 | 40518 | 39509 | 38432 | 37233 | 35816 | 33955 | 31752 | 29805 |
| 10.66 | 960 | | 42836 | 41888 | 40915 | 39887 | 38758 | 37455 | 35830 | 33749 | 31729 | |
| 12.60 | 15 | 1028 | 45870 | 44985 | 44082 | 43144 | 42139 | 41027 | 39750 | 38151 | 36193 | |
| 13.75 | | 1065 | 47521 | 46667 | 45799 | 44900 | 43946 | 42911 | 41750 | 40366 | 38636 | |
| 14.92 | | 1099 | 49038 | 48211 | 47372 | 46506 | 45598 | 44617 | 43537 | 42300 | 40786 | |

54 EDB - Belt Drive

| Catalog Number | Max. BHP | Mtr. HP | Fan RPM | CFM vs. Static Pressure | | | | | | | | |
|----------------|----------|---------|---------|-------------------------|-------|-------|-------|-------|-------|-------|-------|-------|
| | | | | 0" | 1/8" | 1/4" | 3/8" | 1/2" | 5/8" | 3/4" | 7/8" | 1" |
| 54-EDB | 2.22 | 3 | 465 | 29740 | 27015 | 22202 | | | | | | |
| | 2.63 | | 495 | 31659 | 29192 | 24892 | | | | | | |
| | 2.88 | | 512 | 32746 | 30391 | 26378 | 21124 | | | | | |
| | 3.24 | | 529 | 33834 | 31582 | 27849 | 23219 | | | | | |
| | 3.17 | 5 | 526 | 33642 | 31373 | 27589 | 22887 | | | | | |
| | 3.72 | | 552 | 35305 | 33172 | 29824 | 25548 | | | | | |
| | 4.43 | | 587 | 37543 | 35566 | 32746 | 28778 | 23733 | | | | |
| | 4.91 | | 608 | 38886 | 36987 | 34424 | 30641 | 26499 | | | | |
| | 5.48 | 7-1/2 | 628 | 40166 | 38334 | 35977 | 32387 | 28586 | | | | |
| | 4.76 | | 603 | 38567 | 36650 | 34030 | 30201 | 25926 | | | | |
| | 5.59 | | 632 | 40421 | 38603 | 36280 | 32734 | 28978 | | | | |
| | 6.66 | | 672 | 42980 | 41284 | 39254 | 36180 | 32708 | 28733 | | | |
| | 7.44 | 10 | 696 | 44515 | 42882 | 40993 | 38214 | 34848 | 31344 | | | |
| | 8.23 | | 719 | 45986 | 44408 | 42622 | 40111 | 36862 | 33591 | 29079 | | |
| | 6.45 | | 664 | 42468 | 40749 | 38672 | 35493 | 31983 | 27708 | | | |
| | 7.44 | | 696 | 44515 | 42882 | 40993 | 38214 | 34848 | 31344 | | | |
| | 8.93 | 15 | 740 | 47329 | 45798 | 44096 | 41795 | 38682 | 35541 | 31922 | | |
| | 9.93 | | 766 | 48992 | 47516 | 45905 | 43825 | 40922 | 37885 | 34695 | 29223 | |
| | 10.95 | | 791 | 50591 | 49165 | 47622 | 45715 | 43057 | 40090 | 37114 | 33477 | |
| | 9.68 | | 760 | 48608 | 47120 | 45491 | 43367 | 40406 | 37349 | 34090 | | |
| | 11.19 | 20 | 797 | 50975 | 49560 | 48033 | 46167 | 43564 | 40615 | 37676 | 34217 | |
| | 13.45 | | 847 | 54172 | 52846 | 51441 | 49814 | 47670 | 44943 | 42200 | 39392 | 35964 |
| | 14.93 | | 878 | 56155 | 54876 | 53531 | 52019 | 50109 | 47601 | 44921 | 42273 | 39407 |
| | 16.46 | | 906 | 57946 | 56707 | 55414 | 53985 | 52232 | 49960 | 47349 | 44795 | 42162 |
| | 12.97 | 20 | 837 | 53533 | 52190 | 50765 | 49090 | 46869 | 44082 | 41313 | 38426 | 34628 |
| | 14.93 | | 878 | 56155 | 54876 | 53531 | 52019 | 50109 | 47601 | 44921 | 42273 | 39407 |
| | 17.91 | | 933 | 59673 | 58470 | 57224 | 55867 | 54250 | 52173 | 49676 | 47179 | 44678 |
| | 19.69 | | 966 | 61783 | 60623 | 59428 | 58135 | 56649 | 54797 | 52500 | 50054 | 47660 |
| | 21.43 | 997 | 63766 | 62642 | 61488 | 60257 | 58881 | 57192 | 55103 | 52732 | 50400 | |

Performance shown is for Installation Type B: Free Inlet, Ducted Outlet. Power rating (BHP) does not include drive losses. Performance ratings do not include the effects of appurtenances in the airstream.

60 EDB - Belt Drive

| Catalog Number | Max. BHP | Mtr. HP | Fan RPM | CFM vs. Static Pressure | | | | | | | | | |
|----------------|----------|---------|---------|-------------------------|-------|-------|-------|-------|-------|-------|-------|-------|--|
| | | | | 0" | 1/8" | 1/4" | 3/8" | 1/2" | 5/8" | 3/4" | 7/8" | 1" | |
| 60-EDB | 2.97 | 3 | 438 | 37794 | 34806 | 31360 | 26445 | | | | | | |
| | 3.23 | | 452 | 39002 | 36112 | 32851 | 28302 | | | | | | |
| | 3.20 | 5 | 450 | 38829 | 35926 | 32639 | 28037 | | | | | | |
| | 3.69 | | 472 | 40727 | 37969 | 34925 | 30898 | 25901 | | | | | |
| | 4.47 | | 502 | 43316 | 40730 | 37947 | 34550 | 30037 | | | | | |
| | 4.93 | | 520 | 44869 | 42376 | 39722 | 36604 | 32426 | 27758 | | | | |
| | 5.43 | | 536 | 46250 | 43834 | 41282 | 38361 | 34520 | 30158 | | | | |
| | 4.80 | 7-1/2 | 515 | 44438 | 41920 | 39230 | 36041 | 31764 | 26902 | | | | |
| | 5.56 | | 540 | 46595 | 44198 | 41669 | 38789 | 35036 | 30717 | | | | |
| | 6.66 | | 574 | 49529 | 47278 | 44933 | 42354 | 39229 | 35276 | 31105 | | | |
| | 7.45 | | 595 | 51341 | 49171 | 46924 | 44490 | 41654 | 38043 | 34124 | | | |
| | 8.19 | | 614 | 52980 | 50879 | 48715 | 46394 | 43759 | 40473 | 36679 | 32634 | | |
| | 6.44 | 10 | 567 | 48925 | 46646 | 44267 | 41631 | 38391 | 34344 | 29973 | | | |
| | 7.45 | | 595 | 51341 | 49171 | 46924 | 44490 | 41654 | 38043 | 34124 | | | |
| | 8.89 | | 632 | 54533 | 52493 | 50397 | 48171 | 45691 | 42691 | 39069 | 35369 | | |
| | 9.95 | | 655 | 56518 | 54551 | 52537 | 50418 | 48101 | 45400 | 42089 | 38524 | 34657 | |
| | 10.89 | | 676 | 58330 | 56425 | 54481 | 52447 | 50256 | 47772 | 44761 | 41319 | 37863 | |
| | 9.72 | 15 | 650 | 56086 | 54104 | 52072 | 49933 | 47583 | 44825 | 41441 | 37854 | 33756 | |
| | 11.15 | | 681 | 58761 | 56871 | 54943 | 52928 | 50762 | 48323 | 45384 | 41983 | 38572 | |
| | 13.37 | | 724 | 62472 | 60694 | 58889 | 57023 | 55054 | 52917 | 50476 | 47576 | 44348 | |
| 14.67 | 750 | | 64715 | 63000 | 61261 | 59476 | 57604 | 55601 | 53375 | 50777 | 47779 | | |
| 15.88 | 774 | | 66786 | 65124 | 63444 | 61720 | 59927 | 58026 | 55956 | 53602 | 50862 | | |
| 12.92 | 20 | 715 | 61695 | 59895 | 58065 | 56171 | 54166 | 51976 | 49444 | 46431 | 43151 | | |
| 14.67 | | 750 | 64715 | 63000 | 61261 | 59476 | 57604 | 55601 | 53375 | 50777 | 47779 | | |
| 17.10 | | 797 | 68770 | 67157 | 65528 | 63860 | 62139 | 60323 | 58372 | 56210 | 53708 | | |
| 18.78 | | 826 | 71273 | 69716 | 68146 | 66547 | 64897 | 63180 | 61356 | 59372 | 57138 | | |
| 20.50 | | 853 | 73603 | 72096 | 70577 | 69034 | 67450 | 65806 | 64080 | 62233 | 60199 | | |

Performance shown is for Installation Type B: Free Inlet, Ducted Outlet. Power rating (BHP) does not include drive losses. Performance ratings do not include the effects of appurtenances in the airstream.

LORENIZED® fan finish

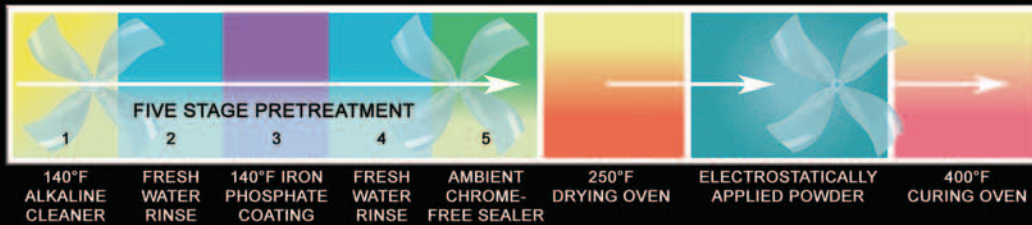
Durable protection, lasting beauty

All steel fan and blower components receive **COOK's LORENIZED®** coating as the factory standard. When this coating goes on, it stays on. It's the industry's most durable standard coating. It comes out sleek and smooth and it stays that way. **COOK's LORENIZED®** coating withstands the elements and provides durable protection and lasting beauty.

The COOK Powder Coating Process

Environmentally friendly

The entire procedure occurs within a self-contained, automated system. Water used in the pre-treatment recirculates and is neutralized before its release from the system. Excess powder is captured and recycled. No solvents are utilized so there are no polluting fumes or paint vapors to escape. There is virtually nothing in the entire process to adversely effect our environment.



Steel components go through a five stage pretreatment process before the powder is applied. They are washed and treated until all surfaces are perfectly clean, chemically prepared and electrostatically charged - ready to bond with the powder. This insures excellent coating adhesion, uniformity and consistent edge coverage.



An automated system of sprayers applies the powder that chemically bonds to the prepared surface. Components are then cured in a 400°F oven. This process creates adhesion, durability and a smoothness of coating not possible with conventional liquid paints.

Other Available Coatings...

Where particularly harsh environmental conditions require exceptional chemical resistance, these optional coatings may apply:

- **Cook Epoxy Powder**
- **Cook Phenolic Epoxy Powder**
- **Cook Easy Clean Powder**
- **Cook High Temp**
- **Air Dry Phenolic (Heresite® VR-504)**

Complimentary CD or DVD

COOK's Digital Media Center...

...your source for product selection information!

- **Compute-A-Fan** - for Windows is an easy to use fan selection program. Simply select a fan type, enter air flow and pressure in either metric or English units and all valid selections are displayed in a grid with budget pricing, estimated energy costs and payback.
- **FanDrafter** - is a collection of CAD drawing files (templates) of every Cook product drawn to scale in every size. Each drawing includes multiple views drawn full scale for a particular size.
- **Electronic Publications** - view product Catalogs, Installation, Operation & Maintenance manuals, Submittals and Typical Specifications.
- **ISO 9001 Certification Video** - learn more about Cook's ISO 9001 compliant quality system and quality certification.
- **Airflow & System Effect Video** - which illustrates important design issues regarding airflow and system effect.



Cook Express Catalog

A complete, up-to-date listing of all products available for custom assembly and next day shipping! Specified fan RPM's for belt driven units are factory set - and all fans are shipped in tough, Transit Tested Packaging.



All Products Catalog

A complete, handy reference guide briefly describing all Loren Cook Company products.





LOREN COOK COMPANY

2015 E. DALE STREET
SPRINGFIELD, MO 65803-4637

417.869.6474

FAX 417.862.3820

lorencook.com