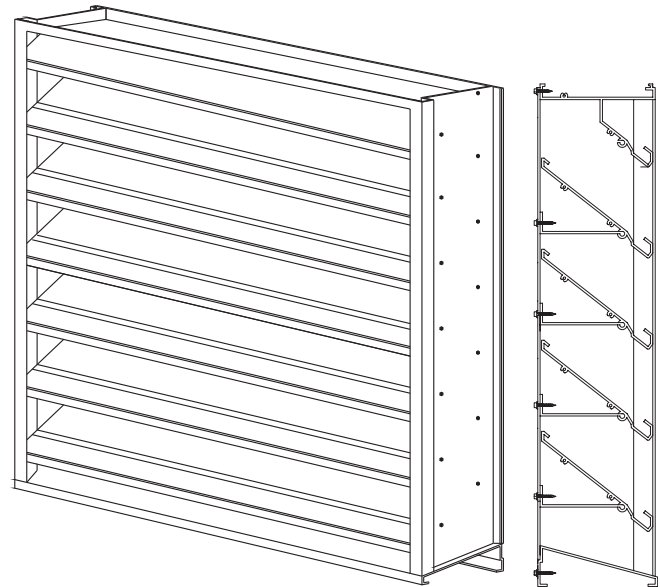




# Model DC-638

Extruded Aluminum Louver

Free Area: 57%



## Specifications

### Application:

Model DC-638 is a 6" stationary drainable louver designed, engineered, and tested to provide protection against large debris impact, cyclic loading fatigue, and severe pressure loads experienced in High Velocity Hurricane Zones. Model DC-638 has been certified by Miami-Dade County (#TBD) and AMCA (Standard 500-L), ensuring a high quality product that can be specified with confidence.

### Standard Construction:

Material: Mill finish 6063-T5 extruded aluminum  
 Frame: Heavy gauge 6" deep x .081" thick  
 Blade: 38° drainable .081" thick - spaced 4.75" apart mechanically fastened and welded to jamba on backside of blade  
 Bird Screen: Expanded metal  
 Anchor Clips: 2" x 2" x 3/16" x 2" long if not sleeved  
 2" x 2" x 3/16" continuous angle if sleeved

### Sizes:

Minimum: 12"W x 12"H  
 Single-Section Maximum: 84"W x 120"H  
 120"W x 84"H

### Frame Styles:

**Standard:** Flush Box - No Flange  
**Optional:** Bottom Flange Only  
 Full Perimeter Flange

### Options:

Insect Screen: Front or Back  
 Mounting Sleeves: 8", 10", 12", 14", or 16"

### Performance Features:

Free Area: 57%, 9.11 ft<sup>2</sup> (48"x48")  
 Published performance ratings based on testing in accordance with Miami-Dade County Large Missile Impact Test, Uniform Static Air Pressure Test, Cycle Wind Loading Test and AMCA Standard 500-L.  
 Beginning Point of Water Penetration:  
 Free Area Velocity: 845.4 fpm (4.29 m/s)  
 Air Volume Delivered: 7701.6 cfm (3.63 m<sup>3</sup>/s)

### Certified Ratings:

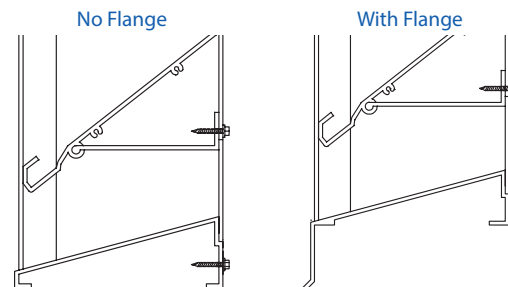


Aire Technologies certifies MODEL DC-638 shown here is licensed to bear the AMCA seal. The ratings shown are based on tests and procedures performed in accordance with AMCA Publication 511 and complies with the requirements of the AMCA Certified Ratings Program. The AMCA Certified Ratings Seal applies to air performance ratings and water penetration ratings only.

### Note:

All DC-638 Louvers are built 1/2" under size both directions unless ordered actual size.

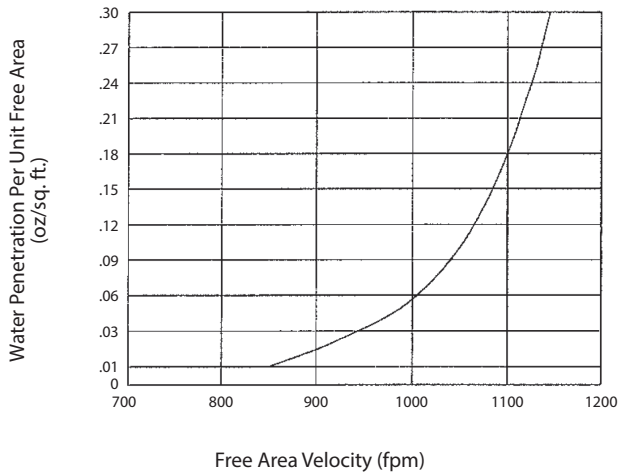
## Frame Styles



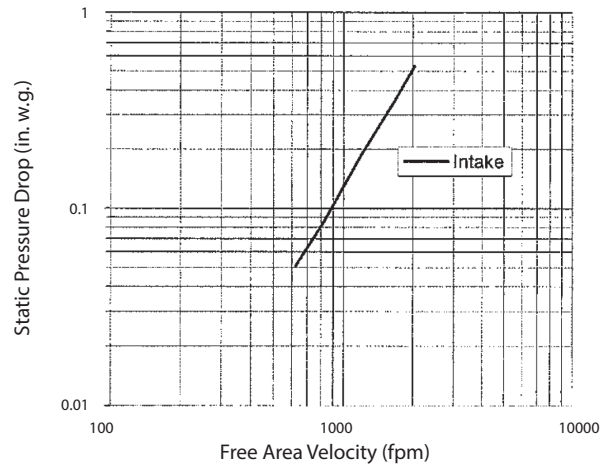
### Free Area Chart For DC-638 (Sq. Ft)

		Width in Inches												
		12.00	18.00	24.00	30.00	36.00	42.00	48.00	54.00	60.00	66.00	72.00	78.00	84.00
Height in Inches	12	0.36 306	0.59 502	0.82 697	1.05 893	1.28 1088	1.52 1292	1.75 1488	1.98 1683	2.21 1879	2.44 2074	2.67 2270	2.91 2474	3.14 2669
	18	0.64 544	1.06 901	1.48 1258	1.89 1607	2.31 1964	2.73 2321	3.14 2669	3.49 2967	3.98 3383	4.39 3732	4.81 4089	5.23 4446	5.64 4794
	24	0.84 714	1.38 1173	1.92 1632	2.46 2091	3.01 2559	3.55 3018	4.09 3477	4.63 3936	5.18 4403	5.72 4862	6.26 5321	6.80 5780	7.35 6248
	30	1.12 952	1.85 1573	2.58 2193	3.30 2805	4.03 3426	4.76 4046	5.48 4658	6.21 5279	6.94 5899	7.66 6511	8.39 7132	9.12 7752	9.85 8373
	36	1.41 1199	2.32 1972	3.23 2746	4.14 3519	5.05 4293	5.97 5075	6.88 5848	7.79 6622	8.70 7395	9.61 8169	10.53 8951	11.44 9724	12.35 10498
	42	1.69 1437	2.78 2363	3.88 3298	4.98 4233	6.07 5160	7.17 6095	8.26 7021	9.36 7956	10.45 8883	11.55 9818	12.64 10744	13.74 11679	14.83 12606
	48	1.86 1581	3.07 2610	4.28 3638	5.49 4667	6.70 5695	7.90 6715	9.11 7744	10.32 8772	11.53 9801	12.74 10829	13.95 11858	15.15 12887	16.36 13906
	54	2.17 1845	3.57 3035	4.98 4233	6.38 5423	7.79 6622	9.20 7820	10.60 9010	12.01 10209	13.41 11399	14.82 12597	16.23 13796	17.63 14986	19.04 16184
	60	2.45 2083	4.04 3434	5.63 4786	7.22 6137	8.81 7489	10.40 8840	11.99 10192	13.58 11543	15.17 12895	16.76 14246	18.35 15598	19.94 16949	21.53 18301
	66	2.74 2329	4.51 3834	6.28 5338	8.06 6851	9.83 8356	11.61 9869	13.38 11373	15.15 12878	16.93 14391	18.70 15895	20.48 17408	22.25 18913	24.03 20426
	72	2.93 2491	4.83 4106	6.74 5729	8.64 7334	10.54 8959	12.44 10574	14.34 12189	16.25 13813	18.15 15428	20.05 17043	21.95 18658	23.86 20281	25.76 21896
	78	3.21 2729	5.30 4505	7.38 6273	9.47 8050	11.55 9818	13.64 11594	15.72 13362	17.81 15139	19.89 16907	21.98 18683	24.06 20451	26.15 22228	28.23 23996
	84	3.50 2975	5.77 4905	8.04 6834	10.31 8764	12.57 10685	14.84 12614	17.11 14544	19.38 16473	21.65 18403	23.92 20332	26.19 22262	28.46 24191	30.73 26121
	90	3.78 3213	6.23 5296	8.69 7387	11.14 9469	13.59 11552	16.05 13643	18.50 15725	20.95 17808	23.40 19890	25.86 21981	28.31 24064	30.76 26146	33.22 28237
	96	3.98 3383	6.56 5576	9.14 7769	11.72 9962	14.30 12155	16.87 14340	19.45 16533	22.03 18726	24.61 20919	27.19 23112	29.77 25305	32.35 27498	34.93 29691
	102	4.26 3621	7.02 5967	9.79 8322	12.55 10668	15.32 13022	18.08 15368	20.84 17714	23.61 20069	26.37 22415	29.13 24761	31.90 27115	34.66 29461	37.43 31816
108	4.54 3859	7.49 6367	10.44 8874	13.39 11382	16.33 13881	19.28 16388	22.23 18896	25.18 21403	28.12 23902	31.07 26410	34.02 28917	36.97 31425	39.91 33924	
114	4.74 4029	7.82 6647	10.90 9265	13.97 11875	17.05 14493	20.12 17102	23.20 19720	26.28 22338	29.35 24948	32.43 27566	35.51 30184	38.58 32793	41.66 35411	
120	5.02 4267	8.28 7038	11.54 9809	14.80 12580	18.06 15351	21.31 18114	24.57 20885	27.83 23656	31.09 26427	34.35 29198	37.61 31969	40.86 34731	44.12 37502	

#### Water Penetration



#### Air Performance Chart



The AMCA certified rating Seal applies to air capacities in intake mode only. Ratings do not include the effects of birdscreen.



Aire Technologies certifies MODEL DC-638 shown here is licensed to bear the AMCA seal. The ratings shown are based on tests and procedures performed in accordance with AMCA Publication 511 and complies with the requirements of the AMCA certified Ratings Program. The AMCA Certified Ratings Seal applies to air performance ratings and water penetration ratings only.

