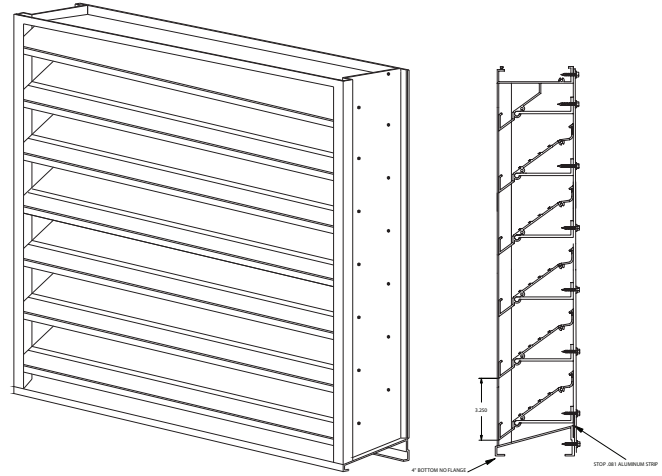




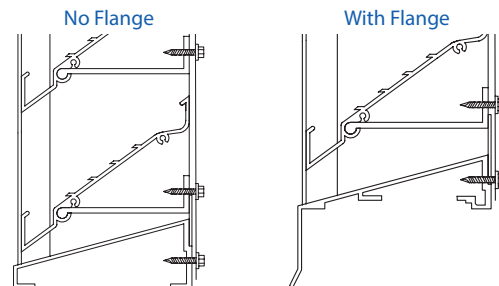
# Model DC-436

Extruded Aluminum Louver

Free Area: 58%



## Frame Styles



## Specifications

### Application:

Model DC-436 is a 4" stationary drainable louver designed, engineered, and tested to provide protection against large debris impact, cyclic loading fatigue, and severe pressure loads experienced in High Velocity Hurricane Zones. Model DC-436 has been certified by Miami-Dade County (NOA #19-0213.05) and AMCA (Standard 500-L), ensuring a high quality product that can be specified with confidence.

### Standard Construction:

Material: Mill finish 6063-T5 extruded aluminum  
 Frame: Heavy gauge 4" deep x .081" thick  
 Blade: 36° drainable .081" thick - spaced 3.25" apart mechanically fastened and welded to jamba on backside of blade  
 Bird Screen: Expanded metal  
 Anchor Clips: 2" x 2" x 3/16" x 2" long if not sleeved  
 2" x 2" x 3/16" continuous angle if sleeved

### Sizes:

Minimum: 12"W x 12"H  
 Single-Section Maximum: 84"W x 120"H  
 120"W x 84"H

### Frame Styles:

**Standard:** Flush Box - No Flange  
**Optional:** Bottom Flange Only  
 Full Perimeter Flange

### Options:

Insect Screen: Front or Back  
 Mounting Sleeves: 8", 10", 12", 14", or 16"

### Performance Features:

Free Area: 58%, 9.82 ft<sup>2</sup> (48"x48")  
 Published performance ratings based on testing in accordance with Miami-Dade County Large Missile Impact Test, Uniform Static Air Pressure Test, Cycle Wind Loading Test and AMCA Standard 500-L.  
 Beginning Point of Water Penetration:  
 Free Area Velocity: 868.8 fpm (4.41 m/s)  
 Air Volume Delivered: 8062.5 cfm (3.81 m<sup>3</sup>/s)

### Certified Ratings:



Aire Technologies certifies MODEL DC-436 shown here is licensed to bear the AMCA seal. The ratings shown are based on tests and procedures performed in accordance with AMCA Publication 511 and complies with the requirements of the AMCA Certified Ratings Program. The AMCA Certified Ratings Seal applies to air performance ratings and water penetration ratings only.

### Note:

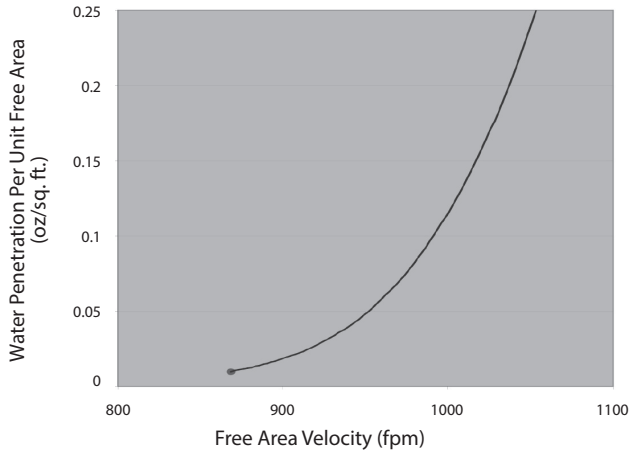
All DC-436 Louvers are built 1/2" under size both directions unless ordered actual size.



### Free Area Chart For DC-436 (Sq. Ft)

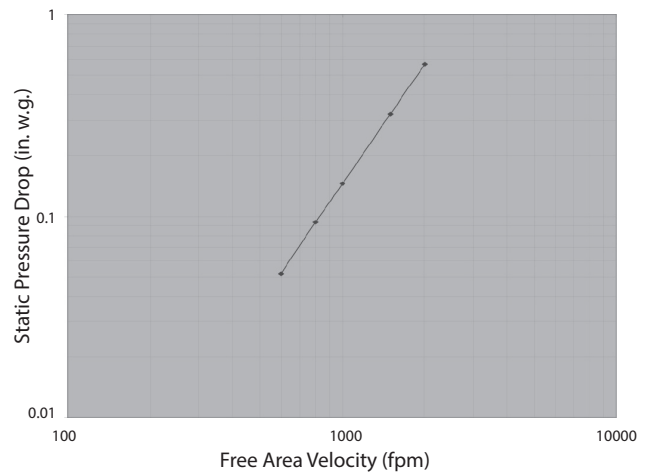
Height in Inches	Width in Inches												
	12.00	18.00	24.00	30.00	36.00	42.00	48.00	54.00	60.00	66.00	72.00	78.00	84.00
12	0.39	0.63	0.87	1.12	1.36	1.61	1.85	2.09	2.34	2.58	2.82	3.07	3.31
18	0.67	1.10	1.52	1.94	2.37	2.79	3.21	3.64	4.06	4.49	4.91	5.33	5.76
24	0.93	1.51	2.10	2.68	3.27	3.85	4.44	5.02	5.61	6.20	6.78	7.37	7.95
30	1.18	1.93	2.67	3.41	4.16	4.90	5.65	6.39	7.14	7.88	8.62	9.37	10.11
36	1.43	2.34	3.24	4.14	5.05	5.95	6.85	7.76	8.66	9.57	10.47	11.37	12.28
42	1.67	2.73	3.78	4.83	5.89	6.94	7.99	9.05	10.10	11.16	12.21	13.26	14.32
48	1.94	3.16	4.39	5.61	6.83	8.05	9.28	10.50	11.72	12.95	14.17	15.39	16.62
54	2.24	3.66	5.07	6.48	7.90	9.31	10.73	12.14	13.55	14.97	16.38	17.79	19.21
60	2.52	4.10	5.69	7.27	8.86	10.44	12.03	13.62	15.20	16.79	18.37	19.96	21.54
66	2.77	4.51	6.26	8.00	9.75	11.49	13.24	14.98	16.73	18.47	20.22	21.96	23.71
72	3.02	4.92	6.83	8.73	10.64	12.54	14.44	16.35	18.25	20.16	22.06	23.96	25.87
78	3.24	5.29	7.33	9.37	11.42	13.46	15.51	17.55	19.59	21.64	23.68	25.72	27.77
84	3.53	5.75	7.98	10.20	12.42	14.65	16.87	19.09	21.32	23.54	25.77	27.99	30.21
90	3.81	6.22	8.62	11.03	13.43	15.83	18.24	20.64	23.04	25.45	27.85	30.26	32.66
96	4.10	6.68	9.27	11.85	14.43	17.02	19.60	22.19	24.77	27.35	29.94	32.52	35.10
102	4.36	7.10	9.85	12.59	15.34	18.08	20.83	23.57	26.32	29.06	31.81	34.55	37.30
108	4.61	7.51	10.42	13.32	16.23	19.13	22.03	24.94	27.84	30.75	33.65	36.56	39.46
114	4.86	7.92	10.99	14.05	17.11	20.18	23.24	26.31	29.37	32.43	35.50	38.56	41.62
120	5.10	8.31	11.53	14.74	17.95	21.17	24.38	27.60	30.81	34.02	37.24	40.45	43.66

#### Water Penetration



Water Penetration Data applies to test unit size 48" x 48" only. Beginning of Water Penetration is 868.8 fpm Free Area Velocity.

#### Air Performance Chart



The performance shown is done at standard air density, 0.075lbs./ft. The pressure drop data applies to the intake side of the test unit that was 48" x 48" only.

The AMCA certified rating Seal applies to air capacities in intake mode only. Ratings do not include the effects of birdscreen.



Aire Technologies certifies MODEL DC-436 shown here is licensed to bear the AMCA seal. The ratings shown are based on tests and procedures performed in accordance with AMCA Publication 511 and complies with the requirements of the AMCA certified Ratings Program. The AMCA Certified Ratings Seal applies to air performance ratings and water penetration ratings only.

