

MODELO KL445D GALVANIZED STEEL DRAINABLE LOUVER

- Galvanized Steel
- Drainable type blades
- Fixed blades at 45°
- Free area 47%
- Intermediate angle each 60°
- Panels over 60" wide have a vertical interior angle at approximate center of panel
- Optional accessories: Electric actuator, Birds screen, Insects screen and Filter
- Test square louver 48" x 48"



47%
FREE AREA

CONSTRUCCION:

Aluminum frame and Galvanized steel blades (Galvanneal)

FINISH:

Electrostatic paint colors special order.

PERFORMANCE:

Recommended free area velocity: 902.1 ft / min.

Pressure drop of 0.15" Sch. water column.

Penetration rainwater is 0.01 ounces per square foot of area free in a test of 15 minutes

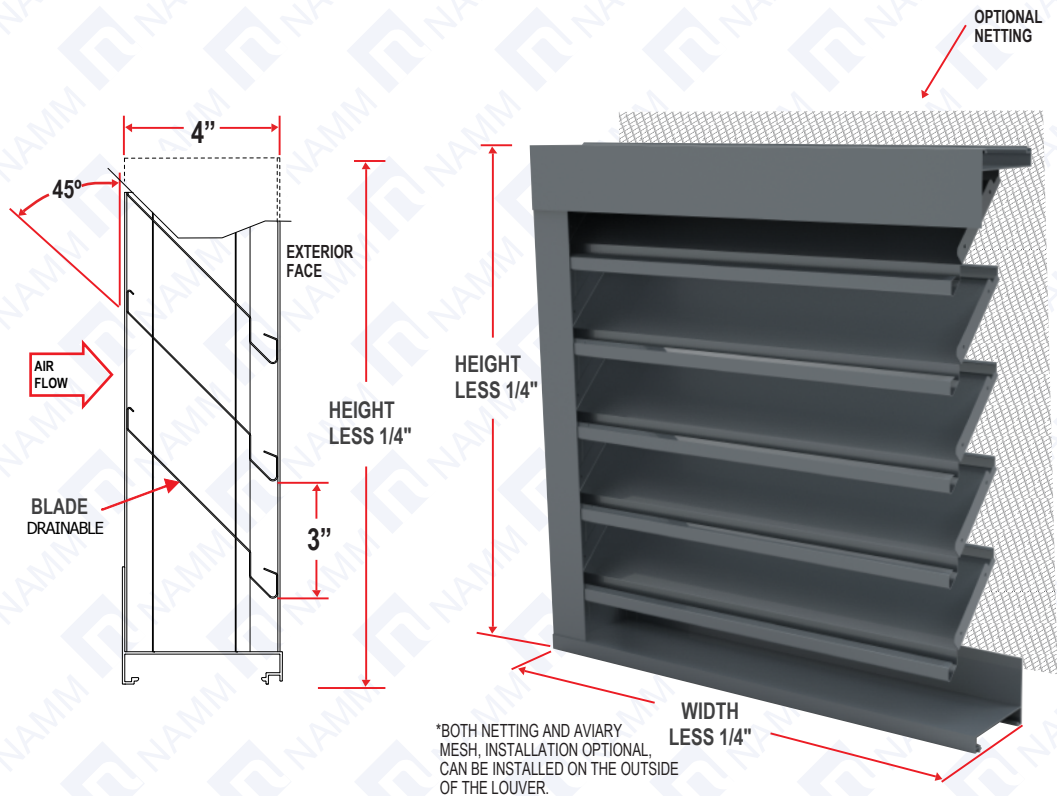
Dimensional Details



"Grupo Namm S.A. de C.V. certifies that the Model KL445D shown herein is licensed to bear the AMCA Seal

The ratings shown are based on tests and procedures performed in accordance with AMCA Publication 511 and comply with the requirements of the AMCA Certified Ratings Program.

The AMCA Certified Ratings Seal applies to water penetration and air performance ratings only."



*BOTH NETTING AND AVIARY MESH, INSTALLATION OPTIONAL, CAN BE INSTALLED ON THE OUTSIDE OF THE LOUVER.



NAMM

grupo namm, s.a. de c.v

mty,nl (81) 1292 4019

cdmx (55) 5264 2606

www.namm.com.mx



This catalog is protected by several patents and industrial designs.

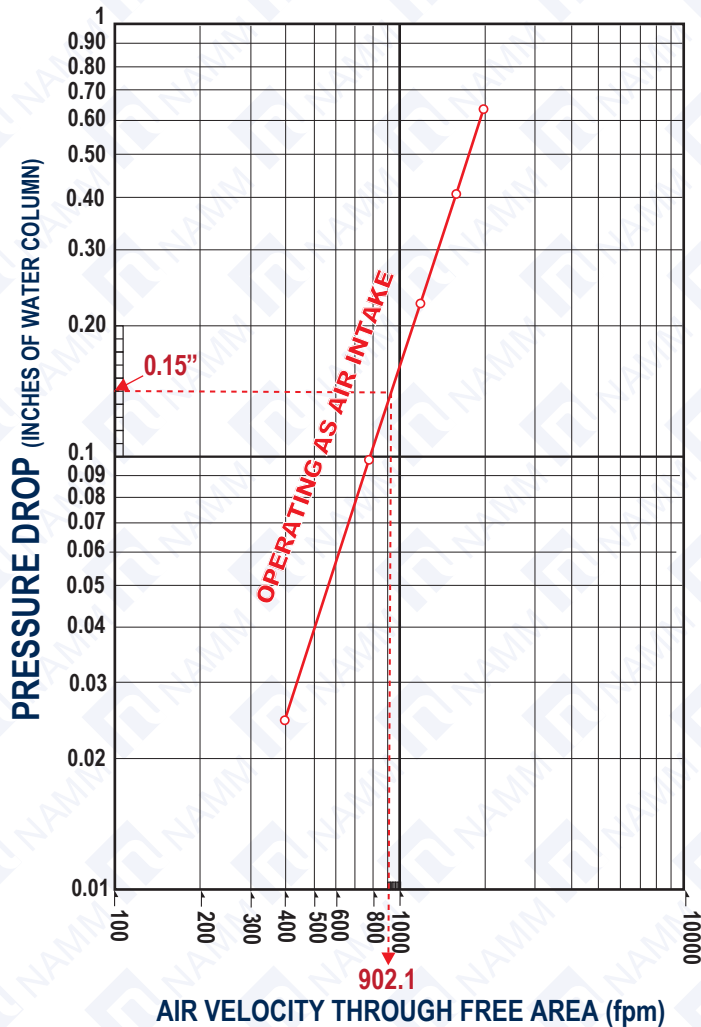


FREE AREA OF THE STEEL STATIONARY LOUVER WITH DRAINABLE FIXED BLADES MODEL KL445D (ft²)

		LOUVER WIDTH INCHES														
		12	18	24	30	36	42	48	54	60	66	72	78	84	90	96
LOUVER HEIGHT INCHES	12	0.225	0.404	0.584	0.764	0.943	1.123	1.303	1.482	1.662	1.842	2.021	2.201	2.381	2.561	2.740
	24	0.584	1.051	1.518	1.985	2.452	2.919	3.386	3.853	4.320	4.787	5.254	5.721	6.188	6.655	7.122
	36	0.943	1.697	2.452	3.206	3.960	4.715	5.469	6.223	6.978	7.732	8.486	9.241	9.995	10.749	11.504
	48	1.302	2.344	3.385	4.427	5.469	6.510	7.552	8.594	9.635	10.677	11.719	12.760	13.802	14.844	15.885
	60	1.661	2.990	4.319	5.648	6.977	8.306	9.635	10.964	12.293	13.622	14.951	16.280	17.609	18.938	20.267
	72	2.020	3.637	5.253	6.869	8.486	10.102	11.718	13.335	14.951	16.567	18.184	19.800	21.416	23.033	24.649
	84	2.380	4.283	6.187	8.090	9.994	11.898	13.801	15.705	17.609	19.512	21.416	23.320	25.223	27.127	29.031
	96	2.739	4.930	7.121	9.312	11.503	13.694	15.885	18.076	20.266	22.457	24.648	26.839	29.030	31.221	33.412
	108	3.098	5.576	8.054	10.533	13.011	15.489	17.968	20.446	22.924	25.403	27.881	30.359	32.837	35.316	37.794
	120	3.457	6.223	8.988	11.754	14.520	17.285	20.051	22.816	25.582	28.348	31.113	33.879	36.645	39.410	42.176
	132	3.816	6.869	9.922	12.975	16.028	19.081	22.134	25.187	28.240	31.293	34.346	37.399	40.452	43.505	46.557
144	4.175	7.516	10.856	14.196	17.536	20.877	24.217	27.557	30.898	34.238	37.578	40.918	44.259	47.599	50.939	

PERFORMANCE DATA LOUVER KL445D

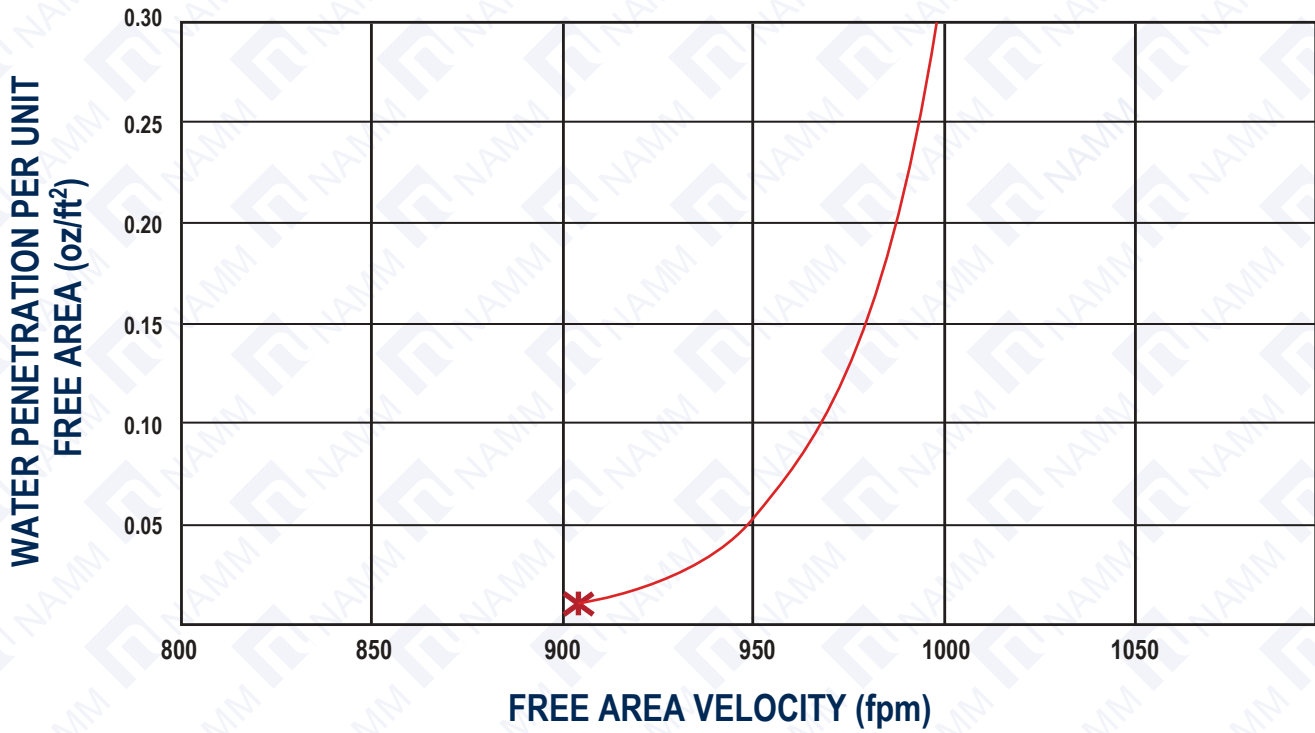
Test Size 48x48 Based on Standard Air Test Method per ANSI / AMCA Standard 500-L-12 (Pressure Drop), Figure No. 5.5.



“THE AMCA SEAL APPLIES TO WATER PENETRATION & AIR PERFORMANCE RATINGS ONLY.”



WATER PENETRATION OF KL445D



— WATER PENETRATION OF KL445D * BEGINNING OF WATER PENETRATION

BEGINNING OF WATER PENETRATION PER
AMCA PUBLICATION 511 SECTION 8.3.2
BASED ON AMCA MEASURED FREE AREA:
902.1 FPM

“THE AMCA SEAL APPLIES TO WATER PENETRATION & AIR PERFORMANCE RATINGS ONLY.”