

MODELO HL245D DRAINABLE LOUVER

- Fixed blades at 45°
- 2" Deepchannel .055 thick 6063T5 extruded aluminium alloy
- Free area 44%
- Intermediate angle each 60"
- Panels over 60" wide have a vertical interior angle at approximate center of panel
- Optional accesories: Electric actuator, Birds screen, Insects screen and Filter
- Test square louver 48" x 48"



44%
FREE AREA

CONSTRUCCION:

100% Extruded Aluminum, Alloy 6063-T5

FINISH:

Anodized or electrostatic paint colors special order.

PERFORMANCE:

Recommended free area velocity: 728.5 ft / min.

Pressure drop of 0.074" Sch. water column.

Penetration rainwater is 0.01 ounces per square foot of area free in a test of 15 minutes

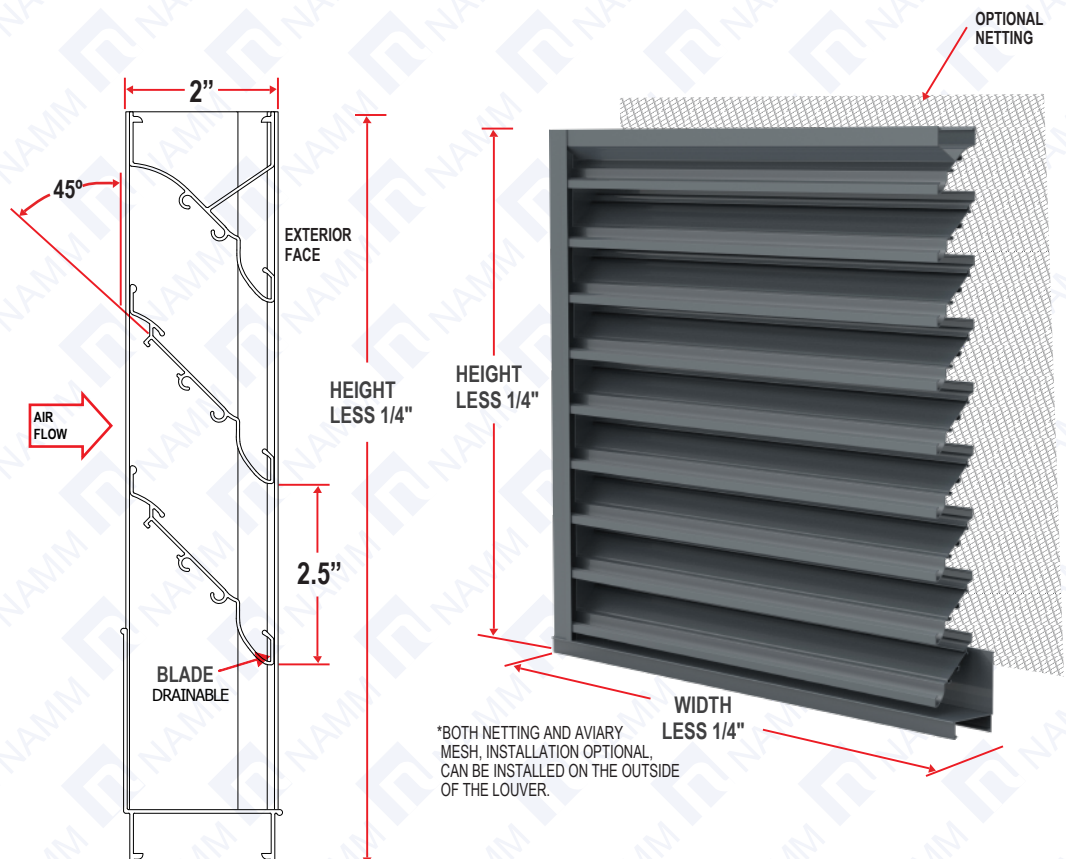
Dimensional Details



"Grupo Nammm S.A. de C.V. certifies that the Model HL245D shown herein is licensed to bear the AMCA Seal

The ratings shown are based on tests and procedures performed in accordance with AMCA Publication 511 and comply with the requirements of the AMCA Certified Ratings Program.

The AMCA Certified Ratings Seal applies to water penetration and air performance ratings only."



NAMM grupo nammm, s.a. de c.v.

mty,nl (81) 1292 4019

cdmx (55) 5264 2606

www.nammm.com.mx



This catalog is protected by several patents and industrial designs.

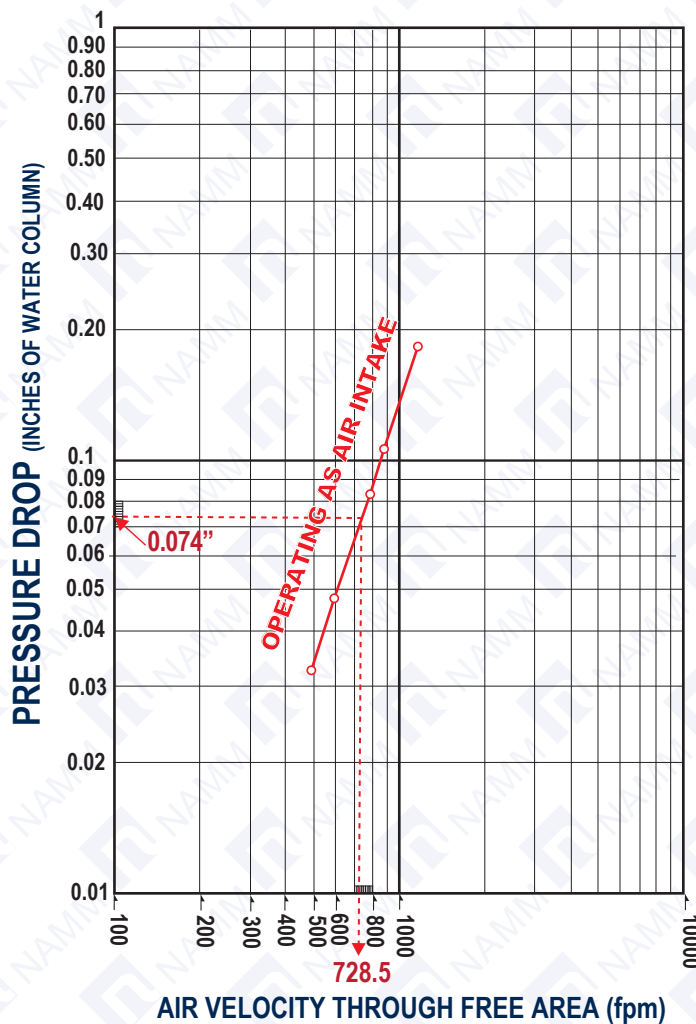


FREE AREA OF THE STATIONARY LOUVER WITH DRAINABLE FIXED BLADES MODEL HL245D (ft²)

		LOUVER WIDTH INCHES														
		12	18	24	30	36	42	48	54	60	66	72	78	84	90	96
LOUVER HEIGHT INCHES	12	0.316	0.522	0.727	0.932	1.137	1.343	1.548	1.753	1.958	2.164	2.369	2.574	2.779	2.985	3.190
	24	0.716	1.180	1.645	2.109	2.574	3.038	3.503	3.967	4.431	4.896	5.360	5.825	6.289	6.754	7.218
	36	1.116	1.839	2.563	3.286	4.010	4.734	5.457	6.181	6.905	7.628	8.352	9.076	9.799	10.523	11.246
	48	1.435	2.366	3.297	4.228	5.159	6.090	7.021	7.952	8.883	9.814	10.745	11.676	12.607	13.538	14.469
	60	1.835	3.025	4.215	5.405	6.596	7.786	8.976	10.166	11.356	12.547	13.737	14.927	16.117	17.307	18.497
	72	2.234	3.684	5.133	6.583	8.032	9.481	10.931	12.380	13.830	15.279	16.728	18.178	19.627	21.076	22.526
	84	2.634	4.343	6.051	7.760	9.468	11.177	12.886	14.594	16.303	18.011	19.720	21.428	23.137	24.846	26.554
	96	2.954	4.870	6.786	8.702	10.617	12.533	14.449	16.365	18.281	20.197	22.113	24.029	25.945	27.861	29.777
	108	3.353	5.528	7.704	9.879	12.054	14.229	16.404	18.579	20.754	22.929	25.105	27.280	29.455	31.630	33.805
	120	3.753	6.187	8.622	11.056	13.490	15.925	18.359	20.793	23.228	25.662	28.096	30.530	32.965	35.399	37.833
	132	4.153	6.846	9.540	12.233	14.927	17.620	20.314	23.007	25.701	28.394	31.088	33.781	36.475	39.168	41.862
144	4.552	7.505	10.458	13.410	16.363	19.316	22.268	25.221	28.174	31.127	34.079	37.032	39.985	42.937	45.890	

PERFORMANCE DATA LOUVER HL245D

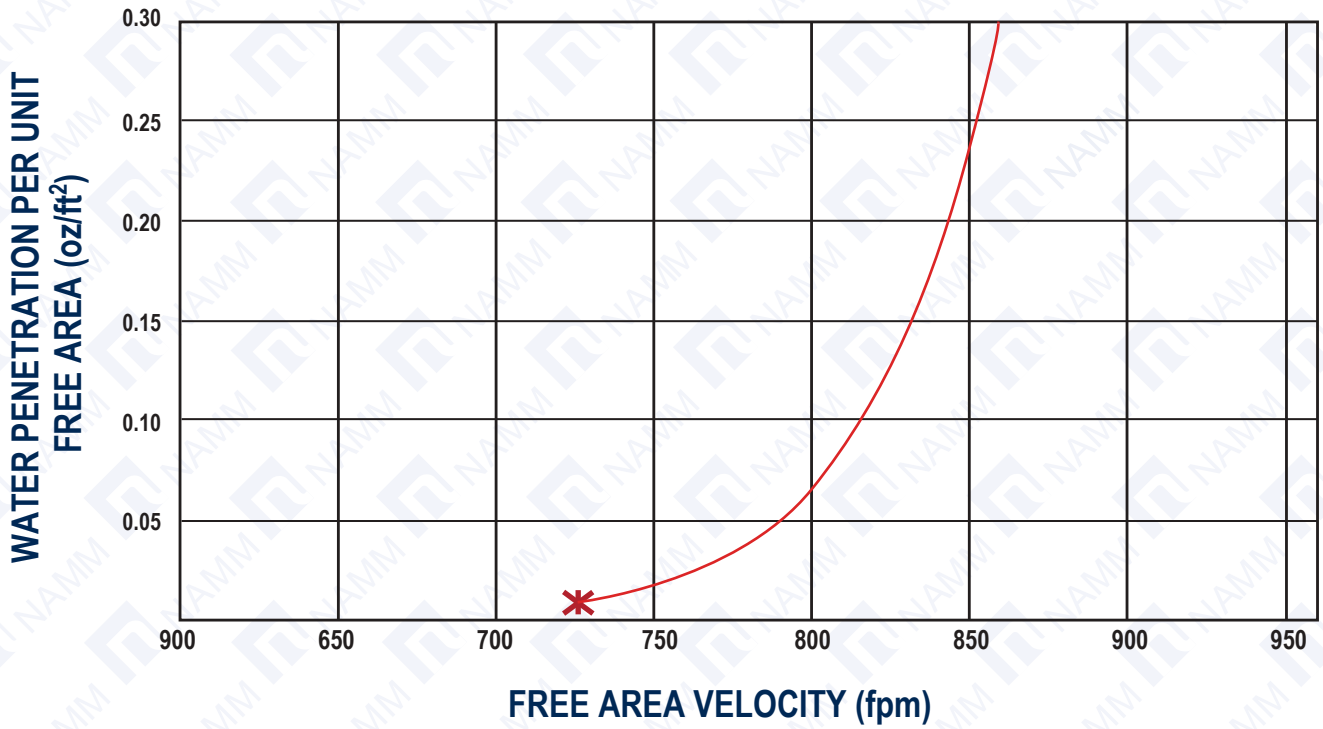
Test Size 48x48 Based on Standard Air Test Method per ANSI / AMCA Standard 500-L-12 (Pressure Drop), Figure No. 5.5.



“THE AMCA SEAL APPLIES TO WATER PENETRATION & AIR PERFORMANCE RATINGS ONLY.”



WATER PENETRATION OF HL245D



— WATER PENETRATION OF HL245D * BEGINNING OF WATER PENETRATION

BEGINNING OF WATER PENETRATION PER
AMCA PUBLICATION 511 SECTION 8.3.2
BASED ON AMCA MEASURED FREE AREA:
728.5 FPM

“THE AMCA SEAL APPLIES TO WATER PENETRATION & AIR PERFORMANCE RATINGS ONLY.”