

# WMH (Wind Stopping 16) Series

Unheated

Model Lengths: 48"–216"

Environmental Separation (up to 20')

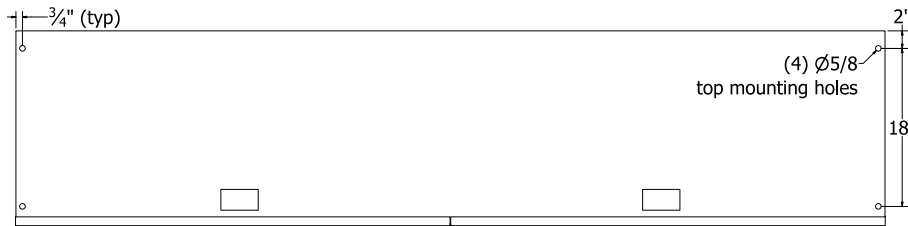
Insect Control (up to 18')



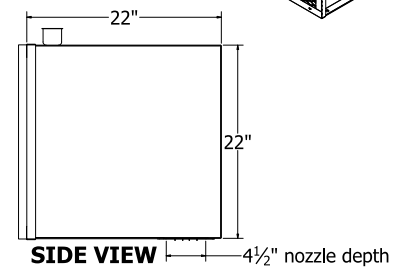
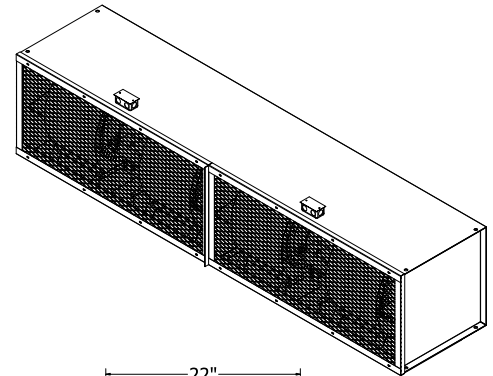
atmosphere is everything

14716 S. BROADWAY, GARDENA, CA 90248 • Ph: (310)532-1555 • Fax: (310)-532-3030 • [www.marsair.com](http://www.marsair.com)

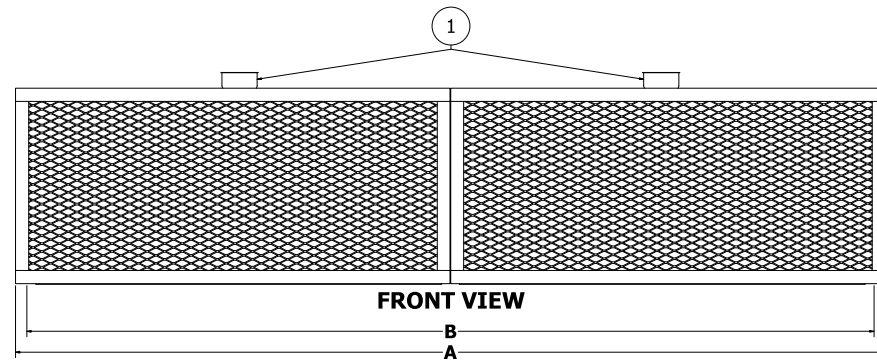
© Copyright Mars Air Systems, LLC 2014



TOP VIEW



SIDE VIEW



FRONT VIEW



**Notes:**

1. External 2"x4" junction boxes for electrical wiring provided on top of unit above each motor
2. Recommended service clearances are 6" to the left and right sides, 12" on top, and 24" in front of the unit.
3. Circuit protection (per NEC) to be installed by others.
4. To prevent accidental damage during operation, unit must be installed so that the bottom of the air curtain does not extend below the door header.
5. Unit can be suspended from overhead on both ends without intermediate support.

Model Number	Mechanical Data				Lab Data		AMCA Certified Lab Data			
	Overall Length A (in)	Nozzle Length B (in)	Motor (hp)	Weight (lb)	Max Velocity (fpm)	Max Volume (cfm)	Avg Velocity (fpm)	Volume (cfm)	Uniformity (%)	Power Rating (watt)
<input type="checkbox"/> WMH48-1U*-TS	51	48	5	320	7300	10950	3722	5412	91	4690
<input type="checkbox"/> WMH60-1U*-TS	63	60	5	365	7600	14250	4057	6172	87	6210
<input type="checkbox"/> WMH72-1U*-TS	75	72	7	445	7400	16650	3816	8511	82	6650
<input type="checkbox"/> WMH96-2U*-TS	99	96	(2) 5	635	7300	21900	3722	10824	91	9390
<input type="checkbox"/> WMH108-2U*-TS	111	108	(2) 5	695	6700	22613	3822	13230	90	11800
<input type="checkbox"/> WMH120-2U*-TS	123	120	(2) 5	735	7600	28500	4057	12344	87	12420
<input type="checkbox"/> WMH144-2U*-TS	147	144	(2) 7	890	7400	33300	3816	17022	82	13300
<input type="checkbox"/> WMH168-3U*-TS	171	120	(3) 5	1060	6700	35175	3822	19845	90	17700
<input type="checkbox"/> WMH192-4U*-TS	195	192	(4) 5	1275	7300	43800	3722	21648	91	18760
<i>The following model is not licensed to bear the AMCA seal</i>										
<input type="checkbox"/> WMH216-3U*-TS	219	216	(3) 7	1370	7400	49950	3816	25533	82	19950

\* – Use corresponding letters in "Electrical Data" column headers (see page 2) to complete the model numbers. Note: above data is for 60 Hz at 1160 RPM. For 50 Hz, RPM is 1000 with a 17% reduction in performance.

- The AMCA Certified Ratings Seal applies to airflow rate, average outlet velocity, outlet velocity uniformity, velocity project, and power rating at free delivery only.

NOTE: Mars Air Systems, LLC reserves the right to change specifications and product design without notice. Such revisions do not entitle the buyer to corresponding changes, improvements, additions, or replacements for previously purchased equipment.

# WMH (Wind Stopping 16) Series

Unheated

Model Lengths: 48"–216"

Environmental Separation (up to 20')

Insect Control (up to 18')



atmosphere is everything

14716 S. BROADWAY, GARDENA, CA 90248 • Ph: (310)532-1555 • Fax: (310)-532-3030 • [www.marsair.com](http://www.marsair.com)

© Copyright Mars Air Systems, LLC 2014

## Standard Features:

- ❖ Designed for indoor/outdoor use
- ❖ AMCA-certified to AMCA 211
- ❖ Self-contained one-piece heavy-gauge corrosion-proof paint lock metal design
- ❖ Fire retardant and rust preventative electrostatic polyurethane powder coating
  - Standard color is Titanium Silver (TS)
- ❖ 5 to 7 HP continuous duty Totally Enclosed Air Over (TEAO) motors (NEMA 1)
  - Direct drive system
- ❖ Adjustable air directional vanes with 40° sweep front to back
- ❖ Adjustable perforated volume dampers capable of reducing air velocity up to 50%
- ❖ 12-months parts warranty
- ❖ Freight not included
- ❖ Proudly made in the USA

## Mars Recommended Accessories (see [catalog](#) for complete listing):

- ❖ [Door Limit Switches](#) (§)
  - 99-125, Industrial surface mounted magnetic switch (controller required)
- ❖ Controllers
  - MCP‡-†U\*, [Motor Control Panel](#), 120V control voltage (‡ = HP Code, † = # of Motors, \* = Voltage Code) (§)
    - Note:** possible HP codes = E (5 HP) or F (7 HP)
    - MCP-TD, Adjustable time delay, 1sec-100hr (panel required)
    - MCP-24V, Low voltage control option (panel required)
    - BMS-303, BMS for monitor and control (panel with MCP-24V required)

**Note:** Dry contact provided in panel for monitoring motor. 24Vac signal provided from panel for controlling motor.

(§) = Shipped loose

## Sound Levels (measured at 10' in a free field):

2 Motor Unit = 69 dBA, 3 Motor Unit = 70 dBA, 4 Motor Unit = 72 dBA

Electrical Data Full Load Amp (FLA)	Unit Amperage (Voltage Code)		
	208-230V/3Ø <input type="checkbox"/> (E/F)	460V/3Ø <input type="checkbox"/> (H)	575V/3Ø <input type="checkbox"/> (I)
<input type="checkbox"/> WMH48-1U*-TS	19/15.8	7.9	6.3
<input type="checkbox"/> WMH60-1U*-TS	19/15.8	7.9	6.3
<input type="checkbox"/> WMH72-1U*-TS	--/21	10.5	8.4
<input type="checkbox"/> WMH96-2U*-TS	38/31.6	15.8	12.6
<input type="checkbox"/> WMH108-2U*-TS	38/31.6	15.8	12.6
<input type="checkbox"/> WMH120-2U*-TS	38/31.6	15.8	12.6
<input type="checkbox"/> WMH144-2U*-TS	--/42	21.0	16.8
<input type="checkbox"/> WMH168-3U*-TS	57/47.4	23.7	18.9
<input type="checkbox"/> WMH192-4U*-TS	76/63.2	31.6	25.2
<input type="checkbox"/> WMH216-3U*-TS	--/63	31.5	25.2

\* – Use corresponding letters in “Voltage Code” column headers to complete the model numbers.

Ampacity (MCA) = total FLA x 1.25

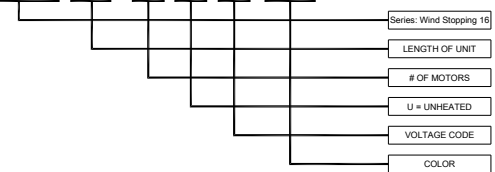
**Alternate voltage codes with FLA data:**

380-415V/3Ø/50Hz (W) – 8.9A

AMCA Certified Projection Velocity		
Model	Distance from Nozzle (in)	Average Core Velocity (fpm)
WMH60-1U*	40	2233
	80	1427
	120	1227
	160	993
	200	867

EXAMPLE

**WMH144-2 U H - TS**



MARS Air Systems, LLC certifies that the Air Curtains shown on this data sheet are licensed to bear the AMCA seal. The ratings shown are based on tests and procedures performed in accordance with AMCA Publication 211 and comply with the requirements of the AMCA Certified Ratings Program.

The AMCA Certified Ratings Seal applies to airflow rate, average outlet velocity, outlet velocity uniformity, velocity projection and power rating at free delivery only.

NOTE: Mars Air Systems, LLC reserves the right to change specifications and product design without notice. Such revisions do not entitle the buyer to corresponding changes, improvements, additions, or replacements for previously purchased equipment.