

EOJ-690

(standard)

*Louver dimensions furnished approximately 1/2" (13) undersize.

Ratings

90 Degrees Open:

Free Area: [48" × 48" (1219 × 1219) unit]: 10.96 ft² (1.02 m²)
68.5%

Performance @ Beginning Point of Water Penetration

Free Area Velocity: 652 fpm (3.31 m/s)

Air Volume Delivered: 7,151 cfm (3.37 m³/s)

Pressure Loss: 0.05 in.wg. (12 Pa)

Velocity @ 0.15 in.wg. Pressure Loss: 1,128 fpm (5.73 m/s)

45 Degrees Open:

Free Area: [48" × 48" (1219 × 1219) unit]: 7.36 ft² (.68 m²)
46.0%

Performance @ Beginning Point of Water Penetration

Free Area Velocity: 936 fpm (4.75 m/s)

Air Volume Delivered: 6,887 cfm (3.25 m³/s)

Pressure Loss: 0.14 in.wg. (34 Pa)

Velocity @ 0.15 in.wg. Pressure Loss: 977 fpm (4.96 m/s)



Certified Ratings:

Pottorff certifies that the model EOJ-690 shown herein is licensed to bear the AMCA seal. The ratings shown are based on test and procedures performed in accordance with AMCA Publication 511 and comply with the requirements of the AMCA Certified Ratings Program. The AMCA Certified Ratings seal applies to air performance ratings.

NOTE: Dimensions in parentheses () are millimeters.
Information is subject to change without notice or obligation.

The EOJ-690 louver features operable J-blades that rotate a full 90 degrees from fully closed to fully open. Because the blades open further than on most other operable louvers, this configuration maximizes free area and minimizes pressure loss. The EOJ-690 also utilizes a drainable frame with built-in gutter and downspouts to help protect against water penetration. The EOJ-690 is ideally suited for warehouses or distribution centers where maximum airflow is required.

Standard Construction

Material: Mill finish 6063-T5 extruded aluminum

Frame: 6" deep × 0.081" thick (152 × 2) channel

Blades: 90° × 0.081" (2) thick operable J-style

Screen: 1/2" × 0.063" (12.7 × 1.6) expanded and flattened aluminum

Axles: 1/2" (13) diameter plated steel hex

Linkage: Concealed in frame

Low Leakage Seals: TPV blade edge and flexible metal jamb

Bearings: Synthetic

Minimum Size: 12" × 12" (305 × 305)

Maximum Size: Single section:
48" × 96" (1219 × 2436) with low leakage seals
60" × 96" (1524 × 2436) without low leakage seals
Multiple section: Unlimited

Options

■ Factory finish:

- High Performance Fluoropolymer
- Prime Coat
- Baked Enamel
- Clear Anodize
- Integral Color Anodize

■ Frame Options:

- 1-1/2" (38) flange frame
- Custom-sized flange
- Stucco flange
- Glazing frame

■ Installation Hardware

- Clip angles
- Continuous angles

■ Welded construction

■ Alternate bird or insect screens

■ Insulated or non-insulated blank-off panels

■ Filter racks

■ Hinged frame

■ Head and/or sill flashing

■ Burglar bars

■ Factory mounted electric or pneumatic actuator

■ Sleeve (galvanized steel)

- 20-GA
- 16-GA

5 year
warranty

PERFORMANCE

EOJ-690

Extruded Aluminum Louver
6" deep • 90° Operable J-Blade

Free Area (ft²)

90 Degrees Open

Width (Inches)

Height (Inches)	Width (Inches)								
	12	18	24	30	36	42	48	54	60
12	0.22	0.39	0.56	0.73	0.90	1.07	1.24	1.41	1.58
18	0.51	0.90	1.29	1.69	2.08	2.47	2.86	3.25	3.64
24	0.80	1.42	2.03	2.64	3.25	3.87	4.48	5.09	5.70
30	1.09	1.93	2.76	3.60	4.43	5.26	6.10	6.93	7.77
36	1.39	2.44	3.50	4.55	5.61	6.66	7.72	8.77	9.83
42	1.68	2.95	4.23	5.51	6.79	8.06	9.34	10.62	11.89
48	1.97	3.47	4.96	6.46	7.96	9.46	10.96	12.46	13.96
54	2.26	3.98	5.70	7.42	9.14	10.86	12.58	14.30	16.02
60	2.55	4.49	6.43	8.37	10.32	12.26	14.20	16.14	18.08
66	2.84	5.00	7.17	9.33	11.49	13.66	15.82	17.98	20.15
72	3.13	5.52	7.90	10.29	12.67	15.06	17.44	19.83	22.21
78	3.42	6.03	8.63	11.24	13.85	16.46	19.06	21.67	24.28
84	3.71	6.54	9.37	12.20	15.03	17.85	20.68	23.51	26.34
90	4.00	7.05	10.10	13.15	16.20	19.25	22.30	25.35	28.40
96	4.29	7.57	10.84	14.11	17.38	20.65	23.92	27.19	30.47

45 Degrees Open

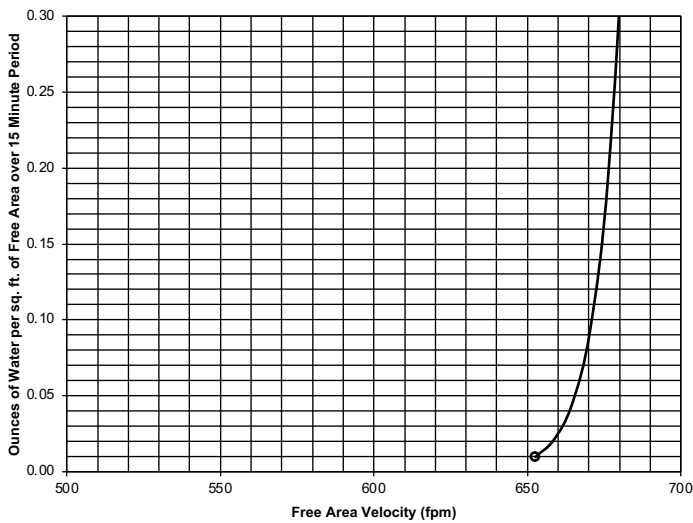
Width (Inches)

Height (Inches)	Width (Inches)								
	12	18	24	30	36	42	48	54	60
12	0.20	0.35	0.51	0.66	0.81	0.97	1.12	1.27	1.43
18	0.39	0.68	0.98	1.27	1.57	1.86	2.16	2.45	2.75
24	0.57	1.01	1.45	1.89	2.32	2.76	3.20	3.64	4.07
30	0.76	1.34	1.92	2.50	3.08	3.66	4.24	4.82	5.40
36	0.95	1.67	2.39	3.11	3.84	4.56	5.28	6.00	6.72
42	1.13	2.00	2.86	3.73	4.59	5.46	6.32	7.18	8.05
48	1.32	2.33	3.33	4.34	5.35	6.35	7.36	8.37	9.37
54	1.51	2.66	3.81	4.95	6.10	7.25	8.40	9.55	10.70
60	1.69	2.99	4.28	5.57	6.86	8.15	9.44	10.73	12.02
66	1.88	3.31	4.75	6.18	7.61	9.05	10.48	11.91	13.35
72	2.07	3.64	5.22	6.79	8.37	9.95	11.52	13.10	14.67
78	2.25	3.97	5.69	7.41	9.13	10.84	12.56	14.28	16.00
84	2.44	4.30	6.16	8.02	9.88	11.74	13.60	15.46	17.32
90	2.63	4.63	6.63	8.63	10.64	12.64	14.64	16.64	18.65
96	2.81	4.96	7.10	9.25	11.39	13.54	15.68	17.83	19.97

Water Penetration

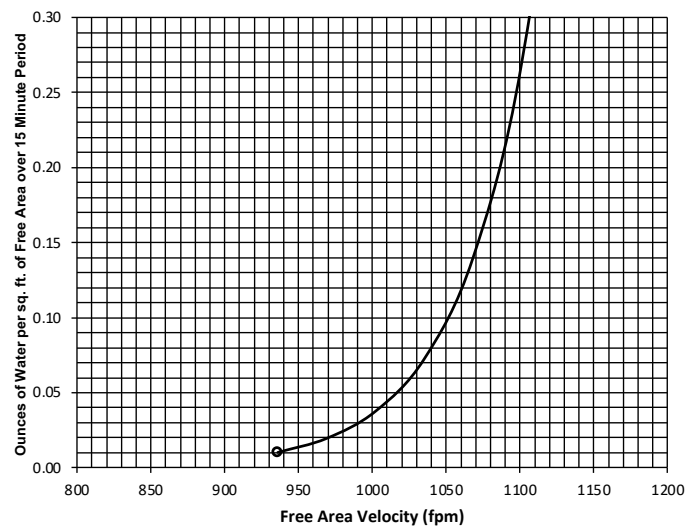
90 Degrees Open

Beginning Point of Water Penetration = 652 fpm



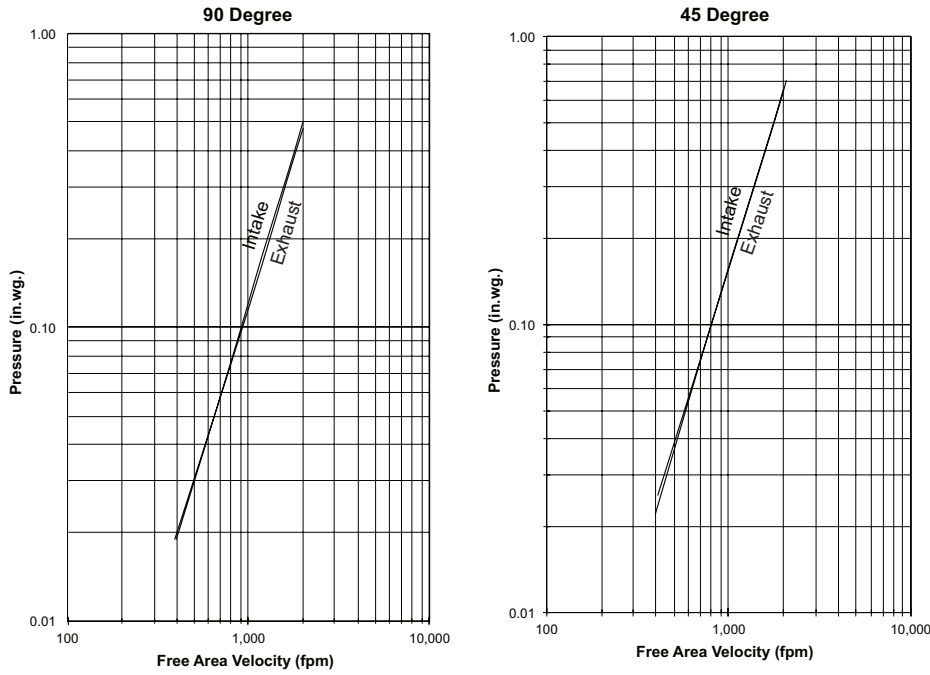
45 Degrees Open

Beginning Point of Water Penetration = 936 fpm



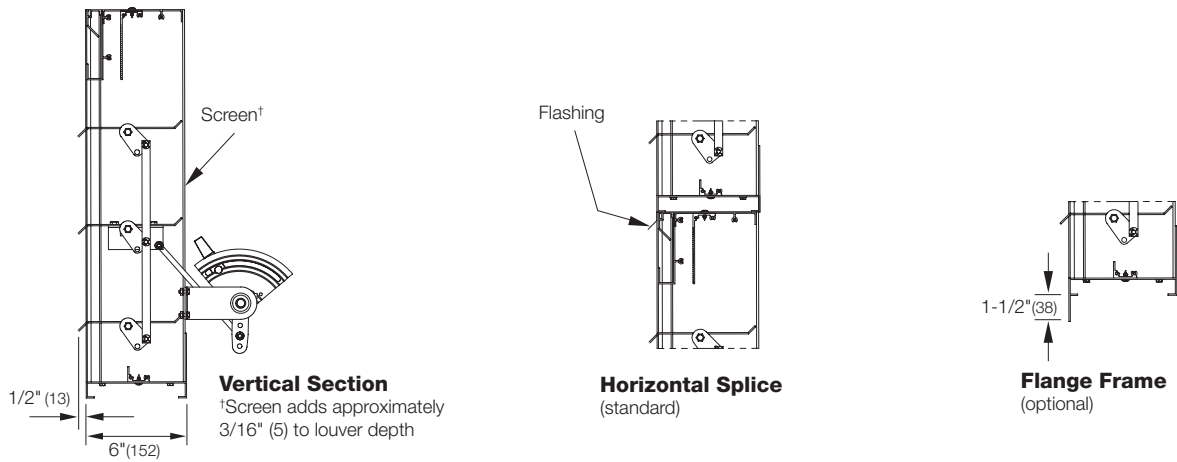
AMCA defines the beginning point of water penetration as the free area velocity at the intersection of a simple linear regression of test data and the line of 0.01 ounces of water per square foot of free area measured through a 48" x 48" louver during a 15 minute period. The AMCA water penetration test provides a method for comparing louver models and designs as to their efficiency in resisting the penetration of rainfall under specific lab conditions. We recommend that intake louvers are selected with a reasonable margin of safety below the beginning point of water penetration in order to avoid unwanted penetration during severe storm conditions.

Pressure Loss



Louver Test Size = 48" x 48" (1219 x 1219)
Pressure loss tested in accordance with Figure 5.5 of AMCA
Standard 500-L. Data corrected to standard air density.

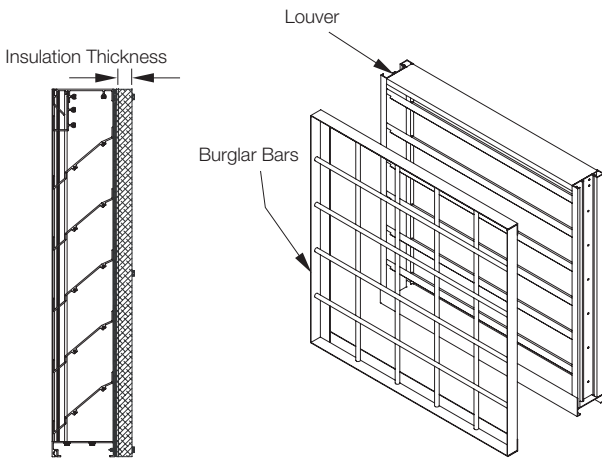
Attributes



Supplemental Options

EOJ-690

Extruded Aluminum Louver
6" deep • 90° Operable J-Blade

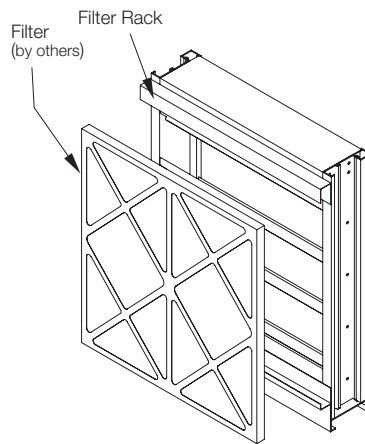


Blank-Off Options

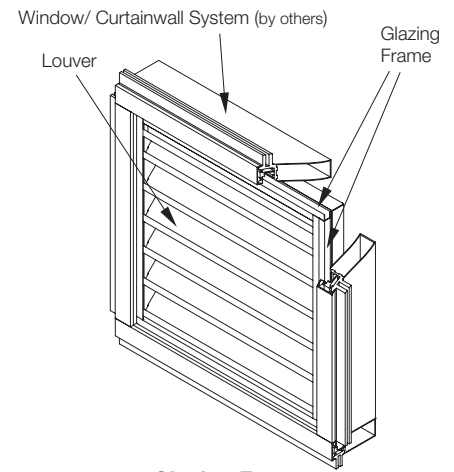
Non-Insulated and Gasketed
1" Insulated (4.25 R-value)
2" Insulated (8.75 R-value)

Burglar Bars

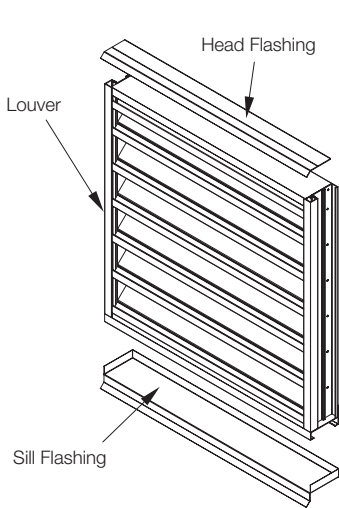
Shipped Loose or Mounted



Filter Rack

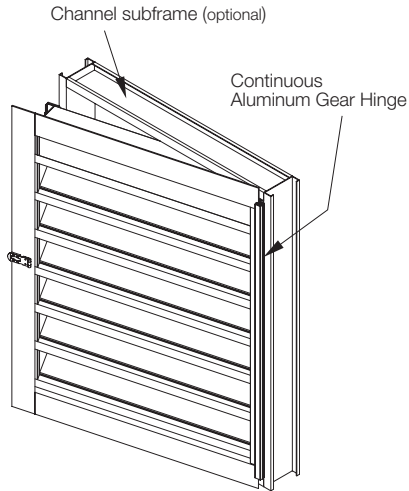


Glazing Frame



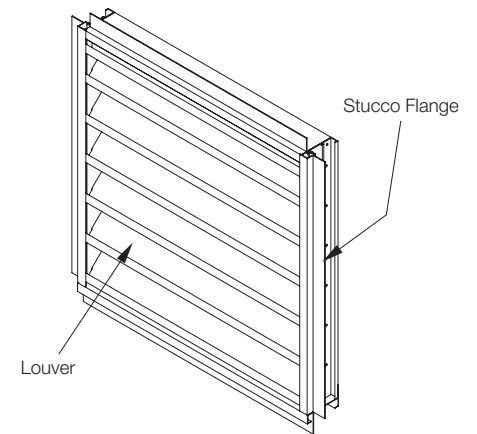
Flashing Options

Head and Sill Available



Hinge and Subframe

Right or Left Side Option Available



Stucco Flange