

# AXIAL FLOW FAN DIRECT DRIVEN

## Series TDA



### Construction

Double flanged casing is produced in mild steel or galvanised steel, available in short and long cased. The impeller having manually adjustable pitch blades is made of PPG, PAG or pressure-casted Aluminium.

### Finish

Painting or galvanised after manufacture are normal finishes on all parts.

### Operating Temperature

-20°C to +55°C

### Motors

Totally enclosed Class 'F' motor, to a min. IP54 protection are fitted as standard. Standard motor up to 2.2kW are usually supplied on DOL starting, motor 3.0kW and above are star/ delta starting.

### Airflow Direction

Air flowing from impeller to motor (B) are fitted as standard. Air flowing from motor to impeller (A) can be supplied on request.



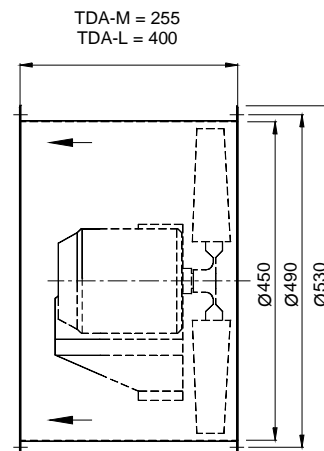
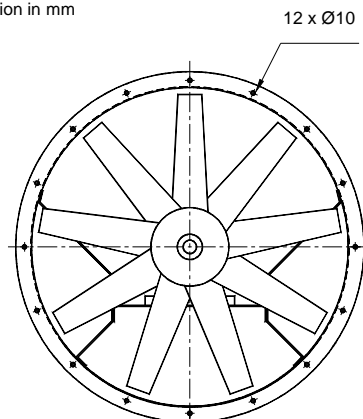
Kruger \* certifies that the TDA 450 shown herein is licensed to bear the AMCA Seal. The ratings shown are based on tests and procedures performed in accordance with AMCA Publication 211 and AMCA Publication 311 and comply with the requirements of the AMCA Certified Ratings Program.

- \*Kruger Ventilation Industries Asia Co., Ltd.
- \*Guangzhou Kruger Ventilation Co., LTD.
- \*Kruger M&E Industries Corporation
- \*Kruger Ventilation (Taiwan) Co., Ltd.
- \*Kruger Ventilation Industries (India) Pvt. Ltd.
- \*Kruger Ventilation Industries (North India) Pvt. Ltd.
- \*Kruger Ventilation Industries (Thailand) Co., Ltd.
- \*Kruger Ventilation Industries (Vietnam) Co., Ltd.
- \*Kruvent Industries (M) Sdn. Bhd.
- \*P.T. Kruger Ventilation Indonesia
- \*Shanghai Kruger Ventilation Co., Ltd.
- \*Tianjin Kruger Ventilation Co., Ltd.
- \*Wuhan Kruger Ventilation Co., Ltd.

**MODEL: TDA- 450/9AA/8-8/ / - / /**

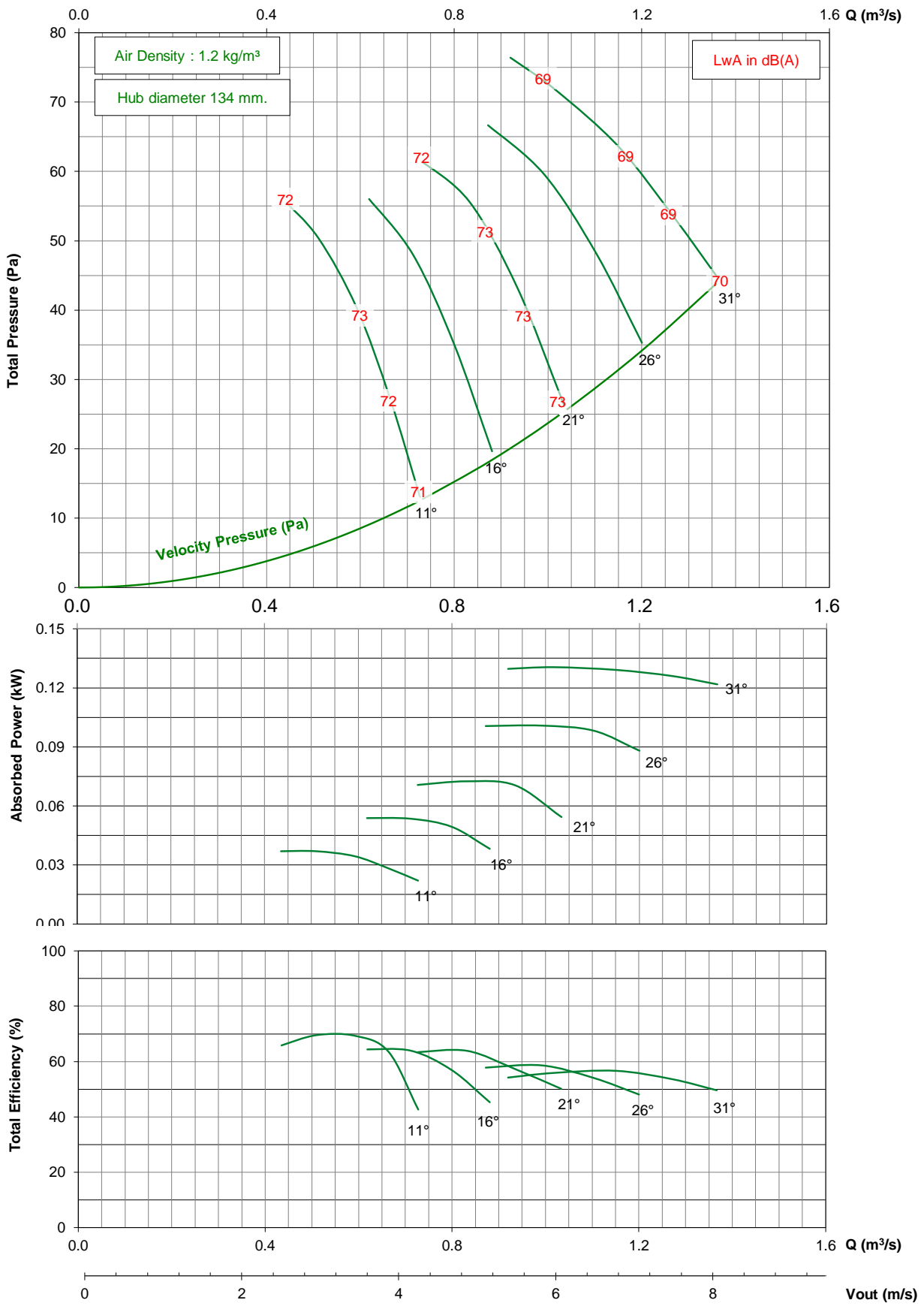
- Motor no. of pole – 4 or 6
- Motor Power kW
- Airflow direction – A or B
- Blade angle - 11°, 16°, 21°, 26°, 31°
- Type of casing construction – L or M

\* All Dimension in mm



# TDA 450/ 9AA/ 8-8/ \_ \_/ \_

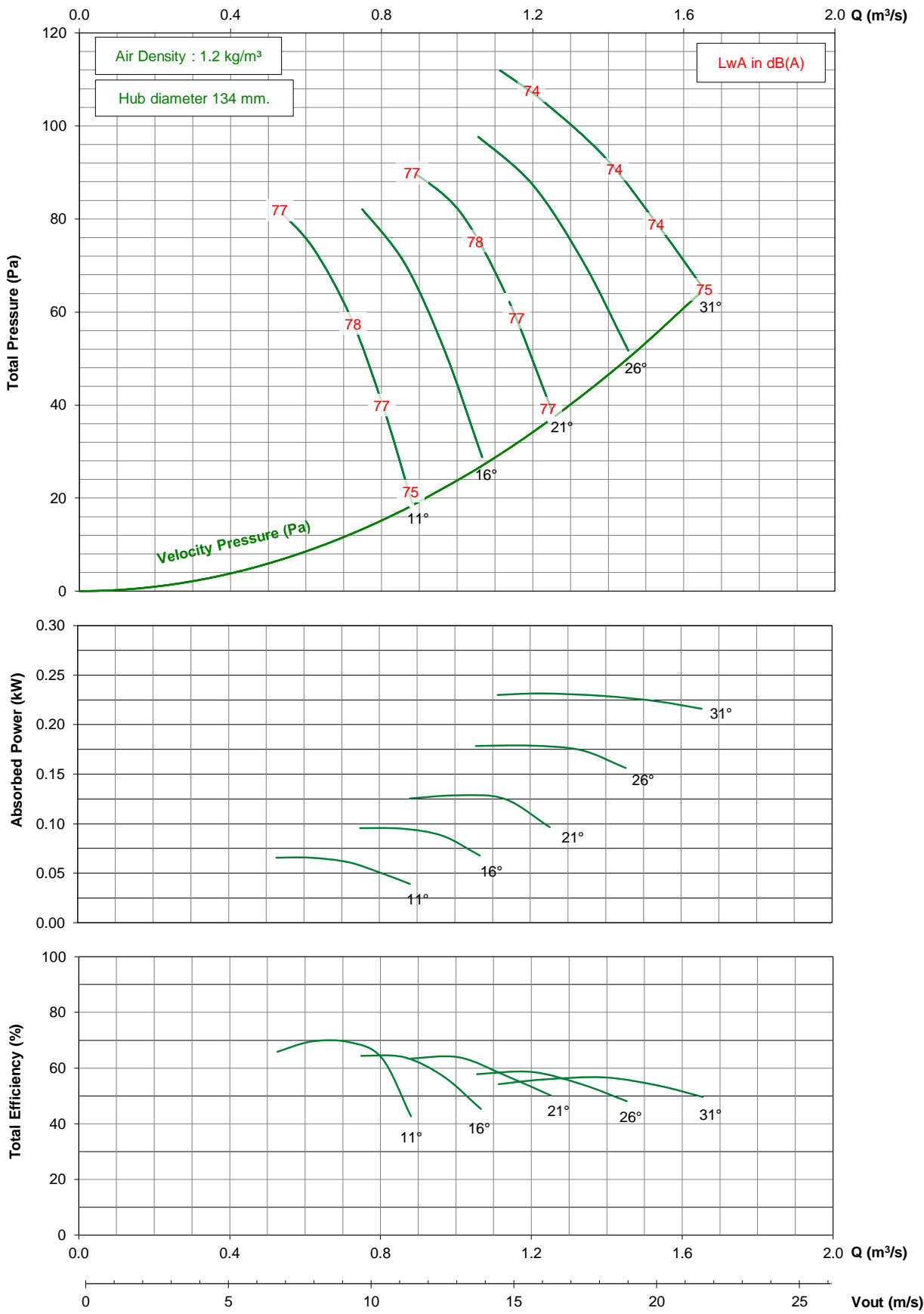
## 950 rpm - 50 Hz



- Performance certified is for installation type D - ducted inlet, ducted outlet. Performance ratings do not include the effects of appurtenances (accessories).  
 - The A-weighted sound ratings shown have been calculated per AMCA International Standard 301. Values shown are for inlet Lwi(A) sound power levels for installation type D - ducted inlet, ducted outlet. Ratings include the effects of duct end correction.

# TDA 450/ 9AA/ 8-8/ \_ \_/ \_

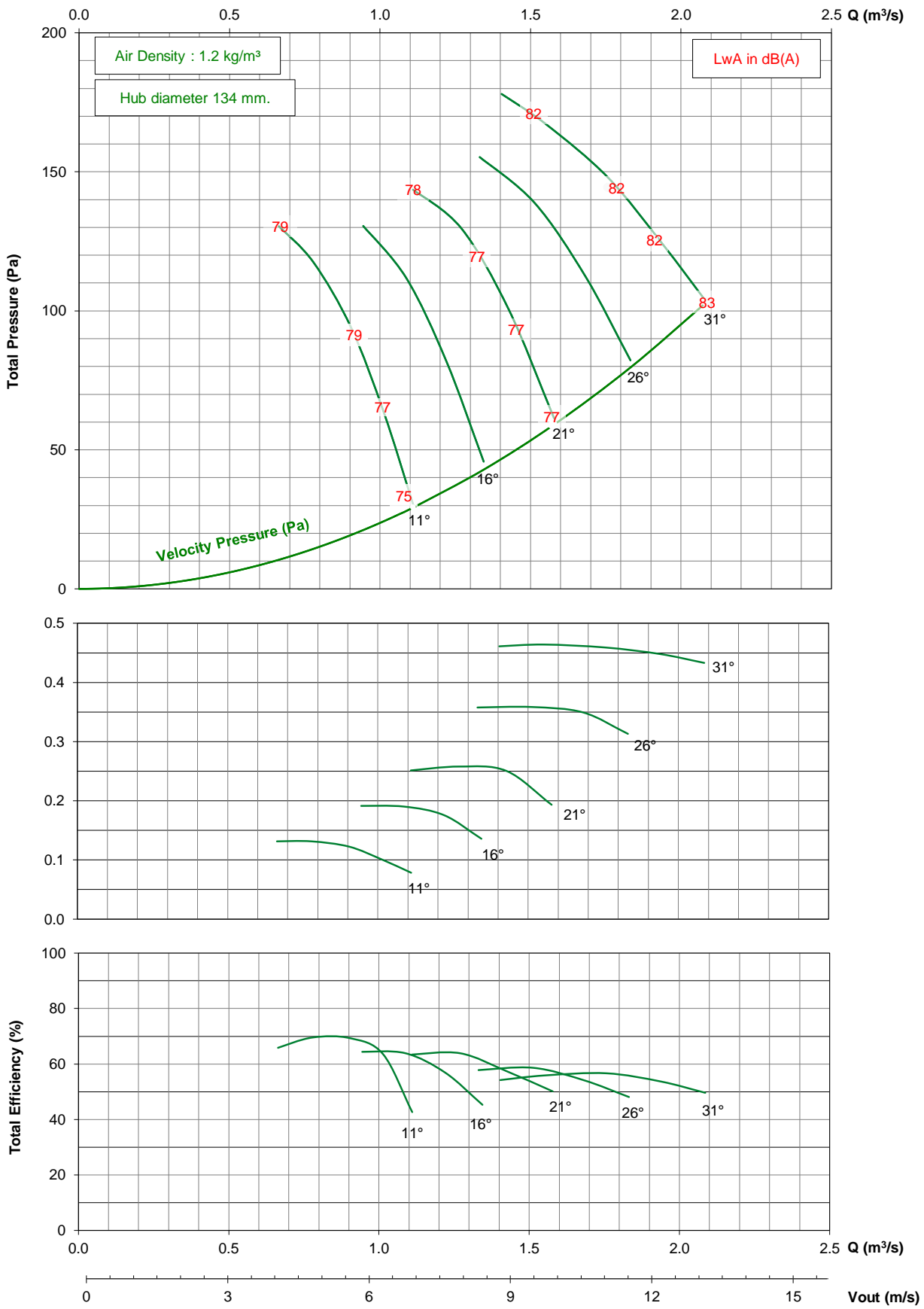
## 1150 rpm - 60 Hz



- Performance certified is for installation type D - ducted inlet, ducted outlet. Performance ratings do not include the effects of appurtenances (accessories).  
 - The A-weighted sound ratings shown have been calculated per AMCA International Standard 301. Values shown are for inlet Lwi(A) sound power levels for installation type D - ducted inlet, ducted outlet. Ratings include the effects of duct end correction.

# TDA 450/ 9AA/ 8-8/ \_ \_/ \_

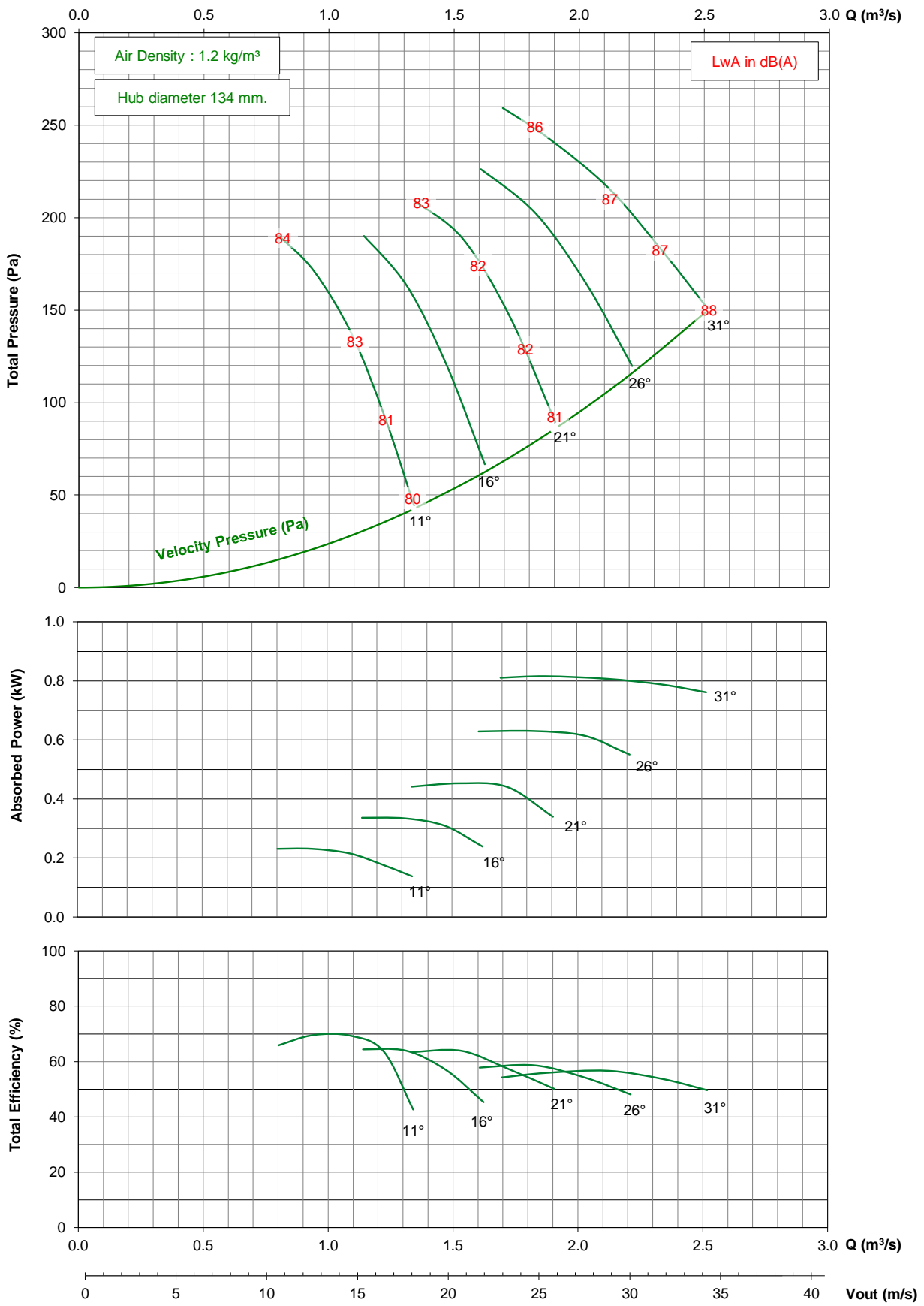
## 1450 rpm - 50 Hz



- Performance certified is for installation type D - ducted inlet, ducted outlet. Performance ratings do not include the effects of appurtenances (accessories).  
 - The A-weighted sound ratings shown have been calculated per AMCA International Standard 301. Values shown are for inlet Lwi(A) sound power levels for installation type D - ducted inlet, ducted outlet. Ratings include the effects of duct end correction.

# TDA 450/ 9AA/ 8-8/ \_ \_/ \_

## 1750 rpm - 60 Hz



- Performance certified is for installation type D - ducted inlet, ducted outlet. Performance ratings do not include the effects of appurtenances (accessories).

- The A-weighted sound ratings shown have been calculated per AMCA International Standard 301. Values shown are for inlet Lwi(A) sound power levels for installation type D - ducted inlet, ducted outlet. Ratings include the effects of duct end correction.