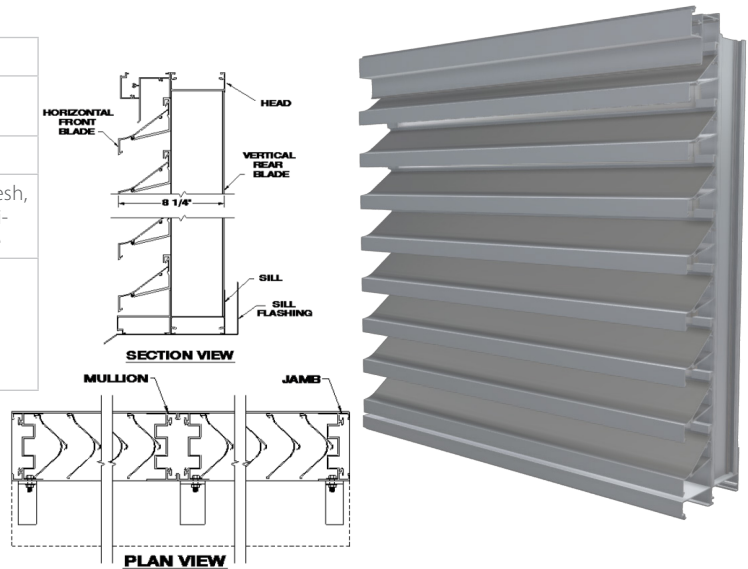


Model RS-8615
8" (203.2 mm) Storm Resistant Fixed Horizontal Louver

Material:

| | |
|--|--|
| Material: | 6063-T6 Alloy |
| Nominal Thickness (heads, sills, jambs, & mullions): | 0.080" (2.03 mm) |
| Nominal Blade Thickness: | 0.068" (1.60 mm) & 0.060" (1.52 mm) |
| Furnished With: | Birdscreen: ½" intercrimp aluminum mesh, 0.063" diameter wire removeable aluminum bird screen in an aluminum frame |
| Additional Options (at additional cost): | Insect screen (in lieu of bird screen), Continuous clip angles for attachment, Sheet blank off, Insulated blank off, Sill pans, Flange frames, Integrated glazing frames |



Test Summary:

For a 4 Foot by 4 Foot Unit.

Tested with mill finish and no screen

- Free area = 8.53 ft² (0.79 m²)
- Percent free area = 53.3%
- Intake Pressure Drop at 1,000 FPM free area velocity = 0.45 in H₂O (111.8 Pa)
- To maintain a CLASS A (99%) effectiveness rating* with:
 - a 29.1 mph wind speed and rainfall rate of 3 in/hr
 - Max. intake core velocity 3.9 m/s (772 FPM)
 - Max. intake free area velocity 6.6 m/s (1,300 FPM)
- To maintain a CLASS A (99%) effectiveness rating* with:
 - a 50 mph wind speed and rainfall rate of 8 in/hr
 - Max. intake core velocity 2.5 m/s (493 FPM)
 - Max. intake free area velocity 4.2 m/s (830 FPM)

Discharge Coefficient
 Intake Cd = 0.23 (Class 3)
 AMCA certifies the coefficient class only



Construction Specialties Inc. certifies that the louver model RS-8615 shown herein is licensed to bear the AMCA Seal. The ratings shown are based on tests and procedures performed in accordance with AMCA Publication 511 and comply with the requirements of the AMCA Certified ratings Program. The AMCA Certified Ratings Seal applies to wind driven rain and air performance ratings.

Wind Driven Rain Performance: Tested with 1m² core area, mill finish and no screen*

29.1 mph (13 m/s) & 3" (75 mm) rain per hour

| | | | | | | | | | | | |
|---|-----|-----|-----|-----|-----|-----|-----|------|------|------|------|
| Core Velocity Through Cal. Plate (m/s): | 0.0 | 0.5 | 1.0 | 1.5 | 2.0 | 2.5 | 2.9 | 3.5 | 3.9 | 4.5 | 5.0 |
| Core Velocity Through Louver (ft/min): | 0 | 132 | 197 | 287 | 380 | 472 | 564 | 674 | 772 | 849 | 985 |
| Free Area Velocity (ft/min): | 0 | 222 | 332 | 483 | 640 | 795 | 950 | 1135 | 1300 | 1430 | 1659 |
| Rating Effectiveness: | A | A | A | A | A | A | A | A | A | B | C |
| Effectiveness Ratio (%): | | | | | | | 100 | 99.6 | 99.1 | 98.4 | 94.1 |

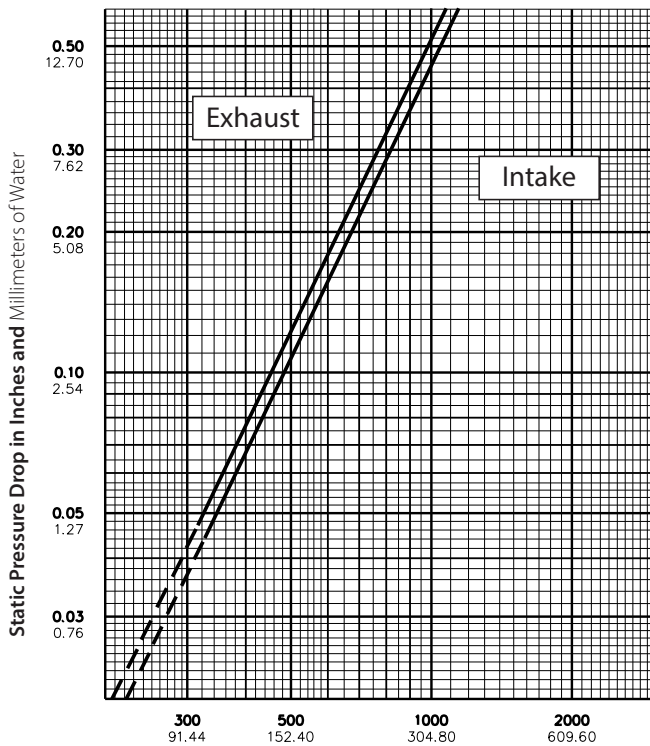
50 mph (22.3 m/s) & 8" (203 mm) rain per hour

| | | | | | | | | | | | |
|---|---------------|-----|-----|-------------------|------|------|-------------------|------|------|----------------|------|
| Core Velocity Through Cal. Plate (m/s): | 0.0 | 0.5 | 1.0 | 1.5 | 2.0 | 2.5 | 3.0 | 3.5 | 4.0 | 4.5 | 5.0 |
| Core Velocity Through Louver (ft/min): | 0 | 96 | 194 | 287 | 399 | 493 | 595 | 690 | 785 | 892 | 981 |
| Free Area Velocity (ft/min): | 0 | 162 | 327 | 483 | 672 | 830 | 1002 | 1162 | 1322 | 1502 | 1652 |
| Rating Effectiveness: | A | A | A | A | A | A | B | B | B | B | C |
| Effectiveness Ratio (%): | | | | 100.0 | 99.8 | 99.5 | 98.8 | 98.4 | 97.6 | 96.4 | 93.9 |
| Effectiveness Rating: | A = 1 to 0.99 | | | B = 0.989 to 0.95 | | | C = 0.949 to 0.80 | | | D = Below 0.80 | |

Model RS-8615
8" (203.5 mm) Storm Resistant Fixed Horizontal Louver

Water Penetration Statement

AMCA defines the point of beginning water penetration as the free area velocity at which the AMCA water test has yielded 0.01 or less ounces of water per square foot of louver free area during a 15-minute test period.



Air Velocity in Feet and Meters per Minute Through Free Area

Data corrected to standard air density.
 48" x 48" louver tested to figure 5.5.

Free Area Table (Free area in sq. feet and sq. meters)

For additional sizes, please visit:

<https://www.c-sgroup.com/architectural-louvers/louvers-airflow-tool>

| Height in Inches and Meters | Width in Inches and Meters | | | | | | | |
|-----------------------------|----------------------------|-------|-------|-------|-------|-------|-------|-------|
| | 18 | 24 | 30 | 36 | 42 | 48 | 54 | 60 |
| 0.46 | 0.61 | 0.76 | 0.91 | 1.07 | 1.22 | 1.37 | 1.52 | |
| 18 | 0.82 | 1.17 | 1.53 | 1.88 | 2.24 | 2.60 | 2.95 | 3.31 |
| 0.46 | 0.08 | 0.11 | 0.14 | 0.18 | 0.21 | 0.24 | 0.27 | 0.31 |
| 24 | 1.19 | 1.71 | 2.23 | 2.75 | 3.26 | 3.78 | 4.30 | 4.82 |
| 0.61 | 0.11 | 0.16 | 0.21 | 0.26 | 0.30 | 0.35 | 0.40 | 0.45 |
| 30 | 1.56 | 2.24 | 2.93 | 3.61 | 4.29 | 4.97 | 5.65 | 6.33 |
| 0.76 | 0.15 | 0.21 | 0.27 | 0.34 | 0.40 | 0.46 | 0.52 | 0.59 |
| 36 | 1.94 | 2.78 | 3.62 | 4.47 | 5.31 | 6.15 | 7.00 | 7.84 |
| 0.91 | 0.18 | 0.26 | 0.34 | 0.42 | 0.49 | 0.57 | 0.65 | 0.73 |
| 42 | 2.31 | 3.32 | 4.32 | 5.33 | 6.33 | 7.34 | 8.35 | 9.35 |
| 1.07 | 0.21 | 0.31 | 0.40 | 0.50 | 0.59 | 0.68 | 0.78 | 0.87 |
| 48 | 2.68 | 3.85 | 5.02 | 6.19 | 7.36 | 8.53 | 9.70 | 10.86 |
| 1.22 | 0.25 | 0.36 | 0.47 | 0.58 | 0.68 | 0.79 | 0.90 | 1.01 |
| 54 | 3.06 | 4.39 | 5.72 | 7.05 | 8.38 | 9.71 | 11.05 | 12.38 |
| 1.37 | 0.28 | 0.41 | 0.53 | 0.66 | 0.78 | 0.90 | 1.03 | 1.15 |
| 60 | 3.43 | 4.92 | 6.42 | 7.91 | 9.41 | 10.90 | 12.39 | 13.89 |
| 1.52 | 0.32 | 0.46 | 0.60 | 0.74 | 0.87 | 1.01 | 1.15 | 1.29 |
| 66 | 3.80 | 5.46 | 7.12 | 8.77 | 10.43 | 12.09 | 13.74 | 15.40 |
| 1.68 | 0.35 | 0.51 | 0.66 | 0.82 | 0.97 | 1.12 | 1.28 | 1.43 |
| 72 | 4.18 | 6.00 | 7.82 | 9.63 | 11.45 | 13.27 | 15.09 | 16.91 |
| 1.83 | 0.39 | 0.56 | 0.73 | 0.90 | 1.06 | 1.23 | 1.40 | 1.57 |
| 78 | 4.55 | 6.53 | 8.51 | 10.50 | 12.48 | 14.46 | 16.44 | 18.42 |
| 1.98 | 0.42 | 0.61 | 0.79 | 0.98 | 1.16 | 1.34 | 1.53 | 1.71 |
| 84 | 4.92 | 7.07 | 9.21 | 11.36 | 13.50 | 15.65 | 17.79 | 19.93 |
| 2.13 | 0.46 | 0.66 | 0.86 | 1.06 | 1.25 | 1.45 | 1.65 | 1.85 |
| 90 | 5.06 | 7.27 | 9.47 | 11.68 | 13.89 | 16.09 | 18.30 | 20.50 |
| 2.29 | 0.47 | 0.68 | 0.88 | 1.09 | 1.29 | 1.49 | 1.70 | 1.90 |
| 96 | 5.44 | 7.81 | 10.17 | 12.54 | 14.91 | 17.28 | 19.64 | 22.01 |
| 2.44 | 0.51 | 0.73 | 0.95 | 1.17 | 1.39 | 1.61 | 1.83 | 2.05 |
| 102 | 5.81 | 8.34 | 10.87 | 13.40 | 15.93 | 18.46 | 20.99 | 23.52 |
| 2.59 | 0.54 | 0.77 | 1.01 | 1.25 | 1.48 | 1.72 | 1.95 | 2.19 |
| 108 | 6.18 | 8.88 | 11.57 | 14.26 | 16.96 | 19.65 | 22.34 | 25.04 |
| 2.74 | 0.57 | 0.82 | 1.07 | 1.33 | 1.58 | 1.83 | 2.08 | 2.33 |
| 114 | 6.56 | 9.41 | 12.27 | 15.12 | 17.98 | 20.84 | 23.69 | 26.55 |
| 2.90 | 0.61 | 0.87 | 1.14 | 1.41 | 1.67 | 1.94 | 2.20 | 2.47 |
| 120 | 6.93 | 9.95 | 12.97 | 15.99 | 19.00 | 22.02 | 25.04 | 28.06 |
| 3.05 | 0.64 | 0.92 | 1.20 | 1.49 | 1.77 | 2.05 | 2.33 | 2.61 |
| 126 | 7.30 | 10.49 | 13.67 | 16.85 | 20.03 | 23.21 | 26.39 | 29.57 |
| 3.20 | 0.68 | 0.97 | 1.27 | 1.57 | 1.86 | 2.16 | 2.45 | 2.75 |
| 132 | 7.68 | 11.02 | 14.37 | 17.71 | 21.05 | 24.40 | 27.74 | 31.08 |
| 3.35 | 0.71 | 1.02 | 1.33 | 1.65 | 1.96 | 2.27 | 2.58 | 2.89 |
| 138 | 8.05 | 11.56 | 15.06 | 18.57 | 22.08 | 25.58 | 29.09 | 32.59 |
| 3.51 | 0.75 | 1.07 | 1.40 | 1.73 | 2.05 | 2.38 | 2.70 | 3.03 |
| 144 | 8.43 | 12.09 | 15.76 | 19.43 | 23.10 | 26.77 | 30.44 | 34.11 |
| 3.66 | 0.78 | 1.12 | 1.46 | 1.81 | 2.15 | 2.49 | 2.83 | 3.17 |
| 150 | 8.80 | 12.63 | 16.46 | 20.29 | 24.12 | 27.95 | 31.79 | 35.62 |
| 3.81 | 0.82 | 1.17 | 1.53 | 1.89 | 2.24 | 2.60 | 2.95 | 3.31 |
| 156 | 9.17 | 13.17 | 17.16 | 21.15 | 25.15 | 29.14 | 33.14 | 37.13 |
| 3.96 | 0.85 | 1.22 | 1.59 | 1.97 | 2.34 | 2.71 | 3.08 | 3.45 |
| 162 | 9.55 | 13.70 | 17.86 | 22.01 | 26.17 | 30.33 | 34.48 | 38.64 |
| 4.11 | 0.89 | 1.27 | 1.66 | 2.05 | 2.43 | 2.82 | 3.20 | 3.59 |
| 168 | 9.92 | 14.24 | 18.56 | 22.88 | 27.19 | 31.51 | 35.83 | 40.15 |
| 4.27 | 0.92 | 1.32 | 1.72 | 2.13 | 2.53 | 2.93 | 3.33 | 3.73 |
| 174 | 10.06 | 14.44 | 18.82 | 23.20 | 27.58 | 31.96 | 36.34 | 40.72 |
| 4.42 | 0.93 | 1.34 | 1.75 | 2.16 | 2.56 | 2.97 | 3.38 | 3.78 |
| 180 | 10.43 | 14.97 | 19.52 | 24.06 | 28.60 | 33.15 | 37.69 | 42.23 |
| 4.57 | 0.97 | 1.39 | 1.81 | 2.24 | 2.66 | 3.08 | 3.50 | 3.92 |
| 186 | 10.81 | 15.51 | 20.22 | 24.92 | 29.63 | 34.33 | 39.04 | 43.74 |
| 4.72 | 1.00 | 1.44 | 1.88 | 2.32 | 2.75 | 3.19 | 3.63 | 4.06 |
| 192 | 11.18 | 16.05 | 20.91 | 25.78 | 30.65 | 35.52 | 40.39 | 45.25 |
| 4.88 | 1.04 | 1.49 | 1.94 | 2.40 | 2.85 | 3.30 | 3.75 | 4.20 |
| 198 | 11.55 | 16.58 | 21.61 | 26.64 | 31.67 | 36.70 | 41.73 | 46.77 |
| 5.03 | 1.07 | 1.54 | 2.01 | 2.48 | 2.94 | 3.41 | 3.88 | 4.34 |

Upper Numerals English Units/Lower Numerals Metric Units