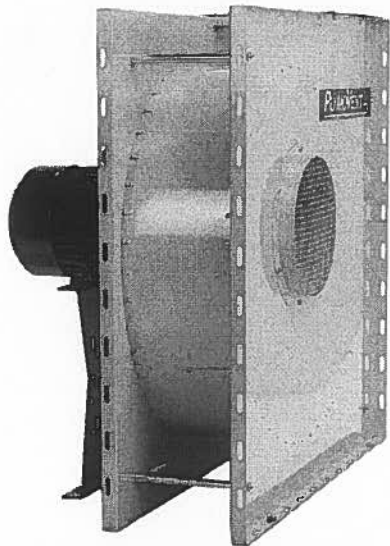


TEV-559-60

The Energy saving Ventilator



ENERGY CONSERVATION

PlymoVent's mission is to design energy efficient products. PlymoVent utilizes as standard equipment Energy Efficient Motors. This standard in conjunction with our new design produces the lowest operating cost fan package offered in the world today. If you have an existing fan, you can replace it with a PlymoVent and reduce your operating costs and in turn receive a return on your investment. Not many other products can stand behind that claim.

POWER CONSUMPTION

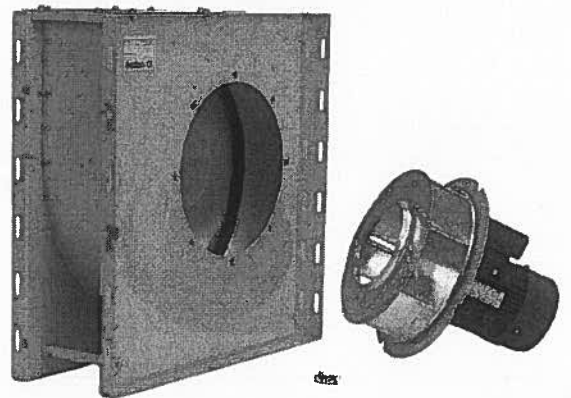
PlymoVent fans require less kW versus air volume delivered. This does not only equate to less power consumption but also less installation cost. This allows the electrical installer to reduce the cost of installation by reducing the associated components required to run the motor.

EASY ACCESS IMPELLER

All PlymoVent fan housings are designed for easy access to the impeller. Our design allows an installer or service technician to remove the motor and impeller wheel without removing inlet or outlet duct-work or disassembling the fan housing. It also provides the installer the option of separating the fan into two pieces when mounting in confined locations above drop ceilings or tight access ways.

AIRFOIL IMPELLER

PlymoVent in co-operation with an internationally recognized university, has designed the ultimate airfoil fan impeller. Through the use of aerospace design techniques, PlymoVent has been successful in designing a fan impeller that maximizes air delivery at higher static pressures and reduces energy consumption at the same time. PlymoVent fans deliver the air volume you need at 30% less energy required over any competitive fan.



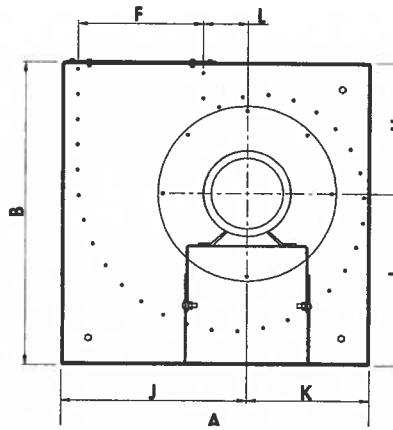
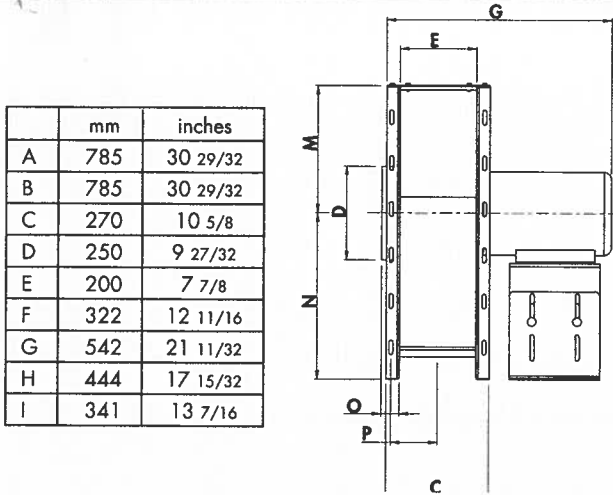
www.plymovent.com



PLYMOVENT®
INTELLIGENT PROCESS VENTILATION™

Plymovent Corporation certifies that the product shown herein is licensed to bear the AMCA Seal. The ratings shown are based on tests and procedures performed in accordance with AMCA Publication 211 and AMCA Publication 311 and comply with the requirements of the AMCA Certified Ratings Program.

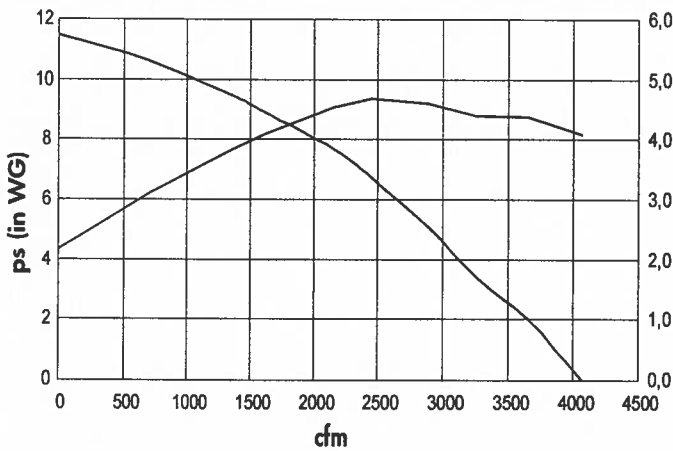
PlymoVent reserves the right to make design and technical changes.



	mm	inches
A	785	30 29/32
B	785	30 29/32
C	270	10 5/8
D	250	9 27/32
E	200	7 7/8
F	322	12 11/16
G	542	21 11/32
H	444	17 15/32
I	341	13 7/16

	mm	inches
J	475	18 11/16
K	310	12 7/32
L	112	4 13/32
M	341	13 7/16
N	444	17 15/32
O	25	1
P	119	4 13/32

TECHNICAL DATA



Performance shown is for installation type D: Ducted inlet, Ducted outlet. Performance ratings do not include the effects of appurtenance in the airstream. Performance measured at a speed of 3500 RPM and the efficiency of the motor.

Fan specifications

- Construction: AMCA Type - B
- Drive type: Direct drive
- Impeller type: Backward incline
- Impeller material: Aluminum
- Impeller diameter: 16.3 inch
- Impeller width: 2.32 inch
- Hub size: 1 1/8 inch
- Discharge style: Rotational 90°
- Shaft seal: Rubber
- Housing material: Galvanized steel
- Housing finish: Epoxy powder coat
- Total fan weight: 175 lbs

Motor specifications

- Frame size: NEMA 184TC
- Motor type: TEFC (IP 55)
- Rated output: 5.0 HP
- Thermal protection: No
- CSA: Yes
- CE-listed: Yes
- Continuous duty: 104°F/40°C
- 3 phase motor**
- Voltage: 208-230/460 V
- Full load current: 13.0-11.8/5.90A
- Motor RPM: 3480
- Service factor: 1.25
- 1 phase motor**
- Voltage: 208-230 V
- Full load current: 21.0/10.5A
- Motor RPM: 3490
- Service factor: 1.15

Electrical power is available for all international electrical power sources.

SOUND POWER DATA

Speed	Pressure in wg	Octave Band (Hz)								LwA
		63 Hz	125 Hz	250 Hz	500 Hz	1000 Hz	2000 Hz	4000 Hz	8000 Hz	
3500	0	105	104	99	96	92	92	88	83	99
3500	1	106	105	101	97	92	91	87	81	100
3500	2	107	106	102	98	93	90	86	80	100
3500	3	107	106	102	97	92	89	85	79	100
3500	4	107	106	101	97	91	89	84	78	99
3500	5	106	106	101	96	91	88	83	78	99

Performance shown is for installation type D: Ducted inlet, Ducted outlet. The sound power level ratings shown are in decibels, referred to 10-12 watts calculated per AMCA standard 301. Values are shown for inlet LwA sound power levels for installation Type D: ducted inlet, ducted outlet. Ratings include the effects of duct end correction.



PlymoVent Corp.
 375 Raritan Center Parkway,
 Edison, New Jersey 08837, USA
 Tel: (732) 417 0808,
 Fax: (732) 417 1818
 www.plymovent.com
 info@plymoventusa.com

PlymoVent Inc.
 6615 Ordan Drive, Unit # 3,
 Mississauga, Ontario L5T 1X2, Canada
 Tel: (905) 564 4748,
 Fax: (905) 564 4609
 www.plymovent.com
 info@plymovent.ca

PlymoVent representative

