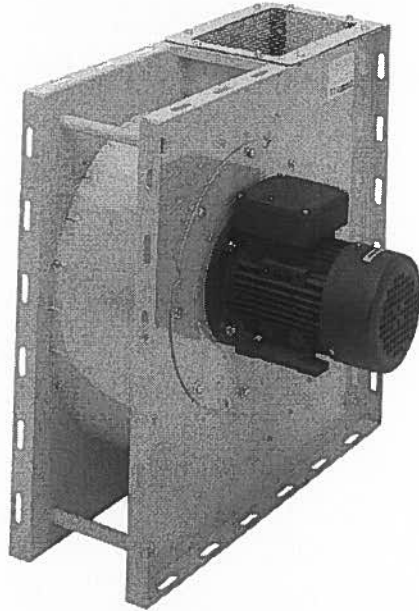


TEV-3110-60

The Energy saving Ventilator



ENERGY CONSERVATION

PlymoVent's mission is to design energy efficient products. PlymoVent utilizes as standard equipment Energy Efficient Motors. This standard in conjunction with our new design produces the lowest operating cost fan package offered in the world today. If you have an existing fan, you can replace it with a PlymoVent and reduce your operating costs and in turn receive a return on your investment. Not many other products can stand behind that claim.

POWER CONSUMPTION

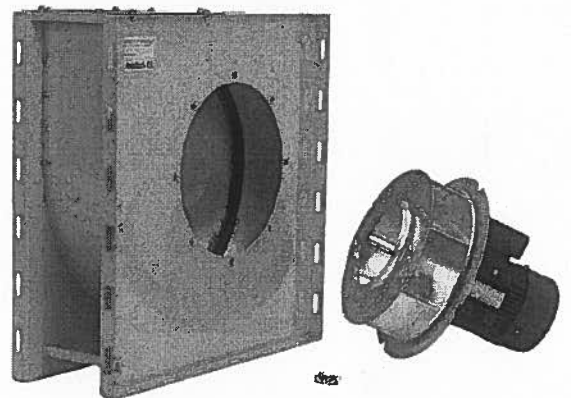
PlymoVent fans require less kW versus air volume delivered. This does not only equate to less power consumption but also less installation cost. This allows the electrical installer to reduce the cost of installation by reducing the associated components required to run the motor.

EASY ACCESS IMPELLER

All PlymoVent fan housings are designed for easy access to the impeller. Our design allows an installer or service technician to remove the motor and impeller wheel without removing inlet or outlet ductwork or disassembling the fan housing. It also provides the installer the option of separating the fan into two pieces when mounting in confined locations above drop ceilings or tight access ways.

AIRFOIL IMPELLER

PlymoVent in co-operation with an internationally recognized university, has designed the ultimate airfoil fan impeller. Through the use of aerospace design techniques, PlymoVent has been successful in designing a fan impeller that maximizes air delivery at higher static pressures and reduces energy consumption at the same time. PlymoVent fans deliver the air volume you need at 30% less energy required over any competitive fan.



www.plymovent.com

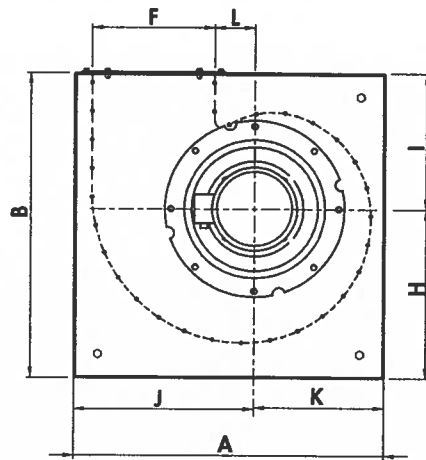
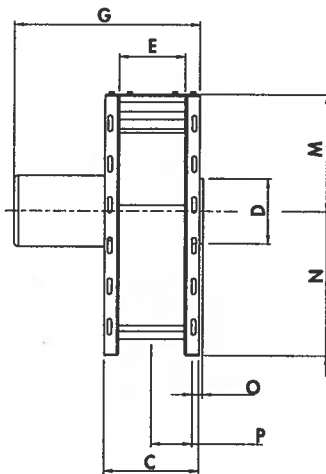


PLYMOVENT[®]
INTELLIGENT PROCESS VENTILATION™

Plymovent Corporation certifies that the product shown herein is licensed to bear the AMCA Seal. The ratings shown are based on tests and procedures performed in accordance with AMCA Publication 211 and AMCA Publication 311 and comply with the requirements of the AMCA Certified Ratings Program.

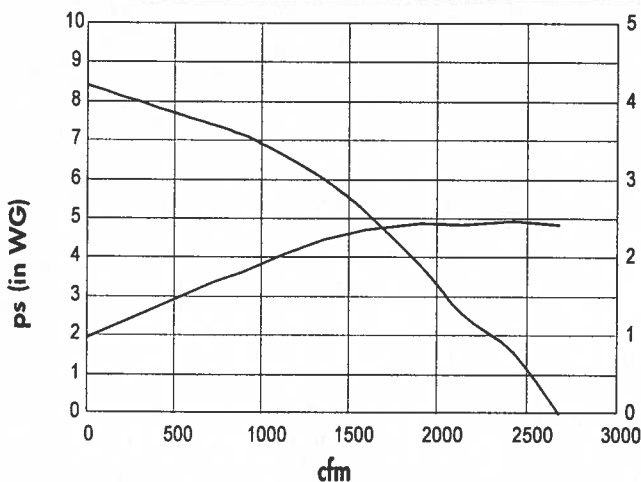
PlymoVent reserves the right to make design and technical changes.

	mm	inches
A	640	25 3/16
B	640	25 3/16
C	230	9 1/16
D	200	7 7/8
E	160	6 5/16
F	254	10
G	472	18 19/16
H	355	13 31/32



	mm	inches
I	288	11 11/32
J	373	14 11/16
K	267	10 1/2
L	83	3 9/32
M	288	11 11/32
N	355	13 31/32
O	25	1
P	99	3 15/16

TECHNICAL DATA



Performance shown is for installation type D: Ducted inlet, Ducted outlet. Performance ratings do not include the effects of appurtenance in the airstream. Performance measured at a speed of 3500 RPM and the efficiency of the motor.

Fan specifications

Construction: AMCA Type - B
 Drive type: Direct drive
 Impeller type: Backward incline
 Impeller material: Aluminum
 Impeller diameter: 2.4 inch
 Impeller width: 4.33 inch
 Hub size: 5/8 inch
 Discharge style: Rotational 90°
 Shaft seal: Rubber
 Housing material: Galvanized steel
 Housing finish: Epoxy powder coat
 Total fan weight: 85 lbs

Motor specifications

Frame size: NEMA 56C 3-ph
 Motor type: TEFC (IP 55)
 Rated output: 3.0 HP
 Thermal protection: No
 CSA: Yes
 CE-listed: Yes
 Continuous duty: 104°F/40°C
3 phase motor
 Voltage: 208-230/460 V
 Full load current: 8.40-7.60/3.80A
 Motor RPM: 3450
 Service factor: 1.15
1 phase motor
 Voltage: 115/230V
 Full load current: 13.5A
 Motor RPM: 3500
 Service factor: 1.15

Electrical power is available for all international electrical power sources.

SOUND POWER DATA

Octave Band (Hz)

Speed	Pressure in WG	63 Hz	125 Hz	250 Hz	500 Hz	1000 Hz	2000 Hz	4000 Hz	4000 Hz	LwA	Sones
3500	0	99	103	99	97	91	86	83	78	98	51
3500	1	100	103	99	96	90	85	82	77	97	50
3500	2	100	104	99	96	89	85	81	76	97	49
3500	3	100	104	99	96	89	84	79	74	97	49
3500	4	101	105	99	96	89	83	79	74	97	50

Performance shown is for installation type D: Ducted inlet, Ducted outlet. The sound power level ratings shown are in decibels, referred to 10-12 watts calculated per AMCA standard 301. Values are shown for inlet LwA sound power levels for installation Type D: ducted inlet, ducted outlet. Ratings include the effects of duct end correction.



PlymoVent Corp.
 375 Raritan Center Parkway,
 Edison, New Jersey 08837, USA
 Tel: (732) 417 0808,
 Fax: (732) 417 1818
 www.plymovent.com
 info@plymoventusa.com

PlymoVent Inc.
 6615 Ordan Drive, Unit # 3,
 Mississauga, Ontario L5T 1X2, Canada
 Tel: (905) 564 4748,
 Fax: (905) 564 4609
 www.plymovent.com
 info@plymovent.ca

PlymoVent representative