

MODEL EA-22

Miami-Dade HVHZ Louver • 4" Deep • 45° Dual Drainable Blades • Stationary • Extruded Aluminum

Standard Materials and Construction

FRAME: .125" thick (nominal) extruded aluminum, 6063-T52/T6 alloy.

BLADE: .125" thick (nominal) extruded aluminum, 6063-T52/T6 alloy.
Blades approximately 4" on centers.

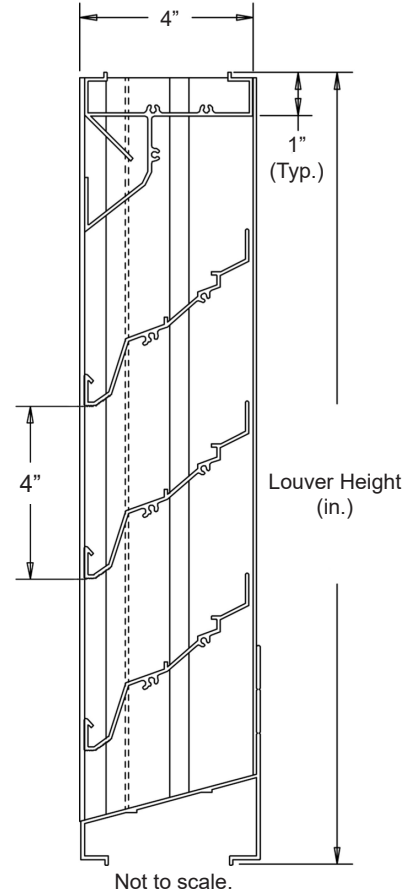
LOUVER FACE: Full width sill with head and blades contained within jambs.
Welded construction.

SCREEN: (When indicated, in a removable frame.)

- 1/2" flattened aluminum (.051" thick),
- or- 1/2" sq. mesh, intermediate double-crimped aluminum wire, .063" dia.,
- or- 18/16 mesh, .011" dia. aluminum wire, insect screen.

FINISH: Mill

Withstands pressures up to ±150 PSF.



Test Methods

Passed the following Miami-Dade County Florida Test Protocols:

- TAS (PA) 201
- TAS (PA) 202
- TAS (PA) 203

Options

Finish - Baked Enamel, Kynar, Anodize
Extended Sill

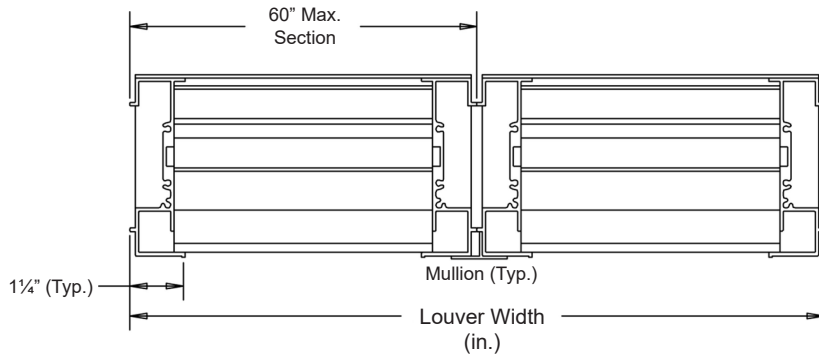
Notes

1. Nominal deductions will be made to the opening size given.
2. Approximate shipping weight is 6.0 lbs./sq.ft.

Louver Sizes

Min Panel	Max Single Panel
12"W x 12"H	60"W x 96"H

Windload requirements may limit panel sizes.



Item #	Qty	Width	Height	Width	Height	Mullion	Type	Location	Union Made
		Opening Size		Louver Size			Screens		
Arch. / Eng.:						EDR:		ECN:	Job:
Contractor:									
Project:						Date:		DWN:	DWG:



Visit our Miami-Dade Listing Page for the latest NOA information:
<https://goo.gl/DJ5UtM>

In the interest of product development, Arrow United reserves the right to make changes without notice.
450 Riverside Dr • Wyalusing PA, 18853 • Phone 570-746-1888 • Fax 570-746-9286
AUI-09-01-01

MODEL EA-22

Miami-Dade HVHZ Louver • 4" Deep • 45° Dual Drainable Blades • Stationary • Extruded Aluminum

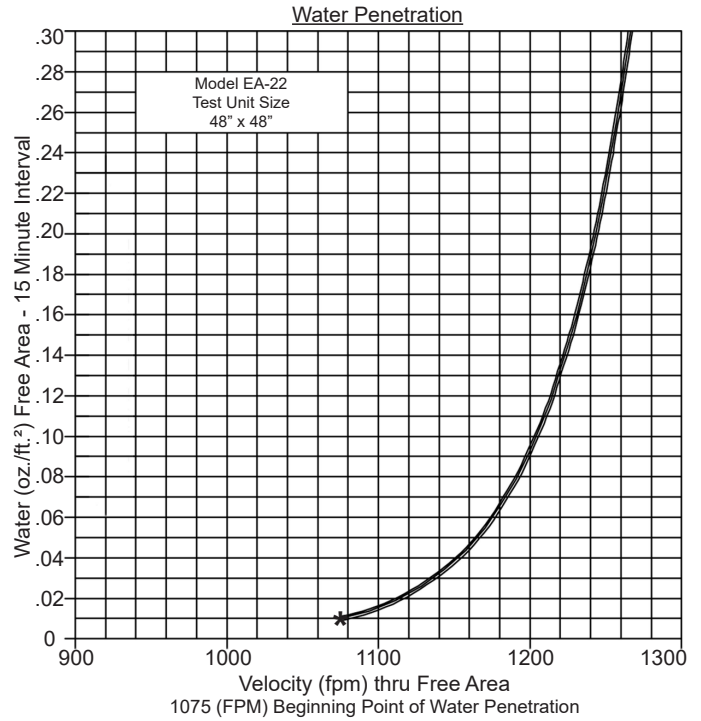
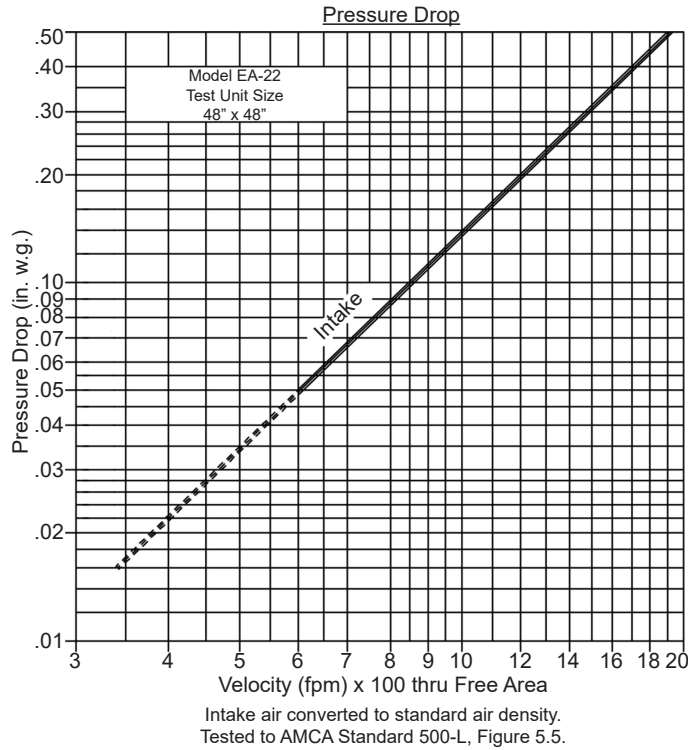
Performance Data

Pressure Drop: .15 in. w.g. at 1000 fpm (intake)

Free Area: 8.37 sq.ft. = 52% for 48"W x 48"H sample tested in accordance with AMCA Standard 500-L.

Beginning Point of Water Penetration: 1075 fpm

Ratings do not include effects of a screen.



Free Area (sq.ft.)

		Width (in.)								
		12"	18"	24"	30"	36"	42"	48"	54"	60"
Height (in.)	12"	.31	.50	.70	.90	1.09	1.29	1.48	1.68	1.87
	24"	.81	1.31	1.82	2.33	2.84	3.35	3.86	4.36	4.87
	36"	1.30	2.12	2.94	3.77	4.59	5.41	6.23	7.05	7.87
	48"	1.80	2.93	4.07	5.20	6.34	7.47	8.37	9.74	10.87
	60"	2.29	3.74	5.19	6.64	8.08	9.53	10.98	12.43	13.88
	72"	2.79	4.55	6.31	8.07	9.83	11.59	13.35	15.12	16.88
	84"	3.28	5.36	7.43	9.51	11.58	13.65	15.73	17.80	19.88
	96"	3.78	6.17	8.55	10.94	13.33	15.72	18.10	20.49	22.88



Arrow United Industries certifies that the Model EA-22 shown herein is licensed to bear the AMCA seal. The ratings shown are based on tests and procedures performed in accordance with AMCA Publication 511 and comply with the requirements of the AMCA Certified Ratings Program. The AMCA Certified Ratings Seal applies to Water Penetration and Air Performance Ratings only.



Visit our Miami-Dade Listing Page for the latest NOA information:

<https://goo.gl/DJ5UtM>

450 Riverside Dr • Wyalusing PA, 18853 • Phone 570-746-1888 • Fax 570-746-9286

AUI-09-01-01

MODEL EA-22

Miami-Dade HVHZ Louver • 4" Deep • 45° Dual Drainable Blades • Stationary • Extruded Aluminum

Installation Details

