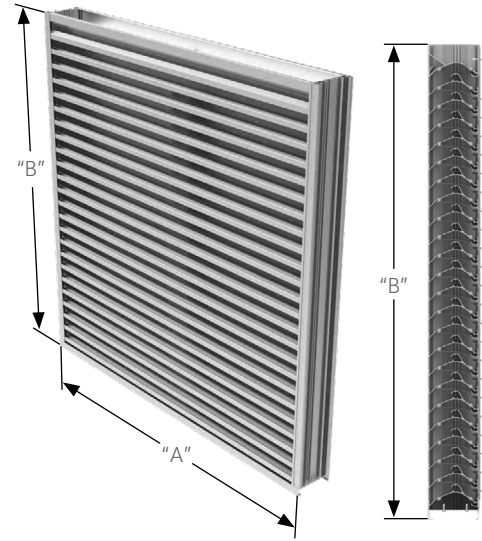


APPLICATION

The 5DDWRDC is a Miami Dade approved 5" deep mechanically fastened, extruded aluminum, double drainable, horizontal, stationary louver designed to protect air intake and exhaust openings in exterior walls in hurricane conditions. This louver offers exceptional protection against wind-driven rain under the most severe conditions. It's designed with a drainable gutter system that channels water from the blades to downspouts in the jambs, where water is exhausted out of the front of the louver.

STANDARD CONSTRUCTION

Frame	Box frame, 5" (127) deep, 6063T6 extruded aluminum with .081" (2.1) nominal wall thickness. Downspouts and caulking provided. Universal Installation Frame: Same material and gages as above with flange.
Blades	6063T6 extruded aluminum .060" (1.5) nominal wall thickness. Double drainable blades are sightproof.
Screen	5/8" x .040" (16 x 1) expanded flattened aluminum bird screen in removable frame.
Finish	Mill.
Minimum Size	12"w x 12"h (305 x 305).
Approximate Shipping Weight	10 lbs. per sq. ft. (49 kg/m ²).
Maximum Factory Assembly Size	Single section: (Varies) 90"w x 112"h (2286 x 3658) or 144"w x 90"h (3658 x 2286). Field Assembly: Unlimited width x 144"h (3658). Multiple section louvers will be shipped in single sections and must be joined together in the field by the installer. Section joint splice hardware is provided. Sections may not be stacked in height without a horizontal structural member supplied by others. Openings taller than the maximum louver height will need to be divided into multiple openings with suitable structural members. Structural members are not designed or provided by Reliable.
Installation	The 5DDWRDC must be installed per the appropriate Installation Detail. Reference the appropriate separate Installation Instruction Sheet.



VARIATIONS

- Universal Flange Frame construction when fasteners penetrating the wall are not utilized
- Extended sill
- Front or rear security bars
- Filter racks
- Universal sleeve
- Blank off panels
- Integral flange
- Drip cap
- A variety of bird and insect screens
- Selection of finishes: prime coat, 50% PVDF (modified fluoropolymer), epoxy, Pearledize 50 & 70, 70% PVDF, clear and color anodize. (Some variation in anodize color consistency is possible)

Consult Reliable for other special requirements.

Please provide Rough Opening dimensions for A & B dimensions. Unless ordered as actual size, louver will be provided 1/4" (6) smaller than the "A" and "B" dimensions provided.

Consult Reliable for additional information.

FEATURES

- Various frame construction for use in cast in-place concrete, grout filled, CMU, Wood and steel installations
- Maximum windload ±120 PSF (5.75 kPa)
- Horizontal blades minimize the penetration of wind-driven rain, reducing damage and additional operating expenses
- 47% Free Area
- Published performance ratings based on testing in accordance with AMCA Publication 511 & 512
- Excellent pressure drop performance
- Aluminum construction for low maintenance and high resistance to corrosion
- Miami Dade Approval NOA# 20-1015.05 expires 2/23/2026

Note:

- Dimensions in inches, parenthesis () indicate millimeters.

PERFORMANCE DATA

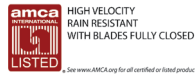


This product has been tested and certified by AMCA International.



This product has been tested and certified by AMCA International.

This product has been tested and certified by AMCA International.



This product has been tested and certified by AMCA International.

Reliable Products certifies that the 5DDWRDC shown herein is approved to bear the AMCA Listing Label. The ratings shown are based on tests and procedures performed in accordance with AMCA Publications and comply with the requirements of the AMCA Listing Label Program.

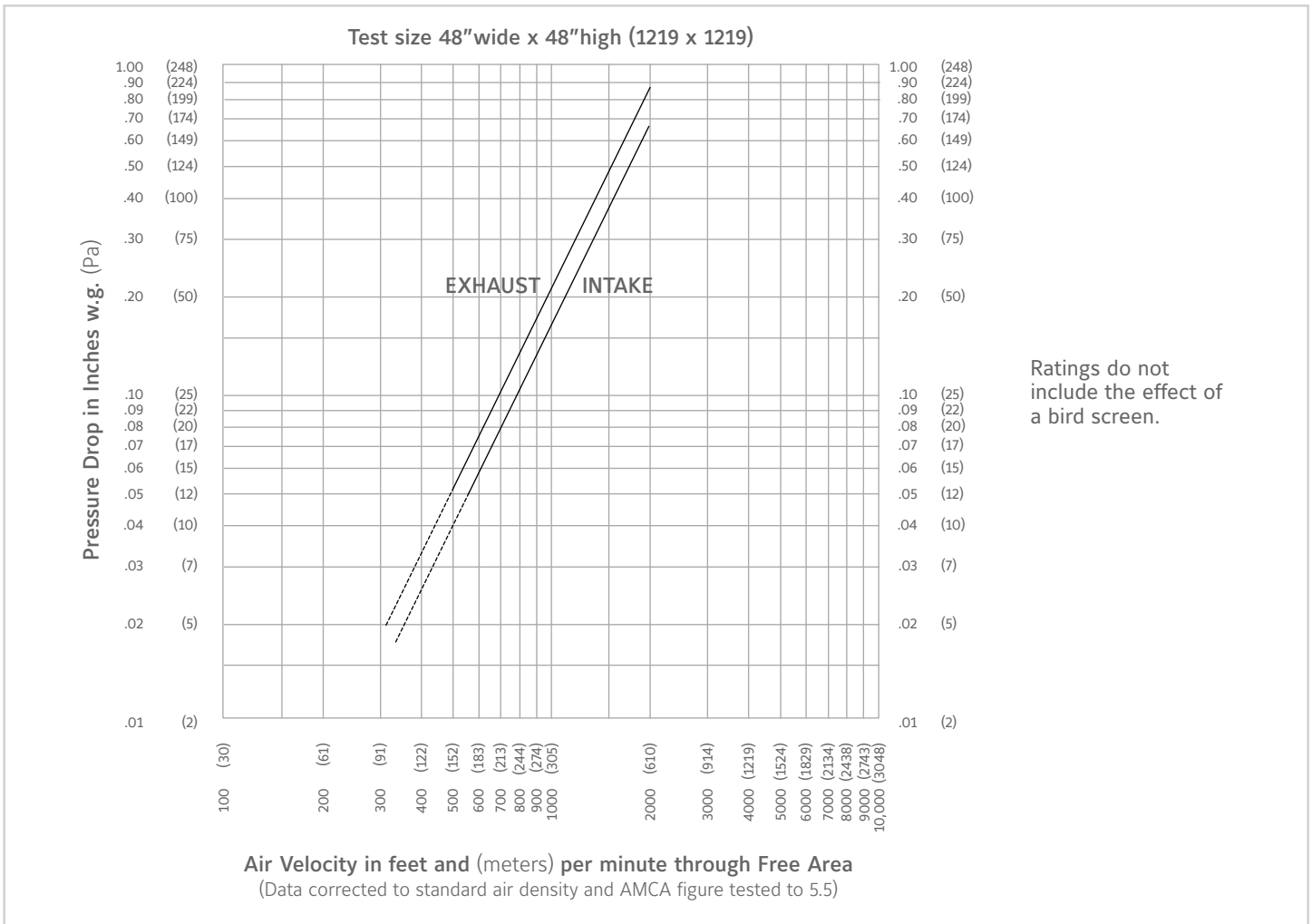
The AMCA Listing Label applies to Wind Borne Debris Impact Resistant Louvers (with optional CD40, CD50, or SD60 damper in the closed position).

FREE AREA GUIDE

Free Area Guide shows free area in ft² and m² for various sizes of 5DDWRDC.

		Width – Inches and Meters																		
		12	18	24	30	36	42	48	54	60	66	72	78	84	90	96	102	108	114	120
Height – Inches and Meters	12	0.30	0.45	0.60	0.75	0.90	1.05	1.20	1.35	1.50	1.65	1.80	1.95	2.10	2.25	2.40	2.55	2.70	2.85	3.00
	18	0.28	0.45	0.62	0.80	0.97	1.14	1.32	1.49	1.66	1.83	2.01	2.18	2.35	2.53	2.70	2.87	3.05	3.22	3.39
	24	0.49	0.79	1.09	1.40	1.70	2.00	2.31	2.61	2.91	3.22	3.52	3.82	4.13	4.43	4.73	5.04	5.34	5.64	5.94
	30	0.70	1.13	1.56	2.00	2.43	2.86	3.30	3.73	4.16	4.60	5.03	5.46	5.90	6.33	6.76	7.20	7.63	8.06	8.50
	36	0.90	1.47	2.03	2.60	3.16	3.72	4.29	4.85	5.41	5.98	6.54	7.11	7.67	8.23	8.80	9.36	9.92	10.49	11.05
	42	1.11	1.81	2.50	3.20	3.89	4.58	5.28	5.97	6.67	7.36	8.05	8.75	9.44	10.14	10.83	11.52	12.22	12.91	13.61
	48	1.32	2.15	2.97	3.79	4.62	5.44	6.27	7.09	7.92	8.74	9.56	10.39	11.21	12.04	12.86	13.69	14.51	15.33	16.16
	54	1.60	2.60	3.60	4.59	5.59	6.59	7.59	8.59	9.58	10.58	11.58	12.58	13.58	14.57	15.57	16.57	17.57	18.57	19.56
	60	1.81	2.94	4.07	5.19	6.32	7.45	8.58	9.71	10.84	11.96	13.09	14.22	15.35	16.48	17.60	18.73	19.86	20.99	22.12
	66	2.02	3.28	4.54	5.79	7.05	8.31	9.57	10.83	12.09	13.34	14.60	15.86	17.11	18.38	19.64	20.89	22.15	23.41	24.67
	72	2.23	3.62	5.00	6.39	7.78	9.17	10.56	11.95	13.34	14.73	16.11	17.50	18.89	20.28	21.67	23.06	24.45	25.83	27.22
	78	2.44	3.96	5.47	6.99	8.51	10.03	11.55	13.07	14.59	16.11	17.63	19.14	20.66	22.18	23.70	25.22	26.74	28.26	29.78
	84	2.72	4.41	6.10	7.79	9.49	11.18	12.87	14.56	16.26	17.95	19.64	21.33	23.03	24.72	26.41	28.10	29.80	31.49	33.18
	90	2.92	4.75	6.57	8.39	10.32	12.04	13.86	15.68	17.51	19.33	21.15	22.98	24.80	26.62	28.44	30.27	32.09	33.91	35.74
	96	3.13	5.09	7.04	8.99	10.95	12.90	14.85	16.80	18.76	20.71	22.66	24.62	26.57	28.52	30.48	32.43	34.38	36.34	38.29
	102	3.34	5.43	7.51	9.59	11.68	13.76	15.84	17.93	20.01	22.09	24.18	26.26	28.34	30.43	32.51	34.59	36.68	38.76	40.84
	108	3.55	5.76	7.98	10.19	12.41	14.62	16.83	19.05	21.26	23.47	25.69	27.90	30.11	32.33	34.54	36.75	38.97	41.18	43.40
114	3.76	6.10	8.45	10.79	13.14	15.48	17.82	20.17	22.51	24.85	27.20	29.54	31.89	34.23	36.57	38.92	41.26	43.61	45.95	
120	4.04	6.56	9.07	11.59	14.11	16.63	19.14	21.66	24.18	26.70	29.21	31.73	34.25	36.77	39.28	41.80	44.32	46.84	49.35	
120	4.25	6.90	9.54	12.19	14.84	17.49	20.13	22.78	25.43	28.08	30.72	33.37	36.02	38.67	41.32	43.96	46.61	49.26	51.91	

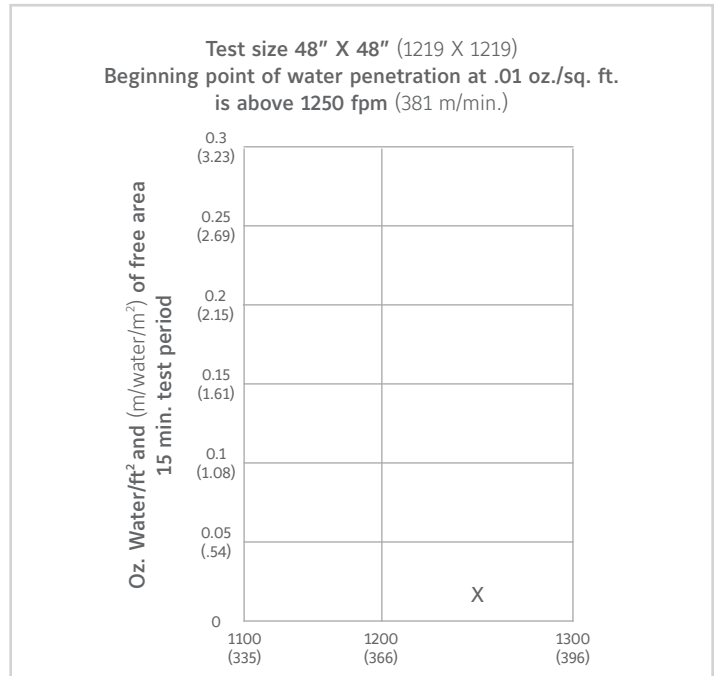
PRESSURE DROP



WATER PENETRATION GRAPH



Reliable Products certifies that the louver shown herein is licensed to bear the AMCA Seal. The ratings shown are based on tests and procedures performed in accordance with AMCA Publication 511 and comply with the requirements of the AMCA Certified Ratings Program. The AMCA Certified Ratings Seal applies to air performance ratings, water penetration ratings and wind driven rain ratings only.



WIND-DRIVEN RAIN PERFORMANCE

Test size is 1m x 1m (39" x 39") core area, 1.04m x 1.12m (41" x 44") nominal. Free Area of test louver is 5.45 ft² (.51m²).

Wind Velocity mph (kph)	Rain Fall Rate In./hr. (mm/hr.)	Core Velocity ₁ fpm (m/s)	Airflow cfm (m ³ /min)	Free Area Velocity ₂ fpm (m/sec.)	Effectiveness Ratio	Class _{3, 4}
29 (46.4)	3 (76)	586 (3.0)	6310 (179)	1158 (5.9)	99.0%	A
50 (80.0)	8 (203)	293 (1.5)	3152 (89)	3152 (89)	99.0%	A

NOTES:

1. Core area is the open area of the louver face (face area less louver frames). Core Velocity is the airflow velocity through the Core Area of the louver (1m x 1m).
2. Free Area of test size is calculated per AMCA standard 500-L.
3. Wind Driven Rain Penetration Classes:

Class	Effectiveness
A	1 to .99
B	0.989 to 0.95
C	0.949 to 0.80
D	Below 0.8

AMCA550 DAMPER OPTIONS

CONTROL DAMPER

4RAFBCD4 (Thin Line Control Damper)

(The 4RAFBCD4 combines the lowest leakage attainable-6cfm/sq.ft. at 4" w.g. with thin line, 4" overall depth when the damper is completely open.)

- Damper Frame and Blade Depth 4"
- Max Single Section 60"x 72"
- Opposed Blade
- Mill Finish
- Factory-Installed, pneumatic and electric actuators
- SP100 Switch Package
- Jack shafted or Extended Shaft option
- Concealed Linkage

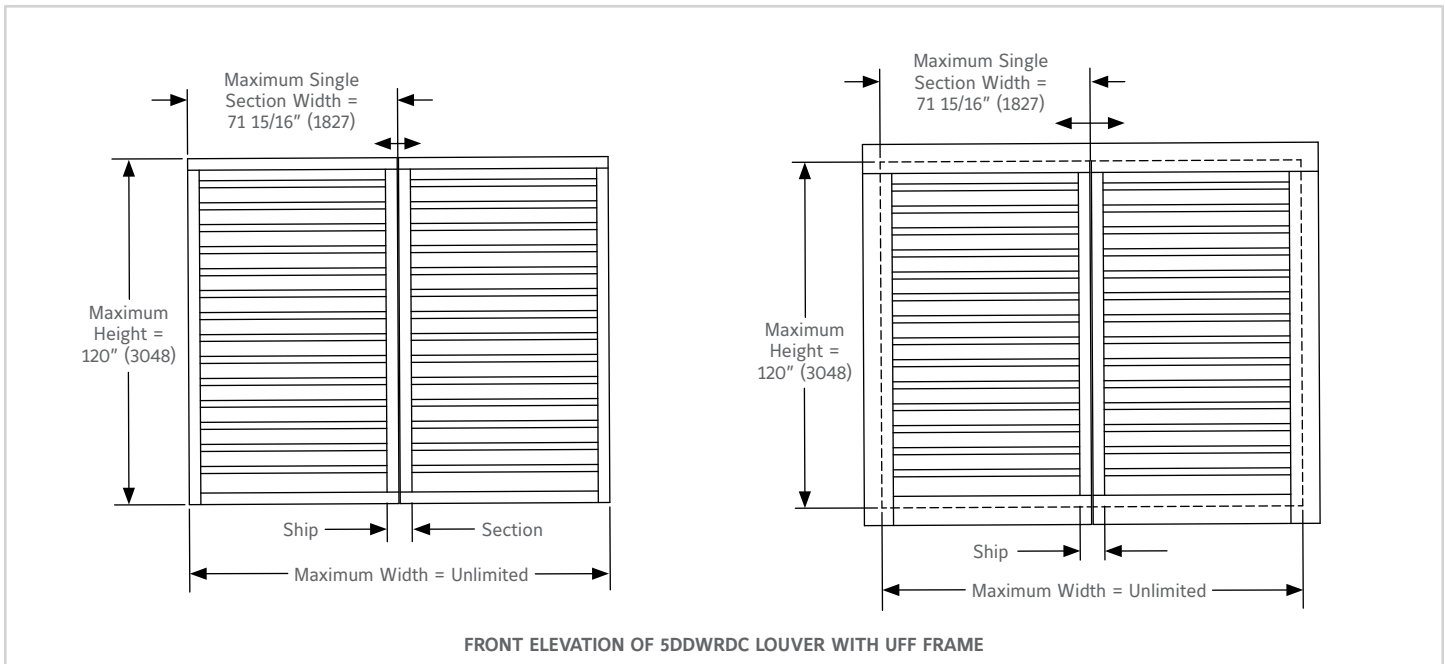
5RAFBCD6

(The 5RAFBCD6 is a low Leak, extruded aluminum damper designed with air

foil blades for higher velocities and pressure HVAC systems. It meets the leakage requirements of the International energy Conservation Code by leaking less than 3cfm.sq.ft. at 1" of static pressure and is AMCA licensed as a Class 1A damper)

- Air Leakage AMCA Class 1A
- Damper Frame Depth is 5" and Blade width is 6"
- Max Single Section 60"x 72"
- Opposed Blade
- Mill Finish
- Factory-Installed, pneumatic and electric actuators
- SP100 Switch Package
- Jack shafted or Extended Shaft option
- Concealed Linkage

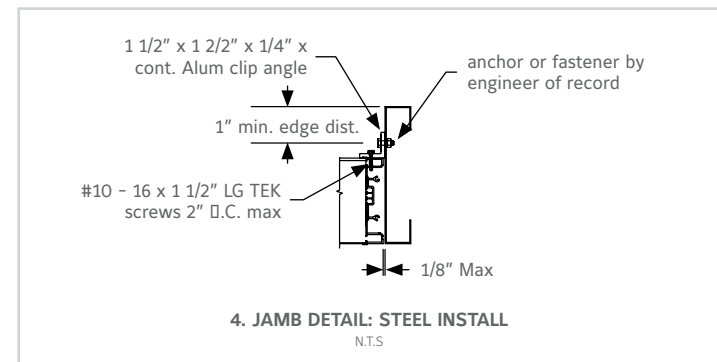
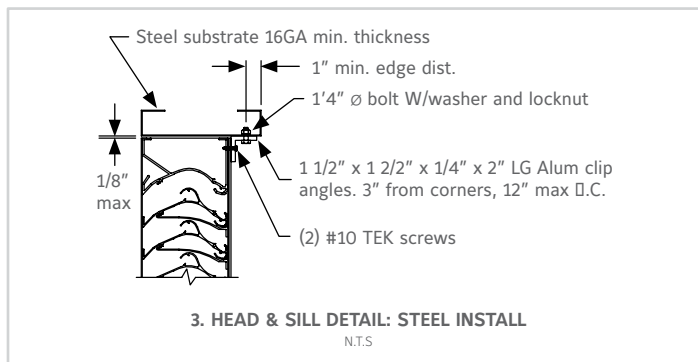
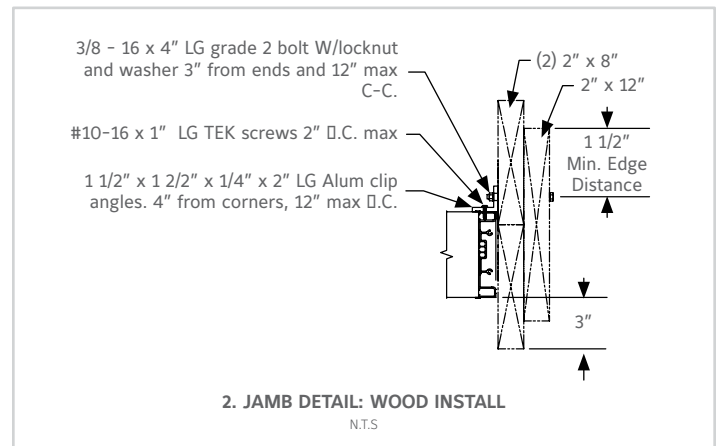
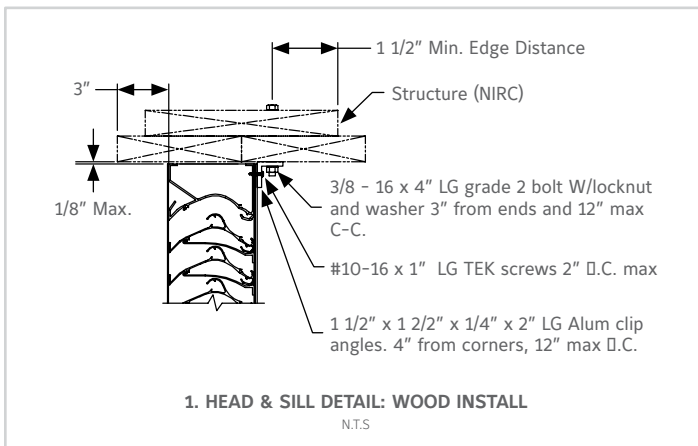
FRAME CONSTRUCTION ELEVATION



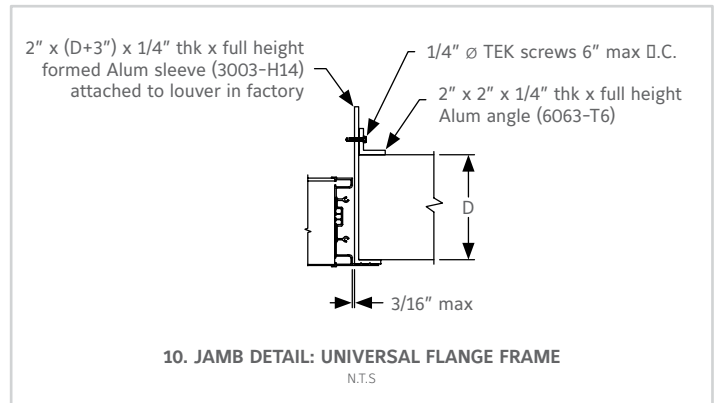
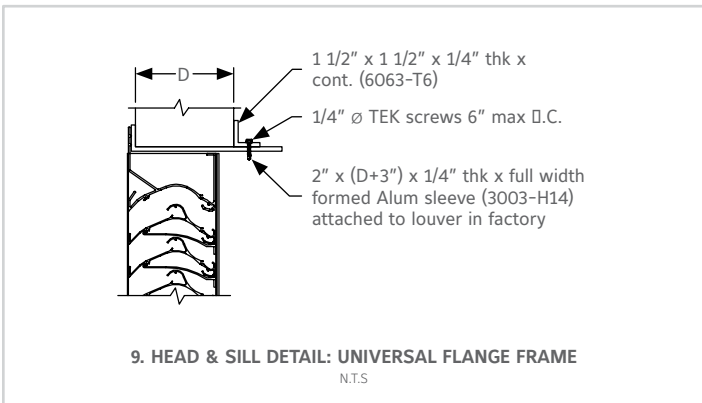
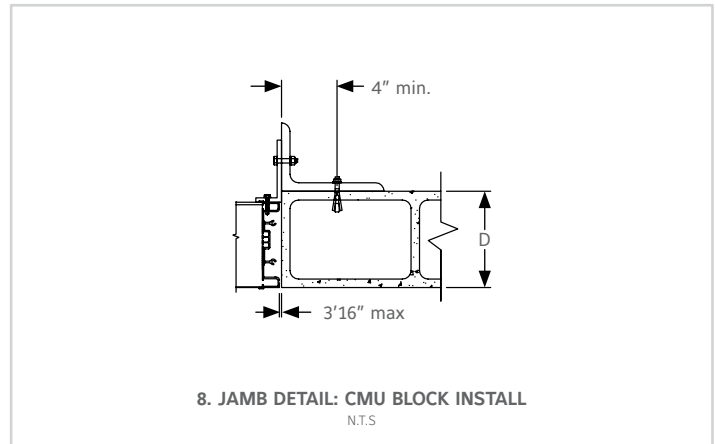
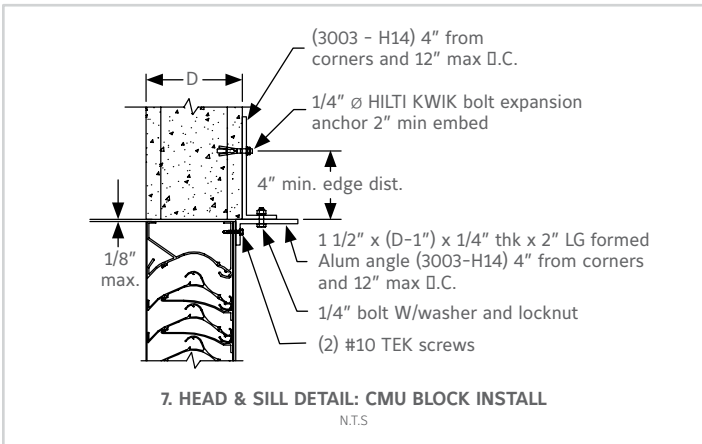
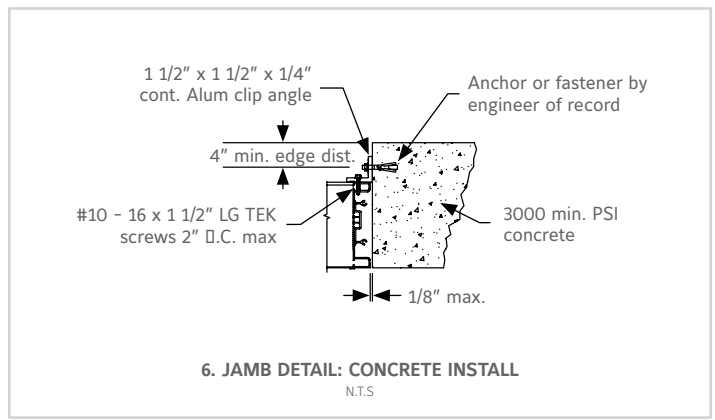
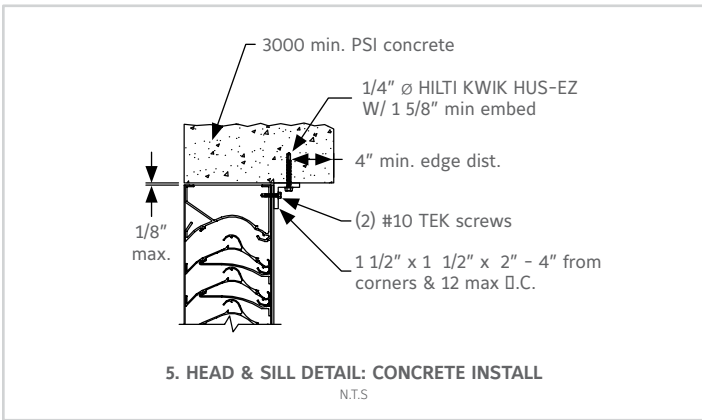
GENERAL NOTES:

1. Reference separate Installation Instruction Sheet for the proper installation method. Miami-Dade and Florida product approvals are contingent upon proper installation. It is the installing contractor's responsibility to ensure that the louvers are installed properly.
2. Some orders may require special submittal and/or shop drawings provided by Reliable. Reference these drawings for additional installation information.
3. Continuous angles and fasteners are supplied and are shipped loose.
4. Louvers are provided with steel channel supports to be installed behind the visible mullions.
5. Louvers wider than the maximum single section width will be shipped in multiple sections and will require field assembly.

FRAME CONSTRUCTION



FRAME CONSTRUCTION



SUGGESTED SPECIFICATION

Furnish and install louvers as hereinafter specified where shown on plans or as described in schedules. Louvers shall possess stationary horizontal blades designed to prevent the penetration of wind driven rain. Louver blades shall be contained within a 5" (127) frame. Extended sill shall be provided to capture and drain water to exterior of building. Louver components (heads, jambs, sill and blades) shall be factory assembled by the louver manufacturer. Louver sizes too large for shipping shall be built up by the contractor from factory assembled louver sections to provide overall sizes required. Louver design shall limit single span between visible mullions to 10' (3048).

Louvers shall be Reliable Model 5DDWRDC extruded 6063T6 aluminum alloy construction as follows:

Material

- Frame: .081" (2.1) wall thickness, caulking surfaces provided.
Blades: .060" (1.5) wall thickness.
Extended Sill: .081" (2.1) wall thickness, with upturned side panels to prevent water leakage.
Screen: 5/8" x .040" (16 x 1) expanded, flattened aluminum bird screen in removable frame.
Finish: Select finish specification from Reliable Finishes Brochure.

Structural Design

Integral structural supports shall be designed and furnished by the louver manufacturer to carry a wind load of not less than ±120 psf (5.74 kPa).

LINKS TO IMPORTANT DOCUMENTS

Document Title
Finishes and Color Guide
Limited Warranty Document



1300 Enterprise Road, P.O. Box
580, Geneva, Alabama 36340
Tel: 334-684-3621
Tel: 800-624-3914
Fax: 800-508-1469