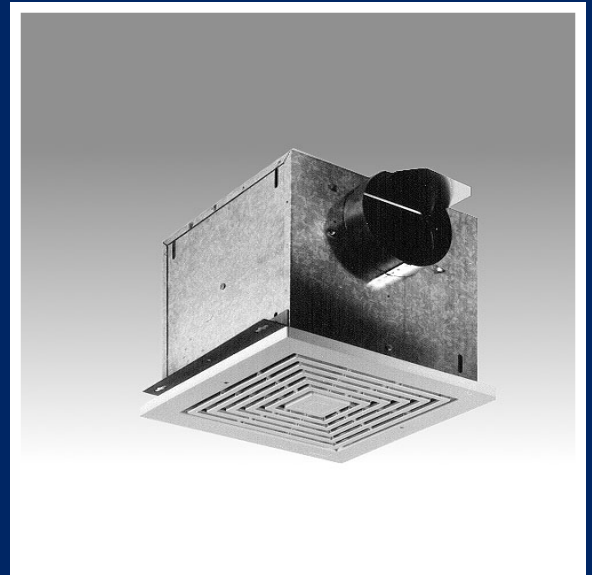
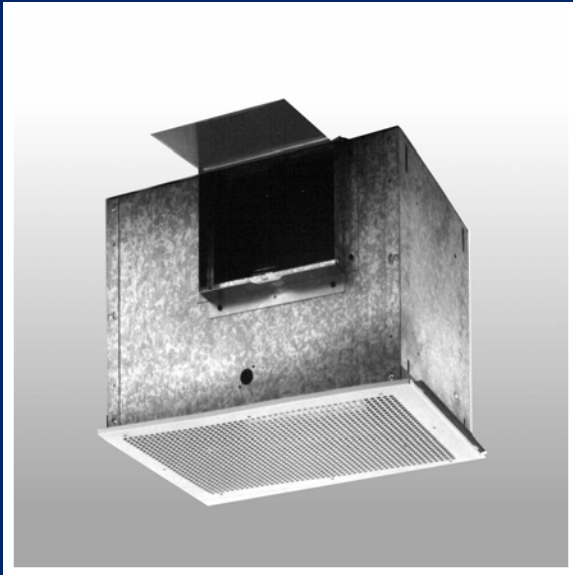
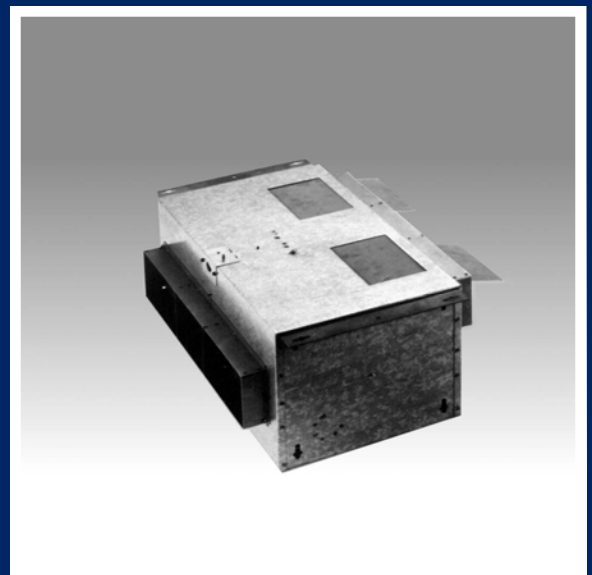
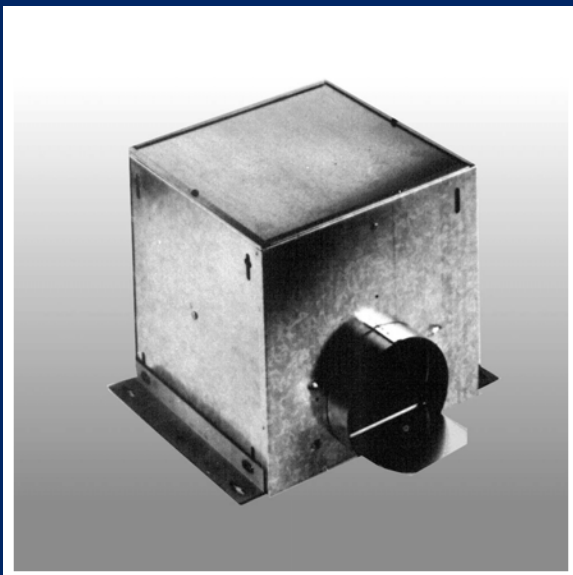


**AMERICAN COOLAIR CORPORATION
CENTRIFUGAL CEILING FANS**



**TYPE CF AND CFL
CEILING MOUNT - DIRECT DRIVE**



**TYPE IL
IN-LINE - DIRECT DRIVE**

Type IL In-Line Cabinet Ventilators

Quiet, high capacity

Coolair's® Cabinet Ventilators are perfect for large meeting rooms or institutional applications requiring up to 3850 CFM.

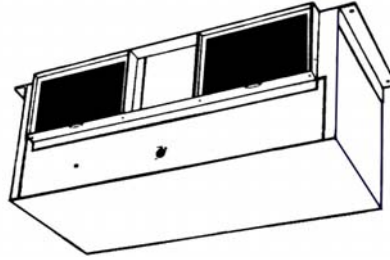
Our cabinet models are quiet-running, heavy duty, specification-grade ventilators. Permanently lubricated ball bearing motors are designed for continuous operation. Resilient motor mounts, acoustic insulation lining and our 20-gauge galvanized steel housing make them exceptionally quiet large air movers.

Cabinet Ventilators may be installed as either "straight thru" or "right angle" ventilators. Unique mounting brackets allow them to be installed quickly and easily in any of eight different positions.

Available Accessories:

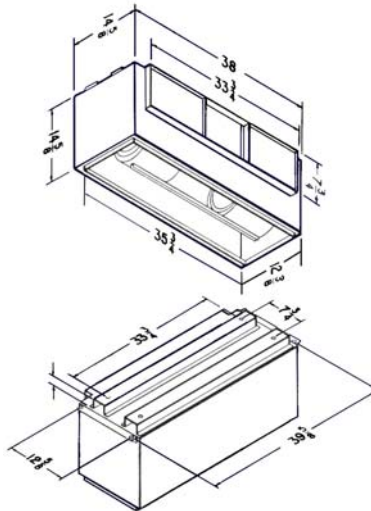
- Metal Grille Kits for ceiling applications
- Damper Kits with twin damper flaps prevent back drafts
- Vibration Damper Hangers (set of four required)

2000 CFM Cabinet Ventilator

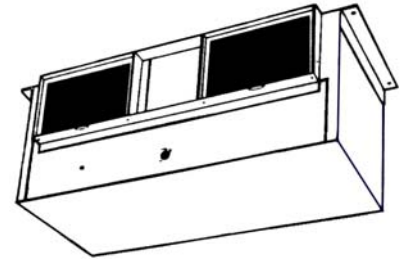


Model IL200

- 120 VAC
- Fits 7³/₄" x 33³/₄" duct
- Twin double-inlet blower wheels; 8" dia. x 7⁷/₈" deep
- Use Metal Grille Kit for ceiling applications
- Use Damper Kit for applications where unit will be ducted to outside-twin damper flaps prevent back drafts

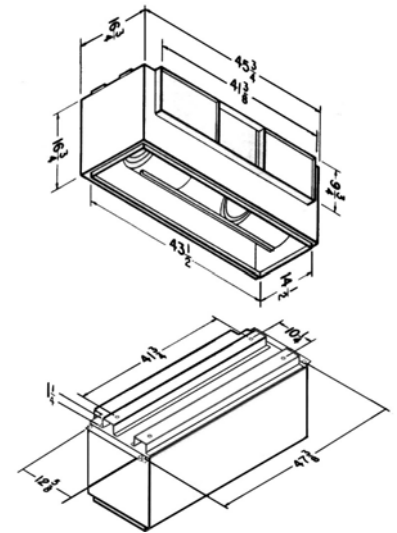


3500 CFM Cabinet Ventilator



Model IL350

- 240 VAC
- Fits 9³/₄" x 41³/₈" duct
- Twin double-inlet blower wheels; 9" dia. x 8³/₄" deep
- Use Metal Grille Kit for ceiling applications
- Use Damper Kit for applications where unit will be ducted to outside-twin damper flaps prevent back drafts



TYPE IL IN-LINE CABINET VENTILATORS

		CFM/SONES - AT STATIC PRESSURES (Ps - Inches of H ₂ O)													
MODEL NO.	NOMINAL VOLTAGE	0.0" Ps	.10" Ps	.125" Ps	.250" Ps	.375" Ps	.50" Ps	.625" Ps	.750" Ps	.875" Ps	1.0" Ps	NOMINAL RPM	AMPS @ 60 Hz	WATTS	
IL200	120 VAC	CFM St. Thr.	1891	1803	1791	1657	1508	1347	1165	808	284	965	5.8	590	
		SONES St. Thr.	10.3	9.8	9.4	9.0	8.6	9.1	8.9	7.0	6.7				
		CFM Rt. Ang.	2070	1931	1898	1769	1609	1424	1314	795	288				
		SONES Rt. Ang.	11.1	10.3	10.1	9.7	9.4	9.2	8.5	7.0	6.7				
IL350	240 VAC	CFM St. Thr.	3605	3498	3452	3278	3073	2893	2679	2429	2093	1693	1105	5.4	1204
		SONES St. Thr.	15.3	14.8	14.5	14.1	13.1	12.8	12.1	11.8	11.9	10.8			
		CFM Rt. Ang.	3868	3714	3696	3537	3356	3168	2951	2671	2384	2005			
		SONES Rt. Ang.	14.6	14.2	14.2	13.3	12.8	12.5	11.6	11.4	11.4	13.4			

Performance ratings do not include the effects of appurtenances (accessories). Speed (RPM) shown is nominal. Performance is based on actual speed of test. The sound ratings shown are loudness values in fan sones at 1.5 m (5 ft) in a hemispherical free field calculated per AMCA Standard 301. Values shown are for installation Type D: Ducted inlet, hemispherical sone levels. Ratings do not include the effect of duct end correction. Performance shown is for installation Type D: Ducted inlet, Ducted outlet.

Type CFL Ceiling Ventilators

The industry's best value
in super-quiet specification
grade ventilators.

Coolair's® Ceiling Mount Ventilators are designed to give quality conscious architects, design engineers, builders and specifiers the ultimate in heavy duty, quiet ventilation.

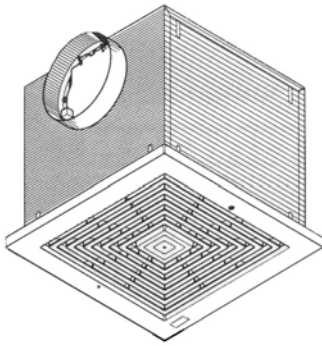
Available from 100 to 3500 CFM, all units use centrifugal blower wheels and low RPM motors on resilient mounts. Most have acoustic insulation inside a rugged, heavy duty housing for further sound reduction.

Perfect for offices, conference rooms, bathrooms, hospital rooms...anywhere quiet high-capacity ventilation is needed.

Their features include:

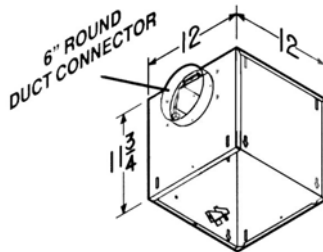
- Low RPM motors mounted on resilient mounts for quiet, vibration-free operation
- Motors designed for continuous operation-permanently lubricated
- Acoustic insulation inside rugged, heavy gauge galvanized steel housings
- May be installed in ceiling or wall (size permitting)
- Balanced blower wheels for extremely low sound levels
- Attractive, low profile grilles
- May be ducted horizontally, vertically or as an in-line blower

100 - 150 CFM Ceiling Mount Ventilators

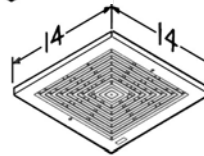


Models CFL10 & CFL15

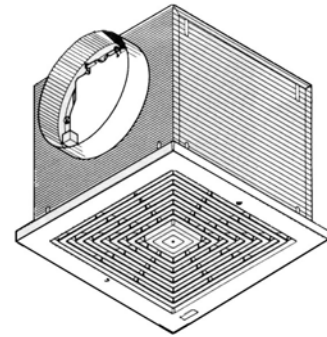
- 120 VAC
- 6" round duct connector
- Low profile white polymeric grille
- Single, impact resistant centrifugal blower wheel



Polymeric
Grille

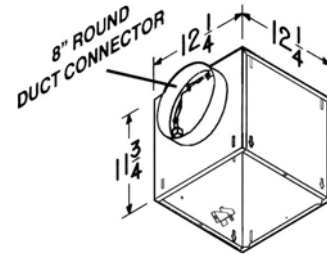


200 - 250 - 300 CFM Ceiling Mount Ventilators

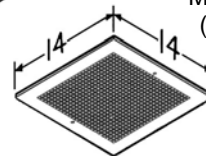


Models CFL20, CFL25 & CFL30

- 120 VAC
- 8" round duct connector
- Low profile white polymeric grille
- Single, impact resistant centrifugal blower wheel



Metal Grille
(optional)

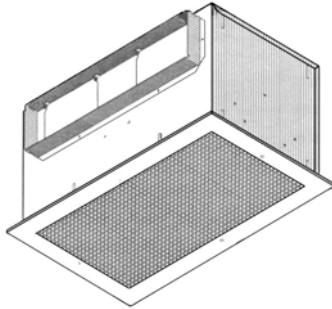


TYPE CFL CEILING VENTILATORS

CFM/SONES - AT STATIC PRESSURES (Ps - Inches of H ₂ O)														
MODEL NO.		0.0" Ps	.10" Ps	.125" Ps	.250" Ps	.375" Ps	.50" Ps	.625" Ps	.750" Ps	.875" Ps	1.0" Ps	NOMINAL RPM	AMPS @ 60 Hz	WATTS
CFL10	CFM Hor.	136	115	109	93	80	65	44	12			640	1.1	87
	SONES Hor.	0.5	0.8	0.9	1.3	1.8	2.3	3.0	3.2					
	CFM Ver.	138	117	112	94	80	67	46	13			650		
	SONES Ver.	0.7	0.9	1.0	1.3	1.8	2.2	2.8	3.0					
CFL15	CFM Hor.	181	161	157	141	132	124	114	94	62		710	1.3	100
	SONES Hor.	1.3	1.4	1.5	2.2	2.6	3.1	3.6	4.1	4.6				
	CFM Ver.	179	163	160	149	142	133	122	105	73	23	750		
	SONES Ver.	1.4	1.6	1.6	2.0	2.5	3.0	3.3	3.6	3.9	4.2			
CFL20	CFM Hor.	231	214	210	196	186	177	165	144	113	51	740	1.8	127
	SONES Hor.	1.6	1.8	1.7	2.3	2.9	3.5	4.1	4.9	5.3	5.3			
	CFM Ver.	224	210	207	197	187	179	167	144	99	41	760		
	SONES Ver.	1.5	1.8	2.0	2.3	2.7	3.4	4.0	4.5	5.1	5.2			
CFL25	CFM Hor.	272	261	259	250	242	233	218	201	165	99	830	2.1	166
	SONES Hor.	2.1	2.3	2.2	2.9	3.3	3.9	4.4	4.8	5.5	5.8			
	CFM Ver.	269	261	259	253	248	239	224	203	171	101	860		
	SONES Ver.	2.3	2.6	2.7	3.0	3.3	3.7	4.2	4.7	5.4	5.6			
CFL30	CFM Hor.	312	309	308	303	296	287	273	254	219	125	905	2.6	212
	SONES Hor.	2.8	2.9	2.9	3.3	3.5	3.9	4.3	4.7	5.1	5.6			
	CFM Ver.	319	314	313	306	299	288	274	251	219	120	940		
	SONES Ver.	2.6	2.9	3.0	3.4	3.6	3.9	4.4	4.7	5.0	5.5			

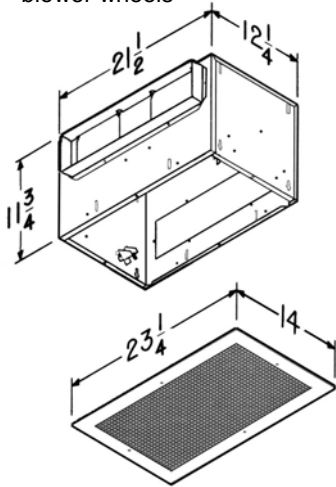
Performance ratings include the effects of inlet grille and back draft damper. Speed (RPM) shown is nominal. Performance is based on actual speed of test. The sound ratings shown are loudness values in fan sones at 1.5 m (5 ft) in a hemispherical free field calculated per AMCA Standard 301. Values shown are for Installation Type B: Free inlet hemispherical sone levels. Performance shown is for Installation Type B: Free inlet, Ducted outlet.

400 - 500 - 700 CFM
Ceiling Mount Ventilators

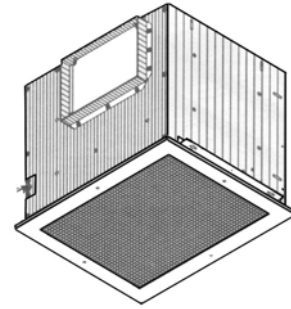


Models CFL40, CFL 50 & CFL70

- 120 VAC
- 4¹/₂" x 18¹/₂" duct connector
- Sturdy, low profile metal grille finished with painted white enamel
- Two impact resistant centrifugal blower wheels

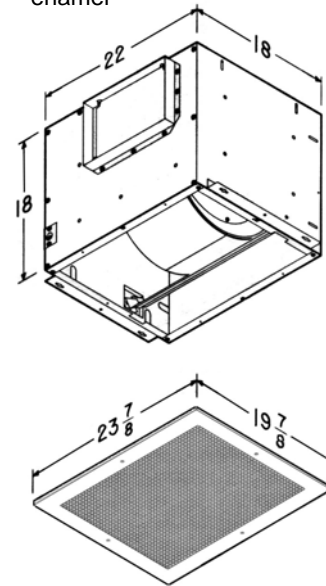


900 - 1500 CFM
Ceiling Mount Ventilators



Models CFL90 & CFL150

- 120 VAC
- 8" x 12" duct connector
- Sturdy, low profile metal grille finished with painted white enamel



TYPE CFL CEILING VENTILATORS

CFM/SONES - AT STATIC PRESSURES (Ps - Inches of H ₂ O)														
MODEL NO.		0.0" Ps	.10" Ps	.125" Ps	.250" Ps	.375" Ps	.50" Ps	.625" Ps	.750" Ps	.875" Ps	1.0" Ps	NOMINAL RPM	AMPS @ 60 Hz	WATTS
CFL40	CFM Hor.	480	442	434	388	344	299	229	182	114	33	735	1.4	146
	SONES Hor.	2.0	2.4	2.3	2.8	3.3	3.8	4.5	4.8	5.4	5.6			
	CFM Ver.	467	428	416	378	335	291	237	170	85	8	755		
	SONES Ver.	2.3	2.6	2.6	3.0	3.5	4.0	5.1	5.5	5.7	5.9			
CFL50	CFM Hor.	538	520	514	491	463	434	389	339	282	186	810	2.2	232
	SONES Hor.	3.0	3.1	3.3	3.6	4.0	4.4	5.0	5.7	6.2	6.7			
	CFM Ver.	539	517	512	481	451	418	367	319	247	137	865		
	SONES Ver.	2.9	3.1	3.2	3.4	3.8	4.2	4.8	5.9	6.3	6.4			
CFL70	CFM Hor.	722	704	701	667	640	607	571	534	453	333	960	2.9	313
	SONES Hor.	4.5	4.6	4.7	4.8	5.0	5.2	5.6	6.2	7.1	7.2			
	CFM Ver.	708	691	687	658	628	597	560	515	444	312	985		
	SONES Ver.	5.2	5.0	5.0	5.7	5.8	6.1	6.4	7.4	7.1	7.6			
CFL90	CFM Hor.	918	905	901	877	842	793	725	636	536	390	650	3.0	306
	SONES Hor.	3.8	4.0	4.1	4.0	4.2	4.3	4.4	4.9	4.6	5.3			
	CFM Ver.	909	892	885	850	807	756	695	568	440	282	650		
	SONES Ver.	3.8	3.4	3.4	3.5	3.6	3.7	3.9	4.2	4.3	4.4			
CFL150	CFM Hor.	1578	1526	1513	1438	1371	1285	1198	1103	1000	816	955	5.0	468
	SONES Hor.	8.6	8.4	8.4	8.1	7.5	7.0	6.7	6.2	5.8	5.8			
	CFM Ver.	1590	1519	1502	1423	1340	1259	1176	1069	954	689	955		
	SONES Ver.	8.5	8.4	8.4	8.1	7.9	7.5	7.2	7.1	6.9	6.5			

Performance ratings include the effects of inlet grille and back draft damper. Speed (RPM) shown is nominal. Performance is based on actual speed of test. The sound ratings shown are loudness values in fan sones at 1.5 m (5 ft) in a hemispherical free field calculated per AMCA Standard 301. Values shown are for Installation Type B: Free inlet hemispherical sone levels. Performance shown is for Installation Type B: Free inlet, Ducted outlet.

Type IL In-Line Ventilators

The industry's best value in super-quiet specification grade ventilators.

Coolair's® In-Line Ventilators are designed to give quality conscious architects, design engineers, builders and specifiers the ultimate in heavy duty, quiet ventilation.

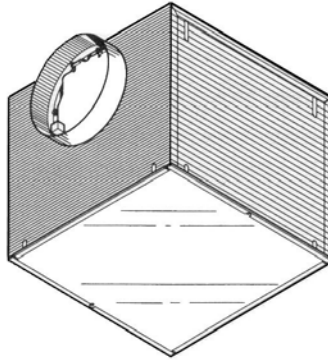
Available from 100 to 3500 CFM, all units use centrifugal blower wheels and low RPM motors on resilient mounts.

Perfect for offices, conference rooms, bathrooms, hospital rooms...anywhere quiet, high-capacity ventilation is needed.

Their features include:

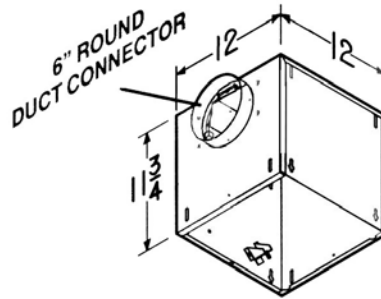
- Low RPM motors mounted on resilient mounts for quiet, vibration-free operation
- Motors designed for continuous operation-permanently lubricated
- May be installed in ceiling or wall (size permitting)
- Balanced blower wheels for extremely low sound levels
- Quiet built-in back draft dampers

100 - 150 CFM In-Line Ventilators

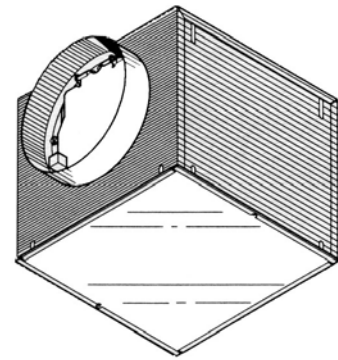


Models IL10 & IL15

- 120 VAC
- Two 6" round duct connectors
- Removable access panel
- Single, impact resistant centrifugal blower wheel
- Suitable for kitchen installation - no insulation inside housing

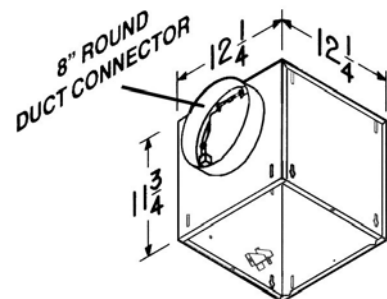


200 - 250 - 300 CFM In-Line Ventilators



Models IL20, IL25 & IL30

- 120 VAC
- Two 8" round duct connectors
- Removable access panel
- Single, impact resistant centrifugal blower wheel
- Suitable for kitchen installation - no insulation inside housing

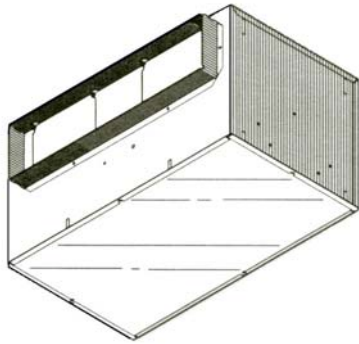


TYPE IL IN-LINE VENTILATORS

		CFM/SONES - AT STATIC PRESSURES (Ps - Inches of H ₂ O)													
MODEL NO.	NOMINAL VOLTAGE		0.0" Ps	.10" Ps	.125" Ps	.250" Ps	.375" Ps	.50" Ps	.625" Ps	.750" Ps	.875" Ps	1.0" Ps	NOMINAL RPM	AMPS @ 60 Hz	WATTS
IL10	120 VAC	CFM St. Thr.	121	108	106	97	93	86	70	44	17		760	1.1	87
		SONES St. Thr.	0.5	0.7	0.7	1.1	1.4	1.8	2.1	2.4	2.6				
IL15	120 VAC	CFM St. Thr.	153	148	147	140	134	125	111	91	54	18	920	1.3	100
		SONES St. Thr.	0.9	1.0	1.1	1.4	1.6	1.9	2.1	2.2	2.4	2.6			
IL20	120 VAC	CFM St. Thr.	205	196	195	190	185	175	158	135	96	47	865	1.8	127
		SONES St. Thr.	1.7	1.9	1.9	2.1	2.3	2.4	3.0	3.3	3.4	3.4			
IL25	120 VAC	CFM St. Thr.	248	245	245	241	235	224	208	183	141	84	1005	2.1	166
		SONES St. Thr.	2.0	2.3	2.3	2.6	2.8	3.2	3.4	3.6	3.9	3.8			
IL30	120 VAC	CFM St. Thr.	300	294	293	285	274	259	243	214	168	113	1145	2.6	212
		SONES St. Thr.	2.9	3.0	3.1	3.3	3.4	3.5	3.6	3.7	4.0	3.9			
		CFM Rt. Ang.	270	261	259	248	234	220	200	174	146	104	1285	2.6	212
		SONES Rt. Ang.	3.7	3.7	3.7	3.7	3.9	3.9	4.0	4.2	4.4	4.0			

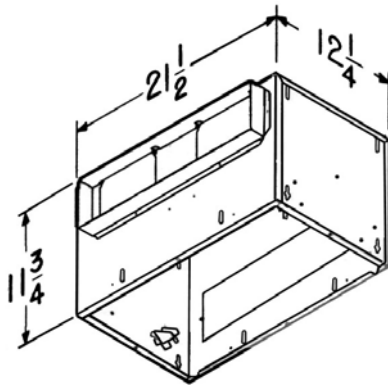
Performance ratings include the effects of back draft damper. Speed (RPM) shown is nominal. Performance is based on actual speed of test. The sound ratings shown are loudness values in fan sones at 1.5 m (5 ft) in a hemispherical free field calculated per AMCA Standard 301. Values shown are for installation Type D: Ducted inlet, hemispherical sone levels. Ratings do not include the effect of duct end correction. Performance ratings include the effects of 18 feet of round inlet duct and, if needed, a rectangular to round duct transition in the airstream. Performance shown is for Installation Type D: Ducted inlet, Ducted outlet.

400 - 500 - 700 CFM
In-Line Ventilators

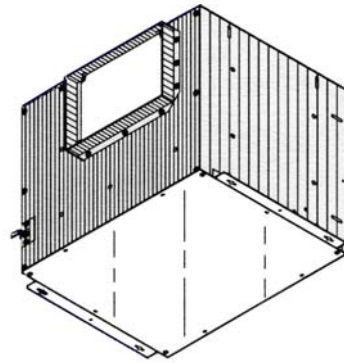


Models IL40, IL50 & IL70

- 120 VAC
- Two 4¹/₂" x 18¹/₂" duct connectors
- Removable access panel
- Two impact-resistant centrifugal blower wheels

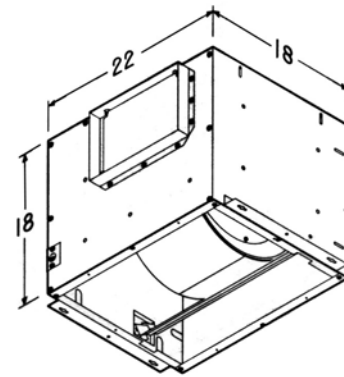


900 - 1500 CFM
In-Line Ventilators



Models IL90 & IL150

- 120 VAC
- Two 8" x 12" duct connectors
- Removable access panel
- Two impact-resistant centrifugal blower wheels



TYPE IL IN-LINE VENTILATORS

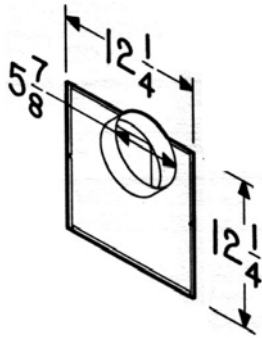
MODEL NO.	NOMINAL VOLTAGE		CFM/SONES - AT STATIC PRESSURES (Ps - Inches of H ₂ O)										NOMINAL RPM	AMPS @ 60 Hz	WATTS
			0.0" Ps	.10" Ps	.125" Ps	.250" Ps	.375" Ps	.50" Ps	.625" Ps	.750" Ps	.875" Ps	1.0" Ps			
IL40	120 VAC	CFM St. Thr.	450	415	406	360	313	271	223	167	90	6	775	1.4	146
		SONES St. Thr.	1.4	1.6	1.6	1.9	2.2	2.6	2.9	3.4	3.6	3.9			
IL50	120 VAC	CFM Rt. Ang.	442	415	408	372	336	296	239	193	111	28	875	1.4	146
		SONES Rt. Ang.	1.6	1.7	1.7	2.0	2.4	2.6	3.1	3.4	3.9	4.1			
IL70	120 VAC	CFM St. Thr.	546	526	519	496	472	447	407	364	306	232	890	2.2	232
		SONES St. Thr.	2.4	2.4	3.4	3.7	3.9	3.8	3.9	4.0	4.3	4.3			
IL90	120 VAC	CFM Rt. Ang.	528	516	513	494	470	446	415	389	334	247	990	2.2	232
		SONES Rt. Ang.	2.9	3.8	3.4	3.7	3.5	3.6	3.9	4.0	4.2	4.4			
IL150	120 VAC	CFM St. Thr.	704	686	681	656	631	604	575	533	480	412	1090	2.9	313
		SONES St. Thr.	3.6	3.8	3.7	3.9	4.0	4.2	4.3	4.4	4.7	5.0			
IL90	120 VAC	CFM Rt. Ang.	680	667	663	644	621	594	557	513	440	342	1205	2.9	313
		SONES Rt. Ang.	5.0	5.0	5.0	5.3	5.2	5.1	5.3	5.5	5.4	5.5			
IL90	120 VAC	CFM St. Thr.	930	902	894	853	807	754	685	587	442	300	810	3.0	306
		SONES St. Thr.	3.7	3.8	3.8	3.8	3.7	3.8	3.9	4.0	4.0	4.1			
IL150	120 VAC	CFM Rt. Ang.	795	778	772	743	709	668	613	527	432	291	755	3.0	306
		SONES Rt. Ang.	4.3	4.5	4.4	4.6	4.4	4.2	4.1	4.3	4.2	4.3			
IL150	120 VAC	CFM St. Thr.	1275	1228	1214	1152	1092	1029	958	871	764	631	1055	5.0	468
		SONES St. Thr.	6.8	6.8	6.7	6.5	6.3	6.0	6.0	6.0	6.0	6.1			
IL150	120 VAC	CFM Rt. Ang.	1160	1117	1106	1051	998	928	856	769	657	499	1020	5.0	468
		SONES Rt. Ang.	7.9	7.8	7.9	7.4	7.1	6.8	6.3	5.9	5.4	5.4			

Performance ratings include the effects of back draft damper. Speed (RPM) shown is nominal. Performance is based on actual speed of test. The sound ratings shown are loudness values in fan sones at 1.5 m (5 ft) in a hemispherical free field calculated per AMCA Standard 301. Values shown are for installation Type D: Ducted inlet, hemispherical sone levels. Ratings do not include the effect of duct end correction. Performance ratings include the effects of 18 feet of round inlet duct and, if needed, a rectangular to round duct transition in the airstream. Performance shown is for installation Type D: Ducted inlet, Ducted outlet.

ACCESSORIES APPLICATION CHART

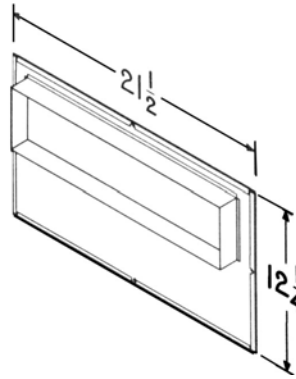
MODEL NO.	CEILING MOUNT MODELS							IN-LINE MODELS						
	CF670 CF800	CFL10 CFL15	CFL20 CFL25 CFL30	CFL40 CFL50	CFL70	CFL90	CFL150	IL10L IL15L	IL20L IL25L IL30L	IL40L IL50L IL70L	IL90L	IL150L	IL200L	IL350L
WALL MOUNTED CONTROLS														
CF/ILSC57W	X	X	X	X	X			X	X	X				
CF/ILSC59W	X	X	X	X	X	X	X	X	X	X	X	X		
CF/ILSC61W	X	X	X	X	X	X	X	X	X	X	X	X		
CF/ILSC72W	X	X	X	X	X	X	X	X	X	X	X	X	X	
CF/ILSC75V														X
ROOF CAPS														
CF/RC634M		X						X						
CF/RC634P		X	X					X	X					
CF/RC636P	X													
CF/RC644		X	X					X	X		X			
CF/RC437				X	X					X				
FLAT ROOF CAPS														
CF/FRC611		X	X					X	X					
CF/FRC611CM		X	X					X	X					
CF/FRC612		X	X	X	X	X	X	X	X	X	X	X		
CF/FRC612CM		X	X	X	X	X	X	X	X	X	X	X		
WALL CAPS														
CF/WC641		X						X						
CF/WC642	X													
CF/WC643			X						X					
CF/WC441				X	X					X				
CF/WC613						X	X				X	X		
IN-LINE ADAPTERS														
CF/A961L		X												
CF/A981L			X											
CF/A982L				X	X									
CF/A983L						X	X							
RADIATION DAMPERS														
CF/RD1		X	X											
CF/RD2				X	X									
CF/RD3						X	X							
METAL GRILL KIT														
MG1		X	X											
G102													X	
G103														X
DUCT TRANSITIONS														
CF/TRN423				X	X					X				
CF/TRN81212						X	X				X	X		
DAMPER KIT														
CF/D100													X	
CF/D101														X
VIBRATION DAMPENING ISOLATORS														
CF/V104													X	X

Accessories for Ceiling Mount and In-Line Ventilators



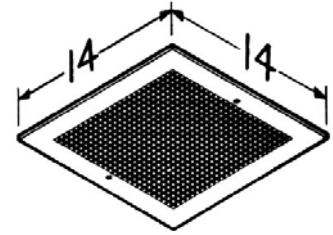
Model 961CFL In-Line Adapter Kit

- Galvanized steel
- Fits CFL10 & CFL15; 6" round duct intake
- Mounting hardware included



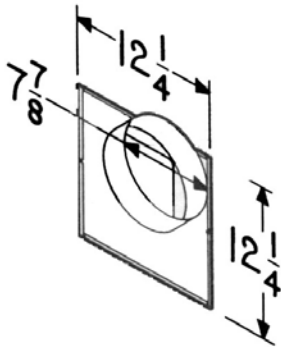
Model 982CFL In-Line Adapter Kit

- Galvanized steel
- Fits CFL40, CFL50 & CFL70; 4 1/2" x 18 1/2" duct intake
- Mounting hardware included



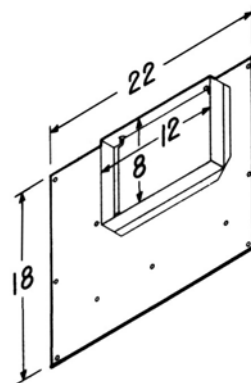
Model MG1 Metal Grille Kit

- Steel, painted white enamel
- Mounting screws included
- Fits CFL10-CFL30



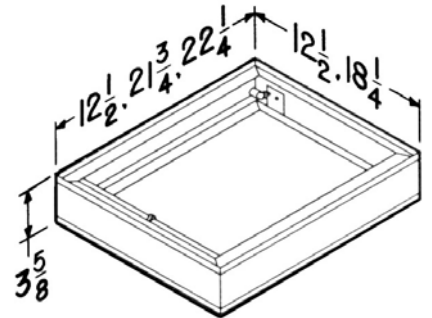
Model 981CFL In-Line Adapter Kit

- Galvanized steel
- Fits CFL20, CFL25 & CFL30; 8" round duct intake
- Mounting hardware included



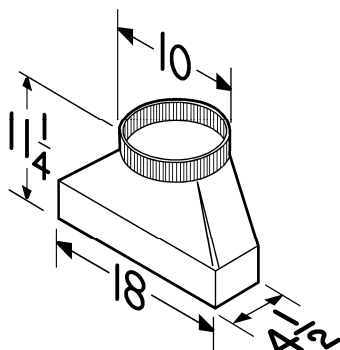
Model 983CFL In-Line Adapter Kit

- Galvanized steel
- Fits CFL90 & CFL150; 8" x 12" duct intake
- Mounting hardware included



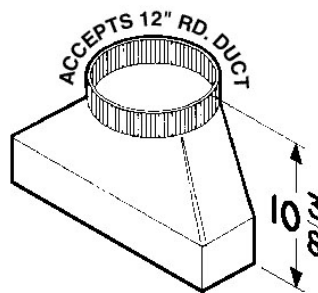
Model RD1, RD2 & RD3 Radiation Dampers

- UL Listed-classified for use in 1, 2 or 3 hour fire-rated ceilings
- Galvanized steel frame
- High temperature, non-asbestos, reinforced fiber thermal fabric
- 212° fusible link
- Stainless steel negator-type closure spring
- RD1 (12 1/2" x 12 1/2") fits CFL10-CFL30
- RD2 (21 3/4" x 12 1/2") fits CFL40-CFL70
- RD3 (22 1/4" x 18 1/4") fits CFL90 & CFL150



Model T423 Duct Transition

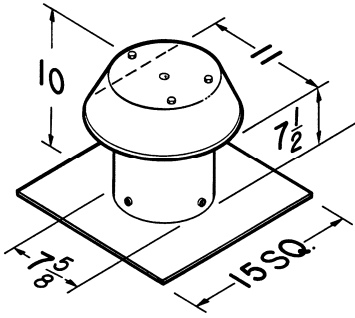
- Fits CFL/IL 40 - CFL/IL 70



Model T81212 Duct Transition

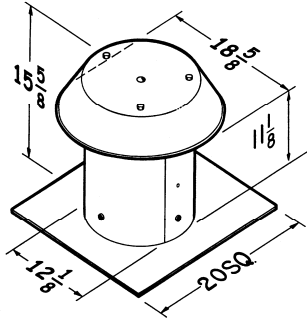
- Fits CFL/IL 90 & CFL/IL 150

Accessories for Ceiling Mount and In-Line Ventilators (cont.)



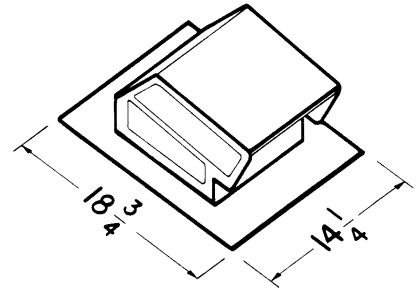
Model 611 Roof Cap

- For flat roof installation
- Aluminum finish
- For up to 8" round duct
- Fits CFL/IL 10, 15, 20, 25 & 30



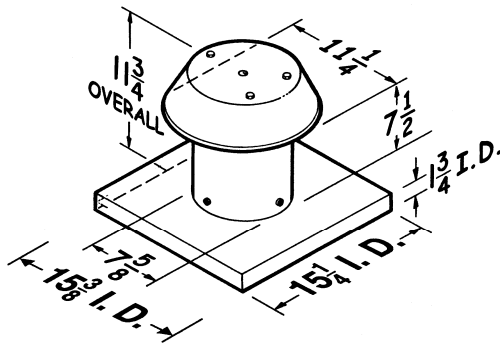
Model 612 Roof Cap

- For flat roof installation
- Aluminum finish
- For up to 12" round duct
- Fits CFL/IL through 150



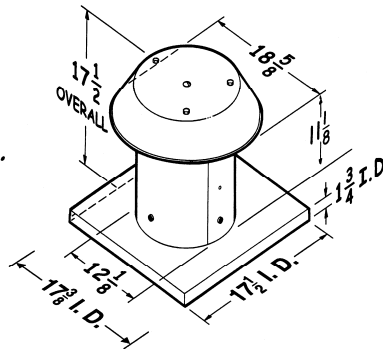
Model 634 Roof Cap

- For up to 3¹/₄" x 10" or up to 8" round duct
- Built-in backdraft damper
- Steel housing, black finish
- Fits CFL/IL 10, 15, 20, 25 & 30



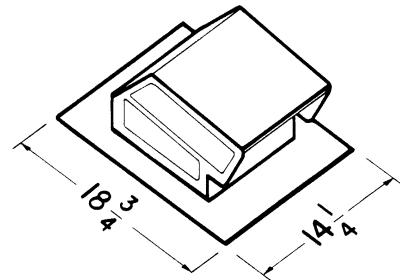
Model 611CM Roof Cap

- Same as Model 611 except for curb mount
- Fits CFL/IL 10, 15, 20, 25 & 30



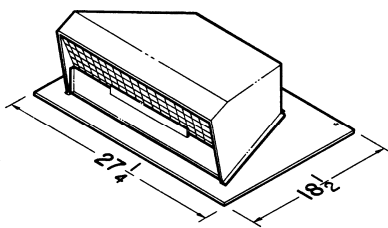
Model 612CM Roof Cap

- Same as Model 612 except for curb mount
- Fits CFL/IL through 150



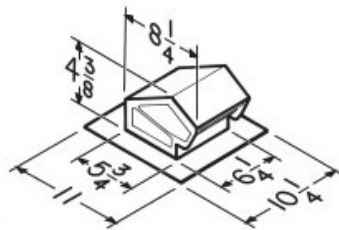
Model 634M Roof Cap

- Same as Model 634 except for 6" round duct
- Fits CFL/IL 10 & 15



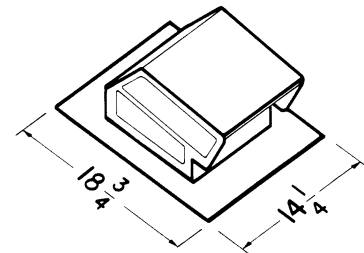
Model 437 Roof Cap

- High capacity design-up to 1200 cfm
- Built-in birdscreen
- Steel housing, black finish
- Fits CFL/IL 40, 50 & 70



Model 636P Roof Cap

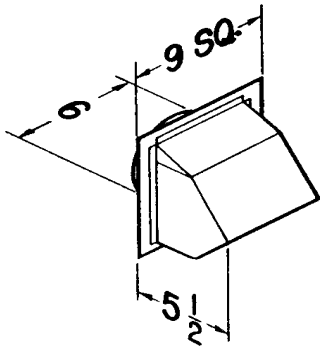
- 24 GA. CRCQ steel, black electrically-bonded epoxy finish
- Built-in backdraft damper and bird screen
- For 3" or 4" round duct
- Fits CF 670 & 800



Model 644 Roof Cap

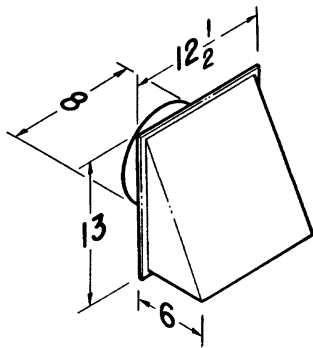
- Same as Model 634 except aluminum finish
- Fits CFL/IL 10, 15, 20, 25 & 30

Accessories for Ceiling Mount and In-Line Ventilators (cont.)



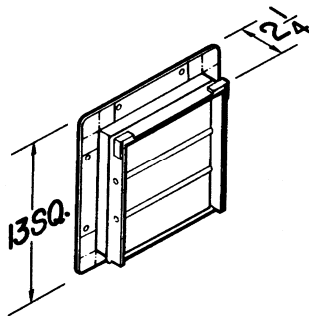
Model 641 Wall Cap

- Same as Model 611 except for 6" round duct
- Fits CFL/IL 10 & 15



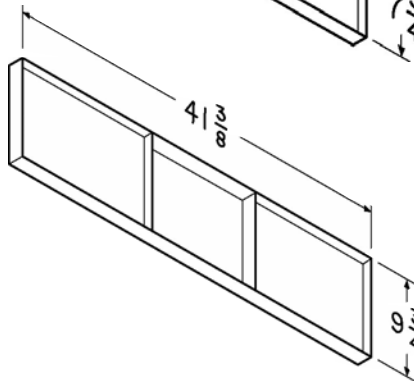
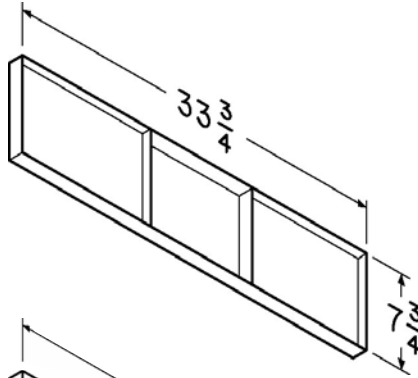
Model 643 Wall Cap

- Same as Model 613 except for 8" round duct
- Fits CFL/IL 20, 25 & 30



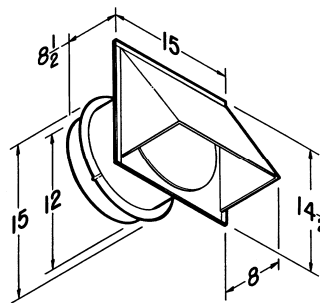
Model 441 Wall Cap

- For 10" round duct
- Steel with aluminum louvers
- Fits CFL/IL 40, 50 & 70



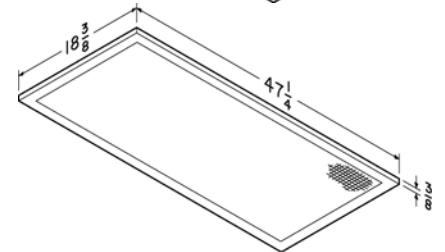
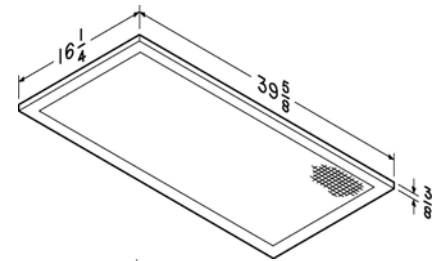
Model D100/D101 Damper Kits

- Twin damper flaps with mounting hardware
- Foam cushion and magnetic catch assures quiet and effective back draft prevention
- D100 fits IL 200
- D101 fits IL 350



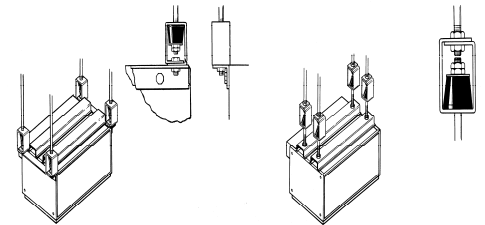
Model 613 Wall Cap

- For 12" round duct
- Built-in back draft damper
- Aluminum finish
- Fits CFL/IL 90 & 150



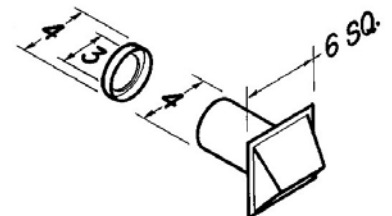
Model G102/G103 Metal Intake Grille

- Steel painted white metal grille
- Mounting hardware included
- G102 fits IL 200; G103 fits IL 350



Model V104 Dampening Hangers

- Heavy gauge steel with vibration dampening cushion
- Maximum load 75lbs/ea.
- For 3/8" threaded rod (by others)
- Four required for each ventilator
- Fits IL 200 & 350



Model 642 Wall Cap

- Built-in back draft damper
- Aluminum finish
- Fits CF 670 & 800



American Coolair Corporation, ILG Industries certifies that the models shown herein are licensed to bear the AMCA Seal. The ratings shown are based on tests and procedures performed in accordance with AMCA Publication 211 and AMCA Publication 311 and comply with the requirements of the AMCA Certified Ratings Program.

To convert air performance (CFM and SP) and power (BHP) to metric units, multiply CFM x .000472 to obtain cubic meters per second (m³/s). Multiply SP x 248.36 to obtain pascals (Pa). Multiply BHP x .7457 to obtain kilowatts (kW).

Example: 3904 CFM x .000472 = 1.8427 m³/s
0.125 SP x 248.36 = 31.05 Pa
0.886 BHP x .7457 = 0.661 kW

Limited Warranty

In the sale of its products, American Coolair Corporation agrees to correct, by repairs or replacement, any defects in workmanship or material that may develop under proper and normal use during the period of one year from the date of shipment from the factory. Any product or part proving, upon American Coolair's examination, to be defective during limited warranty period will be repaired or replaced, at American Coolair's option, f.o.b. factory, without charge.

Deterioration or wear caused by chemicals, abrasive action or excessive heat shall not constitute defects.

American Coolair's limited warranty does not apply to any of its products or parts that have been subject to accidental damage, misuse by the user, unauthorized alterations, improper installation or electrical wiring, or lack of proper lubrication or other service requirements as established by American Coolair.

Repairs or replacements provided under the above terms shall constitute fulfillment of all American Coolair's obligations with respect to limited warranty.

THE LIMITED WARRANTY STATED HEREIN IS IN LIEU OF ALL OTHER WARRANTIES, EXPRESS, STATUTORY OR IMPLIED, INCLUDING WITHOUT LIMITATION THAT OF MERCHANTABILITY AND FITNESS.

NO LIABILITY FOR REINSTALLATION COST OR FOR ANY SPECIAL, INDIRECT OR CONSEQUENTIAL DAMAGES OF ANY NATURE IS ASSUMED OR SHALL BE IMPOSED UPON AMERICAN COOLAIR.



INDUSTRIES

AMERICAN COOLAIR CORPORATION

REPRESENTED BY:

GENERAL OFFICE, JACKSONVILLE, FLORIDA 32203-2300 ~ (904) 389 3646 ~ FAX (904) 387 3449 ~ E-MAIL: fans@coolair.com
VANE AXIAL FANS ~ TUBE AXIAL FANS ~ PROPELLER FANS ~ POWER ROOF VENTILATORS ~ CENTRIFUGAL VENTILATORS
MEMBER OF AMCA