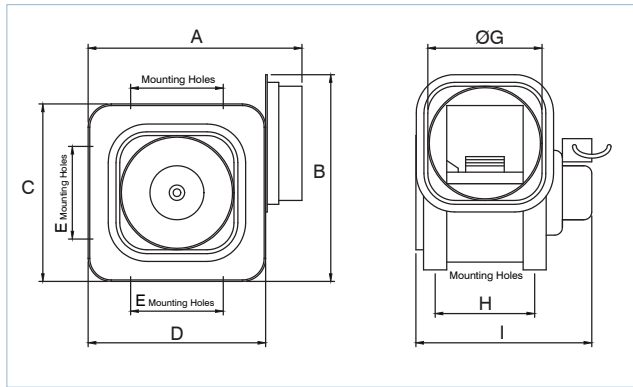


## Dimension ( mm )



MODEL	A	B	C	D	E	ØG	H	I
DF 34	293	278	250	298	240	145	143	234
DF 44	353	360	300	350	160	195	189	291
DF 55B	353	360	300	350	160	195	189	291
DF 65A	383	385	330	382	200	195	215	323
DF 76H	456	445	380	460	260	248	216	358

## Accessories (Optional)

GACG Series		GA4CG	
		A	110
		B	110
		C	76.5
		D	60

GR Series		GR06	GR08
		A	210
		B	84
		C	145
			250
			67
			195

GAT Series		GA6T	GA8T
		A	290
		B	264
		C	248
		D	92
		E	18
		F	145
			324
			296
			278
			88
			18
			190

**GTG**<sup>®</sup>

**THE BLACK KING KONG**



## Mini Sirocco Fan



### GTG Industries Sdn Bhd

(912584-W)

No. 13, Jalan Astaka U8/88B,  
Seksyen U8, Bukit Jelutong,  
40150 Shah Alam, Selangor, Malaysia  
TEL +603-78590213/0216/0217 FAX +603-78590218  
EMAIL inquiry@gtg.com.my WEBSITE www.gtg.com.my



SCAN & VISIT OUR WEBSITE



## Mini Sirocco Fan

### The Black King Kong

- ◆ High static pressure application suitable for installation.
- ◆ Light weight and compact size facilitates easy installation.
- ◆ Coated metal casing provides stronger corrosion resistance.
- ◆ Forward curve sirocco fan provides larger air volume at higher static pressure.
- ◆ Quiet and energy efficient.

## Introduction

**THE BLACK KING KONG SERIES** is specially designed for versatile application. It is applicable for general building such as office, flat, shopping mall, factory etc.

The perfect matching of the high efficiency motor and the well balanced sirocco impeller deliver greater air volume and static pressure at lower sound level.



### Casing

Manufactured in sheet steel with anti corrosion paint.

Suction and discharge round adaptors facilitate easy installation with round duct.

Compact and light weight.

### Impeller

Centrifugal forward curve sirocco fan.

Provide large air volume at high static pressure.

### Motor

High efficiency moisture-proof, dust proof totally enclosed motor.

Permanently self-lubricated bearing dispensing with the need of re-greasing.

Class E insulation.

Built-in thermal protection device.

### Accessories (Optional)

Outlet Duct Cap (with wire mesh)



GACG Series

Inlet Grille



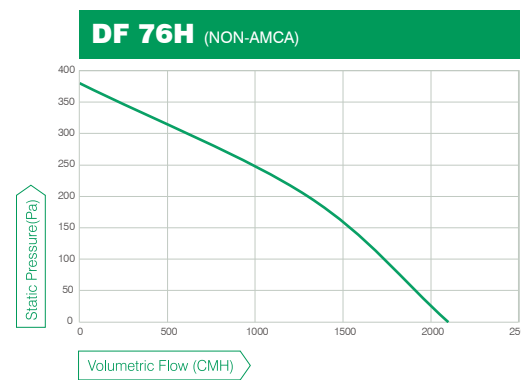
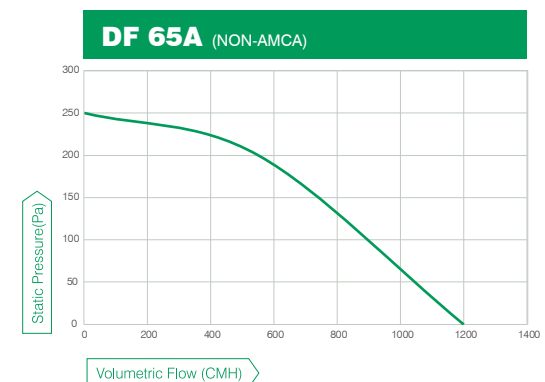
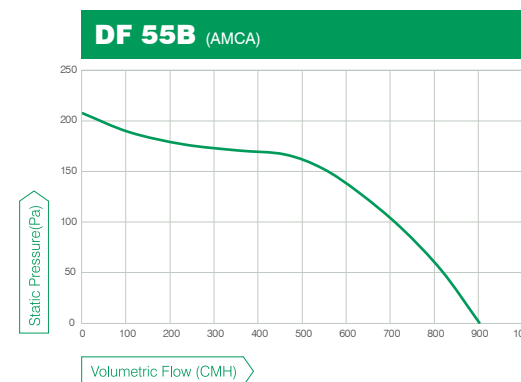
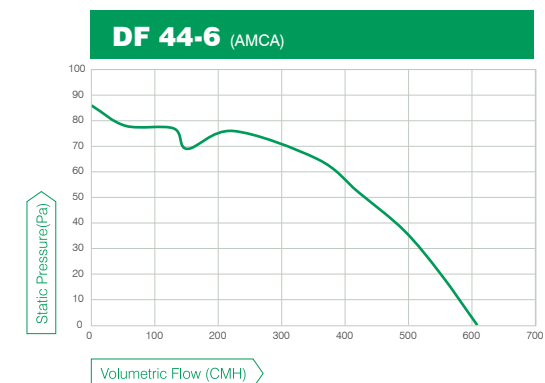
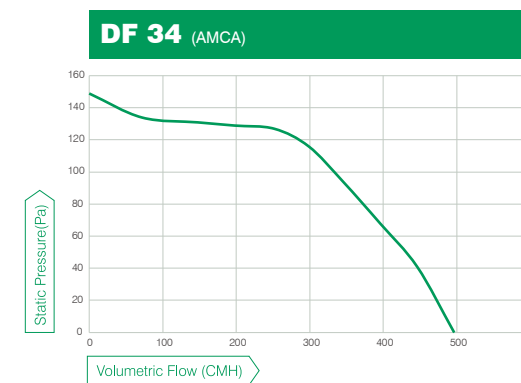
GR Series

Intake Louver Kit



GAT Series

## Performance Curves



GTG Industries Sdn Bhd certifies that the model: DF34, DF44-6, DF55B shown herein are licensed to bear the AMCA Seal. The ratings shown are based on tests and procedures performed in accordance with AMCA Publication 211 and AMCA Publication 311 and comply with the requirements of the AMCA Certified Ratings Program. Model: DF65A, DF76H are not licensed by AMCA International.

## Electrical Data

Model	DF 34	DF 44-6	DF 55B	DF 65A	DF 76H
Volt / Phase / Hz	240/1/50	240/1/50	240/1/50	240/1/50	240/1/50
Max Power Input Watts	63	62	135	285	380
Air Flow (CMH)	497	608	904	1200	2100
RPM	1339	900	1278	1100	1008
Amps	0.25	0.25	0.59	1.30	1.73
LwA dB(A)	63	58	67	76	83
LpA dB(A) at 3m	42	37	46	55	62
Weight (kg)	6	9	9.4	14	19

SPEED (RPM) SHOWN IS NORMAL. PERFORMANCE IS BASED ON ACTUAL SPEED OF TEST  
LPA-DBA LEVELS ARE NOT LICENSED BY AMCA INTERNATIONAL  
PERFORMANCE CERTIFIED IS FOR INSTALLATION TYPE B - FREE INLET, DUCTED OUTLET. PERFORMANCE RATINGS DO NOT INCLUDE THE EFFECTS OF APPURTENANCES (ACCESSORIES)  
THE A-WEIGHTED SOUND RATINGS SHOWN HAVE BEEN CALCULATED PER AMCA INTERNATIONAL STANDARD 301  
VALUES SHOWN ARE FOR INLET LwA SOUND POWER LEVELS FOR INSTALLATION TYPE B - FREE INLET, DUCTED OUTLET  
MODELS DF65A, DF76H ARE NOT LICENSED TO BEAR THE AMCA CERTIFIED RATINGS SEAL

Specifications subject to changes without prior notice.