

MODEL EA-615-D

Extruded Aluminum Louver • 6" Deep • Drainable Baffle Blades • Stationary • Channel Type

Standard Materials and Construction

FRAME: Extruded aluminum, 6063-T52/T6 alloy, available in .081" thickness (nominal) and .125" thickness (nominal).

BLADE: Extruded aluminum, 6063-T52/T6 alloy, available in .081" thickness (nominal) and .125" thickness (nominal).
Blades approximately 4½" on centers.

LOUVER FACE: Full width sill, with blades and head contained in jambs.

SCREEN: (When indicated.)

½" flattened aluminum (.051" thick),

-or- ½" sq. mesh, intermediate double-crimped aluminum wire, .063" dia.,

-or- 1¼" mesh, .011" dia. aluminum wire, insect screen.

FINISH: Mill

Options

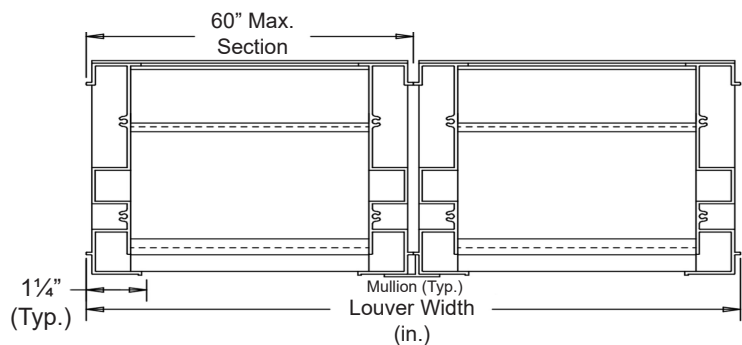
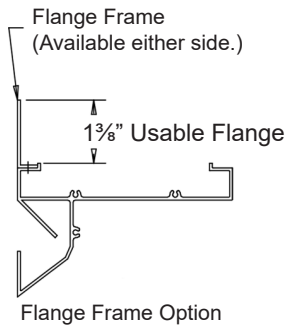
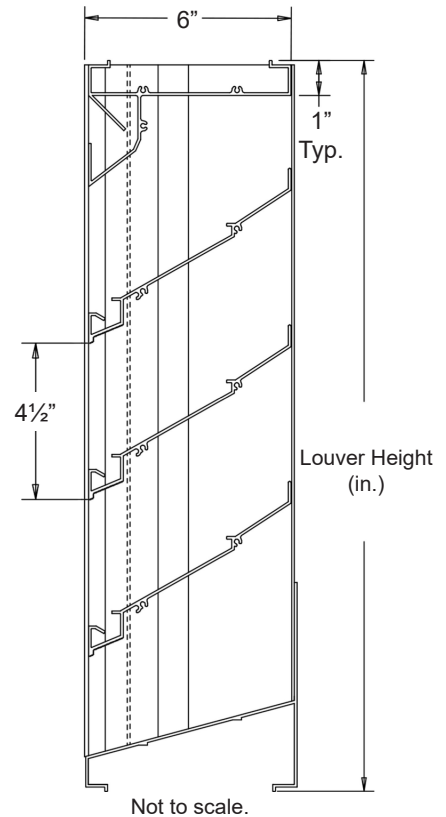
Finish - Baked Enamel, Kynar, Anodize

Notes

1. Nominal deductions will be made to the opening size given.
2. Approximate shipping weight is 4.0 lbs./sq.ft.

Louver Sizes

| Min Panel | Max Single Panel |
|-------------|------------------|
| 12"W x 12"H | 60"W x 96"H |



| Item # | Qty | Width | Height | Width | Height | Mullion | Type | Location | Union Made |
|---------------|-----|--------------|--------|-------------|--------|---------|---------|----------|------------|
| | | Opening Size | | Louver Size | | | Screens | | |
| Arch. / Eng.: | | | | | | EDR: | ECN: | Job: | |
| Contractor: | | | | | | | | | |
| Project: | | | | | | Date: | DWN: | DWG: | |

MODEL EA-615-D

Extruded Aluminum Louver • 6" Deep • Drainable Baffle Blades • Stationary • Channel Type

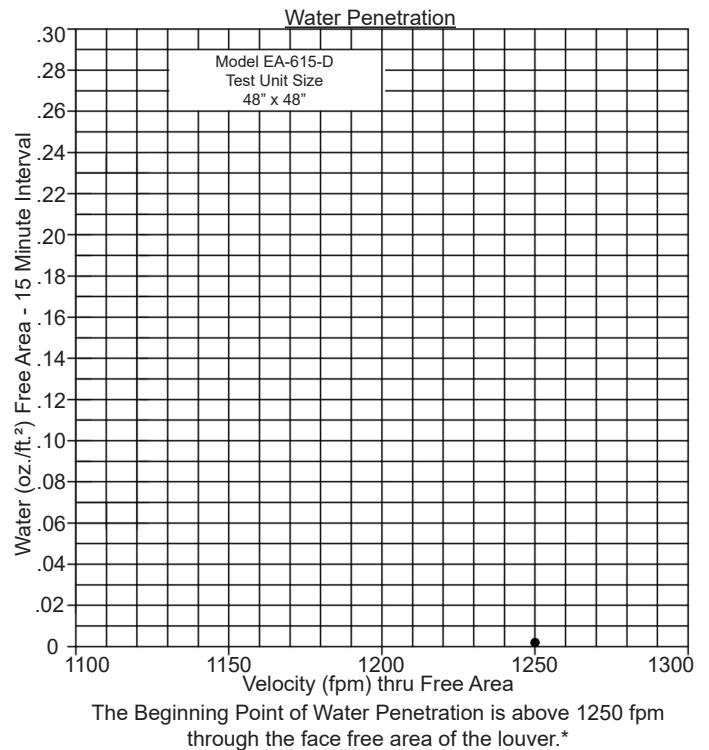
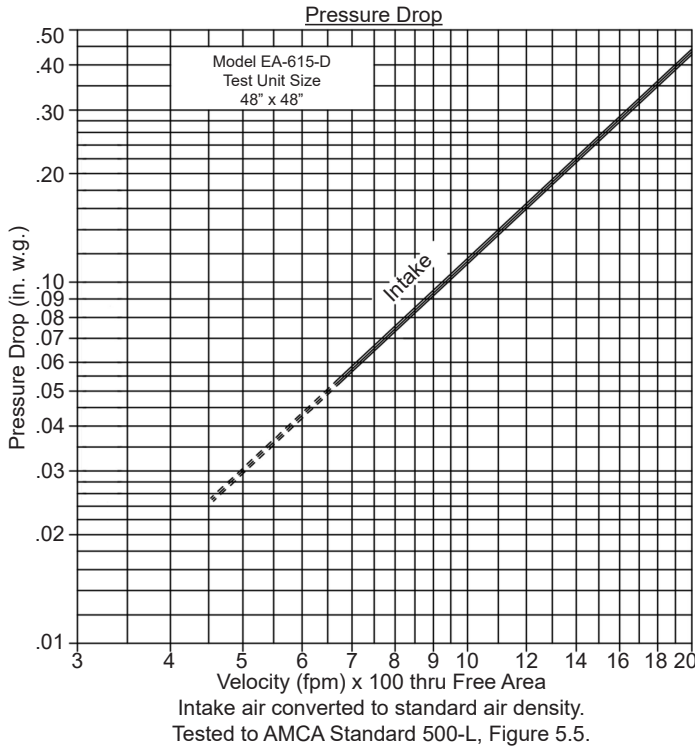
Performance Data

Pressure Drop: .12 in. w.g. at 1000 fpm (Intake)

Free Area: 8.97 sq.ft. = 56% for 48"W x 48"H sample tested in accordance with AMCA Standard 500-L.

Beginning Point of Water Penetration: Above 1250 fpm

Ratings do not include effects of a screen.



Free Area (sq.ft.)

| | | Width (in.) | | | | | | | | |
|--------------|-----|-------------|------|------|-------|-------|-------|-------|-------|-------|
| | | 12" | 18" | 24" | 30" | 36" | 42" | 48" | 54" | 60" |
| Height (in.) | 12" | .25 | .41 | .57 | .72 | .88 | 1.04 | 1.20 | 1.36 | 1.51 |
| | 24" | .78 | 1.27 | 1.76 | 2.25 | 2.74 | 3.23 | 3.72 | 4.21 | 4.70 |
| | 36" | 1.29 | 2.11 | 2.92 | 3.74 | 4.55 | 5.37 | 6.18 | 7.00 | 7.81 |
| | 48" | 1.83 | 2.99 | 4.15 | 5.31 | 6.47 | 7.62 | 8.97 | 9.94 | 11.10 |
| | 60" | 2.36 | 3.85 | 5.34 | 6.83 | 8.32 | 9.81 | 11.30 | 12.79 | 14.28 |
| | 72" | 2.87 | 4.69 | 6.50 | 8.32 | 10.13 | 11.95 | 13.76 | 15.58 | 17.39 |
| | 84" | 3.42 | 5.57 | 7.73 | 9.89 | 12.05 | 14.21 | 16.36 | 18.52 | 20.68 |
| | 96" | 3.94 | 6.43 | 8.92 | 11.41 | 13.90 | 16.39 | 18.88 | 21.37 | 23.86 |



* AMCA Standard 500 limits testing of Water Penetration to either a maximum velocity of 1250 fpm or 2.5 ounces of water per square foot of louver free area.

Arrow United Industries certifies that the Model EA-615-D shown herein is licensed to bear the AMCA seal. The ratings shown are based on tests and procedures performed in accordance with AMCA Publication 511 and comply with the requirements of the AMCA Certified Ratings Program. The AMCA Certified Ratings Seal applies to Water Penetration and Air Performance Ratings only.