

Marketing's
Marketing profile

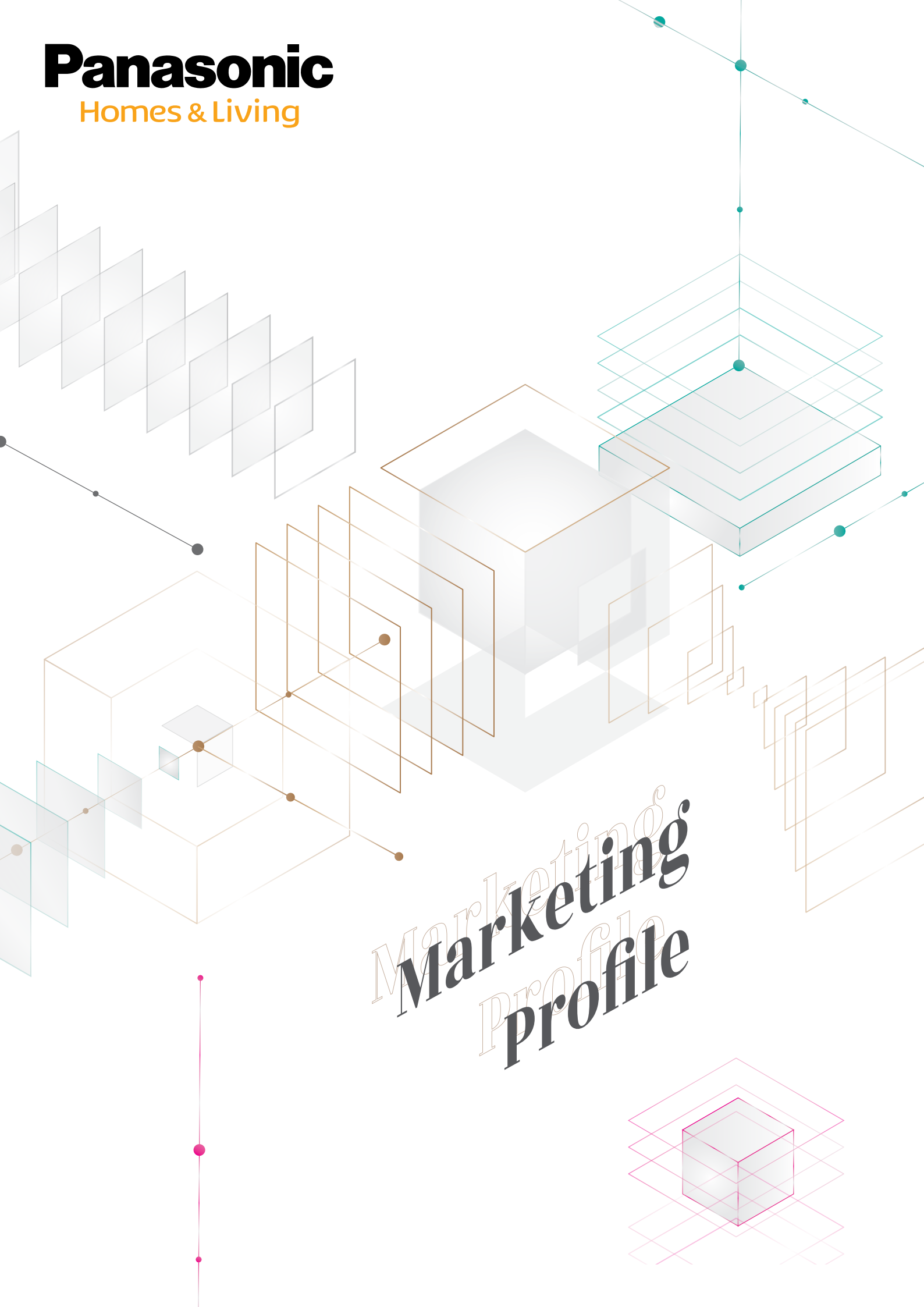
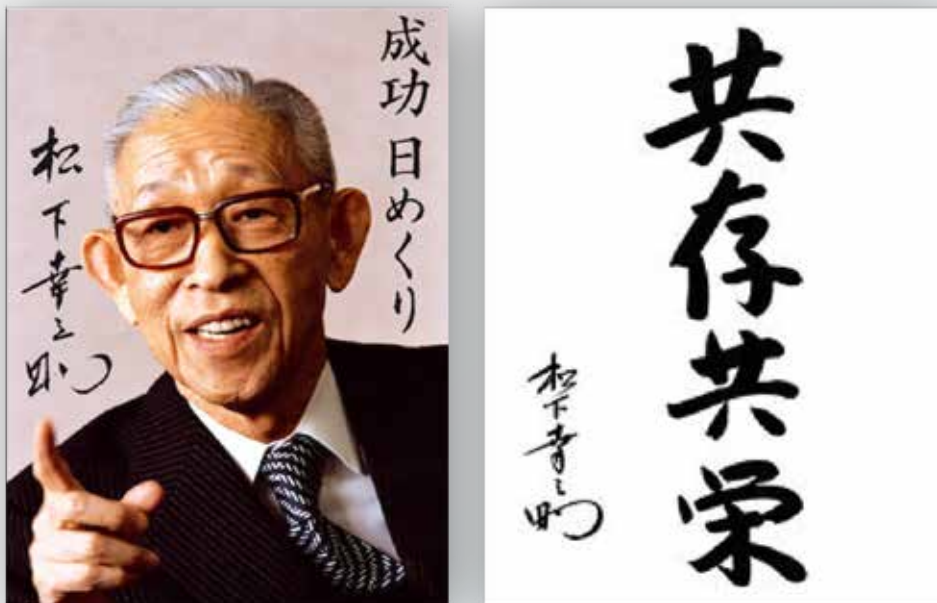


TABLE OF CONTENTS

1.3.....	Message From The Founder
1.4.....	Marketing Map
1.5.....	IAQ (Indoor Air Quality) Solutions
1.6.....	Important Milestones
1.8.....	Ventilation Equipment
1.10.....	Home Appliance & Business Solution
1.12.....	Event Highlights
1.13.....	Corporate Social Responsibilities
1.14.....	Our Supports

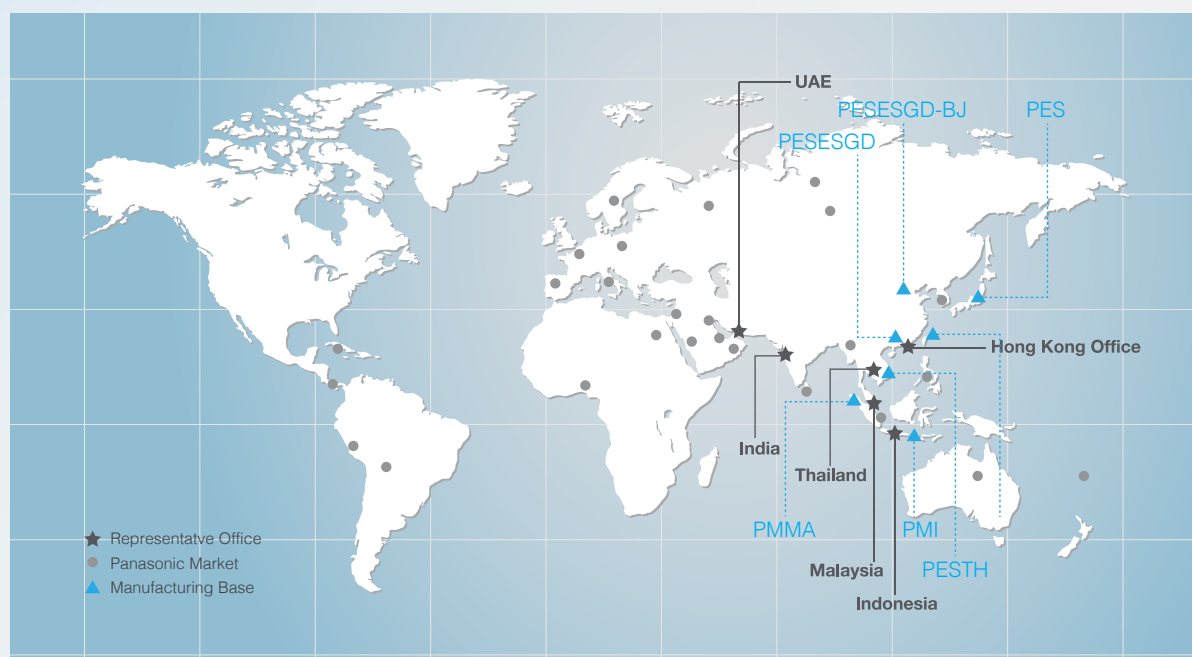
“ Co-existence and
Mutual Prosperity ”



by Konosuke Matsushita
Founder, Panasonic Corporation

MARKETING MAP

Panasonic has set up businesses in various countries, securely building its reputation and brand value in the minds of its customers. Looking forward, in addition to continuous development in existing markets, we will explore new business in potential markets throughout other fast-growing regions aggressively.



Market Prospect

Hong Kong

Hong Kong is a global business city and located in the heart of Asia, operation office of oversea marketing is set up there to play a vital role between markets and factories.

South East Asia

South East Asia continues its steady growth in upcoming decades with expected rising demand. In response to the expanding markets, Panasonic established its representative offices in Thailand, Indonesia, Malaysia, Vietnam and India respectively.

Middle East

Middle East is expected that living standard will rise rapidly over next decade. The representative office was established in Dubai for 20 years, we have been working closely together with our business partners to provide high level of service to customers.

Latin America

Latin America is one of the regions having long history with Panasonic business. We have been maintaining the products and services in high quality to the present markets. In addition, we continue to expand the business with new market development in the region.

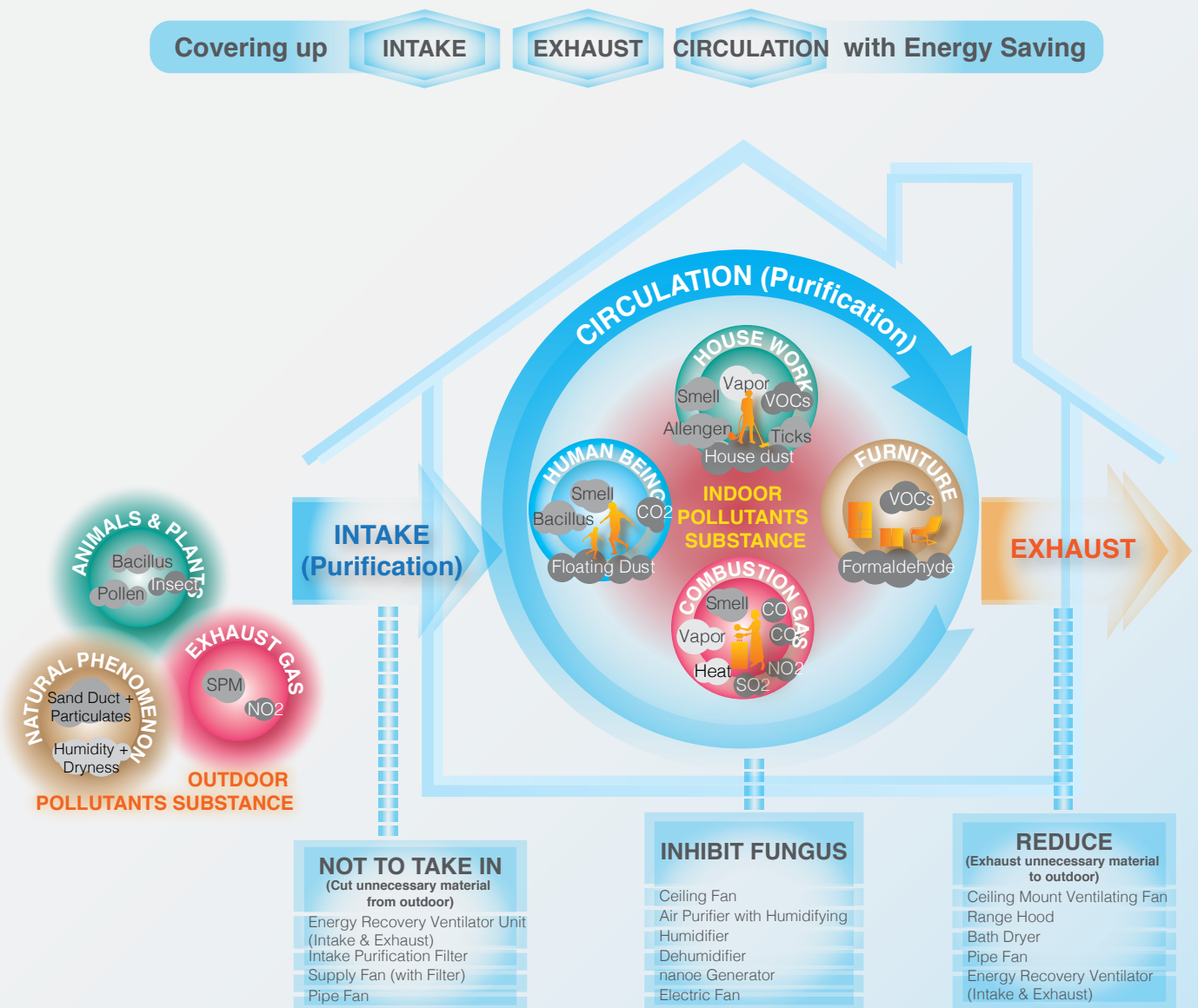
Europe & Africa

Europe and Africa would be potential markets for Panasonic in air-related business. To tap the potential of these market, we collaborate partnership with leading customers to explore new businesses.

IAQ SOLUTIONS

Air is the substance which human being take the most into the body as compared with food and water. Moreover, we spend more than 70% of our time indoors that indoor air quality (IAQ) is essential to our daily life. Panasonic recognizes the importance of IAQ, we has been developing the technologies, solutions and products that can contribute the benefits to our living environment.

IAQ (INDOOR AIR QUALITY) SOLUTIONS OF PANASONIC FOR WHOLE HOUSE



BUSINESS HISTORY

PRODUCT HISTORY

1918

1918 Matsushita Electric Housewares Manufacturing Works Co. was established
 1950 Sales of National electric fan in Japan started
 1956 Osaka Denki Seiki Co., Ltd was jointly incorporated by Matsushita Electric Industrial Co., Ltd. And Nihon Denki Seiki Co., Ltd.
 1958 Export of National electric fan to oversea markets started
 1959 National mark adopted



1950 3 Wide Blade Desk Fan
 1953 Ceiling Fan
 Stand Fan
 Auto Fan

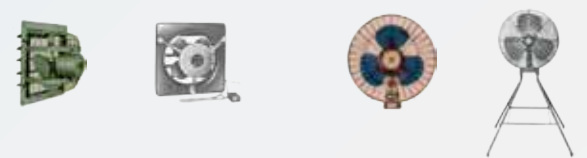


1960

1962 Osaka Denki Seiki Co., Ltd was renamed to Matsushita Seiko Co., Ltd
 1966 English letter adopted in brand logo

NATIONAL

1960 Ventilating Fan with shutter
 1963 Ventilating Fan with Electric Shutter
 1965 Automobile Fan
 1964 Industrial Electric Fan



1970

1973 New logo and mark used

National



1970 High Pressure Ventilating Fan
 1978 Axial Flow Fan
 1979 Air Conditioning Ventilating Fan
 Explosion Proof Ventilating Fan



1980

1981 International Fan Manufacturing Co., Ltd [IFCO] was set up in Hong Kong
 1989 IFCO was renamed as Matsushita Seiko Hong Kong International Manufacturing co., Ltd [HIMCO]

1980 Room Fan (Louver Fan)
 Desk Fan with Cassette Player
 Mini Duct Fan
 Mini Sirocco Fan



1990

1993 Shunde Matsushita Seiko Co., Ltd [SHUMCO] was set up in China
 1995 Beijing Great Wall Matsushita Seiko Air Conditioning Equipment Co., Ltd (BGMAC) was set up in China
 1996 Matsushita Seiko (Thailand) Co., Ltd. (THAMS) was set up in Thailand and then renamed to Panasonic Ecology Systems Thailand Co. Ltd. (PESESTH) in 2004
 1999 Set up Oversea Marketing Headquarter in HIMCO, which was renamed to Panasonic Ecology Systems Hong Kong Co., Ltd. (PESHK) in 2004

1990 Futon Dryer
 1991 Energy Recovery Ventilator
 1999 Dehumidifier



2000

2003 Matsushita Seiko Co. Ltd. was renamed as Matsushita Ecology Systems Co., Ltd. (MESOC)
 SHUMCO was renamed as Guangdong Matsushita Seiko Co., Ltd. [GDMESC] in 2003 and further changed to Panasonic Ecology Systems Guangdong Co. Ltd. (PESESGD) in 2006
 2004 National brand was unified as the brand Panasonic

Panasonic

2005 BGMAC was merged with PESESGD and renamed to PESESGD-BJ
 2008 MESOC was renamed as Panasonic Ecology Systems Co., Ltd. (PESES)

2003 Hybrid Tower Kazekamome
 Wireless Remote Control Ceiling Fan
 2004 Alleru Buster Air Purifier



2010

2012 Joined as a member of Panasonic Eco Solutions Company
 2018 100th anniversary of Panasonic



2010 Nanoe Generator
 DC Electric Fan
 Air-e (Nanoe Generator)



IMPORTANT MILESTONES

1958
Slide Fan
(Living Fan)



Wall Fan



1965
Range Hood



1966
Reversible
Ventilating Fan



1967
Air Cleaner



Window Mount
Ventilating Fan



1968
Personal Air Circulator



1969
Ceiling Mount
Ventilating Fan



Humidifier



Air Curtain



Fan Coil Unit



Compact Axial
Flow Fan



Roof Ventilator



Spot Cooler



Pipe Fan



1982
Hand Dryer



1986
Desert Cooler



Simultaneous
Exhaust/Intake Fan



1988
Cabinet Fan



Water Pump



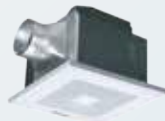
2005
Thermo Ventilator



2006
nanoe Air Purifier



2009
DC Ceiling Mount
Ventilating Fan



2013
Mist Sauna



2014
Window Mount
Thermo Ventilator



2015
DC Ceiling Fan



Ball Fan



2017
Mist Air Cooler



2019
Wide Range
Electric Fan



To provide more pleasant and comfortable living spaces for people around the world, we will continue to develop a complete portfolio of ventilation products and systems for domestic application.

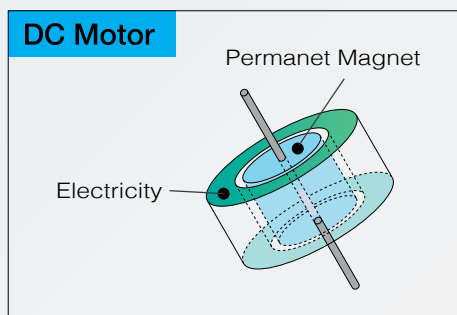
By combining our knowledge and experience, a diverse range of innovative ventilation products have been introduced to create high quality living environment, while offering value-added benefits to our customers.

Technology Highlight

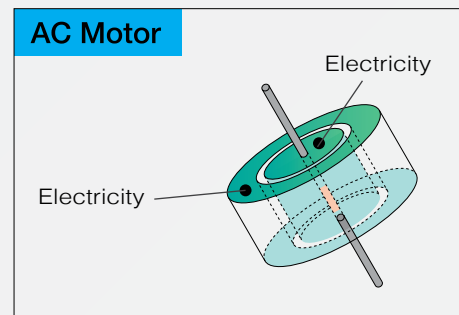
DC (Direct Current) Motor DC Ceiling Mount Ventilating Fan

With customers becoming more environmentally aware than before, the demand for energy efficient product is rising. Panasonic has developed an AC (Alternative Current) direct-input DC (Direct Current) motor with unprecedented performance characteristics.

In conventional DC ventilating fan motors, the power and drive circuits are separated from the motor. The newly designed Panasonic motor encloses all electronic circuits in a molded casing that enhances energy efficiency and offers a longer operational life. Its energy efficiency is increased up to 96% as compared with conventional AC motor.



Stator uses electrical magnet while rotor uses permanent magnet

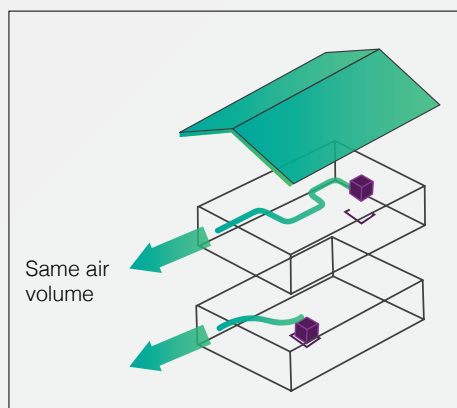


Stator & rotor both uses electrical magnet

Constant Airflow Ceiling Mount Ventilating Fan

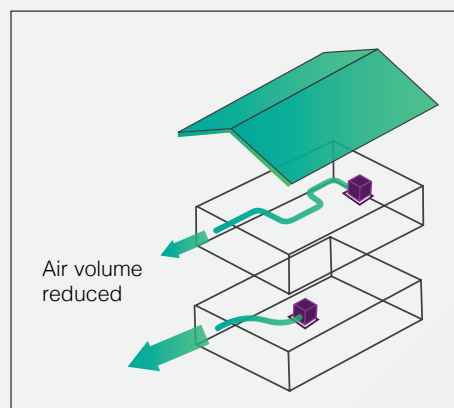
Currently, various models would be selected to fit different locations in your house to overcome static pressure induced by duct length and elbows. By using new technology, our latest product can fulfill airflow requirements regardless of the factors that may increase static pressure. When the fan encounters static pressure, its speed is automatically increased to ensure the rated airflow is achieved.

With Constant Air Volume



Air volume from same model with different duct length are same

Without Constant Air Volume



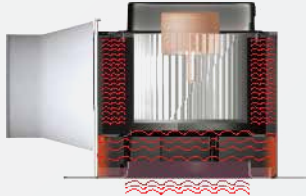
Air volume from same model with different duct length are different

VENTILATION EQUIPMENT

Low Noise Design Ceiling Mount Ventilating Fan

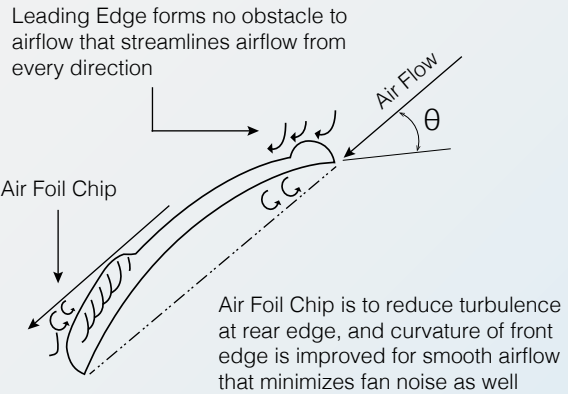
These fans adopt distinctive design of “Resonance-Noise-Absorption Structure”. It can minimize the transmission of noise from the blower to exterior, reducing the operation noise to incredibly low levels and to create a tranquil and silent environment for you.

With the “Double Orifice” Structure, noise is effectively absorbed and reduced between the double orifice and casing.



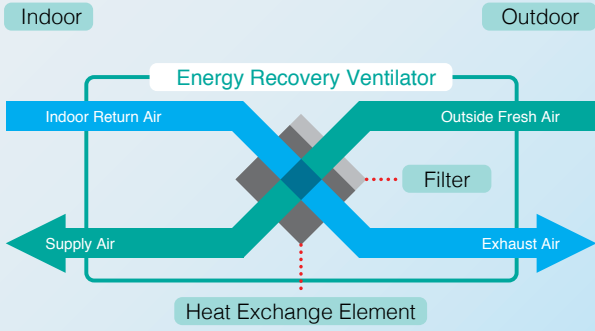
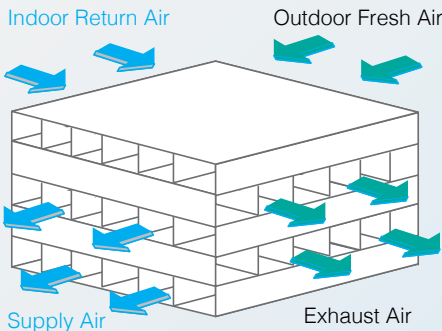
Advanced Blade Design Wall / Window Mount Ventilating Fan

The blade design applies advanced aerodynamic principle that minimizes any obstacles against the airflow.



Heat Exchange Technology Energy Recovery Ventilator

Temperature differences between exhaust and intake air during balanced ventilation will increase the cooling load during hot seasons and the heating load during cold seasons. With our heat exchange mechanism, heat and moist are exchanged between the exhaust and supply's air stream. In summer, outside air supplied into the room is cooled down to a temperature close to that of indoors and vice versa in winter. It ensures energy saving by this exchange process.



HOME APPLIANCE & BUSINESS SOLUTION

In response to the rapid growing demand for indoor air quality (IAQ), Panasonic, as a leading provider, has developed a full spectrum of products to satisfy the various needs and requirements of customers.

By applying our cutting edge technologies, we are able to enrich people's lives with improved indoor air quality. A variety of products were developed to achieve this, such as air purifier & ceiling fan.

Technology Highlight

Air Purifier

nanoe

Air Purifier, Dehumidifier, Air Cooler and Electric Fan

nanoe™ is long-life micro particles created from water, it can penetrate into fabrics thoroughly and reach in far corners to inhibit pollutants. As the ions are wrapped in water molecules that the effect is long-lasting. Furthermore, nanoe™ is generated from condensed moisture in the air that water replenishment is not required.



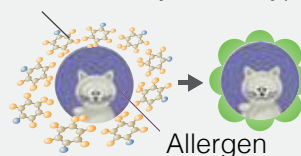
Super Alleru-Buster

Air Purifier, Dehumidifier, Air Cooler and Electric Fan

Some of our Indoor Air Quality Appliances, such as Air Purifier and Dehumidifier, are equipped with anti-bacteria filters which consist of three features, Super alleru-buster, Anti-Bacteria Emzyme and Green Tea Catechin. These three filters can inhibit 99% of allergens and eliminate bacteria, keeping your room fresh and dry.



Phenolic Polymer • Polyphenol



Absorb and inhibit allergens

Mist Air Cooler

Differing from typical evaporation, Panasonic mist technology lower room temperature more efficiently. Small amount of water is pumped up inside the vessel by the rotation of the rotor and silky mist is generated by the crashing ring. The mist is evaporated and blown out of the vessel by airflow for absorbing warm air energy.

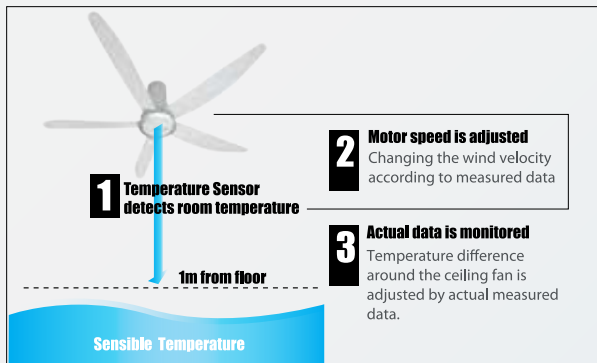
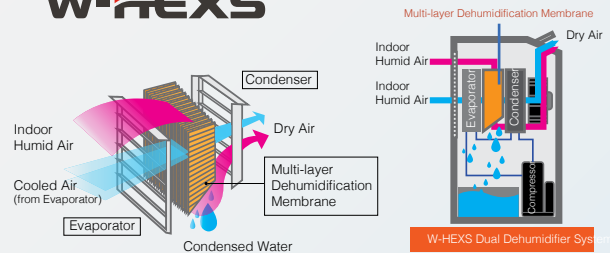
Size of mist particles generated by Panasonic mist technology is 6 times smaller than steam particles and 1000 times smaller than the cooling particles from typical evaporation.



W-HEXS(Dual Dehumidifier System) Dehumidifier

The multi-layer dehumidification membranes of W-HEXS enable additional air inlet direction, by which cool and hot air flow across for condensation. This process significantly improves power efficiency of dehumidification as compared with single air flow of conventional dehumidification system.

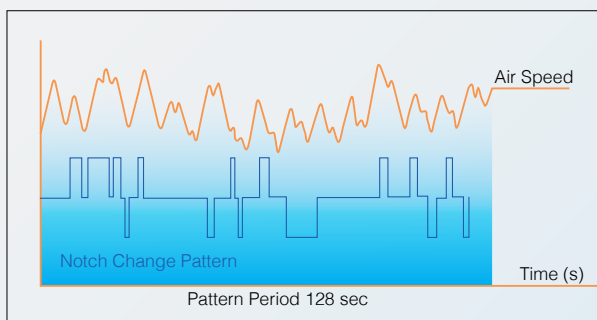
W-HEXS



Depending on the room temperature, Auto Mode controls the fans to generate the most comfortable air velocity to human body.

Auto Mode by Temperature Sensor Ceiling Fan and Electric Fan

Equipped with thermal sensor, auto mode can detect temperature changes and control the fan, generating the most comfortable air flow.



Speed notch toggles based on 1/f Yuragi pattern

1/f Yuragi Electric Fan

1/f yuragi

Our sophisticated technology, the 1/f Yuragi on the Electric Fan, varies air velocity and simulates the pattern of natural breeze, bringing people a sense of refreshment and comfort. Incorporated with human-centered technology, the rhythm also maintains your external body temperature and keeps you in a relaxing physical condition.

EVENT HIGHLIGHT



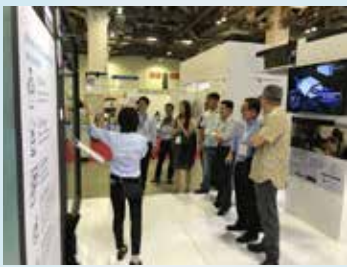
Hospitality Summit, Philippines (2019)



Product Seminar, Taiwan (2019)



Fan Ventilation Showroom, Indonesia (2019)



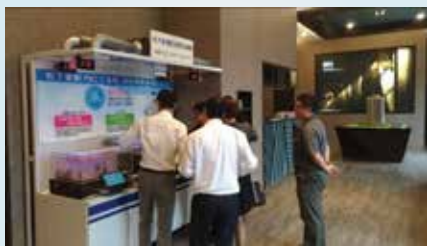
MCE Asia, Singapore (2018)



REVAC Expo, Malaysia (2018)



Product Seminar, Myanmar (2018)



Product Seminar, Taiwan (2018)



The Future of Living Expo, Hong Kong (2018)



Press Conference, UAE (2018)



Smart Solution Center, Thailand (2017)



Product Seminar, Vietnam (2017)



Asian Building Technologies, Hong Kong (2016)

CORPORATE SOCIAL RESPONSIBILITIES

As a company with Corporate Special Responsibility at the core, we will never forget to set the environmental protection as our priority goal to achieve besides product innovation and customers satisfaction.

Under normal circumstances, Panasonic's products are not mandatory to comply with the Restriction of Hazardous Substances (RoHS) regulation for their markets. Nevertheless, we recognize our responsibility to the society and therefore, commit ourselves to conforming to the RoHS requirements. We have invested a lot of resources and implement such pro-environmental policy. In 2006, we were proud to announce that all our products follow the RoHS regulations.

In addition, Panasonic has demonstrated its commitment to providing quality air to the environment, and was finally certified under the standards of ISO14001 Environmental Management and ISO9001 Quality Management.



ISO9001 Certificate



ISO14001 Certificate



Charity Marathon, Hong Kong (2008-2019)



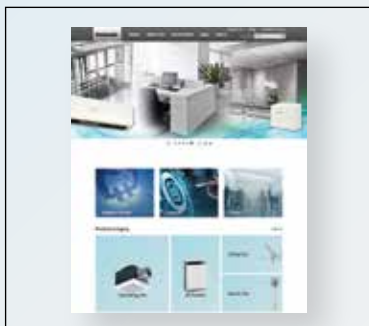
Our care for the Earth has been proven by the newly-launched products or parts, such as DC motor, Auto Mode for ceiling fan, HP motor, etc. They are characterized by functions that help enhance energy conservation.

In the age of information, we understand the importance of information security. We have acquired ISO27001, the Information Security Management in 2009. It further shows our commitment to protecting the right of our customers.

In response to our commitment to contributing the society, Panasonic also involves in a wide scale of CSR-related activities around the world.

OUR SUPPORTS

WEB COMMUNICATION



To cope with the rapid development of worldwide network, we have launched a newly-designed web site in 2019. It provides a platform for us to communicate with our customers worldwide, and in an effective manner.

In addition, to ensure our online information can be accessible to persons with disabilities, our new web site meets the requirement of Panasonic Web Accessibility Manual to cater for the needs of persons with disabilities.

PRODUCT SELECTION PROGRAM

This program provides a tool for customers to select applicable models of ventilation products by simply inputting the required criteria.

There are professional version and simple version for different applications.



Professional Version



Simple Version



HOME VENTILATION

This program allows their customers to understand the possible air problems in a house.

PRODUCT SEMINAR / TRAINING

To further enhance our value as a leading provider of indoor air quality products, we continuously provide various types of semi-nar and training to our business partner so the highest standard of the services can be maintained.



Product Index

Page Number Content

2.1 - 2.3	Product Overview
2.4 - 2.15	Air Moving Equipment
2.4	Compact Axial Fan
2.8	Mini Sirocco Fan
2.14	Accessories
2.16 - 2.24	Ceiling Mount Ventilation Fan
2.16	Super Quite Series
2.20	Standard Series
2.21	DC Motor Series
2.23	Metal Series
2.25 - 2.30	Cabinet Fan
2.25	Single Phase Series
2.29	Three Phase Series
2.31 - 2.36	Industrial Ventilation Fan
2.31	High Pressure Series
2.35	Shutter Series
2.37 - 2.43	Wall Mount Ventilation Fan
2.37	Filter Series
2.38	Automatic Shutter Series
2.40	Automatic Shutter Louver Series
2.41	Reversible Series
2.42	Reversible Louver Series
2.43	Metallic Series
2.44 - 2.47	Window Mount Ventilation Fan
2.44	High Pressure Deluxe Series
2.45	Electric Shutter Series
2.46	Automatic Shutter Series
2.47	Cord-operated Shutter Series
2.48 - 2.53	Specification Summary
2.54 - 2.58	Air Curtain
2.54	Cross Flow Type
2.57	Sirocco Tyoe

PRODUCT OVERVIEW

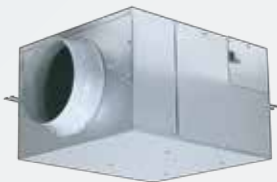
Ceiling Mount Ventilating Fan



- DC motor & AC motor with thermal cut-off
- Fan size (L x W x H)mm : 170 x 170 x 180 - 376 x 376 x 250mm
- Louver size mm : 240 - 310 mm
- Duct size mm : 100/150 mm
- Capacities : 80 - 800 m³/h
- Static pressure : 90 - 340 Pa
- IPX2
- Insulation class : E
- Material : metal (galvanized steel)/plastic (ABS)
- Auto operation by motion sensor (model : FV-24JR2)
- AMCA certified ,IEC standard compliance, GSO certified ESMA, KUCAS,SASO, SONCAP



Cabinet Fan



- Long life condenser motor with thermal cut-off
- Twin flow fan (Sirocco fan)
- Fan Size(L x W x H)mm : 290 x 291 x 184 - 809 x 1052 x 370mm
- Duct Size mm : 100 - 250mm
- Capacities : 145 - 5300 m³/h
- Static pressure : 135 - 600 Pa.
- IPX2
- Insulation class : E
- Material : galvanized steel enhancing high durability.
- Models licensed to bear the AMCA certified seal: FV-12NS3, FV-15NS3, FV-18NS3, FV-18NF3, FV-20NS3, FV-23NL3, FV-25NS3, FV-25NF3



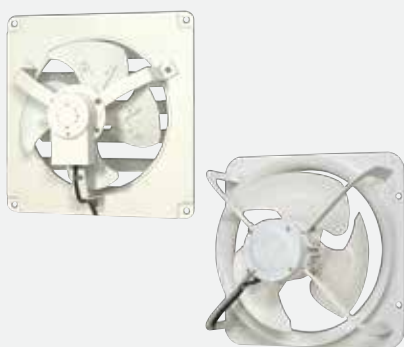
Compact Axial



- AC motor with thermal cut-off
- Fan size(L x W x H)mm : 280 x 280 x 260 - 554 x 554 x 530mm
- Capacities : 550 - 6522 m³/h
- Static pressure : 115 - 800 Pa
- Material : Steel/Aluminum
- Ambient temperature range of from -10°C to 40°C
- IPX2
- Insulation Class : B

PRODUCT OVERVIEW

Industrial Type



- HP motor with thermal cut-off.
- Fan size (L x W x H)mm : 327 x 327 x 171 - 760 x 760 x 320mm
- Capacities : 1150 - 10920 m³/h
- Static pressure : 47 - 140 Pa
- Type : shutter/no shutter
- Insulation class : E
- Material : metal (Steel SGCC)
- IEC standard compliance, GSO certified, ESMA, KUCAS, SASO, SONCAP
- Models licensed to bear the AMCA certified seal: FV-25GS5, FV-30GS5, FV-35GS5, FV-40GS5, FV-45GS4, FV-50GS4, FV-60GS4



Mini Sirocco



- AC motor with thermal cut-off
- Fan size (Lx W x H)mm : 180 x 180 x 120 - 330 x 330 x 250mm
- Duct size mm : 100 - 200mm
- Capacities : 144 - 1590 m³/h
- Static pressure : 70 - 437 Pa
- Insulation class : E
- Material : metal (Steel SGCC)
- Two speed selection FY-16CG1, FY-17CG1, FY-19CG1, FY-21CG1, FY-21CT1
- IPX2

Wall Mount Ventilating Fan



- AC motor with thermal cut-off
- Fan size (L x W x H)mm : 170 x 170 x 99 - 402 x 409 x 128mm
- Capacities : 75 - 1200 m³/h
- IPX4 (outside) rating
- Insulation class : E
- Material : metal /plastic (ABS)
- Type : Bathroom Series / Filter Series (kitchen) / Automatic Shutter Series / Automatic Shutter Louver Series / Reversible Louver Series / Metallic Series
- IEC standard compliance, GSO certified, ESMA, KUCAS, SASO, SONCAP
- Models licensed to bear the AMCA certified seal: FV-15AST1, FV-20AU9T, FV-25AU9T, FV-30AU9T, FV-20AL9T, FV-25AL9T, FV-30AL7T, FV-20AS2, FV-25AS2, FV-30AS2, FV-20AS2 05, FV-25AS2 05, FV-30AS2 05



PRODUCT OVERVIEW

Window Mount Ventilating Fan



- AC motor /HP with thermo cut-off
- Fan size(L x W x H)mm : 210 x 210 x 92 - 224 x 224 x 194mm
- Duct size mm : 186 - 250 mm
- Capacities From 145 - 480 m³/h
- IPX4 (outside) rating
- Insulation class E
- Type : High Pressure Deluxe Series/Electric Shutter Series/Cord-operated Shutter Series
- Able to fix on glass plate of thickness: 3 - 25mm(FV-15WH3T/FV-20WH3T)
- Material : Plastic
- IEC standard compliance, GSO certified, ESMA, KUCAS, SASO, SONCAP
- Models licensed to bear the AMCA certified seal: FV-15WH3T, FV-20WH3T, FV-15WA1, FV-20WA1, FV-15WU4, FV-20WU4

Air Curtain



- AC motor With thermal cut-off
- Size mm : 900/1200/1500 mm
- Capacities : 920 - 2450 m³/h
- Material : Steel plate/Steel SGCC/Resin ABS/Glass fiber
- Insulation Class : B/F
- Type : Basic series, Remote control series, Sensor series
- IEC Standard Compliance, GSO Certified, ESMA, KUCAS, SASO, SONCAP

Water Pump



- Type : Peripheral/Centrifugal
- Capacity : 5L/Min to 154L/min
- Total head : 5m to 47.5m
- Stainless steel impeller/Brass Impeller
- Material : SUS steel motor shaft
- Output wattage [kW] : 0.37(0.5HP) - 1.5(2.0HP)
- Insulation class:F
- IEC standard compliance
- IP54
- Ambient Temperature: -10°C to 50°C

GSO - Gulf Standards organization
ESMA - Emirati standards Mark
ABS - Acrylonitrile butadiene styrene
KUCAS: Kuwait Conformity Assurance Scheme
SONCAP: Standard Organisation of Nigeria Conformity Assessment Program

COMPACT AXIAL FLOW FAN

Single Phase Series & Three Phase Series



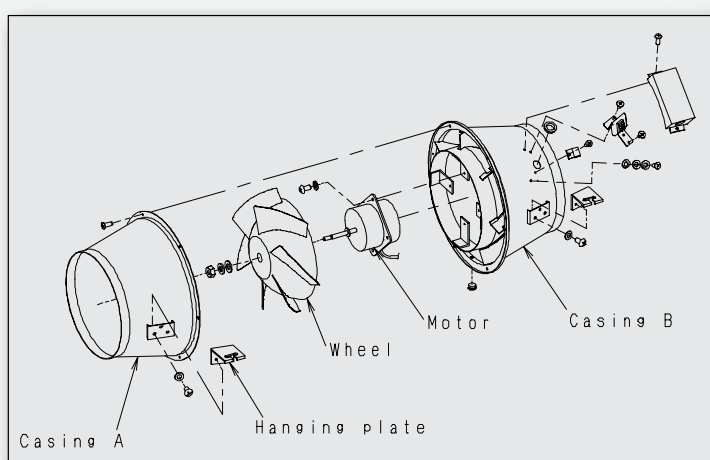
Single Phase

FY-25DSF2NET
FY-28DSM2NET
FY-35DSM2NET
FY-40DSL2NET
FY-40DSH2NET
FY-45DST2NET

Three Phase

FY-40DTL2BET
FY-40DTH2BET
FY-45DTT2BET
FY-45DTH2BET

Construction



Main components and materials

Components name	Material	Standard
Casing A	SPCC,SPHC	JIS G 3141
Wheel	A5052	JIS H 4000
	PP	JIS K 6747
	SPHC	JIS G 3141
Motor		
Casing B Assy.	SPCC,SPHC	JIS G 3141
Hanging plate	SPHC	JIS G 3141

Specification

MODEL No.	Power Supply	Rated Volatage (V)	Number of Poles	Hi/Lo	Air Volume (m ³ /h)		Current (A)		Input (W)		Noise Level (dB)						Wheel Diameter (cm)	Weight (kg)	Duct Size (mm)
											Side of Body		Inlet Side		Outlet Side				
					50Hz	60Hz	50Hz	60Hz	50Hz	60Hz	50Hz	60Hz	50Hz	60Hz	50Hz	60Hz			
FY-25DSF2NET	Single-phase	220-240V	4	Hi	600	720	0.19	0.17	34	38	41.0	42.0	51.0	54.0	50.5	53.5	25	4.7	Ø200
				Lo	550	650	0.14	0.12	27	29	39.5	41.5	49.0	52.0	48.5	51.5			
FY-28DSM2NET	Single-phase	220-240V	4	Hi	1194	1224	0.25	0.28	51	62	44.5	45.5	54.5	55.5	54.0	55.0	28	8.5	Ø250
				Lo	1050	1062	0.24	0.26	55	61	42.0	43.0	52.0	53.0	51.5	52.5			
FY-35DSM2NET	Single-phase	220-240V	4	Hi	2016	2154	0.42	0.57	95	131	45.5	46.5	56.5	57.5	56.0	57.0	35	13.0	Ø300
				Lo	1782	1830	0.38	0.50	87	113	43.0	44.0	54.0	55.0	53.5	54.5			
FY-40DSL2NET	Single-phase	220-240V	4	Hi	3228	3528	0.94	1.3	204	281	56.0	56.5	68.0	68.5	67.5	68.0	40	20.0	Ø350
				Lo	3084	3186	0.86	1.1	194	245	54.0	54.5	66.0	66.5	65.5	66.0			
FY-40DSH2NET	Single-phase	220-240V	4	Hi	3504	4128	1.1	1.8	256	401	55.5	56.5	67.5	68.5	67.0	68.0	40	22.0	Ø350
				Lo	3444	3822	1.0	1.6	233	348	53.5	54.5	65.5	66.5	65.0	66.0			
FY-45DST2NET	Single-phase	220-240V	4	Hi	4968	5940	1.9	2.8	428	643	59.5	61.0	69.5	71.0	69.5	71.0	45	37.0	Ø400
				Lo	4206	5790	1.7	2.7	398	615	58.0	60.5	68.0	70.5	68.0	70.5			
FY-40DTL2BET	Three-phase	380V	4	Hi	3396	3840	0.48	0.65	241	381	56.0	56.0	68.0	68.0	67.5	67.5	40	18.0	Ø350
				Lo	3330	3660	0.42	0.59	237	334	54.0	54.0	66.0	66.0	65.5	65.5			
FY-40DTH2BET	Three-phase	380V	4	Hi	3426	3912	0.57	0.66	250	372	56.0	57.0	68.0	69.0	67.5	68.5	40	19.0	Ø350
				Lo	3264	3666	0.45	0.58	220	331	55.0	56.0	67.0	68.0	66.5	67.5			
FY-45DTT2BET	Three-phase	380V	4	Hi	5004	6000	1.1	1.2	421	638	61.0	63.0	71.0	73.0	71.0	73.0	45	36.0	Ø400
				Lo	4860	5886	0.93	1.1	397	614	60.5	62.5	70.5	72.5	70.5	72.5			
FY-45DTH2BET	Three-phase	380V	4	Hi	5454	6522	1.2	1.4	511	758	59.0	65.0	68.5	72.5	68.5	72.5	45	37.0	Ø400
				Lo	5250	5789	1.1	1.3	482	730	58.5	64.5	68.0	72.0	68.0	72.0			

Note: In above table, the values are tested 230V for Single-phase Models, and 380V for Three-phase Models.

1. The values of air volume are measured at 0 static pressure (Pa) by the chamber method.

2. The values of Current and Input are in the free load condition.

3. The values of noise level are measured at 0 static pressure (Pa) and at the following positions.

(When ducts are connected on both inlet and outlet side.)

Side of fan body : 1.5m apart from the fan body (excluding the noise of outlet side)

Inlet side : 1.5m apart from the inlet of the fan (excluding the noise of outlet side)

Outlet side : 1.5m angle 45° apart from outlet side (excluding the noise of inlet side)

Add 2dB to the values above for the noise levels apart from 1.0 m.

4. Specifications above indicate the values under the condition of normal temperature (20 degrees Celsius).

Use condition:

• Use in the following conditions

Handling air and Ambient air : -10 to +40 deg C, relative humidity

85% or less

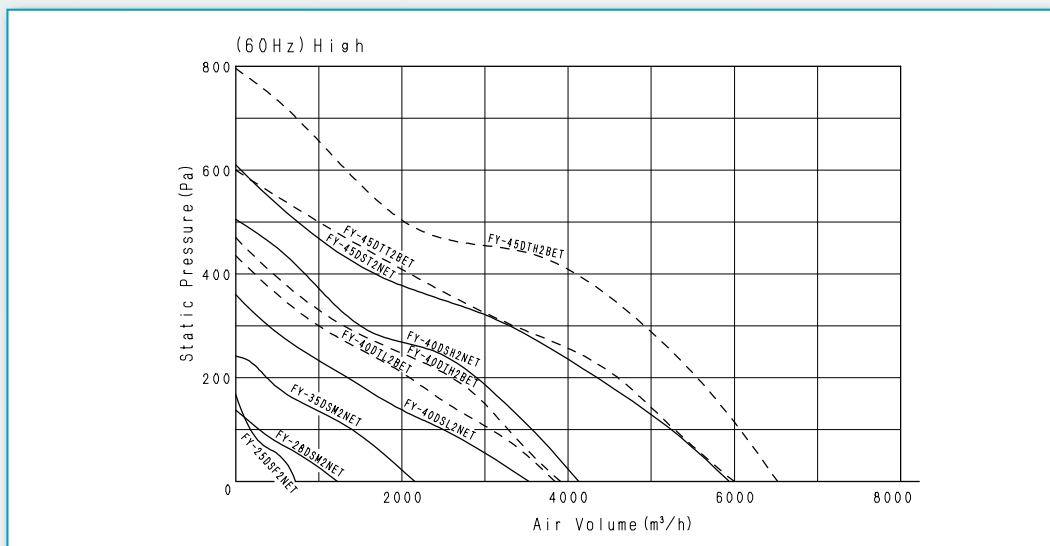
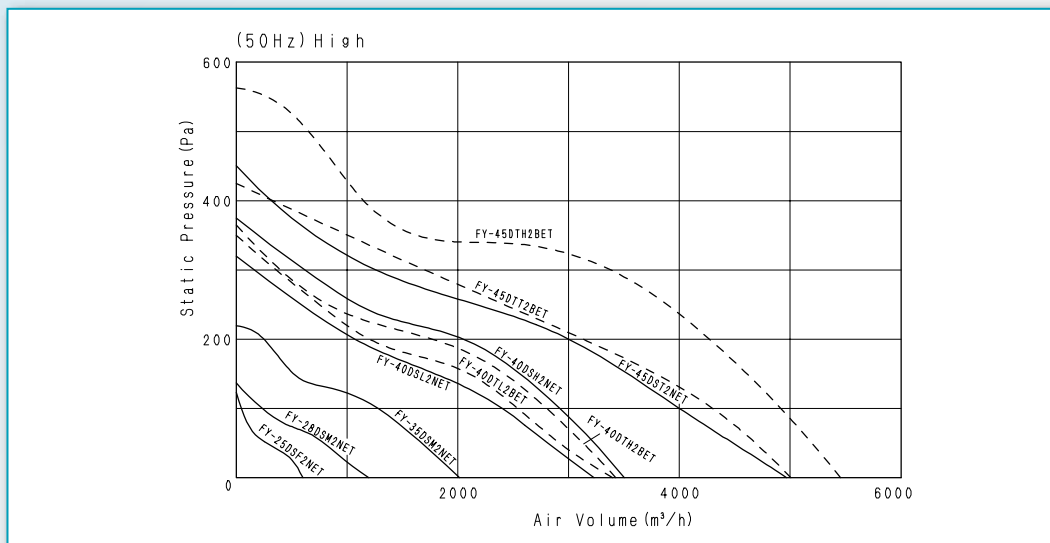
• Do not use the product in the places such as outdoor (where rain water splashes), where water splashes, steam is always generated, corrosive gas may be generated, or chemicals may be used.

• Do not use the product in the places such as pools or hot springs where the chemicals such as chlorine are used. It has high possibility

to cause corrosion in a short term.

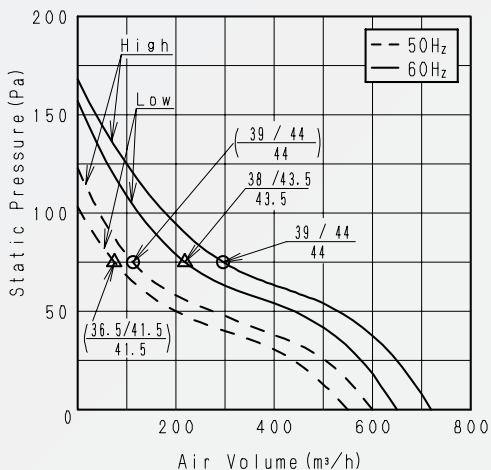
COMPACT AXIAL FLOW FAN

Comprehensive selection chart

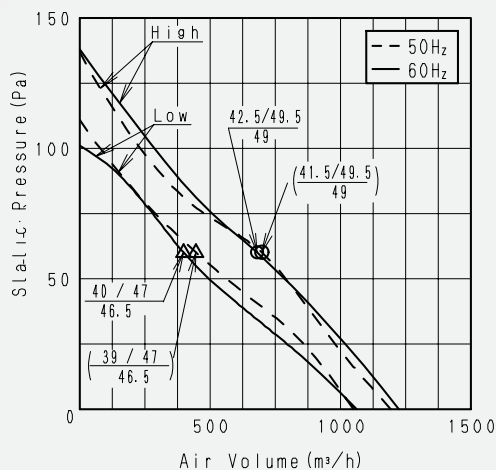


Performance Data

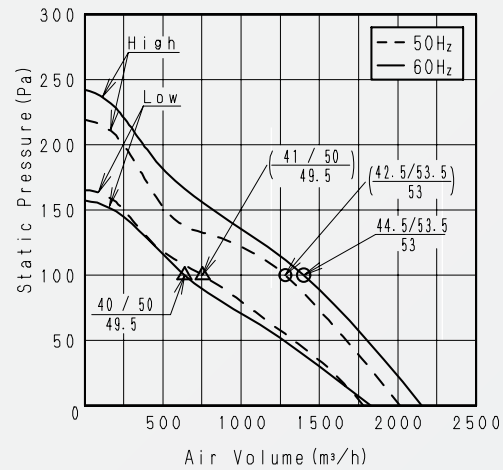
FY-25DSF2NET



FY-28DSM2NET

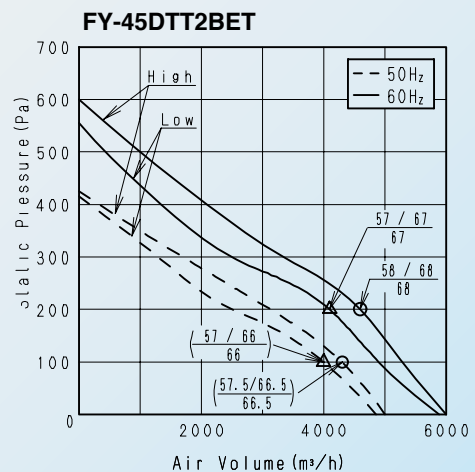
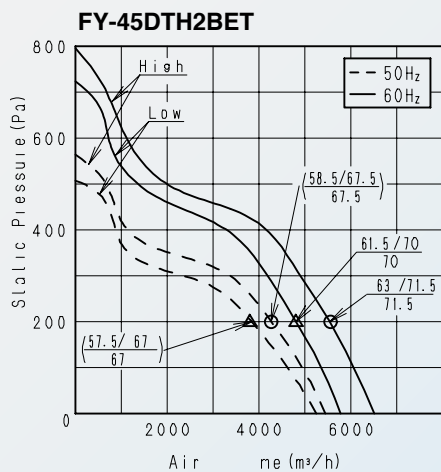
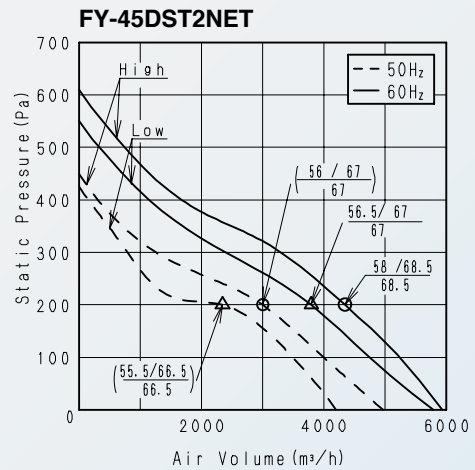
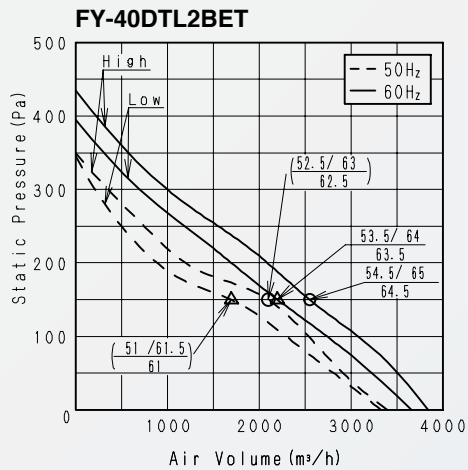
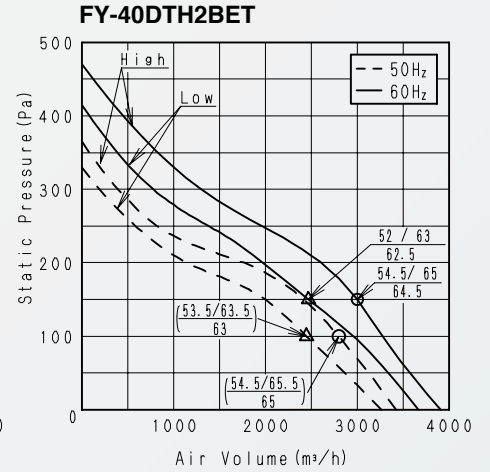
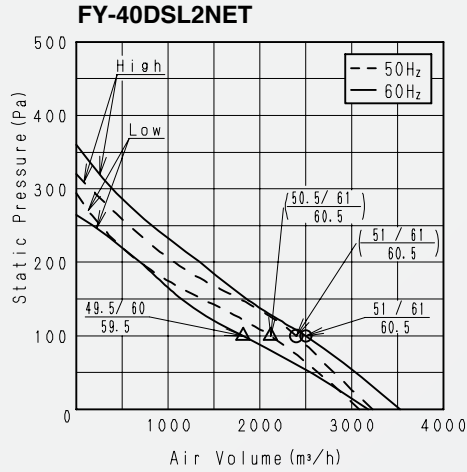
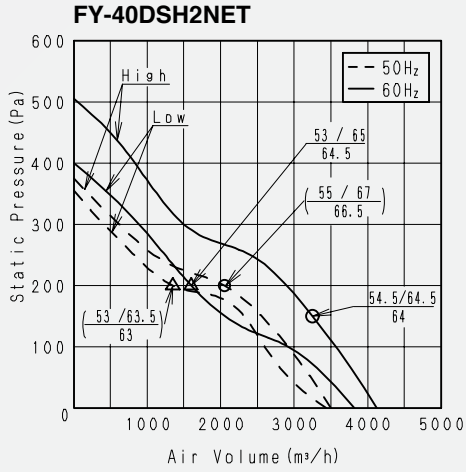


FY-35DSM2NET



COMPACT AXIAL FLOW FAN

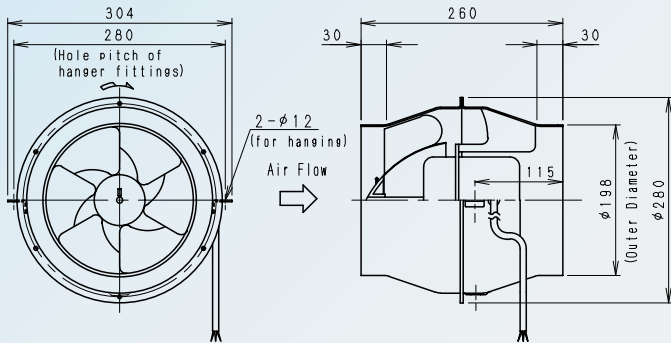
Performance Data



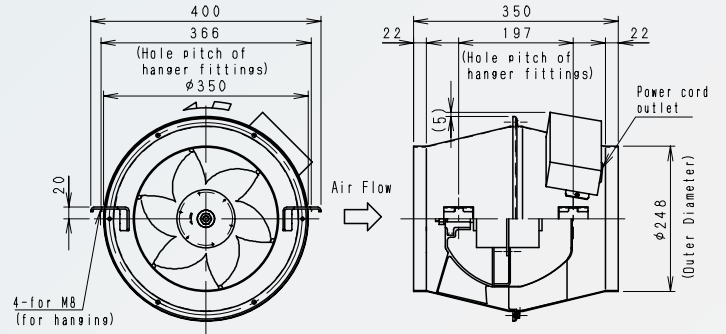
COMPACT AXIAL FLOW FAN

Dimension

FY-25DSF2NET

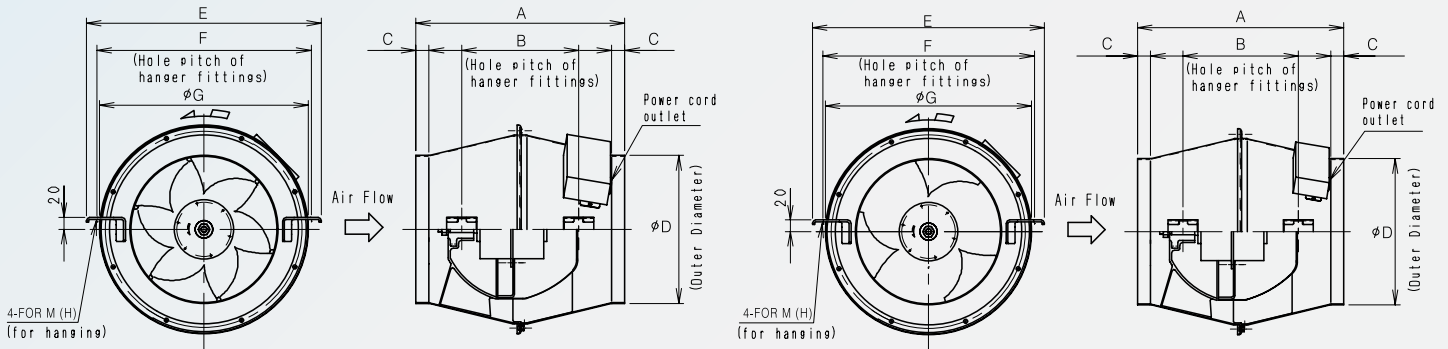


FY-28DSM2NET



unit: mm

FY-35DSM2NET, FY-40DSH2NET, FY-40DSL2NET, FY-40DTH2BET, FY-40DTL2BET, FY-45DST2NET, FY-45DTH2BET, FY-45DTT2BET

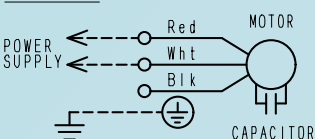


	A	B	C	D	E	F	G	H
FY-35DSM2NET	410	206	21.5	298	460	426	415	8
FY-40DSH2NET	480	206	26	347	525	491	480	8
FY-40DSL2NET	480	206	26	347	525	491	480	8
FY-40DTH2BET	480	206	26	347	525	491	480	8
FY-40DTL2BET	480	206	26	347	525	491	480	8
FY-45DST2NET	540	218	25.5	395	588	554	546	10
FY-45DTH2BET	540	218	25.5	395	588	554	546	10
FY-45DTT2BET	540	218	25.5	395	588	554	546	10

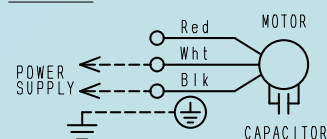
Wiring Diagram

FY-25DSF2NET

High-notch

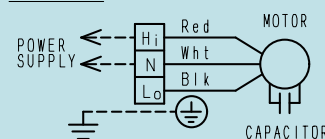


Low-notch

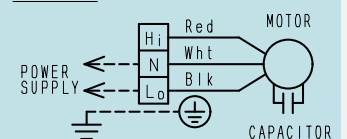


FY-28DSM2NET, FY-35DSM2NET, FY-40DSL2NET, FY-40DSH2NET, FY-45DST2NET

High-notch

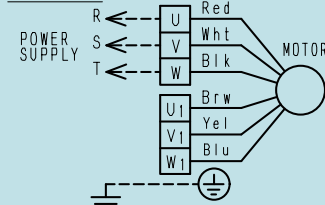


Low-notch

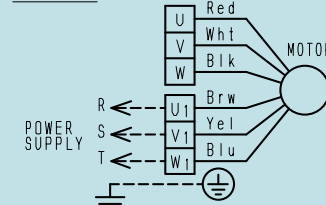


FY-40DTL2BET, FY-40DTH2BET, FY-45DTT2BET, FY-45DTH2BET

High-notch



Low-notch



MINI SIROCCO FAN

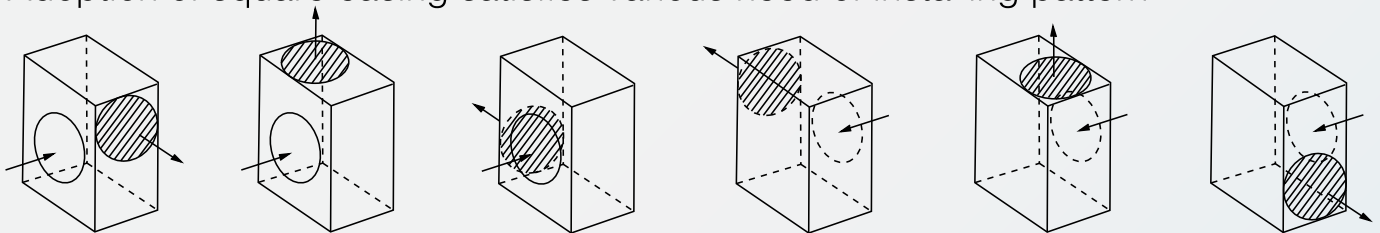
Single Phase Series & Three Phase Series



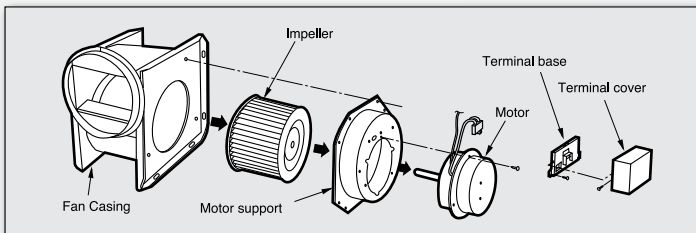
Single Phase
FY-10CG1
FY-12CG1
FY-14CG1
FY-16CG1

Three Phase
FY-21CT1

Adoption of square casing satisfies various need of installing pattern



Construction



Main components and materials

Components name	Material	Standard
Fan Casing	SGCC	JIS G 3302
Impeller	SGCC	JIS G 3302
Motor support	SGCC	JIS G 3302
Motor		

Specification

	MODEL No.	INPUT (W)		FAN SPEED (min ⁻¹)		AIR VOLUME (m ³ /h)		NOISE (d B)				IMPELLER DIAMETER (cm)	WEIGHT (kg)	SUCTION DUCT SIZE (mm)	DISCHARGE DUCT SIZE (mm)			
		50Hz	60Hz	50Hz	60Hz	50Hz	60Hz	Casing side		Suction side						Discharge side		
		50Hz	60Hz	50Hz	60Hz	50Hz	60Hz	50Hz	60Hz	50Hz	60Hz					50Hz	60Hz	
SINGLE PHASE	FY-10CG1	11	13	980	970	144	143	32	32	38	38	38	38	10	3.1	∅100	∅100	
	FY-12CG1	21	22	760	725	258	242	34	32	39	38	39	38	12	3.6	∅150	∅150	
	FY-14CG1	30	40	930	870	308	284	39	36	44.5	41.5	44.5	41.5	12	3.8	∅150	∅150	
	FY-16CG1	Hi	49	59	1080	1060	495	470	43.5	42.5	50	49	50	49	15	5.3	∅150	∅150
		Lo	41	40	875	805	365	335	38	36	44.5	42.5	44.5	42.5				
	FY-17CG1	Hi	87	95	920	850	763	722	46	44.5	51	49	51	49	18	8.8	∅200	∅200
		Lo	74	79	815	730	640	593	42.5	40	47	45	47	45				
	FY-19CG1	Hi	117	143	1110	1100	947	931	50.5	50	55.5	55	55.5	55	18	9.4	∅200	∅200
Lo		109	127	1030	985	821	791	49	48	54	53	54	53					
FY-21CG1	Hi	240	340	1325	1430	1420	1540	57	59	61	63	61	63	20	15	∅200	∅200	
	Lo	220	300	1230	1180	1260	1230	56	54	59.5	58.5	59.5	58.5					
THREE PHASE	FY-21CT1	Hi	253	370	1355	1485	1450	1590	57.5	59.5	61.5	63.5	61.5	63.5	20	14.5	∅200	∅200
		Lo	177	228	1070	1030	1090	1020	51.5	50	55.5	54	55.5	54				

Notes:

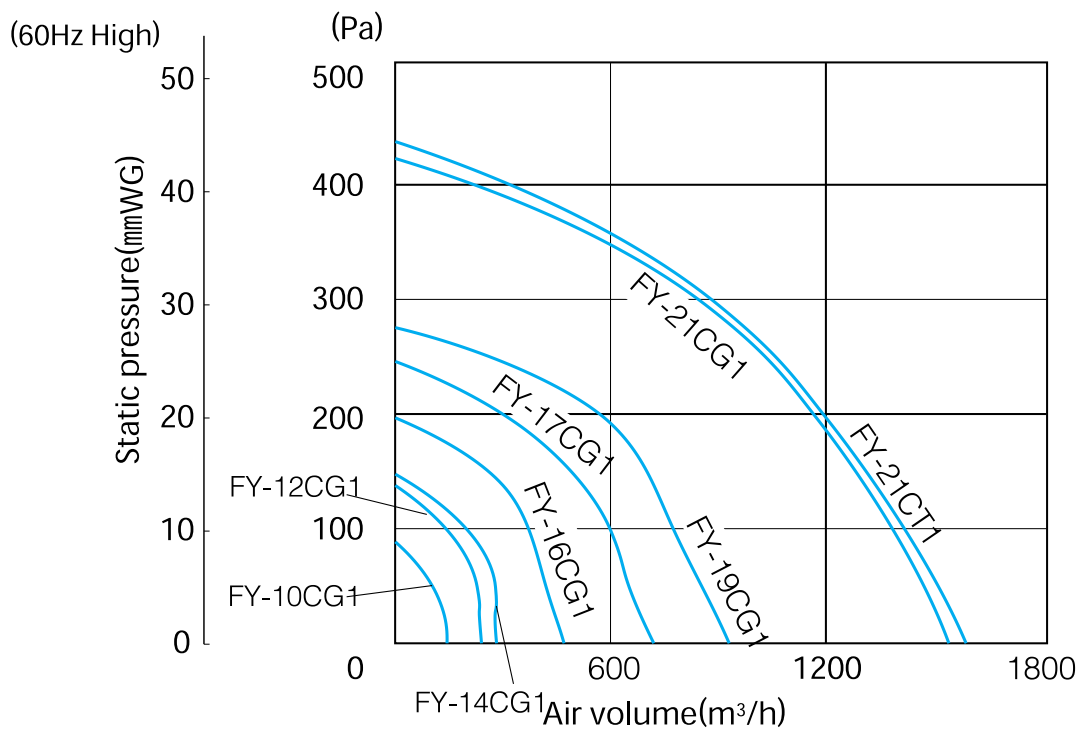
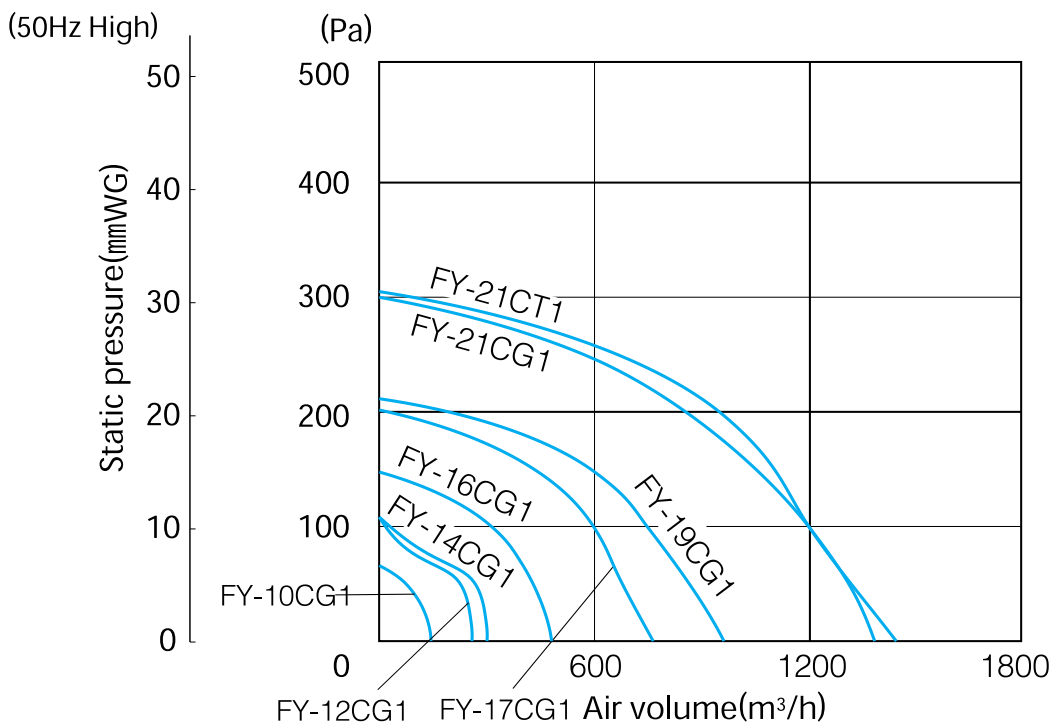
- Power consumption is expressed as open value.
- Air volume is measured using the Chamber method (JIS B 8330 or JIS C 9603) at 0Pa static pressure.
- Noise : Suction side - Noise at 1.5m at suction side. Casting side - Noise at 1.5m on the side of a machine body. Discharge side - Noise at 1.5m orthogonally at discharge side.

Cautions:

- Don't use it for ventilation at a site generating heat, oily smoke, steam and/or moisture. (Environmental condition: -10°C~+40°C, relative humidity below 85%)
- Install a door 600×600mm or more for maintenance purpose.
- Install a leak breaker or a motor breaker on the source site. A control panel such as a contact switch relay is required for three phase power source.
- In cold air supply to indoor during winter and at any other occasion susceptible to dew drop, heat insulation is required.
- It is recommended to use a commercially available filter at the suction side to avoid dust and/or oil waste attachment on a blade.
- Install it on a horizontal direction.
- Do not perform parallel operation of more than one unit on a switch, for it may result in motor failure.

MINI SIROCCO FAN

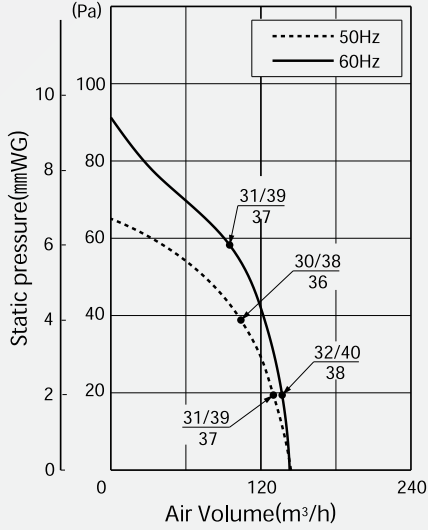
Comprehensive selection chart



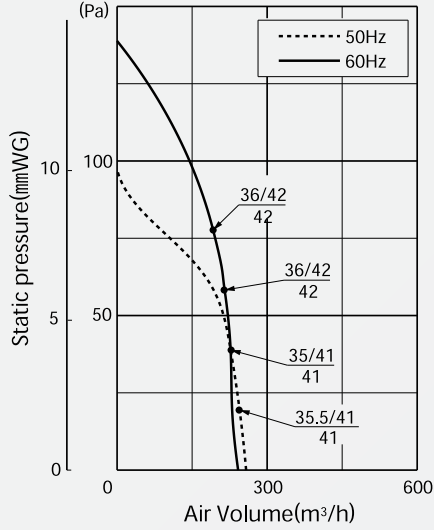
MINI SIROCCO FAN

Performance Data

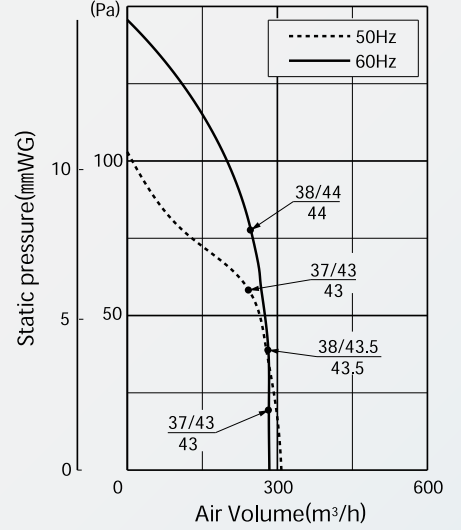
FY-10CG1



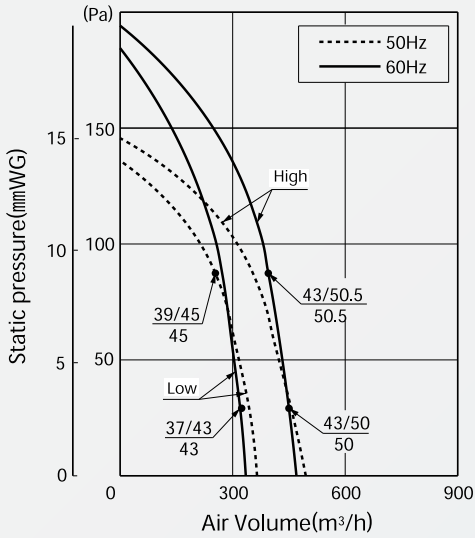
FY-12CG1



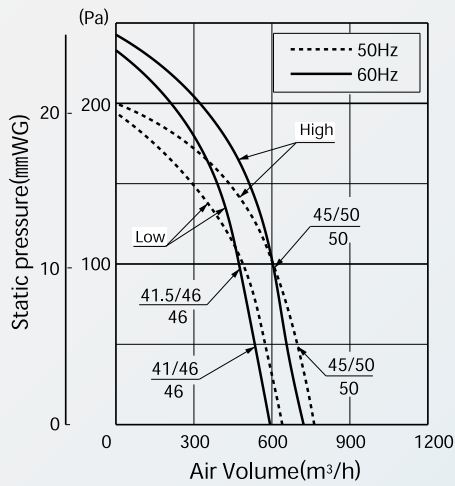
FY-14CG1



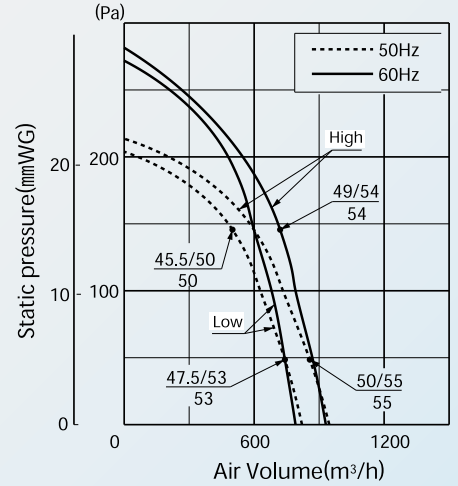
FY-16CG1



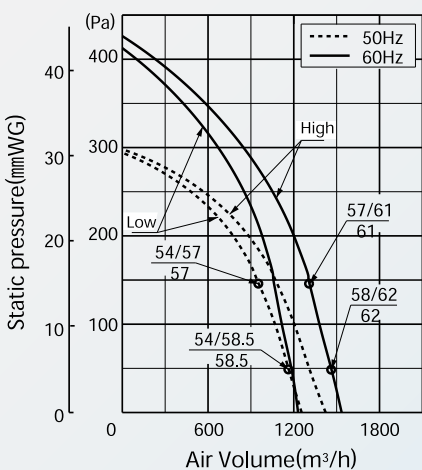
FY-17CG1



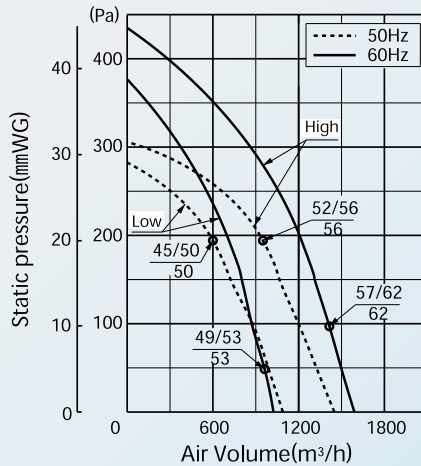
FY-19CG1



FY-21CG1



FY-21CT1

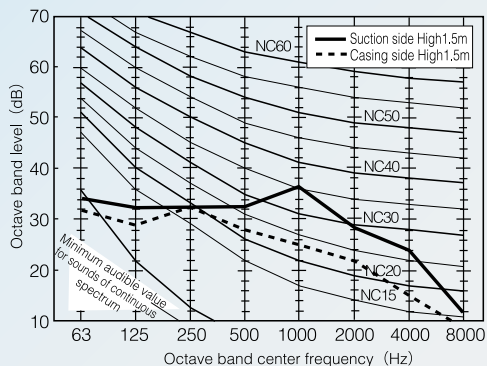


■ A figure on the curve indicates a noise level (dB).
It is calculated as $\frac{\text{Casing side/Suction side}}{\text{Discharge side}}$

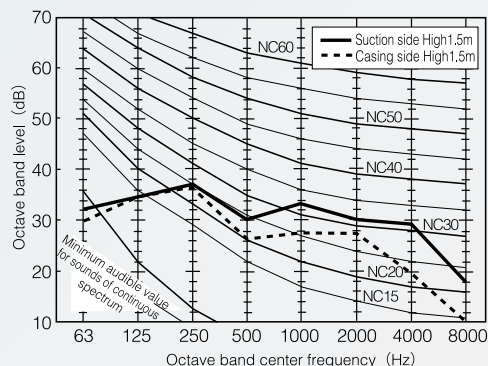
MINI SIROCCO FAN

NC Curve 50Hz

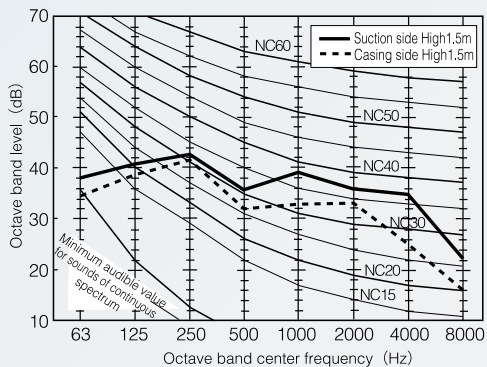
FY-10CG1



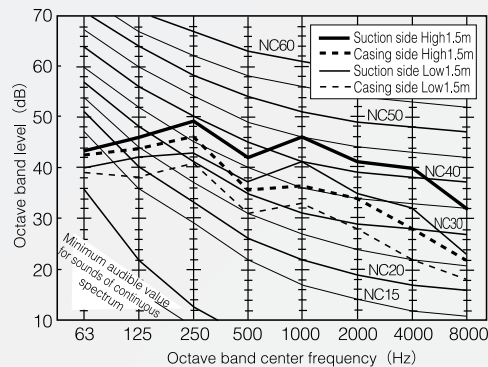
FY-12CG1



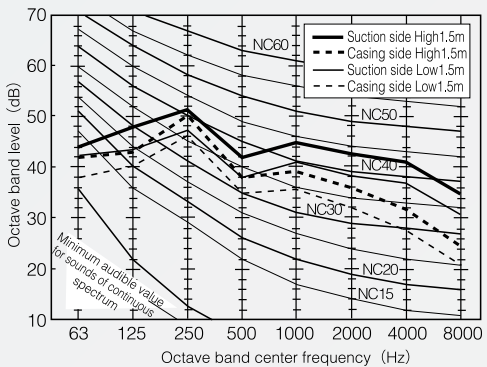
FY-14CG1



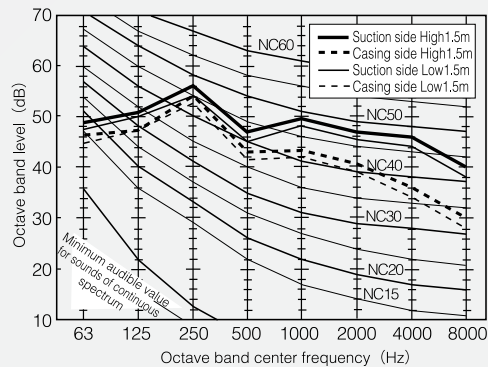
FY-16CG1



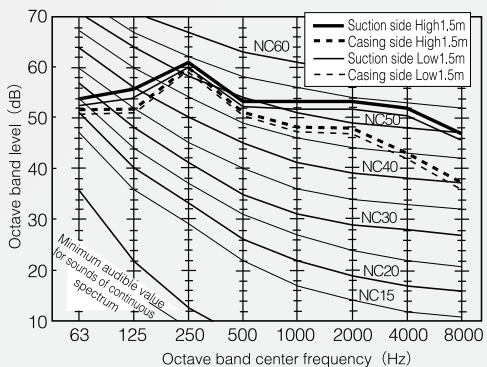
FY-17CG1



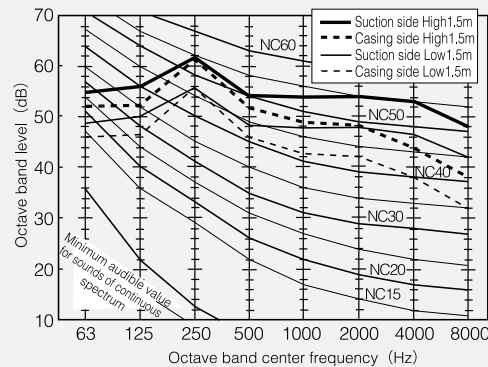
FY-19CG1



FY-21CG1



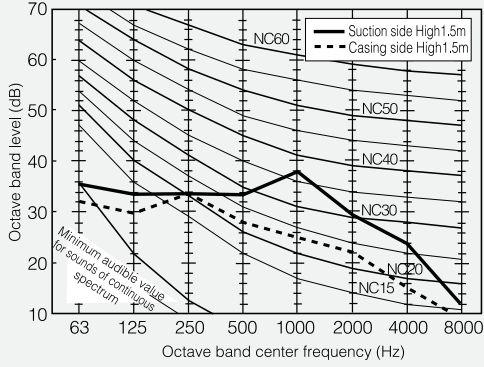
FY-21CT1



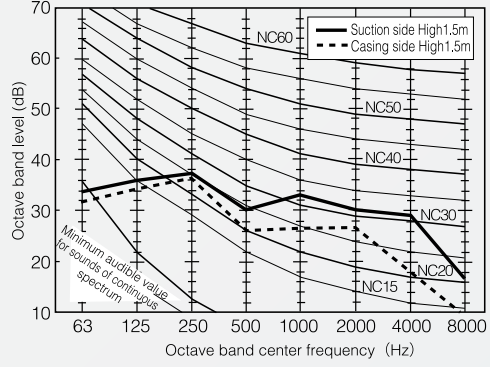
MINI SIROCCO FAN

NC Curve 60Hz

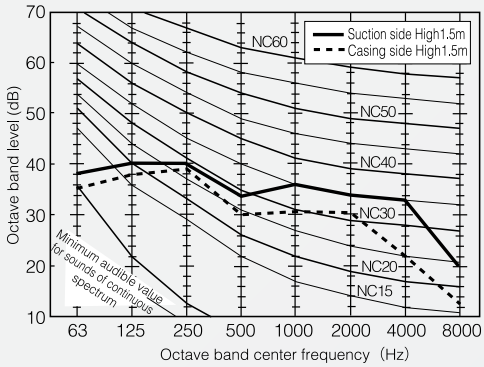
FY-10CG1



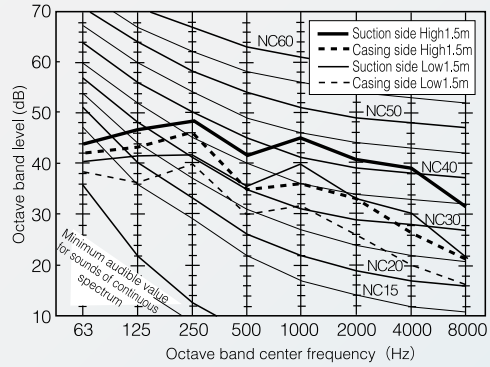
FY-12CG1



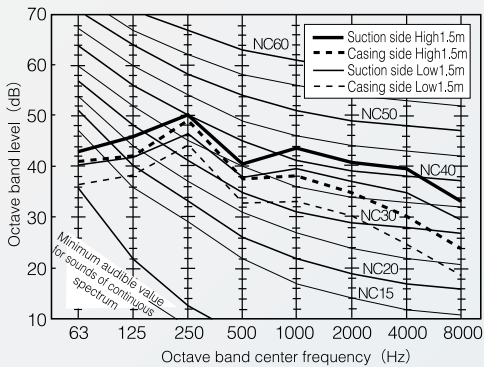
FY-14CG1



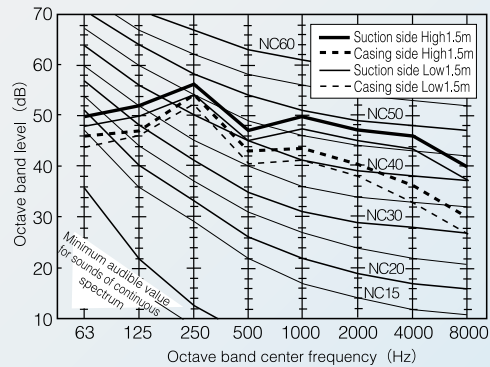
FY-16CG1



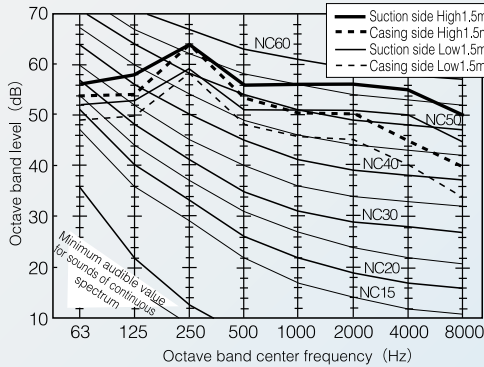
FY-17CG1



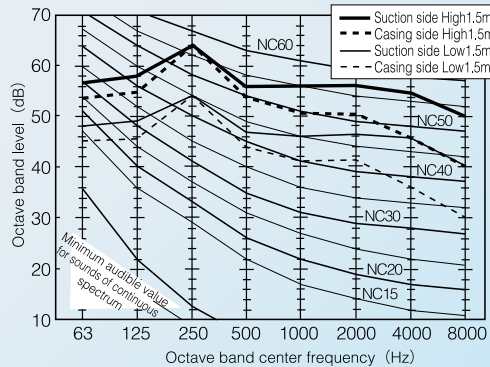
FY-19CG1



FY-21CG1



FY-21CT1

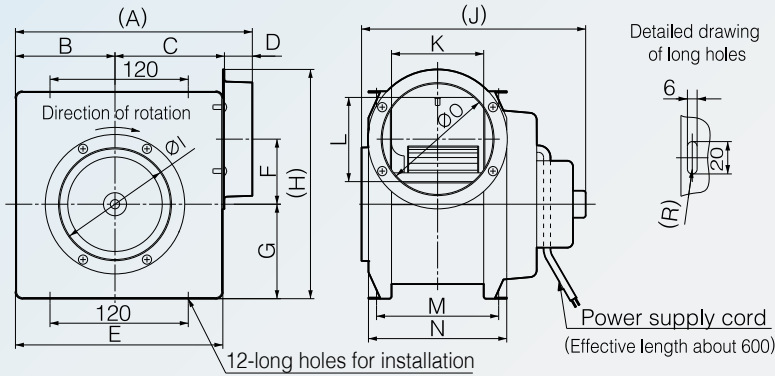


MINI SIROCCO FAN

Dimension

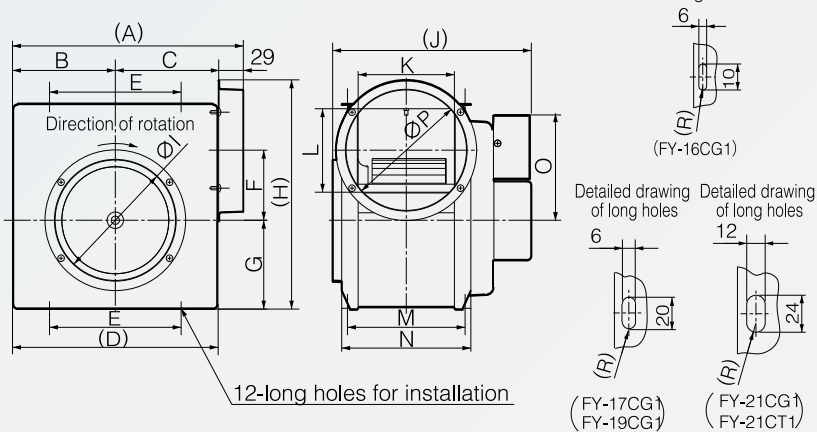
unit: mm

FY-10CG1 • 12CG1 • 14CG1



MODEL No.	A	B	C	D	E	F	G	H	I	J	K	L	M	N	O
FY-10CG1	206	86	95	24	180	56	82	199	98	199	80	74	106	120	98
FY-12CG1	261	112	119	29	230	76	100	261	148	230	105	98	131	145	148
FY-14CG1	261	112	119	29	230	76	100	261	148	230	105	98	131	145	148

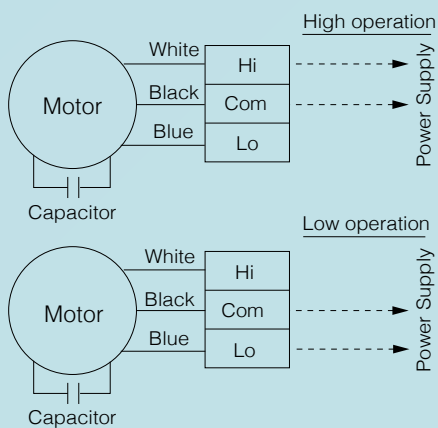
FY-16CG1 • 17CG1 • 19CG1 • 21CG1 • 21CT1



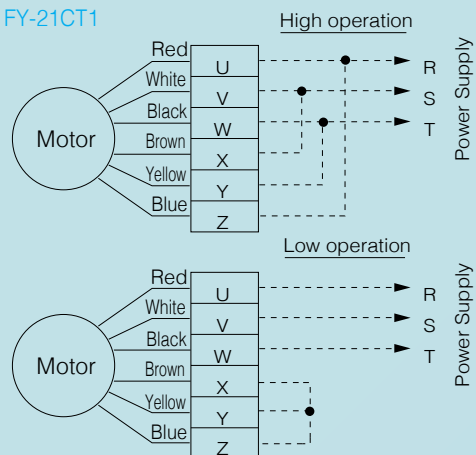
MODEL No.	A	B	C	D	E	F	G	H	I	J	K	L	M	N	O	P
FY-16CG1	281	125	126	250	160	85	108	279	148	237	117	102	143	157	128	148
FY-17CG1	331	151	150	300	160	106	130	346	198	310	165	116	187	205	142	198
FY-19CG1	331	151	150	300	160	106	130	346	198	310	165	116	187	205	142	198
FY-21CG1	361	166	165	330	200	121	145	378	198	360	190	110	226	250	161	198
FY-21CT1																

Wiring Diagram

FY-16CG1, FY-17CG1, FY-19CG1, FY-21CG1



FY-21CT1



ACCESSORIES

Pipe Hood



With Net

Without Net

With Net

FV-MGX100P
FV-MGX150P

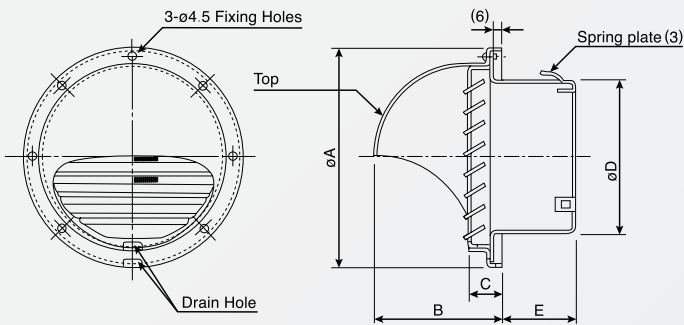
Without Net

FV-MCX100P
FV-MCX150P

- High strength - adopt 0.5mm thickness SUS 304 stainless steel
- Excellent anti-rust capability - hood part coated with metallic silver paint prevent oxidation of material
- Easy installation - 3pcs of spring clip facilitate duct / pipe connection
- 2.5mm x 2.5mm net keep out ingress of small particles and insects from outside (FV-MGX100P & FV-MGX150P)
- It is recommended to use pipe hood with net at intake terminal while without net at exhaust.

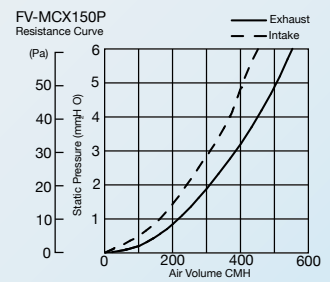
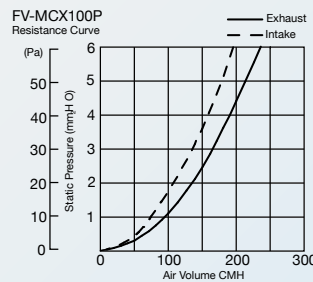
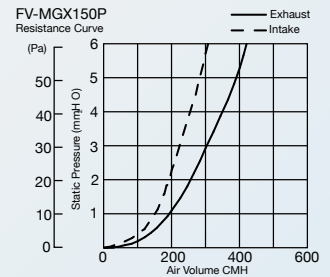
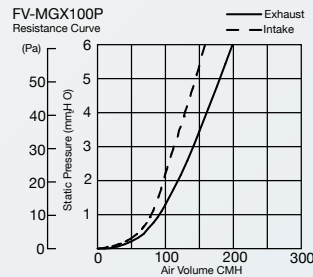
Dimension

Unit : mm



Model	A	B	C	D	E
FV-MGX100P	141	79	20	97	48
FV-MGX150P	190	106	23	147	53
FV-MCX100P	141	79	20	97	48
FV-MCX150P	190	106	23	147	53

Performance Data



Specification

Model No.	Diameter of Applicable Pipe [mm]	Material	Dimension of Net [mm]
FV-MGX100P	100	Stainless Steel	2.5 x 2.5
FV-MGX150P	150	Stainless Steel	2.5 x 2.5
FV-MCX100P	100	Stainless Steel	-
FV-MCX150P	150	Stainless Steel	-

ACCESSORIES

Vent Cap



With Net (VGX)



Without Net (VCX)

With Net

FV-VGX100P
FV-VGX150P

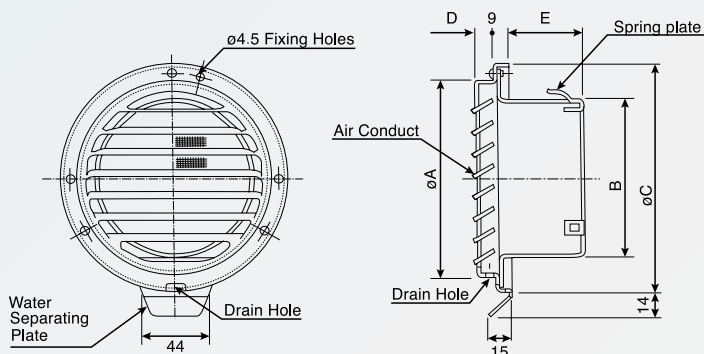
Without Net

FV-VCX100P
FV-VCX150P

- High strength - adopt 0.5mm thickness SUS 304 stainless steel
- Easy installation - 3pcs of spring clip facilitate duct / pipe connection
- 2.5mm x 2.5mm net keep out ingress of small particles and insects from outside (FV-VGX100P & FV-VGX150P)
- It is recommended to use vent cap with net at intake terminal while without net at exhaust.

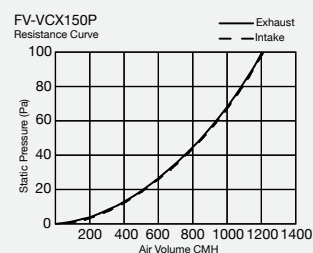
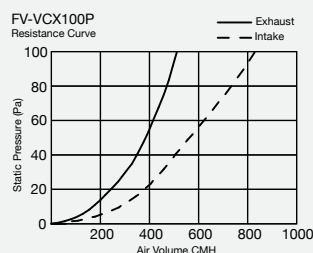
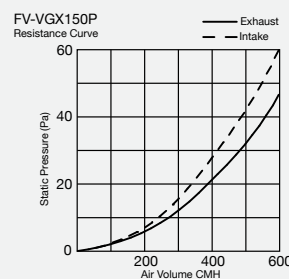
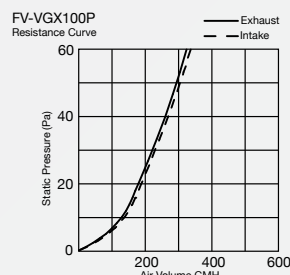
Dimension

Unit : mm



Model	A	B	C	D	E
FV-VGX100P	120	97	145	13	47
FV-VGX150P	169	147	195	18	52
FV-VCX100P	120	97	145	13	47
FV-VCX150P	169	147	195	18	52

Performance Data



Specification

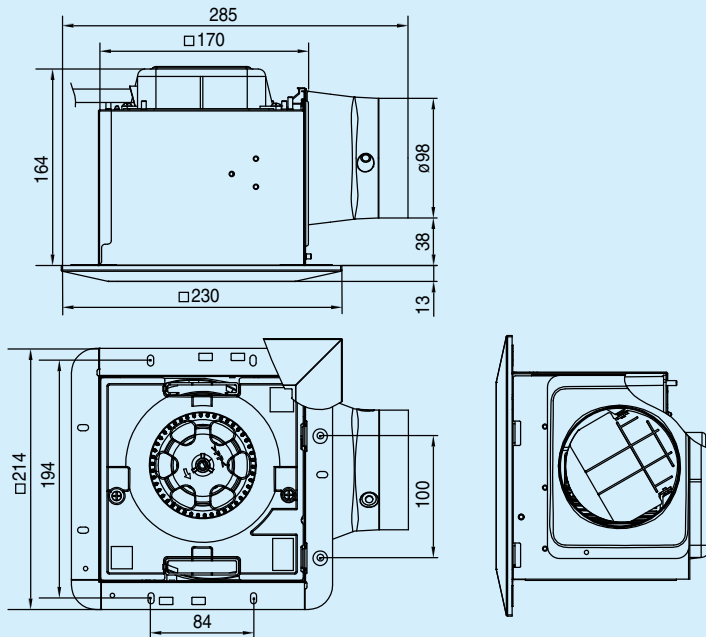
Model No.	Diameter of Applicable Pipe [mm]	Material	Dimension of Net [mm]
FV-VGX100P	100	Stainless Steel	2.5 x 2.5
FV-VGX150P	150	Stainless Steel	2.5 x 2.5
FV-VCX100P	100	Stainless Steel	-
FV-VCX150P	150	Stainless Steel	-

CEILING MOUNT VENTILATION FAN

Super Quiet Series

Product Dimension

UNIT: mm



FV-17CU8

- Super low noise design
- Long life ball bearing motor
- Taper blade sirocco fan
- Resonance-Noise-Absorption Structure
- Reverse flow prevention shutter
- Pre-installed power cord



Panasonic Ecology Systems Guangdong Co., Ltd. certifies that the Ceiling Mount Type models shown herein are licensed to bear the AMCA Seal. The ratings shown are based on tests and procedures performed in accordance with AMCA Publication 211 and AMCA Publication 311 and comply with the requirements of the AMCA Certified Ratings Program.

Specification

Model	Voltage	Frequency	CFM / SONE AT STATIC Pressure (ps-inches of H ₂ O)								RPM	Watts*	Watts**
			inches of H ₂ O	0	0.1	0.125	0.25	0.375	0.5	0.625			
FV-17CU8	220V	60Hz	CFM	41	28	25	---	---	---	---	815	11.4	10
			Sones	0.3	0.5	0.6	---	---	---	---			
	240V	50Hz	CFM	48	40	37	---	---	---	---	830	12.1	10.5
			Sones	0.3	0.4	0.6	---	---	---	---			

Performance certified is for installation type B: Free inlet, Ducted outlet. Performance ratings include the effects of an inlet grille and backdraft shutter. Speed (RPM) shown is nominal. Performance is based on actual speed of test. The sound ratings shown are loudness values in fan sones at 5 ft. (1.5m) in a hemispherical free field calculated per AMCA International Standard 301. Values shown are for installation type B: Free inlet hemispherical sone levels.

* the Watts rating is only for AMCA test method and it is at the static pressure of 0 inch of H₂O.

** the Watts rating is only for IEC test method and the AMCA Certified Ratings Seal does not apply to IEC test method watts.

CEILING MOUNT VENTILATION FAN

Super Quiet Series

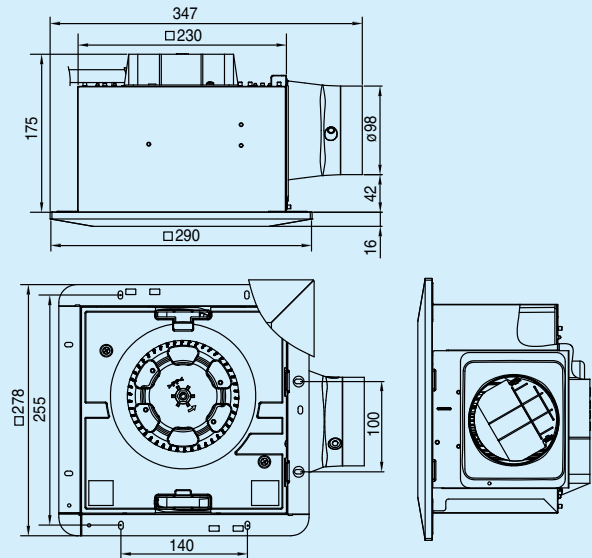


FV-24CU8 / FV24CD8 FV-24CH8

- Super low noise design
- Long life ball bearing motor
- Taper blade sirocco fan
- Resonance-Noise-Absorption Structure
- Reverse flow prevention shutter
- Pre-installed power cord

Product Dimension

UNIT: mm



Panasonic Ecology Systems Guangdong Co., Ltd. certifies that the Ceiling Mount Type models shown herein are licensed to bear the AMCA Seal. The ratings shown are based on tests and procedures performed in accordance with AMCA Publication 211 and AMCA Publication 311 and comply with the requirements of the AMCA Certified Ratings Program.

Specification

Model	Voltage	Frequency	CFM / SONE AT STATIC Pressure (ps-inches of H ₂ O)								RPM	Watts*	Watts**			
			inches of H ₂ O	0	0.1	0.125	0.25	0.375	0.5	0.625						
FV-24CU8	220V	60Hz	CFM	77	66	64	44	---	---	---	640	16.5	15.5			
			Sones	0.4	0.4	0.6	1.5									
	240V	50Hz	CFM	87	77	74	50	---	---	---				680	14.9	14
			Sones	0.5	0.7	0.7	1.5									
FV-24CD8	220V	60Hz	CFM	94	79	77	58	---	---	---	750	17.6	16.5			
			Sones	0.6	0.7	0.7	1.5									
	240V	50Hz	CFM	104	90	85	63	---	---	---				800	18.8	17.5
			Sones	0.8	0.9	1.0	1.6									
FV-24CH8	220V	60Hz	CFM	105	93	91	75	47	---	---	810	23.4	22			
			Sones	0.8	0.9	1.0	1.3	2.2								
	240V	50Hz	CFM	115	109	93	71	21	---	---				880	23.7	22
			Sones	1.2	1.2	1.2	1.3	1.8								

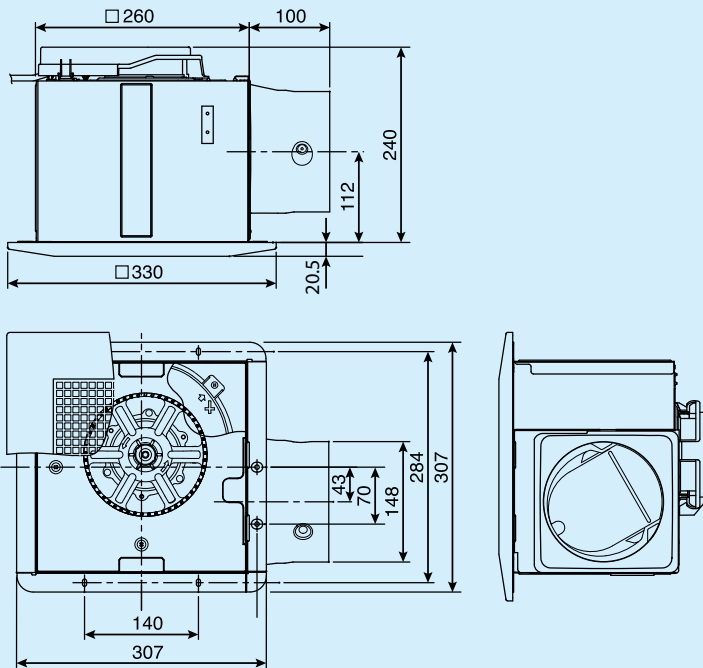
Performance certified is for installation type B: Free inlet, Ducted outlet. Performance ratings include the effects of an inlet grille and backdraft shutter. Speed (RPM) shown is nominal. Performance is based on actual speed of test. The sound ratings shown are loudness values in fan sones at 5 ft. (1.5m) in a hemispherical free field calculated per AMCA International Standard 301. Values shown are for installation type B: Free inlet hemispherical sone levels. * the Watts rating is only for AMCA test method and it is at the static pressure of 0 inch of H₂O. ** the Watts rating is only for IEC test method and the AMCA Certified Ratings Seal does not apply to IEC test method watts.

CEILING MOUNT VENTILATION FAN

Super Quiet Series

Product Dimension

UNIT: mm



FV-27CH9

- Super low noise design
- Long life ball bearing motor
- Taper blade sirocco fan
- Resonance-Noise-Absorption Structure
- Pre-installed power cord
- 2 speed selectable



Panasonic Ecology Systems Guangdong Co., Ltd. certifies that the Ceiling Mount Type models shown herein are licensed to bear the AMCA Seal. The ratings shown are based on tests and procedures performed in accordance with AMCA Publication 211 and AMCA Publication 311 and comply with the requirements of the AMCA Certified Ratings Program.

Specification

Model	Voltage	Frequency	Speed	CFM / SONE AT STATIC Pressure (ps-inches of H ₂ O)								RPM	Watts*	Watts**
				inches of H ₂ O	0	0.1	0.125	0.25	0.375	0.5	0.625			
FV-27CH9	220V	60Hz	Hi	CFM	180	160	154	117	76	34	-	578	36	33
				Sones	1.0	1.1	1.3	1.7	2.5	2.5				
	240V	50Hz	Hi	CFM	198	179	172	128	78	28	-	618	38	34
				Sones	1.4	1.5	1.6	1.8	2.6	2.6				

Performance certified is for installation type B: Free inlet, Ducted outlet. Performance ratings include the effects of an inlet grille and backdraft shutter. Speed (RPM) shown is nominal. Performance is based on actual speed of test. The sound ratings shown are loudness values in fan sones at 5 ft. (1.5m) in a hemispherical free field calculated per AMCA International Standard 301. Values shown are for installation type B: Free inlet hemispherical sone levels.

* the Watts rating is only for AMCA test method and it is at the static pressure of 0 inch of H₂O.

** the Watts rating is only for IEC test method and the AMCA Certified Ratings Seal does not apply to IEC test method watts.

CEILING MOUNT VENTILATION FAN

Super Quiet Series

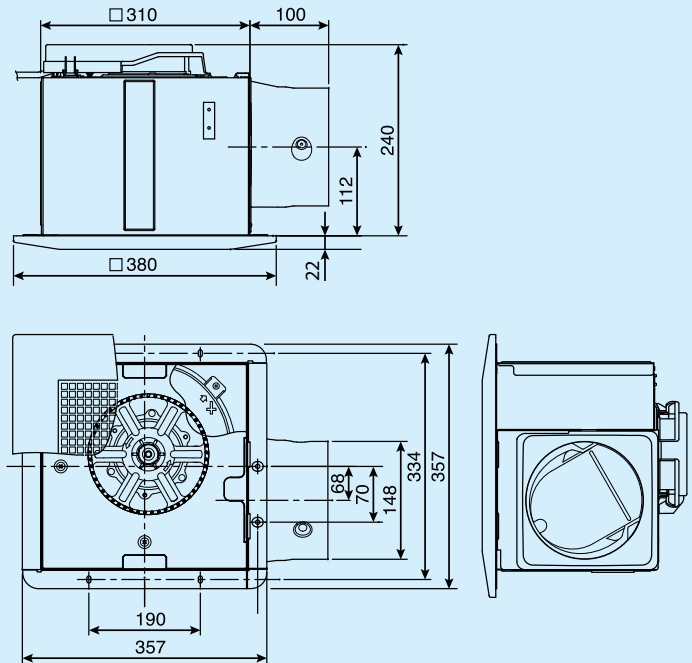


FV-32CD9

- Super low noise design
- Long life ball bearing motor
- Taper blade sirocco fan
- Resonance-Noise-Absorption Structure
- Pre-installed power cord
- 2 speed selectable

Product Dimension

UNIT: mm



Panasonic Ecology Systems Guangdong Co., Ltd. certifies that the Ceiling Mount Type models shown herein are licensed to bear the AMCA Seal. The ratings shown are based on tests and procedures performed in accordance with AMCA Publication 211 and AMCA Publication 311 and comply with the requirements of the AMCA Certified Ratings Program.

Specification

Model	Voltage	Frequency	Speed	CFM / SONE AT STATIC Pressure (ps-inches of H ₂ O)								RPM	Watts*	Watts**
				inches of H ₂ O	0	0.1	0.125	0.25	0.375	0.5	0.625			
FV-32CD9	220V	60Hz	Hi	CFM	229	201	195	159	123	86	49	609	53	48
				Sones	1.2	1.3	1.4	1.7	2.2	2.7	3.3			
	240V	50Hz	Hi	CFM	257	236	230	192	147	99	53	668	57	50
				Sones	1.6	1.7	1.8	1.9	2.5	3.0	3.6			

Performance certified is for installation type B: Free inlet, Ducted outlet. Performance ratings include the effects of an inlet grille and backdraft shutter. Speed (RPM) shown is nominal. Performance is based on actual speed of test. The sound ratings shown are loudness values in fan sones at 5 ft. (1.5m) in a hemispherical free field calculated per AMCA International Standard 301. Values shown are for installation type B: Free inlet hemispherical sone levels.

* the Watts rating is only for AMCA test method and it is at the static pressure of 0 inch of H₂O.

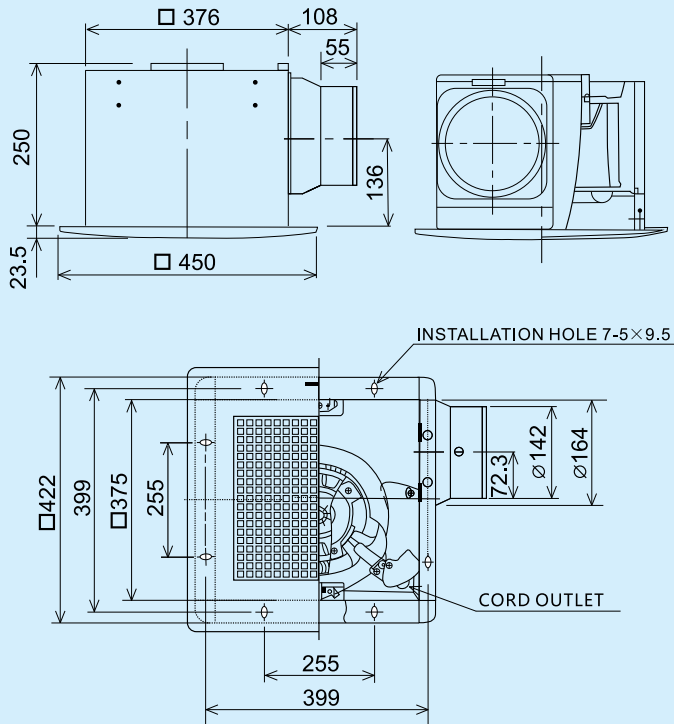
** the Watts rating is only for IEC test method and the AMCA Certified Ratings Seal does not apply to IEC test method watts.

CEILING MOUNT VENTILATION FAN

Standard Series

Product Dimension

UNIT: mm



FV-38CD8 / FV-38CD8 05

- High-Low speed selectable
- Condenser motor with thermal cut-off
- Well lubricated bearing for long life operation
- High performance sirocco fan



Panasonic Ecology Systems Guangdong Co., Ltd. certifies that the Ceiling Mount Type shown herein are licensed to bear the AMCA Seal. The ratings shown are based on tests and procedures performed in accordance with AMCA Publication 211 and AMCA Publication 311 and comply with the requirements of the AMCA Certified Ratings Program.

Specification

Model	Voltage	Frequency	Speed	CFM / SONE AT STATIC Pressure (ps-inches of H ₂ O)										RPM	Watts*	Watts**
				inches of H ₂ O	0	0.1	0.125	0.25	0.375	0.5	0.625	0.75	0.875			
FV-38CD8	220V	60Hz	Hi	CFM	356	334	329	305	273	236	199	162	125	670	109	98
				Sones	3.4	3.5	3.6	3.7	3.9	4.2	5.1	5.7	6.2			
FV-38CD8 FV-38CD8 05	240V	50Hz	Hi	CFM	387	367	362	336	305	259	212	165	117	730	119	104
				Sones	4.0	4.1	4.2	4.3	4.4	4.7	5.3	5.7	6.2			

Performance certified is for installation type B: Free inlet, Ducted outlet. Performance ratings include the effects of an inlet grille and backdraft shutter. Speed (RPM) shown is nominal. Performance is based on actual speed of test. The sound ratings shown are loudness values in fan sones at 5 ft. (1.5m) in a hemispherical free field calculated per AMCA International Standard 301. Values shown are for installation type B: Free inlet hemispherical sone levels.

* the Watts rating is only for AMCA test method and it is at the static pressure of 0 inch of H₂O.

** the Watts rating is only for IEC test method and the AMCA Certified Ratings Seal does not apply to IEC test method watts.

CEILING MOUNT VENTILATION FAN

DC Motor Series

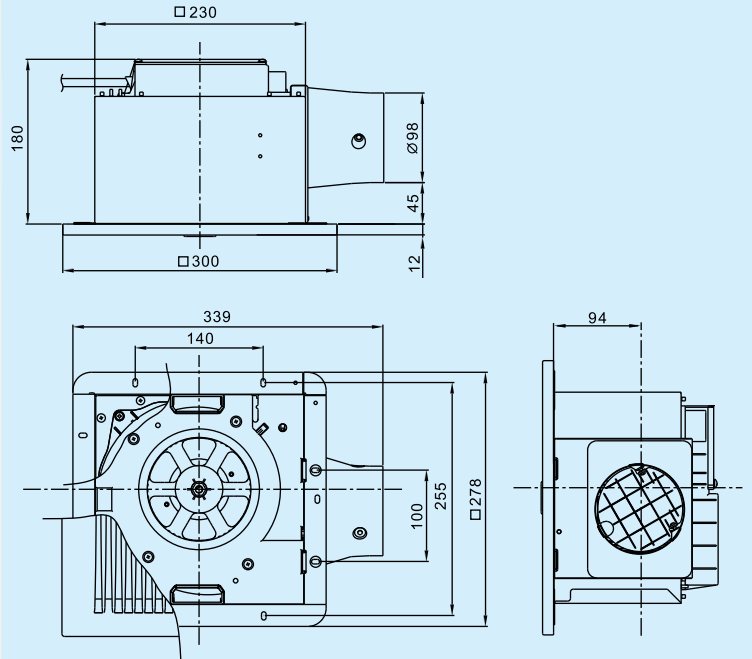


FV-24JR2

- DC (Direct Current) motor
- Auto operation by motion sensor
- Constant airflow
- Variable air volume
- Delay timer (15 minutes)
- Resonance – Noise – Absorption Structure

Product Dimension

UNIT: mm



Panasonic Ecology Systems Guangdong Co., Ltd. certifies that the Ceiling Mount Type models shown herein are licensed to bear the AMCA Seal. The ratings shown are based on tests and procedures performed in accordance with AMCA Publication 211 and AMCA Publication 311 and comply with the requirements of the AMCA Certified Ratings Program.

Specification

Model	Voltage	Frequency	Speed	CFM / SONE AT STATIC Pressure (ps-inches of H ₂ O)										RPM	Watts*	Watts**
				inches of H ₂ O	0	0.1	0.125	0.25	0.375	0.5	0.625	0.75	0.875			
FV-24JR2	220V	60Hz	Hi	CFM	88	88	88	88	63	34	5	-	-	853	10	8
				Sones	0.7	1.0	1.0	1.3	1.7	1.8	3.1	-	-			
	240V	50Hz	Hi	CFM	88	88	88	88	63	34	5	-	-	853	10	8
				Sones	0.7	1.0	1.0	1.3	1.7	1.8	3.1	-	-			

Performance certified is for installation type B: Free inlet, Ducted outlet. Performance ratings include the effects of an inlet grille and backdraft shutter. Speed (RPM) shown is nominal. Performance is based on actual speed of test. The sound ratings shown are loudness values in fan sones at 5 ft. (1.5m) in a hemispherical free field calculated per AMCA International Standard 301. Values shown are for installation type B: Free inlet hemispherical sone levels.

* the Watts rating is only for AMCA test method and it is at the static pressure of 0 inch of H₂O.

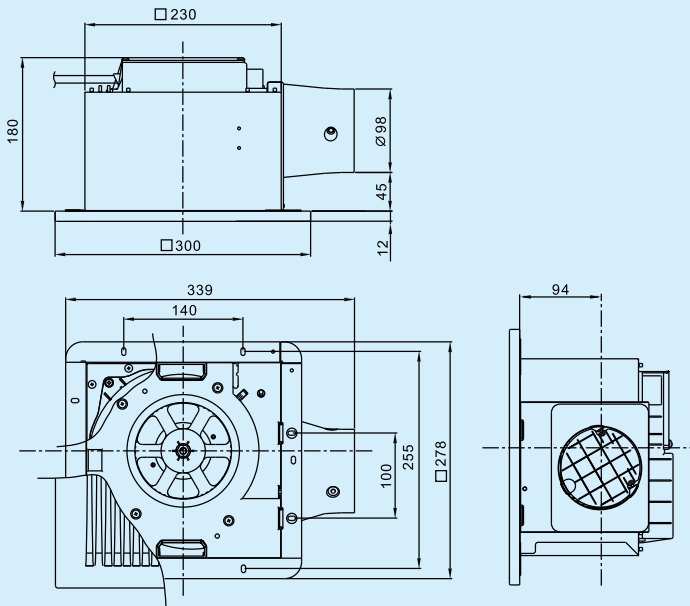
** the Watts rating is only for IEC test method and the AMCA Certified Ratings Seal does not apply to IEC test method watts.

CEILING MOUNT VENTILATION FAN

DC Motor Series

Product Dimension

UNIT: mm



FV-24JA2

- DC (Direct Current) motor
- Constant airflow
- Variable air volume
- Delay timer (15 minutes)
- Resonance - Noise - Absorption Structure



Panasonic Ecology Systems Guangdong Co., Ltd. certifies that the Ceiling Mount Type models shown herein are licensed to bear the AMCA Seal. The ratings shown are based on tests and procedures performed in accordance with AMCA Publication 211 and AMCA Publication 311 and comply with the requirements of the AMCA Certified Ratings Program.

Specification

Model	Voltage	Frequency	Speed	CFM / SONE AT STATIC Pressure (ps-inches of H ₂ O)										RPM	Watts*	Watts**
				inches of H ₂ O	0	0.1	0.125	0.25	0.375	0.5	0.625	0.75	0.875			
FV-24JA2	220V	60Hz	Hi	CFM	88	88	88	88	63	34	5	-	-	839	10	8
				Sones	0.6	0.9	1.0	1.4	1.6	1.9	3.2					
	240V	50Hz	Hi	CFM	88	88	88	88	63	34	5	-	-	839	10	8
				Sones	0.6	0.9	1.0	1.4	1.6	1.9	3.2					

Performance certified is for installation type B: Free inlet, Ducted outlet. Performance ratings include the effects of an inlet grille and backdraft shutter. Speed (RPM) shown is nominal. Performance is based on actual speed of test. The sound ratings shown are loudness values in fan sones at 5 ft. (1.5m) in a hemispherical free field calculated per AMCA International Standard 301. Values shown are for installation type B: Free inlet hemispherical sone levels.

* the Watts rating is only for AMCA test method and it is at the static pressure of 0 inch of H₂O.

** the Watts rating is only for IEC test method and the AMCA Certified Ratings Seal does not apply to IEC test method watts.

CEILING MOUNT VENTILATION FAN

Metal Series

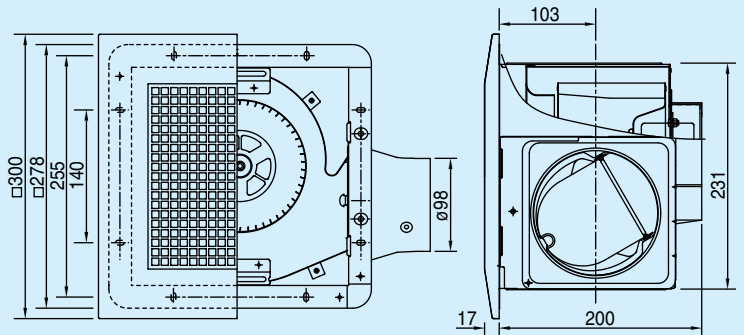


FV-24CMU1 / FV-24CMH1

- All metal structure design
- Long life ball bearing motor
- Metallic components within air stream provides extra safety against fire
- Reverse flow prevention shutter

Product Dimension

UNIT: mm



Panasonic Ecology Systems Guangdong Co., Ltd. certifies that the Ceiling Mount Type models shown herein are licensed to bear the AMCA Seal. The ratings shown are based on tests and procedures performed in accordance with AMCA Publication 211 and AMCA Publication 311 and comply with the requirements of the AMCA Certified Ratings Program.

Specification

Model	Voltage	Frequency	CFM / SONE AT STATIC Pressure (ps-inches of H ₂ O)								RPM	Watts*	Watts**
			inches of H ₂ O	0	0.1	0.125	0.25	0.375	0.5	0.625			
FV-24CMU1	220V	60Hz	CFM	55	40	37	20	-	-	-	495	13	12
			Sones	0.3	0.7	0.8	1.6						
	240V	50Hz	CFM	55	44	41	24	-	-	-	562	14	13
			Sones	0.3	0.8	1.0	1.4						
FV-24CMH1	220V	60Hz	CFM	94	85	83	72	54	-	-	681	25	23
			Sones	1.0	1.4	1.5	1.9	2.3					
	240V	50Hz	CFM	108	98	95	77	44	-	-	753	27	25
			Sones	1.4	1.8	1.9	2.1	2.2					

Performance certified is for installation type B: Free inlet, Ducted outlet. Performance ratings include the effects of an inlet grille and backdraft shutter. Speed (RPM) shown is nominal. Performance is based on actual speed of test. The sound ratings shown are loudness values in fan sones at 5 ft. (1.5m) in a hemispherical free field calculated per AMCA International Standard 301. Values shown are for installation type B: Free inlet hemispherical sone levels.

* the Watts rating is only for AMCA test method and it is at the static pressure of 0 inch of H₂O.

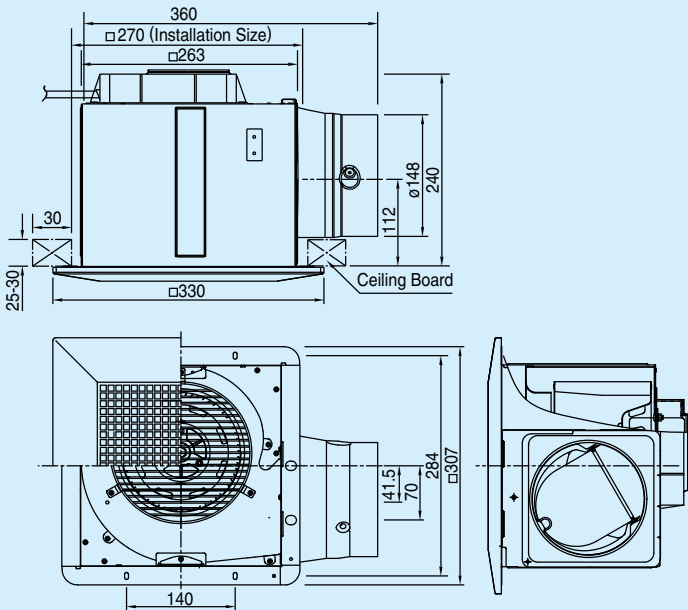
** the Watts rating is only for IEC test method and the AMCA Certified Ratings Seal does not apply to IEC test method watts.

CEILING MOUNT VENTILATION FAN

Metal Series

Product Dimension

UNIT: mm



FV-27CMH1

- All metal structure design
- Long life ball bearing motor
- Metallic components within air stream provides extra safety against fire
- Reverse flow prevention shutter



Panasonic Ecology Systems Guangdong Co., Ltd. certifies that the Ceiling Mount Type models shown herein are licensed to bear the AMCA Seal. The ratings shown are based on tests and procedures performed in accordance with AMCA Publication 211 and AMCA Publication 311 and comply with the requirements of the AMCA Certified Ratings Program.

Specification

Model	Voltage	Frequency	CFM / SONE AT STATIC Pressure (ps-inches of H ₂ O)								RPM	Watts*	Watts**
			inches of H ₂ O	0	0.1	0.125	0.25	0.375	0.5	0.625			
FV-27CMH1	220V	60Hz	CFM	208	184	178	144	108	79	-	615	46	43
			Sones	1.6	1.7	1.7	2.3	3.2	3.5				
	240V	50Hz	CFM	219	194	188	150	110	70	-	669	46	43
			Sones	1.9	1.9	2.0	2.4	3.4	3.1				

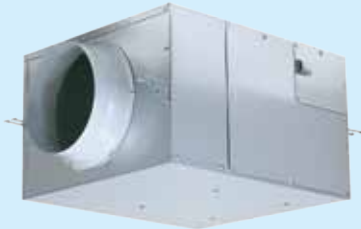
Performance certified is for installation type B: Free inlet, Ducted outlet. Performance ratings include the effects of an inlet grille and backdraft shutter. Speed (RPM) shown is nominal. Performance is based on actual speed of test. The sound ratings shown are loudness values in fan sones at 5 ft. (1.5m) in a hemispherical free field calculated per AMCA International Standard 301. Values shown are for installation type B: Free inlet hemispherical sone levels.

* the Watts rating is only for AMCA test method and it is at the static pressure of 0 inch of H₂O.

** the Watts rating is only for IEC test method and the AMCA Certified Ratings Seal does not apply to IEC test method watts.

LOW NOISE CABINET FAN

Single Phase Series

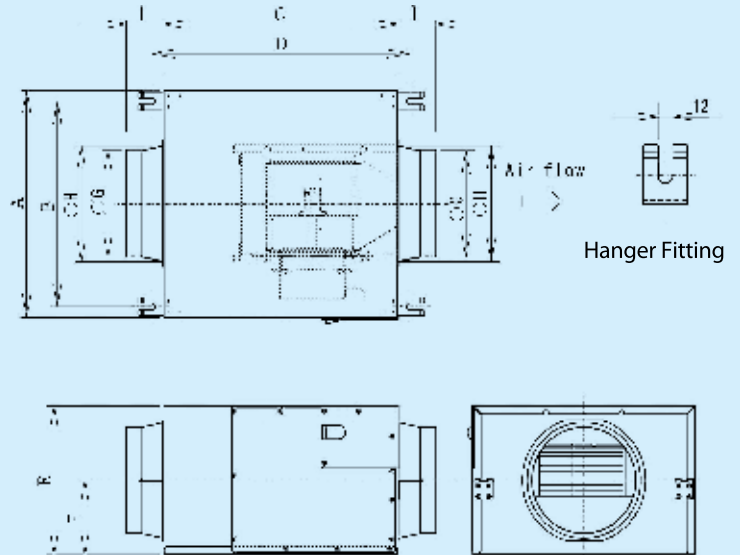


FV-12NS3 / FV-15NS3

- Long life condenser motor with thermal cut-off
- Twin flow fan (sirocco fan)
- Fan casing with tapered scroll
- Embedded terminal box
- Noise absorption material adopted
- Compact size

Product Dimension

UNIT: mm



Model	A	B	C	D	E	F	G	H	I
FV-12NS3	290	250	291	335	184	92	97	112	51
FV-15NS3	290	250	302	346	206	103	145	163	60



Panasonic Ecology Systems Guangdong Co., Ltd. certifies that the low noise series cabinet fan models shown herein are licensed to bear the AMCA Seal. The ratings shown are based on tests and procedures performed in accordance with AMCA Publication 211 and AMCA Publication 311 and comply with the requirements of the AMCA Certified Ratings Program.

Specification

Model	Voltage	Frequency	Speed	CFM / SONE AT STATIC Pressure (ps-inches of H ₂ O)										RPM	Watts*	Watts**		
				inches of H ₂ O	0	0.1	0.125	0.25	0.375	0.5	0.75	1	1.25				1.5	
FV-12NS3	220V	60Hz	Hi	CFM	114	105	102	87	65	-					1,460	26	23	
				Sones	1.5	1.4	1.4	1.3	1.4	-								
	240V	50Hz	Hi	CFM	102	90	86	67	39	-					1,342	27	22	
				Sones	2.0	1.7	1.6	1.4	1.5	-								
FV-15NS3	220V	60Hz	Hi	CFM	200	183	177	149	118	83	-					1,520	45	42
				Sones	2.7	2.5	2.4	2.3	2.2	2.0	-							
	240V	50Hz	Hi	CFM	193	177	172	139	94	20	-					1,373	47	37
				Sones	3.7	3.4	3.2	2.6	2.5	2.8	-							

Performance certified is for installation type D: Ducted inlet, Ducted outlet.

Performance ratings do not include the effects of appurtenances (accessories). Speed (RPM) shown is nominal.

Performance is based on actual speed of test. The sound ratings shown are loudness values in fan sones at 5 ft (1.5m) in a hemispherical free field calculated per AMCA International Standard 301. Values shown are for installation Type D: ducted inlet hemispherical sone levels. Ratings do not include the effect of duct end correction.

* the Watts rating is only for AMCA test method and it is at the static pressure of 0 inch of H₂O.

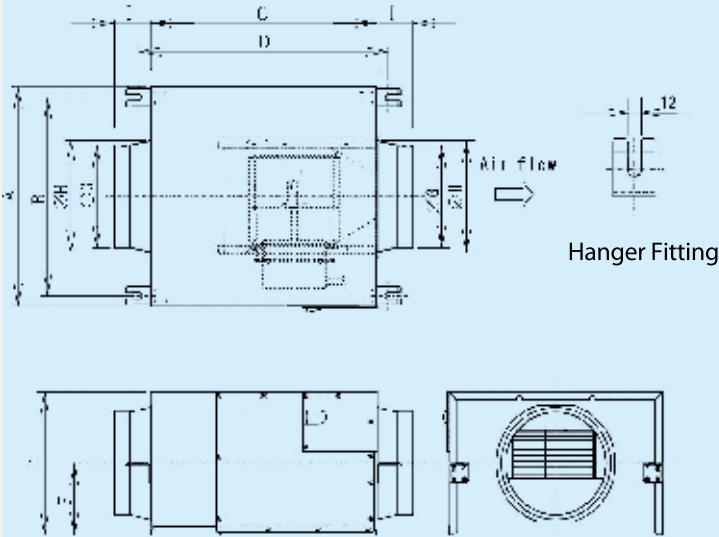
** the Watts rating is only for IEC test method and the AMCA Certified Ratings Seal does not apply to IEC test method watts.

LOW NOISE CABINET FAN

Single Phase Series

Product Dimension

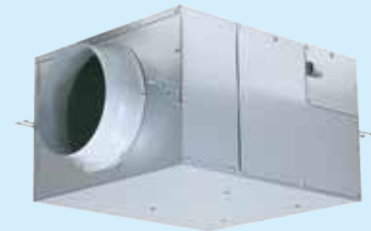
UNIT: mm



Model	A	B	C	D	E	F	G	H	I
FV-18NS3	316	276	338	382	232	116	145	163	60
FV-18NF3	376	336	397	441	254	127	195	211	70



Panasonic Ecology Systems Guangdong Co., Ltd. certifies that the low noise series cabinet fan models shown herein are licensed to bear the AMCA Seal. The ratings shown are based on tests and procedures performed in accordance with AMCA Publication 211 and AMCA Publication 311 and comply with the requirements of the AMCA Certified Ratings Program.



FV-18NS3 / FV-18NF3

- Long life condenser motor with thermal cut-off
- Twin flow fan (sirocco fan)
- Fan casing with tapered scroll
- Embedded terminal box
- Noise absorption material adopted
- Compact size

Specification

Model	Voltage	Frequency	Speed	CFM / SONE AT STATIC Pressure (ps-inches of H ₂ O)											RPM	Watts*	Watts**
				inches of H ₂ O	0	0.1	0.125	0.25	0.375	0.5	0.75	1	1.25	1.5			
FV-18NS3	220V	60Hz	Hi	CFM	274	261	258	241	222	196	137	-			1,470	80	73
				Sones	3.3	3.1	3.0	2.9	2.7	2.6	2.7	-					
	240V	50Hz	Hi	CFM	281	263	259	232	200	163	34	-			1,342	84	68
				Sones	4.8	4.4	4.4	3.8	3.4	3.0	2.9	-					
FV-18NF3	220V	60Hz	Hi	CFM	417	399	395	373	347	318	237	-			1,420	128	119
				Sones	4.0	3.9	3.9	3.9	3.6	3.5	3.4	-					
	240V	50Hz	Hi	CFM	429	406	400	381	344	290	78	-			1,327	135	104
				Sones	5.6	5.4	5.4	5.1	4.6	4.3	4.2	-					

Performance certified is for installation type D: Ducted inlet, Ducted outlet.

Performance ratings do not include the effects of appurtenances (accessories). Speed (RPM) shown is nominal.

Performance is based on actual speed of test. The sound ratings shown are loudness values in fan sones at 5 ft (1.5m) in a hemispherical free field calculated per AMCA International Standard 301. Values shown are for installation Type D: ducted inlet hemispherical sone levels. Ratings do not include the effect of duct end correction.

* the Watts rating is only for AMCA test method and it is at the static pressure of 0 inch of H₂O.

** the Watts rating is only for IEC test method and the AMCA Certified Ratings Seal does not apply to IEC test method watts.

LOW NOISE CABINET FAN

Single Phase Series

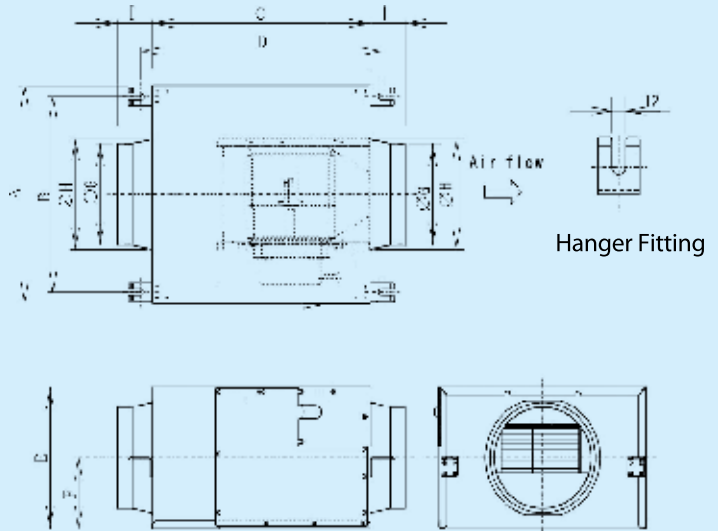


FV-20NS3 / FV-23NL3

- Long life condenser motor with thermal cut-off
- Twin flow fan (sirocco fan)
- Fan casing with tapered scroll
- Embedded terminal box
- Noise absorption material adopted
- Compact size

Product Dimension

UNIT: mm



Model	A	B	C	D	E	F	G	H	I
FV-20NS3	416	376	441	485	272	136	195	211	70
FV-23NL3	468	424	469	513	298	149	195	211	70



Panasonic Ecology Systems Guangdong Co., Ltd. certifies that the low noise cabinet fan series models shown herein are licensed to bear the AMCA Seal. The ratings shown are based on tests and procedures performed in accordance with AMCA Publication 211 and AMCA Publication 311 and comply with the requirements of the AMCA Certified Ratings Program.

Specification

Model	Voltage	Frequency	Speed	CFM / SONE AT STATIC Pressure (ps-inches of H ₂ O)										RPM	Watts*	Watts**	
				inches of H ₂ O	0	0.1	0.125	0.25	0.375	0.5	0.75	1	1.25				1.5
FV-20NS3	220V	60Hz	Hi	CFM	469	459	456	444	433	413	354	275	—	1,380	170	159	
				Sones	4.0	4.0	3.9	3.8	3.9	4.0	4.1	4.2	—				
	240V	50Hz	Hi	CFM	517	500	495	464	424	382	265	110	—	1,328	175	135	
				Sones	6.0	5.8	5.8	5.4	5.1	4.8	4.5	4.5	—				
FV-23NL3	220V	60Hz	Hi	CFM	655	642	640	625	611	597	555	505	440	—	1,400	350	310
				Sones	6.0	6.0	5.9	5.9	5.7	5.7	5.8	5.8	5.8	—			
	240V	50Hz	Hi	CFM	688	670	664	642	614	579	493	388	199	—	1,342	347	260
				Sones	8.8	8.6	8.4	8.1	8.0	7.6	7.2	6.7	6.6	—			

Performance certified is for installation type D: Ducted inlet, Ducted outlet. Performance ratings do not include the effects of appurtenances (accessories). Speed (RPM) shown is nominal. Performance is based on actual speed of test. The sound ratings shown are loudness values in fan sones at 5 ft (1.5m) in a hemispherical free field calculated per AMCA International Standard 301. Values shown are for installation Type D: ducted inlet hemispherical sone levels. Ratings do not include the effect of duct end correction.

* the Watts rating is only for AMCA test method and it is at the static pressure of 0 inch of H₂O.

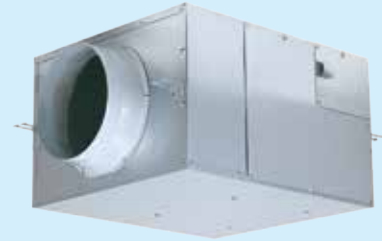
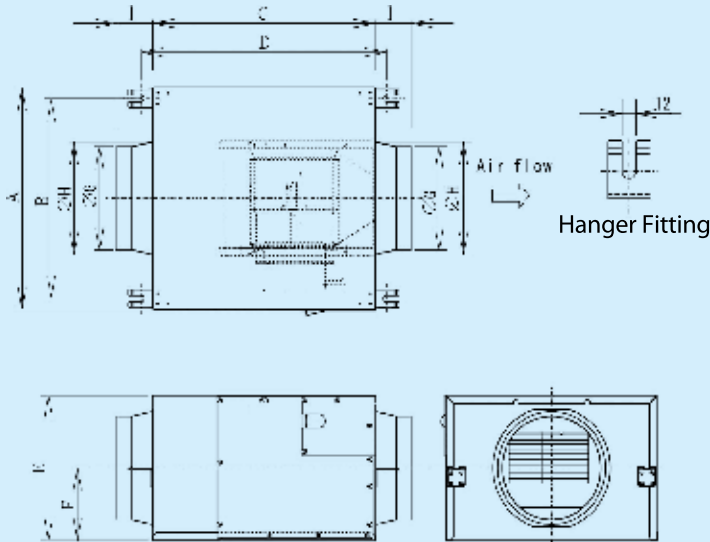
** the Watts rating is only for IEC test method and the AMCA Certified Ratings Seal does not apply to IEC test method watts.

LOW NOISE CABINET FAN

Single Phase Series

Product Dimension

UNIT: mm



FV-25NS3 / FV-25NF3

- Long life condenser motor with thermal cut-off
- Twin flow fan (sirocco fan)
- Fan casing with tapered scroll
- Embedded terminal box
- Noise absorption material adopted
- Compact size

Model	A	B	C	D	E	F	G	H	I
FV-25NS3	494	450	505	549	334	167	240	255	85
FV-25NF3	494	450	505	549	334	167	240	255	85



Panasonic Ecology Systems Guangdong Co., Ltd. certifies that the low noise series cabinet fan models shown herein are licensed to bear the AMCA Seal. The ratings shown are based on tests and procedures performed in accordance with AMCA Publication 211 and AMCA Publication 311 and comply with the requirements of the AMCA Certified Ratings Program.

Specification

Model	Voltage	Frequency	Speed	CFM / SONE AT STATIC Pressure (ps-inches of H ₂ O)											RPM	Watts*	Watts**
				inches of H ₂ O	0	0.1	0.125	0.25	0.375	0.5	0.75	1	1.25	1.5			
FV-25NS3	220V	60Hz	Hi	CFM	940	924	919	899	877	857	790	710	610	502	1,380	460	425
				Sones	7.1	7.1	7.1	7.0	6.8	6.8	6.7	6.7	6.7	6.9			
	240V	50Hz	Hi	CFM	963	938	935	906	868	822	719	567	395	-	1,305	481	370
				Sones	10.1	9.8	9.7	9.3	9.2	8.8	8.0	7.5	8.2				
FV-25NF3	220V	60Hz	Hi	CFM	1,016	1,000	995	975	954	933	875	803	710	590	1,420	680	520
				Sones	8.2	8.2	8.2	8.2	7.9	7.9	7.8	7.6	7.5	7.5			
	240V	50Hz	Hi	CFM	1,057	1,048	1,040	1,010	972	922	811	660	473	-	1,330	537	430
				Sones	12.1	11.9	11.5	11.1	10.6	9.8	8.7	8.7	10.3				

Performance certified is for installation type D: Ducted inlet, Ducted outlet. Performance ratings do not include the effects of appurtenances (accessories). Speed (RPM) shown is nominal. Performance is based on actual speed of test. The sound ratings shown are loudness values in fan sones at 5 ft (1.5m) in a hemispherical free field calculated per AMCA International Standard 301. Values shown are for installation Type D: ducted inlet hemispherical sone levels. Ratings do not include the effect of duct end correction.

* the Watts rating is only for AMCA test method and it is at the static pressure of 0 inch of H₂O.

** the Watts rating is only for IEC test method and the AMCA Certified Ratings Seal does not apply to IEC test method watts.

LOW NOISE CABINET FAN

Three Phase Series

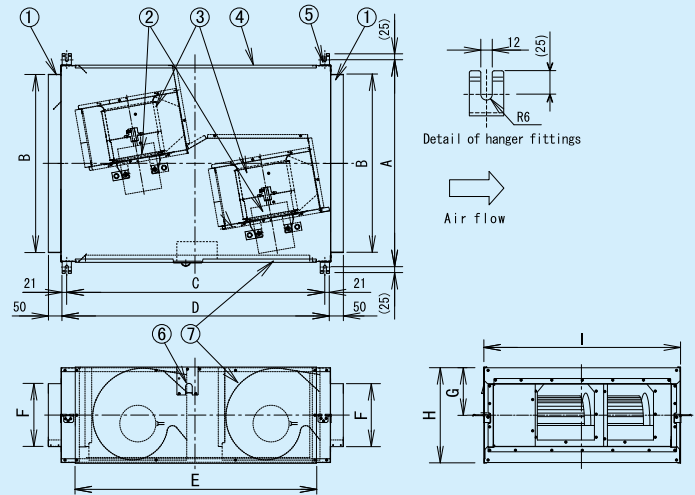


**FV-25SW3 /
FV-25SM3**

- Long life condenser motor with thermal cut-off
- Twin flow fan (sirocco fan)
- Fan casing with tapered scroll
- Embedded terminal box
- Noise absorption material adopted
- Compact size

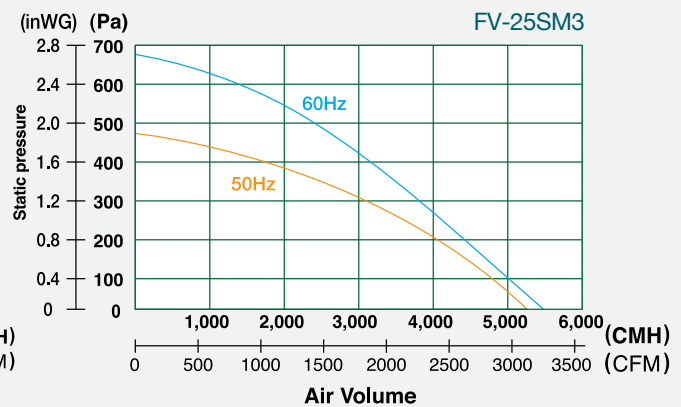
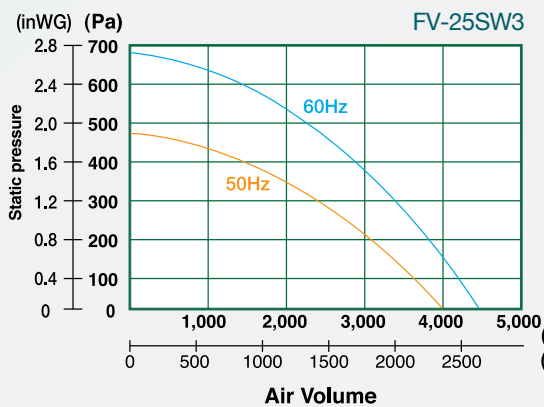
Product Dimension

UNIT: mm



Model	A	B	C	D	E	F	G	H	I
FV-25SW3	809	496	1,010	1,052	942	246	185	370	766
FV-25SM3	809	696	1,010	1,052	942	246	185	370	766

Performance Data [380V 50/60Hz]



Specification

Model No.	Phase	Voltage [V]	Frequency [Hz]	Consumption [W]	RPM [min ⁻¹]	Air Volume		Noise [dB(A)]	Weight [kg]	Duct Size [mm]	Impeller Diameter [mm]
						[CMH]	[CFM]				
FV-25SW3	3	380	50	940	1,375	4,000	2,354	43	60	250 x 500	250
			60	1,450	1,530	4,500	2,648	45			
FV-25SM3	3	380	50	1,180	1,345	5,200	3,060	45	60	250 x 700	250
			60	1,750	1,470	5,500	3,237	46			

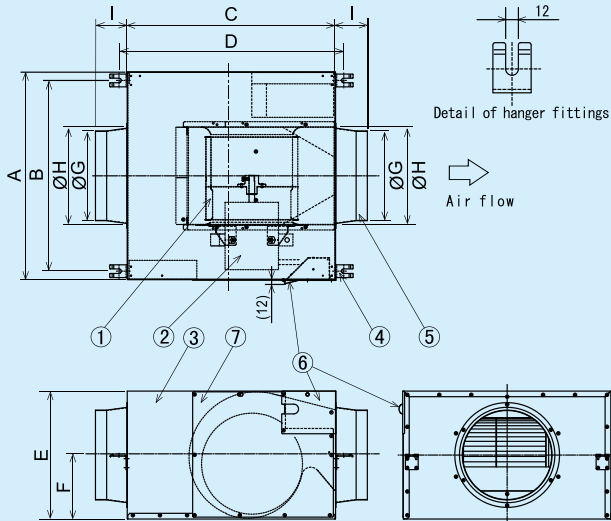
Note: The value in specification tables are representative characteristic value at 380V 50/60Hz
RPM data is for reference only. Values may vary subject to different conditions.

LOW NOISE CABINET FAN

Three Phase Series

Product Dimension

UNIT: mm



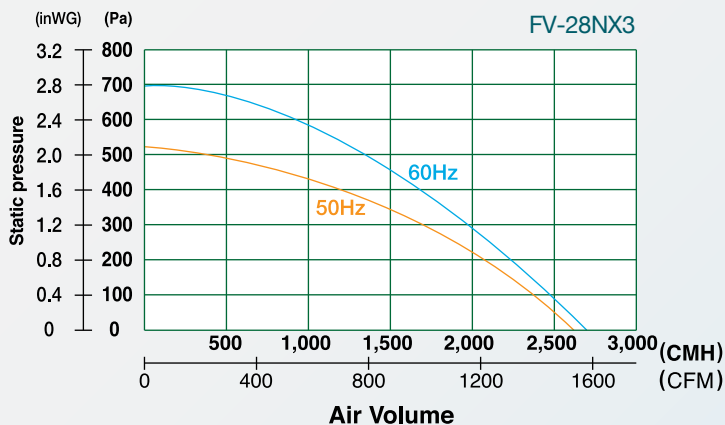
Model	A	B	C	D	E	F	G	H	I
FV-28NX3	554	510	557	601	342	171	240	255	85

FV-28NX3



- Long life condenser motor with thermal cut-off
- Twin flow fan (sirocco fan)
- Fan casing with tapered scroll
- Embedded terminal box
- Noise absorption material adopted
- Compact size

Performance Data [380V 50/60Hz]



Specification

Model No.	Phase	Voltage [V]	Frequency [Hz]	Consumption [W]	RPM [min ⁻¹]	Air Volume		Noise [dB(A)]	Weight [kg]	Duct Size [mm]	Impeller Diameter [mm]
						[CMH]	[CFM]				
FV-28NX3	3	380	50	600	1,295	2,600	1,530	44	28	ø250	280
			60	840	1,380	2,650	1,560	45			

Note: The value in specification tables are representative characteristic value at 380V 50/60Hz
RPM data is for reference only. Values may vary subject to different conditions.

INDUSTRIAL VENTILATING FAN

High Pressure Series

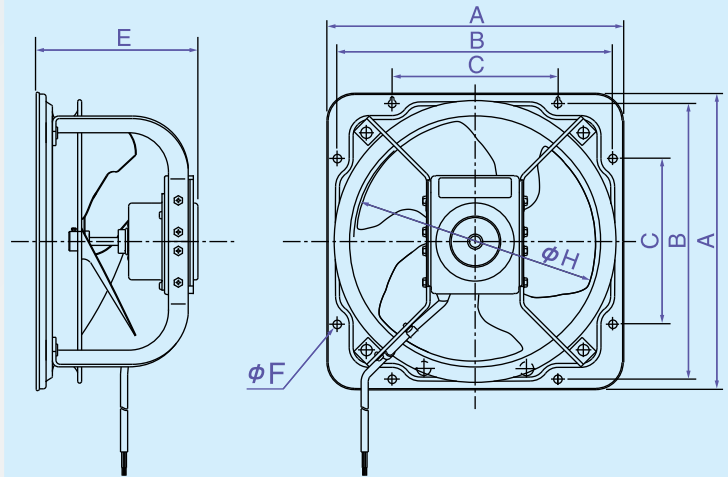


FV-25GS5 / FV-30GS5 FV-35GS5

- Single phase
- Reversible by adjusting wiring and blade
- Bell mouth construction with distinctive wave-shaped blade
- Durable powder coating
- High performance motor with thermal cutoff
- Ambient temperature range from -10°C to +50°C
- Possible to install horizontally or vertically
- Optional Shutter available

Product Dimension

UNIT: mm



Model	A	B	C	D	E	F	G	H
FV-25GS5	327	298	165	-	171	10	-	250
FV-30GS5	378	349	210	-	200	10	-	300
FV-35GS5	467	434	250	-	236	12	-	350



Panasonic Ecology Systems Guangdong Co., Ltd. certifies that the industrial series models shown herein are licensed to bear the AMCA Seal. The ratings shown are based on tests and procedures performed in accordance with AMCA Publication 211 and AMCA Publication 311 and comply with the requirements of the AMCA Certified Ratings Program.

Specification

Model	Voltage	Frequency	CFM/SONE AT STATIC Pressure (ps-inches of H ₂ O)								RPM	Watts*	Watts**
			inches of H ₂ O	0	0.05	0.075	0.1	0.125	0.25	0.375			
FV-25GS5	220V	60Hz	CFM	788	742	715	686	647	-	-	1570	61	57
			Sones	4.9	4.7	4.5	4.5	4.6	-	-			
	240V	50Hz	CFM	701	657	633	600	565	187	-	1400	48	44
			Sones	3.8	3.6	3.6	3.5	3.6	8.6	-			
FV-30GS5	220V	60Hz	CFM	1308	1247	1217	1184	1153	772	-	1460	129	119
			Sones	9.0	9.0	9.1	9.0	9.1	9.4	-			
	240V	50Hz	CFM	1177	1119	1090	1058	1026	561	243	1315	106	98
			Sones	5.5	5.5	5.6	5.6	5.8	11.1	12.0			
FV-35GS5	220V	60Hz	CFM	1850	1788	1752	1712	1669	1456	600	1640	178	161
			Sones	11.9	11.6	12.0	12.4	13.6	14.6	13.4			
	240V	50Hz	CFM	1615	1548	1506	1458	1411	1147	390	1435	130	122
			Sones	8.6	8.2	8.2	8.0	8.0	12.6	13.4			

Performance certified is for installation type A: Free Inlet, Free Outlet. Speed (RPM) shown is nominal. Performance is based on actual speed of test. The sound ratings shown are loudness values in fan sones at 5 ft. (1.5m) in a hemispherical free field calculated per AMCA International Standard 301. Values shown are for installation type A: Free Inlet hemispherical sone levels. * the Watts rating is only for AMCA test method and it is at the static pressure of 0 inch of H₂O.

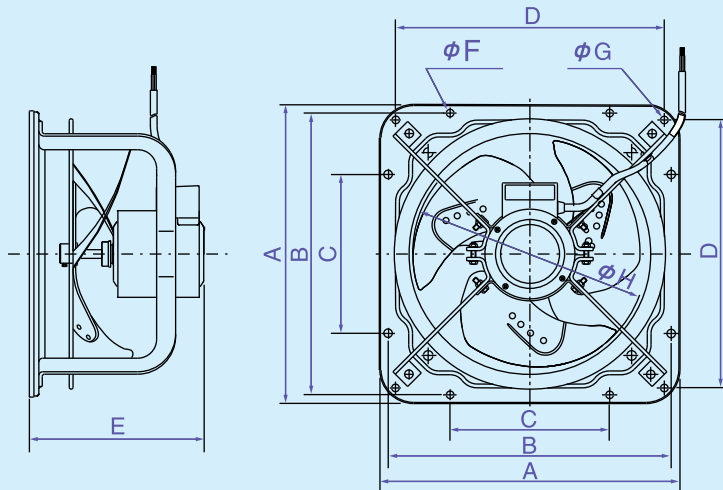
** the Watts rating is only for IEC test method and the AMCA Certified Ratings Seal does not apply to IEC test method watts.

INDUSTRIAL VENTILATING FAN

High Pressure Series

Product Dimension

UNIT: mm



Model	A	B	C	D	E	F	G	H
FV-40GS5	518	485	280	460	274	12	12	400



FV-40GS5

- Single phase
- Reversible by adjusting wiring and blade
- Bell mouth construction with distinctive wave-shaped blade
- Durable powder coating
- High performance motor with thermal cutoff
- Ambient temperature range from -10°C to +50°C
- Possible to install horizontally or vertically
- Optional Shutter available



Panasonic Ecology Systems Guangdong Co., Ltd. certifies that the industrial series models shown herein are licensed to bear the AMCA Seal. The ratings shown are based on tests and procedures performed in accordance with AMCA Publication 211 and AMCA Publication 311 and comply with the requirements of the AMCA Certified Ratings Program.

Specification

Model	Voltage	Frequency	CFM/SONE AT STATIC Pressure (ps-inches of H ₂ O)								RPM	Watts*	Watts**
			inches of H ₂ O	0	0.05	0.075	0.1	0.125	0.25	0.375			
FV-40GS5	220V	60Hz	CFM	2677	2581	2535	2488	2440	2170	2050	1550	294	270
			Sones	20.0	20.0	19.7	19.4	19.3	18.9	19.9			
	240V	50Hz	CFM	2135	2067	2035	2000	1965	1800	1480	1440	164	151
			Sones	9.0	8.5	8.7	8.7	8.7	13.0	14.2			

Performance certified is for installation type A: Free Inlet, Free Outlet. Speed (RPM) shown is nominal. Performance is based on actual speed of test. The sound ratings shown are loudness values in fan sones at 5 ft. (1.5m) in a hemispherical free field calculated per AMCA International Standard 301. Values shown are for installation type A: Free Inlet hemispherical sone levels.

* the Watts rating is only for AMCA test method and it is at the static pressure of 0 inch of H₂O.

** the Watts rating is only for IEC test method and the AMCA Certified Ratings Seal does not apply to IEC test method watts.

INDUSTRIAL VENTILATING FAN

High Pressure Series

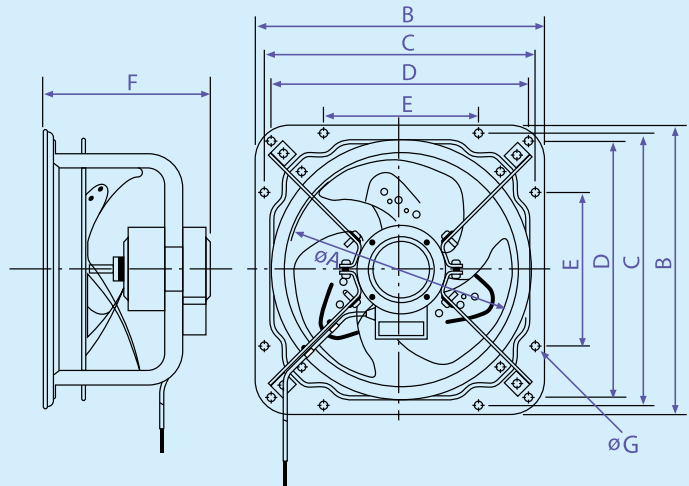


FV-45GS4 / FV-50GS4 / FV-60GS4

- Single phase
- Reversible by adjusting wiring and blade
- Bell mouth construction with distinctive wave-shaped blade
- Durable powder coating
- High performance motor with thermal cutoff
- Ambient temperature range from -10°C to +50°C
- Possible to install horizontally or vertically
- Optional Shutter available

Product Dimension

UNIT: mm



Model	A	B	C	D	E	F	G
FV-45GS4	450	570	540	-	320	297	12
FV-50GS4	500	659	620	560	355	315	15
FV-60GS4	620	760	720	650	400	320	15



Panasonic Ecology Systems Co., Ltd. certifies that the industrial series models shown herein are licensed to bear the AMCA Seal. The ratings shown are based on tests and procedures performed in accordance with AMCA Publication 211 and AMCA Publication 311 and comply with the requirements of the AMCA Certified Ratings Program.

Specification

Model no.	Voltage	Frequency	CFM/SONE AT STATIC Pressure (ps-inches of H ₂ O)				RPM	Watts*	Watts**	
			inches of H ₂ O	0	0.2	0.3		0.4	FOR AMCA	FOR IEC
FV-45GS4	220V	60Hz	CFM	3278	3131	3001	2795	1563	346	325
			Sones	10	10.4	10.6	10.8			
	240V	50Hz	CFM	2854	2648	2454	2030	1430	277	241
			Sones	7.8	7.7	7.8	9.4			
FV-50GS4	220V	60Hz	CFM	3884	3443	3090	2501	1080	347	326
			Sones	10.9	11.3	11.5	11.8			
	240V	50Hz	CFM	3354	2854	2266	912	968	293	271
			Sones	11.7	13.8	14.5	15.4			
FV-60GS4	220V	60Hz	CFM	5038	4349	3943	3560	1088	384	361
			Sones	10.1	9.8	9.5	10.1			
	240V	50Hz	CFM	4402	3855	3366	2972	980	289	263
			Sones	10.3	8.6	8.5	11.5			

Performance certified is for installation type A: Free Inlet, Free Outlet. The Speed (RPM) and Watts rating shown are at the static pressure of 0 inch of H₂O. The sound ratings shown are loudness values in fan sones at 5 ft. (1.5m) in a hemispherical free field calculated per AMCA International Standard 301. Values shown are for installation type A: Free Inlet hemispherical sone levels.

* the Watts rating is only for AMCA test method and it is at the static pressure of 0 inch of H₂O.

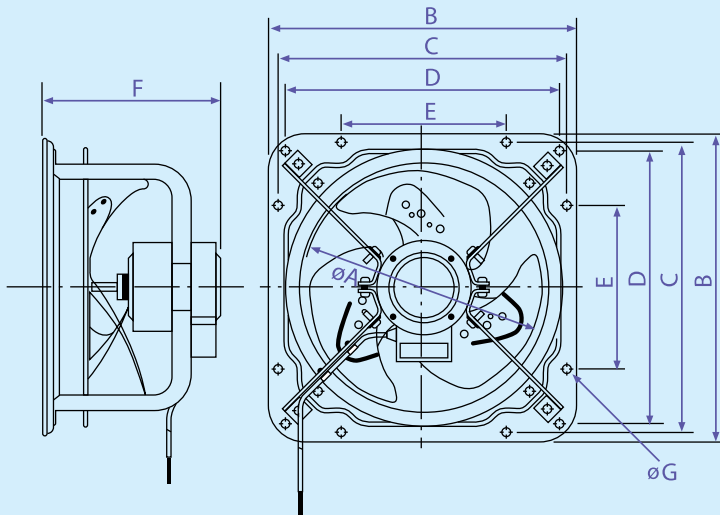
** the Watts rating is only for IEC test method and the AMCA Certified Ratings Seal does not apply to IEC test method watts.

INDUSTRIAL VENTILATING FAN

High Pressure Series

Product Dimension

UNIT: mm



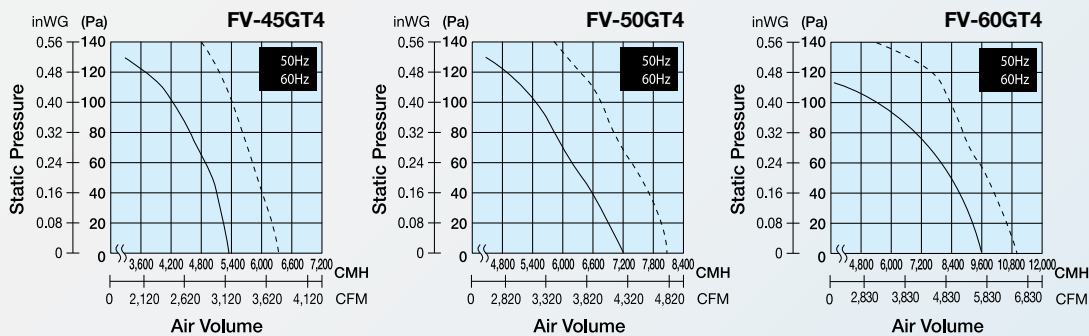
Model	A	B	C	D	E	F	G
FV-45GT4	450	570	540	-	320	297	12
FV-50GT4	500	659	620	560	355	304	15
FV-60GT4	620	760	720	650	400	320	15

FV-45GT4/ FV-50GT4/ FV-60GT4



- Three Phase
- Reversible by adjusting wiring and blade
- Bell mouth construction with distinctive wave-shaped blade
- Durable powder coating
- High performance motor with thermal cutoff
- Ambient temperature range from -10°C to +50°C
- Possible to install horizontally or vertically
- Optional Shutter available

Performance Data [380V 50/60Hz]



Specification

Model No.	Voltage [V]	Hz	Consumption [W]	RPM [min ⁻¹]	Air Volume		Noise [dB(A)]	Weight [Kg]
					[CMH]	[CFM]		
FV-45GT4	380	50	220	1,450	5,520	3,249	52	18.5
		60	330	1,690	6,420	3,779	56	
FV-50GT4	380	50	320	1,400	6,960	4,097	54	28.5
		60	475	1,590	8,010	4,715	58	
FV-60GT4	380	50	310	940	9,420	5,544	49	34
		60	450	1,070	10,920	6,427	53	

Note: The value in Specification table are representative characteristic value at 380V, 50/60Hz.
RPM data is for reference only. Values may vary subject to different conditions.

INDUSTRIAL VENTILATING FAN

Shutter Series

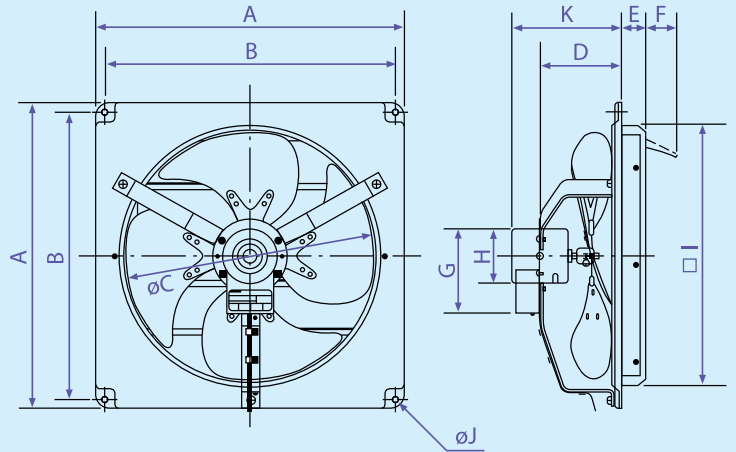


FV-30KUT / FV-40KUT

- Used in factories, warehouses or other locations in where powerful ventilation is necessary
- Metal large blade assembly for abundant air volume
- Powerful, efficient and durable condenser motor
- Ambient temperature range from -10°C to +50°C

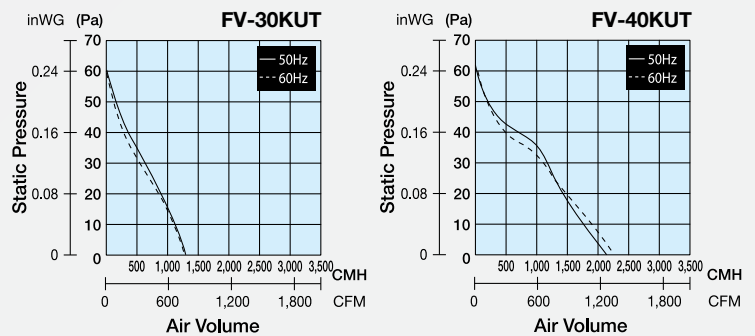
Product Dimension

UNIT: mm



Model	A	B	C	D	E	F	G	H	I	J	K
FV-30KUT	420	385	305	116	34	40	141	90	340	10	164
FV-40KUT	510	480	410	133	40	52	141	90	434	10	181

Performance Data [220V 50Hz/60Hz]



Specification

Model No.	Voltage [V]	Frequency [Hz]	Consumption [W]	RPM [min ⁻¹]	Air Volume		Noise [dB(A)]	Weight [Kg]
					[CMH]	[CFM]		
FV-30KUT	220	50	42	1,185	1,220	718	46	4.9
		60	51	1,255	1,270	747	47	
FV-40KUT	220	50	61	1,175	2,060	1,212	49	6.4
		60	76	1,260	2,190	1,289	51	

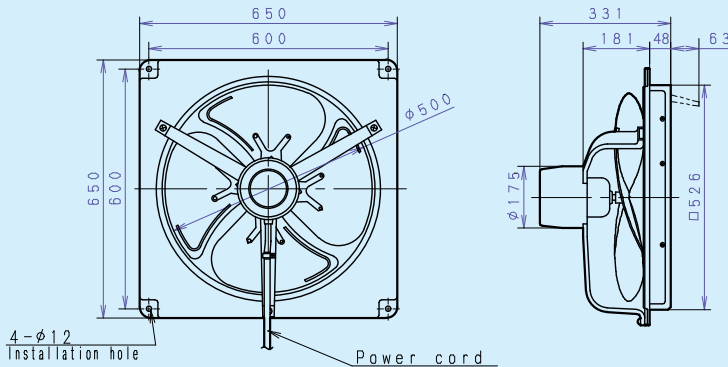
Note: The value in Specification table are representative characteristic value at 220V, 50/60Hz. RPM data is for reference only. Values may vary subject to different conditions.

INDUSTRIAL VENTILATING FAN

Shutter Series

Product Dimension

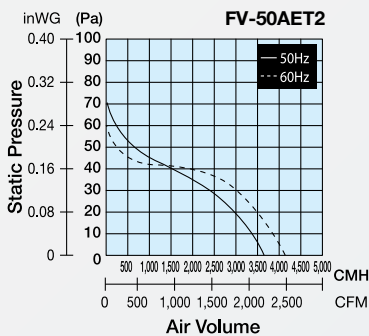
UNIT: mm



FV-50AET2

- Used in factories, warehouses or other locations in where powerful ventilation is necessary
- Metal large blade assembly for abundant air volume
- Powerful, efficient and durable condenser motor
- Ambient temperature range from -10°C to +50°C

Performance Data [220V 50Hz/60Hz]



Specification

Model No.	Voltage [V]	Frequency [Hz]	Consumption [W]	RPM [min ⁻¹]	Air Volume		Noise [dB(A)]	Weight [Kg]
					[CMH]	[CFM]		
FV-50AET2	220	50	108	920	3,630	2,137	54	11.5
		60	130	1,000	4,200	2,472	58	

Note: The value in Specification table are representative characteristic value at 220V, 50/60Hz. RPM data is for reference only. Values may vary subject to different conditions.

WALL MOUNT VENTILATING FAN

Filter Series

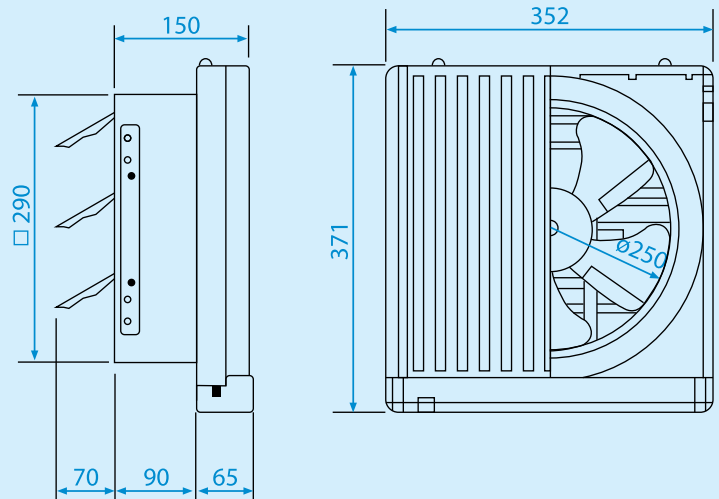


FV-25AUF1

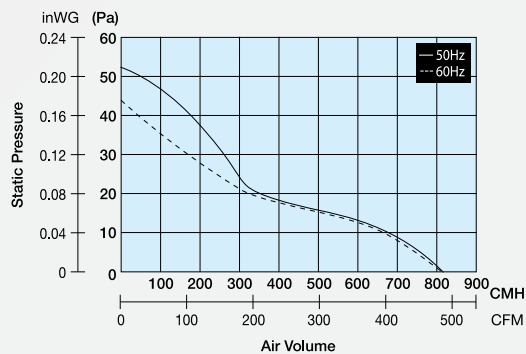
- Recommend to use in kitchen
- Automatic Shutter
- Perforated aluminum filter with hydrophobic coating
- Large capacity oil cup
- Oil indicator on oil cup
- High exhaust air volume under actual usage condition (20Pa)

Product Dimension

UNIT: mm



Performance Data [220V 50Hz/60Hz]



Specification

Model No.	Voltage [V]	Frequency [Hz]	Consumption [W]	RPM [min ⁻¹]	Air Volume		Noise [dB(A)]	Weight [Kg]	Installation space [mm]
					[CMH]	[CFM]			
FV-25AUF1	220	50	34	1,100	835	491	42	2.8	300 x 300
		60	34	1,060	820	483	42		

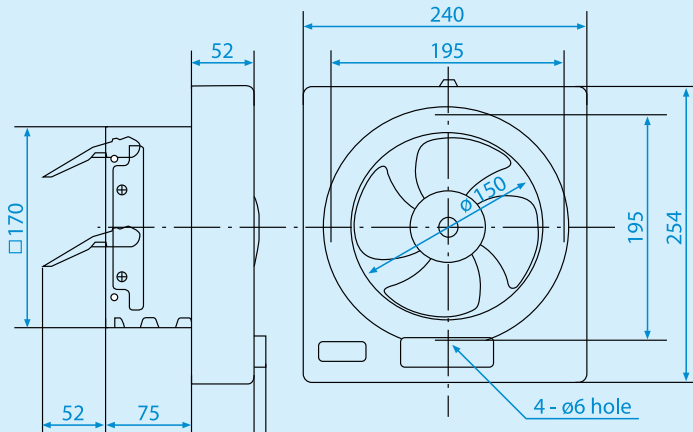
Note: The value in Specification table are representative characteristic value at 220V, 50/60Hz
RPM data is for reference only. Values may vary subject to different conditions.

WALL MOUNT VENTILATING FAN

Automatic Shutter Series

Product Dimension

UNIT: mm



FV-15AST1

- Condenser motor with thermal cutoff
- Lubricated sintered bush for long life operation
- High performance propeller fan adopted
- Automatic shutter with plastic cushions
- Orifice equipped with oil cup



Panasonic Ecology Systems Guangdong Co., Ltd. certifies that the wall mount series models shown herein are licensed to bear the AMCA Seal. The ratings shown are based on tests and procedures performed in accordance with AMCA Publication 211 and AMCA Publication 311 and comply with the requirements of the AMCA Certified Ratings Program.

Specification

Model	Voltage	Frequency	CFM/SONE AT STATIC Pressure (ps-inches of H ₂ O)			RPM	Watts*	Watts**	
			inches of H ₂ O	0	0.025		0.05	For AMCA	For IEC
FV-15AST1	220V	60Hz	CFM	157	122	65	1533	20.6	19.0
			Sones	2.5	1.9	2.3			
	240V	50Hz	CFM	154	120	63	1453	20.1	19.0
			Sones	1.7	1.4	2.1			

Performance certified is for installation type A: Free inlet, Free outlet. Performance ratings include the effects of a backdraft shutter. The speed (RPM) and Watts rating shown are at the static pressure of 0 inch of H₂O. Speed (RPM) shown in nominal. Performance is based on actual speed of test. The sound ratings shown are loudness values in fan sones at 5 ft. (1.5m) in a hemispherical free field calculated per AMCA International Standard 301. Values shown are for installation type A: Free inlet hemispherical sone levels.

* the Watts rating is only for AMCA test method and it is at the static pressure of 0 inch of H₂O.

** the Watts rating is only for IEC test method and the AMCA Certified Ratings Seal does not apply to IEC test method watts.

WALL MOUNT VENTILATING FAN

Automatic Shutter Series

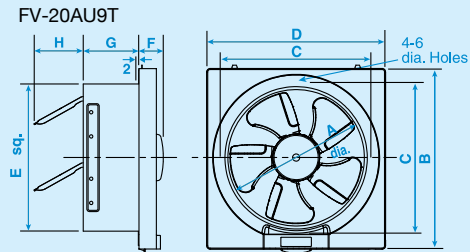


FV-20AU9T/FV-25AU9T/ FV-30AU9T

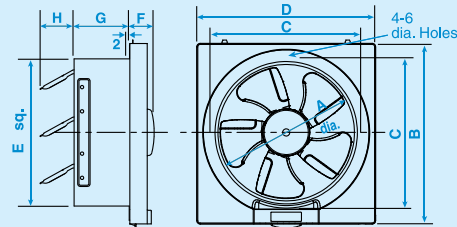
- HP condenser motor with thermal cutoff
- Well lubricated bearing for long life operation
- Propeller fan incorporated with advanced blade design (except FV-30AU9T)
- Automatic shutter
- Single speed

Product Dimension

UNIT: mm



FV-20AU9T



FV-25AU9T / FV-30AU9T

Model	A	B	C	D	E	F	G	H
FV-20AU9T	200	306	260	302	240	52	90	80
FV-25AU9T	250	356	310	352	290	38	90	63
FV-30AU9T	300	406	360	402	340	38	90	78



Panasonic Ecology Systems Co., Ltd. and Panasonic Ecology Systems (Thailand) Co., Ltd. certify that the wall mount series models shown herein are licensed to bear the AMCA Seal. The ratings shown are based on tests and procedures performed in accordance with AMCA Publication 211 and AMCA Publication 311 and comply with the requirements of the AMCA Certified Ratings Program.

Specification

Model	Voltage	Frequency	CFM/SONE AT STATIC Pressure (ps-inches of H ₂ O)					RPM	Watts*	Watts**
			inches of H ₂ O	0	0.02	0.04	0.06		For AMCA	For IEC
FV-20AU9T	220V	60Hz	CFM	356	315	271	227	1343	24.5	22
			Sones	2.3	2.4	1.8	2.8			
FV-25AU9T	240V	50Hz	CFM	338	294	253	171	1234	23.5	21.5
			Sones	2.1	2.4	2	3.5			
FV-25AU9T	220V	60Hz	CFM	515	421	330	227	1113	34.3	31
			Sones	2.5	2.3	1.9	3			
FV-30AU9T	240V	50Hz	CFM	527	465	400	347	1143	35.2	32
			Sones	5.8	5.6	5.2	4.8			
FV-30AU9T	220V	60Hz	CFM	586	486	335	174	874	40.4	38
			Sones	2.2	2.2	4.1	2.4			
FV-30AU9T	240V	50Hz	CFM	624	565	491	312	935	41.5	39
			Sones	3.7	3.6	3.6	4.1			

Performance certified is for installation type A: Free inlet, Free outlet. Performance ratings include the effects of a backdraft shutter. The speed (RPM) and Watts rating shown are at the static pressure of 0 inch of H₂O. The sound ratings shown are loudness values in fan sones at 5 ft. (1.5m) in a hemispherical free field calculated per AMCA International Standard 301. Values shown are for installation type A: Free inlet hemispherical sone levels.

* the Watts rating is only for AMCA test method and it is at the static pressure of 0 inch of H₂O.

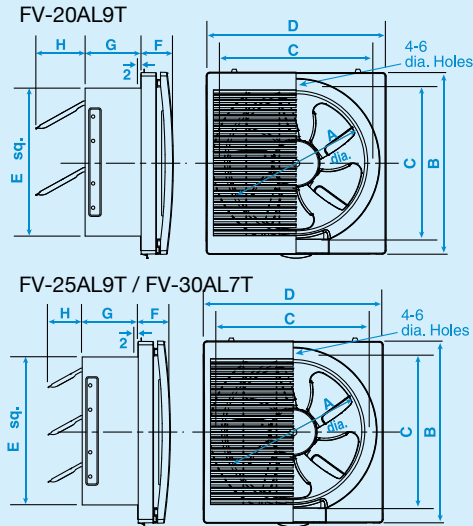
** the Watts rating is only for IEC test method and the AMCA Certified Ratings Seal does not apply to IEC test method watts.

WALL MOUNT VENTILATING FAN

Automatic Shutter Louver Series

Product Dimension

UNIT: mm



Model	A	B	C	D	E	F	G	H
FV-20AL9T	200	306	260	302	240	68	90	80
FV-25AL9T	250	356	310	352	290	63	90	63
FV-30AL7T	300	406	360	402	340	63	90	78



FV-20AL9T/FV-25AL9T/ FV-30AL7T

- HP condenser motor with thermal cutoff
- Well lubricated bearing for long life operation
- Propeller fan incorporated with advanced blade design (except FV-30AL7T)
- Automatic shutter
- Single speed



Panasonic Ecology Systems Co., Ltd. and Panasonic Ecology Systems (Thailand) Co., Ltd. certify that the wall mount series models shown herein are licensed to bear the AMCA Seal. The ratings shown are based on tests and procedures performed in accordance with AMCA Publication 211 and AMCA Publication 311 and comply with the requirements of the AMCA Certified Ratings Program.

Specification

Model	Voltage	Frequency	CFM/SONE AT STATIC Pressure (ps-inches of H ₂ O)				RPM	Watts*	Watts**	
			inches of H ₂ O	0	0.02	0.04		0.06	For AMCA	For IEC
FV-20AL9T	220V	60Hz	CFM Sones	327 2.8	294 2.7	256 4.3	162 5.3	1277	24.2	22
	240V	50Hz	CFM Sones	300 2.6	274 2.5	234 3.8	141 3.8	1228	23.5	21.5
FV-25AL9T	220V	60Hz	CFM Sones	465 3.5	409 3.2	350 3	250 5.4	1116	40	36
	240V	50Hz	CFM Sones	468 5.5	418 5.9	371 5	327 5.2	1152	35.2	32
FV-30AL7T	220V	60Hz	CFM Sones	503 2.6	374 3	230 3.1	119 2.5	833	42	38
	240V	50Hz	CFM Sones	571 3.8	494 3.7	406 5.1	247 3.8	921	44.3	40

Performance certified is for installation type A: Free inlet, Free outlet. Performance ratings include the effects of an inlet grill and backdraft shutter. The speed (RPM) and Watts rating shown are at the static pressure of 0 inch of H₂O. The sound ratings shown are loudness values in fan sones at 5 ft. (1.5m) in a hemispherical free field calculated per AMCA International Standard 301. Values shown are for installation type A: Free inlet hemispherical sone levels.

* the Watts rating is only for AMCA test method and it is at the static pressure of 0 inch of H₂O.

** the Watts rating is only for IEC test method and the AMCA Certified Ratings Seal does not apply to IEC test method watts.

WALL MOUNT VENTILATING FAN

Reversible Series

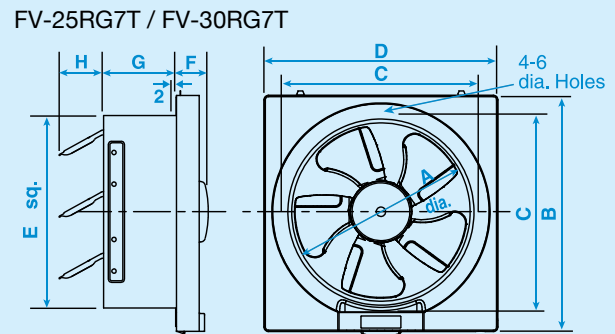
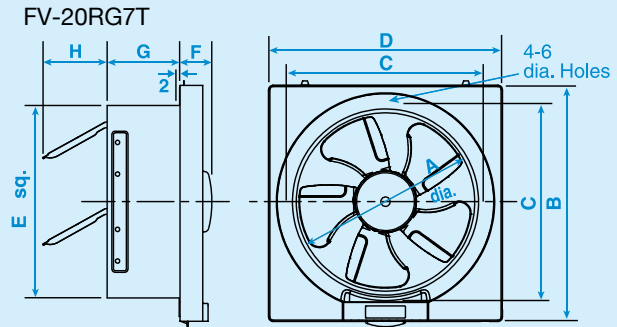


FV-20RG7T/FV-25RG7T/ FV-30RG7T

- Reversible
- On-off and reverse operated by pull cord switch
- HP condenser motor with thermal cut-off
- Well lubricated bearing for long life operation
- Propeller fan incorporated with advanced blade design (except FV-30RG7T)
- Shutter operated by pull cord

Product Dimension

UNIT: mm



Model	A	B	C	D	E	F	G	H
FV-20RG7T	200	306	260	302	240	52	90	80
FV-25RG7T	250	356	310	352	290	38	90	63
FV-30RG7T	300	406	360	402	340	38	90	78

Specification

Model No.		Voltage [V]	Frequency [Hz]	Consumption [W]	RPM [min ⁻¹]	Air Volume		Noise [dB(A)]	Weight [kg]	Installation space [mm]
						[CMH]	[CFM]			
FV-20RG7T	Exhaust	220	50	20	1,260	580	341	36	2.2	250 x 250
			60	24	1,410	630	371	39		
	Intake		50	15	1,150	405	238	46		
			60	17	1,140	355	209	46		
FV-25RG7T	Exhaust	220	50	27	1,090	945	556	38	2.4	300 x 300
			60	31	1,110	950	559	39		
	Intake		50	21	1,010	600	353	45		
			60	23	970	560	330	44		
FV-30RG7T	Exhaust	220	50	31	885	1,165	686	39	2.8	350 x 350
			60	38	800	1,000	589	38		
	Intake		50	24	840	700	412	43		
			60	26	810	680	400	42		

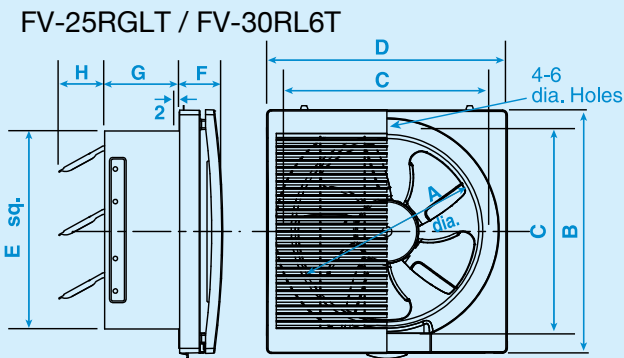
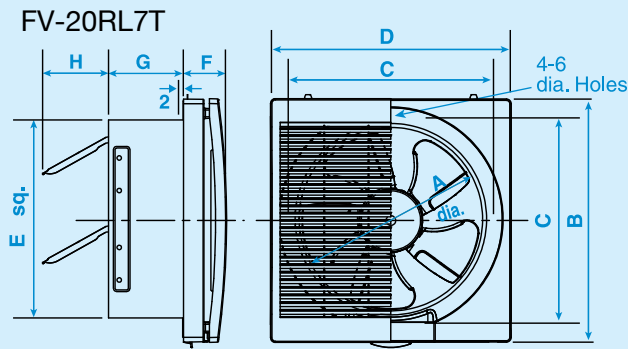
Note: The value in Specification table are representative characteristic value at 220V, 50/60Hz
RPM data is for reference only. Values may vary subject to different conditions.

WALL MOUNT VENTILATING FAN

Reversible Louver Series

Product Dimension

UNIT: mm



Model	A	B	C	D	E	F	G	H
FV-20RL7T	200	306	260	302	240	68	90	80
FV-25RL7T	250	356	310	352	290	63	90	63
FV-30RL6T	300	406	360	402	340	63	90	78



FV-20RL7T/FV-25RL7T/ FV-30RL6T

- Reversible
- On-off and reverse operated by pull cord switch
- HP condenser motor with thermal cutoff
- Well lubricated bearing for long life operation
- Propeller fan incorporated with advanced blade design (except FV-30RL6T)
- Shutter operated by pull cord

Specification

Model No.		Voltage [V]	Frequency [Hz]	Consumption [W]	RPM [min ⁻¹]	Air Volume		Noise [dB(A)]	Weight [kg]	Installation space [mm]
						[CMH]	[CFM]			
FV-20RL7T	Exhaust	220	50	20	1,240	548	321	39	2.4	250 x 250
			60	24	1,290	570	335	43		
	Intake		50	15	1,190	370	218	46		
			60	17	1,180	340	200	46		
FV-25RL7T	Exhaust	220	50	29	1,100	840	494	43	2.7	300 x 300
			60	33	1,100	835	491	43		
	Intake		50	21	1,035	580	341	43		
			60	23.5	1,035	560	330	44.5		
FV-30RL6T	Exhaust	220	50	31	890	990	583	44	3.1	350 x 350
			60	38	880	945	558	43		
	Intake		50	25	770	600	353	43		
			60	26	770	600	353	44		

Note: The value in Specification table are representative characteristic value at 220V, 50/60Hz
RPM data is for reference only. Values may vary subject to different conditions.

WALL MOUNT VENTILATING FAN

Metallic Series

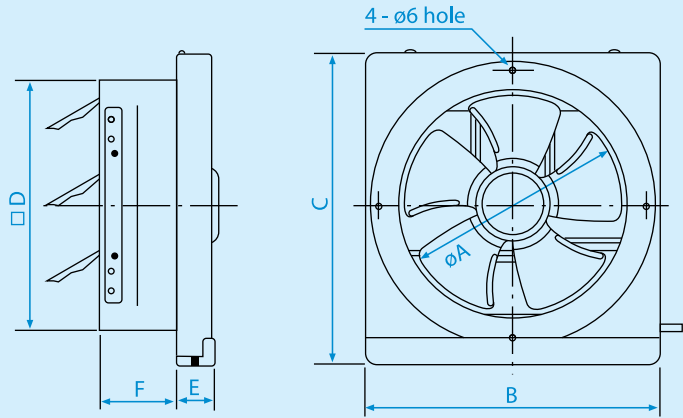


FV-20AS2 / FV-25AS2 / FV-30AS2 / FV-20AS2 05 / FV-25AS2 05 / FV-30AS2 05

- Condenser motor with thermal cutoff
- Well lubricated bearing for long life operation
- High performance propeller fan adopted
- Automatic shutter
- Powder painted metallic orifice, blade and oil cup
- Detachable oil cup

Product Dimension

UNIT: mm



Model	A	B	C	D	E	F
FV-20AS2 / FV-20AS2 05	200	300	312	240	50	90
FV-25AS2 / FV-25AS2 05	250	350	362	290	45	90
FV-30AS2 / FV-30AS2 05	300	400	412	340	45	90



Panasonic Ecology Systems Guangdong Co., Ltd. certifies that the wall mount series models shown herein are licensed to bear the AMCA Seal. The ratings shown are based on tests and procedures performed in accordance with AMCA Publication 211 and AMCA Publication 311 and comply with the requirements of the AMCA Certified Ratings Program.

Specification

Model	Voltage	Frequency	CFM/SONE AT STATIC Pressure (ps-inches of H ₂ O)				RPM	Watts*	Watts**
			inches of H ₂ O	0	0.025	0.05		For AMCA	For IEC
FV-20AS2	220V	60Hz	CFM Sones	330 1.7	259 1.9	183 3.9	1358	25.5	21.5
	240V	50Hz	CFM Sones	296 1.5	198 1.7	151 3.2	1252	22.4	19.5
FV-20AS2 05	240V	50Hz	CFM Sones	296 1.5	198 1.7	151 3.2	1252	22.4	19.5
FV-25AS2	220V	60Hz	CFM Sones	522 1.9	414 1.6	240 2.2	1277	35.5	30.5
	240V	50Hz	CFM Sones	486 2.0	434 2.0	314 2.4	1194	35.1	29.5
FV-25AS2 05	240V	50Hz	CFM Sones	486 2.0	434 2.0	314 2.4	1194	35.1	29.5
FV-30AS2	220V	60Hz	CFM Sones	637 2.0	400 2.7	85 2.2	1088	39.8	34.5
	240V	50Hz	CFM Sones	706 2.9	620 2.3	498 2.2	1175	38.1	34.0
FV-30AS2 05	240V	50Hz	CFM Sones	706 2.9	620 2.3	498 2.2	1175	38.1	34.0

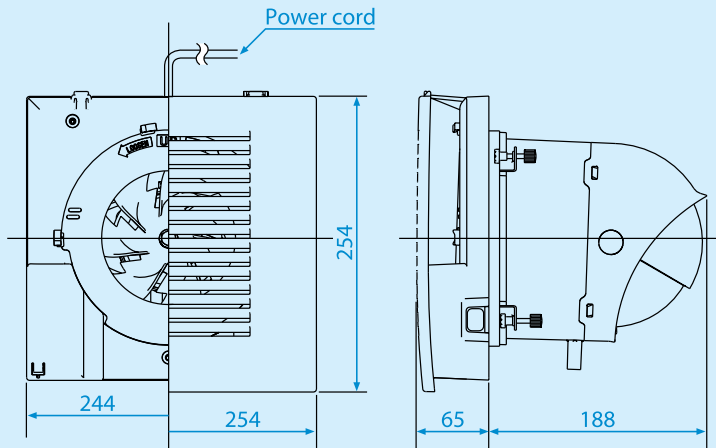
Performance certified is for installation type A: Free inlet, Free outlet. Performance ratings include the effects of a backdraft shutter. The speed (RPM) and Watts rating shown are at the static pressure of 0 inch of H₂O. The sound ratings shown are loudness values in fan sones at 5 ft. (1.5m) in a hemispherical free field calculated per AMCA International Standard 301. Values shown are for installation type A: Free inlet hemispherical sone levels. * the Watts rating is only for AMCA test method and it is at the static pressure of 0 inch of H₂O. ** the Watts rating is only for IEC test method and the AMCA Certified Ratings Seal does not apply to IEC test method watts.

WINDOW MOUNT VENTILATING FAN

High Pressure Deluxe Series

Product Dimension

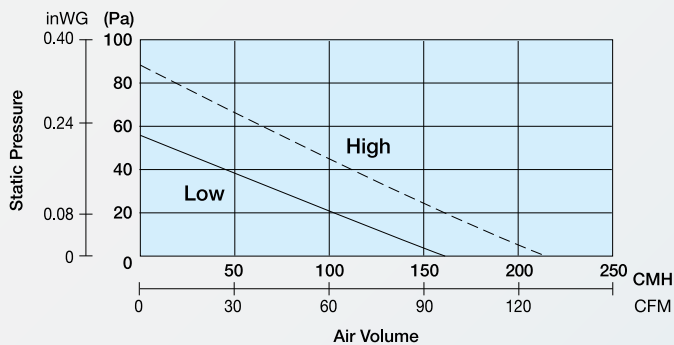
UNIT: mm



FV-15WJ1

- Rain proof and wind resistance
- Condenser motor with thermal cutoff
- Well lubricated bearing for long life operation
- Highly efficient axial fan adopted
- Electrically operated shutter with dome shaped hood
- Integral rocker switch for speed selectable

Performance Data [220V 50Hz/60Hz]



Specification

Model No.	Voltage [V]	Frequency [Hz]		Consumption [W]	RPM [min ⁻¹]	Air Volume		Noise [dB(A)]	Weight [Kg]	Installation Size [mm]
						[CMH]	[CFM]			
FV-15WJ1	220	50	Hi	22	1,878	205	121	46	2.4	ø 186 - ø 190
			Lo	19	1,325	145	85	36		
		60	Hi	27	2,012	220	129	48		
			Lo	20	1,394	153	90	38		

Note: The value in Specification table are representative characteristic value at 220V, 50/60Hz
RPM data is for reference only. Values may vary subject to different conditions.

WINDOW MOUNT VENTILATING FAN

Electric Shutter Series

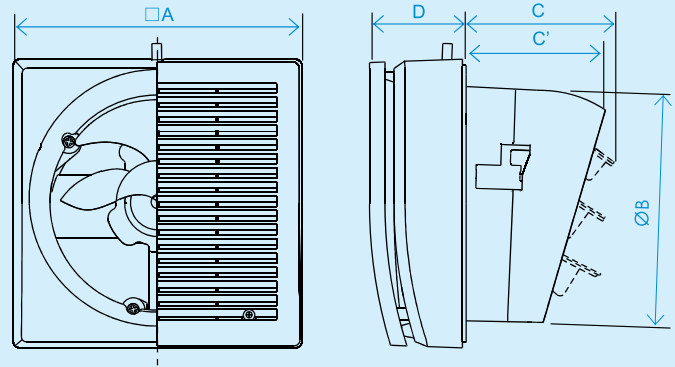


FV-15WH3T / FV-20WH3T

- Electrically Operated Shutter
- Advance design hood structure to prevent from rain and wind.
- Suitable for thickness of 3mm to 25mm
- Simple and Easy installation, no need of any silicon seal or gasket

Product Dimension

UNIT: mm



Model	A	B	C	C'	D
FV-15WH3T	224	182	117	111	72
FV-20WH3T	288	243	120	117	74



Panasonic Ecology Systems Co., Ltd. and Panasonic Ecology Systems (Thailand) Co., Ltd. certify that the window mount series models shown herein are licensed to bear the AMCA Seal. The ratings shown are based on tests and procedures performed in accordance with AMCA Publication 211 and AMCA Publication 311 and comply with the requirements of the AMCA Certified Ratings Program.

Specification

Model	Voltage	Frequency	CFM/SONE AT STATIC Pressure (ps-inches of H ₂ O)				RPM	Watts*	Watts**	
			inches of H ₂ O	0	0.05	0.1		0.15	FOR AMCA	FOR IEC
FV-15WH3T	220V	60Hz	CFM Sones	127 3.0	94 3.6	63 3.5	31 3.9	2440	14.6	13
	240V	50Hz	CFM Sones	127 2.3	95 2.7	68 3.5	50 2.8	2537	16	15
FV-20WH3T	220V	60Hz	CFM Sones	250 3	188 3.9	127 4.5	78 4.2	1517	24.4	22
	240V	50Hz	CFM Sones	230 2.8	147 3.8	103 3.4	53 4	1333	23.4	22

Performance certified is for installation type A: Free Inlet, Free Outlet. Performance ratings include the effects of inlet grille and shutter. The Speed (RPM) and Watts rating shown are at the static pressure of 0 inch of H₂O. The sound ratings shown are loudness values in fan sones at 5 ft. (1.5m) in a hemispherical free field calculated per AMCA International Standard 301. Values shown are for installation type A: Free Inlet hemispherical sone levels.

* the Watts rating is only for AMCA test method and it is at the static pressure of 0 inch of H₂O.

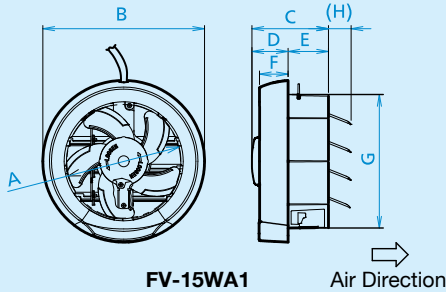
** the Watts rating is only for IEC test method and the AMCA Certified Ratings Seal does not apply to IEC test method watts.

WINDOW MOUNT VENTILATING FAN

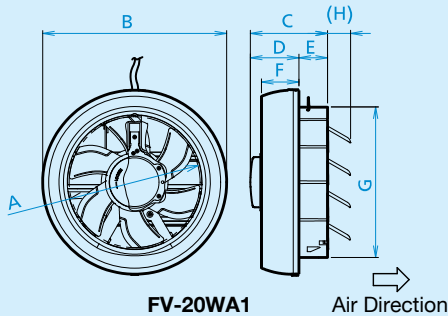
Automatic Shutter Series

Product Dimension

UNIT: mm



FV-15WA1



FV-20WA1

Model	A	B	C	D	E	F	G	H (Max)
FV-15WA1	150	212	100	47	53	38	175	(30)
FV-20WA1	206	290	122	76	46	59	237	(36)



FV-15WA1 / FV-20WA1

- Automatic shutter
- High Performance Condenser motor with thermo cut-off
- Well lubricated bearing for long life operation
- Propeller fan incorporated with advance blade design
- Removable blade for easy maintenance



Panasonic Ecology Systems Co., Ltd. and Panasonic Ecology Systems (Thailand) Co., Ltd. certify that the window mount series models shown herein are licensed to bear the AMCA Seal. The ratings shown are based on tests and procedures performed in accordance with AMCA Publication 211 and AMCA Publication 311 and comply with the requirements of the AMCA Certified Ratings Program.

Specification

Model	Voltage	Frequency	CFM/SONE AT STATIC Pressure (ps-inches of H ₂ O)				RPM	Watts*	Watts**	
			inches of H ₂ O	0	0.02	0.04		0.06	FOR AMCA	FOR IEC
FV-15WA1	220V	60Hz	CFM	124	109	91	79	2021	19.6	18
	240V	50Hz	Sones	3.6	4.5	4.1	4			
FV-20WA1	220V	60Hz	CFM	206	147	124	94	1385	18.4	17
	240V	50Hz	Sones	3.7	3.8	3.5	3.3			
FV-20WA1	220V	60Hz	CFM	165	153	141	131	1375	18.6	17.5
	240V	50Hz	Sones	3.4	3.3	3.4	3.4			

Performance certified is for installation type A: Free Inlet, Free Outlet. Performance ratings include the effects of a shutter. The Speed (RPM) and Watts rating shown are at the static pressure of 0 inch of H₂O. The sound ratings shown are loudness values in fan sones at 5 ft. (1.5m) in a hemispherical free field calculated per AMCA International Standard 301. Values shown are for installation type A: Free Inlet hemispherical sone levels.

* the Watts rating is only for AMCA test method and it is at the static pressure of 0 inch of H₂O.

** the Watts rating is only for IEC test method and the AMCA Certified Ratings Seal does not apply to IEC test method watts.

WINDOW MOUNT VENTILATING FAN

Cord-operated Shutter Series

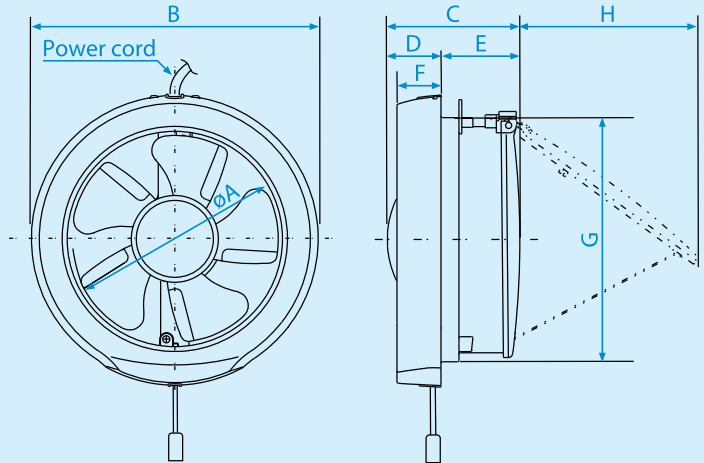


FV-15WU4 / FV-20WU4

- HP condenser motor with thermal cutoff
- Well lubricated bearing for long life operation
- Propeller fan incorporated with advanced blade design
- Shutter operated by pull cord
- Metallic shutter axis

Product Dimension

UNIT: mm



Model	A	B	C	D	E	F	G	H
FV-15WU4	150	210	97	43	54	37	177	149
FV-20WU4	200	271	98	36	62	36	237	201



Panasonic Ecology Systems Co., Ltd. and Panasonic Ecology Systems (Thailand) Co., Ltd. certify that the window mount series models shown herein are licensed to bear the AMCA Seal. The ratings shown are based on tests and procedures performed in accordance with AMCA Publication 211 and AMCA Publication 311 and comply with the requirements of the AMCA Certified Ratings Program.

Specification

Model	Voltage	Frequency	CFM/SONE AT STATIC Pressure (ps-inches of H ₂ O)					RPM	Watts*	Watts**
			inches of H ₂ O	0	0.01	0.02	0.03		FOR AMCA	FOR IEC
FV-15WU4	220V	60Hz	CFM	105	94	79	66	1425	9.7	8.9
		240V	Sones	0.9	0.9	2.2	2.4			
			CFM	124	115	104	94	1722	10.3	9.5
			Sones	1.4	1.6	1.8	3.7			
			inches of H ₂ O	0	0.02	0.03	0.04			
FV-20WU4	220V	60Hz	CFM	188	129	112	88	980	19.2	17.9
		240V	Sones	0.8	1.2	1.8	1.4			
			CFM	221	168	141	118	1096	18.5	17.2
			Sones	1.8	1.6	2.2	2.0			

Performance certified is for installation type A: Free Inlet, Free Outlet. Performance ratings include the effects of a shutter. The Speed (RPM) and Watts rating shown are at the static pressure of 0 inch of H₂O. The sound ratings shown are loudness values in fan sones at 5 ft. (1.5m) in a hemispherical free field calculated per AMCA International Standard 301. Values shown are for installation type A: Free Inlet hemispherical sone levels.

* the Watts rating is only for AMCA test method and it is at the static pressure of 0 inch of H₂O.

** the Watts rating is only for IEC test method and the AMCA Certified Ratings Seal does not apply to IEC test method watts.

SPECIFICATIONS

Ceiling Mount Ventilating Fan Model Comparison																
Model no.	Voltage	Frequency	Speed	CFM/SONE AT STATIC Pressure (ps-inches of H ₂ O)										RPM	Watts*	Watts**
				inches of H ₂ O	0	0.1	0.125	0.25	0.375	0.5	0.625	0.75	0.875			
FV-17CU8	220V	60Hz	-	CFM	41	28	25	-	-	-	-	-	-	815	11.4	10
				Sones	0.3	0.5	0.6	-	-	-	-	-	-			
	240V	50Hz	-	CFM	48	40	37	-	-	-	-	-	-	830	12.1	10.5
				Sones	0.3	0.4	0.6	-	-	-	-	-	-			
FV-24CU8	220V	60Hz	-	CFM	77	66	64	44	-	-	-	-	-	640	16.5	15.5
				Sones	0.4	0.4	0.6	1.5	-	-	-	-	-			
	240V	50Hz	-	CFM	87	77	74	50	-	-	-	-	-	680	14.9	14
				Sones	0.5	0.7	0.7	1.5	-	-	-	-	-			
FV-24CD8	220V	60Hz	-	CFM	94	79	77	58	-	-	-	-	-	750	17.6	16.5
				Sones	0.6	0.7	0.7	1.5	-	-	-	-	-			
	240V	50Hz	-	CFM	104	90	85	63	-	-	-	-	-	800	18.8	17.5
				Sones	0.8	0.9	1.0	1.6	-	-	-	-	-			
FV-24CH8	220V	60Hz	-	CFM	105	93	91	75	47	-	-	-	-	810	23.4	22
				Sones	0.8	0.9	1.0	1.3	2.2	-	-	-	-			
	240V	50Hz	-	CFM	115	109	93	71	21	-	-	-	-	880	23.7	22
				Sones	1.2	1.2	1.2	1.3	1.8	-	-	-	-			
FV-27CH9	220V	60Hz	Hi	CFM	180	160	154	117	76	34	-	-	-	578	36	33
				Sones	1.0	1.1	1.3	1.7	2.5	2.5	-	-	-			
	240V	50Hz	Hi	CFM	198	179	172	128	78	28	-	-	-	618	38	34
				Sones	1.4	1.5	1.6	1.8	2.6	2.6	-	-	-			
FV-32CD9	220V	60Hz	Hi	CFM	229	201	195	159	123	86	49	-	-	609	53	48
				Sones	1.2	1.3	1.4	1.7	2.2	2.7	3.3	-	-			
	240V	50Hz	Hi	CFM	257	236	230	192	147	99	53	-	-	668	57	50
				Sones	1.6	1.7	1.8	1.9	2.5	3.0	3.6	-	-			
FV-38CD8	220V	60Hz	Hi	CFM	356	334	329	305	273	236	199	162	125	670	109	98
				Sones	3.4	3.5	3.6	3.7	3.9	4.2	5.1	5.7	6.2			
FV-38CD8 FV-38CD8 05	240V	50Hz	Hi	CFM	387	367	362	336	305	259	212	165	117	730	119	104
				Sones	4.0	4.1	4.2	4.3	4.4	4.7	5.3	5.7	6.2			
FV-24JR2	220V	60Hz	Hi	CFM	88	88	88	88	63	34	5	-	-	853	10	8
				Sones	0.7	1.0	1.0	1.3	1.7	1.8	3.1	-	-			
	240V	50Hz	Hi	CFM	88	88	88	88	63	34	5	-	-	839	10	8
				Sones	0.7	1.0	1.0	1.3	1.7	1.8	3.1	-	-			
FV-24JA2	220V	60Hz	Hi	CFM	88	88	88	88	63	34	5	-	-	839	10	8
				Sones	0.6	0.9	1.0	1.4	1.6	1.9	3.2	-	-			
	240V	50Hz	Hi	CFM	88	88	88	88	63	34	5	-	-	839	10	8
				Sones	0.6	0.9	1.0	1.4	1.6	1.9	3.2	-	-			
FV-24CMU1	220V	60Hz	-	CFM	55	40	37	20	-	-	-	-	-	495	13	12
				Sones	0.3	0.7	0.8	1.6	-	-	-	-	-			
	240V	50Hz	-	CFM	55	44	41	24	-	-	-	-	-	562	14	13
				Sones	0.3	0.8	1.0	1.4	-	-	-	-	-			
FV-24CMH1	220V	60Hz	-	CFM	94	85	83	72	54	-	-	-	-	681	25	23
				Sones	1.0	1.4	1.5	1.9	2.3	-	-	-	-			
	240V	50Hz	-	CFM	108	98	95	77	44	-	-	-	-	753	27	25
				Sones	1.4	1.8	1.9	2.1	2.2	-	-	-	-			
FV-27CMH1	220V	60Hz	-	CFM	208	184	178	144	108	79	-	-	-	615	46	43
				Sones	1.6	1.7	1.7	2.3	3.2	3.5	-	-	-			
	240V	50Hz	-	CFM	219	194	188	150	110	70	-	-	-	669	46	43
				Sones	1.9	1.9	2.0	2.4	3.4	3.1	-	-	-			

Performance certified is for installation type B: Free inlet, Free outlet. Performance ratings include the effects of an inlet grille and back draft shutter. Speed (RPM) shown is normal. Performance is based on actual speed of test. The sound ratings shown are loudness values in fan sones at 5 ft. (1.5m) in a hemispherical free field calculated per AMCA International Standard 301. Values shown are for installation type B: Free inlet hemispherical sone levels. *the Watts rating is only for AMCA test method and it is at the static pressure of 0 inch of H₂O. ** the Watts rating is only for IEC test method and the AMCA Certified Ratings Seal does not apply to IEC test method watts.

SPECIFICATIONS

Low Noise Type Cabinet Fan Model Comparison

Model no.	Voltage	Frequency	Speed	CFM/SONE AT STATIC Pressure (ps-inches of H ₂ O)											RPM	Watts*	Watts**
				inches of H ₂ O	0	0.1	0.125	0.25	0.375	0.5	0.75	1	1.25	1.5			
FV-12NS3	220V	60Hz	Hi	CFM	114	105	102	87	65	-	-	-	-	-	1,460	26	23
				Sones	1.5	1.4	1.4	1.3	1.4	-	-	-	-	-			
	240V	50Hz	Hi	CFM	102	90	86	67	39	-	-	-	-	-	1,342	27	22
				Sones	2.0	1.7	1.6	1.4	1.5	-	-	-	-	-			
FV-15NS3	220V	60Hz	Hi	CFM	200	183	177	149	118	83	-	-	-	-	1,520	45	42
				Sones	2.7	2.5	2.4	2.3	2.2	2.0	-	-	-	-			
	240V	50Hz	Hi	CFM	193	177	172	139	94	20	-	-	-	-	1,373	47	37
				Sones	3.7	3.4	3.2	2.6	2.5	2.8	-	-	-	-			
FV-18NS3	220V	60Hz	Hi	CFM	274	261	258	241	222	196	137	-	-	-	1,470	80	73
				Sones	3.3	3.1	3.0	2.9	2.7	2.6	2.7	-	-	-			
	240V	50Hz	Hi	CFM	281	263	259	232	200	163	34	-	-	-	1,342	84	68
				Sones	4.8	4.4	4.4	3.8	3.4	3.0	2.9	-	-	-			
FV-18NF3	220V	60Hz	Hi	CFM	417	399	395	373	347	318	237	-	-	-	1,420	128	119
				Sones	4.0	3.9	3.9	3.9	3.6	3.5	3.4	-	-	-			
	240V	50Hz	Hi	CFM	429	406	400	381	344	290	78	-	-	-	1,327	135	104
				Sones	5.6	5.4	5.4	5.1	4.6	4.3	4.2	-	-	-			
FV-20NS3	220V	60Hz	Hi	CFM	469	459	456	444	433	413	354	275	-	-	1,380	170	159
				Sones	4.0	4.0	3.9	3.8	3.9	4.0	4.1	4.2	-	-			
	240V	50Hz	Hi	CFM	517	500	495	464	424	382	265	110	-	-	1,328	175	135
				Sones	6.0	5.8	5.8	5.4	5.1	4.8	4.5	4.5	-	-			
FV-23NL3	220V	60Hz	Hi	CFM	655	642	640	625	611	597	555	505	440	-	1,400	350	310
				Sones	6.0	6.0	5.9	5.9	5.7	5.7	5.8	5.8	5.8	-			
	240V	50Hz	Hi	CFM	688	670	664	642	614	579	493	388	199	-	1,342	347	260
				Sones	8.8	8.6	8.4	8.1	8.0	7.6	7.2	6.7	6.6	-			
FV-25NS3	220V	60Hz	Hi	CFM	940	924	919	899	877	857	790	710	610	502	1,380	460	425
				Sones	7.1	7.1	7.1	7.0	6.8	6.8	6.7	6.7	6.7	6.9			
	240V	50Hz	Hi	CFM	963	938	935	906	868	822	719	567	395	-	1,305	481	370
				Sones	10.1	9.8	9.7	9.3	9.2	8.8	8.0	7.5	8.2	-			
FV-25NF3	220V	60Hz	Hi	CFM	1,016	1,000	995	975	954	933	875	803	710	590	1,420	680	520
				Sones	8.2	8.2	8.2	8.2	7.9	7.9	7.8	7.6	7.5	7.5			
	240V	50Hz	Hi	CFM	1,057	1,048	1,040	1,010	972	922	811	660	473	-	1,330	537	430
				Sones	12.1	11.9	11.5	11.1	10.6	9.8	8.7	8.7	10.3	-			

Performance certified is for installation type D: Ducted inlet, Ducted outlet.

Performance ratings do not include the effects of appurtenances (accessories). Speed (RPM) shown is nominal.

Performance is based on actual speed of test. The sound ratings shown are loudness values in fan sones at 5ft (1.5m) in a hemispherical free field calculated per AMCA International Standard 301.

Values shown are for installation Type D: ducted inlet hemispherical sone levels. Ratings do not include the effect of duct end correction.

* the Watts rating is only for AMCA test method and it is at the static pressure of 0 inch of H₂O.

** the Watts rating is only for IEC test method and the AMCA Certified Ratings Seal does not apply to IEC test method watts.

Low Noise Type Cabinet Fan (Three Phase Series) Model Comparison (Non-AMCA Certified)

Model No.	Phase	Voltage [V]	Frequency [Hz]	Consumption [W]	RPM [min ⁻¹]	Air Volume		Noise [dB(A)]	Weight [Kg]	Duct Size [mm]	Impeller Diameter [mm]
						[CMH]	[CFM]				
FV-25SW3	3	380	50	940	1,375	4,000	2,354	43	60	250 x 500	250
			60	1,450	1,530	4,500	2,648	45			
FV-25SM3	3	380	50	1,180	1,345	5,200	3,060	45	60	250 x 700	250
			60	1,750	1,470	5,500	3,237	46			
FV-28NX3	3	380	50	600	1,295	2,600	1,530	44	28	ø250	280
			60	840	1,380	2,650	1,560	45			

Note: The value in Specification table are representative characteristic value at 380V, 50/60Hz

RPM data is for reference only. Values may vary subject to different conditions.

The above Low Noise Type Cabinet Fan (Three Phase Series) Model are not licensed to bear the AMCA Certified Ratings Seal.

SPECIFICATIONS

Industrial Ventilating Fan Model Comparison

Model no.	Voltage	Frequency	CFM/SONE AT STATIC Pressure (ps-inches of H ₂ O)										RPM	Watts* FOR AMCA	Watts** FOR IEC
			inches of H ₂ O	0	0.05	0.075	0.1	0.125	0.25	0.375	0.5	0.75			
FV-25GS5	220V	60Hz	CFM	788	742	715	686	647	-	-	-	-	1570	61	57
			Sones	4.9	4.7	4.5	4.5	4.6	-	-	-	-			
	240V	50Hz	CFM	701	657	633	600	565	187	-	-	-	1400	48	44
			Sones	3.8	3.6	3.6	3.5	3.6	8.6	-	-	-			
FV-30GS5	220V	60Hz	CFM	1308	1247	1217	1184	1153	772	-	-	-	1460	129	119
			Sones	9.0	9.0	9.1	9.0	9.1	9.4	-	-	-			
	240V	50Hz	CFM	1177	1119	1090	1058	1026	561	243	-	-	1315	106	98
			Sones	5.5	5.5	5.6	5.6	5.8	11.1	12.0	-	-			
FV-35GS5	220V	60Hz	CFM	1850	1788	1752	1712	1669	1456	600	-	-	1640	178	161
			Sones	11.9	11.6	12.0	12.4	13.6	14.6	13.4	-	-			
	240V	50Hz	CFM	1615	1548	1506	1458	1411	1147	390	-	-	1435	130	122
			Sones	8.6	8.2	8.2	8.0	8.0	12.6	13.4	-	-			
FV-40GS5	220V	60Hz	CFM	2677	2581	2535	2488	2440	2170	2050	-	-	1550	294	270
			Sones	20.0	20.0	19.7	19.4	19.3	18.9	19.9	-	-			
	240V	50Hz	CFM	2135	2067	2035	2000	1965	1800	1480	-	-	1440	164	151
			Sones	9.0	8.5	8.7	8.7	8.7	13.0	14.2	-	-			

Model no.	Voltage	Frequency	CFM/SONE AT STATIC Pressure (ps-inches of H ₂ O)				RPM	Watts* FOR AMCA	Watts** FOR IEC	
			inches of H ₂ O	0	0.2	0.3				0.4
FV-45GS4	220V	60Hz	CFM	3278	3131	3001	2795	1563	346	325
			Sones	10	10.4	10.6	10.8			
	240V	50Hz	CFM	2854	2648	2454	2030	1430	277	241
			Sones	7.8	7.7	7.8	9.4			
FV-50GS4	220V	60Hz	CFM	3884	3443	3090	2501	1080	347	326
			Sones	10.9	11.3	11.5	11.8			
	240V	50Hz	CFM	3354	2854	2266	912	968	293	271
			Sones	11.7	13.8	14.5	15.4			
FV-60GS4	220V	60Hz	CFM	5038	4349	3943	3560	1088	384	361
			Sones	10.1	9.8	9.5	10.1			
	240V	50Hz	CFM	4402	3855	3366	2972	980	289	263
			Sones	10.3	8.6	8.5	11.5			

Performance certified is for installation type A: Free Inlet, Free Outlet. 1. For models FV-25/30/35/40GS4, Speed (RPM) shown is nominal; 2. but for models FV-45/50/60GS4, the Speed (RPM) and watts rating shown are at the static pressure of 0 inch of H₂O. Performance is based on actual speed of test. The sound ratings shown are loudness values in fan sones at 5 ft. (1.5m) in a hemispherical free field calculated per AMCA International Standard 301. Values shown are for installation type A: Free Inlet hemispherical sone levels.

* the Watts rating is only for AMCA test method and it is at the static pressure of 0 inch of H₂O.

** the Watts rating is only for IEC test method and the AMCA Certified Ratings Seal does not apply to IEC test method watts.

Industrial Ventilating Fan Model Comparison (Non-AMCA Certified)

Model No.	Phase	Voltage [V]	Frequency [Hz]	Consumption [W]	RPM [min ⁻¹]	Air Volume		Noise [dB(A)]	Weight [Kg]
						[CMH]	[CFM]		
FV-45GT4	3	380	50	220	1,450	5,520	3,249	52	18.5
			60	330	1,690	6,420	3,779	58	
FV-50GT4	3	380	50	320	1,400	6,960	4,097	54	28.5
			60	475	1,590	8,010	4,715	58	
FV-60GT4	3	380	50	310	940	9,420	5,544	49	34
			60	450	1,070	10,920	6,427	53	
FV-30KUT	-	220	50	42	1,185	1,220	718	46	4.9
			60	51	1,255	1,270	747	47	
FV-40KUT	-	220	50	61	1,175	2,060	1,212	49	6.4
			60	76	1,260	2,190	1,289	51	
FV-50AET2	-	220	50	108	920	3,630	2,137	54	11.5
			60	130	1,050	4,200	2,472	58	

Note: The value in Specification table are representative characteristic value at 220V, 50/60Hz

RPM data is for reference only. Values may vary subject to different conditions.

The above Industrial Ventilating Fan Model are not licensed to bear the AMCA Certified Ratings Seal.

SPECIFICATIONS

Wall Mount Ventilating Fan Model Comparison									
Model	Voltage	Frequency	CFM/SONE AT STATIC Pressure (ps-inches of H ₂ O)				RPM	Watts*	Watts**
			inches of H ₂ O	0	0.025	0.05			
FV-15AST1	220V	60Hz	CFM	157	122	65	1533	20.6	19.0
			Sones	2.5	1.9	2.3			
	240V	50Hz	CFM	154	120	63	1453	20.1	19.0
			Sones	1.7	1.4	2.1			
FV-20AS2	220V	60Hz	CFM	330	259	183	1358	25.5	21.5
			Sones	1.7	1.9	3.9			
	240V	50Hz	CFM	296	198	151	1252	22.4	19.5
			Sones	1.5	1.7	3.2			
FV-20AS2 05	240V	50Hz	CFM	296	198	151	1252	22.4	19.5
			Sones	1.5	1.7	3.2			
FV-25AS2	220V	60Hz	CFM	522	414	240	1277	35.5	30.5
			Sones	1.9	1.6	2.2			
	240V	50Hz	CFM	486	434	314	1194	35.1	29.5
			Sones	2.0	2.0	2.4			
FV-25AS2 05	240V	50Hz	CFM	486	434	314	1194	35.1	29.5
			Sones	2.0	2.0	2.4			
FV-30AS2	220V	60Hz	CFM	637	400	85	1088	39.8	34.5
			Sones	2.0	2.7	2.2			
	240V	50Hz	CFM	706	620	498	1175	38.1	34.0
			Sones	2.9	2.3	2.2			
FV-30AS2 05	240V	50Hz	CFM	706	620	498	1175	38.1	34.0
			Sones	2.9	2.3	2.2			

Model	Voltage	Frequency	CFM/SONE AT STATIC Pressure (ps-inches of H ₂ O)				RPM	Watts*	Watts**	
			inches of H ₂ O	0	0.02	0.04				0.06
FV-20AU9T	220V	60Hz	CFM	356	315	271	227	1343	24.5	22
			Sones	2.3	2.4	1.8	2.8			
	240V	50Hz	CFM	338	294	253	171	1234	23.5	21.5
			Sones	2.1	2.4	2	3.5			
FV-25AU9T	220V	60Hz	CFM	515	421	330	227	1113	34.3	31
			Sones	2.5	2.3	1.9	3			
	240V	50Hz	CFM	527	465	400	347	1143	35.2	32
			Sones	5.8	5.6	5.2	4.8			
FV-30AU9T	220V	60Hz	CFM	586	486	335	174	874	40.4	38
			Sones	2.2	2.2	4.1	2.4			
	240V	50Hz	CFM	624	565	491	312	935	41.5	39
			Sones	3.7	3.6	3.6	4.1			
FV-20AL9T	220V	60Hz	CFM	327	294	256	162	1277	24.2	22
			Sones	2.8	2.7	4.3	5.3			
	240V	50Hz	CFM	300	274	234	141	1228	23.5	21.5
			Sones	2.6	2.5	3.8	3.8			
FV-25AL9T	220V	60Hz	CFM	465	409	350	260	1116	40	36
			Sones	3.5	3.2	3	5.4			
	240V	50Hz	CFM	468	418	371	327	1152	35.2	32
			Sones	5.5	5.9	5	5.2			
FV-30AL7T	220V	60Hz	CFM	503	374	230	119	833	42	38
			Sones	2.6	3	3.1	2.5			
	240V	50Hz	CFM	571	494	406	247	921	44.3	40
			Sones	3.8	3.7	5.1	3.8			

Performance certified is for installation type A: Free inlet, Free outlet. Performance ratings include the effects of backdraft shutter for all models and inlet grille for model FV-20AL9T, FV-25AL9T, FV-30AL7T. The speed (RPM) and Watts rating shown are at the static pressure of 0 inch of H₂O. The sound ratings shown are loudness values in fan sones at 5 ft. (1.5m) in a hemispherical free field calculated per AMCA International Standard 301. Values shown are for installation type A: Free inlet hemispherical sone levels.

*the Watts rating is only for AMCA test method and it is at the static pressure of 0 inch of H₂O.

**the Watts rating is only for IEC test method and the AMCA Certified Ratings Seal does not apply to IEC test method watts.

SPECIFICATIONS

Wall Mount Ventilating Fan Model Comparison (Non-AMCA Certified)										
Model No.		Voltage [V]	Frequency [Hz]	Consumption [W]	RPM [min ⁻¹]	Air Volume		Noise [dB(A)]	Weight [Kg]	Installation space [mm]
						[CMH]	[CFM]			
FV-25AUF1		220	50	34	1,100	835	491	42	2.8	300 x 300
			60	34	1,080	820	483	42		
FV-20RG7T	Exhaust	220	50	20	1,260	580	341	36	2.2	250 x 250
			60	24	1,410	630	371	39		
	Intake		50	15	1,150	405	238	46		
			60	17	1,140	355	209	46		
FV-25RG7T	Exhaust	220	50	27	1,090	945	556	38	2.4	300 x 300
			60	31	1,110	950	559	39		
	Intake		50	21	1,010	600	353	45		
			60	23	970	560	330	44		
FV-30RG7T	Exhaust	220	50	31	885	1,165	686	39	2.8	350 x 350
			60	38	800	1,000	589	38		
	Intake		50	24	840	700	412	43		
			60	26	810	680	400	42		
FV-20RL7T	Exhaust	220	50	20	1,240	548	321	39	2.4	250 x 250
			60	24	1,290	570	335	43		
	Intake		50	15	1,190	370	218	46		
			60	17	1,180	340	200	46		
FV-25RL7T	Exhaust	220	50	29	1,110	840	494	43	2.7	300 x 300
			60	33	1,110	835	491	43		
	Intake		50	21	1,035	580	330	43		
			60	23.5	1,035	560	583	44.5		
FV-30RL6T	Exhaust	220	50	31	890	990	583	44	3.1	350 x 350
			60	38	880	945	558	43		
	Intake		50	25	770	600	353	43		
			60	26	770	600	353	44		

Note: The value in Specification table are representative characteristic value at 220V, 50/60Hz
RPM data is for reference only. Values may vary subject to different conditions.
The above Wall Mount Ventilating Fan Model are not licensed to bear the AMCA Certified Ratings Seal.

SPECIFICATIONS

Window Mount Ventilating Fan Model Comparison

Model	Voltage	Frequency	CFM/SONE AT STATIC Pressure (ps-inches of H ₂ O)				RPM	Watts*	Watts**	
			inches of H ₂ O	0	0.05	0.1		0.15	FOR AMCA	FOR IEC
FV-15WH3T	220V	60Hz	CFM Sones	127 3.0	94 3.6	63 3.5	31 3.9	2440	14.6	13
	240V	50Hz	CFM Sones	127 2.3	95 2.7	68 3.5	50 2.8	2537	16	15
FV-20WH3T	220V	60Hz	CFM Sones	250 3	188 3.9	127 4.5	78 4.2	1517	24.4	22
	240V	50Hz	CFM Sones	230 2.8	147 3.8	103 3.4	53 4	1333	23.4	22

Model	Voltage	Frequency	CFM/SONE AT STATIC Pressure (ps-inches of H ₂ O)				RPM	Watts*	Watts**	
			inches of H ₂ O	0	0.02	0.04		0.06	FOR AMCA	FOR IEC
FV-15WA1	220V	60Hz	CFM Sones	124 3.6	109 4.5	91 4.1	79 4	2021	19.6	18
	240V	50Hz	CFM Sones	124 3.5	109 4.5	93 4.1	78 3.8	2062	18.2	16
FV-20WA1	220V	60Hz	CFM Sones	206 3.7	147 3.8	124 3.5	94 3.3	1385	18.4	17
	240V	50Hz	CFM Sones	165 3.4	153 3.3	141 3.4	131 3.4	1375	18.6	17.5

Model	Voltage	Frequency	CFM/SONE AT STATIC Pressure (ps-inches of H ₂ O)				RPM	Watts*	Watts**	
			inches of H ₂ O	0	0.01	0.02		0.03	FOR AMCA	FOR IEC
FV-15WU4	220V	60Hz	CFM Sones	105 0.9	94 0.9	79 2.2	66 2.4	1425	9.7	8.9
	240V	50Hz	CFM Sones	124 1.4	115 1.6	104 1.8	94 3.7	1722	10.3	9.5
			inches of H ₂ O	0	0.02	0.03	0.04			
FV-20WU4	220V	60Hz	CFM Sones	188 0.8	129 1.2	112 1.8	88 1.4	980	19.2	17.9
	240V	50Hz	CFM Sones	221 1.8	168 1.6	141 2.2	118 2.0	1096	18.5	17.2

Performance certified is for installation type A: Free Inlet, Free Outlet. Performance ratings include the effects of shutter for all models and inlet grille for model FV-15WH3T and FV-20WH3T. The speed (RPM) and Watts rating shown are at the static pressure of 0 inch of H₂O. The sound ratings shown are loudness values in fan sones at 5 ft. (1.5m) in a hemispherical free field calculated per AMCA International Standard 301. Values shown are for installation type A: Free Inlet hemispherical sone levels.

* the Watts rating is only for AMCA test method and it is at the static pressure of 0 inch of H₂O.

** the Watts rating is only for IEC test method and the AMCA Certified Ratings Seal does not apply to IEC test method watts.

Model No.	Voltage [W]	Frequency [W]		Consumption [W]	RPM [min ⁻¹]	Air Volume		Noise [dB(A)]	Weight [Kg]	Installation Size [mm]
						[CMH]	[CFM]			
FV-15WJ1	220	50	Hi	22	1,878	205	121	46	2.4	ø186 - ø190
			Lo	19	1,325	145	85	36		
		60	Hi	27	2,012	220	129	48		
			Lo	20	1,294	153	90	38		

Note: The value in Specification table are representative characteristic value at 220V, 50/60Hz

RPM data is for reference only. Values may vary subject to different conditions.

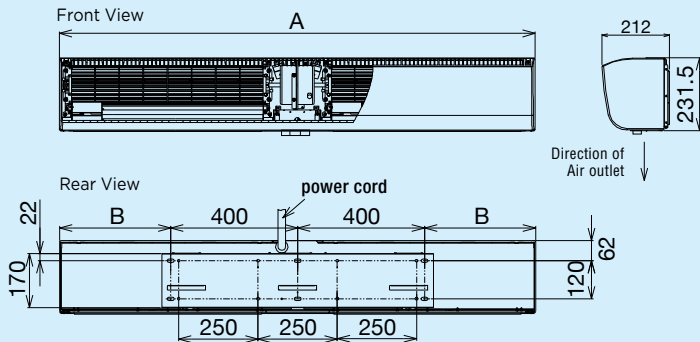
The above Window Mount Ventilating Fan Model (FV-15WJ1) is not licensed to bear the AMCA Certified Ratings Seal.

AIR CURTAIN

Cross Flow Type - Sensor Series

Product Dimension

UNIT: mm



Model	A	B	Model	A	B	Model	A	B
FY-3009D1	900	50	FY-3012D1	1200	200	FY-3015D1	1500	350
FY-4009D1			FY-4012D1			FY-4015D1		



Door Contact Sensor

FY-3009D1, FY-3012D1, FY-3015D1, FY-4009D1, FY-4012D1, FY-4015D1

- Cross flow fan adopted for wide and uniform airflow
- Unique auxiliary air inlet enhances airflow output
- Thick air stream provides high airflow momentum
- Resin with glass fiber adopted for fan blade
- Metal blade bush for high durability
- Simple structure allows easy maintenance
- Permanently lubricated ball bearing equipped
- Air deflection plate for airflow direction adjustment
- Main air inlet at top allows neat image
- Auto operation by door contact sensor
- Push button switch
- 2-speed selection

Efficient Distance

Model	Distance	Model	Distance
FY-3009D1	3m	FY-4009D1	4m
FY-3012D1	3m	FY-4012D1	4m
FY-3015D1	3m	FY-4015D1	4m

Specification

Model No.	Voltage			Air Volume		Consumption	Current	Outlet Velocity	Noise	Weight
	[V]	[Hz]		[m³/h]	[CFM]					
FY-3009D1	220	50	Hi	1,100	647	76	0.35	10.5	48.5	12.5
			Lo	920	541	70	0.32	8.5	45.0	
		60	Hi	1,100	647	92	0.42	10.5	49.5	
	Lo		900	530	78	0.36	8.5	45.0		
	240	50	Hi	1,150	677	86	0.37	10.5	50.5	
			Lo	960	565	80	0.35	9.0	47.5	
60		Hi	1,340	789	110	0.50	12.0	54.5		
	Lo	1,190	700	94	0.43	10.0	51.0			
FY-4009D1	220	50	Hi	1,340	789	141	0.64	12.0	55.5	13.5
			Lo	1,100	647	111	0.51	10.0	51.0	
		60	Hi	1,360	800	122	0.51	12.5	56.5	
	Lo		1,200	706	100	0.43	11.0	53.5		
	240	50	Hi	1,400	824	94	0.43	9.5	48.5	
			Lo	1,270	747	85	0.40	8.0	45.0	
60		Hi	1,400	824	109	0.51	9.5	48.5		
	Lo	1,250	736	94	0.46	8.0	45.0			
FY-3012D1	220	50	Hi	1,500	883	107	0.46	10.0	50.5	15.0
			Lo	1,320	777	95	0.43	9.0	47.0	
		60	Hi	1,700	1,001	126	0.59	12.0	52.5	
	Lo		1,530	901	105	0.49	10.0	49.0		
	240	50	Hi	1,700	1,001	153	0.70	12.0	52.5	
			Lo	1,450	853	118	0.55	10.0	49.0	
60		Hi	1,800	1,059	139	0.60	12.5	54.5		
	Lo	1,580	930	110	0.49	11.0	51.0			
FY-4012D1	220	50	Hi	2,000	1,177	131	0.59	10.5	51.5	16.0
			Lo	1,800	1,059	110	0.50	9.5	48.0	
		60	Hi	2,000	1,177	150	0.68	10.5	51.5	
	Lo		1,750	1,030	118	0.54	9.5	48.0		
	240	50	Hi	2,100	1,236	145	0.60	11.0	53.5	
			Lo	1,850	1,089	115	0.50	10.0	50.5	
60		Hi	2,450	1,442	177	0.81	13.0	56.0		
	Lo	2,000	1,177	147	0.68	10.0	52.0			
FY-3015D1	220	50	Hi	2,300	1,354	220	1.01	13.0	56.0	18.5
			Lo	1,780	1,048	160	0.74	9.5	52.0	
		60	Hi	2,500	1,471	200	0.86	13.5	58.0	
	Lo		2,050	1,207	160	0.68	11.0	54.5		
	240	50	Hi	2,450	1,442	177	0.81	13.0	56.0	
			Lo	2,000	1,177	147	0.68	10.0	52.0	
60		Hi	2,300	1,354	220	1.01	13.0	56.0		
	Lo	1,780	1,048	160	0.74	9.5	52.0			
FY-4015D1	220	50	Hi	2,500	1,471	200	0.86	13.5	58.0	18.5
			Lo	2,050	1,207	160	0.68	11.0	54.5	
		60	Hi	2,450	1,442	177	0.81	13.0	56.0	
	Lo		2,000	1,177	147	0.68	10.0	52.0		
	240	50	Hi	2,300	1,354	220	1.01	13.0	56.0	
			Lo	1,780	1,048	160	0.74	9.5	52.0	
60		Hi	2,500	1,471	200	0.86	13.5	58.0		
	Lo	2,050	1,207	160	0.68	11.0	54.5			

Note : The parameters shown above are measured at ambient temperature of 20°C

- The values of noise level are measured at 1.5 m apart from the product at angle of 45° below the air outlet at which is the maximum value
- The velocity is measured in test laboratory, it may vary depends on different environment in actual usage

AIR CURTAIN

Cross Flow Type - Remote Control Series

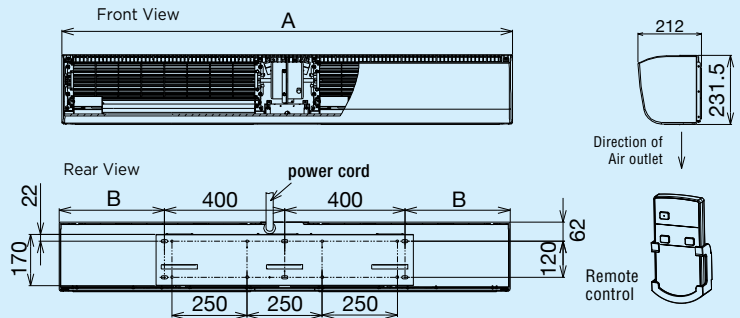


FY-3009G1, FY-3012G1, FY-3015G1, FY-4009G1, FY-4012G1, FY-4015G1

- Cross flow fan adopted for wide and uniform airflow
- Unique auxiliary air inlet enhances airflow output
- Thick air stream provides high airflow momentum
- Resin with glass fiber adopted for fan blade
- Metal blade bush for high durability
- Simple structure allows easy maintenance
- Permanently lubricated ball bearing equipped
- Air deflection plate for airflow direction adjustment
- Main air inlet at top allows neat image
- Handheld remote control
- Soft touch switch panel
- 2-speed selection

Product Dimension

UNIT: mm



Model	A	B	Model	A	B	Model	A	B
FY-3009G1	900	50	FY-3012G1	1200	200	FY-3015G1	1500	350
FY-4009G1			FY-4012G1			FY-4015G1		

Efficient Distance

Model	Distance	Model	Distance
FY-3009G1	3m	FY-4009G1	4m
FY-3012G1	3m	FY-4012G1	4m
FY-3015G1	3m	FY-4015G1	4m

Specification

Model No.	Voltage			Air Volume		Consumption	Current	Outlet Velocity	Noise	Weight
	[V]	[Hz]		[m³/h]	[CFM]					
FY-3009G1	220	50	Hi	1,100	647	76	0.35	10.5	48.5	12.5
			Lo	920	541	70	0.32	8.5	45.0	
		60	Hi	1,100	647	92	0.42	10.5	49.5	
	Lo		900	530	78	0.36	8.5	45.0		
	240	50	Hi	1,150	677	86	0.37	10.5	50.5	
			Lo	960	565	80	0.35	9.0	47.5	
60		Hi	1,340	789	110	0.50	12.0	54.5		
	Lo	1,190	700	94	0.43	10.0	51.0			
FY-4009G1	220	50	Hi	1,340	789	141	0.64	12.0	55.5	13.5
			Lo	1,100	647	111	0.51	10.0	51.0	
		60	Hi	1,360	800	122	0.51	12.5	56.5	
	Lo		1,200	706	100	0.43	11.0	53.5		
	240	50	Hi	1,400	824	94	0.43	9.5	48.5	
			Lo	1,270	747	85	0.40	8.0	45.0	
60		Hi	1,400	824	109	0.51	9.5	48.5		
	Lo	1,250	736	94	0.46	8.0	45.0			
FY-3012G1	220	50	Hi	1,500	883	107	0.46	10.0	50.5	15.0
			Lo	1,320	777	95	0.43	9.0	47.0	
		60	Hi	1,700	1,001	126	0.59	12.0	52.5	
	Lo		1,530	901	105	0.49	10.0	49.0		
	240	50	Hi	1,700	1,001	153	0.70	12.0	52.5	
			Lo	1,450	853	118	0.55	10.0	49.0	
60		Hi	1,800	1,059	139	0.60	12.5	54.5		
	Lo	1,580	930	110	0.49	11.0	51.0			
FY-4012G1	220	50	Hi	2,000	1,177	131	0.59	10.5	51.5	16.0
			Lo	1,800	1,059	110	0.50	9.5	48.0	
		60	Hi	2,000	1,177	150	0.68	10.5	51.5	
	Lo		1,750	1,030	118	0.54	9.5	48.0		
	240	50	Hi	2,100	1,236	145	0.60	11.0	53.5	
			Lo	1,850	1,089	115	0.50	10.0	50.5	
60		Hi	2,450	1,442	177	0.81	13.0	56.0		
	Lo	2,000	1,177	147	0.68	10.0	52.0			
FY-3015G1	220	50	Hi	2,300	1,354	220	1.01	13.0	56.0	18.5
			Lo	1,780	1,048	160	0.74	9.5	52.0	
		60	Hi	2,500	1,471	200	0.86	13.5	58.0	
	Lo		2,050	1,207	160	0.68	11.0	54.5		
	240	50	Hi	2,450	1,442	177	0.81	13.0	56.0	
			Lo	2,000	1,177	147	0.68	10.0	52.0	
60		Hi	2,300	1,354	220	1.01	13.0	56.0		
	Lo	1,780	1,048	160	0.74	9.5	52.0			
FY-4015G1	220	50	Hi	2,500	1,471	200	0.86	13.5	58.0	18.5
			Lo	2,050	1,207	160	0.68	11.0	54.5	
		60	Hi	2,450	1,442	177	0.81	13.0	56.0	
	Lo		2,000	1,177	147	0.68	10.0	52.0		
	240	50	Hi	2,300	1,354	220	1.01	13.0	56.0	
			Lo	1,780	1,048	160	0.74	9.5	52.0	
60		Hi	2,500	1,471	200	0.86	13.5	58.0		
	Lo	2,050	1,207	160	0.68	11.0	54.5			

Note : The parameters shown above are measured at ambient temperature of 20°C

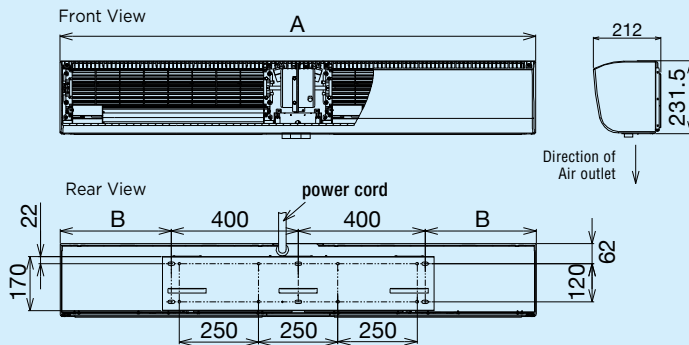
- The values of noise level are measured at 1.5 m apart from the product at angle of 45° below the air outlet at which is the maximum value
- The velocity is measured in test laboratory, it may vary depends on different environment in actual usage

AIR CURTAIN

Cross Flow Type - Standard Series

Product Dimension

UNIT: mm



Model	A	B	Model	A	B	Model	A	B
FY-3009U1	900	50	FY-3012U1	1200	200	FY-3015U1	1500	350
FY-4009U1			FY-4012U1			FY-4015U1		



FY-3009U1, FY-4009U1 FY-3012U1, FY-4012U1 FY-3015U1, FY-4015U1

- Cross flow fan adopted for wide and uniform airflow
- Unique auxiliary air inlet enhances airflow output
- Thick air stream provides high airflow momentum
- Resin with glass fiber adopted for fan blade
- Metal blade bush for high durability
- Simple structure allows easy maintenance
- Permanently lubricated ball bearing equipped
- Air deflection plate for airflow direction adjustment
- Main air inlet at top allows neat image
- Push button switch
- 2-speed selection

Efficient Distance

Model	Distance	Model	Distance
FY-3009U1	3m	FY-4009U1	4m
FY-3012U1	3m	FY-4012U1	4m
FY-3015U1	3m	FY-4015U1	4m

Specification

Model No.	Voltage			Air Volume		Consumption	Current	Outlet Velocity	Noise	Weight
	[V]	[Hz]		[m³/h]	[CFM]					
FY-3009U1	220	50	Hi	1,100	647	76	0.35	10.5	48.5	12.5
			Lo	920	541	70	0.32	8.5	45.0	
		60	Hi	1,100	647	92	0.42	10.5	49.5	
	Lo		900	530	78	0.36	8.5	45.0		
	240	50	Hi	1,150	677	86	0.37	10.5	50.5	
			Lo	960	565	80	0.35	9.0	47.5	
60		Hi	1,340	789	110	0.50	12.0	54.5		
	Lo	1,190	700	94	0.43	10.0	51.0			
FY-4009U1	220	50	Hi	1,340	789	141	0.64	12.0	55.5	13.5
			Lo	1,100	647	111	0.51	10.0	51.0	
		60	Hi	1,360	800	122	0.51	12.5	56.5	
	Lo		1,200	706	100	0.43	11.0	53.5		
	240	50	Hi	1,400	94	94	0.43	9.5	48.5	
			Lo	1,270	85	85	0.40	8.0	45.0	
60		Hi	1,400	109	109	0.51	9.5	48.5		
	Lo	1,250	94	94	0.46	8.0	45.0			
FY-3012U1	220	50	Hi	1,500	107	107	0.46	10.0	50.5	15.0
			Lo	1,320	95	95	0.43	9.0	47.0	
		60	Hi	1,700	1,001	126	0.59	12.0	52.5	
	Lo		1,530	901	105	0.49	10.0	49.0		
	240	50	Hi	1,700	1,001	153	0.70	12.0	52.5	
			Lo	1,450	853	118	0.55	10.0	49.0	
60		Hi	1,800	1,059	139	0.60	12.5	54.5		
	Lo	1,580	930	110	0.49	11.0	51.0			
FY-4012U1	220	50	Hi	2,000	1,177	131	0.59	10.5	51.5	16.0
			Lo	1,800	1,059	110	0.50	9.5	48.0	
		60	Hi	2,000	1,177	150	0.68	10.5	51.5	
	Lo		1,750	1,030	118	0.54	9.5	48.0		
	240	50	Hi	2,100	1,236	145	0.60	11.0	53.5	
			Lo	1,850	1,089	115	0.50	10.0	50.5	
60		Hi	2,450	1,442	177	0.81	13.0	56.0		
	Lo	2,000	1,177	147	0.68	10.0	52.0			
FY-3015U1	220	50	Hi	2,300	1,354	220	1.01	13.0	56.0	18.5
			Lo	1,780	1,048	160	0.74	9.5	52.0	
		60	Hi	2,500	1,471	200	0.86	13.5	58.0	
	Lo		2,050	1,207	160	0.68	11.0	54.5		
	240	50	Hi	2,450	1,442	177	0.81	13.0	56.0	
			Lo	2,000	1,177	147	0.68	10.0	52.0	
60		Hi	2,300	1,354	220	1.01	13.0	56.0		
	Lo	1,780	1,048	160	0.74	9.5	52.0			
FY-4015U1	220	50	Hi	2,500	1,471	200	0.86	13.5	58.0	18.5
			Lo	2,050	1,207	160	0.68	11.0	54.5	
		60	Hi	2,450	1,442	177	0.81	13.0	56.0	
	Lo		2,000	1,177	147	0.68	10.0	52.0		
	240	50	Hi	2,300	1,354	220	1.01	13.0	56.0	
			Lo	1,780	1,048	160	0.74	9.5	52.0	
60		Hi	2,500	1,471	200	0.86	13.5	58.0		
	Lo	2,050	1,207	160	0.68	11.0	54.5			

Note : The parameters shown above are measured at ambient temperature of 20°C

- The values of noise level are measured at 1.5 m apart from the product at angle of 45° below the air outlet at which is the maximum value
- The velocity is measured in test laboratory, it may vary depends on different environment in actual usage

AIR CURTAIN

Sirocco Type - 900 Series

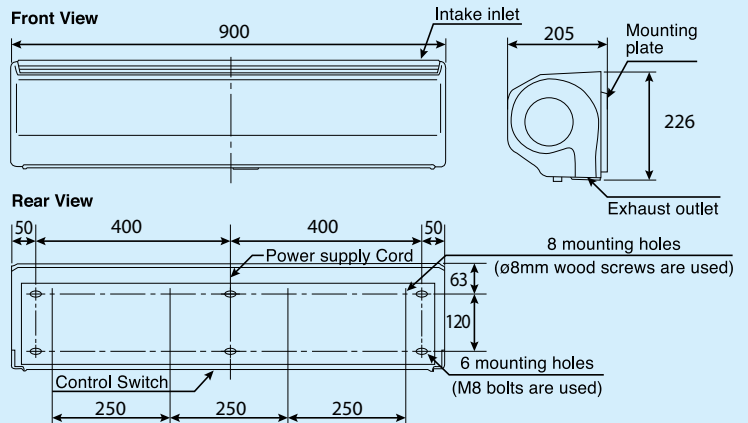


FY-08ESN, FY-10ESN FY-12ESN, FY-14ESN

- Sirocco fan adopted for long reach and narrow diffusion airflow
- ABS resin casing provides better weather resistance
- Permanently lubricated ball bearing equipped
- Air deflection plate for airflow direction adjustment
- Air inlet at top allows neat image
- Push button switch
- 2-speed selection
- Product length = 900 mm

Product Dimension

UNIT: mm



Efficient Distance

Model	Distance	Model	Distance
FY-08ESN	2.5m	FY-12ESN	3.5m
FY-10ESN	3m	FY-14ESN	4m

Specification

Model No.	Voltage			Air Volume		Consumption	Current	Outlet Velocity	Noise	Weight
	[V]	[Hz]		[m³/h]	[CFM]					
FY-08ESN	220	50	Hi	650	383	46	0.23	11.5	42	12.0
			Lo	580	341	42	0.21	10.3	39	
	60	Hi	690	406	57	0.28	12.1	43		
		Lo	560	330	49	0.25	9.9	38		
	240	50	Hi	680	400	51	0.24	11.9	43	
			Lo	620	365	47	0.23	10.9	41	
FY-10ESN	220	50	Hi	750	441	72	0.40	13.0	46	12.0
			Lo	630	371	62	0.29	11.1	42	
	60	Hi	860	506	88	0.42	14.9	50		
		Lo	600	353	72	0.33	10.9	40		
	240	50	Hi	750	441	84	0.46	13.2	46	
			Lo	630	371	66	0.30	11.7	43	
FY-12ESN	220	50	Hi	1,050	618	176	0.82	16.9	55	13.0
			Lo	960	565	155	0.69	15.8	50	
	60	Hi	990	583	202	0.94	16.1	54		
		Lo	940	553	170	0.75	15.3	49		
	240	50	Hi	1,120	659	200	0.86	17.9	57	
			Lo	1,040	612	169	0.75	16.8	54	
FY-14ESN	220	50	Hi	1,340	789	257	1.14	21.9	62	13.0
			Lo	1,168	687	218	0.99	19.1	59	
	60	Hi	1,303	767	312	1.43	21.3	61		
		Lo	1,083	637	255	1.16	17.7	57		
	240	50	Hi	1,395	821	281	1.18	22.8	63	
			Lo	1,272	749	238	1.00	20.8	60	

Note : The parameters shown above are measured at ambient temperature of 20°C

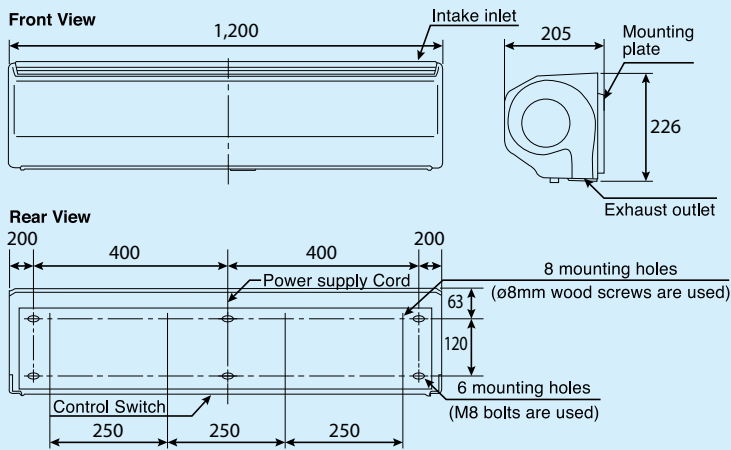
- The values of noise level are measured at 1.5 m apart from the product at angle of 45° below the air outlet at which is the maximum value
- The velocity is measured in test laboratory, it may vary depends on different environment in actual usage

AIR CURTAIN

Sirocco Type - 1200 Series

Product Dimension

UNIT: mm



FY-08ELN, FY-10ELN FY-12ELN, FY-14ELN

- Sirocco fan adopted for long reach and narrow diffusion airflow
- ABS resin casing provides better weather resistance
- Permanently lubricated ball bearing equipped
- Air deflection plate for airflow direction adjustment
- Air inlet at top allows neat image
- Push button switch
- 2-speed selection
- Product length = 1,200 mm

Efficient Distance

Model	Distance	Model	Distance
FY-08ELN	2.5m	FY-12ELN	3.5m
FY-10ELN	3m	FY-14ELN	4m

Specification

Model No.	Voltage			Air Volume		Consumption	Current	Outlet Velocity	Noise	Weight
	[V]	[Hz]		[m³/h]	[CFM]					
FY-08ELN	220	50	Hi	880	518	57	0.28	11.6	43	14.0
			Lo	800	471	53	0.27	10.6	41	
		60	Hi	940	553	74	0.36	12.4	45	
			Lo	790	465	62	0.32	10.5	40	
	240	50	Hi	920	541	65	0.29	12.1	44	
			Lo	850	500	59	0.28	11.2	42	
FY-10ELN	220	50	Hi	1,000	589	96	0.54	13.1	46	14.0
			Lo	830	489	74	0.35	11.0	42	
		60	Hi	1,150	677	116	0.56	15.1	50	
			Lo	790	465	85	0.41	10.5	41	
	240	50	Hi	1,010	594	116	0.66	13.2	47	
			Lo	880	518	86	0.38	11.6	43	
FY-12ELN	220	50	Hi	1,420	836	224	1.04	17.0	56	15.0
			Lo	1,320	777	200	0.90	15.8	51	
		60	Hi	1,340	789	258	1.21	16.2	55	
			Lo	1,290	759	220	1.04	15.4	50	
	240	50	Hi	1,510	889	252	1.10	17.9	58	
			Lo	1,410	830	218	0.98	16.7	56	
FY-14ELN	220	50	Hi	1,867	1,099	333	1.52	22.5	63	15.0
			Lo	1,668	982	290	1.32	20.1	61	
		60	Hi	1,826	1,075	423	1.93	22.0	63	
			Lo	1,552	913	339	1.55	18.7	59	
	240	50	Hi	1,942	1,143	364	1.53	23.4	64	
			Lo	1,818	1,070	320	1.33	21.9	62	

Note : The parameters shown above are measured at ambient temperature of 20°C

- The values of noise level are measured at 1.5 m apart from the product at angle of 45° below the air outlet at which is the maximum value
- The velocity is measured in test laboratory, it may vary depends on different environment in actual usage

PROJECT REFERENCE LIST

SUDAN

Jawharaa Project
Mixed Use Development
Energy Recovery Ventilators



UAE

519 Villas in ALAIN
Residential Villas
Window Mount Ventilation Type



OMAN

Pearl Muscat Ph1
Mixed Used Development
Ducted Ventilation Products



UAE

Buhaleeba 200 Villa Complex
Residential Villas
Ducted Ventilation Products

PROJECT REFERENCE LIST

OMAN

Pearl Muscat Ph2-
Mixed Used Development
Ducted Ventilation Products



UAE

B+G+3 Ajman
Commercial
Window mount Ventilation



KSA

AL Waseel Housing Project
Local Housing Development for Locals
DC motor Ducted Ventilation products



QATAR

42 Villas in Doha
Residential Villas
Window Mount Ventilation

PROJECT REFERENCE LIST

UAE

Labour Camp Project
Labor Camps Complex
Ceiling fans, Window Mount fans, industrial fans



OMAN

125 Apartments
Residential Development
Ceiling Mount Ventilation Fans



OMAN

252 Apartments
Short Description
Cabinet Fans , Wall Mount Louver

QATAR

432 Apartments
Short Description
Cabinet Fans, Wall Mount Louver



PROJECT REFERENCE LIST

QATAR

234 Apartments
Residential Development
Ceiling Mount Ventilation Fans



UAE

220 Villa in Abu Dhabi
Residential Development
Window & Wall Mount Ventilation Fans



KSA

SABIC
Net Zero Energy Green House Model
Cabinet Fans, Wall Mount Louver,
Energy Recovery Ventilators



OMAN

G+2 Warehouse & Offices
Commercial/Industrial
Mini Scirocco & Industrial Range Fans

CERTIFICATIONS

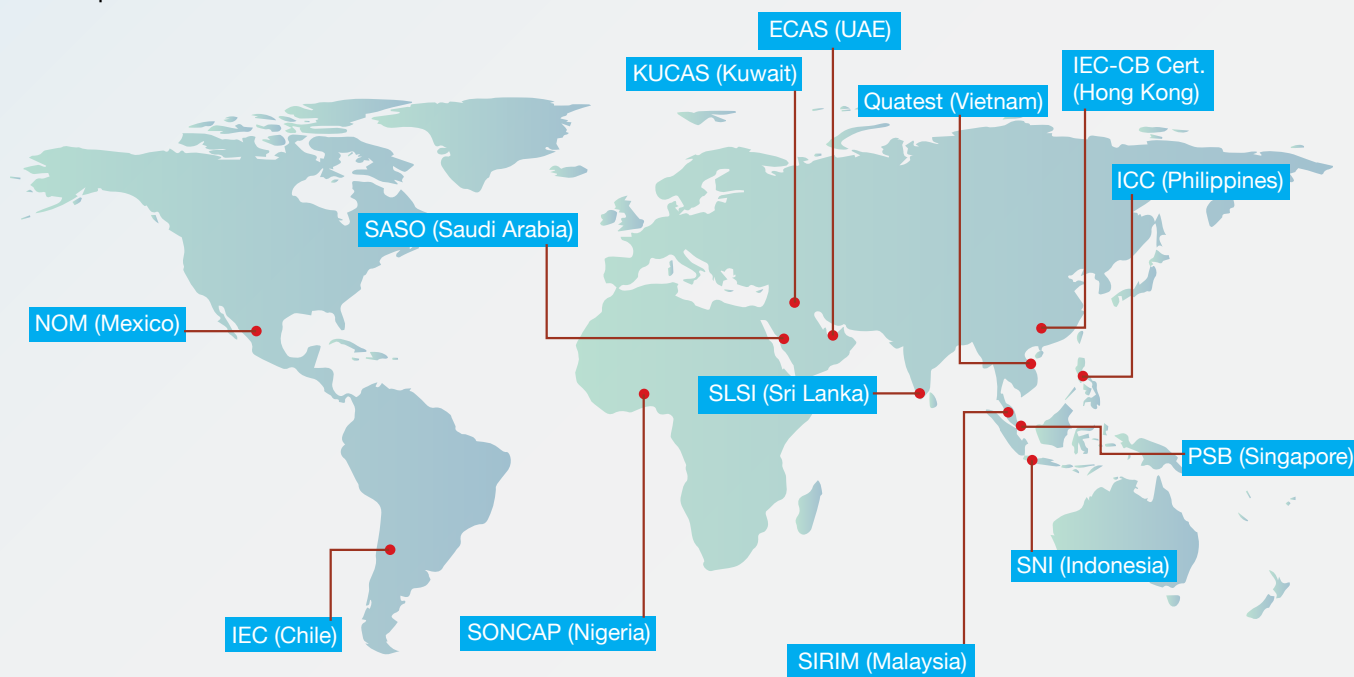
To ensure safety, Panasonic products are designed and manufactured according to either the standards of JIS (Japan Industrial Standard) or IEC (International Electrotechnical Commission). Test certificates are awarded by recognized test laboratories that further prove the reliability of our products.



CB Test Certificate

CB Test Certificate is issued to products in compliance with the applicable requirement of IEC standard under CB Scheme (Certification Bodies' Scheme) set by IEC .

Beside the international standard of JIS and IEC, different safety certifications are also acquired to fulfill the requirement in different countries.



In addition, the performance of Panasonic products are qualified by external authorities:

- 1) AMCA Seal (Air Movement and Control Association International Inc.) of The United States for ventilation products
- 2) Suruhanjaya Tenaga (Energy Commission) of Malaysia for ceiling mount Ventilation fans
- 3) VNEEP (National Energy Efficiency Programme) of Vietnam for electric fans
- 4) EEL (Energy Efficiency Label) of Hong Kong for dehumidifier
- 5) Seal of Approval Certificate of Allergy UK (The British Allergy Foundation) for air purifier and air cooler
- 6) Gulf Technical Regulation (GCC) for the Gulf markets



(1) AMCA Seal, USA



(2) Suruhanjaya Tenaga, Malaysia



(3) VNEEP, Vietnam



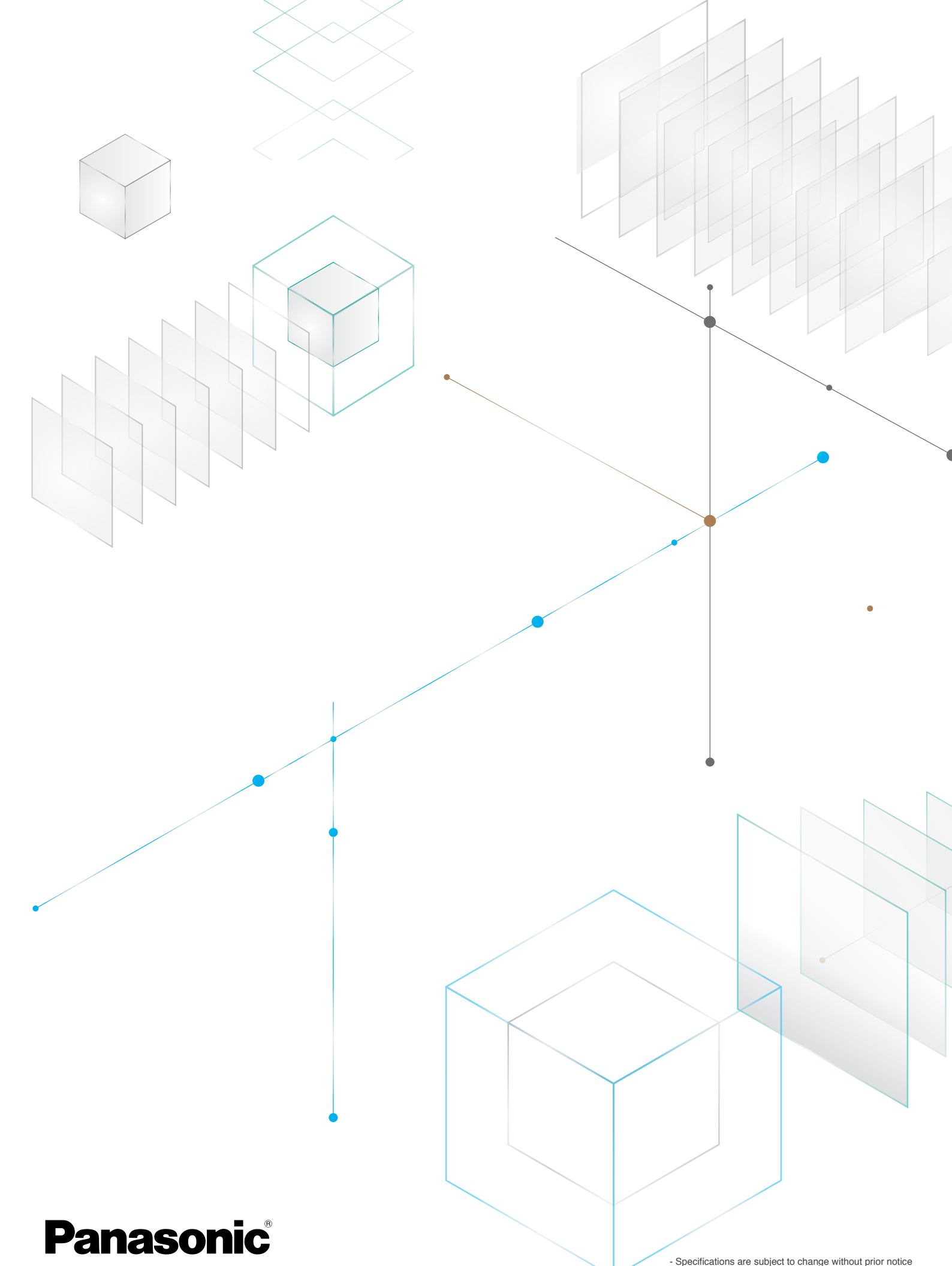
(4) EEL, Hong Kong



(5) Allergy UK, United Kingdom



(6) Gulf Technical Regulation (GCC)



Panasonic[®]

Panasonic Life Solutions Middle East & Africa
Division of Panasonic Marketing Middle East & Africa FZE
P.O Box 17985, Dubai, U.A.E Tel:+971 8007262 | customer-care@ae.panasonic.com | www.panasonic.com

- Specifications are subject to change without prior notice
- Actual colors may vary slightly from shown.

CATALOG NO: P-PQDV01
June 2020