

AC



AC

Power Roof and Wall Ventilators



	Page
Introduction	2-3
Construction Features	4-5
 Specifications and Dimension Data	
ACED	6
ACEB	7
ACRUD (Std, HP, XP)	8
ACRUB (Std, HP, XP)	9
ACWD (Std, HP, XP)	10
ACWB (Std, HP, XP)	11
ACSC (Std, HP, XP)	12
 Accessories & Options	
Seismic Ratings	13
Hurricane & High Wind Ratings	14-15
Accessories	16-20
Motors	21
 ACE Performance & Sound Data	
70 - 135 ACED EC, 70 ACED	22
90 - 180 ACED	23
60 - 80 ACEB	24-25
100 - 135 ACEB	26-27
150 - 180 ACEB	28-29
195 - 225 ACEB	30-31
245 - 300 ACEB	32-33
330 - 402 ACEB	34-35
445 - 540 ACEB	36-37
 ACRU/ACSC Performance & Sound Data	
70 - 135 ACRUD-EC	38
70 - 135 ACRUD	39
150 ACRUDEEC-HP, 165 ACRUDEEC-XP	40
150-195 ACRUD / ACRUD-HP, 165-195 ACRUD-XP	41
100-135 ACRUB / ACSC	42-43
150 ACRUB / ACSC / ACRUB-HP / ACSC-HP	44-45
165 ACRUB / ACSC / ACRUB-HP / ACSC-HP	46-47
180 ACRUB / ACSC / ACRUB-HP / ACSC-HP	48-49
195 ACRUB / ACSC / ACRUB-HP / ACSC-HP	50-51
210 ACRUB / ACSC / ACRUB-HP / ACSC-HP	52-53
225 ACRUB / ACSC / ACRUB-HP / ACSC-HP	54-55
245 ACRUB / ACSC / ACRUB-HP / ACSC-HP	56-57
270 ACRUB / ACSC / ACRUB-HP / ACSC-HP	58-59
300 ACRUB / ACSC / ACRUB-HP / ACSC-HP	60-61
330 ACRUB / ACSC / ACRUB-HP / ACSC-HP	62-63
365 ACRUB / ACSC / ACRUB-HP / ACSC-HP	64-65
402,445,490 ACRUB / ACSC / ACRUB-HP / ACSC-HP	66-67
 ACW Performance & Sound Data	
70-135 ACWD-EC	68
70-135 ACWD	69
150 ACWDEC-HP, 165-180 ACWDEC-XP	70
150 - 180 ACWD, 150-195 ACWD-HP, 165-195 ACWD-XP	71
100-135 ACWB (Std, HP, XP)	72-73
150 ACWB / ACWB-HP	74-75
165 ACWB / ACWB-HP / ACWB-XP	72-73
180 ACWB / ACWB-HP / ACWB-XP	74-75
195 ACWB / ACWB-HP / ACWB-XP	76-77
210 ACWB / ACWB-HP / ACWB-XP	78-79
225 ACWB / ACWB-HP / ACWB-XP	80-86
245 ACWB / ACWB-HP / ACWB-XP	82-83
Related Products	84

INTRODUCTION

COOK power roof and wall ventilators provide maximum performance and durability in a wide variety of commercial and industrial air moving applications. Exhaust applications include general ventilation, fume-hood, paint booth and smoke control systems.

- AC unit top cap assembly is designed to provide weather protection for the motor and drive components while maintaining easy, tool free access for inspection and maintenance.
- Standard lifting lugs, located under the top cap, provide for safe, fast and efficient lifting of the unit to a rooftop.
- One piece fan base, which includes a high-efficiency inlet venturi and continuously welded curb cap corners, ensures weathertight conditions.
- Spun aluminum baffle is designed to provide smooth, turbulent-free airflow.
- Wheels are centrifugal type featuring non-overloading, backward-inclined blades and a tapered inlet shroud.
- Accurate performance is assured through compliance with the AMCA Certified Ratings Program. All units are licensed to bear the AMCA Certified Ratings Seal for Air and Sound Performance.

ACE

Downblast Centrifugal Exhaust Ventilator



- Typically used in roof mounted clean-air exhaust applications.
- ACE available in 9 direct drive sizes and 21 belt drive sizes. Capacities range from 100 to 32,300 CFM, with static pressures from 0 to 1-1/2 inches.
- ACED-EC models with electronically commutated (EC) motors are available in 6 direct drive sizes with capacities from 63 to 2620 cfm.

ACRU

Upblast Centrifugal Exhaust Ventilator



- Typically used in roof mounted applications where it is necessary to eject contaminated air away from a rooftop.
- ACRU available in 9 direct drive sizes and 17 belt drive sizes. Capacities range from 200 to 28,800 CFM, with static pressures from 0 to 1-1/2 inches.
- ACRU-HP available in 4 direct drive and 11 belt drive high pressure sizes. Capacities range from 700 to 19,200 CFM, with static pressures from 1/4 to 2-1/2 inches.
- ACRU-XP available in 3 direct drive and 10 belt drive extended pressure sizes. Capacities range from 800 to 11,000 CFM, with static pressures from 1 to 4-1/2 inches.
- ACRUD-EC models with electronically commutated (EC) motors are available in 6 direct drive sizes with capacities from 74 to 2598 cfm.

ACW

Wall Mount Centrifugal Exhaust Ventilator



- Designed specifically for wall mounting, to discharge contaminated air perpendicular to a wall.
- ACW available in 9 direct drive sizes and 10 belt drive sizes. Capacities range from 100 to 8,200 CFM, with static pressures from 0 to 1-1/2 inches.
- ACW-HP available in 4 direct drive and 11 belt drive high pressure sizes. Capacities range from 700 to 19,200 CFM, with static pressures from 1/4 to 2-1/2 inches.
- ACW-XP available in 3 direct drive and 10 belt drive extended pressure sizes. Capacities range from 800 to 11,000 CFM, with static pressures from 1 to 4-1/2 inches.
- ACWD-EC models with electronically commutated (ec) motors are available in 6 direct drive sizes with capacities from 63 to 2620 cfm.

ACSC

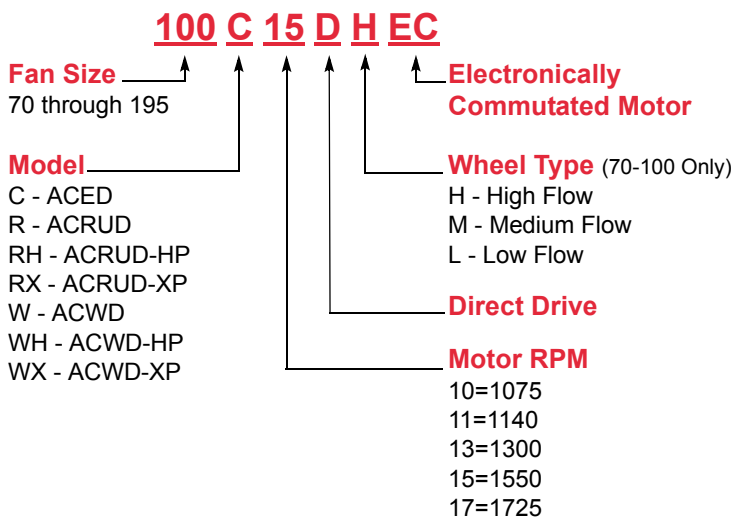
Smoke Control Ventilator



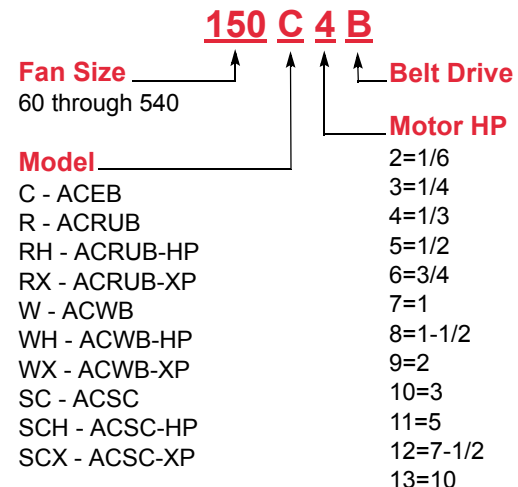
- Upblast Centrifugal Roof Mounted Exhaust Ventilator is listed as Power Ventilator for Smoke Control Systems to withstand 500°F airstream temperature for a minimum of four hours (IRI) and withstand 1000°F for a minimum of 15 minutes (SBSCCI). Ambient temperature is not to exceed 120°F.
- The UL Listing "Power Ventilator for Smoke Control Systems" is a test procedure and category which was initiated by LOREN COOK COMPANY and developed in a joint effort with UL in 1990. Several different sources were used in the definition of the test procedure. These sources include UL Standards 705, 762, 793, Southern Building Code Congress International (SBCCI) Standard Fire Prevention Code/1988, and Industrial Risk Insurers (IRI) Document E2.
- ACSC available in 17 belt drive sizes. Capacities range from 400 to 28,800 CFM, with static pressures from 0 to 1-1/2 inches.
- ACSC-HP available in 11 belt drive high pressure sizes. Capacities range from 700 to 19,200 CFM, with static pressures from 1/4 to 2-1/2 inches.
- ACSC-XP available in 10 belt drive extended pressure sizes. Capacities range from 800 to 11,000 CFM, with static pressures from 1 to 4-1/2 inches.

Model Number Chart

Direct Drive Models

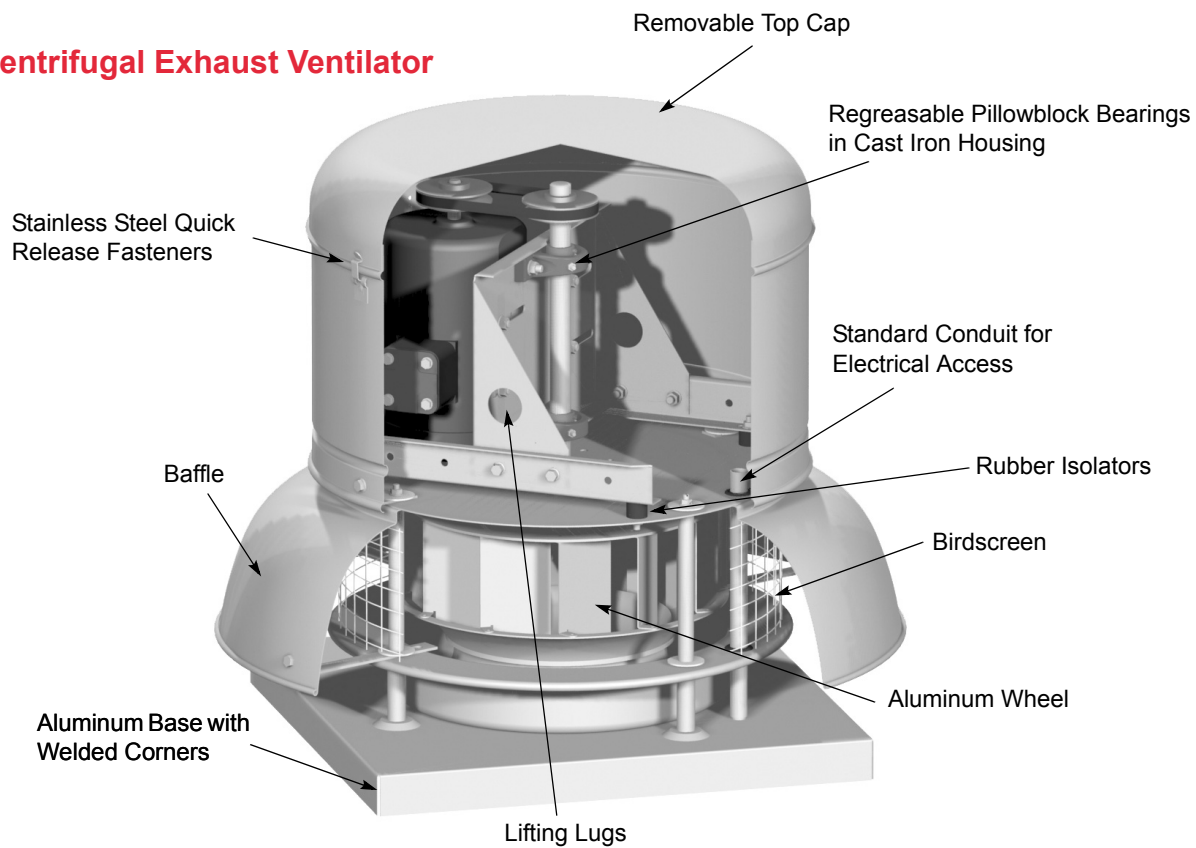


Belt Drive Models

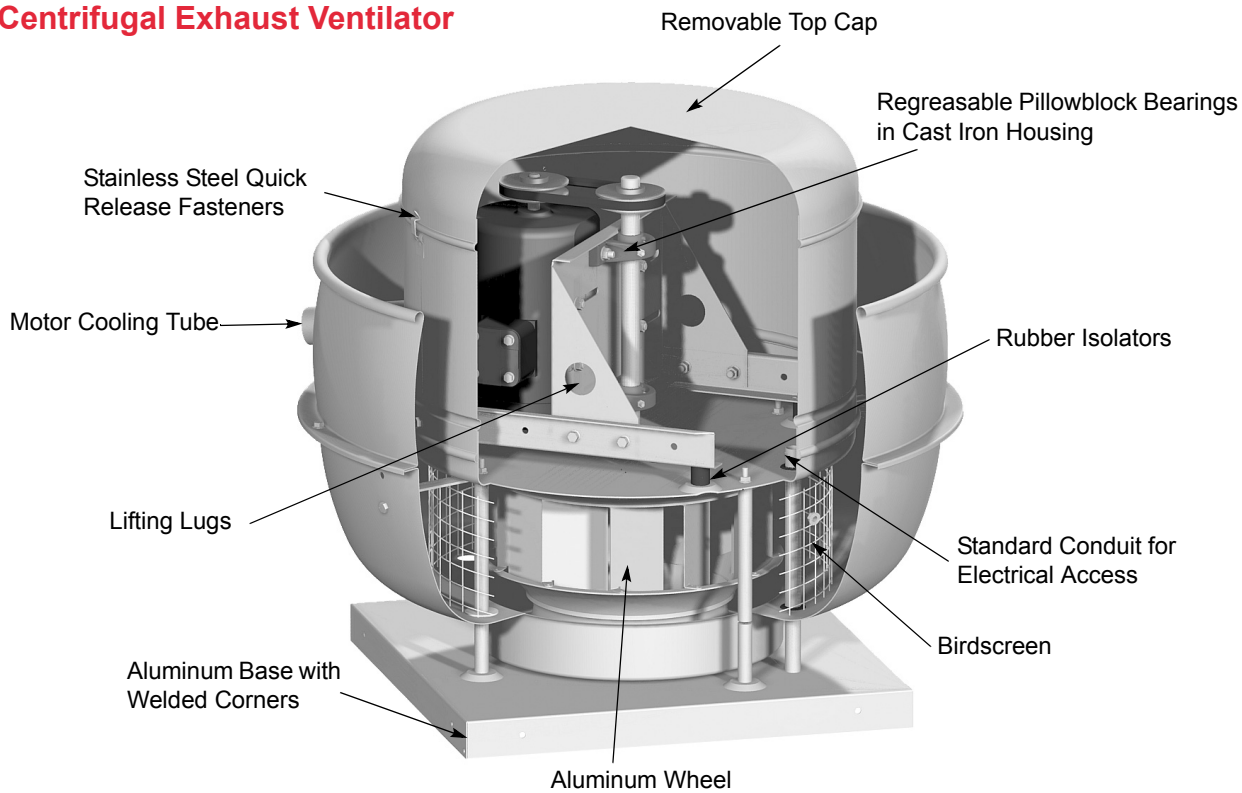


CONSTRUCTION FEATURES

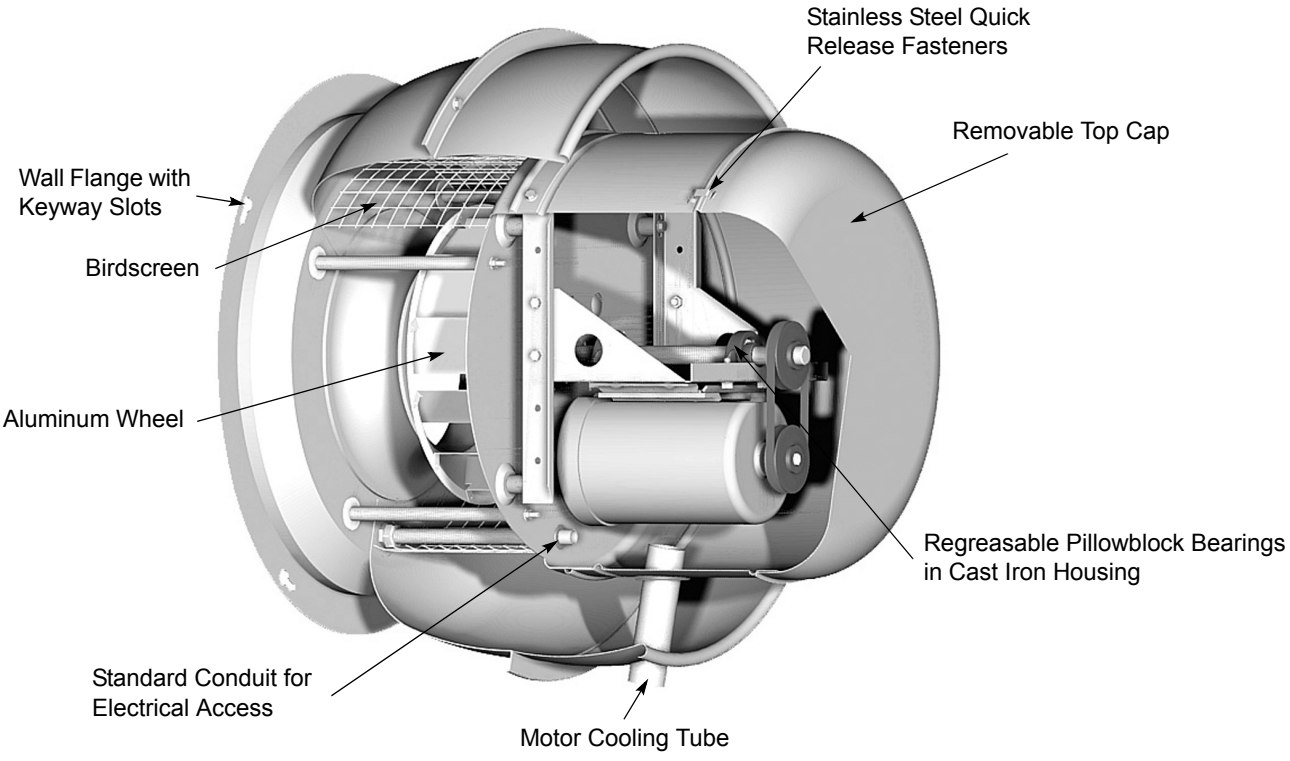
ACEB Downblast Centrifugal Exhaust Ventilator



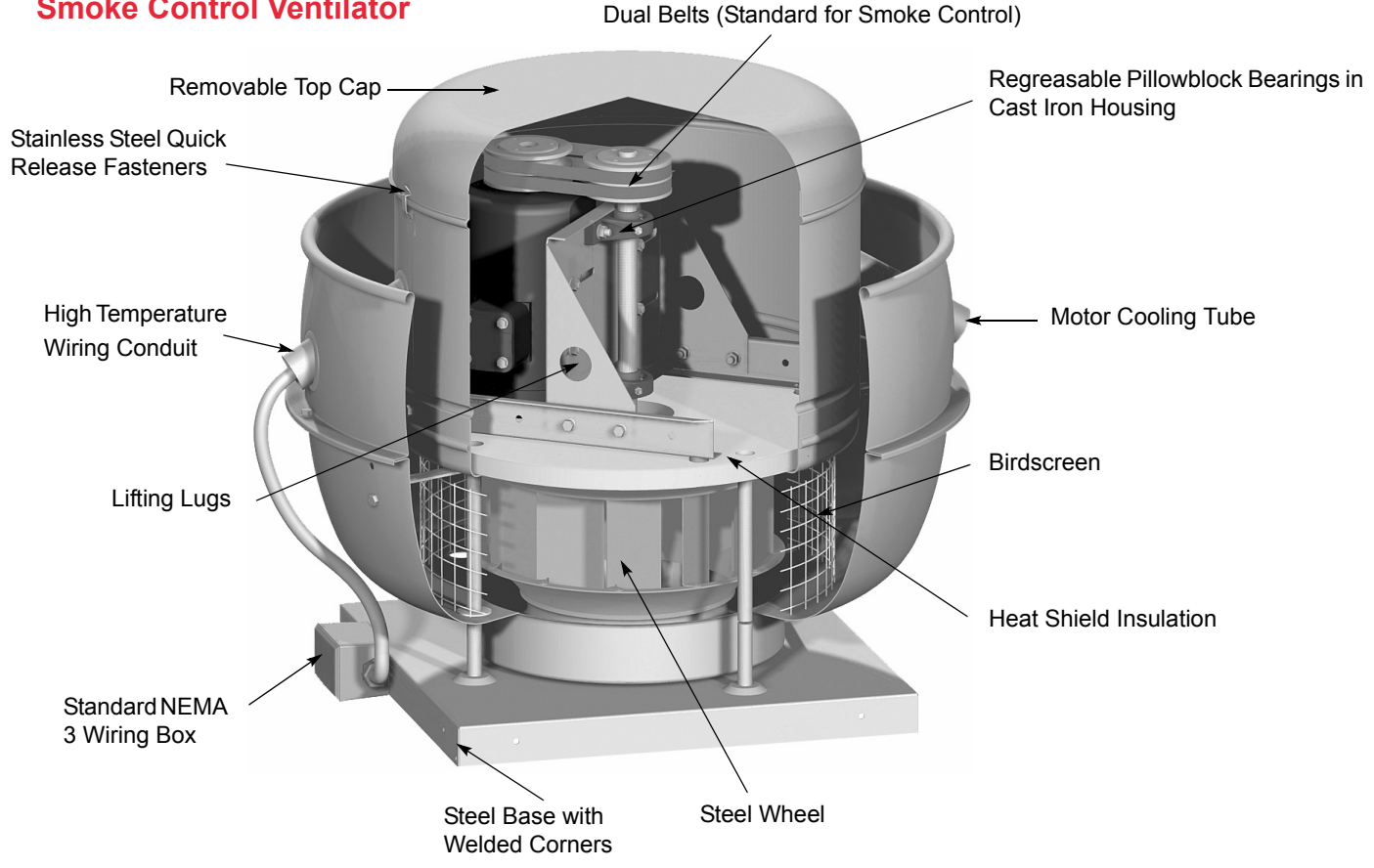
ACRUB Upblast Centrifugal Exhaust Ventilator



**ACWB
Wall Mount Centrifugal Exhaust Ventilator**



**ACSC
Smoke Control Ventilator**



Downblast Centrifugal Exhaust Ventilator Roof Mounted Direct Drive

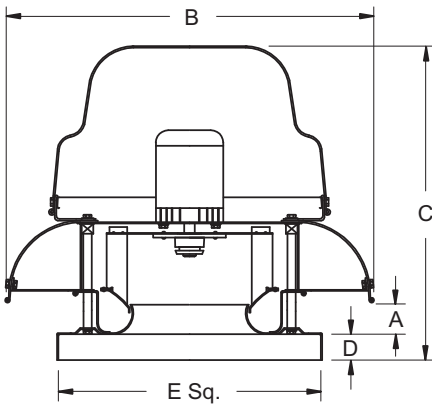


LOREN COOK COMPANY certifies that the ACED and ACED-EC shown herein are licensed to bear the AMCA Seal. The ratings shown are based on tests and procedures performed in accordance with AMCA Publication 211 and AMCA Publication 311 and comply with the requirements of the AMCA Certified Ratings Program.

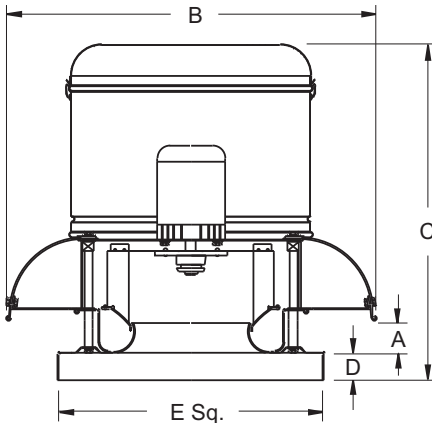


Type ACED and ACED-EC are furnished standard with UL 705 and cUL 705 listings (Power Ventilator/ZACT).

Sizes 70 - 100



Sizes 101 - 180



Description - Fan shall be a spun aluminum, roof mounted, direct driven, downblast centrifugal exhaust ventilator.

Certifications - Fan shall be manufactured at an ISO 9001 certified facility. Fan shall be listed by Underwriters Laboratories (UL 705) and UL listed for Canada (cUL 705). Fan shall bear the AMCA Certified Ratings Seal for Sound and Air Performance.

Construction - Fan shall be of bolted and welded construction utilizing corrosion resistant fasteners. The spun aluminum structural components shall be constructed of minimum 16 gauge marine alloy aluminum, bolted to a rigid aluminum support structure. The aluminum base shall have continuously welded curb cap corners for maximum leak protection. The discharge baffle shall have a rolled bead for added strength. An integral conduit chase shall be provided through the curb cap and into the motor compartment to facilitate wiring connections. The motor shall be enclosed in a weather-tight compartment, separated from the exhaust airstream. Unit shall bear an engraved aluminum nameplate. Nameplate shall indicate design CFM and static pressure. Unit shall be shipped in ISTA Certified Transit Tested Packaging.

Wheel - Wheel shall be centrifugal backward inclined, constructed of 100% aluminum, including a precision machined cast aluminum hub. An aerodynamic aluminum inlet cone shall be provided for maximum performance and efficiency. Wheel shall be balanced in accordance with AMCA Standard 204-05, Balance Quality and Vibration Levels for Fans.

Motor - Motor shall be heavy duty type with permanently lubricated sealed bearings and furnished at the specified voltage, phase and enclosure.

Motor EC - Motor shall be an electronically commutated motor rated for continuous duty and furnished either with internally mounted potentiometer speed controller or with leads for connection to 0-10 VDC external controller.

Product - Fan shall be model ACED or ACED-EC as manufactured by LOREN COOK COMPANY of Springfield, Missouri.

Dimension Data

Size	A	B	C	D	E Sq.	Roof Opening Square*	Ship. Wt.
70	1-3/4	13-5/8	13-13/16	2	18	13-1/2	20
90	2-1/2	18-3/4	16-13/16	2	18	13-1/2	28
100	2-1/2	18-3/4	16-13/16	2	18	13-1/2	30
101	2-3/8	23-9/16	21-1/8	2	18	13-1/2	30
120	1-7/16	28-7/16	26-9/16	2	20	15-1/2	67
135	1-15/16	28-7/16	27-1/16	2	20	15-1/2	72
150	2-13/16	32-7/8	28-11/16	2	24	19-1/2	87
165	3-5/16	32-7/8	29-3/16	2	24	19-1/2	90
180	3-5/16	37-11/16	33-15/16	3	30	25-1/2	102

All dimensions in inches. *Roof opening size for curbs supplied by LOREN COOK COMPANY only. Weights in pounds.

Description - Fan shall be a spun aluminum, roof mounted, belt driven, downblast centrifugal exhaust ventilator.

Certifications - Fan shall be manufactured at an ISO 9001 certified facility. Fan shall be listed by Underwriters Laboratories (UL 705) and UL listed for Canada (cUL 705). Fan shall bear the AMCA Certified Ratings Seal for Sound and Air Performance.

Construction - Fan shall be of bolted and welded construction utilizing corrosion resistant fasteners. The spun aluminum structural components shall be constructed of minimum 16 gauge marine alloy aluminum, bolted to a rigid aluminum support structure. The aluminum base shall have continuously welded curb cap corners for maximum leak protection. The discharge baffle shall have a rolled bead for added strength. A two piece top cap shall have stainless steel quick release latches to provide access into the motor compartment without the use of tools. An integral conduit chase shall be provided through the curb cap and into the motor compartment to facilitate wiring connections. The motor, bearings and drives shall be mounted on a minimum 14 gauge steel power assembly, isolated from the unit structure with rubber vibration isolators. These components shall be enclosed in a weather-tight compartment, separated from the exhaust airstream. Lifting lugs shall be provided to help prevent damage from improper lifting. Unit shall bear an engraved aluminum nameplate. Nameplate shall indicate design CFM, static pressure and maximum fan RPM. Unit shall be shipped in ISTA Certified Transit Tested Packaging.

Wheel - Wheel shall be centrifugal backward inclined, constructed of 100 percent aluminum, including a precision machined cast aluminum hub. Wheel inlet shall overlap an aerodynamic aluminum inlet cone to provide maximum performance and efficiency. Wheel shall be balanced in accordance with AMCA Standard 204-05, Balance Quality and Vibration Levels for Fans.

Motor - Motor shall be NEMA design B with class B insulation rated for continuous duty and furnished at the specified voltage, phase and enclosure.

Bearings - Bearings shall be designed and individually tested specifically for use in air handling applications. Construction shall be heavy duty regreasable ball type in a cast iron pillowblock housing selected for a minimum L50 life in excess of 200,000 hours at maximum cataloged operating speed.

Belts and Drives - Belts shall be oil and heat resistant, non-static type. Drives shall be precision machined cast iron type, keyed and securely attached to the wheel and motor shafts. Drives shall be sized for 150 percent of the installed motor horsepower. The variable pitch motor drive must be factory set to the specified fan RPM.

Product - Fan shall be model ACEB as manufactured by LOREN COOK COMPANY of Springfield, Missouri.

Downblast Centrifugal Exhaust Ventilator Roof Mounted Belt Drive



LOREN COOK COMPANY certifies that the ACEB shown herein is licensed to bear the AMCA Seal. The ratings shown are based on tests and procedures performed in accordance with AMCA Publication 211 and AMCA Publication 311 and comply with the requirements of the AMCA Certified Ratings Program.

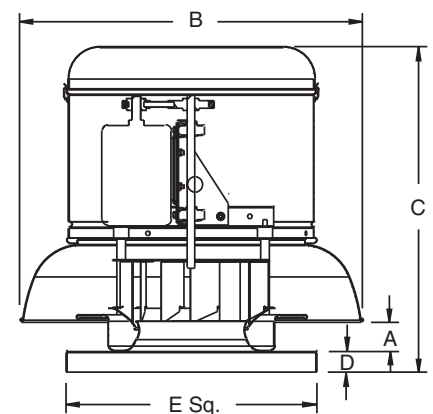


Type ACEB is furnished standard with UL 705 and cUL 705 listings (Power Ventilator/ZACT) when furnished with factory supplied motor.

Dimension Data

Size	A	B	C	D	E Sq.	Roof Opening Square*	Ship. Wt.
60	2-7/8	23-9/16	21-1/8	2	18	13-1/2	30
70	2-7/8	23-9/16	21-1/8	2	18	13-1/2	30
80	2-7/8	23-9/16	21-1/8	2	18	13-1/2	30
100	2-7/8	23-9/16	21-1/8	2	18	13-1/2	30
120	1-13/16	28-7/16	26-7/8	2	20	15-1/2	55
135	2-3/16	28-7/16	27-1/4	2	20	15-1/2	60
150	3-1/16	32-7/8	28-7/8	2	24	19-1/2	70
165	3-9/16	32-7/8	29-3/8	2	24	19-1/2	75
180	3-15/16	37-11/16	34-1/2	3	30	25-1/2	90
195	4-7/16	37-11/16	35	3	30	25-1/2	100
210	4-3/4	43-5/8	37-1/4	3	30	25-1/2	200
225	4-7/8	43-5/8	37-3/8	3	30	25-1/2	220
245	6-1/8	47-5/8	39-7/8	3	30	25-1/2	240
270	6-1/8	47-5/8	39-7/8	3	36	31-1/2	260
300	7-1/16	52-5/8	49-1/16	3	36	31-1/2	300
330	7-5/16	52-5/8	49-5/16	3	42	37-1/2	365
365	8-1/16	62-5/8	51-9/16	3	42	37-1/2	380
402	10-1/16	62-5/8	53-9/16	3	48	43-1/2	440
445	9-3/4	75-3/16	57-1/16	3	54	49-1/2	500
490	11-1/2	75-3/16	58-13/16	3	54	49-1/2	650
540	12-1/2	81-15/16	60-5/16	3	66	61-1/2	858

All dimensions in inches. Weights in pounds, less motor.*Roof opening size for curbs supplied by LOREN COOK COMPANY only.



Upblast Centrifugal Exhaust Ventilator Roof Mounted Direct Drive

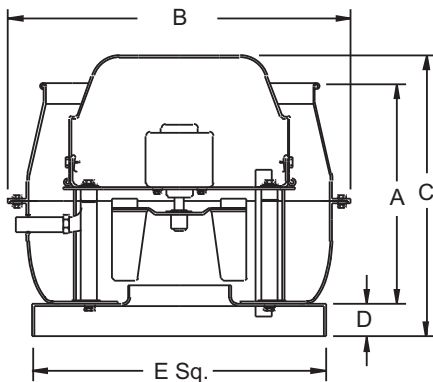


LOREN COOK COMPANY certifies that the ACRUD, ACRUD-EC, ACRUD-HP, ACRUDEEC-HP, ACRUD-XP, and ACRUDEEC-XP shown herein are licensed to bear the AMCA Seal. The ratings shown are based on tests and procedures performed in accordance with AMCA Publication 211 and AMCA Publication 311 and comply with the requirements of the AMCA Certified Ratings Program.

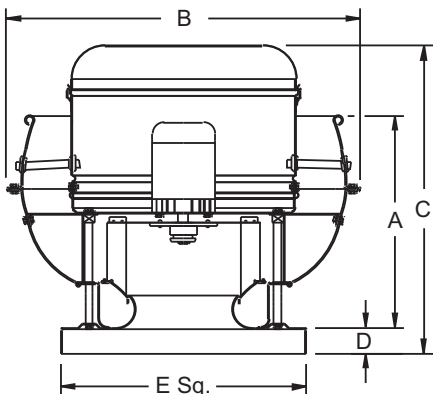


Type ACRUD, ACRUD-EC, ACRUD-HP, ACRUDEEC-HP and ACRUD-XP, ACRUEC-XP are furnished standard with UL 705 and cUL 705 listings (Power Ventilator/ZACT).

Size 70 - 100



Size 101 - 180



Description - Fan shall be a spun aluminum, roof mounted, direct driven, upblast centrifugal exhaust ventilator.

Certifications - Fan shall be manufactured at an ISO 9001 certified facility. Fan shall be listed by Underwriters Laboratories (UL 705) and UL listed for Canada (cUL 705). Fan shall bear the AMCA Certified Ratings Seal for Sound and Air Performance.

Construction - Fan shall be of bolted and welded construction utilizing corrosion resistant fasteners. The spun aluminum structural components shall be constructed of minimum 16 gauge marine alloy aluminum, bolted to a rigid aluminum support structure. The aluminum base shall have a one piece inlet spinning and continuously welded curb cap corners for maximum leak protection. The windband shall have a rolled bead for added strength. An integral conduit chase shall be provided into the motor compartment to facilitate wiring connections. The motor shall be enclosed in a weather-tight compartment, separated from the exhaust airstream. Unit shall bear an engraved aluminum nameplate. Nameplate shall indicate design CFM and static pressure. Unit shall be shipped in ISTA Certified Transit Tested Packaging.

Wheel - Wheel shall be centrifugal backward inclined, constructed of 100 percent aluminum, including a precision machined cast aluminum hub. An aerodynamic aluminum inlet cone shall be provided for maximum performance and efficiency. Wheel shall be balanced in accordance with AMCA Standard 204-05, Balance Quality and Vibration Levels for Fans.

Motor - Motor shall be heavy duty type with permanently lubricated sealed bearings and furnished at the specified voltage, phase and enclosure.

Motor EC - Motor shall be an electronically commutated motor rated for continuous duty and furnished either with internally mounted potentiometer speed controller or with leads for connection to 0-10 VDC external controller.

Product - Fans shall be models ACRUD, ACRUD-EC, ACRUDEEC-HP, ACRUDEEC-XP, ACRUD-HP or ACRUD-XP as manufactured by LOREN COOK COMPANY of Springfield, Missouri.

Dimension Data

Size	A	B	C			D	E Sq.	Roof Opening Square*	Ship. Wt.
			ACRUD	ACRUD-HP	ACRUD-XP				
70	10-3/4	17-1/8	13-3/8	-	-	2	18	13-1/2	20
90	13-1/4	21-1/8	16-3/8	-	-	2	18	13-1/2	28
100	13-1/4	21-1/8	16-3/8	-	-	2	18	13-1/2	30
101	12-1/2	25-1/4	20-3/16	-	-	2	18	13-1/2	30
120	19-1/16	30-3/16	28-1/8	-	-	2	20	15-1/2	67
135	19-1/16	30-3/16	28-5/8	-	-	2	20	15-1/2	72
150	20-15/16	34-11/16	30-1/4	27-1/2	-	2	24	19-1/2	87
165	20-15/16	34-11/16	30-3/4	27-3/4	26-11/16	2	24	19-1/2	90
180	24-13/16	39-7/16	35-7/8	33-3/8	31-7/16	3	30	25-1/2	102
195	24-13/16	19-7/16	-	33-1/2	32-1/8	3	30	25-1/2	110

All dimensions in inches. Weights in pounds. *Roof opening size for curbs supplied by LOREN COOK COMPANY only.

Description - Fan shall be a spun aluminum, roof mounted, belt driven, upblast centrifugal exhaust ventilator.

Certifications - Fan shall be manufactured at an ISO 9001 certified facility. Fan shall be listed by Underwriters Laboratories (UL 705) and UL listed for Canada (cUL 705). Fan shall bear the AMCA Certified Ratings Seal for Sound and Air Performance.

Construction - Fan shall be of bolted and welded construction utilizing corrosion resistant fasteners. The spun aluminum structural components shall be constructed of minimum 16 gauge marine alloy aluminum, bolted to a rigid aluminum support structure. The aluminum base shall have a one piece inlet spinning and continuously welded curb cap corners for maximum leak protection. The windband shall have a rolled bead for added strength. A two piece top cap shall have stainless steel quick release latches to provide access into the motor compartment without the use of tools. An integral conduit chase shall be provided into the motor compartment to facilitate wiring connections. The motor, bearings and drives shall be mounted on a minimum 14 gauge steel power assembly, isolated from the unit structure with rubber vibration isolators. These components shall be enclosed in a weather-tight compartment, separated from the exhaust airstream. Lifting lugs shall be provided to help prevent damage from improper lifting. Unit shall bear an engraved aluminum nameplate. Nameplate shall indicate design CFM, static pressure and maximum fan RPM. Unit shall be shipped in ISTA Certified Transit Tested Packaging.

Wheel - Wheel shall be centrifugal backward inclined, constructed of 100 percent aluminum, including a precision machined cast aluminum hub. Wheel inlet shall overlap an aerodynamic aluminum inlet cone to provide maximum performance and efficiency. Wheel shall be balanced in accordance with AMCA Standard 204-05, Balance Quality and Vibration Levels for Fans.

Motor - Motor shall be NEMA design B with class B insulation rated for continuous duty and furnished at the specified voltage, phase and enclosure.

Bearings - Bearings shall be designed and individually tested specifically for use in air handling applications. Construction shall be heavy duty regreasable ball type in a cast iron pillowblock housing selected for a minimum L50 life in excess of 200,000 hours at maximum cataloged operating speed.

Belts and Drives - Belts shall be oil and heat resistant, non-static type. Drives shall be precision machined cast iron type, keyed and securely attached to the wheel and motor shafts. Drives shall be sized for 150 percent of the installed motor horsepower. The variable pitch motor drive must be factory set to the specified fan RPM.

Product - Fans shall be models ACRUB, ACRUB-HP or ACRUB-XP as manufactured by LOREN COOK COMPANY of Springfield, Missouri.

Upblast Centrifugal Exhaust Ventilator Roof Mounted Belt Drive



LOREN COOK COMPANY certifies that the ACRUB, ACRUB-HP and ACRUB-XP shown herein are licensed to bear the AMCA Seal. The ratings shown are based on tests and procedures performed in accordance with AMCA Publication 211 and AMCA Publication 311 and comply with the requirements of the AMCA Certified Ratings Program.

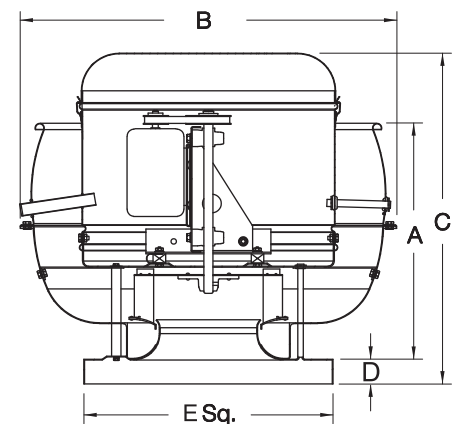


Type ACRUB, ACRUB-HP and ACRUB-XP are furnished standard with UL 705 and cUL 705 listings (Power Ventilator/ZACT) when furnished with factory supplied motor.

Dimension Data

Size	A	B	C			D	E Sq.	Roof Opening Square*	Ship. Wt.
			ACRUB	ACRUB-HP	ACRUB-XP				
100	12-1/2	25-1/4	20-3/16	-	-	2	18	13-1/2	30
120	19-1/16	30-3/16	28-1/4	-	-	2	20	15-1/2	61
135	19-1/16	30-3/16	28-5/8	-	-	2	20	15-1/2	66
150	20-15/16	34-11/16	30-1/4	27-1/2	-	2	24	19-1/2	77
165	20-15/16	34-11/16	30-3/4	27-3/4	26-11/16	2	24	19-1/2	83
180	24-13/16	39-7/16	35-7/8	33-3/8	31-9/16	3	30	25-1/2	100
195	24-13/16	39-7/16	36-3/8	33-1/2	32-1/8	3	30	25-1/2	110
210	25-15/16	45-1/4	38-3/8	35-3/8	32-3/4	3	30	25-1/2	220
225	25-15/16	45-1/4	38-1/8	35-1/2	33-5/16	3	30	25-1/2	242
245	28-1/2	49-1/4	41-1/16	37-5/16	34-1/16	3	30	25-1/2	264
270	28-1/2	49-1/4	41-1/16	37-5/16	35	3	36	31-1/2	286
300	33-7/8	54-1/4	49-15/16	45-15/16	41-7/16	3	36	31-1/2	336
330	34-1/8	54-1/4	50-7/16	46-11/16	43-1/8	3	42	37-1/2	374
365	36-3/8	64-1/4	52-7/16	48-7/16	44-1/4	3	42	37-1/2	420
402	37-7/8	64-1/4	54-11/16	-	-	3	48	43-1/2	484
445	31-5/8	76-1/4	57-3/16	-	-	3	54	49-1/2	556
490	33-3/8	76-1/4	58-1/16	-	-	3	54	49-1/2	715

All dimensions in inches. *Roof opening size for curbs supplied by LOREN COOK COMPANY only. Weights in pounds, less motor.



Centrifugal Exhaust Ventilator Wall Mounted Direct Drive

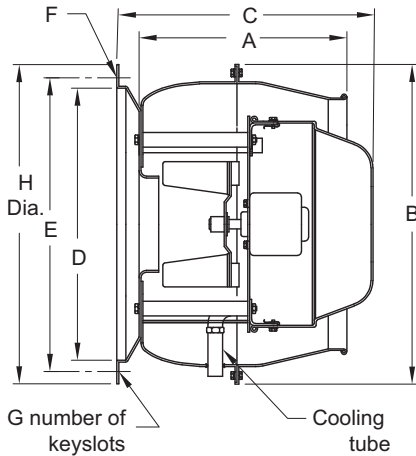


LOREN COOK COMPANY certifies that the ACWD, ACWD-EC, ACWD-HP, ACWDEC-HP, ACWD-XP, and ACWDEC-XP shown herein are licensed to bear the AMCA Seal. The ratings shown are based on tests and procedures performed in accordance with AMCA Publication 211 and AMCA Publication 311 and comply with the requirements of the AMCA Certified Ratings Program.

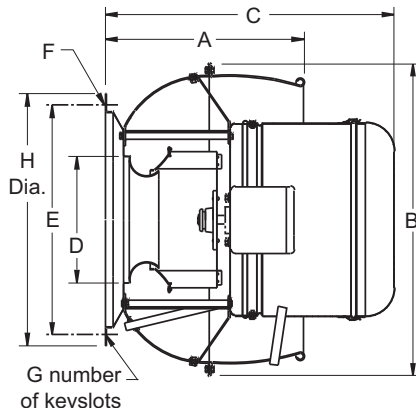


Type ACWD, ACWD-EC, ACWD-HP, ACWDEC-HP, ACWD-XP, and ACWDEC-XP are furnished standard with UL 705 and cUL 705 listings (Power Ventilator/ZACT).

Sizes 70 - 100



Sizes 101 - 195



Description - Fan shall be a spun aluminum, wall mounted, direct driven, horizontal centrifugal exhaust ventilator.

Certifications - Fan shall be manufactured at an ISO 9001 certified facility. Fan shall be listed by Underwriters Laboratories (UL 705) and UL listed for Canada (cUL 705). Fan shall bear the AMCA Certified Ratings Seal for Sound and Air Performance.

Construction - Fan shall be of bolted and welded construction utilizing corrosion resistant fasteners. The spun aluminum structural components shall be constructed of minimum 16 gauge marine alloy aluminum, bolted to a rigid aluminum support structure. The spun aluminum wall flange shall have pre-punched keyslot holes and a mounting template with wall opening location for ease of installation. The windband shall have a rolled bead for added strength. An integral conduit chase shall be provided into the motor compartment to facilitate wiring connections. The motor shall be enclosed in a weather-tight compartment, separated from the exhaust airstream. Unit shall bear an engraved aluminum nameplate. Nameplate shall indicate design CFM and static pressure. Unit shall be shipped in ISTA Certified Transit Tested Packaging.

Wheel - Wheel shall be centrifugal backward inclined, constructed of 100 percent aluminum, including a precision machined cast aluminum hub. Wheel inlet shall overlap an aerodynamic aluminum inlet cone to provide maximum performance and efficiency. Wheel shall be balanced in accordance with AMCA Standard 204-05, Balance Quality and Vibration Levels for Fans.

Motor - Motor shall be heavy duty type with permanently lubricated sealed bearings and furnished at the specified voltage, phase and enclosure.

Motor EC - Motor shall be an electronically commutated motor rated for continuous duty and furnished either with internally mounted potentiometer speed controller or with leads for connection to 0-10 VDC external controller.

Product - Fans shall be models ACWD, ACWD-EC, ACWDEC-HP, ACWDEC-XP, ACWD-HP or ACWD-XP as manufactured by LOREN COOK COMPANY of Springfield, Missouri.

Dimension Data

Size	A	B	C			D		E	F	G	H Dia.	Ship. Wt.
			ACWD	ACWD-HP	ACWD-XP	Wall Opening						
						Square	Round					
70	12-1/8	17-1/8	13	-	-	8	8	14-1/4	3/8	4	15-1/2	20
90	14-7/8	21-1/8	16	-	-	10	10	19-3/4	3/8	4	21-1/4	28
100	14-7/8	21-1/8	16	-	-	10	10	19-3/4	3/8	4	21-1/4	30
101	13	25-3/16	21-3/8	-	-	10	10	19-3/4	3/8	4	21-1/4	30
120	18-7/16	30-3/16	28-1/4	-	-	12	12	23-1/2	3/8	4	25	67
135	18-7/16	30-3/16	28-3/4	-	-	12	12	23-1/2	3/8	4	25	72
150	20-1/16	34-11/16	30-3/8	27-5/8	-	16	14	28-1/2	3/8	8	30	87
165	20-1/16	34-11/16	30-7/8	27-7/8	26-13/16	16	14	28-1/2	3/8	8	30	90
180	22-11/16	39-7/16	35-5/8	33-1/8	31-5/16	20	18	34-1/2	3/8	8	36	102
195	22-11/16	39-7/16	-	33-1/4	31-7/8	20	22	34-1/2	3/8	8	36	110

All dimensions in inches. Weights in pounds.

Description - Fan shall be a spun aluminum, wall mounted, belt driven, horizontal centrifugal exhaust ventilator.

Certifications - Fan shall be manufactured at an ISO 9001 certified facility. Fan shall be listed by Underwriters Laboratories (UL 705) and UL listed for Canada (cUL 705). Fan shall bear the AMCA Certified Ratings Seal for Sound and Air Performance.

Construction - Fan shall be of bolted and welded construction utilizing corrosion resistant fasteners. The spun aluminum structural components shall be constructed of minimum 16 gauge marine alloy aluminum, bolted to a rigid aluminum support structure. The spun aluminum wall flange shall have pre-punched keyslot holes and a mounting template with wall opening location for ease of installation. The windband shall have a rolled bead for added strength. A two piece top cap shall have stainless steel quick release latches to provide access into the motor compartment without the use of tools. An integral conduit chase shall be provided into the motor compartment to facilitate wiring connections. The motor, bearings and drives shall be mounted on a minimum 14 gauge steel power assembly. These components shall be enclosed in a weather-tight compartment, separated from the exhaust airstream. Lifting lugs shall be provided to help prevent damage from improper lifting. Unit shall bear an engraved aluminum nameplate. Nameplate shall indicate design CFM, static pressure and maximum fan RPM. Unit shall be shipped in ISTA Certified Transit Tested Packaging.

Wheel - Wheel shall be centrifugal backward inclined, constructed of 100 percent aluminum, including a precision machined cast aluminum hub. Wheel inlet shall overlap an aerodynamic aluminum inlet cone to provide maximum performance and efficiency. Wheel shall be balanced in accordance with AMCA Standard 204-05, Balance Quality and Vibration Levels for Fans.

Motor - Motor shall be NEMA design B with class B insulation rated for continuous duty and furnished at the specified voltage, phase and enclosure.

Bearings - Bearings shall be designed and individually tested specifically for use in air handling applications. Construction shall be heavy duty regreasable ball type in a cast iron pillowblock housing selected for a minimum L50 life in excess of 200,000 hours at maximum cataloged operating speed.

Belts and Drives - Belts shall be oil and heat resistant, non-static type. Drives shall be precision machined cast iron type, keyed and securely attached to the wheel and motor shafts. Drives shall be sized for 150 percent of the installed motor horsepower. The variable pitch motor drive must be factory set to the specified fan RPM.

Product - Fans shall be models ACWB, ACWB-HP or ACWB-XP as manufactured by LOREN COOK COMPANY of Springfield, Missouri.

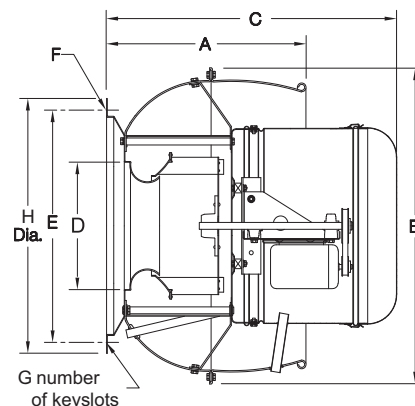
Centrifugal Exhaust Ventilator Wall Mounted Belt Drive



LOREN COOK COMPANY certifies that the ACWB, ACWB-HP and ACWB-XP shown herein are licensed to bear the AMCA Seal. The ratings shown are based on tests and procedures performed in accordance with AMCA Publication 211 and AMCA Publication 311 and comply with the requirements of the AMCA Certified Ratings Program.



Type ACWB, ACWB-HP and ACWB-XP are furnished standard with UL 705 and cUL 705 listings (Power Ventilator/ZACT) when furnished with factory supplied motor.



Dimension Data

Size	A	B	C			D Wall Opening		E	F	G	H Dia.	Ship. Wt.
			ACWB	ACWB-HP	ACWB-XP	Square	Round					
100	13	25-3/16	21-3/8	-	-	10	10	19-3/4	3/8	4	21-1/4	30
120	18-7/16	30-3/16	28-1/4	-	-	12	12	23-1/2	3/8	4	25	60
135	18-7/16	30-3/16	28-3/4	-	-	12	12	23-1/2	3/8	4	25	65
150	20-1/16	34-11/16	30-3/8	27-5/8	-	16	14	28-1/2	3/8	4	30	70
165	20-1/16	34-11/16	30-7/8	27-7/8	26-13/16	16	14	28-1/2	3/8	4	30	75
180	22-11/16	39-7/16	35-5/8	33-1/8	31-5/16	20	18	34-1/2	3/8	8	36	100
195	22-11/16	39-7/16	36-1/8	33-1/4	31-7/8	20	22	34-1/2	3/8	8	36	110
210	23-11/16	45-1/4	37-3/4	34-3/4	32-1/8	24	22	39-1/2	3/8	8	41	210
225	23-11/16	45-1/4	38-1/4	35-5/8	33-7/16	24	22	39-1/2	3/8	8	41	215
245	25-5/16	49-1/4	39-7/8	36-1/8	32-7/8	24	22	43-1/2	3/8	8	45	250

All dimensions in inches. Weights in pounds, less motor.

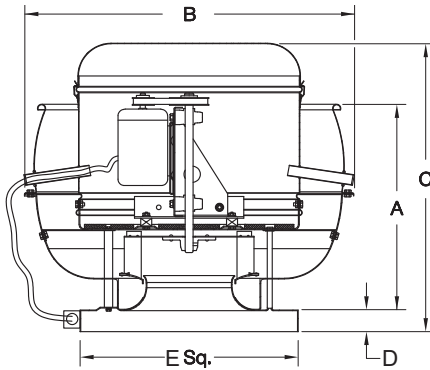
Upblast Centrifugal Smoke Control Ventilator Roof Mounted Belt Drive



LOREN COOK COMPANY certifies that the ACSC, ACSC-HP and ACSC-XP shown herein are licensed to bear the AMCA Seal. The ratings shown are based on tests and procedures performed in accordance with AMCA Publication 211 and AMCA Publication 311 and comply with the requirements of the AMCA Certified Ratings Program.



Type ACSC, ACSC-HP and ACSC-XP are furnished standard with UL listing for "Power Ventilator for Smoke Control Systems."



Description: Fan shall be a spun aluminum style, roof mounted, belt driven, high temperature upblast centrifugal exhaust ventilator.

Certifications: Fan shall be manufactured at an ISO 9001 certified facility. Fan shall be listed by Underwriters Laboratories as a "Power Ventilator for Smoke Control Systems" and UL listed as "Power Ventilator for Smoke Control Systems Certified for Canada". Fan shall bear the AMCA Certified Ratings Seal for Sound and Air Performance.

Construction: The fan shall be of bolted and welded construction utilizing corrosion resistant fasteners. The spun aluminum structural components shall be constructed of minimum 16 gauge marine alloy aluminum, bolted to a rigid aluminum support structure. The steel base shall have a one piece inlet spinning and continuously welded curb cap corners for maximum leak protection. The windband shall have a rolled bead for added strength. A two piece top cap shall have stainless steel quick release latches to provide access into the motor compartment without the use of tools. An external wiring compartment with integral conduit chase shall be provided into the motor compartment to facilitate wiring connections. The motor, bearings and drives shall be mounted on a minimum 14 gauge steel power assembly. These components shall be enclosed in a weather-tight compartment, separated from the exhaust airstream. A one inch thick, three pound density foil backed heat shield shall be utilized to protect the motor and drive components from excessive heat. Lifting lugs shall be provided to help prevent damage from improper lifting. Unit shall be tested to operate at 500° F for 4 hours per IRI requirements and operate at 1000° F in excess of 15 minutes per SBCCI requirements. Unit shall bear an engraved aluminum nameplate. Nameplate shall indicate design CFM, static pressure and maximum fan RPM. Unit shall be shipped in ISTA Certified Transit Tested Packaging.

Wheel: Wheel shall be centrifugal backward inclined, constructed of steel, including a precision machined steel hub. Wheel inlet shall overlap an aerodynamic steel inlet cone to provide maximum performance and efficiency. Wheel shall be balanced in accordance with AMCA Standard 204-05, Balance Quality and Vibration Levels for Fans.

Motor - Motor shall be NEMA design B with class B insulation rated for continuous duty and furnished at the specified voltage, phase and enclosure.

Bearings: Bearings shall be designed and individually tested specifically for use in air handling applications. Construction shall be heavy duty regreasable ball type in a cast iron pillowblock housing selected for a minimum L50 life in excess of 200,000 hours at maximum cataloged operating speed.

Belts and Drives: Belts shall be oil and heat resistant, non-static type. Drives shall be precision machined cast iron type, keyed and securely attached to the wheel and motor shafts. Drives shall be sized for 150 percent of the installed motor horsepower. The variable pitch motor drive must be factory set to the specified fan RPM.

Product: Fans shall be models ACSC, ACSC-HP or ACSC-XP as manufactured by LOREN COOK COMPANY of Springfield, Missouri.

Dimension Data

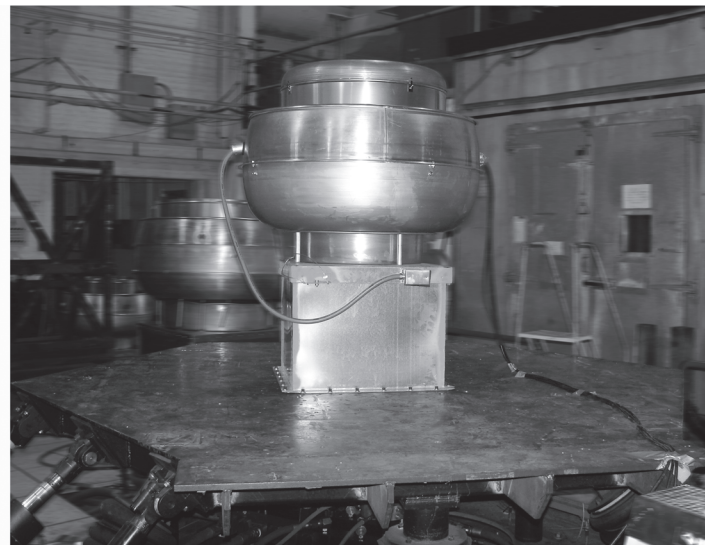
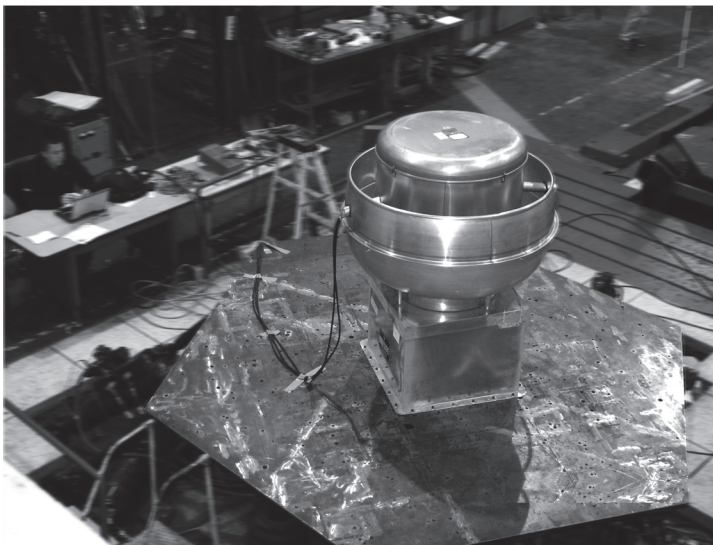
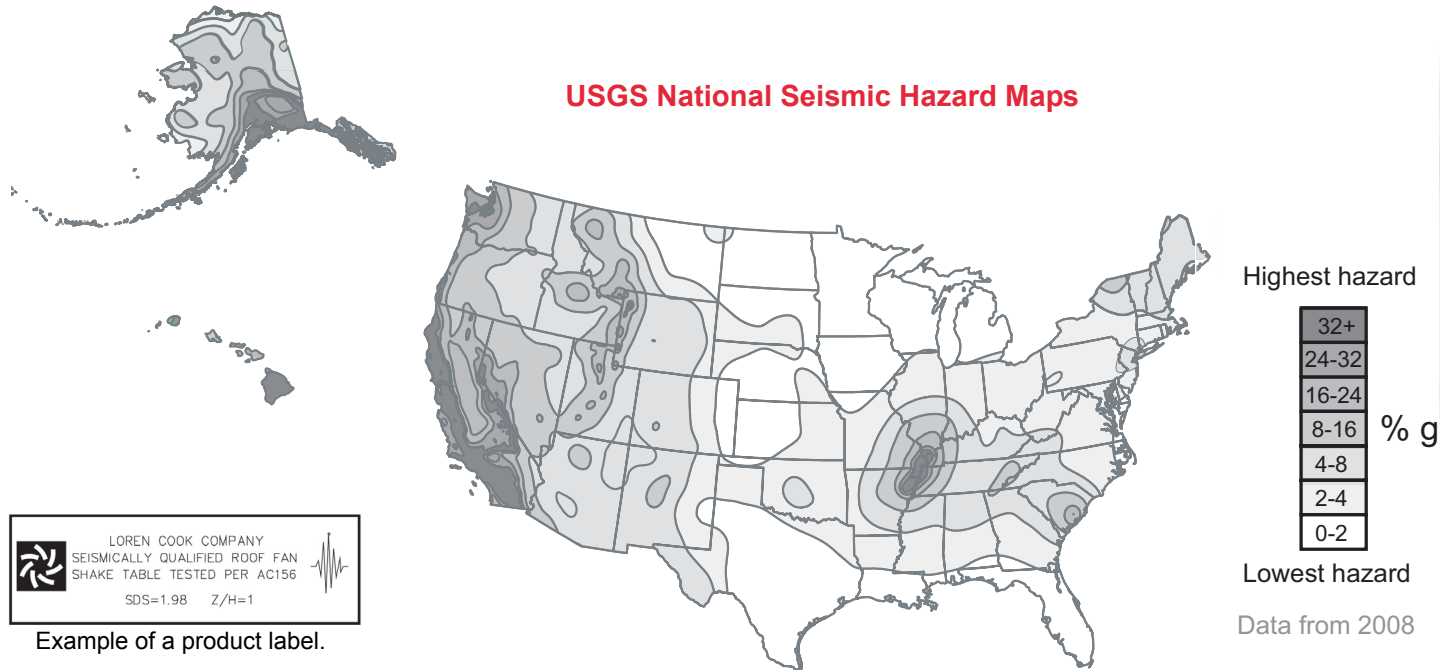
Size	A	B	C			D	E Sq.	Roof Opening Square*	Ship. Wt.
			ACSC	ACSC-HP	ACSC-XP				
100	12-1/2	25-1/4	20-3/16	-	-	2	18	13-1/2	36
120	19-1/16	30-3/16	28-1/4	-	-	2	20	15-1/2	69
135	19-1/16	30-3/16	28-5/8	-	-	2	20	15-1/2	75
150	20-15/16	34-11/16	30-1/4	27-1/2	-	2	24	19-1/2	88
165	20-15/16	34-11/16	30-3/4	27-3/4	26-11/16	2	24	19-1/2	96
180	24-13/16	39-7/16	35-7/8	33-3/8	31-9/16	3	30	25-1/2	114
195	24-13/16	39-7/16	36-3/8	33-1/2	32-1/8	3	30	25-1/2	126
210	25-15/16	45-1/4	38-3/8	35-3/8	32-3/4	3	30	25-1/2	239
225	25-15/16	45-1/4	38-1/8	35-1/2	33-5/16	3	30	25-1/2	267
245	28-1/2	49-1/4	41-1/16	37-5/16	34-1/16	3	30	25-1/2	294
270	28-1/2	49-1/4	41-1/16	37-5/16	35	3	36	31-1/2	322
300	33-7/8	54-1/4	49-15/16	45-15/16	41-7/16	3	36	31-1/2	397
330	34-1/8	54-1/4	50-7/16	46-11/16	43-1/8	3	42	37-1/2	441
365	36-3/8	64-1/4	52-7/16	48-7/16	44-1/4	3	42	37-1/2	499
402	37-7/8	64-1/4	54-11/16	-	-	3	48	43-1/2	612
445	31-5/8	76-1/4	57-3/16	-	-	3	54	49-1/2	709
490	33-3/8	76-1/4	58-1/16	-	-	3	54	49-1/2	816

All dimensions in inches. *Roof opening size for curbs supplied by LOREN COOK COMPANY only. Weights in pounds.

The ACRU & ACSC models have been shaketable tested to a spectral response acceleration of 1.93G's. ($S_{DS} = 1.93$). The tests were conducted in accordance with the criteria specified in AC156.

The unit and roof curb were tested as an assembly. The test were accepted by California OSHPD as part of the pre-approval of these products.

California OSHPD – Office of Statewide Health Planning and Development. OSHPD is the only state or federal organization that pre-approves mechanical equipment as seismically sound. OSHPD requires that the shaketable testing be witnessed by a California professional engineer and the test report must be reviewed by a California structural engineer.



Seismic Simulation Test on Multi-Axis Shake Table

Miami-Dade County Product Control Approved Florida Product Approval

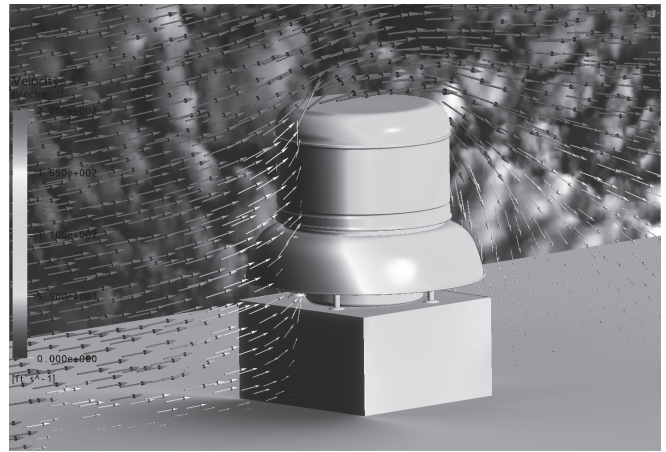
LOREN COOK COMPANY'S "Hurricane Rated Construction" option was developed for the demands of high wind and coastal areas. Through rigorous research and testing, this construction option was developed to meet the demands of Miami-Dade County's Testing Application Standards (TAS) 201, 202 and 203. Each of these fan has passed all three of the TAS testing protocols. In addition, all of these products have received approval from the Florida Building Commission.

The hurricane rated construction option was engineered so that the fans have the same physical size as the standard construction units. In addition, the fan's air and sound performance, as shown in the product catalogs and Compute A Fan® selection software, remains identical to the standard construction products. Approved attachment details are included in the Notice of Acceptance documents on the Miami-Dade County Florida website (miamidade.gov) and the Florida Building Commission website (floridabuilding.org). The approved attachment details do not require the use of external tie downs to the roof. Installation of the fans to an approved roof curb must be in accordance with these details to meet the Miami-Dade County and Florida Building Commission approvals.

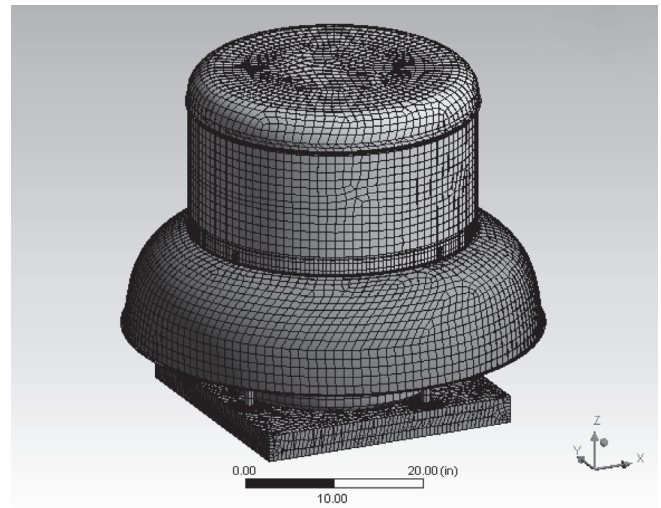
In the early stages of development, products were modeled with Computational Fluid Dynamics (CFD) to determine the stress points as air flowed around the fans at speeds of 150 MPH. Next, Finite Element Analysis (FEA) was utilized to model and evaluate stress plots. Finally, the proper material gauges and hardware were determined so the fans would survive these high wind loads.

In the next step of testing, products were placed in an aerodynamic wind tunnel. They were tested to a 150 MPH sustained wind to determine the product's resistance to wind load.

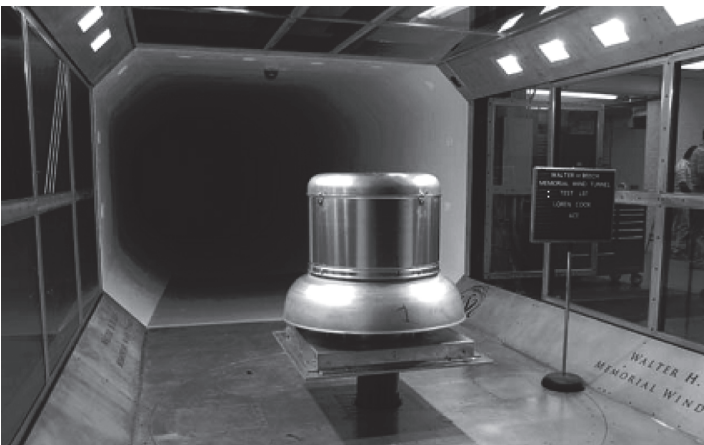
(Continued next page.)



Computational Fluid Dynamics



Finite Element Analysis



Full Scale Wind Tunnel Testing

Finally, the fans *passed not one, not two, but all three approval tests.*

TAS-201: Large Missile Impact Test - determines sufficient resistance to wind-borne debris as determined by the Florida Building Code, Section 1626 for maintaining the envelope of the building. Test employs an 8* foot Southern Pine 2" x 4" beam, weighing 9* pounds; shot from an air cannon at (50 ft/ sec) with resulting damage not to exceed specified tolerances allowed by *Section 1626.2.8.*

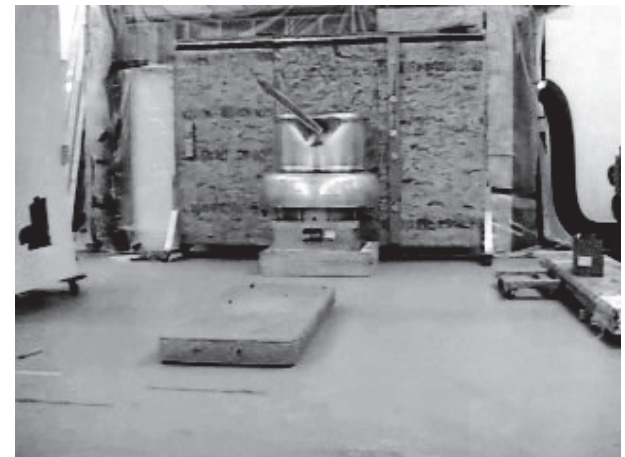
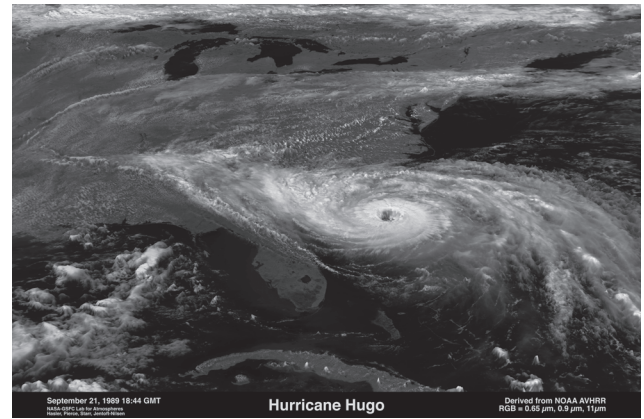
TAS-202: Uniform Static Air Pressure Test - determines sufficient resistance to wind forces as determined by Florida Building Code, Section 1620 and Section 1625 for maintaining the overall envelope of the building. Test employs a sealed pressure envelope both inside and outside of the test product (allowing for both positive and negative static pressure tests) to determine if the product provides sufficient resistance to wind forces as required by Section 1620.

TAS-203: Cyclic Wind Pressure Test - determines sufficient resistance to fatigue failure due to repeated exposure to wind pressure as required by Florida Building Code *Section 1620* . Test employs a sealed pressure envelope to repeatedly apply (671 cycles) positive and negative static pressure forces, lasting 1 to 3 seconds each, on the product surface following completion of the missile impact test.

* *Indicates an approximate value based on a range allowed by specified test standards.*

Note: High wind models do not have easy access tops.

All tests were performed in the progressive manner of TAS-202, TAS-201, then TAS-203 on the same piece of equipment in an accredited independent laboratory.



Missile Impact Testing



Pressure Testing

Products	Sizes	TAS-201	TAS-202	TAS-203	NOA Number / Expiration Date*	Florida Product Approval
ACEB	60 - 300	PASSED	PASSED	PASSED	08-0424.03 / 10-2-2013	FL11693
ACED	70 - 180	PASSED	PASSED	PASSED		
ACRUB, ACRUB-HP, ACRUB-XP	100 - 300	PASSED	PASSED	PASSED	08-0902.01 / 11-13-2013	FL11695
ACSC, ACSC-HP, ACSC-XP	100 - 300	PASSED	PASSED	PASSED		
ACRUD, ACRUD-HP, ACRUD-XP	70 - 195	PASSED	PASSED	PASSED		
VCRD, VCRD-HP, VCRD-XP	100 - 195	PASSED	PASSED	PASSED		
VCR, VCR-HP, VCR-XP	100 - 300	PASSED	PASSED	PASSED	08-0314.05 / 9-4-2013	FL11691
SRSH-B	60 - 270	PASSED	PASSED	PASSED		
SRSH-D	60 - 180	PASSED	PASSED	PASSED	08-0424.02 / 10-2-2013	FL11692
CPS** / CPS-A** / CPV**	60 - 245	PASSED	PASSED	PASSED		
TLCH-B	100 - 365	PASSED	PASSED	PASSED	09-0423.06 / 4-22-2014	FL3287
TLCH-D	70 - 180	PASSED	PASSED	PASSED		



*NOA Number / Expiration Date issued by Miami-Dade County, Florida Building Code Compliance Office, Product Control Division **Tested with Inlet Box and Curb Cap.

Automatic Belt Tensioner



The automatic belt tensioner maintains constant tension on the drive belt which offers two distinct benefits. It reduces startup and maintenance costs by continuously tensioning the belt throughout its life and also increases belt life by reducing slippage. Engineering studies indicate properly tensioned belts can operate at 15° to 20° F cooler internal temperature than poorly tensioned belts. A drive belt industry rule of thumb is that every 18° F increase in internal temperature will reduce belt life by 50%. The automatic belt tensioner will easily double belt life compared to installations where belt tension is not properly maintained. COOK's spun aluminum fans have stainless steel quick release latches on the topcap, providing tool free access to the automatic belt tensioner and motor compartment. The drive belt can be replaced in moments (by almost anyone) without the special skills and tools normally needed to achieve proper belt tension. Too much belt tension can reduce the life of both the fan and motor bearings. The COOK automatic belt tensioner will assure proper belt tension throughout the life of the fan, maximizing bearing life and fan reliability. Available on sizes 60 - 540.

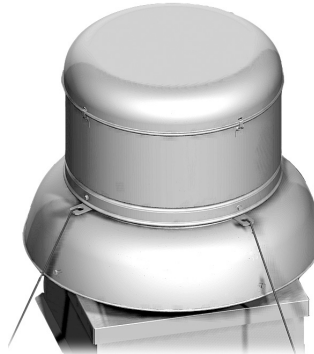
Extended Lube Lines

Extended lube lines provide a quick and convenient way to lubricate the bearings while the fan is operating.



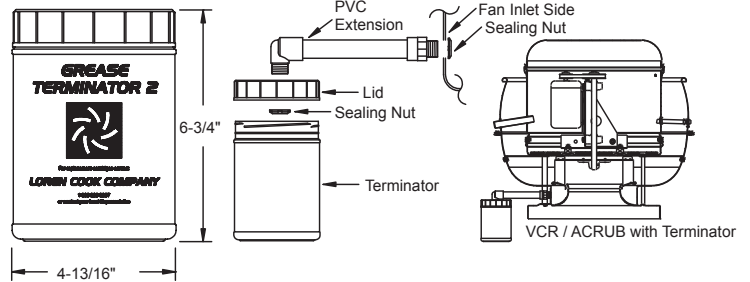
Tie Downs

Tie downs offer locations for field attachment of the fan to the roof deck or supporting structure. The tie down points help protect against high windloads.

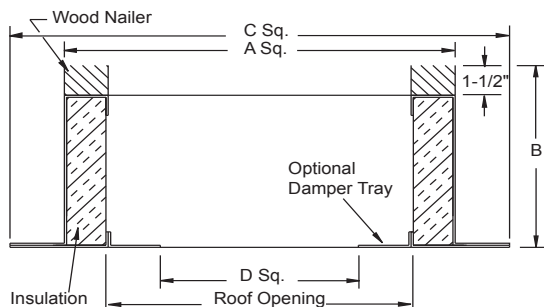


Grease Terminator - ACRU / ACW

The Grease Terminator 2 is a grease-capture and containment system.



Roof Curb



Standard Construction Features

- 18 gauge galvanized steel (RCG) or .080 aluminum (RCA).
- 1-1/2", 3 lbs. density thermal and acoustical insulation.
- Continuously welded corners.
- Wood nailer.

Options

- Damper tray.
- No wood nailer (deduct 1-1/2" for actual height).
- 13-1/2" tall construction.

Roof Curb Dimension Data

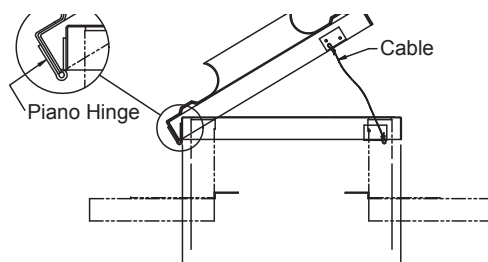
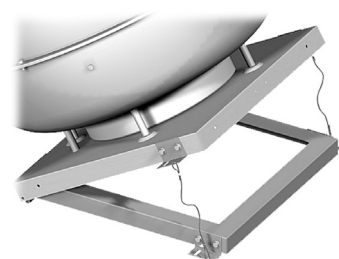
AC Unit	Roof Curb		Sound Attenuator Curb		A Sq.	Roof Curb	Sound Attenuator Curb	C Sq.	D Sq.	Roof Opening
	Catalog Number		Catalog Number			B	B*			
	Galvanized	Aluminum	Galvanized	Aluminum						
60, 70, 80, 90, 100, 101	RCG-16	RCA-16	RCG-AT-16	RCA-AT-16	16-1/2	9-1/2	16	20-1/2	9-3/4	13-1/2
120, 135	RCG-18	RCA-18	RCG-AT-18	RCA-AT-18	18-1/2	9-1/2	16	22-1/2	11-3/4	15-1/2
150, 165	RCG-22	RCA-22	RCG-AT-22	RCA-AT-22	22-1/2	9-1/2	16	26-1/2	15-3/4	19-1/2
180, 195, 210, 225, 245	RCG-28	RCA-28	RCG-AT-28	RCA-AT-28	28-1/2	9-1/2	16	32-1/2	21-3/4	25-1/2
270, 300	RCG-34	RCA-34	RCG-AT-34	RCA-AT-34	34-1/2	9-1/2	16	38-1/2	27-3/4	31-1/2
330, 365	RCG-40	RCA-40	RCG-AT-40	RCA-AT-40	40-1/2	9-1/2	16	44-1/2	33-3/4	37-1/2
402	RCG-46	RCA-46	RCG-AT-46	RCA-AT-46	46-1/2	9-1/2	16	50-1/2	39-3/4	43-1/2
445, 490	RCG-52	RCA-52	RCG-AT-52	RCA-AT-52	52-1/2	9-1/2	16	56-1/2	45-3/4	49-1/2
540	RCG-64	RCA-64	RCG-AT-64	RCA-AT-64	64-1/2	9-1/2	16	68-1/2	56-3/4	61-1/2

All dimensions in inches. When motor operated damper is used, a wood nailer is required. *Add 8" when installed with a damper

Sound Attenuator Curb: Average Sound Level Reduction

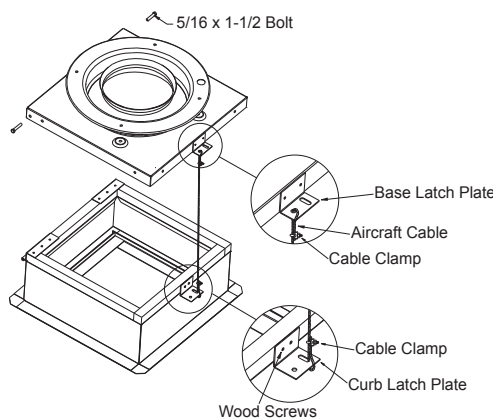
OB1	OB2	OB3	OB4	OB5	OB6	OB7	OB8
-5	-11	-9	-14	-18	-28	-35	-25

Hinged Base



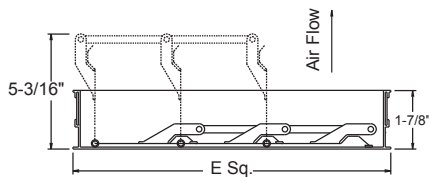
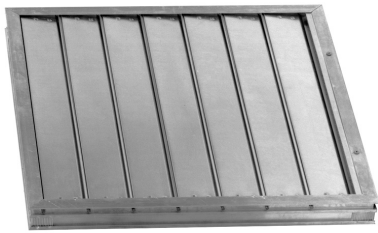
The hinged base is a factory welded sub-base, hinge and locking hasp that provides a secure and stable means of access to the inlet and interior ductwork for cleaning and inspection. Galvanized aircraft cable is installed on the hinged base to support the fan in an open position. Available on sizes 100 through 300, consult factory on larger sizes.

Hinged Base Kit



The hinged base kit is a field installed option which provides a lockable, hinged connection between the fan and curb. This allows easy access to the wheel and inlet of the fan as well as the interior ductwork. The kit includes two hinge plates, two latch plates, hinge bolts, aircraft cable and clamps. Available on sizes 100 through 300, consult factory on larger sizes.

Gravity Backdraft Damper



ACW

Unit Size	Catalog Number	E Sq.
70	BD-8	7-3/4
90, 100, 101	BD-10	9-3/4
120, 135	BD-12	11-3/4
150, 165	BD-16	15-3/4
180, 195	BD-20	19-3/4
210, 225, 245	BD-24	23-3/4

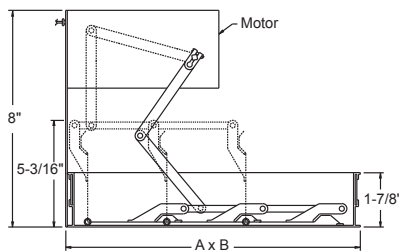
ACE / ACRU

Unit Size	Catalog Number	E Sq.
60, 70, 80, 90, 100, 101	BD-12	11-3/4
120, 135	BD-14	13-3/4
150, 165	BD-18	17-3/4
180, 195, 210, 225, 245	BD-24	23-3/4
270, 300	BD-30	29-3/4
330, 365	BD-36	35-3/4
402	BD-42	41-3/4
445, 490	BD-48	47-3/4
540	BD-60	59-3/4

All dimensions in inches.

Gravity dampers feature an extruded aluminum frame, aluminum blades and aluminum hinge pins with nylon bushings. Not available with the ACSC.

Motorized Backdraft Damper - ACE / ACRU



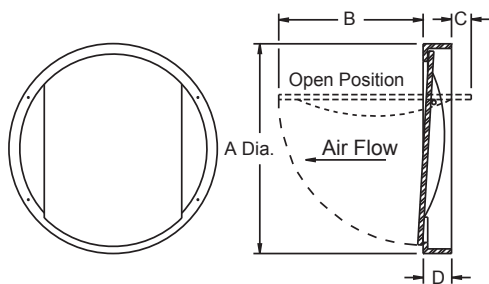
ACE / ACRU

Unit Size	Catalog Number	E Sq.
60, 70, 80, 90, 100, 101	BDM-12	11-3/4
120, 135	BDM-14	13-3/4
150, 165	BDM-18	17-3/4
180, 195, 210, 225, 245	BDM-24	23-3/4
270, 300	BDM-30	29-3/4
330, 365	BDM-36	35-3/4
402	BDM-42	41-3/4
445, 490	BDM-48	53-3/4
540	BDM-60	59-3/4

All dimensions in inches.

Motorized dampers feature an extruded aluminum frame, aluminum blades and aluminum hinge pins with nylon bushings. Motors are shipped loose for field installation. Available volt-ages include 110V, 220V, and 440V. Not available with the ACSC.

Damper - ACW

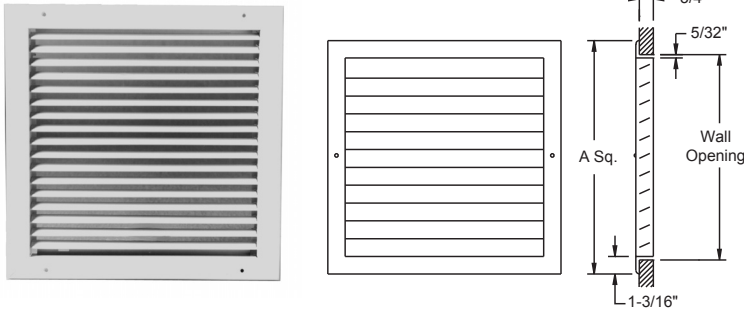


Unit Size	Catalog Number	A Dia.	B	C	D	No. of Blades
70	D-8	7-15/16	4-1/2	2	3/4	1
90, 100, 101	D-10	9-15/16	5-3/4	2-3/4	3/4	1
120, 135	D-12	11-15/16	7	3	3/4	1
150, 165	D-14	13-15/16	8-1/2	4	3/4	1
180	D-18	17-15/16	4	3	3/4	2
195, 210, 225, 245	D-22	21-15/16	5-1/2	2-1/2	1	3

All dimensions in inches.

Gravity dampers feature an aluminum frame, aluminum blades and aluminum hinge pins with nylon bushings.

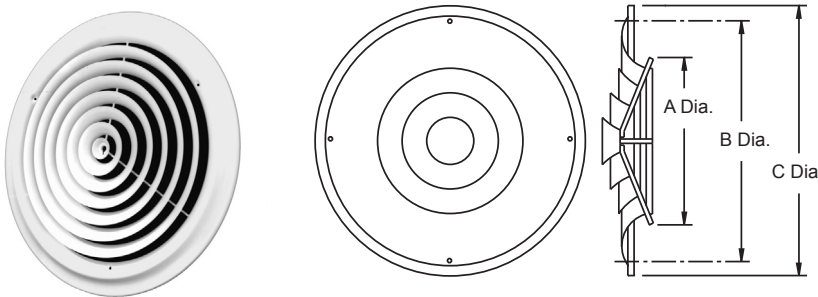
Square Inlet Grille - ACW



Unit Size	Catalog Number	A Sq.	Wall Opening	Damper	
				Model	Size
70	SG-8	10	8	BD-8	7-3/4
90, 100, 101	SG-10	12	10	BD-10	9-3/4
120, 135	SG-12	14	12	BD-12	11-3/4
150, 165	SG-16	18	16	BD-16	15-3/4
180, 195	SG-20	22	20	BD-20	19-3/4
210, 225, 245	SG-24	26	24	BD-24	23-3/4

All dimensions in inches.

Round Inlet Grille - ACW



Unit Size	Catalog Number	A Dia.	B Dia. Mtg. Hole	C Dia.
70	G-8	7-3/4	8-1/2	12
90, 100, 101	G-10	9-13/16	10-9/16	14
120, 135	G-12	11-13/16	12-9/16	16
150, 165	G-14	13-13/16	14-9/16	18
180	G-18	17-13/16	21-3/4	23

All dimensions in inches.

COOK Type A Construction

COOK Type A construction option gives an AC unit superior corrosion resistance. The fan shaft and all steel fasteners exposed to the exterior environment are furnished with 304 stainless steel components. All other steel components exposed to the exterior environment are furnished with aluminum components. This option should not be interpreted to be an indication of spark resistance. Not available on ACSC.

Optional Coatings

Lorenized® is an electrostatically applied, baked polyester powder coating. Each component shall be subject to a five stage environmentally friendly wash system, followed by a minimum 2 mil thick baked powder finish. Coating must exceed 1,000 hour salt spray under ASTM B117 test method.

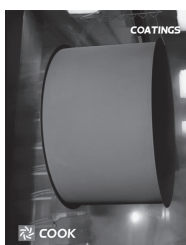
COOK Epoxy Powder is an electrostatically applied, baked epoxy powder coating. Final coating thickness is 2.5 - 3.5 mils. For outdoor applications an optional UV resistant topcoat is available to prevent cosmetic chalking of the coating.

COOK Phenolic Epoxy Powder is an electrostatically applied, baked phenolic epoxy powder coating. Final coating thickness is 2 - 4 mils. For outdoor applications an optional UV resistant topcoat is required to prevent deterioration of the coating.

COOK Easy Clean Powder is an electrostatically applied, baked modified epoxy silicone powder producing a high temperature "non-stick" coating. Final coating thickness is 1.3 - 1.7 mils.

Air Dry Phenolic (Heresite VR-504) is a conventional spray applied phenolic resin coating. Final coating thickness is 4 - 6 mils. For outdoor applications an optional UV resistant topcoat (Heresite UC-5500) is required to prevent deterioration of the coating.

Refer to the corrosion resistance guide in the Compute-A-Fan software for a listing of the coatings above and their resistance to a variety of chemicals. Additional special coatings are available.



Read more in the Coating catalog

Typical Disconnect Switches



NEMA 1



**NEMA 1
(Lockable)**



**NEMA 1
(Heavy Duty)**



NEMA 3R



NEMA 4



**NEMA 7
NEMA 9**

NEMA 1 - Indoor general purpose.

NEMA 1 (Lockable) - Indoor general purpose with locking capability.

NEMA 1 (Heavy Duty, Lockable) - Indoor heavy duty visible blade.

NEMA 3R - Exterior mount, rain-tight.

NEMA 4 - Water-tight and dust-tight.

NEMA 7 and NEMA 9 - Lockable, indoor, explosion proof.

Fan Speed Control



5 AMP FSC

10 AMP FSC

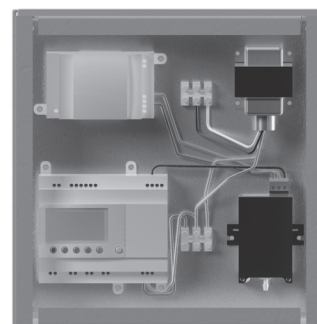
COOK's FSC is a variable speed controller which can offer excellent energy conservation and lower sound levels when 100 percent of a direct drive fan operating capacity is not required. The FSC employs solid state circuitry for long life and dependability. The FSC is available only on 115V and 230V shaded pole or permanent split capacitor direct drive motors and is not available on 1140 RPM and 1725 RPM motors. The FSC is normally shipped loose for field installation. Optional pre-wiring is available.

Fan Speed Control for EC Motors



External Speed Control for the COOK EC Motor allows the fan speed to be adjusted remotely via an easy to read dial. The controller allows for adjustment from 20-100% of the fan speed. The controller works with the external signal version of the COOK EC Motor and requires 24 VAC power for operation. It is shipped loose for field installation.

Pressure Control for EC Motors



Constant pressure controller for the COOK EC Motor is for applications where the fan is intended to maintain a near constant pressure in a system such as dryer vents. The pressure controller reads the pressure in a duct system via the provided pressure transducer and automatically adjusts the fan rpm to maintain a preset value. The controller works with the external signal version of the COOK EC Motor and is shipped loose for field installation.

Motors

Direct Drive

All direct drive motors are standard single phase 115-volt.

- Sizes 70 through 100 are either shaded pole, permanent split capacitor type motors, or electronically commutated.
- Sizes 120 through 180 are either permanent split capacitor (1075, 1300, or 1550 rpm motors), split phase (1140 or 1725 rpm motors), or commutated.
- FSC can only be used on either shaded pole or permanent split capacitor type motors.

Optional motors:

- Two speed, single-phase open motors supplied as 1725 RPM motors are 1725/1140, or 1140 RPM motors are 1140/860.
- Explosion proof motors are available for some units, contact factory for details.
- These optional motors cannot use an FSC.

Vari-Flow® EC Motors

Electronically Commutated (EC) Motors offer significantly improved energy efficiency and controllability over traditional fractional HP motors. COOK EC motors are offered in 1/4, 1/2 and 3/4 HP sizes for 120 volt, single phase applications. These totally enclosed, non-ventilated (TENV) motors have an adjustable speed range from 500 to 1725 RPM.

There are 2 versions of the EC motor:

- The “Motor Mounted Speed Control” version includes an integral potentiometer mounted on the exterior of the motor (as shown above) for precise adjustment of the motor speed. A screwdriver is used during field balancing to set the desired speed. This is a “set it and forget it” fan speed control.
- The “External Signal Speed Control” version requires a 0-10 volt DC signal to adjust the speed of the motor. This external signal speed control option is used when you need to adjust the fan speed during typical operation. The designer may choose to change fan speed due to changes in duct pressure, building load, temperature, time, etc. This motor can be paired with our optional fan speed control or pressure controller or connected to the building automation system. The motor will operate from 2-10 VDC and will turn off when the control signal is below 1.9 VDC.

Belt Drive

Single-phase motors:

- Open drip motors from 1/6 to 1-1/2 HP.
- Two-speed, motors in 1725/1140RPM, from 1/6 to 1 HP.
- TEFC and Class 1, Group D, explosion proof motors from 1/4 to 1 HP.

Three-phase motors:

- Three-phase ODP motors from 1/4 to 10 HP.
- Two-speed, two winding motors in 1725/1140 RPM, from 1/3 to 5 HP.
- TEFC and Class 1, Group D, explosion proof motors from 1/4 to 10 HP.
- Variable Frequency Drive (VFD) compatible motors are available, contact factory for details.

All single-phase and three-phase, single speed, open drip motors listed in performance tables are shipped factory installed.

70 - 135 ACED EC, 70 ACED Data

70 - 135 ACED EC

Catalog Number	HP	RPM	Tip Speed	Max. Watts	CFM at Static Pressure																					
					0.00" SP		0.125" SP		0.25" SP		0.375" SP		0.5" SP		0.63" SP		0.75" SP		0.88" SP		1" SP		1.25" SP		1.5" SP	
					Sones	Watts	Sones	Watts	Sones	Watts	Sones	Watts	Sones	Watts	Sones	Watts	Sones	Watts	Sones	Watts	Sones	Watts	Sones	Watts	Sones	Watts
70C17DEC	1/4	429	786	5	77																					
		861	1577	12	0.2 5																					
					155																					
		1293	2369	25	1.6 12																					
233					147		63																			
1725	3161	49	4.0 25		3.2 20		3.3 15																			
			311		244		184		125																	
90C17DEC	1/4	516	1215	8	234																					
		919	2165	24	0.4 8																					
					417		275																			
		1322	3114	58	3.2 24		2.4 22																			
600					506		403		285																	
1725	4064	120	6.7 58		6.1 55		5.5 52		5.0 44																	
			783		710		639		561		474		383		271											
100C17DEC	1/4	471	1233	11	247																					
		889	2327	32	0.2 11																					
					466		345		120																	
		1307	3421	76	3.6 32		2.9 27		2.5 18																	
685					607		522		414																	
1725	4516	160	7.9 73		7.3 74		6.9 72		6.6 67																	
			904		845		785		721		652		569		465		329									
101C17DEC	1/4	471	1233	6	268																					
		889	2327	23	0.2 6																					
					506		411																			
		1307	3421	61	2.9 21		2.8 23																			
744					690		617		536		377															
1725	4516	130	7.3 53		7.1 60		6.9 61		6.8 56																	
			982		942		898		843		783		723		644		487									
120C17DEC	1/2	498	1564	13	506																					
		907	2849	59	0.9 13																					
					921		813		689																	
		1316	4134	162	4.5 52		4.5 56		4.1 59																	
1337					1265		1188		1104		1019		916		768											
1725	5419	353	9.8 141		9.8 148		9.7 154		9.4 159		9.1 162		8.7 162		8.3 159											
			1752		1698		1642		1584		1521		1457		1393		1327		1253		1047					
135C17DEC	3/4	561	1982	32	852		632																			
		949	3354	124	2.0 29		1.7 32																			
					1441		1326		1198		1046															
		1337	4725	326	6.4 107		6.4 116		6.2 122		5.8 124															
2031					1950		1867		1779		1684		1582		1467		1321									
1725	6096	685	12.7 278		12.7 292		12.7 304		12.5 314		12.2 321		11.9 325		11.5 326		11.2 319									
			2620		2558		2495		2431		2365		2295		2223		2147		2068		1892		1652			
					18.6 583		18.6 601		18.6 618		18.6 634		18.5 648		18.3 660		18.1 670		17.8 677		17.5 683		16.9 685		16.3 663	

Performance certified is for Installation Type A: free inlet, free outlet. Performance ratings do not include the effects of appurtenances (accessories). The sound ratings shown are loudness values in fan sones at 5 ft. (1.5m) in a hemispherical free field calculated per AMCA Standard 301. Values shown are for Installation Type A: free inlet hemispherical sone levels.

70 ACED

Catalog Number	Mtr. HP	Fan RPM	Tip Speed	Max. Watts	CFM at Static Pressure																					
					0.00" SP		0.125" SP		0.250" SP		0.375" SP		0.500" SP		0.625" SP		0.750" SP		0.875" SP		1.000" SP		1.250" SP		1.500" SP	
					Sone	BHP	Sone	BHP	Sone	BHP	Sone	BHP	Sone	BHP	Sone	BHP	Sone	BHP	Sone	BHP	Sone	BHP	Sone	BHP	Sone	BHP
70C10DL	1/25	1160	2123	72	105		73																			
70C10DM		1150	2105	73	3.0		2.5																			
					158		94																			
70C10DH	1050	1922	73	5.1		4.6																				
70C15DL	1/20	1700	3112	86	203		121																			
					171		131		113		91															
70C15DM	1/20	1670	3057	92	3.0		2.9																			
					5.5		5.0		4.8		4.7															
70C15DH	1/20	1550	2837	96	242		187		157		102															
					5.9		5.6		5.2		4.6															
					305		249		194		135															
					5.2		5.2		5.1		5.0															

Performance certified is for Installation Type A: free inlet, free outlet. Performance ratings do not include the effects of appurtenances (accessories). Speed (RPM) shown is nominal. Performance is based on actual speed of test. The sound ratings shown are loudness values in fan sones at 5 ft. (1.5m) in a hemispherical free field calculated per AMCA Standard 301. Values shown are for Installation Type A: free inlet hemispherical sone levels.

Catalog Number	Mtr. HP	Fan RPM	Tip Speed	Max. Watts	CFM at Static Pressure																					
					0.00" SP		0.125" SP		0.250" SP		0.375" SP		0.500" SP		0.625" SP		0.750" SP		0.875" SP		1.000" SP		1.250" SP		1.500" SP	
					Sone	BHP	Sone	BHP	Sone	BHP	Sone	BHP	Sone	BHP	Sone	BHP	Sone	BHP	Sone	BHP	Sone	BHP	Sone	BHP	Sone	BHP
90C10DL	1/25	1125	2655	83	322	262	191																			
90C10DM		1100	2596	88	5.0	4.5	4.4																			
90C10DH	1/25	1050	2478	91	398	328	241																			
90C15DL		1050	2478	91	5.7	5.1	5.0																			
90C15DM	1/8	1715	4047	95	575	416	231																			
90C15DH		1550	3658	148	489	445	410	372	331	283	210															
100C10DL	1/25	1100	2882	91	658	600	564	469	412	343	237															
100C10DM		1075	2817	96	8.7	8.4	8.1	7.8	7.3	6.9	6.4															
100C10DH	1/8	1665	4362	125	663	511	353	191																		
100C15DL		1625	4258	146	5.9	6.0	5.5	5.4																		
100C15DM	1/8	1550	4061	194	583	545	505	467	427	377	321	254	164													
101C10D		1100	2882	91	11.3	11.1	10.9	10.6	10.3	10.0	9.8	9.5	9.2													
101C11D	1/4	1140	2985	-	712	658	605	554	498	432	370	292	168													
101C15D		1550	4058	-	11.2	11.0	10.8	10.6	10.5	10.1	9.8	9.4	9.1													
101C17D	1/6	1725	4516	-	967	856	766	667	552	444	384	265														
120C10D		1075	3376	-	11.0	11.0	10.8	10.7	10.5	10.4	10.2	10.1														
120C11D	1/4*	1300	4084	-	594	514	418																			
120C15D		1550	4869	-	4.6	0.03	4.5	0.03	4.3	0.03																
120C17D	1/3	1725	5417	-	645	570	494																			
135C10D		1075	3795	-	5.6	0.04	5.5	0.04	5.3	0.04																
135C11D	1/2*	1300	4595	-	877	819	768	716	648	529																
135C13D		1550	5478	-	9.4	0.10	9.4	0.10	9.2	0.10	9.0	0.11	8.9	0.11	8.8	0.11										
135C15D	3/4	1725	6089	-	976	923	875	831	782	718	624															
150C10D		1075	4225	-	10.9	0.13	10.9	0.14	10.8	0.14	10.6	0.15	10.5	0.15	10.4	0.15	10.2	0.16								
150C11D	3/4*	1300	5105	-	1152	1058	958	855																		
150C15D		1550	6087	-	6.3	.08	6.2	.08	6.0	.09	5.7	.09														
180C10D	3/4	1075	5066	-	1221	1133	1040	946	807	807																
180C11D		1140	5369	-	7.4	.09	7.4	.09	7.3	.10	6.9	.11	6.5	.11	6.5	.11										
					1393	1316	1236	1152	1070	956																
					9.6	.13	9.6	.14	9.5	.15	9.2	.16	8.9	.16	8.5	.16										
					1661	1596	1531	1463	1392	1324	1252	1154	959													
					12.4	.23	12.4	.23	12.4	.24	12.2	.25	12.0	.26	11.6	.27	11.3	.27	10.9	.27	10.6	.25				
					1848	1790	1732	1672	1610	1547	1485	1423	1349	1039												
					14.8	.31	14.8	.32	14.8	.33	14.7	.34	14.5	.35	14.3	.36	14.0	.37	13.7	.37	13.3	.37	12.8	.34		
					1640	1535	1424	1313	1187																	
					8.2	.14	8.2	.14	8.1	.15	7.7	.16	7.4	.16												
					1739	1640	1537	1431	1324	1165	1324															
					9.5	.16	9.5	.17	9.4	.18	9.1	.19	8.7	.19	8.4	.19	8.7	.19								
					1983	1897	1808	1715	1622	1530	1414	1194														
					12.2	.24	12.2	.25	12.2	.26	12.0	.27	11.7	.28	11.3	.28	11.0	.28	10.6	.27						
					2364	2292	2219	2144	2066	1987	1910	1833	1744													
					15.8	.41	15.8	.42	15.8	.43	15.7	.44	15.5	.46	15.3	.48	14.5	.48	14.6	.48	14.3	.48				
					2539	2479	2418	2358	2297	2234	2171	2104	2033	1865	1645											
					19.2	.63	19.2	.64	19.2	.65	19.2	.67	19.0	.68	18.8	.70	18.7	.71	18.4	.73	18.0	.74	17.4	.75		
					2249	2133	2013	1887	1764	1617	1306															
					10.4	.23	10.4	.24	10.3	.25	10.0	.27	9.7	.27	9.3	.27	8.9	.26								
					2385	2276	2164	2045	1928	1808	1640	1187														
					11.8	.27	11.8	.28	11.8	.30	11.6	.31	11.2	.33	10.8	.32	10.5	.32	10.1	.28						
					2720	2624	2527	2427	2322	2219	2117	2000	1828													
					15.3	.41	15.3	.42	15.3	.43	15.1	.45	14.9	.47	14.5	.48	14.1	.48	13.8	.48	13.4	.48				
					3243	3163	3082	3000	2916	2829	2741	2655	2570	2379	2038											
					19.6	.69	19.6	.70	19.6	.71	19.6	.73	19.4	.75	19.2	.78	19.0	.80	18.6	.82	18.3	.82	17.6	.81		
					2935	2799	2644	2489	2321	2125	1902															
					12.1	.41	12.1	.41	12.0	.42	11.9	.42	11.5	.43	11.2	.43	10.8	.43								
					3187	3062	2925	2777	2636	2470	2636	2082	1754													
					14.4	.52	14.4	.52	14.4	.53	14.2	.54	14.0	.54	13.6	.55	14.0	.54	12.8	.55	12.5	.53				
					3958	3853	3745	3625	3481	3299	3481	2883	2502													
					15.8	.62	15.8	.64	15.8	.66	15.4	.68	15.0	.70	14.1	.71	15.0	.70	12.7	.71	12.0	.68				
					4197	4099	3997	3888	3764	3610	3429	3245	3025													
					17.3	.74	17.3	.76	17.3	.78	16.9	.80	16.5	.82	15.9	.84	15.2	.85	14.4	.85	13.7	.84				

Performance certified is for Installation Type A: free inlet, free outlet. Performance ratings do not include the effects of appurtenances (accessories). Speed (RPM) shown for models 90 - 100 and 165 is nominal. Performance is based on actual speed of test. Speed (RPM) for all other models is constant and based on actual speed of test. The sound ratings shown are loudness values in fan sones at 5 ft. (1.5m) in a hemispherical free field calculated per AMCA Standard 301. Values shown are for Installation Type A: free inlet hemispherical sone levels. *Motor is a 2-speed 1300/1550 RPM motor.

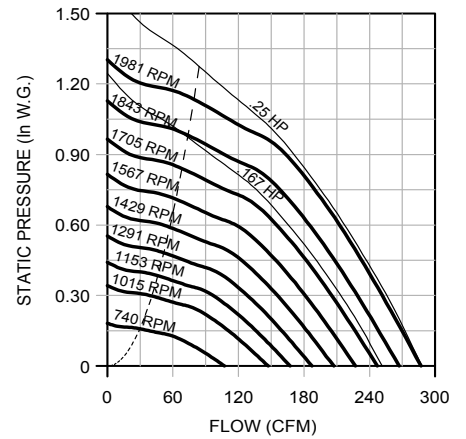
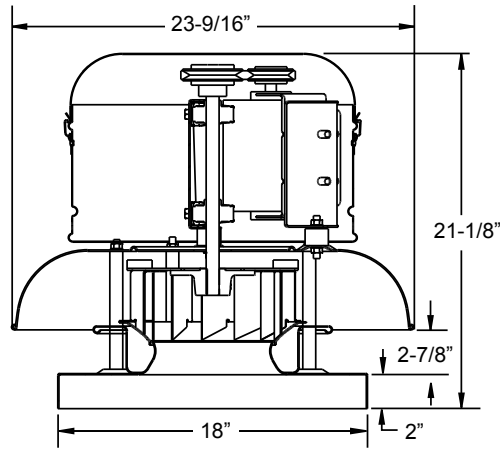
60 - 80 ACEB Data

60 ACEB

Wheel Diameter - 10"
Tip Speed (FPM) - 2.6 x RPM
Maximum RPM - 1981
Maximum BHP - $.032 \times (\text{RPM}/1000)^3$
Maximum Motor Frame - 48
Approx. Ship Wt. (Less Motor) - 30 lbs.
Roof Curb - RCG, RCA 16
Roof Opening - 13-1/2" Sq.

Material Gauges

Top Cap Lid - .050
Top Cap Cylinder - .040
Baffle - .080
Base - .063

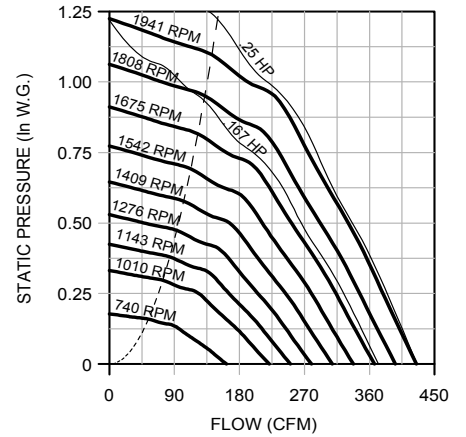
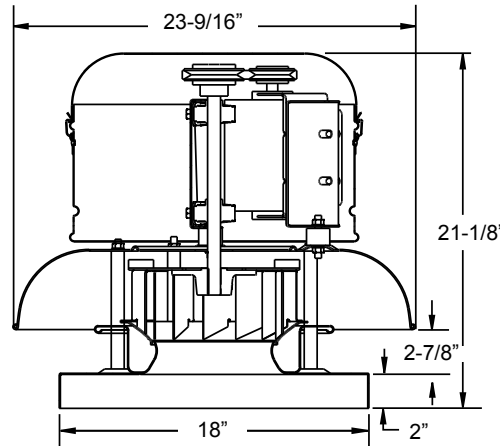


70 ACEB

Wheel Diameter - 10"
Tip Speed (FPM) - 2.6 x RPM
Maximum RPM - 1941
Maximum BHP - $.034 \times (\text{RPM}/1000)^3$
Maximum Motor Frame - 48
Approx. Ship Wt. (Less Motor) - 30 lbs.
Roof Curb - RCG, RCA 16
Roof Opening - 13-1/2" Sq.

Material Gauges

Top Cap Lid - .050
Top Cap Cylinder - .040
Baffle - .080
Base - .063

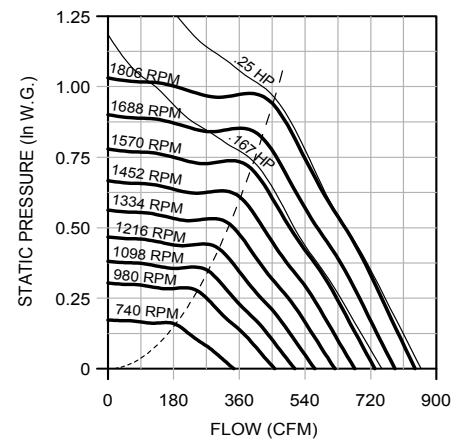
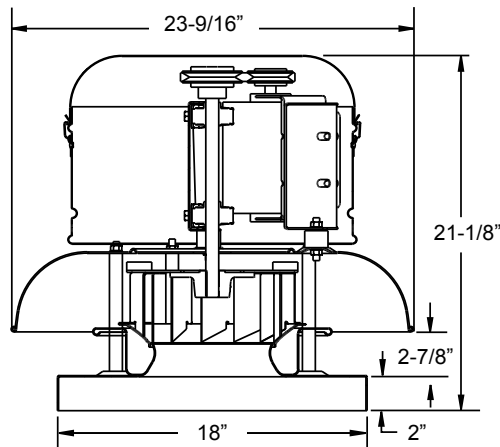


80 ACEB

Wheel Diameter - 10"
Tip Speed (FPM) - 2.6 x RPM
Maximum RPM - 1806
Maximum BHP - $.042 \times (\text{RPM}/1000)^3$
Maximum Motor Frame - 48
Approx. Ship Wt. (Less Motor) - 30 lbs.
Roof Curb - RCG, RCA 16
Roof Opening - 13-1/2" Sq.

Material Gauges

Top Cap Lid - .050
Top Cap Cylinder - .040
Baffle - .080
Base - .063



Performance certified is for Installation Type A: free inlet, free outlet. Power rating (BHP) does not include transmission losses. Performance ratings do not include the effects of appurtenances (accessories). The sound ratings shown are loudness values in fan sones at 5 ft. (1.5m) in a hemispherical free field calculated per AMCA Standard 301. Values shown are for Installation Type A: free inlet hemispherical sone levels. *1/6 & 1/4 HP motor available only in single phase ODP type.

60 ACEB

Catalog Number	Mtr. HP/ Drv. Wt.	Fan RPM	Tip Speed	CFM at Static Pressure																					
				0.00" SP		0.125" SP		0.250" SP		0.375" SP		0.500" SP		0.625" SP		0.750" SP		0.875" SP		1.000" SP		1.250" SP		1.500" SP	
				Sone	BHP	Sone	BHP	Sone	BHP	Sone	BHP	Sone	BHP	Sone	BHP	Sone	BHP	Sone	BHP	Sone	BHP	Sone	BHP	Sone	BHP
60C2B	1/6* 15 lbs.	740	1937	107		61																			
				1.3	.01	1.0	.01																		
		937	2453	136		103		41																	
				2.9	.03	2.6	.03	2.1	.02																
		1134	2968	164		138		108																	
				5.3	.05	5.1	.05	4.9	.05																
		1331	3484	193		171		147		119		60													
7.5	.08			7.5	.07	7.4	.07	7.1	.07	6.3	.06														
1528	4000	222		203		183		161		135		86													
		9.3	.11	9.2	.11	9.1	.11	9.0	.11	8.7	.11	7.9	.10												
1723	4510	250		233		216		197		177		154		118											
		11.4	.16	11.4	.16	11.3	.16	11.2	.16	11.0	.16	10.8	.16	10.0	.15										
60C3B	1/4* 15 lbs.	1787	4678	259		243		226		209		190		169		143		92							
				12.2	.18	12.1	.18	12.1	.18	12.0	.18	11.8	.18	11.7	.18	11.0	.17	10.3	.16						
		1851	4845	268		253		237		220		202		182		160		122							
				13.0	.20	13.0	.20	12.9	.20	12.8	.20	12.7	.20	12.5	.20	12.1	.20	11.4	.18						
		1915	5013	278		263		247		231		214		196		175		150		101					
13.9	.22			13.9	.22	13.8	.22	13.7	.22	13.6	.22	13.5	.22	13.3	.22	12.5	.21	11.8	.20						
1981	5186	287		273		258		242		226		209		190		168		131							
		14.9	.25	14.8	.24	14.7	.24	14.7	.24	14.5	.24	14.4	.24	14.3	.24	13.7	.24	13.0	.23						

70 ACEB

Catalog Number	Mtr. HP/ Drv. Wt.	Fan RPM	Tip Speed	CFM at Static Pressure																					
				0.00" SP		0.125" SP		0.250" SP		0.375" SP		0.500" SP		0.625" SP		0.750" SP		0.875" SP		1.000" SP		1.250" SP		1.500" SP	
				Sone	BHP	Sone	BHP	Sone	BHP	Sone	BHP	Sone	BHP	Sone	BHP	Sone	BHP	Sone	BHP	Sone	BHP	Sone	BHP	Sone	BHP
70C2B	1/6* 15 lbs.	740	1937	162		96																			
				1.7	.01	1.2	.01																		
		930	2434	204		154		70																	
				3.2	.03	2.8	.03	2.6	.02																
		1120	2932	245		205		159		63															
				5.7	.05	5.4	.05	5.0	.05	4.8	.04														
		1310	3429	287		253		216		176		95													
8.2	.08			8.0	.07	7.6	.07	7.3	.07	7.1	.07														
1500	3926	329		298		269		233		199		130													
		10.1	.11	9.8	.11	9.6	.11	9.2	.11	8.9	.11	8.6	.10												
1689	4421	370		343		317		289		256		226		173											
		12.3	.16	12.1	.16	11.9	.16	11.6	.16	11.3	.16	11.0	.15	10.7	.15										
70C3B	1/4* 15 lbs.	1752	4586	384		358		333		306		275		245		139									
				13.2	.18	12.9	.18	12.7	.18	12.5	.18	12.2	.18	11.9	.17	11.5	.18	11.2	.16						
		1815	4751	397		372		348		323		294		264		237		179		82					
				14.1	.20	13.9	.20	13.7	.20	13.4	.20	13.1	.20	12.8	.19	12.4	.19	12.1	.19	11.8	.16				
		1878	4916	411		387		363		340		313		283		256		226		152					
15.1	.23			14.9	.22	14.6	.22	14.4	.22	14.1	.22	13.8	.22	13.5	.21	13.1	.22	12.8	.20						
1941	5081	425		402		379		356		331		302		275		249		192							
		16.0	.25	15.8	.24	15.6	.24	15.4	.24	15.1	.24	14.9	.24	14.6	.23	14.2	.24	13.8	.23						

80 ACEB

Catalog Number	Mtr. HP/ Drv. Wt.	Fan RPM	Tip Speed	CFM at Static Pressure																					
				0.00" SP		0.125" SP		0.250" SP		0.375" SP		0.500" SP		0.625" SP		0.750" SP		0.875" SP		1.000" SP		1.250" SP		1.500" SP	
				Sone	BHP	Sone	BHP	Sone	BHP	Sone	BHP	Sone	BHP	Sone	BHP	Sone	BHP	Sone	BHP	Sone	BHP	Sone	BHP	Sone	BHP
80C2B	1/6* 15 lbs.	740	1937	345		221																			
				2.0	.02	1.4	.02																		
		906	2371	422		327		102																	
				3.4	.03	2.9	.03	2.3	.02																
		1072	2806	500		423		329																	
				5.4	.05	4.9	.05	4.5	.05																
		1238	3241	577		510		434		356															
7.6	.08			7.2	.08	6.8	.08	6.4	.08																
1404	3675	654		595		536		460		394															
		9.2	.11	8.8	.11	8.5	.12	8.2	.12	7.6	.11														
1571	4112	732		679		627		567		500		442		181											
		10.9	.16	10.5	.16	10.1	.16	9.8	.16	9.5	.16	9.0	.16	8.5	.12										
80C3B	1/4* 15 lbs.	1630	4267	760		709		659		603		537		479		418									
				11.6	.17	11.2	.18	10.8	.18	10.5	.18	10.2	.18	9.8	.18	9.2	.18								
		1689	4421	787		738		690		638		574		516		463		173							
				12.3	.19	12.0	.20	11.6	.20	11.3	.20	11.0	.20	10.6	.20	10.1	.20	9.6	.15						
		1748	4576	815		767		720		672		613		553		501		440							
13.1	.21			12.7	.22	12.3	.22	12.0	.22	11.7	.23	11.5	.22	10.9	.22	10.4	.22								
1806	4728	842		796		750		704		650		590		538		487		189							
		13.9	.24	13.5	.24	13.1	.24	12.8	.25	12.5	.25	12.2	.25	11.8	.24	11.3	.24	10.8	.19						

Performance certified is for Installation Type A: free inlet, free outlet. Power rating (BHP) does not include transmission losses. Performance ratings do not include the effects of appurtenances (accessories). The sound ratings shown are loudness values in fan sones at 5 ft. (1.5m) in a hemispherical free field calculated per AMCA Standard 301. Values shown are for Installation Type A: free inlet hemispherical sone levels. *1/6 & 1/4 HP motor available only in single phase ODP type.

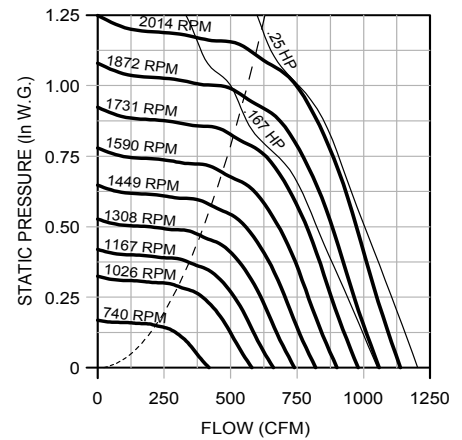
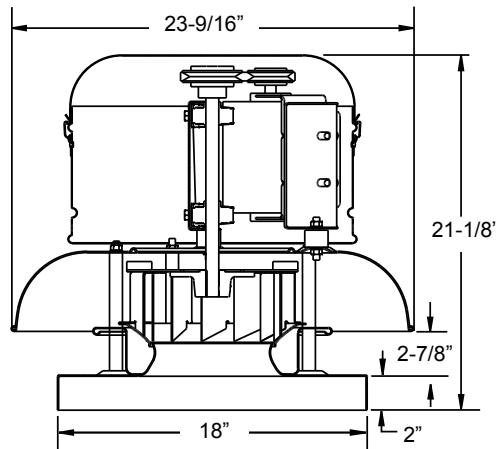
100 - 135 ACEB Data

100 ACEB

Wheel Diameter - 10"
Tip Speed (FPM) - 2.6 x RPM
Maximum RPM - 2013
Maximum BHP - .030 x (RPM/1000)³
Maximum Motor Frame - 48
Approx. Ship Wt. (Less Motor) - 30 lbs.
Roof Curb - RCG, RCA 16
Roof Opening - 13-1/2" Sq.

Material Gauges

Top Cap Lid - .063
Top Cap Cylinder - 0.40
Baffle - .080
Base - .063

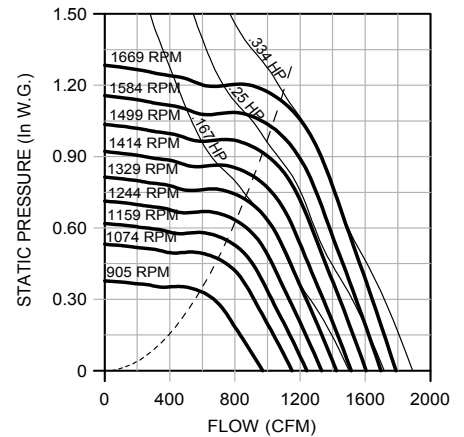
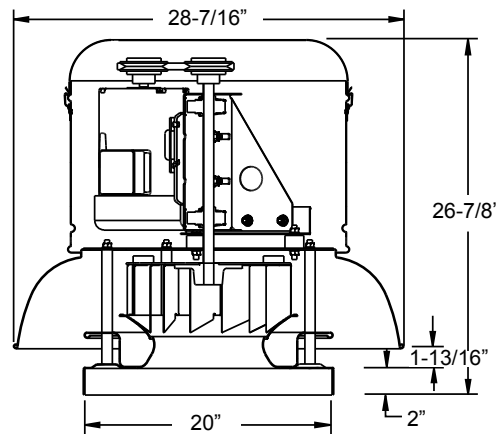


120 ACEB

Wheel Diameter - 12"
Tip Speed (FPM) - 3.1 x RPM
Maximum RPM - 1669
Maximum BHP - .072 x (RPM/1000)³
Maximum Motor Frame - 56
Approx. Ship Wt. (Less Motor) - 55 lbs.
Roof Curb - RCG, RCA 18
Roof Opening - 15-1/2" Sq.

Material Gauges

Top Cap Lid - .050
Top Cap Cylinder - 0.40
Baffle - .063
Base - .063

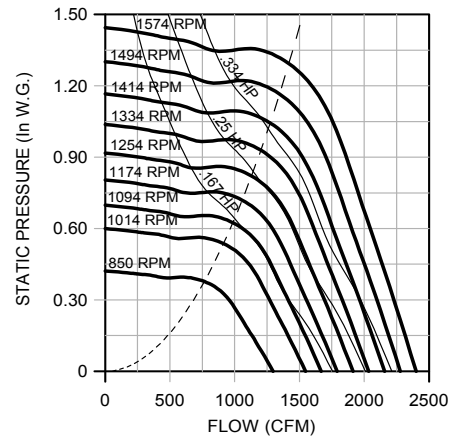
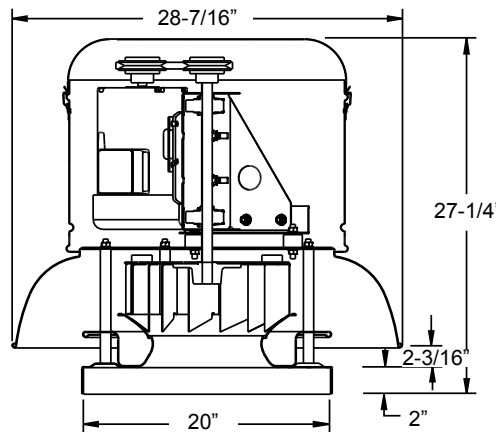


135 ACEB

Wheel Diameter - 13.5"
Tip Speed (FPM) - 3.5 x RPM
Maximum RPM - 1574
Maximum BHP - .13 x (RPM/1000)³
Maximum Motor Frame - 56
Approx. Ship Wt. (Less Motor) - 60 lbs.
Roof Curb - RCG, RCA 18
Roof Opening - 15-1/2" Sq.

Material Gauges

Top Cap Lid - .050
Top Cap Cylinder - .040
Baffle - .063
Base - .063



Performance certified is for Installation Type A: free inlet, free outlet. Power rating (BHP) does not include transmission losses. Performance ratings do not include the effects of appurtenances (accessories). The sound ratings shown are loudness values in fan sones at 5 ft. (1.5m) in a hemispherical free field calculated per AMCA Standard 301. Values shown are for Installation Type A: free inlet hemispherical sone levels.

100 ACEB

Catalog Number	Mtr. HP/ Drv. Wt.	Fan RPM	Tip Speed	CFM at Static Pressure																					
				0.00" SP		0.125" SP		0.250" SP		0.375" SP		0.500" SP		0.625" SP		0.750" SP		0.875" SP		1.000" SP		1.250" SP		1.500" SP	
				Sone	BHP	Sone	BHP	Sone	BHP	Sone	BHP	Sone	BHP	Sone	BHP	Sone	BHP	Sone	BHP	Sone	BHP	Sone	BHP	Sone	BHP
100C2B	1/6* 15 lbs.	740	1937	419		293																			
				1.9	.01	1.6	.01																		
		942	2466	533		445		254																	
				3.4	.02	3.2	.02	3.1	.02																
		1144	2994	647		573		497		240															
				5.6	.04	5.5	.04	5.3	.04	5.2	.03														
		1346	3523	762		696		638		564		389													
		7.6	.06	7.6	.07	7.4	.07	7.2	.07	7.1	.07														
1548	4052	876		817		766		715		646		525													
		9.3	.10	9.3	.10	9.2	.10	9.0	.11	8.9	.11	8.7	.11												
1752	4586	991		938		891		848		800		740		657		436									
		11.2	.14	11.2	.14	11.1	.15	10.9	.15	10.8	.16	10.7	.16	10.5	.16	10.4	.13								
100C3B	1/4* 15 lbs.	1818	4759	1029		978		932		890		846		793		723		591							
				11.9	.16	11.9	.16	11.9	.16	11.7	.17	11.5	.18	11.4	.18	11.3	.18	11.2	.18						
		1884	4932	1066		1017		972		931		890		842		782		700		509					
				12.8	.17	12.8	.18	12.8	.18	12.6	.19	12.4	.19	12.2	.20	12.1	.20	12.0	.20	11.8	.17				
		1950	5105	1103		1056		1012		972		933		889		836		769		647					
		13.7	.19	13.7	.20	13.7	.20	13.5	.21	13.3	.21	13.2	.22	13.1	.22	12.9	.22	12.8	.22						
2014	5272	1140		1094		1051		1012		974		934		886		826		748							
		14.8	.21	14.8	.21	14.8	.22	14.6	.23	14.3	.23	14.1	.24	14.0	.24	13.9	.24	13.8	.25						

*1/6 & 1/4 HP motor available only in single phase ODP type.

120 ACEB

Catalog Number	Mtr. HP/ Drv. Wt.	Fan RPM	Tip Speed	CFM at Static Pressure																					
				0.00" SP		0.125" SP		0.250" SP		0.375" SP		0.500" SP		0.625" SP		0.750" SP		0.875" SP		1.000" SP		1.250" SP		1.500" SP	
				Sone	BHP	Sone	BHP	Sone	BHP	Sone	BHP	Sone	BHP	Sone	BHP	Sone	BHP	Sone	BHP	Sone	BHP	Sone	BHP	Sone	BHP
120C2B	1/6 15 lbs.	905	2843	970		857		737																	
				4.5	.05	4.4	.05	4.1	.05																
		987	3100	1057		955		846		698															
				5.4	.06	5.4	.06	5.1	.07	4.7	.07														
		1069	3358	1145		1051		951		846		341													
				6.5	.07	6.5	.08	6.2	.09	5.9	.09	5.5	.05												
		1151	3615	1233		1146		1053		961		831													
		7.6	.09	7.6	.10	7.4	.11	7.0	.11	6.7	.11														
1233	3873	1321		1240		1154		1067		974		787													
		8.9	.11	8.9	.12	8.7	.13	8.3	.14	8.0	.13	7.6	.13												
1313	4124	1407		1331		1252		1169		1088		981		439											
		9.7	.14	9.7	.14	9.6	.15	9.4	.16	9.0	.16	8.6	.16	8.3	.10										
120C3B	1/4 15 lbs.	1411	4432	1512		1441		1368		1292		1216		1137		1021		433							
				10.8	.17	10.8	.18	10.8	.18	10.6	.20	10.2	.20	9.8	.20	9.5	.20	9.2	.12						
1510	4743	1618		1552		1484		1414		1342		1272		1193		1072		472							
		11.9	.21	11.9	.21	11.9	.22	11.7	.23	11.5	.25	11.1	.25	10.8	.25	10.4	.24	10.1	.14						
120C4B	1/3 19 lbs.	1590	4995	1703		1641		1577		1511		1443		1376		1308		1224		1087					
				12.8	.24	12.8	.25	12.8	.26	12.7	.27	12.5	.28	12.2	.29	11.8	.29	11.5	.29	11.2	.28				
1669	5243	1788		1729		1668		1606		1541		1476		1413		1345		1256		316					
		13.8	.28	13.8	.29	13.8	.30	13.7	.31	13.5	.32	13.3	.33	12.9	.34	12.6	.33	12.3	.33	11.7	.14				

135 ACEB

Catalog Number	Mtr. HP/ Drv. Wt.	Fan RPM	Tip Speed	CFM at Static Pressure																					
				0.00" SP		0.125" SP		0.250" SP		0.375" SP		0.500" SP		0.625" SP		0.750" SP		0.875" SP		1.000" SP		1.250" SP		1.500" SP	
				Sone	BHP	Sone	BHP	Sone	BHP	Sone	BHP	Sone	BHP	Sone	BHP	Sone	BHP	Sone	BHP	Sone	BHP	Sone	BHP	Sone	BHP
135C2B	1/6 15 lbs.	850	3004	1296		1162		1020		776															
				5.2	.07	5.1	.07	4.8	.08	4.4	.08														
		926	3272	1412		1290		1159		1016															
				6.1	.09	6.1	.09	5.9	.10	5.5	.10														
1002	3541	1528		1416		1296		1175		982															
		7.2	.11	7.2	.12	7.0	.13	6.7	.13	6.3	.13														
1079	3813	1646		1541		1431		1320		1196															
		8.4	.14	8.4	.14	8.3	.15	8.0	.16	7.6	.16														
135C3B	1/4 15 lbs.	1159	4096	1768		1671		1570		1465		1361		1220											
				9.9	.17	9.9	.18	9.7	.19	9.5	.20	9.1	.20	8.7	.20										
1240	4382	1891		1801		1708		1610		1513		1410		1247											
		11.4	.21	11.4	.22	11.3	.23	11.1	.24	10.8	.25	10.4	.25	10.0	.24										
135C4B	1/3 19 lbs.	1306	4615	1992		1906		1818		1726		1633		1541		1428		1221							
				12.3	.24	12.3	.25	12.3	.26	12.1	.28	11.8	.29	11.4	.29	11.1	.29	10.7	.28						
1371	4845	2091		2010		1926		1839		1750		1663		1571		1443									
		13.2	.28	13.2	.29	13.2	.30	13.0	.31	12.8	.33	12.4	.34	12.0	.33	11.7	.33								
135C5B	1/2 23 lbs.	1473	5206	2247		2171		2094		2014		1931		1849		1769		1681		1561					
				14.7	.35	14.7	.36	14.7	.37	14.5	.38	14.3	.40	14.0	.41	13.6	.42	13.3	.41	13.0	.41				
1574	5562	2401		2330		2258		2184		2108		2030		1954		1878		1795		1514					
		16.2	.43	16.2	.43	16.2	.44	16.1	.46	15.9	.48	15.7	.50	15.4	.51	15.0	.51	14.7	.50	14.0	.49				

Performance certified is for Installation Type A: free inlet, free outlet. Power rating (BHP) does not include transmission losses. Performance ratings do not include the effects of appurtenances (accessories). The sound ratings shown are loudness values in fan sones at 5 ft. (1.5m) in a hemispherical free field calculated per AMCA Standard 301. Values shown are for Installation Type A: free inlet hemispherical sone levels.

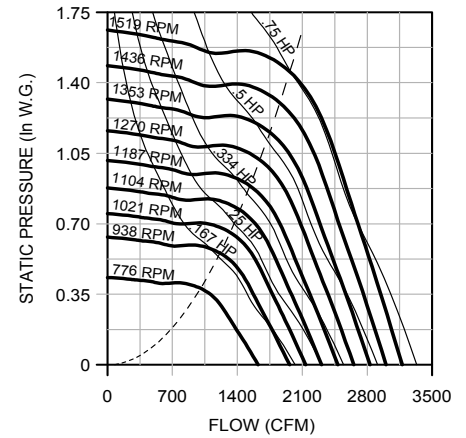
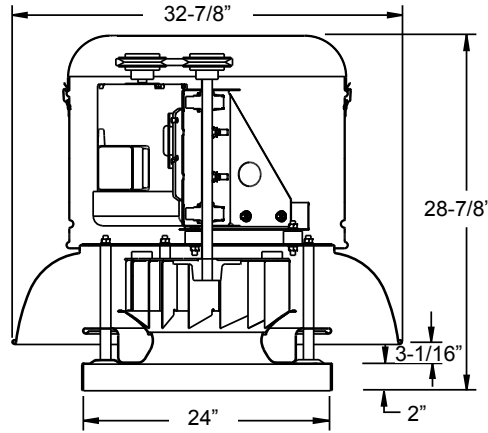
150 - 180 ACEB Data

150 ACEB

Wheel Diameter - 15"
Tip Speed (FPM) - 3.9 x RPM
Maximum RPM - 1519
Maximum BHP - .22 x (RPM/1000)³
Maximum Motor Frame - 56
Approx. Ship Wt. (Less Motor) - 70 lbs.
Roof Curb - RCG, RCA 22
Roof Opening - 19-1/2" Sq.

Material Gauges

Top Cap Lid - .050
Top Cap Cylinder - .040
Baffle - .063
Base - .063

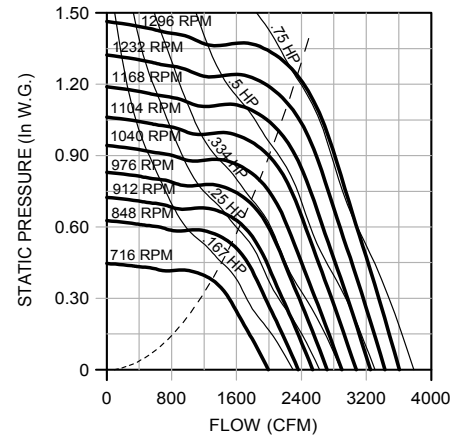
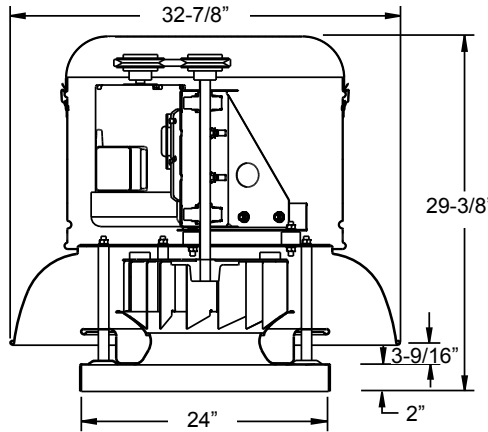


165 ACEB

Wheel Diameter - 16.5"
Tip Speed (FPM) - 4.3 x RPM
Maximum RPM - 1296
Maximum BHP - .35 x (RPM/1000)³
Maximum Motor Frame - 56
Approx. Ship Wt. (Less Motor) - 75 lbs.
Roof Curb - RCG, RCA 22
Roof Opening - 19-1/2" Sq.

Material Gauges

Top Cap Lid - .050
Top Cap Cylinder - .040
Baffle - .063
Base - .063

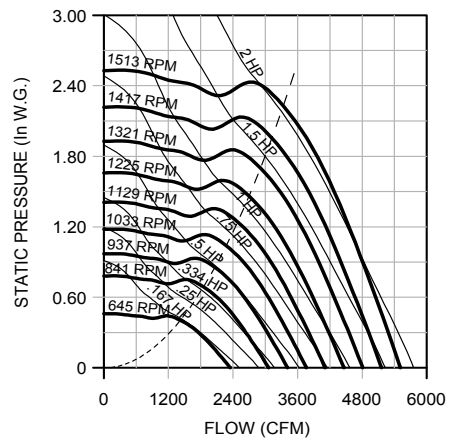
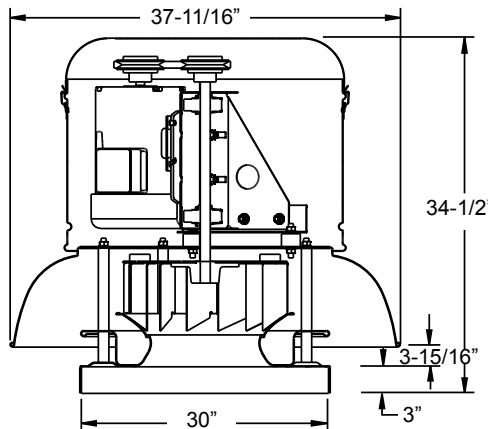


180 ACEB

Wheel Diameter - 18"
Tip Speed (FPM) - 4.7 x RPM
Maximum RPM - 1513
Maximum BHP - .61 x (RPM/1000)³
Maximum Motor Frame - 145T
Approx. Ship Wt. (Less Motor) - 90 lbs.
Roof Curb - RCG, RCA 28
Roof Opening - 25-1/2" Sq.

Material Gauges

Top Cap Lid - .050
Top Cap Cylinder - .040
Baffle - .063
Base - .080



Performance certified is for Installation Type A: free inlet, free outlet. Power rating (BHP) does not include transmission losses. Performance ratings do not include the effects of appurtenances (accessories). The sound ratings shown are loudness values in fan sones at 5 ft. (1.5m) in a hemispherical free field calculated per AMCA Standard 301. Values shown are for Installation Type A: free inlet hemispherical sone levels. *1/6 & 1/4 HP motor available only in single phase ODP type.

150 ACEB

Catalog Number	Mtr. HP/ Drv. Wt.	Fan RPM	Tip Speed	CFM at Static Pressure																					
				0.00" SP		0.125" SP		0.250" SP		0.375" SP		0.500" SP		0.625" SP		0.750" SP		0.875" SP		1.000" SP		1.250" SP		1.500" SP	
				Sone	BHP	Sone	BHP	Sone	BHP	Sone	BHP	Sone	BHP	Sone	BHP	Sone	BHP	Sone	BHP	Sone	BHP	Sone	BHP	Sone	BHP
150C2B	1/6 15 lbs.	776	3047	1624	1460	1288	1024																		
		840	3298	5.5 .09	5.4 .09	5.1 .10	4.7 .10																		
		904	3550	1757	1608	1448	1276																		
150C3B	1/4 15 lbs.	972	3817	6.3 .11	6.3 .12	6.1 .13	5.7 .13																		
		1040	4084	1891	1753	1605	1457	1224																	
				7.2 .14	7.2 .14	7.1 .16	6.7 .16	6.3 .16																	
150C4B	1/3 19 lbs.	2034	1905	2176	2056	1931	1801	1672	1495																
		1150	4516	9.7 .21	9.7 .22	9.6 .23	9.4 .25	9.0 .25	8.6 .24																
				2406	2298	2187	2069	1953	1835	1677															
150C5B	1/2 23 lbs.	1235	4849	12.0 .28	12.0 .29	11.8 .30	11.5 .32	11.5 .33	11.1 .33																
		1320	5183	2584	2483	2381	2273	2163	2056	1942	1785														
				14.1 .35	14.1 .36	14.1 .37	13.8 .39	13.6 .41	13.2 .41	12.7 .41	12.4 .41														
150C6B	3/4 31 lbs.	1420	5576	15.6 .43	15.6 .44	15.6 .45	15.4 .47	15.2 .49	14.9 .50	14.5 .51	14.1 .50	13.8 .50													
		1519	5965	2762	2668	2572	2473	2370	2269	2169	2059	1907													
				17.2 .53	17.2 .54	17.2 .55	17.2 .57	17.0 .59	16.8 .62	16.5 .63	16.1 .63	15.8 .63	15.1 .62												

165 ACEB

Catalog Number	Mtr. HP/ Drv. Wt.	Fan RPM	Tip Speed	CFM at Static Pressure																					
				0.00" SP		0.125" SP		0.250" SP		0.375" SP		0.500" SP		0.625" SP		0.750" SP		0.875" SP		1.000" SP		1.250" SP		1.500" SP	
				Sone	BHP	Sone	BHP	Sone	BHP	Sone	BHP	Sone	BHP	Sone	BHP	Sone	BHP	Sone	BHP	Sone	BHP	Sone	BHP	Sone	BHP
165C2B	1/6 15 lbs.	716	3092	1994	1800	1594	1309																		
		771	3330	5.8 .11	5.7 .12	5.4 .13	5.0 .13																		
				2147	1968	1776	1573																		
165C3B	1/4 15 lbs.	829	3581	6.6 .14	6.6 .15	6.4 .16	6.0 .16																		
		887	3831	2309	2143	1965	1788	1525																	
				7.5 .17	7.5 .18	7.3 .20	6.9 .20	6.6 .20																	
165C4B	1/3 19 lbs.	934	4034	8.5 .21	8.5 .22	8.3 .23	8.0 .25	7.7 .25																	
		981	4237	2601	2454	2301	2141	1982	1746																
				9.4 .24	9.4 .25	9.3 .27	9.0 .29	8.7 .29	8.3 .29																
165C5B	1/2 23 lbs.	1053	4548	10.4 .28	10.4 .29	10.4 .31	10.2 .33	9.8 .33	9.4 .33																
		1126	4863	2933	2803	2669	2529	2388	2247	2064															
				12.2 .35	12.2 .36	12.1 .37	11.9 .40	11.6 .41	11.2 .41	10.8 .41															
165C6B	3/4 31 lbs.	1211	5231	14.0 .43	14.0 .44	14.0 .45	13.8 .47	13.5 .50	13.1 .51	12.8 .50	12.4 .50														
		1296	5598	3373	3260	3145	3027	2904	2782	2662	2532	2360													
				16.4 .53	16.4 .54	16.4 .56	16.2 .58	16.0 .60	15.7 .63	15.3 .63	14.9 .63	14.6 .62													

180 ACEB

Catalog Number	Mtr. HP/ Drv. Wt.	Fan RPM	Tip Speed	CFM at Static Pressure																						
				0.00" SP		0.125" SP		0.250" SP		0.375" SP		0.500" SP		0.625" SP		0.750" SP		0.875" SP		1.000" SP		1.250" SP		1.500" SP		
				Sone	BHP	Sone	BHP	Sone	BHP	Sone	BHP	Sone	BHP	Sone	BHP	Sone	BHP	Sone	BHP	Sone	BHP	Sone	BHP	Sone	BHP	Sone
180C2B	1/6 15 lbs.	645	3039	2349	2123	1875	1539																			
						6.1 .14	6.0 .15	5.3 .16	4.5 .16																	
180C3B	1/4 15 lbs.	742	3496	2702	2509	2302	2070	1759																		
						8.0 .21	7.9 .22	7.4 .24	6.6 .24	5.9 .25																
180C4B	1/3 19 lbs.	820	3864	2986	2813	2628	2433	2206	1901																	
						9.6 .28	9.6 .30	9.1 .31	8.5 .33	7.7 .33	7.1 .33															
180C5B	1/2 23 lbs.	881	4151	3208	3048	2877	2700	2506	2276																	
						10.9 .35	10.9 .36	10.6 .38	10.1 .40	9.2 .41	8.6 .41															
				942	4439	3430	3281	3123	2960	2787	2594	2361														
180C6B	3/4 31 lbs.	1084	5108	12.4 .42	12.4 .44	12.1 .46	11.7 .48	10.9 .49	10.2 .50	9.5 .51																
						3948	3819	3684	3544	3402	3253	3093	2915	2705												
180C7B	1 36 lbs.	1196	5636	16.1 .65	16.1 .66	16.0 .69	15.6 .71	15.2 .73	14.4 .75	13.6 .76	12.9 .77	12.3 .77														
						4355	4240	4118	3993	3866	3736	3601	3458	3304	2927											
180C8B	1-1/2 38 lbs.	1373	6470	18.5 .87	18.5 .89	18.5 .91	18.2 .94	17.8 .97	17.4 .99	16.7 1.00	16.0 1.02	15.3 1.03	14.0 1.03													
						5000	4900	4796	4688	4579	4468	4356	4242	4123	3867	3571										
180C9B	2 50 lbs.	1443	6799	23 1.31	23 1.33	23 1.36	23 1.40	23 1.43	22 1.46	22 1.48	21 1.50	21 1.52	19.4 1.55	18.2 1.56												
						5255	5160	5061	4960	4856	4751	4645	4538	4428	4196	3937										
						25 1.52	25 1.55	25 1.58	25 1.61	25 1.64	24 1.68	24 1.70	23 1.73	23 1.75	22 1.78	20 1.81										

Performance certified is for Installation Type A: free inlet, free outlet. Power rating (BHP) does not include transmission losses. Performance ratings do not include the effects of appurtenances (accessories). The sound ratings shown are loudness values in fan sones at 5 ft. (1.5m) in a hemispherical free field calculated per AMCA Standard 301. Values shown are for Installation Type A: free inlet hemispherical sone levels.

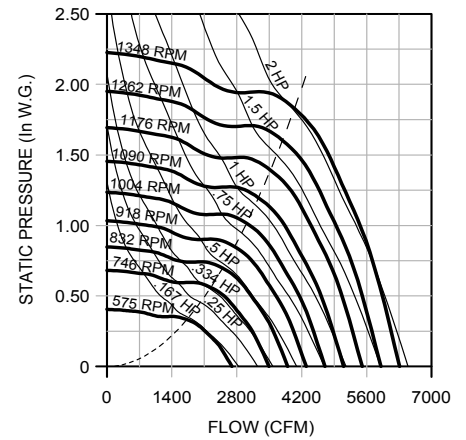
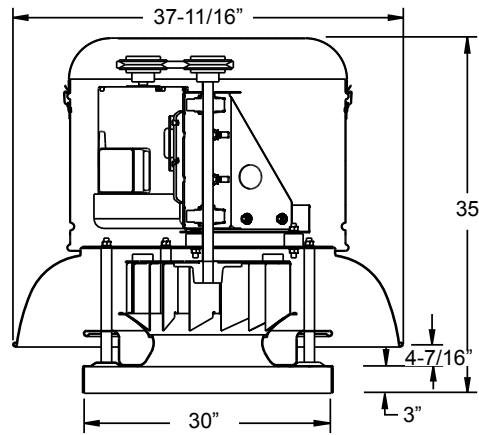
195 - 225 ACEB Data

195 ACEB

Wheel Diameter - 19.5"
Tip Speed (FPM) - 5.1 x RPM
Maximum RPM - 1348
Maximum BHP - .90 x (RPM/1000)³
Maximum Motor Frame - 145T
Approx. Ship Wt. (Less Motor) - 100 lbs.
Roof Curb - RCG, RCA 28
Roof Opening - 25-1/2" Sq.

Material Gauges

Top Cap Lid - .050
Top Cap Cylinder - .040
Baffle - .063
Base - .080

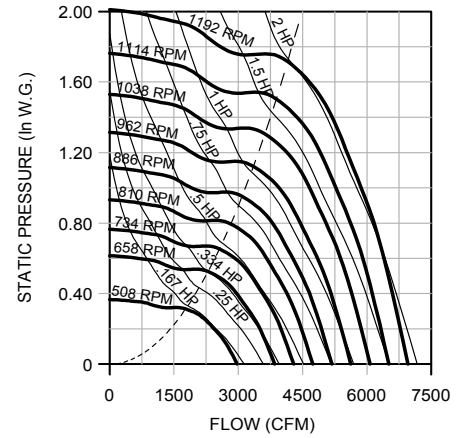
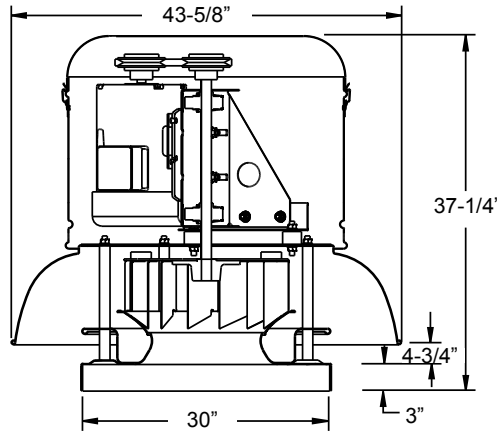


210 ACEB

Wheel Diameter - 21"
Tip Speed (FPM) - 5.5 x RPM
Maximum RPM - 1190
Maximum BHP - 1.3 x (RPM/1000)³
Maximum Motor Frame - 182T
Approx. Ship Wt. (Less Motor) - 200 lbs.
Roof Curb - RCG, RCA 28
Roof Opening - 25-1/2" Sq.

Material Gauges

Top Cap Lid - .063
Top Cap Cylinder - .040
Baffle - .080
Base - .080

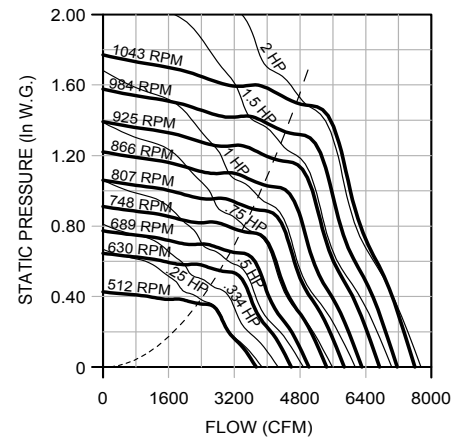
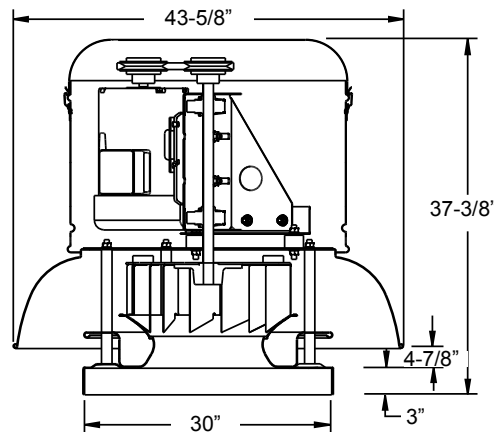


225 ACEB

Wheel Diameter - 22.5"
Tip Speed (FPM) - 5.9 x RPM
Maximum RPM - 1043
Maximum BHP - 1.9 x (RPM/1000)³
Maximum Motor Frame - 182T
Approx. Ship Wt. (Less Motor) - 220 lbs.
Roof Curb - RCG, RCA 28
Roof Opening - 25-1/2" Sq.

Material Gauges

Top Cap Lid - .063
Top Cap Cylinder - .040
Baffle - .080
Base - .080



Performance certified is for Installation Type A: free inlet, free outlet. Power rating (BHP) does not include transmission losses. Performance ratings do not include the effects of appurtenances (accessories). The sound ratings shown are loudness values in fan sones at 5 ft. (1.5m) in a hemispherical free field calculated per AMCA Standard 301. Values shown are for Installation Type A: free inlet hemispherical sone levels.

195 ACEB

Catalog Number	Mtr. HP/ Drv. Wt.	Fan RPM	Tip Speed	CFM at Static Pressure																					
				0.00" SP		0.125" SP		0.250" SP		0.375" SP		0.500" SP		0.625" SP		0.750" SP		0.875" SP		1.000" SP		1.250" SP		1.500" SP	
				Sone	BHP	Sone	BHP	Sone	BHP	Sone	BHP	Sone	BHP	Sone	BHP	Sone	BHP	Sone	BHP	Sone	BHP	Sone	BHP	Sone	BHP
195C2B	1/6 15 lbs.	575	2935	2692		2467		2117																	
				5.9	.14	5.7	.15	4.9	.16																
195C3B	1/4 15 lbs.	661	3374	3094		2905		2653		2301															
				7.6	.22	7.5	.23	6.9	.24	6.1	.25														
195C4B	1/3 19 lbs.	731	3731	3422		3253		3052		2763		2395													
				9.1	.29	9.1	.31	8.7	.32	7.9	.33	7.2	.33												
195C5B	1/2 23 lbs.	839	4283	3927		3781		3622		3422		3158		2862											
				11.8	.44	11.8	.46	11.5	.48	11.0	.50	10.2	.50	9.4	.50										
195C6B	3/4	903	4609	4227		4092		3948		3781		3558		3307		3003									
				13.5	.55	13.5	.57	13.3	.59	12.8	.61	12.1	.62	11.4	.63	10.6	.62								
	31 lbs.	966	4931	4522		4396		4264		4117		3935		3707		3470		3159							
195C7B	1 36 lbs.	1066	5442	4990		4876		4758		4633		4492		4317		4110		3897		3656					
				18.2	.91	18.2	.93	18.2	.95	17.9	.98	17.5	1.00	17.0	1.02	16.2	1.03	15.5	1.03	14.7	1.03				
195C8B	1-1/2	1145	5845	5360		5254		5145		5032		4909		4767		4595		4399		4201		3684			
				20	1.12	20	1.15	20	1.17	20	1.20	19.7	1.22	19.3	1.25	18.7	1.27	18.0	1.28	17.3	1.28	15.9	1.26		
	38 lbs.	1224	6248	5730		5631		5530		5425		5315		5193		5053		4887		4702		4323		3701	
195C9B	2 50 lbs.	1348	6881	6310		6220		6129		6036		5939		5837		5726		5603		5459		5128		4785	
				26.0	1.83	26.0	1.86	26.0	1.89	26.0	1.92	26.0	1.95	25	1.98	25	2.01	25	2.04	24	2.06	23	2.09	22	2.09

210 ACEB

Catalog Number	Mtr. HP/ Drv. Wt.	Fan RPM	Tip Speed	CFM at Static Pressure																					
				0.00" SP		0.125" SP		0.250" SP		0.375" SP		0.500" SP		0.625" SP		0.750" SP		0.875" SP		1.000" SP		1.250" SP		1.500" SP	
				Sone	BHP	Sone	BHP	Sone	BHP	Sone	BHP	Sone	BHP	Sone	BHP	Sone	BHP	Sone	BHP	Sone	BHP	Sone	BHP	Sone	BHP
210C2B	1/6 15 lbs.	508	2792	2970		2691		2239																	
				5.4	.14	5.2	.16	4.3	.16																
210C3B	1/4 15 lbs.	584	3210	3415		3181		2849		2359															
				7.0	.22	6.9	.23	6.3	.25	5.5	.24														
210C4B	1/3 19 lbs.	646	3551	3777		3569		3310		2942		2310													
				8.4	.29	8.4	.31	7.9	.33	7.1	.33	6.4	.32												
210C5B	1/2 23 lbs.	742	4079	4338		4159		3961		3694		3365		2890											
				10.9	.44	10.9	.46	10.5	.48	9.9	.50	9.1	.50	8.4	.49										
210C6B	3/4 31 lbs.	854	4695	4993		4839		4676		4489		4244		3959		3639									
				14.4	.67	14.1	.70	13.9	.72	16.5	.74	12.8	.76	12.1	.77	11.3	.76								
210C7B	1	898	4937	5251		5104		4951		4780		4570		4306		4032		3673							
				15.5	.78	15.5	.81	15.4	.83	15.0	.86	14.4	.88	13.6	.89	12.9	.89	12.2	.88						
	36 lbs.	942	5178	5508		5368		5224		5066		4882		4648		4388		4114		3704					
210C8B	1-1/2 38 lbs.	1081	5943	6321		6199		6075		5946		5807		5649		5459		5240		5014		4477			
				22	1.37	22	1.40	22	1.43	21	1.46	21	1.49	21	1.51	20	1.54	19.3	1.56	18.6	1.56	17.2	1.54		
210C9B	2	1137	6250	6648		6533		6416		6294		6165		6024		5862		5669		5456		5015		4296	
				23	1.59	23	1.62	23	1.66	23	1.69	23	1.72	22	1.75	22	1.75	21	1.80	21	1.81	19.2	1.81	17.9	1.76
	50 lbs.	1192	6553	6970		6860		6748		6634		6514		6385		6241		6075		5883		5472		4987	
				25	1.83	25	1.87	25	1.90	25	1.93	25	1.97	24	2.00	24	2.03	23	2.06	23	2.08	21	2.09	19.9	2.07

225 ACEB

Catalog Number	Mtr. HP/ Drv. Wt.	Fan RPM	Tip Speed	CFM at Static Pressure																					
				0.00" SP		0.125" SP		0.250" SP		0.375" SP		0.500" SP		0.625" SP		0.750" SP		0.875" SP		1.000" SP		1.250" SP		1.500" SP	
				Sone	BHP	Sone	BHP	Sone	BHP	Sone	BHP	Sone	BHP	Sone	BHP	Sone	BHP	Sone	BHP	Sone	BHP	Sone	BHP	Sone	BHP
225C3B	1/4 15 lbs.	512	3015	3729		3358		2940																	
				6.4	.22	6.2	.24	5.5	.25																
225C4B	1/3 19 lbs.	566	3334	4123		3802		3365		3120															
				7.6	.30	7.6	.32	7.0	.33	6.1	.33														
225C5B	1/2 23 lbs.	650	3828	4735		4464		4095		3778		3571													
				9.8	.46	9.8	.48	9.3	.50	8.6	.51	7.9	.50												
225C6B	3/4	698	4111	5084		4836		4523		4161		3957		3714											
				11.2	.57	11.2	.59	10.8	.61	10.2	.62	9.4	.62	8.7	.62										
	31 lbs.	747	4400	5441		5210		4940		4578		4335		4162		3816									
225C7B	1 36 lbs.	825	4859	6009		5802		5573		5275		4965		4768		4613		4384							
				15.2	.93	15.2	.96	15.1	.98	14.6	1.01	14.1	1.03	13.3	1.03	12.5	1.03	11.8	1.02						
225C8B	1-1/2	886	5218	6454		6261		6055		5809		5491		5250		5086		4942		4732					
				17.4	1.16	17.4	1.18	17.4	1.21	16.9	1.24	16.5	1.27	15.8	1.28	15.0	1.28	14.2	1.27	13.5	1.27				
	38 lbs.	947	5578	6898		6718		6529		6316		6040		5757		5563		5417		5282					
225C9B	2	995	5861	7248		7077		6899		6703		6464		6179		5951		5787		5657		5341			
				21	1.64	21	1.67	21	1.70	21	1.73	21	1.76	20	1.79	19.7	1.81	18.9	1.81	18.2	1.81	16.8	1.80		
	50 lbs.	1043	6143	7597		7434		7266		7085		6875		6611		6356		6170		6026		5777			
				23	1.89	23	1.92	23	1.95	23	1.98	23	2.01	22	2.05	22	2.08	21	2.09	20	2.09	18.9	2.08		

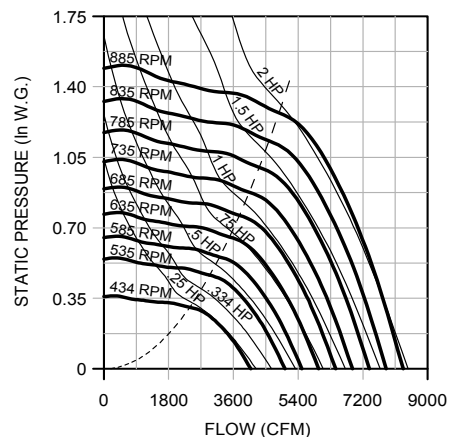
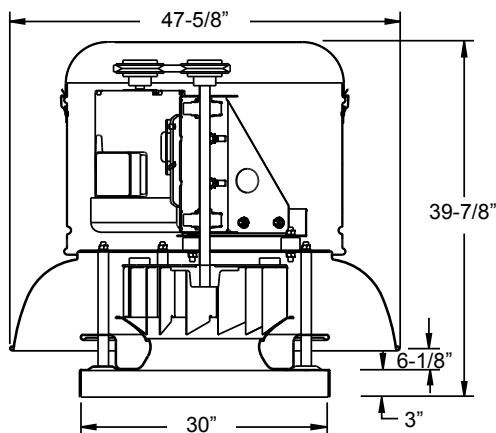
Performance certified is for Installation Type A: free inlet, free outlet. Power rating (BHP) does not include transmission losses. Performance ratings do not include the effects of appurtenances (accessories). The sound ratings shown are loudness values in fan sones at 5 ft. (1.5m) in a hemispherical free field calculated per AMCA Standard 301. Values shown are for Installation Type A: free inlet hemispherical sone levels.

245 ACEB

Wheel Diameter - 24.5"
Tip Speed (FPM) - 6.4 x RPM
Maximum RPM - 885
Maximum BHP - 3.0 x (RPM/1000)³
Maximum Motor Frame - 182T
Approx. Ship Wt. (Less Motor) - 240 lbs.
Roof Curb - RCG, RCA 28
Roof Opening - 25-1/2" Sq.

Material Gauges

Top Cap Lid - .063
Top Cap Cylinder - .040
Baffle - .080
Base - .080

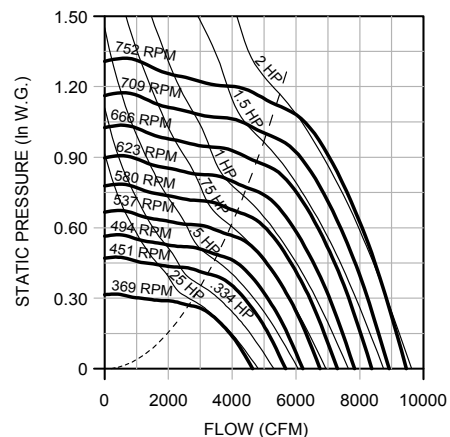
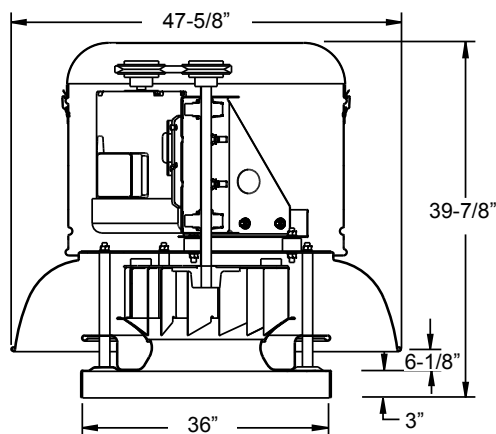


270 ACEB

Wheel Diameter - 27"
Tip Speed (FPM) - 7.1 x RPM
Maximum RPM - 752
Maximum BHP - 4.9 x (RPM/1000)³
Maximum Motor Frame - 182T
Approx. Ship Wt. (Less Motor) - 260 lbs.
Roof Curb - RCG, RCA 34
Roof Opening - 31-1/2" Sq.

Material Gauges

Top Cap Lid - .063
Top Cap Cylinder - .040
Baffle - .080
Base - .080

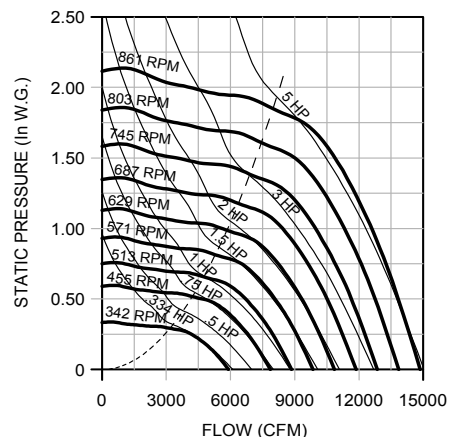
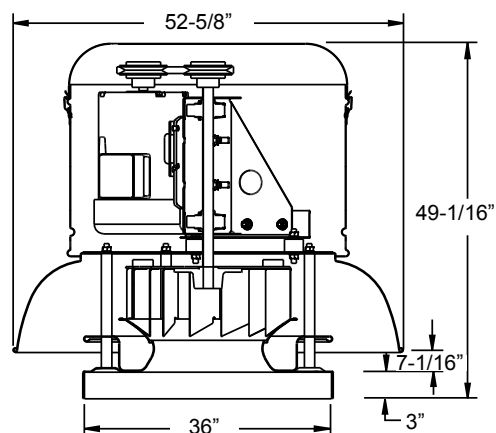


300 ACEB

Wheel Diameter - 30"
Tip Speed (FPM) - 7.9 x RPM
Maximum RPM (Standard Wheel) - 837
Maximum RPM (Reinforced Wheel) - 861
Maximum BHP - 8.3 x (RPM/1000)³
Maximum Motor Frame - 184T
Approx. Ship Wt. (Less Motor) - 300 lbs.
Roof Curb - RCG, RCA 34
Roof Opening - 31-1/2" Sq.

Material Gauges

Top Cap Lid - .063
Top Cap Cylinder - .050
Baffle - .080
Base - .080



Performance certified is for Installation Type A: free inlet, free outlet. Power rating (BHP) does not include transmission losses. Performance ratings do not include the effects of appurtenances (accessories). The sound ratings shown are loudness values in fan sones at 5 ft. (1.5m) in a hemispherical free field calculated per AMCA Standard 301. Values shown are for Installation Type A: free inlet hemispherical sone levels. **Shaded area indicates reinforced wheel required.**

245 ACEB

Catalog Number	Mtr. HP/ Drv. Wt.	Fan RPM	Tip Speed	CFM at Static Pressure																					
				0.00" SP		0.125" SP		0.250" SP		0.375" SP		0.500" SP		0.625" SP		0.750" SP		0.875" SP		1.000" SP		1.250" SP		1.500" SP	
				Sone	BHP	Sone	BHP	Sone	BHP	Sone	BHP	Sone	BHP	Sone	BHP	Sone	BHP	Sone	BHP	Sone	BHP	Sone	BHP	Sone	BHP
245C3B	1/4 15 lbs.	434	2783	4081		3651		3017																	
				5.6	.22	5.3	.24	4.5	.25																
245C4B	1/3 19 lbs.	480	3078	4513		4133		3633																	
				6.7	.30	6.6	.32	5.9	.33																
245C5B	1/2 23 lbs.	551	3534	5181		4856		4475		3969															
				8.8	.46	8.7	.48	8.1	.50	7.3	.50														
245C6B	3/4 31 lbs.	634	4066	5962		5682		5377		5009		4552		3863											
				11.1	.70	11.1	.72	10.7	.75	10.1	.76	9.3	.77	8.6	.74										
245C7B	1 36 lbs.	666	4271	6262		5996		5713		5380		4975		4464											
				12.2	.81	12.2	.84	11.9	.86	11.3	10.5	10.5	.89	9.7	.89										
				6573		6320		6053		5751		5387		4954		4335									
245C8B	1-1/2 38 lbs.	751	4816	7062		6827		6583		6316		6005		5644		5216		4593							
				15.2	1.16	15.2	1.19	15.1	1.22	14.6	1.24	14.0	1.26	13.2	1.27	12.4	1.27	11.7	1.24						
				7551		7331		7105		6864		6594		6283		5930		5512		4913					
245C9B	2 50 lbs.	844	5413	7936		7728		7514		7289		7044		6764		6449		6094		5671					
				18.7	1.65	18.7	1.69	18.7	1.72	18.4	1.75	18.0	1.77	17.4	1.79	16.6	1.80	15.9	1.81	15.1	1.80				
				8322		8123		7920		7709		7482		7230		6946		6632		6278		5121			
		885	5676	20	1.90	20	1.94	20	1.97	20	2.01	19.7	2.03	19.3	2.05	18.5	2.07	17.8	2.08	17.1	2.09	15.6	1.97		

270 ACEB

Catalog Number	Mtr. HP/ Drv. Wt.	Fan RPM	Tip Speed	CFM at Static Pressure																					
				0.00" SP		0.125" SP		0.250" SP		0.375" SP		0.500" SP		0.625" SP		0.750" SP		0.875" SP		1.000" SP		1.250" SP		1.500" SP	
				Sone	BHP	Sone	BHP	Sone	BHP	Sone	BHP	Sone	BHP	Sone	BHP	Sone	BHP	Sone	BHP	Sone	BHP	Sone	BHP	Sone	BHP
270C3B	1/4 15 lbs.	369	2608	4644		4073		3118																	
				5.0	.22	4.7	.24	3.8	.24																
270C4B	1/3 19 lbs.	408	2883	5135		4635		3931																	
				6.1	.30	5.9	.32	5.1	.33																
270C5B	1/2 23 lbs.	468	3308	5890		5465		4939		4197															
				7.8	.46	7.7	.48	7.1	.50	6.3	.50														
270C6B	3/4 31 lbs.	504	3562	6343		5951		5495		4893		3724													
				9.1	.57	9.1	.60	8.5	.62	7.6	.63	6.8	.58												
				6783		6419		6012		5496		4816													
270C7B	1 36 lbs.	594	4198	7475		7146		6793		6375		5863		5192											
				12.2	.94	12.2	.97	11.9	.99	11.1	1.01	10.3	1.02	9.5	1.02										
				8029		7724		7402		7039		6603		6086		5370									
270C8B	1-1/2 38 lbs.	638	4509	13.7		13.7		13.5		13.0		12.2		11.3		10.6									
				1.16		1.19		1.22		1.25		1.26		1.27		1.25									
				8596		8311		8015		7692		7316		6880		6365		5623							
270C9B	2 50 lbs.	717	5068	9023		8752		8473		8173		7834		7442		6995		6455		5497					
				16.9	1.65	16.9	1.68	16.9	1.72	16.4	1.75	16.0	1.77	15.1	1.79	14.3	1.80	13.6	1.80	12.9	1.69				
				9464		9206		8941		8661		8352		7999		7601		7147		6583					
		752	5315	18.4	1.9	18.4	1.94	18.4	1.98	18.0	2.01	17.6	2.04	16.9	2.06	16.1	2.07	15.3	2.08	14.6	2.06				

300 ACEB

Catalog Number	Mtr. HP/ Drv. Wt.	Fan RPM	Tip Speed	CFM at Static Pressure																					
				0.00" SP		0.125" SP		0.250" SP		0.375" SP		0.500" SP		0.625" SP		0.750" SP		0.875" SP		1.000" SP		1.250" SP		1.500" SP	
				Sone	BHP	Sone	BHP	Sone	BHP	Sone	BHP	Sone	BHP	Sone	BHP	Sone	BHP	Sone	BHP	Sone	BHP	Sone	BHP	Sone	BHP
300C4B	1/3 19 lbs.	342	2686	5904		5227		4171																	
				6.1	.30	5.2	.32	4.4	.33																
300C5B	1/2 23 lbs.	393	3086	6785		6216		5468		3986															
				8.0	.46	7.2	.49	6.4	.5	5.8	.46														
300C6B	3/4 31 lbs.	452	3550	7803		7317		6749		5999		4458													
				10.7	.70	9.9	.73	8.9	.75	8.2	.76	7.6	.69												
300C7B	1 36 lbs.	499	3919	8615		8178		7696		7096		6334													
				13.0	.94	12.5	.97	11.3	1.00	10.5	1.02	9.8	1.03												
300C8B	1-1/2 38 lbs.	573	4500	9892		9514		9115		8664		8123		7480		6581									
				16.4	1.42	16.1	1.46	14.9	1.50	14.0	1.53	13.3	1.55	12.7	1.56	12.1	1.53								
300C9B	2 50 lbs.	631	4955	10894		10551		10196		9813		9374		8865		8278		7529							
				18.9	1.90	18.9	1.94	17.8	1.99	16.9	2.02	16.3	2.05	15.6	2.07	15.0	2.08	14.3	2.06						
300C10B	3 74 lbs.	677	5317	11688		11369		11042		10696		10315		9878		9386		8825		8128					
				21	2.34	21	2.39	20	2.44	19.4	2.48	18.7	2.52	18.1	2.54	17.5	2.56	16.9	2.57	16.4	2.55				
				12499		12201		11898		11581		11241		10864		10439		9970		9441		7742			
300C11B	5 98 lbs.	792	6220	24		24		23		22		21		20		19.5		18.9		18.9		17.9			
				2.87		2.92		2.97		3.02		3.06		3.09		3.11		3.13		3.14		2.98			
				13673		13401		13125		12842		12545		12228		11878		11493		11073		10098		8410	
		861	6762	28		28		28		27		26		25		24		23		23		21			
				3.75		3.81		3.87		3.92		3.97		4.01		4.05		4.07		4.09		4.11		3.88	
				14864		14614		14362		14105		13839		13562		13265		12944		12594		11814			
				33	4.82	33	4.89	33	4.95	31	5.01	30	5.07	29	5.12	29	5.16	28	5.20	28	5.22	26	5.27		

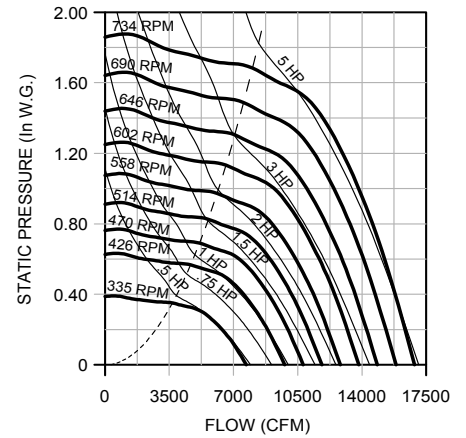
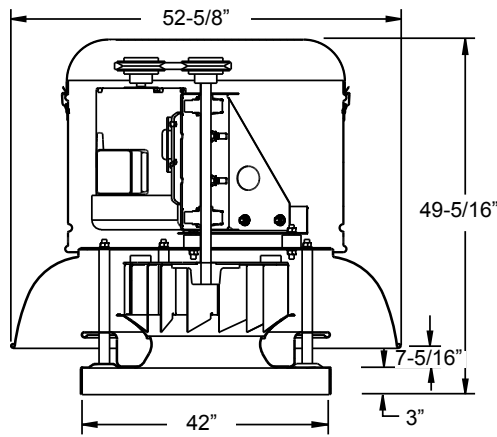
Performance certified is for Installation Type A: free inlet, free outlet. Power rating (BHP) does not include transmission losses. Performance ratings do not include the effects of appurtenances (accessories). The sound ratings shown are loudness values in fan sones at 5 ft. (1.5m) in a hemispherical free field calculated per AMCA Standard 301. Values shown are for Installation Type A: free inlet hemispherical sone levels. **Shaded area indicates reinforced wheel required.**

330 ACEB

Wheel Diameter - 33"
Tip Speed (FPM) - 8.6 x RPM
Maximum RPM (Standard Wheel) - 716
Maximum RPM (Reinforced Wheel) - 734
Maximum BHP - 13.3 x (RPM/1000)³
Maximum Motor Frame - 184T
Approx. Ship Wt. (Less Motor) - 365 lbs.
Roof Curb - RCG, RCA 40
Roof Opening - 37-1/2" Sq.

Material Gauges

Top Cap Lid - .063
Top Cap Cylinder - .050
Baffle - .080
Base - .080

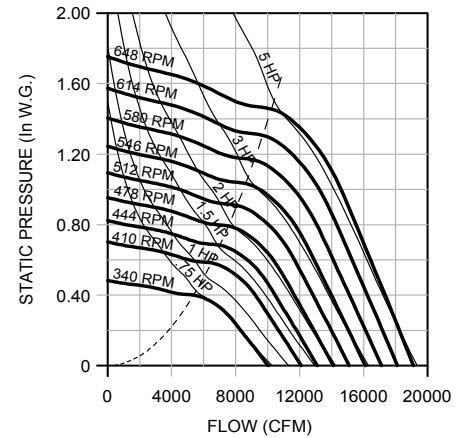
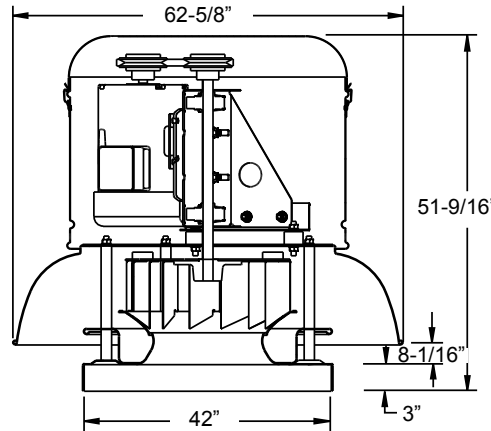


365 ACEB

Wheel Diameter - 36.5"
Tip Speed (FPM) - 9.6 x RPM
Maximum RPM (Standard Wheel) - 624
Maximum RPM (Reinforced Wheel) - 648
Maximum BHP - 19.4 x (RPM/1000)³
Maximum Motor Frame - 184T
Approx. Ship Wt. (Less Motor) - 380 lbs.
Roof Curb - RCG, RCA 40
Roof Opening - 37-1/2" Sq.

Material Gauges

Top Cap Lid - .063
Top Cap Cylinder - .050
Baffle - .080
Base - .080

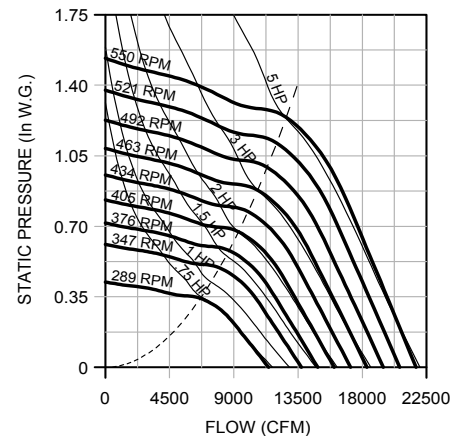
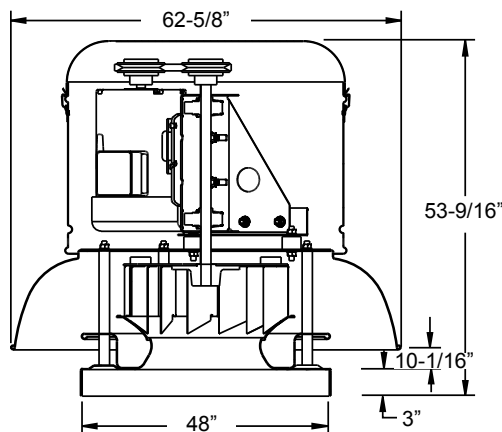


402 ACEB

Wheel Diameter - 40.25"
Tip Speed (FPM) - 10.5 x RPM
Maximum RPM (Standard Wheel) - 539
Maximum RPM (Reinforced Wheel) - 550
Maximum BHP - 31.7 x (RPM/1000)³
Maximum Motor Frame - 213T
Approx. Ship Wt. (Less Motor) - 440 lbs.
Roof Curb - RCG, RCA 46
Roof Opening - 43-1/2" Sq.

Material Gauges

Top Cap Lid - .063
Top Cap Cylinder - .050
Baffle - .080
Base - .080



Performance certified is for Installation Type A: free inlet, free outlet. Power rating (BHP) does not include transmission losses. Performance ratings do not include the effects of appurtenances (accessories). The sound ratings shown are loudness values in fan sones at 5 ft. (1.5m) in a hemispherical free field calculated per AMCA Standard 301. Values shown are for Installation Type A: free inlet hemispherical sone levels. **Shaded area indicates reinforced wheel required.**

330 ACEB

Catalog Number	Mtr. HP/ Drv. Wt.	Fan RPM	Tip Speed	CFM at Static Pressure																					
				0.00" SP		0.125" SP		0.250" SP		0.375" SP		0.500" SP		0.625" SP		0.750" SP		0.875" SP		1.000" SP		1.250" SP		1.500" SP	
				Sone	BHP	Sone	BHP	Sone	BHP	Sone	BHP	Sone	BHP	Sone	BHP	Sone	BHP	Sone	BHP	Sone	BHP	Sone	BHP	Sone	BHP
330C5B	1/2 23 lbs.	335	2894	7698		6953		5909																	
				7.2	.46	6.3	.49	5.5	.50																
330C6B	3/4 31 lbs.	385	3326	8847		8215		7437		6343															
				9.5	.69	8.7	.73	7.8	.75	7.1	.76														
330C7B	1 36 lbs.	425	3671	9766		9198		8551		7712		6479													
				11.6	.93	10.9	.97	9.8	1.00	9.1	1.02	8.5	1.00												
330C8B	1-1/2 38 lbs.	488	4216	11213		10723		10198		9577		8818		7831											
				15.2	1.41	14.8	1.46	13.5	1.50	12.7	1.53	12.0	1.55	11.3	1.54										
330C9B	2 50 lbs.	513	4432	11788		11323		10830		10268		9590		8774		7490									
				16.7	1.64	16.4	1.69	15.1	1.74	14.3	1.77	13.6	1.79	12.9	1.80	12.2	1.73								
		538	4647	12362		11920		11456		10941		10330		9614		8717		6588							
330C10B	3 74 lbs.	578	4993	13281		12870		12444		11985		11463		10856		10159		9289		7299					
				19.9	2.35	19.8	2.40	18.7	2.46	17.7	2.50	17.0	2.54	16.4	2.56	15.8	2.57	15.2	2.56	14.6	2.30				
		618	5339	14200		13816		13422		13006		12548		12023		11433		10762		9935					
330C11B	5 98 lbs.	676	5840	15533		15182		14825		14456		14060		13628		13143		12607		12015		10444			
				26	3.76	26	3.82	25	3.89	24	3.95	23	4.00	22	4.04	22	4.07	21	4.10	20	4.12	19.3	4.04		
		734	6341	16866		16543		16216		15880		15530		15158		14753		14305		13818		12704		11107	
				30	4.81	30	4.88	29	4.95	28	5.02	27	5.08	26	5.13	26	5.18	25	5.21	24	5.24	23	5.27	22	5.14

365 ACEB

Catalog Number	Mtr. HP/ Drv. Wt.	Fan RPM	Tip Speed	CFM at Static Pressure																					
				0.00" SP		0.125" SP		0.250" SP		0.375" SP		0.500" SP		0.625" SP		0.750" SP		0.875" SP		1.000" SP		1.250" SP		1.500" SP	
				Sone	BHP	Sone	BHP	Sone	BHP	Sone	BHP	Sone	BHP	Sone	BHP	Sone	BHP	Sone	BHP	Sone	BHP	Sone	BHP	Sone	BHP
365C6B	3/4 31 lbs.	340	3248	10031		8971		7888		6233															
				9.1	.70	8.4	.74	7.5	.76	6.8	.74														
365C7B	1 36 lbs.	375	3583	11064		10106		9124		8060															
				11.2	.94	10.4	.99	9.4	1.00	8.7	1.02														
365C8B	1-1/2 38 lbs.	403	3850	11890		11000		10088		9168		7840													
				13.0	1.16	12.3	1.22	11.2	1.24	10.4	1.27	9.7	1.25												
		431	4118	12716		11885		11036		10184		9220		7455											
365C9B	2 50 lbs.	453	4328	13365		12575		11770		10957		10117		8900											
				16.2	1.65	15.8	1.72	14.5	1.75	13.7	1.77	13.0	1.8	12.3	1.77										
		475	4538	14014		13261		12496		11718		10942		10002		8400									
365C10B	3 74 lbs.	510	4873	15047		14346		13637		12913		12194		11447		10469		8824							
				20	2.36	19.9	2.43	18.7	2.49	17.7	2.51	17.0	2.54	16.4	2.57	15.7	2.56	15.1	2.46						
		545	5207	16079		15424		14762		14089		13411		12739		12004		11012		9415					
365C11B	5 98 lbs.	597	5704	17613		17016		16414		15804		15185		14568		13954		13295		12476					
				25	3.78	25	3.87	25	3.95	23	4.00	22	4.03	22	4.05	21	4.09	21	4.13	20	4.11				
		648	6192	19118		18567		18014		17456		16889		16318		15751		15186		14589		12987			
				29	4.83	29	4.93	28	5.02	27	5.09	26	5.13	25	5.16	25	5.19	24	5.23	24	5.27	22	5.21		

402 ACEB

Catalog Number	Mtr. HP/ Drv. Wt.	Fan RPM	Tip Speed	CFM at Static Pressure																					
				0.00" SP		0.125" SP		0.250" SP		0.375" SP		0.500" SP		0.625" SP		0.750" SP		0.875" SP		1.000" SP		1.250" SP		1.500" SP	
				Sone	BHP	Sone	BHP	Sone	BHP	Sone	BHP	Sone	BHP	Sone	BHP	Sone	BHP	Sone	BHP	Sone	BHP	Sone	BHP	Sone	BHP
402C6B	3/4 31 lbs.	289	3045	11434		10053		8617																	
				8.2	.70	7.3	.74	6.5	.76																
402C7B	1 36 lbs.	319	3361	12621		11375		10102		8433															
				9.9	.94	9.1	.99	8.2	1.01	7.5	1.01														
402C8B	1-1/2 38 lbs.	343	3614	13570		12414		11229		9959															
				11.5	1.17	10.8	1.23	9.7	1.25	9.0	1.28														
		366	3856	14480		13398		12289		11171		9563													
402C9B	2 50 lbs.	384	4046	15192		14162		13108		12052		10794													
				14.4	1.64	13.9	1.71	12.7	1.75	11.9	1.77	11.2	1.78												
		403	4246	15944		14963		13962		12955		11884		10197											
402C10B	3 74 lbs.	433	4562	17131		16219		15292		14350		13412		12288		10416									
				18.0	2.35	17.7	2.43	16.5	2.49	15.6	2.51	14.9	2.55	14.2	2.56	13.6	2.48								
		463	4878	18318		17465		16603		15723		14849		13939		12753									
402C11B	5 98 lbs.	507	5342	20058		19281		18496		17699		16893		16098		15260		14217		12665					
				24	3.77	24	3.87	23	3.95	22	4.01	21	4.03	20	4.07	19.5	4.11	18.9	4.10	18.3	4.01				
		550	5795	21760		21043		20322		19592		18851		18111		17377		16604		15680					
				27	4.81	27	4.92	26	5.02	25	5.09	24	5.13	24	5.15	23	5.20	22	5.25	22	5.25				

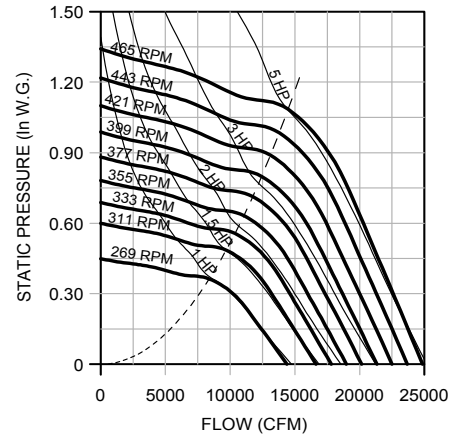
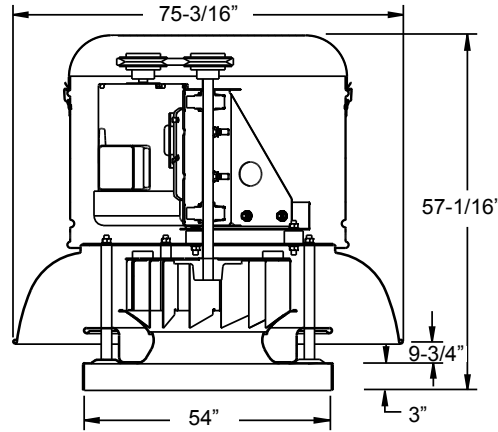
Performance certified is for Installation Type A: free inlet, free outlet. Power rating (BHP) does not include transmission losses. Performance ratings do not include the effects of appurtenances (accessories). The sound ratings shown are loudness values in fan sones at 5 ft. (1.5m) in a hemispherical free field calculated per AMCA Standard 301. Values shown are for Installation Type A: free inlet hemispherical sone levels. **Shaded area indicates reinforced wheel required.**

445 ACEB

Wheel Diameter - 44.5"
Tip Speed (FPM) - 11.7 x RPM
Maximum RPM (Standard Wheel) - 463
Maximum RPM (Reinforced Wheel) - 465
Maximum BHP - 52.3 x (RPM/1000)³
Maximum Motor Frame - 213T
Approx. Ship Wt. (Less Motor) - 500 lbs.
Roof Curb - RCG, RCA 52
Roof Opening - 49-1/2" Sq.

Material Gauges

Top Cap Lid - .063
Top Cap Cylinder - .050
Baffle - .080
Base - .080

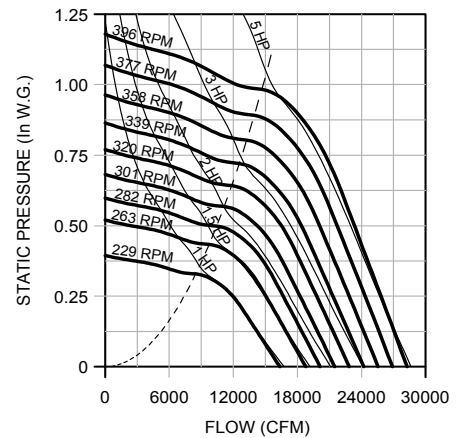
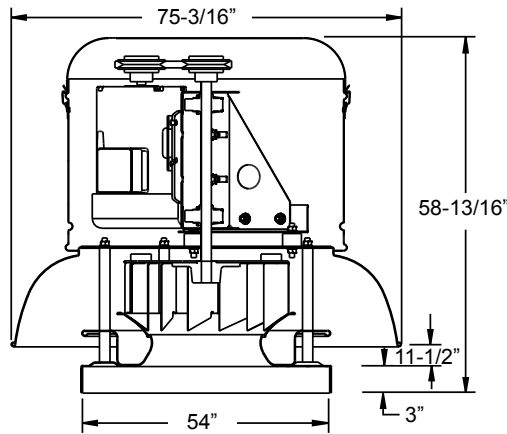


490 ACEB

Wheel Diameter - 49"
Tip Speed (FPM) - 12.8 x RPM
Maximum RPM (Standard Wheel) - 360
Maximum RPM (Reinforced Wheel) - 396
Maximum BHP - 84.6 x (RPM/1000)³
Maximum Motor Frame - 213T
Approx. Ship Wt. (Less Motor) - 650 lbs.
Roof Curb - RCG, RCA 52
Roof Opening - 49-1/2" Sq.

Material Gauges

Top Cap Lid - .063
Top Cap Cylinder - .050
Baffle - .080
Base - .080

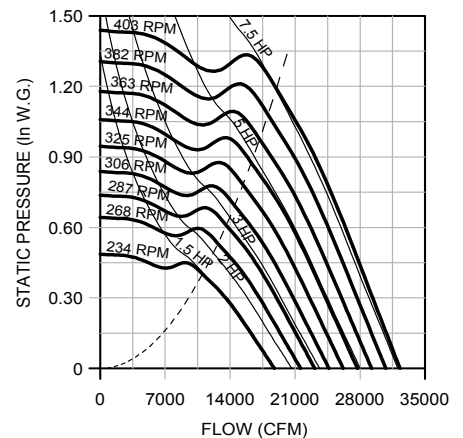
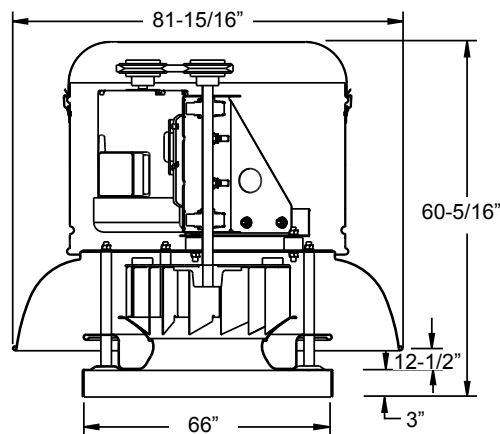


540 ACEB

Wheel Diameter - 54"
Tip Speed (FPM) - 14.1 x RPM
Maximum RPM (Standard Wheel) - 347
Maximum RPM (Reinforced Wheel) - 401
Maximum BHP - 120.6 x (RPM/1000)³
Maximum Motor Frame - 215T
Approx. Ship Wt. (Less Motor) - 858 lbs.
Roof Curb - RCG, RCA 64
Roof Opening - 61-1/2" Sq.

Material Gauges

Top Cap Lid - .063
Top Cap Cylinder - .050
Baffle - .080
Base - .080



Performance certified is for Installation Type A: free inlet, free outlet. Power rating (BHP) does not include transmission losses. Performance ratings do not include the effects of appurtenances (accessories). The sound ratings shown are loudness values in fan sones at 5 ft. (1.5m) in a hemispherical free field calculated per AMCA Standard 301. Values shown are for Installation Type A: free inlet hemispherical sone levels. **Shaded area indicates reinforced wheel required.**

445 ACEB

Catalog Number	Mtr. HP/ Drv. Wt.	Fan RPM	Tip Speed	CFM at Static Pressure																					
				0.00" SP		0.125" SP		0.250" SP		0.375" SP		0.500" SP		0.625" SP		0.750" SP		0.875" SP		1.000" SP		1.250" SP		1.500" SP	
				Sone	BHP	Sone	BHP	Sone	BHP	Sone	BHP	Sone	BHP	Sone	BHP	Sone	BHP	Sone	BHP	Sone	BHP	Sone	BHP	Sone	BHP
445C7B	1 36 lbs.	269	3133	14382		12746		11064																	
				8.8	.93	8.0	.99	7.1	1.01																
445C8B	1-1/2 38 lbs.	289	3366	15451		13933		12382		10364															
				10.1	1.15	9.3	1.22	8.4	1.25	7.7	1.24														
	309	3599	16521		15104		13651		12086																
11.6			1.41	10.9	1.49	9.8	1.51	9.0	1.54																
445C9B	2 50 lbs.	325	3786	17376		16030		14650		13245		11044													
				12.8	1.64	12.2	1.72	11.0	1.76	10.2	1.79	9.5	1.75												
	341	3972	18232		16950		15637		14322		12655														
14.1			1.90	13.6	1.98	12.3	2.02	11.5	2.06	10.8	2.06														
445C10B	3 74 lbs.	366	4263	19568		18376		17159		15933		14639		12643											
				16.1	2.34	15.7	2.44	14.4	2.49	13.6	2.52	12.9	2.56	12.1	2.50										
	391	4555	20905		19790		18656		17504		16356		14977		12666										
18.1			2.86	17.8	2.96	16.6	3.03	15.8	3.06	15.0	3.1	14.3	3.12	13.7	3.02										
445C11B	5 98 lbs.	428	4986	22883		21865		20836		19786		18739		17676		16380		14389							
				21	3.75	21	3.86	20	3.95	18.9	4.00	18.2	4.03	17.6	4.08	16.9	4.09	16.3	3.98						
	465	5417	24861		23925		22981		22022		21052		20092		19100		17912		16211						
25			4.81	25	4.93	24	5.04	23	5.11	22	5.14	21	5.18	20	5.24	19.7	5.25	19.1	5.14						

490 ACEB

Catalog Number	Mtr. HP/ Drv. Wt.	Fan RPM	Tip Speed	CFM at Static Pressure																					
				0.00" SP		0.125" SP		0.250" SP		0.375" SP		0.500" SP		0.625" SP		0.750" SP		0.875" SP		1.000" SP		1.250" SP		1.500" SP	
				Sone	BHP	Sone	BHP	Sone	BHP	Sone	BHP	Sone	BHP	Sone	BHP	Sone	BHP	Sone	BHP	Sone	BHP	Sone	BHP	Sone	BHP
490C7B	1 36 lbs.	229	2937	16346		14223		11950																	
				7.8	.93	6.9	.99	6.2	1.02																
490C8B	1-1/2 38 lbs.	246	3155	17559		15590		13568		9724															
				9.0	1.15	8.1	1.22	7.3	1.25	6.6	1.17														
	263	3373	18773		16935		15057		12633																
10.4			1.41	9.6	1.49	8.6	1.52	7.9	1.52																
490C9B	2 50 lbs.	277	3553	19772		18031		16246		14273															
				11.5	1.64	10.8	1.73	9.7	1.77	8.9	1.79														
	290	3720	20700		19038		17333		15574		12543														
12.6			1.89	11.9	1.98	10.8	2.02	10.0	2.06	9.2	1.99														
490C10B	3 74 lbs.	312	4002	22271		20729		19148		17566		15609													
				14.5	2.35	14.0	2.46	12.7	2.51	11.9	2.55	11.2	2.55												
	333	4271	23770		22326		20853		19369		17806		15411												
16.3			2.86	15.9	2.97	14.7	3.04	13.8	3.07	13.1	3.12	12.4	3.05												
490C11B	5 98 lbs.	365	4682	26054		24738		23404		22044		20695		19189		16912									
				19.3	3.76	19.0	3.89	17.8	3.98	16.8	4.02	16.1	4.07	15.5	4.11	14.8	4.02								
	396	5079	28266		27055		25831		24583		23333		22080		20633		18518								
22			4.80	22	4.95	21	5.06	19.9	5.12	19.2	5.16	18.5	5.22	17.8	5.25	17.2	5.14								

540 ACEB

Catalog Number	Mtr. HP/ Drv. Wt.	Fan RPM	Tip Speed	CFM at Static Pressure																					
				0.00" SP		0.125" SP		0.250" SP		0.375" SP		0.500" SP		0.625" SP		0.750" SP		0.875" SP		1.000" SP		1.250" SP		1.500" SP	
				Sone	BHP	Sone	BHP	Sone	BHP	Sone	BHP	Sone	BHP	Sone	BHP	Sone	BHP	Sone	BHP	Sone	BHP	Sone	BHP	Sone	BHP
540C8B	1-1/2 38 lbs.	234	3308	18852		16755		14603		11865															
				10.3	1.52	10.6	1.55	10.2	1.55	9.7	1.52														
540C9B	2 50 lbs.	258	3647	20786		18883		16967		14843															
				12.5	2.04	13.0	2.07	12.0	2.07	11.9	2.07														
540C10B	3 74 lbs.	277	3916	22317		20544		18769		16900		14598													
				14.3	2.53	14.8	2.55	13.4	2.57	13.7	2.56	13.1	2.53												
	296	4184	23847		22189		20531		18828		16922		14490												
16.0			3.08	16.4	3.11	15.6	3.13	15.3	3.13	14.9	3.12	14.3	3.05												
540C11B	5 98 lbs.	315	4453	25378		23820		22262		20686		19005		17002											
				17.8	3.72	18.2	3.75	17.7	3.77	16.8	3.77	16.8	3.77	16.1	3.74										
	334	4721	26909		25439		23970		22494		20963		19267		17189										
19.6			4.43	20	4.46	20	4.49	18.3	4.5	18.7	4.49	18.1	4.49	17.3	4.42										
540C12B	7-1/2 120 lbs.	352	4976	28359		26964		25570		24175		22747		21230		19481		17386							
				21	5.18	22	5.22	22	5.25	20	5.27	20	5.26	20	5.26	19.3	5.23	18.6	5.14						
	369	5216	29728		28398		27068		25739		24391		22989		21457		19642		17587						
23			5.97	24	6.01	24	6.05	23	6.07	22	6.06	22	6.06	21	6.05	20	5.99	19.9	5.89						
386			5456	31098		29827		28554		27284		26005		24691		23299		21732		19892					
	25	6.84		25	6.87	26	6.91	25	6.94	23	6.94	24	6.94	23	6.94	22	6.91	22	6.83						
403	5697	32468		31250		30031		28815		27594		26352		25059		23667		22069							
		27	7.78	27	7.82	28	7.86	27	7.89	25	7.90	25	7.90	25	7.90	25	7.89	24	7.84						

Performance certified is for Installation Type A: free inlet, free outlet. Power rating (BHP) does not include transmission losses. Performance ratings do not include the effects of appurtenances (accessories). The sound ratings shown are loudness values in fan sones at 5 ft. (1.5m) in a hemispherical free field calculated per AMCA Standard 301. Values shown are for Installation Type A: free inlet hemispherical sone levels. **Shaded area indicates reinforced wheel required.**

70 - 135 ACRUD-EC Data

Catalog Number	HP	Fan RPM	Tip Speed	Max Watts	CFM at Static Pressure																					
					0.00" SP		0.125" SP		0.250" SP		0.375" SP		0.500" SP		0.625" SP		0.750" SP		0.875" SP		1.000" SP		1.250" SP		1.500" SP	
					CFM	SoneWatts	CFM	SoneWatts	CFM	SoneWatts	CFM	SoneWatts	CFM	SoneWatts	CFM	SoneWatts	CFM	SoneWatts	CFM	SoneWatts	CFM	SoneWatts	CFM	SoneWatts	CFM	SoneWatts
70R17DEC	1/4	429	784	5	74																					
					0.2	5																				
		861	1581	12	149																					
					1.6	12																				
1293	2369	25	223		140																					
			4.7	25	4.1	21																				
1725	3160	49	298		238		172		94																	
			6.4	49	5.7	45	5.0	38	4.3	30																
90R17DEC	1/4	465	1095	7	195																					
					0.2	7																				
		885	2085	24	372		218																			
					3.4	24	2.5	20																		
1305	3074	62	548		456		345		190																	
			8.6	62	7.7	58	6.9	53	5.9	41																
1725	4064	132	725		659		583		500		405		289													
			12.8	132	12.1	128	11.4	124	10.7	117	9.9	107	9.0	90												
100R17DEC	1/4	468	1225	7	239																					
					0.2	7																				
		887	2322	28	454		305																			
					2.9	28	2.7	26																		
1306	3419	75	668		578		470																			
			7.7	75	7.6	74	7.4	70																		
1725	4516	163	882		817		744		664		572		470													
			11.5	163	11.5	162	11.4	159	11.3	154	10.9	147	10.5	137												
101R17DEC	1/4	468	1225	6	260																					
					0.2	6																				
		887	2322	23	494		392																			
					2.9	21	2.7	23																		
1306	3419	61	727		653		589		512		359															
			7.7	54	7.6	56	7.4	59	6.9	61	6.5	55														
1725	4516	131	960		902		850		803		750		690		626		465									
			11.5	114	11.5	117	11.4	121	11.3	124	10.9	128	10.5	131	10.2	129	9.9	116								
120R17DEC	1/2	471	1479	12	484																					
					0.8	12																				
		889	2792	55	914		795		651																	
					4.9	50	4.8	54	4.1	55																
1307	4106	156	1343		1264		1182		1093		992		879													
			11.5	141	11.5	146	11.2	152	10.7	155	10.1	156	9.5	155												
1725	5419	346	1773		1713		1652		1591		1527		1459		1386		1307		1224							
			17.6	311	17.6	318	17.6	326	17.4	332	17.1	339	16.7	343	16.4	346	16.1	346	15.8	344						
135R17DEC	3/4	561	1982	31	845		607																			
					2.3	29	1.9	31																		
		949	3354	118	1429		1303		1165		1006															
					7.4	106	7.4	112	6.9	117	6.3	118														
1337	4725	311	2014		1925		1835		1740		1638		1526		1412		1284									
			15.1	276	15.1	285	15.1	294	14.7	301	14.2	307	13.5	309	13.1	311	12.7	309								
1725	6096	653	2598		2529		2460		2390		2319		2245		2167		2085		1998		1820		1606			
			22	578	22	590	22	602	22	613	22	623	22	632	21	640	21	646	21	649	20	653	19.5	644		

Performance certified is for Installation Type A: free inlet, free outlet. Performance ratings do not include the effects of appurtenances (accessories). The sound ratings shown are loudness values in fan sones at 5 ft. (1.5m) in a hemispherical free field calculated per AMCA Standard 301. Values shown are for Installation Type A: free inlet hemispherical sone levels.

Catalog Number	Mtr. HP	Fan RPM	Tip Speed	Max. Watts	CFM at Static Pressure																					
					0.00" SP		0.125" SP		0.250" SP		0.375" SP		0.500" SP		0.625" SP		0.750" SP		0.875" SP		1.000" SP		1.250" SP		1.500" SP	
					Sone	BHP	Sone	BHP	Sone	BHP	Sone	BHP	Sone	BHP	Sone	BHP	Sone	BHP	Sone	BHP	Sone	BHP	Sone	BHP	Sone	BHP
70R10DL	1/25	1160	2123	72	100	56																				
70R10DM		1150	2105	75	3.4	3.6																				
70R10DH		1050	1922	80	145	76																				
70R15DL	1/20	1720	3112	86	3.7	3.3																				
70R15DM		1680	3057	92	194	89																				
70R15DH		1550	2837	92	5.0	4.9																				
90R10DL	1/25	1130	2655	80	149	117	94																			
90R10DM		1110	2596	85	5.5	5.4	4.8																			
90R10DH		1050	2478	85	211	169	116																			
90R15DL	1/8	1710	4047	95	6.6	5.9	5.1																			
90R15DM		1680	3841	118	274	210	151																			
90R15DH		1550	3658	132	6.4	6.4	5.9																			
100R10DL	1/25	1100	2882	89	306	241	167																			
100R10DM		1090	2817	90	4.6	4.2	4.1																			
100R10DH		1050	2751	94	391	299	184																			
100R15DL	1/8	1650	4362	130	5.2	4.8	4.0																			
100R15DM		1640	4258	139	470	353	201																			
100R15DH		1550	4061	169	4.4	4.3	4.1																			
101R10D	1/25	1050	2749	-	462	422	383	340	297	246	168															
101R11D	1/4	1140	2985	-	8.4	8.1	7.9	7.5	7.1	6.7	6.2															
101R15D	1/8	1550	4058	-	584	526	467	405	325	242	172															
101R17D	1/6	1725	4516	-	9.9	9.7	9.6	8.8	8.0	7.3	6.7															
120R10D	1/6	1075	3376	-	696	616	533	456	384	263	166															
120R11D	1/6	1140	3581	-	7.8	7.8	7.3	7.1	7.0	6.9	6.8															
120R13D	1/4*	1300	4084	-	370	304	227																			
120R15D		1550	4869	-	6.1	5.9	5.7																			
120R17D	1/3	1725	5417	-	435	358	256	124																		
135R10D	1/6	1075	3795	-	6.1	5.8	5.5	5.2																		
135R11D	1/6	1140	4029	-	554	424	261																			
135R13D	1/2*	1300	4595	-	6.6	6.9	6.4																			
135R15D		1550	5478	-	549	509	468	424	376	320	254	177														
135R17D	3/4	1725	6089	-	10.0	9.7	9.4	9.0	8.7	8.8	8.9	9.1														
					656	591	537	477	415	346	271	173														
					10.6	10.3	9.9	9.8	9.6	9.7	9.8	9.9														
					816	727	641	554	449	372	240															
					9.6	9.5	9.4	9.6	9.9	10.2	10.5															
					585	504	399																			
					4.7	.03	4.6	.03	4.2	.04																
					635	560	479																			
					5.8	.04	5.7	.04	5.3	.05																
					864	808	754	697	628	484																
					9.9	.10	9.8	.10	9.7	.11	9.4	.11	9.0	.12	8.6	.11										
					961	911	862	813	760	695	569															
					11.5	.14	11.5	.14	11.4	.15	11.3	.15	10.9	.15	10.5	.16	10.2	.15								
					1095	998	892	779																		
					7.6	.08	7.6	.09	7.1	.09	6.5	.09														
					1161	1070	971	868	733																	
					8.7	.09	8.7	.10	8.3	.11	7.7	.11	7.1	.11												
					1324	1244	1161	1072	981	867																
					11.4	.14	11.4	.15	11.1	.16	10.6	.16	10.0	.16	9.4	.16										
					1579	1512	1444	1372	1298	1223	1143	1047	872													
					14.9	.24	14.9	.25	14.9	.26	14.5	.26	14.2	.27	13.9	.27	13.5	.28	13.2	.28	13.0	.27				
					1757	1697	1637	1574	1509	1442	1374	1304	1227	946												
					17.6	.33	17.6	.34	17.6	.35	17.4	.36	17.1	.37	16.7	.37	16.4	.37	16.1	.38	15.8	.38	15.2	.36		
					1656	1550	1441	1324	1177																	
					9.6	.14	9.6	.15	9.2	.16	8.6	.16	8.0	.16												
					1756	1657	1555	1447	1325	1140	1325															
					11.2	.16	11.2	.18	10.9	.18	10.3	.19	9.7	.19	9.1	.19	9.7	.19								
					2002	1915	1827	1736	1640	1535	1640	1152														
					14.6	.24	14.6	.26	14.5	.27	14.0	.28	13.5	.28	12.8	.28	13.5	.28	11.8	.27						
					2387	2315	2241	2167	2091	2012	2091	1841	1736	1358												
					19.0	.41	19.0	.43	19.0	.44	18.8	.46	18.4	.47	18.1	.47	18.4	.47	17.5	.48	17.1	.48	16.5	.45		
					2657	2592	2526	2459	2392	2323	2253	2180	2103	1922	1614											
					23	.56	23	.58	23	.60	23	.62	23	.63	23	.64	22	.65	22	.65	22	.66	21	.67		

Performance certified is for Installation Type A: free inlet, free outlet. Performance ratings do not include the effects of appurtenances (accessories). Speed (RPM) shown for models 70 - 100 is nominal. Performance is based on actual speed of test. Speed (RPM) for all other models is constant and based on actual speed of test. The sound ratings shown are loudness values in fan sones at 5 ft. (1.5m) in a hemispherical free field calculated per AMCA Standard 301. Values shown are for Installation Type A: free inlet hemispherical sone levels. *Motor is a 2-speed 1300/1550 RPM motor.

150 ACRUDEC-HP/165-180 ACRUDEC-XP Data

150 ACRUDEC-HP

Catalog Number	HP	Fan RPM	Tip Speed	Max Watts	CFM at Static Pressure																					
					0.00" SP		0.125" SP		0.250" SP		0.375" SP		0.500" SP		0.625" SP		0.750" SP		0.875" SP		1.000" SP		1.250" SP		1.500" SP	
					Sone	Watts	Sone	Watts	Sone	Watts	Sone	Watts	Sone	Watts	Sone	Watts	Sone	Watts	Sone	Watts	Sone	Watts	Sone	Watts	Sone	Watts
150RH17DEC	1/2	543	2132	20	523		355																			
					1.4	17	1.4	20																		
		937	3679	78	903		819		724		610		471													
					5.0	65	5.0	71	5.0	76	4.8	78	4.4	77												
1331	5226	209	1282		1224		1164		1101		1032		953		871		783		677							
			9.6	171	9.6	179	9.6	186	9.5	195	9.7	201	9.8	205	9.7	208	9.1	209	8.7	206						
1725	6774	443	1662		1617		1572		1525		1478		1429		1377		1321		1260		1134		996			
			14.8	360	14.8	370	14.8	380	14.8	390	14.8	401	14.7	411	14.7	421	14.6	428	14.6	433	14.4	441	13.7	443		

165-180 ACRUDEC-XP

Catalog Number	HP	Fan RPM	Tip Speed	Max Watts	CFM at Static Pressure																					
					0.00" SP		0.125" SP		0.250" SP		0.375" SP		0.500" SP		0.625" SP		0.750" SP		0.875" SP		1.000" SP		1.250" SP		1.500" SP	
					Sone	Watts	Sone	Watts	Sone	Watts	Sone	Watts	Sone	Watts	Sone	Watts	Sone	Watts	Sone	Watts	Sone	Watts	Sone	Watts	Sone	Watts
165RX17DEC	1/2	528	2280	20	465		350																			
					2.0	17	1.4	20																		
		927	4004	92	816		756		692		621		548		451											
					6.1	66	5.7	73	5.3	80	5.0	86	4.8	92	4.6	90										
1326	5727	251	1167		1125		1083		1039		993		946		896		845		793		664					
			10.9	176	10.7	186	10.5	197	10.3	207	10.1	217	9.8	226	9.5	234	9.2	242	9.0	251	8.7	250				
1725	7451	522	1518		1486		1454		1421		1388		1354		1320		1284		1248		1171		1093			
			16.4	376	16.3	389	16.1	402	16.0	416	15.8	429	15.7	443	15.5	456	15.3	469	15.0	481	14.6	501	14.2	522		
180RX17DEC	3/4	555	2615	37	639		524		385																	
					2.6	28	2.1	34	1.8	37																
		945	4453	149	1089		1022		954		886		819		736		636		534							
					7.4	107	7.0	116	6.6	125	6.3	133	6.1	139	6.0	146	6.1	149	6.2	148						
1335	6291	400	1538		1491		1443		1395		1347		1298		1251		1205		1157		1038		897			
			13.3	280	13.0	293	12.6	307	12.3	320	12.0	332	11.6	344	11.4	354	11.3	364	11.2	372	11.1	390	11.5	400		
1725	8128	774	1987		1950		1914		1877		1840		1803		1766		1728		1691		1617		1545			
			20	589	19.7	607	19.4	624	19.1	641	18.8	658	18.5	675	18.2	691	18.1	707	17.9	722	17.7	750	17.6	774		

Performance certified is for Installation Type A: free inlet, free outlet. Performance ratings do not include the effects of appurtenances (accessories). The sound ratings shown are loudness values in fan sones at 5 ft. (1.5m) in a hemispherical free field calculated per AMCA Standard 301. Values shown are for Installation Type A: free inlet hemispherical sone levels.

Data ACRUD 150-180 / ACRUD-HP 150-195 / 165-195 ACRUD-XP

150-180 ACRUD

Cat. Number	Mtr. HP	Fan RPM	Tip Speed	CFM at Static Pressure																					
				0.000" SP		0.125" SP		0.250" SP		0.375" SP		0.500" SP		0.625" SP		0.750" SP		0.875" SP		1.000" SP		1.250" SP		1.500" SP	
				Sone	BHP	Sone	BHP	Sone	BHP	Sone	BHP	Sone	BHP	Sone	BHP	Sone	BHP	Sone	BHP	Sone	BHP	Sone	BHP	Sone	BHP
150R10D	1/3	1075	4225	2272		2154		2035		1910		1775		1601		1258									
				12.1	.23	12.1	.25	11.9	.26	11.4	.27	10.8	.27	10.2	.27	9.6	.25								
150R11D	1/3	1140	4477	2409		2298		2186		2071		1948		1808		1948									
				13.9	.27	13.9	.29	13.7	.31	13.3	.32	12.7	.32	12.1	.32	12.7	.32								
150R13D	3/4*	1300	5105	2747		2650		2553		2453		2351		2244		2351		1989		1791					
				18.0	.41	18.0	.43	18.0	.45	17.6	.46	17.2	.47	16.6	.47	17.2	.47	15.6	.48	15.1	.48				
150R15D	1550	6087	6087	3275		3194		3113		3030		2947		2862		2947		2685		2590		2365		1979	
				24	.69	24	.72	24	.74	24	.76	23	.78	23	.79	23	.78	22	.80	22	.81	21	.82	21	.79
165R10D	1/3	1075	4644	2925		2728		2543		2359		2156		1981		1696									
				14.9	.37	14.9	.38	14.8	.39	14.4	.39	13.8	.39	13.3	.39	12.8	.39								
165R11D	3/4	1140	4924	3194		3041		2894		2753		2602		2428		2602		2050							
				16.9	.48	16.9	.50	16.9	.52	16.4	.54	16.0	.55	15.4	.55	16.0	.55	14.4	.55						
180R10D	3/4	1075	5066	4065		3936		3805		3667		3518		3344		3518		2899		2646					
				16.4	.61	16.4	.63	16.3	.65	15.6	.67	14.9	.69	14.4	.70	14.9	.69	13.6	.70	13.2	.69				
180R11D	3/4	1140	5369	4310		4189		4066		3939		3803		3653		3474		3261		3047					
				17.9	.73	17.9	.75	17.9	.77	17.2	.79	16.5	.81	15.9	.83	15.5	.84	15.2	.84	14.8	.83				

150-195 ACRUD-HP

Cat. Number	Mtr. HP	Fan RPM	Tip Speed	CFM at Static Pressure																						
				0.125" SP		0.250" SP		0.375" SP		0.500" SP		0.625" SP		0.750" SP		0.875" SP		1.000" SP		1.250" SP		1.500" SP		1.750" SP		
				Sone	BHP	Sone	BHP	Sone	BHP	Sone	BHP	Sone	BHP	Sone	BHP	Sone	BHP	Sone	BHP	Sone	BHP	Sone	BHP	Sone	BHP	Sone
150RH10D	1/6	1075	4222	988		913		817		711		579														
				6.4	.12	6.5	.12	6.5	.13	6.4	.13	5.9	.13													
150RH11D	1/4	1140	4477	1055		987		904		804		696		566												
				7.2	.14	7.2	.15	7.3	.15	7.3	.15	6.9	.15	6.4	.15											
150RH13D	1/3*	1300	5105	1220		1163		1099		1022		934		846		736		623								
				9.2	.2	9.2	.21	9.1	.22	9.3	.23	9.5	.23	9.1	.23	8.6	.23	8.1	.22							
150RH15D	1550	6087	6087	1475		1428		1379		1326		1266		1196		1122		1049		872		668				
				12.4	.34	12.4	.35	12.3	.36	12.2	.37	12.3	.38	12.4	.38	12.4	.39	12.3	.39	11.4	.38	10.6	.36			
150RH17D	1/2	1725	6774	1651		1609		1566		1521		1473		1420		1359		1293		1161		1005		834		
				14.8	.47	14.8	.48	14.8	.49	14.8	.5	14.7	.51	14.7	.52	14.6	.53	14.6	.53	14.4	.53	13.7	.53	13.1	.51	
165RH10D	1/3	1075	4644	1830		1742		1633		1514		1375		1175												
				8.9	.22	8.7	.23	8.5	.24	8.3	.25	8.1	.25													
165RH11D	1/3	1140	4924	1950		1869		1772		1662		1546		1393		1194										
				9.9	.26	9.7	.27	9.5	.28	9.3	.29	9.1	.3	9.0	.3	9.0	.29									
165RH13D	3/4*	1300	5616	2244		2176		2100		2012		1915		1816		1704		1556								
				12.6	.38	12.6	.39	12.3	.41	11.9	.42	11.6	.43	11.6	.44	11.4	.44	11.5	.44							
165RH15D	1550	6696	6696	2699		2643		2585		2522		2451		2373		2292		2210		2027		1765		1428		
				16.5	.63	16.5	.65	16.5	.67	16.2	.69	15.9	.7	15.6	.72	15.4	.73	15.1	.74	14.8	.75	14.8	.74	15.0	.72	
180RH11D	1/2	1140	5372	2864		2762		2655		2537		2407		2261		2109		1944								
				13.7	.43	13.7	.44	13.5	.46	13.2	.47	12.7	.48	12.2	.49	11.6	.5	11.1	.51							
195RH10D	3/4	1075	5488	3522		3402		3274		3127		2964		2791		2604		2392								
				14.7	.57	14.7	.6	14.3	.62	13.9	.63	13.3	.65	12.6	.66	11.9	.67	11.2	.67							
195RH11D	3/4	1140	5820	3748		3637		3519		3388		3240		3083		2917		2738		2296						
				16.4	.67	16.4	.7	16.2	.73	15.7	.75	15.3	.76	14.4	.77	13.8	.79	13.1	.8	11.9	.79					

165-195 ACRUD-XP

Cat. Number	Mtr. HP	Fan RPM	Tip Speed	CFM at Static Pressure																					
				0.125" SP		0.250" SP		0.375" SP		0.500" SP		0.625" SP		0.750" SP		0.875" SP		1.000" SP		1.250" SP		1.500" SP		1.750" SP	
				Sone	BHP	Sone	BHP	Sone	BHP	Sone	BHP	Sone	BHP	Sone	BHP	Sone	BHP	Sone	BHP	Sone	BHP	Sone	BHP	Sone	BHP
165RX10D	1/6	1075	4644	884		833		784		718		648		550											
				7.4	.1	7.1	.1	6.8	.11	6.5	.12	6.3	.12	6.1	.12										
165RX11D	1/4	1140	4924	945		895		850		795		728		662		547									
				8.2	.11	7.9	.12	7.7	.13	7.4	.14	7.1	.14	6.9	.15	6.7	.15								
165RX13D	1/3*	1300	5616	1093		1045		1005		965		918		859		802		741		512					
				10.3	.16	10.1	.17	9.9	.18	9.6	.19	9.4	.2	9.1	.21	8.8	.21	8.7	.22	8.4	.21				
165RX15D	1550	6696	6696	1321		1278		1241		1207		1174		1139		1099		1051		954		839		635	
				13.9	.27	13.8	.28	13.6	.3	13.4	.31	13.2	.32	12.9	.33	12.7	.34	12.5	.35	12.0	.36	11.7	.37	11.4	.36
165RX17D	1/2	1725	7451	1480		1441		1404		1372		1342		1312		1282		1248		1166		1078		988	
				16.3	.37	16.1	.39	16.0	.4	15.8	.41	15.7	.43	15.5	.44	15.3	.45	15.0	.46	14.6	.48	14.2	.49	13.9	.51
180RX10D	1/3	1075	5066	1160		1102		1041		984		930		857		741		614							
				8.7	.14	8.4	.15	8.0	.16	7.8	.17	7.6	.17	7.6	.18	7.6	.19	7.7	.19						
180RX11D	1/4	1140	5372	1236		1182		1125		1069		1018		964		884		773							
				9.6	.16	9.3	.17	9.0	.19	8.7	.19	8.5	.2	8.4	.21	8.4	.22	8.5	.23						
180RX13D	1/2*	1300	6126	1423		1377		1329		1278		1229		1183		1139		1089		918		698			
				12.3	.24	12.0	.25	11.7	.26	11.3	.28	11.1	.29	10.9	.3	10.8	.31	10.7	.32	10.7	.34	11.0	.32		
180RX15D	1550	7304	7304	1713		1675		1636		1595		1553		1511		1470		1430		1356		1266		1112	
				16.9	.39	16.5	.41	16.2	.43	15.8	.44	15.5	.46	15.2	.47	15.0	.49	14.9	.5	14.7	.52	14.5	.54	14.6	.57
180RX17D	3/4	1725	8129	1914		1880		1846		1810															

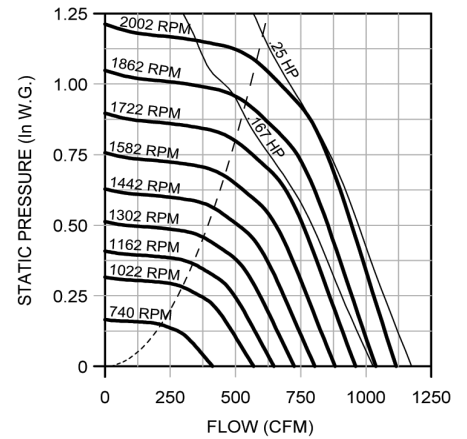
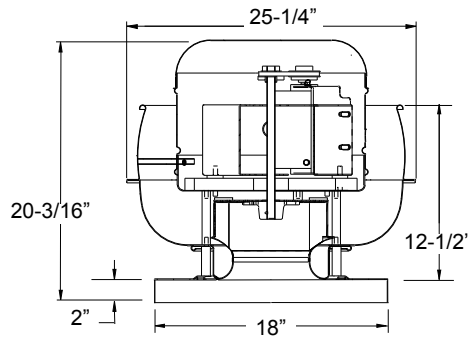
100, 120, 135 ACRUB / ACSC Data

100 ACRUB / ACSC

Wheel Diameter - 10"
Tip Speed (FPM) - 2.6 x RPM
Maximum RPM - 2002
Maximum BHP - .031 x (RPM/1000)³
Maximum Motor Frame - 48
Approx. Ship Wt. (Less Motor) - 30 lbs.
Roof Curb - RCG, RCA 16
Roof Opening - 13-1/2" Sq.

Material Gauges

Top Cap Lid - .050
Top Cap Cylinder - .040
Baffle - .080
Base - .063

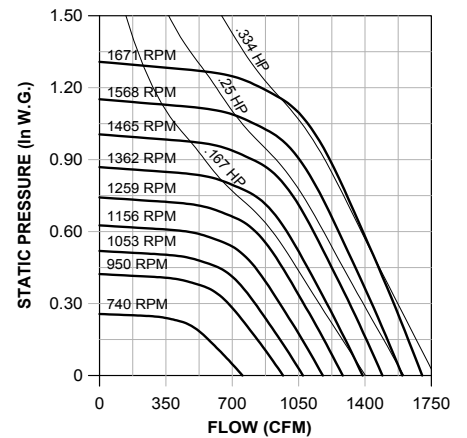
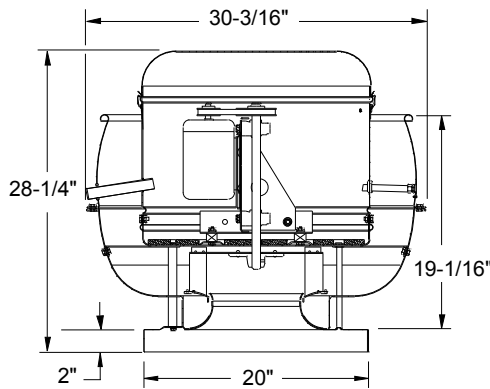


120 ACRUB / ACSC

Wheel Diameter - 12"
Tip Speed (FPM) - 3.1 x RPM
Maximum RPM - 1671
Maximum BHP - .072 x (RPM/1000)³
Maximum Motor Frame - 56
Approx. Ship Wt. (Less Motor) - 61 lbs.
Roof Curb - RCG, RCA-18
Roof Opening - 15-1/2 inches

Material Gauges

Top Cap Lid - .050
Top Cap Cylinder - .040
Baffle - .063
Base - .063

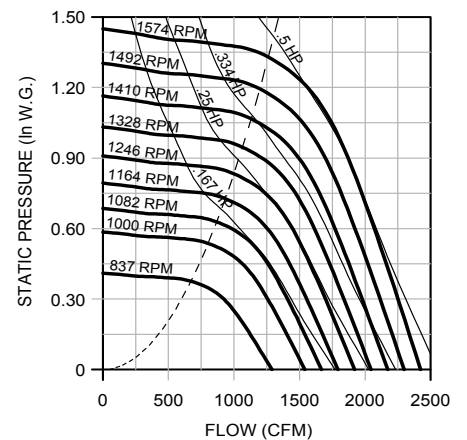
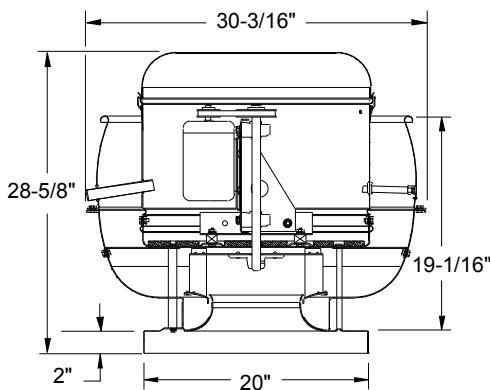


135 ACRUB / ACSC

Wheel Diameter - 13.5"
Tip Speed (FPM) - 3.5 x RPM
Maximum RPM - 1574
Maximum BHP - .13 x (RPM/1000)³
Maximum Motor Frame - 56
Approx. Ship Wt. (Less Motor) - 66 lbs.
Roof Curb - RCG, RCA - 18
Roof Opening - 15-1/2 inches

Material Gauges

Top Cap Lid - .050
Top Cap Cylinder - .040
Baffle - .063
Base - .063



Performance certified is for Installation Type A: free inlet, free outlet. Power rating (BHP) does not include transmission losses. Performance ratings do not include the effects of appurtenances (accessories). The sound ratings shown are loudness values in fan zones at 5 ft. (1.5m) in a hemispherical free field calculated per AMCA Standard 301. Values shown are for Installation Type A: free inlet hemispherical zone levels.

100 ACRUB / ACSC

Catalog Number	Mtr. HP/ Drv. Wt.	Fan RPM	Tip Speed	CFM at Static Pressure																						
				0.000" SP		0.125" SP		0.250" SP		0.375" SP		0.500" SP		0.625" SP		0.750" SP		0.875" SP		1.000" SP		1.250" SP		1.500" SP		
				Sone	BHP	Sone	BHP	Sone	BHP	Sone	BHP	Sone	BHP	Sone	BHP	Sone	BHP	Sone	BHP	Sone	BHP	Sone	BHP	Sone	BHP	
100R2B 100SC2B	1/6* 15 lbs.	740	1937	412		279																				
		940	2460	524		433																				
		1140	2984	635		560		479																		
				5.8 .04		5.7 .04		5.3 .05																		
		1340	3508	747		683		619		542																
				8.0 .06		7.9 .07		7.7 .07		7.3 .07																
1540	4031	858		802		747		690		619		469														
		9.8 .10		9.7 .10		9.6 .11		9.3 .11		8.9 .11		8.5 .10														
1742	4560	970		921		872		824		772		709		592												
		11.7 .14		11.6 .15		11.5 .15		11.4 .16		11.1 .16		10.7 .16		10.3 .16												
100R3B 100SC3B	1/4* 15 lbs.	1807	4730	1007		959		912		865		817		761		678		531								
		1872	4900	12.4 .16		12.3 .16		12.3 .17		12.2 .17		11.9 .18		11.5 .18		11.2 .18		10.9 .16								
				10.43		997		951		906		860		810		745		626								
		1937	5071	13.1 .17		13.1 .18		13.0 .19		12.9 .19		12.7 .19		12.4 .20		12.1 .20		11.8 .19								
1079				1035		991		947		903		856		801		714		576								
2002	5241	14.1 .19		14.0 .20		13.9 .21		13.8 .21		13.6 .21		13.2 .22		13.0 .22		12.77 .22		12.4 .20								
		1115		1072		1030		988		945		901		851		786		671								
				15.2 .21		15.1 .22		15.0 .23		14.9 .23		14.8 .24		14.4 .24		14.0 .25		13.6 .25		13.3 .24						

*1/6 & 1/4 HP motor available only in single phase ODP type.

120 ACRUB / ACSC

Catalog Number	Mtr. HP/ Drv. Wt.	Fan RPM	Tip Speed	CFM at Static Pressure																					
				0.000" SP		0.125" SP		0.250" SP		0.375" SP		0.500" SP		0.625" SP		0.750" SP		0.875" SP		1.000" SP		1.250" SP		1.500" SP	
				Sone	BHP	Sone	BHP	Sone	BHP	Sone	BHP	Sone	BHP	Sone	BHP	Sone	BHP	Sone	BHP	Sone	BHP	Sone	BHP	Sone	BHP
120R2B 120SC2B	1/6 15 lbs.	904	2840	921		803		673																	
		1037	3257	1056		955		845		722															
				7.0 .07		7.0 .08		6.5 .08		5.9 .08															
		1170	3675	1192		1103		1008		908		788													
9.2 .10				9.2 .11		8.9 .11		8.2 .12		7.6 .12															
1302	4090	1326		1247		1163		1075		983		871													
		11.4 .14		11.4 .15		11.1 .16		10.7 .16		10.0 .16		9.4 .16													
120R3B 120SC3B	1/4 15 lbs.	1367	4294	1393		1317		1238		1154		1069		975		832									
		1432	4498	12.2 .16		12.2 .17		12.0 .18		11.7 .18		11.0 .19		10.4 .19		10.0 .19									
				1459		1386		1312		1233		1152		1067		964		747							
1496	4699	13.1 .19		13.1 .20		12.9 .21		12.6 .21		12.0 .21		11.6 .22		11.3 .22		10.9 .20									
		1524		1455		1384		1309		1232		1153		1066		944									
120R4B 120SC4B	1/3 19 lbs.	1549	4866	1578		1511		1443		1371		1297		1222		1142		1045		869					
		1602	5032	14.9 .24		14.9 .25		14.9 .26		14.5 .26		14.2 .27		13.8 .27		13.5 .27		13.2 .28		12.9 .26					
				1632		1567		1502		1433		1361		1289		1214		1130		1015					
1655	5199	15.8 .26		15.8 .27		15.8 .28		15.5 .29		15.1 .30		14.8 .30		14.5 .30		14.2 .30		13.9 .30							
		1686		1623		1560		1494		1425		1355		1284		1208		1116							
				16.6 .29		16.6 .30		16.6 .31		16.3 .32		16.0 .32		15.6 .33		15.3 .33		15.0 .34		14.7 .34					

135 ACRUB / ACSC

Catalog Number	Mtr. HP/ Drv. Wt.	Fan RPM	Tip Speed	CFM at Static Pressure																					
				0.000" SP		0.125" SP		0.250" SP		0.375" SP		0.500" SP		0.625" SP		0.750" SP		0.875" SP		1.000" SP		1.250" SP		1.500" SP	
				Sone	BHP	Sone	BHP	Sone	BHP	Sone	BHP	Sone	BHP	Sone	BHP	Sone	BHP	Sone	BHP	Sone	BHP	Sone	BHP	Sone	BHP
135R2B 135SC2B	1/6 15 lbs.	837	2958	1289		1152		1001		676															
		957	3382	5.7 .06		5.6 .07		5.0 .08		4.4 .07															
				1474		1355		1230		1081															
1078	3809	7.6 .10		7.5 .11		7.1 .11		6.5 .11																	
		1660		1555		1447		1330		1184															
135R3B 135SC3B	1/4 15 lbs.	1132	4000	1744		1643		1541		1432		1308		1113											
		1186	4191	11.0 .16		11.0 .17		10.7 .18		10.1 .18		9.5 .19		8.9 .19											
				1827		1731		1634		1532		1420		1275		971									
1240	4382	12.2 .18		12.2 .20		12.0 .21		11.5 .21		10.8 .22		10.2 .22		9.7 .20											
		1910		1819		1726		1629		1527		1406		1219											
				13.5 .21		13.5 .22		13.3 .23		12.9 .24		12.2 .24		11.6 .25		11.0 .24									
135R4B 135SC4B	1/3 19 lbs.	1306	4615	2012		1925		1837		1747		1652		1548		1415		1182							
		1371	4845	14.7 .24		14.7 .26		14.6 .27		14.1 .28		13.6 .28		12.9 .29		12.4 .29		12.0 .28							
2112				2029		1946		1860		1772		1677		1569		1419		1130							
135R5B 135SC5B	1/2 23 lbs.	1473	5206	15.7 .28		15.7 .30		15.7 .31		15.3 .32		14.9 .33		14.2 .33		13.8 .33		13.5 .33		13.1 .30					
		1574	5562	2269		2192		2115		2036		1955		1871		1781		1677		1538					
17.4 .35				17.4 .37		17.4 .38		17.1 .40		16.8 .40		16.5 .41		16.1 .41		15.7 .41		15.4 .42							
				2424		2353		2280		2207		2132		2055		1975		1889		1791		1470			
				19.5 .43		19.5 .45		19.5 .46		19.3 .48		19.0 .49		18.7 .49		18.3 .50		18.0 .50		17.7 .51		17.1 .49			

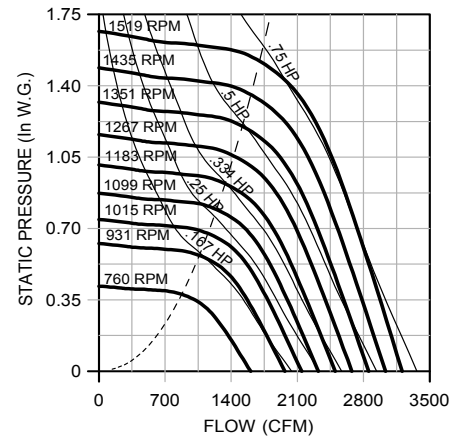
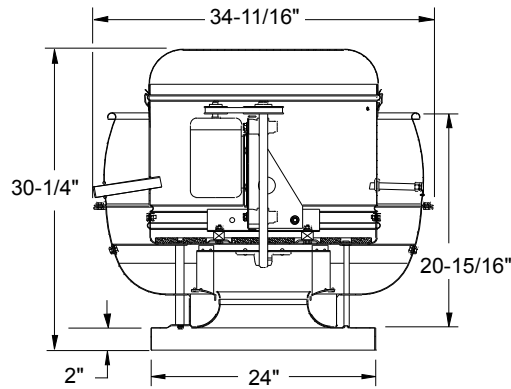
Performance certified is for Installation Type A: free inlet, free outlet. Power rating (BHP) does not include transmission losses. Performance ratings do not include the effects of appurtenances (accessories). The sound ratings shown are loudness values in fan sones at 5 ft. (1.5m) in a hemispherical free field calculated per AMCA Standard 301. Values shown are for Installation Type A: free inlet hemispherical sone levels.

150 ACRUB / ACSC

Wheel Diameter - 15"
Tip Speed (FPM) - 3.9 x RPM
Maximum RPM - 1520
Maximum BHP - .22 x (RPM/1000)³
Maximum Motor Frame - 56
Approx. Ship Wt. (Less Motor) - 77 lbs.
Roof Curb - RCG, RCA - 22
Roof Opening - 19-1/2 inches

Material Gauges

Top Cap Lid - .050
Top Cap Cylinder - .040
Baffle - .063
Base - .063

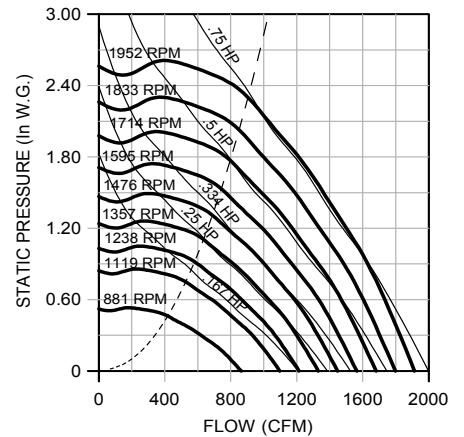
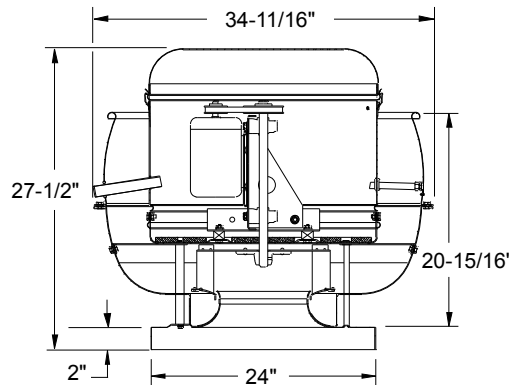


150 ACRUB-HP / ACSC-HP

Wheel Diameter - 15"
Tip Speed (FPM) - 3.9 x RPM
Maximum RPM - 1952
Maximum BHP - .10 x (RPM/1000)³
Maximum Motor Frame - 143T
Approx. Ship Wt. (Less Motor) - 77 lbs.
Roof Curb - RCG, RCA - 22
Roof Opening - 19-1/2 inches

Material Gauges

Top Cap Lid - .050
Top Cap Cylinder - .040
Baffle - .063
Base - .063



Performance certified is for Installation Type A: free inlet, free outlet. Power rating (BHP) does not include transmission losses. Performance ratings do not include the effects of appurtenances (accessories). The sound ratings shown are loudness values in fan sones at 5 ft. (1.5m) in a hemispherical free field calculated per AMCA Standard 301. Values shown are for Installation Type A: free inlet hemispherical sone levels.

150 ACRUB / ACSC

Catalog Number	Mtr. HP/ Drv. Wt.	Fan RPM	Tip Speed	CFM at Static Pressure																					
				0.000" SP		0.125" SP		0.250" SP		0.375" SP		0.500" SP		0.625" SP		0.750" SP		0.875" SP		1.000" SP		1.250" SP		1.500" SP	
				Sone	BHP	Sone	BHP	Sone	BHP	Sone	BHP	Sone	BHP	Sone	BHP	Sone	BHP	Sone	BHP	Sone	BHP	Sone	BHP	Sone	BHP
150R2B	1/6	760	2984	1606		1439		1254		889															
				6.0	.08	5.9	.09	5.3	.10	4.7	.09														
150SC2B	15 lbs.	832	3267	1758		1606		1444		1238															
				7.1	.11	7.0	.12	6.6	.12	5.9	.13														
		904	3550	1910		1770		1625		1462		1193													
				8.4	.14	8.4	.15	8.0	.16	7.4	.16	6.8	.16												
150R3B	1/4	972	3817	2054		1924		1790		1647		1468													
				9.7	.17	9.7	.19	9.4	.20	8.9	.20	8.3	.20												
150SC3B	15 lbs.	1040	4084	2198		2076		1952		1822		1677		1469											
				11.3	.21	11.3	.22	11.1	.24	10.5	.24	9.9	.25	9.4	.25										
150R4B	1/3	1149	4512	2428		2318		2207		2093		1971		1835		1648									
				14.1	.28	14.1	.30	14.0	.31	13.6	.32	13.0	.33	12.4	.33	11.8	.33								
150R5B	1/2	1235	4849	2610		2508		2405		2299		2190		2074		1940		1756							
				16.6	.35	16.6	.37	16.5	.39	16.1	.40	15.7	.40	15.0	.41	14.4	.41	13.8	.41						
150SC5B	23 lbs.	1320	5183	2789		2694		2598		2500		2400		2295		2183		2052		1877					
				18.4	.43	18.4	.45	18.4	.47	18.0	.48	17.6	.49	17.1	.50	16.5	.50	16.0	.51	15.7	.51				
150R6B	3/4	1420	5576	3001		2912		2823		2733		2641		2546		2447		2342		2221		1834			
				20	.53	20	.55	20	.58	20	.59	19.8	.61	19.4	.61	19.0	.62	18.6	.62	18.3	.63	17.6	.61		
150SC6B	31 lbs.	1519	5965	3210		3127		3044		2960		2875		2788		2698		2605		2506		2260			
				23	.65	23	.67	23	.70	23	.72	22	.73	22	.75	22	.75	21	.76	21	.76	20	.77		

150 ACRUB-HP / ACSC-HP

Catalog Number	Mtr. HP/ Drv. Wt.	Fan RPM	Tip Speed	CFM at Static Pressure																					
				0.250" SP		0.375" SP		0.500" SP		0.750" SP		1.000" SP		1.250" SP		1.500" SP		1.750" SP		2.000" SP		2.250" SP		2.500" SP	
				Sone	BHP	Sone	BHP	Sone	BHP	Sone	BHP	Sone	BHP	Sone	BHP	Sone	BHP	Sone	BHP	Sone	BHP	Sone	BHP	Sone	BHP
150RH2B	1/6	881	3459	672		536		339																	
				4.4	.07	4.1	.07	3.7	.06																
150SCH2B	15 lbs.	1162	4563	1012		932		835		606															
				7.4	.15	7.5	.16	7.6	.16	6.8	.16														
150RH3B	1/4	1249	4904	1108		1039		954		763		491													
				8.5	.19	8.6	.20	8.7	.20	8.2	.20	7.3	.18												
150SCH3B	15 lbs.	1336	5246	1202		1141		1069		899		689													
				9.6	.23	9.6	.24	9.8	.24	9.8	.25	8.7	.24												
150RH4B	1/3	1407	5525	1277		1221		1158		1000		818		587											
				10.6	.26	10.4	.27	10.6	.28	10.9	.29	10.0	.29	9.1	.27										
150SCH4B	19 lbs.	1478	5804	1352		1300		1242		1098		940		743											
				11.4	.30	11.3	.31	11.3	.32	11.6	.34	11.1	.33	10.2	.33										
150RH5B	1/2	1587	6232	1466		1419		1368		1245		1102		940		753									
				12.9	.37	12.8	.38	12.8	.39	12.8	.41	12.9	.42	12.0	.41	11.3	.40								
150SCH5B	23 lbs.	1696	6660	1579		1536		1489		1384		1253		1118		952		775							
				14.4	.45	14.4	.46	14.3	.47	14.3	.49	14.2	.51	13.9	.50	13.2	.50	12.6	.48						
150RH6B	3/4	1824	7162	1711		1671		1629		1538		1427		1301		1174		1014		852					
				16.2	.56	16.2	.57	16.2	.58	16.2	.60	16.2	.62	16.1	.63	15.6	.63	15.1	.62	14.7	.60				
150SCH6B	31 lbs.	1952	7665	1842		1805		1766		1685		1591		1477		1361		1239		1087		938			
				18.5	.68	18.5	.69	18.5	.71	18.4	.73	18.3	.75	18.3	.77	18.3	.77	17.8	.77	17.4	.76	17.1	.74		

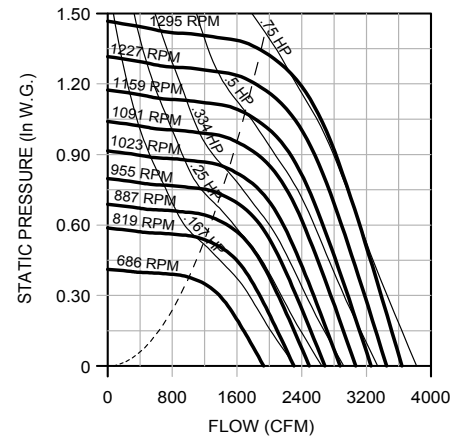
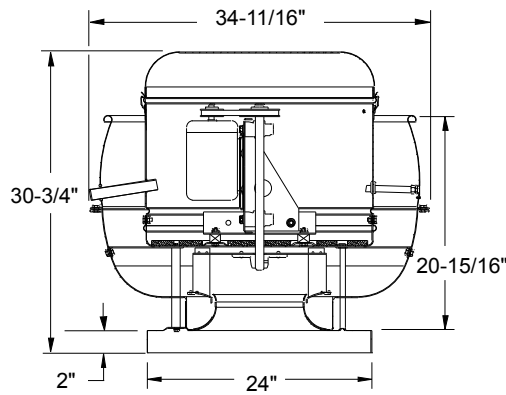
Performance certified is for Installation Type A: free inlet, free outlet. Power rating (BHP) does not include transmission losses. Performance ratings do not include the effects of appurtenances (accessories). The sound ratings shown are loudness values in fan sones at 5 ft. (1.5m) in a hemispherical free field calculated per AMCA Standard 301. Values shown are for Installation Type A: free inlet hemispherical sone levels.

165 ACRUB / ACSC

Wheel Diameter - 16.5 inches
Tip Speed (FPM) - 4.3 x RPM
Maximum RPM - 1295
Maximum BHP - .35 x (RPM/1000)³
Maximum Motor Frame - 56
Approx. Ship Wt. (Less Motor) - 83 lbs.
Roof Curb - RCG, RCA - 22
Roof Opening - 19-1/2 inches

Material Gauges

Top Cap Lid - .050
Top Cap Cylinder - .040
Baffle - .063
Base - .063

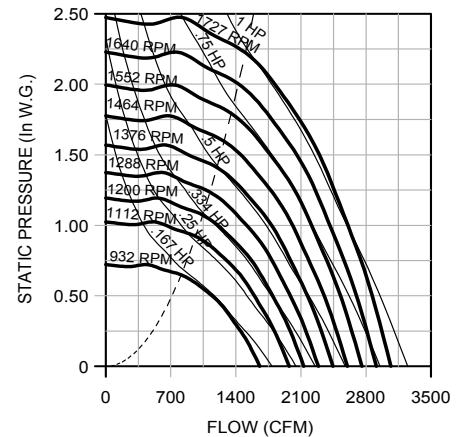
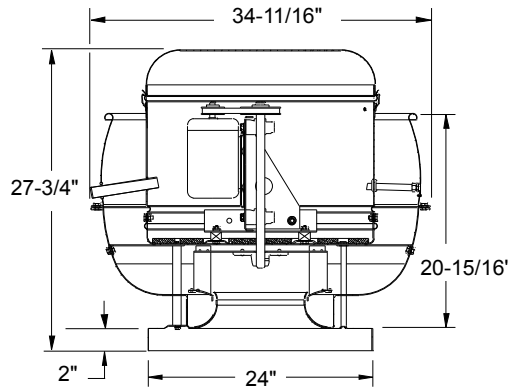


165 ACRUB-HP / ACSC-HP

Wheel Diameter - 16.5 inches
Tip Speed (FPM) - 4.3 x RPM
Maximum RPM - 1728
Maximum BHP - .20 x (RPM/1000)³
Maximum Motor Frame - 143T
Approx. Ship Wt. (Less Motor) - 83 lbs.
Roof Curb - RCG, RCA - 22
Roof Opening - 19-1/2 inches

Material Gauges

Top Cap Lid - .050
Top Cap Cylinder - .040
Baffle - .063
Base - .063

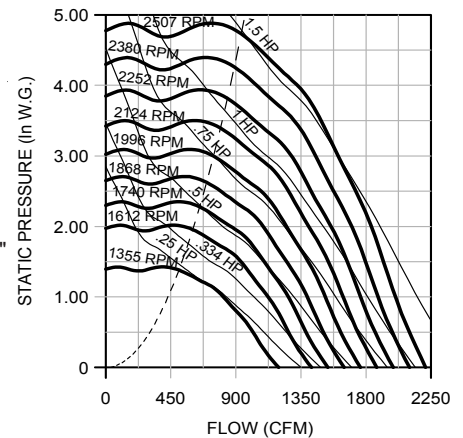
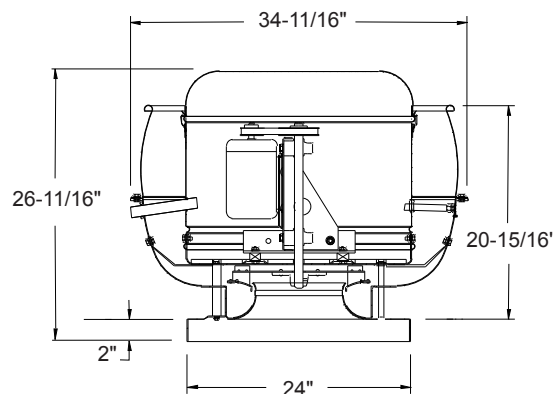


165 ACRUB-XP / ACSC-XP

Wheel Diameter - 16.5 inches
Tip Speed (FPM) - 4.3 x RPM
Maximum RPM - 2508
Maximum BHP - .19 x (RPM/1000)³
Maximum Motor Frame - 143T
Approx. Ship Wt. (Less Motor) - 83 lbs.
Roof Curb - RCG, RCA - 22
Roof Opening - 19-1/2 inches

Material Gauges

Top Cap Lid - .050
Top Cap Cylinder - .040
Baffle - .063
Base - .063



Performance certified is for Installation Type A: free inlet, free outlet. Power rating (BHP) does not include transmission losses. Performance ratings do not include the effects of appurtenances (accessories). The sound ratings shown are loudness values in fan sones at 5 ft. (1.5m) in a hemispherical free field calculated per AMCA Standard 301. Values shown are for Installation Type A: free inlet hemispherical sone levels.

Data ACRUB / ACSC / ACRUB-HP / ACSC-HP / ACRUB-XP / ACSC-XP 165

165 ACRUB / ACSC

Catalog Number	Mtr. HP/ Drv. Wt.	Fan RPM	Tip Speed	CFM at Static Pressure																					
				0.000" SP		0.125" SP		0.250" SP		0.375" SP		0.500" SP		0.625" SP		0.750" SP		0.875" SP		1.000" SP		1.250" SP		1.500" SP	
				Sone	BHP	Sone	BHP	Sone	BHP	Sone	BHP	Sone	BHP	Sone	BHP	Sone	BHP	Sone	BHP	Sone	BHP	Sone	BHP	Sone	BHP
165R2B	1/6	686	2963	1929		1725		1500		1024															
				6.3	.10	6.2	.11	5.5	.11	4.8	.10														
165SC2B	15 lbs.	771	3330	2168		1988		1797		1564															
				7.6	.14	7.6	.15	7.1	.16	6.4	.16														
165R3B	1/4	829	3581	2331		2164		1990		1796		1492													
				8.7	.17	8.7	.19	8.3	.20	7.7	.20	7.1	.20												
165SC3B	15 lbs.	887	3831	2494		2338		2177		2004		1792		1337											
				10.0	.21	10.0	.23	9.6	.24	9.1	.24	8.5	.25	7.9	.22										
165R4B	1/3	933	4030	2624		2475		2323		2163		1981		1706											
				11.1	.24	11.1	.26	10.8	.28	10.3	.28	9.7	.29	9.1	.29										
165SC4B	19 lbs.	980	4233	2756		2615		2471		2320		2157		1950		1550									
				12.3	.28	12.3	.30	12.1	.32	11.7	.33	11.0	.33	10.4	.33	9.9	.31								
165R5B	1/2	1052	4544	2958		2827		2694		2556		2411		2249		2033		1608							
				14.3	.35	14.3	.37	14.1	.39	13.7	.40	13.2	.41	12.6	.41	12.1	.41	11.6	.38						
165SC5B	23 lbs.	1125	4859	3164		3041		2917		2790		2657		2517		2356		2138		1723					
				16.4	.43	16.4	.45	16.4	.47	16.0	.49	15.5	.49	14.9	.50	14.4	.50	13.9	.51	13.5	.46				
165R6B	3/4	1210	5226	3403		3289		3174		3057		2936		2811		2677		2525		2323					
				19.2	.53	19.2	.56	19.2	.58	18.8	.60	18.5	.61	17.9	.62	17.2	.62	16.6	.63	16.2	.63				
165SC6B	31 lbs.	1295	5594	3642		3535		3428		3319		3208		3094		2975		2848		2705		2251			
				22	.65	22	.68	22	.70	21	.72	21	.74	21	.75	20	.76	19.4	.76	18.9	.77	18.1	.75		

165 ACRUB-HP / ACSC-HP

Catalog Number	Mtr. HP/ Drv. Wt.	Fan RPM	Tip Speed	CFM at Static Pressure																					
				0.250" SP		0.375" SP		0.500" SP		0.750" SP		1.000" SP		1.250" SP		1.500" SP		1.750" SP		2.000" SP		2.250" SP		2.500" SP	
				Sone	BHP	Sone	BHP	Sone	BHP	Sone	BHP	Sone	BHP	Sone	BHP	Sone	BHP	Sone	BHP	Sone	BHP	Sone	BHP	Sone	BHP
165RH2B	1/6	932	4025	1450		1314		1141																	
				6.7	.16	6.5	.16	6.2	.16																
165SCH2B	15 lbs.	1072	4630	1736		1626		1507		1165															
				8.7	.23	8.4	.24	8.3	.25	8.0	.24														
165RH4B	1/3	1128	4872	1846		1747		1635		1355															
				9.5	.26	9.3	.28	9.1	.29	8.8	.29														
165SCH4B	19 lbs.	1185	5118	1957		1866		1762		1527		1142													
				10.5	.30	10.2	.32	9.9	.33	9.7	.34	9.8	.32												
165RH5B	1/2	1273	5498	2125		2046		1954		1752		1466													
				12.1	.37	11.8	.39	11.5	.40	11.1	.41	11.2	.41												
165SCH5B	23 lbs.	1361	5879	2291		2221		2140		1956		1742		1421											
				13.5	.45	13.3	.46	13.0	.48	12.4	.50	12.3	.51	12.4	.50										
165RH6B	3/4	1463	6319	2482		2419		2349		2184		2007		1771		1448									
				15.1	.55	14.9	.57	14.7	.59	14.1	.61	13.7	.63	13.7	.63	13.8	.61								
165SCH6B	31 lbs.	1566	6764	2673		2615		2553		2408		2246		2069		1819		1503							
				16.8	.67	16.8	.69	16.5	.71	15.9	.74	15.4	.76	15.0	.77	15.1	.76	15.2	.75						
165RH7B	1	1646	7110	2820		2767		2709		2577		2426		2268		2074		1809		1467					
				18.2	.77	18.2	.79	18.0	.81	17.4	.85	16.9	.88	16.4	.90	16.2	.90	16.1	.88	16.2	.85				
165SCH7B	36 lbs.	1727	7460	2969		2918		2865		2745		2604		2457		2297		2082		1817					
				19.6	.89	19.6	.91	19.5	.93	19.0	.97	18.5	1.01	18.1	1.03	17.8	1.04	17.6	1.03	17.4	1.02				

165 ACRUB-XP / ACSC-XP

Catalog Number	Mtr. HP/ Drv. Wt.	Fan RPM	Tip Speed	CFM at Static Pressure																					
				1.000" SP		1.250" SP		1.500" SP		1.750" SP		2.000" SP		2.250" SP		2.500" SP		3.000" SP		3.500" SP		4.000" SP		4.500" SP	
				Sone	BHP	Sone	BHP	Sone	BHP	Sone	BHP	Sone	BHP	Sone	BHP	Sone	BHP	Sone	BHP	Sone	BHP	Sone	BHP	Sone	BHP
165RX3B	1/4	1355	5853	814		637																			
				9.4	.24	9.1	.25																		
165SCX3B	15 lbs.	1498	6470	988		889		728																	
				11.7	.32	11.3	.33	10.9	.33																
165RX4B	1/3	1609	6950	1121		1025		931		766		519													
				13.3	.38	12.9	.40	12.5	.41	12.3	.41	12.0	.37												
165SCX4B	19 lbs.	1720	7429	1243		1160		1072		981		818		614											
				15.0	.46	14.5	.48	14.1	.49	13.9	.50	13.7	.50	13.5	.47										
165RX5B	1/2	1850	7991	1376		1310		1229		1148		1065		926		753									
				16.9	.56	16.5	.58	16.1	.59	15.7	.61	15.5	.62	15.3	.63	15.2	.61								
165SCX5B	23 lbs.	1979	8548	1503		1448		1382		1304		1229		1152		1040		681							
				19.1	.67	18.6	.69	18.1	.71	17.8	.73	17.4	.74	17.2	.76	17.1	.77	16.9	.71						
165RX6B	3/4	2081	8989	1601		1551		1495		1427		1352		1281		1207		947							
				21	.76	20	.79	20	.82	19.6	.84	19.1	.85	18.7	.87	18.6	.88	18.5	.89						
165SCX6B	31 lbs.	2183	9129	1698		1651		1602		1544		1476		1405		1338		1170		876					
				23	.86	22	.90	22	.93	21	.95	21	.97	21	.99	20	.99	20	1.00	20	1.04	19.9	.99		
165RX7B	1	2345	10129	1851		1807		1764		1717		1663		1601		1534		1408		1238		964			
				26	1.05	25	1.09	25	1.12	25	1.15	24	1.18	24	1.20	23	1.22	23	1.25	22	1.29	22	1.24		
165SCX7B	38 lbs.	2507	10829	2003		1961		1921		1880		1836		1786		1729		1606		1488		1324			
				29	1.26	29	1.30	28	1.34	28	1.37	27	1.41	27	1.44	27	1.46	26	1.50	25	1.54	25	1.57	25	1.53

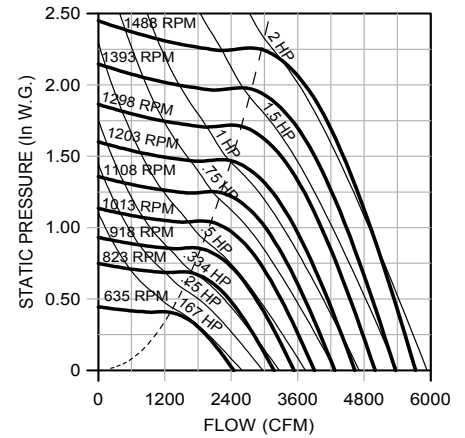
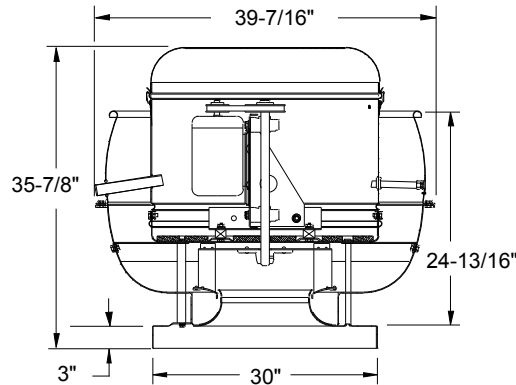
Performance certified is for Installation Type A: free inlet, free outlet. Power rating (BHP) does not include transmission losses. Performance ratings do not include the effects of appurtenances (accessories). The sound ratings shown are loudness values in fan sones at 5 ft. (1.5m) in a hemispherical free field calculated per AMCA Standard 301. Values shown are for Installation Type A: free inlet hemispherical sone levels.

180 ACRUB / ACSC

Wheel Diameter - 18 inches
Tip Speed (FPM) - 4.7 x RPM
Maximum RPM - 1546
Maximum BHP - .57 x (RPM/1000)³
Maximum Motor Frame - 145T
Approx. Ship Wt. (Less Motor) - 100 lbs.
Roof Curb - RCG, RCA - 28
Roof Opening - 25-1/2 inches

Material Gauges

Top Cap Lid - .050
Top Cap Cylinder - .040
Baffle - .080
Base - .080

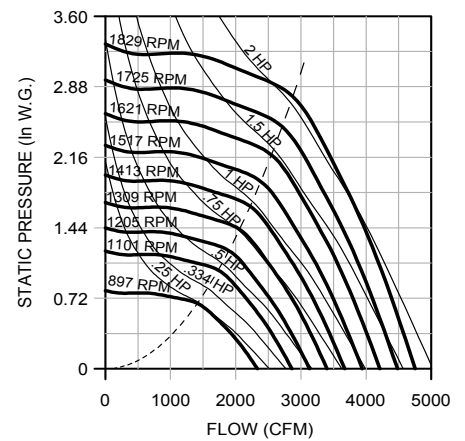
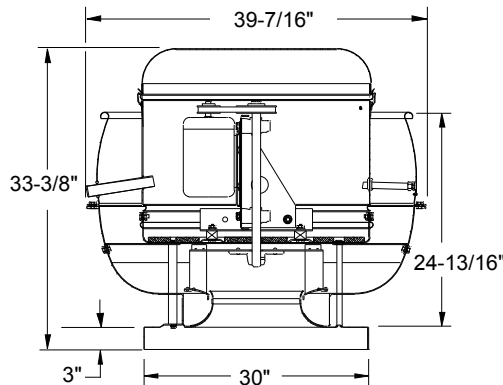


180 ACRUB-HP / ACSC-HP

Wheel Diameter - 18 inches
Tip Speed (FPM) - 4.7 x RPM
Maximum RPM - 1829
Maximum BHP - .31 x (RPM/1000)³
Maximum Motor Frame - 145T
Approx. Ship Wt. (Less Motor) - 100 lbs.
Roof Curb - RCG, RCA - 28
Roof Opening - 25-1/2 inches

Material Gauges

Top Cap Lid - .050
Top Cap Cylinder - .040
Baffle - .080
Base - .080

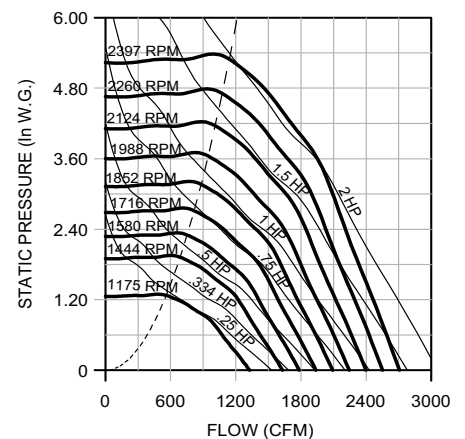
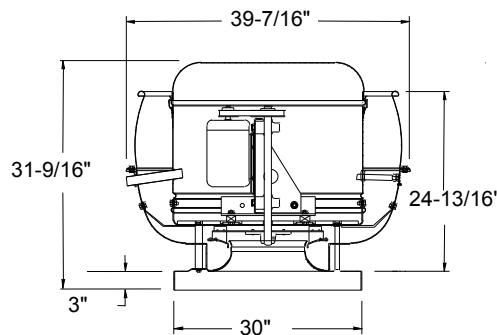


180 ACRUB-XP / ACSC-XP

Wheel Diameter - 18 inches
Tip Speed (FPM) - 4.7 x RPM
Maximum RPM - 2396
Maximum BHP - .15 x (RPM/1000)³
Maximum Motor Frame - 145T
Approx. Ship Wt. (Less Motor) - 100 lbs.
Roof Curb - RCG, RCA - 28
Roof Opening - 25-1/2 inches

Material Gauges

Top Cap Lid - .050
Top Cap Cylinder - .040
Baffle - .080
Base - .080



Performance certified is for Installation Type A: free inlet, free outlet. Power rating (BHP) does not include transmission losses. Performance ratings do not include the effects of appurtenances (accessories). The sound ratings shown are loudness values in fan sones at 5 ft. (1.5m) in a hemispherical free field calculated per AMCA Standard 301. Values shown are for Installation Type A: free inlet hemispherical sone levels.

180 ACRUB / ACSC

Catalog Number	Mtr. HP/ Drv. Wt.	Fan RPM	Tip Speed	CFM at Static Pressure																					
				0.000" SP		0.125" SP		0.250" SP		0.375" SP		0.500" SP		0.625" SP		0.750" SP		0.875" SP		1.000" SP		1.250" SP		1.500" SP	
				Sone	BHP	Sone	BHP	Sone	BHP	Sone	BHP	Sone	BHP	Sone	BHP	Sone	BHP	Sone	BHP	Sone	BHP	Sone	BHP	Sone	BHP
180R2B 180SC2B	1/6 15 lbs.	635	2992	2446		2214		1945		1541															
180R3B 180SC3B	1/4 15 lbs.	730	3440	2812		2612		2395		2138		1751													
180R4B 180SC4B	1/3 19 lbs.	807	3802	3109		2928		2738		2526		2272		1872											
180R5B 180SC5B	1/2 23 lbs.	927	4368	3571		3414		3253		3082		2893		2677		2401									
180R6B 180SC6B	3/4 31 lbs.	1066	5023	4106		3970		3832		3690		3539		3376		3199		2997		2741					
180R7B 180SC7B	1 36 lbs.	1176	5541	4530		4407		4283		4155		4023		3885		3738		3579		3405		2948			
180R8B 180SC8B	1-1/2 38 lbs.	1264 1351	5956 6366	4869		4755		4639		4522		4402		4277		4146		4007		3860		3523			
180R9B 180SC9B	2 50 lbs.	1419 1488	6686 7012	5466		5364		5262		5158		5053		4946		4835		4721		4601		4345			
				24		24		24		24		24		23		23		22		22		21			
				1.80		1.83		1.86		1.89		1.92		1.95		1.98		2.00		2.02		2.08			

180 ACRUB-HP / ACSC-HP

Catalog Number	Mtr. HP/ Drv. Wt.	Fan RPM	Tip Speed	CFM at Static Pressure																					
				0.250" SP		0.375" SP		0.500" SP		0.750" SP		1.000" SP		1.250" SP		1.500" SP		1.750" SP		2.000" SP		2.250" SP		2.500" SP	
				Sone	BHP	Sone	BHP	Sone	BHP	Sone	BHP	Sone	BHP	Sone	BHP	Sone	BHP	Sone	BHP	Sone	BHP	Sone	BHP	Sone	BHP
180RH3B 180SCH3B	1/4 15 lbs.	897	4227	2068		1910		1724																	
180RH4B 180SCH4B	1/3 19 lbs.	992	4674	2344		2212		2060		1704															
180RH5B 180SCH5B	1/2 23 lbs.	1139	5367	2759		2652		2534		2258		1939													
180RH6B 180SCH6B	3/4 31 lbs.	1225 1311	5772 6177	2998		2900		2796		2557		2278													
180RH7B 180SCH7B	1 36 lbs.	1446	6814	3602		3521		3438		3260		3057		2827		2583									
180RH8B 180SCH8B	1-1/2 38 lbs.	1553 1660	7318 7822	3891		3817		3741		3580		3403		3204		2984		2756							
180RH9B 180SCH9B	2 50 lbs.	1744 1829	8218 8618	4403		4338		4271		4134		3988		3829		3655		3464		3264		3057			
				27		27		27		27		26		25		25		24		23		22			
				1.52		1.55		1.57		1.62		1.66		1.69		1.72		1.76		1.80		1.82			
				29		29		29		29		28		28		27		26		26		24			
				1.75		1.78		1.80		1.86		1.90		1.93		1.96		2.00		2.05		2.08			

180 ACRUB-XP / ACSC-XP

Catalog Number	Mtr. HP/ Drv. Wt.	Fan RPM	Tip Speed	CFM at Static Pressure																					
				1.000" SP		1.250" SP		1.500" SP		1.750" SP		2.000" SP		2.250" SP		2.500" SP		3.000" SP		3.500" SP		4.000" SP		4.500" SP	
				Sone	BHP	Sone	BHP	Sone	BHP	Sone	BHP	Sone	BHP	Sone	BHP	Sone	BHP	Sone	BHP	Sone	BHP	Sone	BHP	Sone	BHP
180RX3B 180SCX3B	1/4 15 lbs.	1175	5537	848		595																			
180RX4B 180SCX4B	1/3 19 lbs.	1300	6126	1089		918		698																	
180RX5B 180SCX5B	1/2 23 lbs.	1492	7030	1354		1274		1156		988		774													
180RX6B 180SCX6B	3/4 31 lbs.	1717	8091	1650		1578		1511		1436		1322		1174		1022									
180RX7B 180SCX7B	1 36 lbs.	1805 1894	8505 8925	1764		1694		1629		1564		1486		1368		1227									
180RX8B 180SCX8B	1-1/2 38 lbs.	2034 2175	9585 10249	2058		1993		1930		1871		1814		1756		1688		1466		1216					
180RX9B 180SCX9B	2 50 lbs.	2286 2397	10772 11295	2372		2316		2258		2201		2146		2094		2044		1938		1780		1558			
				28		28		28		28		28		28		28		28		28		29			
				1.40		1.45		1.49		1.53		1.57		1.60		1.64		1.70		1.78		1.82			
				31		30		30		30		30		30		30		30		30		31			
				1.60		1.65		1.69		1.74		1.78		1.82		1.85		1.92		1.99		2.08			

Performance certified is for Installation Type A: free inlet, free outlet. Power rating (BHP) does not include transmission losses. Performance ratings do not include the effects of appurtenances (accessories). The sound ratings shown are loudness values in fan sones at 5 ft. (1.5m) in a hemispherical free field calculated per AMCA Standard 301. Values shown are for Installation Type A: free inlet hemispherical sone levels.

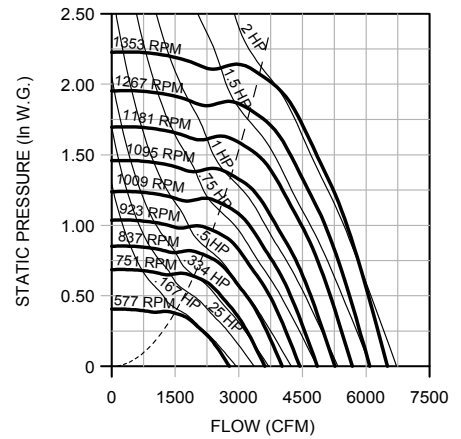
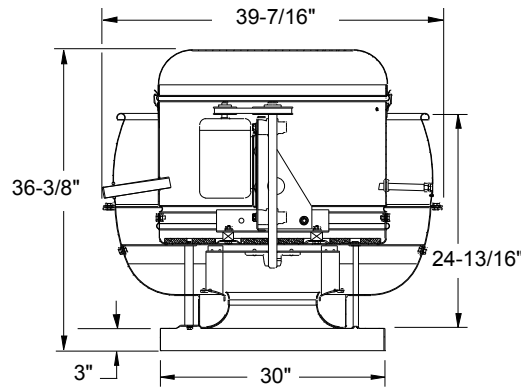
195 ACRUB / ACSC / ACRUB-HP / ACSC-HP Data

195 ACRUB / ACSC

Wheel Diameter - 19.5 inches
Tip Speed (FPM) - 5.1 x RPM
Maximum RPM - 1353
Maximum BHP - .85 x (RPM/1000)³
Maximum Motor Frame - 145T
Approx. Ship Wt. (Less Motor) - 110 lbs.
Roof Curb - RCG, RCA - 28
Roof Opening - 25-1/2 inches

Material Gauges

Top Cap Lid - .050
Top Cap Cylinder - .040
Baffle - .080
Base - .080

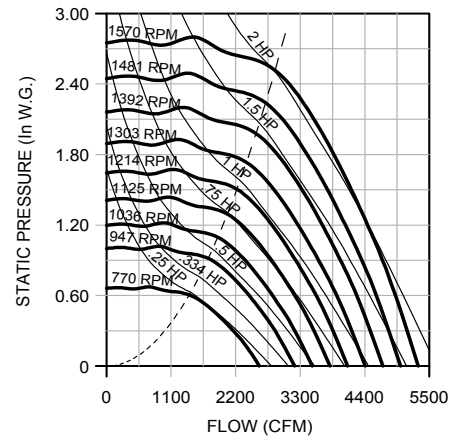
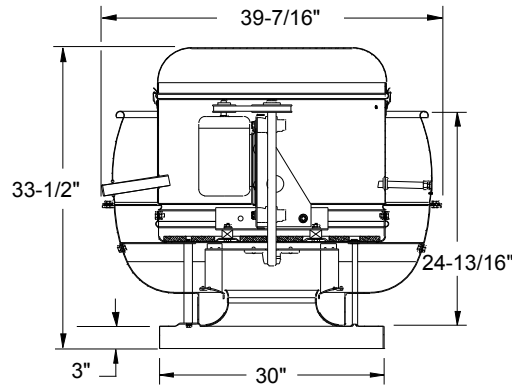


195 ACRUB-HP / ACSC-HP

Wheel Diameter - 19.5 inches
Tip Speed (FPM) - 5.1 x RPM
Maximum RPM - 1570
Maximum BHP - .54 x (RPM/1000)³
Maximum Motor Frame - 145T
Approx. Ship Wt. (Less Motor) - 110 lbs.
Roof Curb - RCG, RCA - 28
Roof Opening - 25-1/2 inches

Material Gauges

Top Cap Lid - .050
Top Cap Cylinder - .040
Baffle - .080
Base - .080

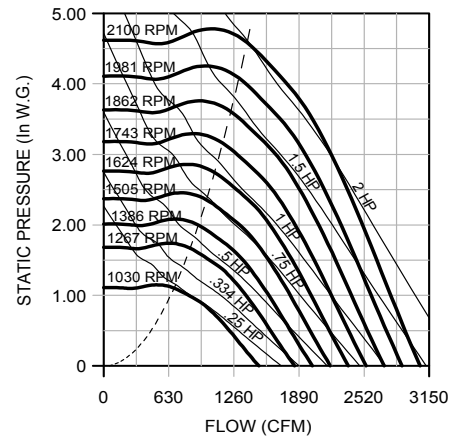
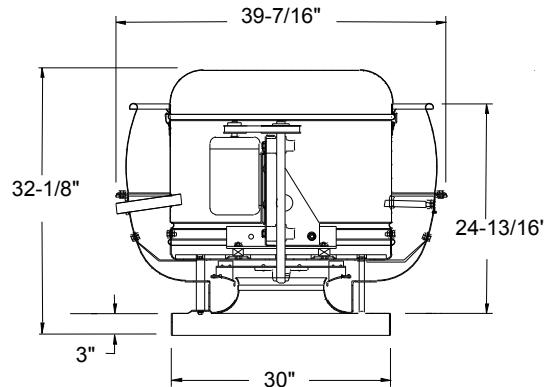


195 ACRUB-XP / ACSC-XP

Wheel Diameter - 19.5 inches
Tip Speed (FPM) - 5.1 x RPM
Maximum RPM - 2100
Maximum BHP - .23 x (RPM/1000)³
Maximum Motor Frame - 145T
Approx. Ship Wt. (Less Motor) - 110 lbs.
Roof Curb - RCG, RCA - 28
Roof Opening - 25-1/2 inches

Material Gauges

Top Cap Lid - .050
Top Cap Cylinder - .040
Baffle - .080
Base - .080



Performance certified is for Installation Type A: free inlet, free outlet. Power rating (BHP) does not include transmission losses. Performance ratings do not include the effects of appurtenances (accessories). The sound ratings shown are loudness values in fan sones at 5 ft. (1.5m) in a hemispherical free field calculated per AMCA Standard 301. Values shown are for Installation Type A: free inlet hemispherical sone levels.

195 ACRUB / ACSC

Catalog Number	Mtr. HP/ Drv. Wt.	Fan RPM	Tip Speed	CFM at Static Pressure																					
				0.000" SP		.125" SP		0.250" SP		0.375" SP		0.500" SP		0.625" SP		0.750" SP		0.875" SP		1.000" SP		1.250" SP		1.500" SP	
				Sone	BHP	Sone	BHP	Sone	BHP	Sone	BHP	Sone	BHP	Sone	BHP	Sone	BHP	Sone	BHP	Sone	BHP	Sone	BHP	Sone	BHP
195R2B 195SC2B	1/6 15 lbs.	577	2945	2774	2506	2147	1510																		
195R3B 195SC3B	1/4 15 lbs.	664	3389	3192	2963	2702	2329																		
195R4B 195SC4B	1/3 19 lbs.	734	3747	3528	3323	3100	2816	2454																	
195R5B 195SC5B	1/2 23 lbs.	842	4298	4047	3869	3683	3476	3214	2899	2513															
195R6B 195SC6B	3/4 31 lbs.	969	4946	4658	4504	4345	4178	3995	3776	3505	3231	2865													
195R7B 195SC7B	1 36 lbs.	1069	5457	5139	4999	4857	4710	4554	4384	4184	3943	3695	3009												
195R8B 195SC8B	1-1/2 38 lbs.	1149 1228	5865 6269	5523 5903	5393 5781	5262 5659	5127 5534	4986 5405	4837 5270	4674 5127	4484 4970	4259 4791	3792 3912												
195R9B 195SC9B	2 50 lbs.	1290 1353	6585 6907	6201 6504	6085 6394	5969 6283	5851 6170	5729 6056	5604 5938	5472 5816	5332 5687	5178 5550	4799 5226	4386 4834											

195 ACRUB-HP / ACSC-HP

Catalog Number	Mtr. HP/ Drv. Wt.	Fan RPM	Tip Speed	CFM at Static Pressure																					
				0.250" SP		0.375" SP		0.500" SP		0.750" SP		1.000" SP		1.250" SP		1.500" SP		1.750" SP		2.000" SP		2.250" SP		2.500" SP	
				Sone	BHP	Sone	BHP	Sone	BHP	Sone	BHP	Sone	BHP	Sone	BHP	Sone	BHP	Sone	BHP	Sone	BHP	Sone	BHP	Sone	BHP
195RH3B 195SCH3B	1/4 15 lbs.	770	3930	2251	2019	1747																			
195RH4B 195SCH4B	1/3 19 lbs.	851	4344	2571	2374	2155																			
195RH5B 195SCH5B	1/2 23 lbs.	977	4987	3044	2893	2718	2318																		
195RH6B 195SCH6B	3/4 31 lbs.	1051 1124	5365 5738	3315 3579	3182 3459	3029 3324	2680 3012	2254 2656	2179																
195RH7B 195SCH7B	1 36 lbs.	1240	6330	3994	3888	3775	3513	3217	2883	2453															
195RH8B 195SCH8B	1-1/2 38 lbs.	1332 1424	6799 7269	4319	4223	4121	3892	3629	3342	3016	2594														
195RH9B 195SCH9B	2 50 lbs.	1497 1570	7642 8015	4899	4814	4727	4541	4327	4091	3840	3565	3250	2832												

195 ACRUB-XP / ACSC-XP

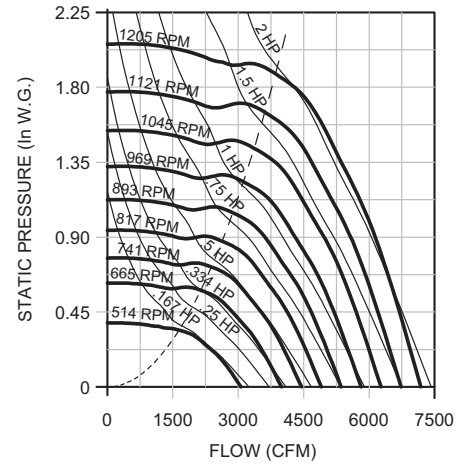
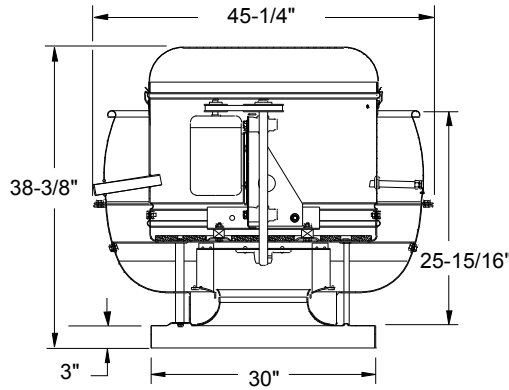
Catalog Number	Mtr. HP/ Drv. Wt.	Fan RPM	Tip Speed	CFM at Static Pressure																					
				1.000" SP		1.250" SP		1.500" SP		1.750" SP		2.000" SP		2.250" SP		2.500" SP		3.000" SP		3.500" SP		4.000" SP		4.500" SP	
				Sone	BHP	Sone	BHP	Sone	BHP	Sone	BHP	Sone	BHP	Sone	BHP	Sone	BHP	Sone	BHP	Sone	BHP	Sone	BHP	Sone	BHP
195RX3B 195SCX3B	1/4 15 lbs.	1030	5258	823																					
195RX4B 195SCX4B	1/3 19 lbs.	1139	5814	1117	879																				
195RX5B 195SCX5B	1/2 23 lbs.	1308	6677	1455	1324	1153	901																		
195RX6B 195SCX6B	3/4 31 lbs.	1505	7683	1806	1706	1596	1474	1315	1102																
195RX7B 195SCX7B	1 36 lbs.	1583 1660	8081 8474	1939	1846	1747	1639	1517	1356	1150															
195RX8B 195SCX8B	1-1/2 38 lbs.	1783 1906	9102 9730	2270	2190	2108	2022	1931	1834	1726	1423														
195RX9B 195SCX9B	2 50 lbs.	2003 2100	10225 10720	2624	2553	2482	2410	2336	2259	2177	2001	1775	1456												

Performance certified is for Installation Type A: free inlet, free outlet. Power rating (BHP) does not include transmission losses. Performance ratings do not include the effects of appurtenances (accessories). The sound ratings shown are loudness values in fan sones at 5 ft. (1.5m) in a hemispherical free field calculated per AMCA Standard 301. Values shown are for Installation Type A: free inlet hemispherical sone levels.

210 ACRUB / ACSC

Wheel Diameter - 21 inches
Tip Speed (FPM) - 5.5 x RPM
Maximum RPM - 1205
Maximum BHP - 1.2 x (RPM/1000)³
Maximum Motor Frame - 182T
Approx. Ship Wt. (Less Motor) - 220 lbs.
Roof Curb - RCG, RCA - 28
Roof Opening - 25-1/2 inches

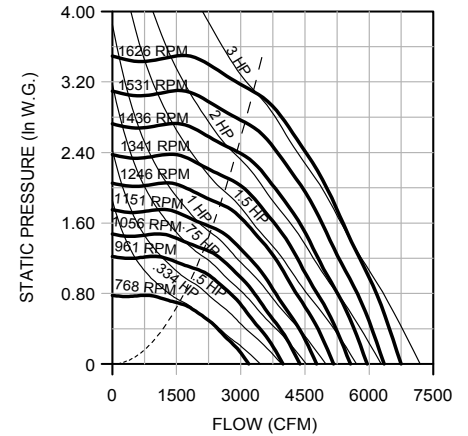
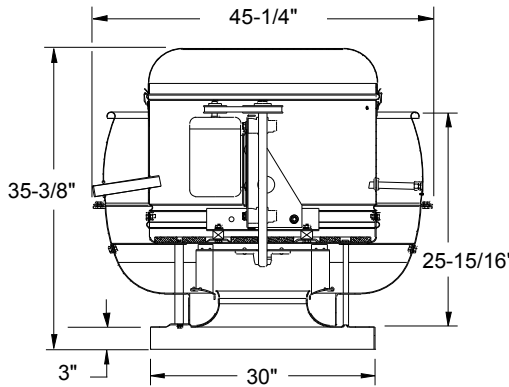
Material Gauges
Top Cap Lid - .063
Top Cap Cylinder - .040
Baffle - .080
Base - .080



210 ACRUB-HP / ACSC-HP

Wheel Diameter - 21 inches
Tip Speed (FPM) - 5.5 x RPM
Maximum RPM - 1626
Maximum BHP - .74 x (RPM/1000)³
Maximum Motor Frame - 182T
Approx. Ship Wt. (Less Motor) - 220 lbs.
Roof Curb - RCG, RCA - 28
Roof Opening - 25-1/2 inches

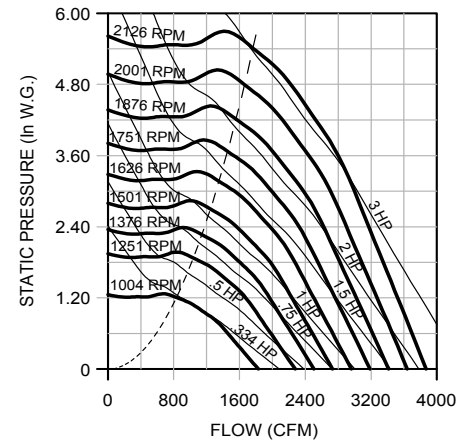
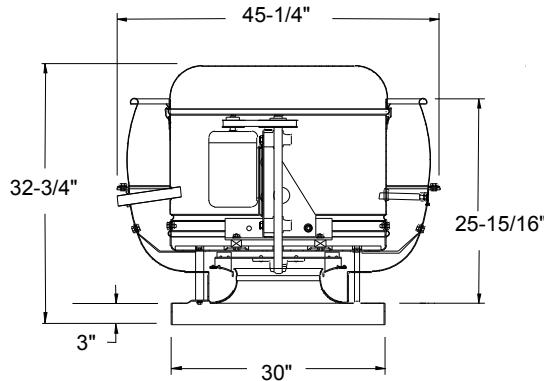
Material Gauges
Top Cap Lid - .063
Top Cap Cylinder - .040
Baffle - .080
Base - .080



210 ACRUB-XP / ACSC-XP

Wheel Diameter - 21 inches
Tip Speed (FPM) - 5.5 x RPM
Maximum RPM - 2126
Maximum BHP - .33 x (RPM/1000)³
Maximum Motor Frame - 182T
Approx. Ship Wt. (Less Motor) - 220 lbs.
Roof Curb - RCG, RCA - 28
Roof Opening - 25-1/2 inches

Material Gauges
Top Cap Lid - .063
Top Cap Cylinder - .040
Baffle - .080
Base - .080



Performance certified is for Installation Type A: free inlet, free outlet. Power rating (BHP) does not include transmission losses. Performance ratings do not include the effects of appurtenances (accessories). The sound ratings shown are loudness values in fan sones at 5 ft. (1.5m) in a hemispherical free field calculated per AMCA Standard 301. Values shown are for Installation Type A: free inlet hemispherical sone levels.

210 ACRUB / ACSC

Catalog Number	Mtr. HP/ Drv. Wt.	Fan RPM	Tip Speed	CFM at Static Pressure																					
				0.000" SP		0.125" SP		0.250" SP		0.375" SP		0.500" SP		0.625" SP		0.750" SP		0.875" SP		1.000" SP		1.250" SP		1.500" SP	
				Sone	BHP	Sone	BHP	Sone	BHP	Sone	BHP	Sone	BHP	Sone	BHP	Sone	BHP	Sone	BHP	Sone	BHP	Sone	BHP	Sone	BHP
210R2B 210SC2B	1/6 15 lbs.	514	2825	3052		2672		2247																	
				5.4	.14	4.8	.15	4.2	.16																
210R3B 210SC3B	1/4 15 lbs.	591	3249	3509		3180		2836		2428															
				7.3	.21	6.8	.22	6.3	.24	5.6	.25														
210R4B 210SC4B	1/3 19 lbs.	653	3590	3877		3580		3275		2940		2534													
				8.6	.28	8.1	.3	7.5	.31	7.0	.33	6.3	.33												
210R5B 210SC5B	1/2 23 lbs.	750	4123	4453		4195		3933		3661		3363		3019		2522									
				10.6	.43	10.1	.45	9.6	.46	9.1	.48	8.6	.49	7.9	.5	7.4	.49								
210R6B 210SC6B	3/4 31 lbs.	863	4744	5124		4900		4674		4445		4206		3950		3667		3344		2864					
				13.7	.65	13.3	.67	12.9	.69	12.4	.71	11.9	.73	11.4	.75	10.8	.76	10.2	.77	9.7	.75				
210R7B 210SC7B	1 36 lbs.	952	5233	5653		5449		5245		5039		4829		4611		4378		4126		3849		2960			
				16.7	.88	16.2	.9	15.8	.92	15.4	.94	14.9	.97	14.5	.99	13.9	1.01	13.3	1.02	12.7	1.03	11.7	.97		
210R8B 210SC8B	1-1/2 38 lbs.	1022 1093	5618 6009	6068		5879		5689		5498		5304		5106		4899		4681		4446		3904			
				19.1	1.09	18.7	1.11	18.3	1.13	17.9	1.15	17.4	1.18	16.9	1.21	16.5	1.23	15.9	1.25	15.14	1.26	14.3	1.28		
				22	1.33	21	1.35	21	1.37	21	1.4	20	1.43	19.7	1.45	19.3	1.48	18.8	1.51	18.2	1.52	17.1	1.55		
210R9B 210SC9B	2 50 lbs.	1149 1205	6316 6624	6822		6654		6485		6316		6145		5973		5797		5617		5429		5022			
				24	1.54	24	1.57	23	1.59	23	1.62	22	1.64	22	1.67	22	1.7	21	1.73	21	1.76	19.5	1.79		
				26	1.78	26	1.8	25	1.83	25	1.86	24	1.89	24	1.92	24	1.95	23	1.98	23	2.01	22	2.05		

210 ACRUB-HP / ACSC-HP

Catalog Number	Mtr. HP/ Drv. Wt.	Fan RPM	Tip Speed	CFM at Static Pressure																					
				0.250" SP		0.375" SP		0.500" SP		0.750" SP		1.000" SP		1.250" SP		1.500" SP		1.750" SP		2.000" SP		2.250" SP		2.500" SP	
				Sone	BHP	Sone	BHP	Sone	BHP	Sone	BHP	Sone	BHP	Sone	BHP	Sone	BHP	Sone	BHP	Sone	BHP	Sone	BHP	Sone	BHP
210RH4B 210SCH4B	1/3 19 lbs.	768	4222	2769		2511		2235																	
				8.4	.31	8.3	.32	7.9	.33																
210RH5B 210SCH5B	1/2 23 lbs.	882	4849	3323		3093		2875		2341															
				10.7	.45	10.6	.47	10.6	.49	9.5	.50														
210RH6B 210SCH6B	3/4 31 lbs.	1015	5580	3932		3759		3554		3176		2679		1793											
				13.7	.67	13.6	.70	13.6	.72	13.2	.75	12.2	.77	11.2	.69										
210RH7B 210SCH7B	1 36 lbs.	1067 1120	5866 6157	4164		4008		3819		3452		3037		2485											
				14.9	.77	14.8	.81	14.8	.83	14.6	.87	13.8	.89	12.7	.87										
				16.2	.89	16.1	.92	16.1	.95	16.0	.99	15.3	1.02	14.2	1.03	13.3	.95								
210RH8B 210SCH8B	1-1/2 38 lbs.	1286	7070	5122		5007		4881		4572		4264		3965		3579		3133		2301					
				19.8	1.31	19.7	1.36	19.7	1.40	19.6	1.46	19.5	1.50	18.9	1.54	18.1	1.57	17.2	1.55	16.4	1.41				
210RH9B 210SCH9B	2 50 lbs.	1352 1417	7433 7790	5406		5300		5184		4905		4600		4323		4009		3609		3164		2260			
				21	1.52	21	1.56	21	1.61	21	1.68	21	1.73	21	1.77	20	1.80	19.3	1.82	18.4	1.78	17.7	1.59		
				23	1.74	23	1.79	23	1.83	23	1.92	23	1.98	23	2.02	22	2.06	21	2.09	20	2.09	19.7	2.03		
210RH10B 210SCH10B	3 74 lbs.	1521 1626	8362 8939	6131		6038		5942		5725		5462		5191		4944		4688		4374		4008			
				26	2.13	26	2.19	26	2.24	26	2.33	26	2.41	25	2.46	25	2.51	25	2.55	24	2.58	23	2.59		
				29	2.59	29	2.65	29	2.70	29	2.81	28	2.90	28	2.97	28	3.02	28	3.07	27	3.11	27	3.15		

210 ACRUB-XP / ACSC-XP

Catalog Number	Mtr. HP/ Drv. Wt.	Fan RPM	Tip Speed	CFM at Static Pressure																					
				1.000" SP		1.250" SP		1.500" SP		1.750" SP		2.000" SP		2.250" SP		2.500" SP		3.000" SP		3.500" SP		4.000" SP		4.500" SP	
				Sone	BHP	Sone	BHP	Sone	BHP	Sone	BHP	Sone	BHP	Sone	BHP	Sone	BHP	Sone	BHP	Sone	BHP	Sone	BHP	Sone	BHP
210RX4B 210SCX4B	1/3 19 lbs.	1004	5519	1127																					
				9.0	.33																				
210RX5B 210SCX5B	1/2 23 lbs.	1153	6338	1558		1357		1102																	
				11.3	.48	11.2	.50	12.7	.50																
210RX6B 210SCX6B	3/4 31 lbs.	1327	7295	1950		1832		1684		1487		1253													
				14.6	.69	14.5	.73	14.4	.76	14.6	.77	18.1	.76												
210RX7B 210SCX7B	1 36 lbs.	1464	8048	2243		2138		2030		1905		1734		1552		1301									
				17.4	.90	17.3	.93	17.2	.97	17.1	1.01	17.0	1.03	18.2	1.03	27	1.01								
210RX8B 210SCX8B	1-1/2 38 lbs.	1572 1681	8642 9241	2469		2370		2273		2172		2055		1900		1732									
				19.3	1.08	19.2	1.13	19.1	1.17	19.0	1.21	18.8	1.24	18.7	1.27	19.6	1.28								
				22	1.30	21	1.34	21	1.39	21	1.43	21	1.47	21	1.51	21	1.55	23	1.56						
210RX9B 210SCX9B	2 50 lbs.	1767 1852	9714 10181	2869		2780		2691		2605		2518		2426		2322		2041		1710					
				23	1.48	23	1.53	23	1.58	23	1.63	22	1.67	22	1.72	22	1.76	22	1.82	29	1.80				
				25	1.68	25	1.74	24	1.79	24	1.84	24	1.89	24	1.94	24	1.98	24	2.07	25	2.10	40	2.04		
210RX10B 210SCX10B	3 74 lbs.	1989 2126	10935 11688	3313		3235		3156		3077		2999		2922		2845		2679		2459		2192			
				28	2.04	28	2.11	27	2.17	27	2.23	27	2.28	27	2.33	26	2.38	26	2.48	26	2.57	28	2.60		
				32	2.46	31	2.53	30	2.60	30	2.66	30	2.72	30	2.78	29	2.83	29	2.94	29	3.04	29	3.13		

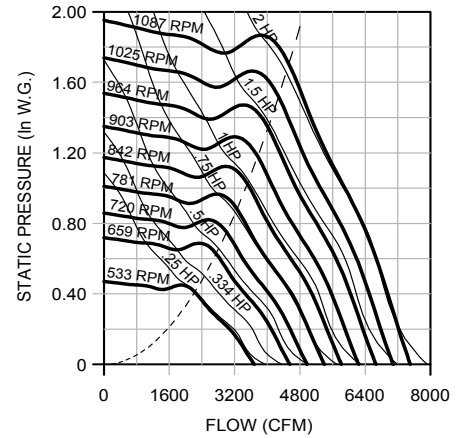
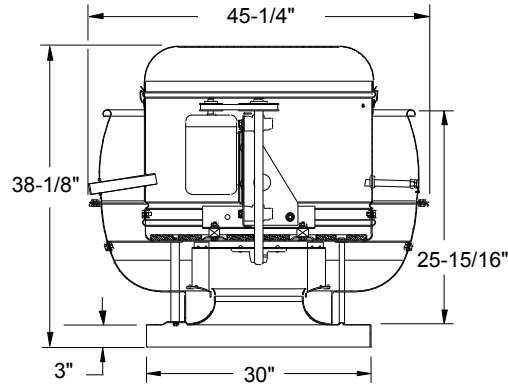
Performance certified is for Installation Type A: free inlet, free outlet. Power rating (BHP) does not include transmission losses. Performance ratings do not include the effects of appurtenances (accessories). The sound ratings shown are loudness values in fan sones at 5 ft. (1.5m) in a hemispherical free field calculated per AMCA Standard 301. Values shown are for Installation Type A: free inlet hemispherical sone levels.

225 ACRUB / ACSC

Wheel Diameter - 22.5 inches
Tip Speed (FPM) - 5.9 x RPM
Maximum RPM - 1086
Maximum BHP - 1.6 x (RPM/1000)³
Maximum Motor Frame - 182T
Approx. Ship Wt. (Less Motor) - 242 lbs.
Roof Curb - RCG, RCA - 28
Roof Opening - 25-1/2 inches

Material Gauges

Top Cap Lid - .063
Top Cap Cylinder - .040
Baffle - .080
Base - .080

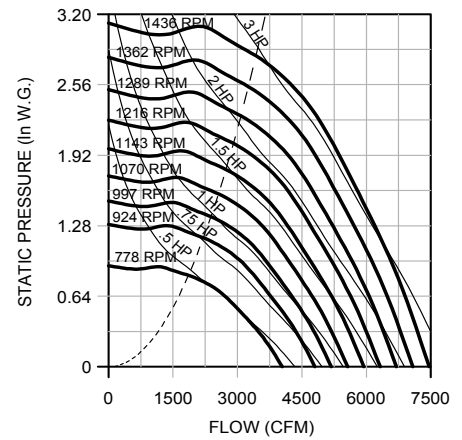
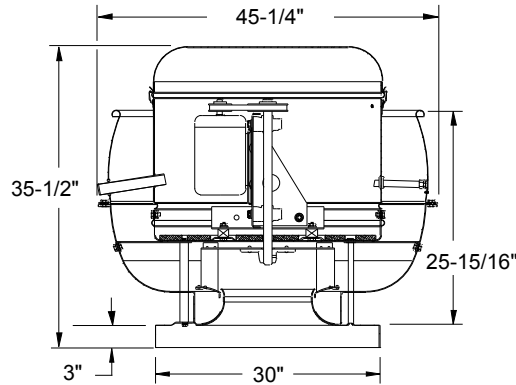


225 ACRUB-HP / ACSC-HP

Wheel Diameter - 22.5 inches
Tip Speed (FPM) - 5.9 x RPM
Maximum RPM - 1435
Maximum BHP - 1.1 x (RPM/1000)³
Maximum Motor Frame - 182T
Approx. Ship Wt. (Less Motor) - 242 lbs.
Roof Curb - RCG, RCA - 28
Roof Opening - 25-1/2 inches

Material Gauges

Top Cap Lid - .063
Top Cap Cylinder - .040
Baffle - .080
Base - .080

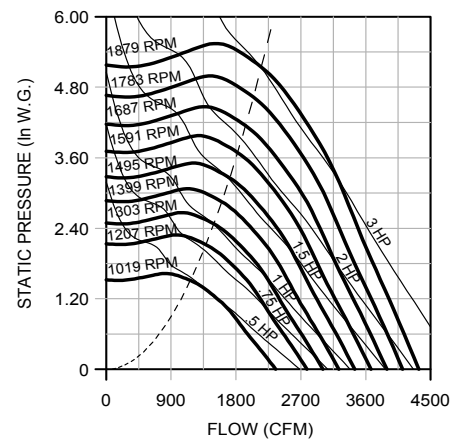
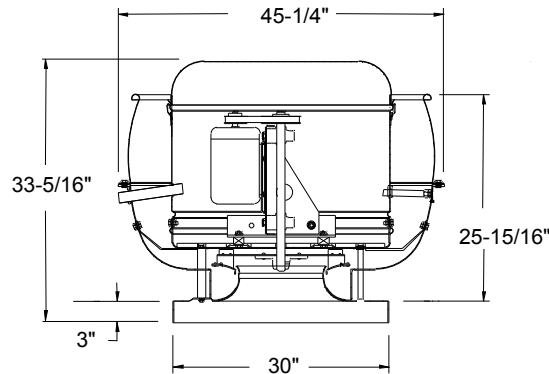


225 ACRUB-XP / ACSC-XP

Wheel Diameter - 22.5 inches
Tip Speed (FPM) - 5.9 x RPM
Maximum RPM - 1879
Maximum BHP - .48 x (RPM/1000)³
Maximum Motor Frame - 182T
Approx. Ship Wt. (Less Motor) - 242 lbs.
Roof Curb - RCG, RCA - 28
Roof Opening - 25-1/2 inches

Material Gauges

Top Cap Lid - .063
Top Cap Cylinder - .040
Baffle - .080
Base - .080



Performance certified is for Installation Type A: free inlet, free outlet. Power rating (BHP) does not include transmission losses. Performance ratings do not include the effects of appurtenances (accessories). The sound ratings shown are loudness values in fan sones at 5 ft. (1.5m) in a hemispherical free field calculated per AMCA Standard 301. Values shown are for Installation Type A: free inlet hemispherical sone levels.

225 ACRUB / ACSC

Catalog Number	Mtr. HP/ Drv. Wt.	Fan RPM	Tip Speed	CFM at Static Pressure																					
				0.000" SP		0.125" SP		0.250" SP		0.375" SP		0.500" SP		0.625" SP		0.750" SP		0.875" SP		1.000" SP		1.250" SP		1.500" SP	
				Sone	BHP	Sone	BHP	Sone	BHP	Sone	BHP	Sone	BHP	Sone	BHP	Sone	BHP	Sone	BHP	Sone	BHP	Sone	BHP	Sone	BHP
225R3B 225SC3B	1/4 15 lbs.	533	3139	3684	3333	2854	2357																		
225R4B 225SC4B	1/3 19 lbs.	589	3469	4071	3753	3381	2873																		
225R5B 225SC5B	1/2 23 lbs.	677	3987	4680	4400	4119	3730	3288	2938																
225R6B 225SC6B	3/4 31 lbs.	779	4588	5385	5138	4904	4637	4281	3887	3565															
225R7B 225SC7B	1 36 lbs.	819 859	4824 5059	5661 5938	5426 5712	5204 5500	4964 5279	4655 5011	4280 4671	3932 4313	3645 4010														
225R8B 225SC8B	1-1/2 38 lbs.	923 986	5436 5808	6380 6816	6169 6616	5971 6430	5771 6246	5548 6049	5271 5822	4942 5544	4612 5231	4330 4923													
225R9B 225SC9B	2 50 lbs.	1036 1087	6102 6402	7161 7514	6970 7332	6793 7161	6618 6994	6437 6824	6236 6643	5997 6435	5716 6191	5414 5913	4878 5357	4427 4907											

225 ACRUB-HP / ACSC-HP

Catalog Number	Mtr. HP/ Drv. Wt.	Fan RPM	Tip Speed	CFM at Static Pressure																					
				0.250" SP		0.375" SP		0.500" SP		0.750" SP		1.000" SP		1.250" SP		1.500" SP		1.750" SP		2.000" SP		2.250" SP		2.500" SP	
				Sone	BHP	Sone	BHP	Sone	BHP	Sone	BHP	Sone	BHP	Sone	BHP	Sone	BHP	Sone	BHP	Sone	BHP	Sone	BHP	Sone	BHP
225RH5B 225SCH5B	1/2 23 lbs.	606 779	3569 4588	2553 3634	2159 3370	1479 3074																			
225RH6B 225SCH6B	3/4 31 lbs.	897	5283	4315	4110	3875	3356	2659																	
225RH7B 225SCH7B	1 36 lbs.	989	5825	4830	4656	4459	4009	3521	2800																
225RH8B 225SCH8B	1-1/2 38 lbs.	1063 1136	6261 6691	5238 5638	5082 5495	4910 5341	4511 4987	4073 4588	3584 4169	2781 3662															
225RH9B 225SCH9B	2 50 lbs.	1194 1251	7033 7369	5953 6262	5819 6135	5677 6002	5354 5705	4985 5364	4593 4996	4174 4615	3604 4180														
225RH10B 225SCH10B	3 74 lbs.	1343 1436	7910 8458	6757 7256	6641 7148	6520 7037	6257 6801	5958 6536	5628 6241	5281 5926	4924 5600	4520 5266	3958 4408												

225 ACRUB-XP / ACSC-XP

Catalog Number	Mtr. HP/ Drv. Wt.	Fan RPM	Tip Speed	CFM at Static Pressure																					
				1.000" SP		1.250" SP		1.500" SP		1.750" SP		2.000" SP		2.250" SP		2.500" SP		3.000" SP		3.500" SP		4.000" SP		4.500" SP	
				Sone	BHP	Sone	BHP	Sone	BHP	Sone	BHP	Sone	BHP	Sone	BHP	Sone	BHP	Sone	BHP	Sone	BHP	Sone	BHP	Sone	BHP
225RX5B 225SCX5B	1/2 23 lbs.	1019	6002	1710	1493	1190																			
225RX6B 225SCX6B	3/4 31 lbs.	1173	6909	2147	2013	1847	1635																		
225RX7B 225SCX7B	1 36 lbs.	1294	7622	2474	2353	2232	2089	1908	1700																
225RX8B 225SCX8B	1-1/2 38 lbs.	1390 1486	8187 8753	2731 2986	2613 2871	2502 2763	2388 2660	2255 2553	2091 2430	1905 2282															
225RX9B 225SCX9B	2 50 lbs.	1562 1637	9200 9642	3185 3380	3075 3274	2968 3170	2868 3071	2770 2977	2666 2882	2547 2782	2247 2534	1852 2221													
225RX10B 225SCX10B	3 74 lbs.	1718 1799 1879	10119 10597 11068	3587 3793 3994	3487 3698 3904	3387 3602 3812	3289 3507 3720	3197 3415 3630	3107 3328 3544	3017 3243 3461	2813 3065 3297	2548 2847 3114	2232 2576 2885	2254 2714 2614											

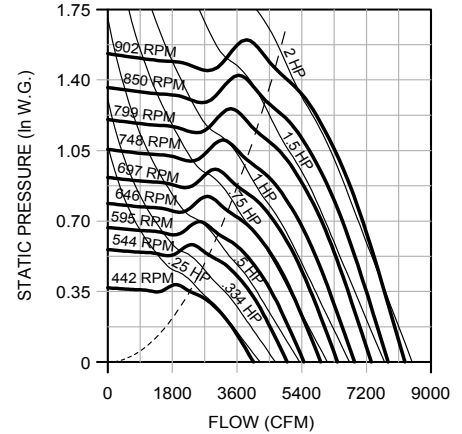
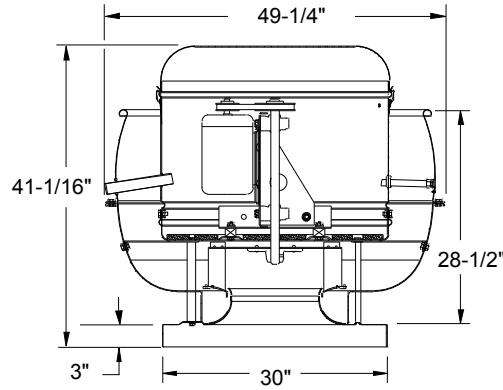
Performance certified for Installation Type A: free inlet, free outlet. Power rating (BHP) does not include transmission losses. Performance ratings do not include the effects of appurtenances (accessories). The sound ratings shown are loudness values in fan sones at 5 ft. (1.5m) in a hemispherical free field calculated per AMCA Standard 301. Values shown are for Installation Type A: free inlet hemispherical sone levels.

245 ACRUB / ACSC / ACRUB-HP / ACSC-HP Data

245 ACRUB / ACSC

Wheel Diameter - 24.5 inches
Tip Speed (FPM) - 6.4 x RPM
Maximum RPM - 901
Maximum BHP - 2.8 x (RPM/1000)³
Maximum Motor Frame - 182T
Approx. Ship Wt. (Less Motor) - 264 lbs.
Roof Curb - RCG, RCA - 28
Roof Opening - 25-1/2 inches

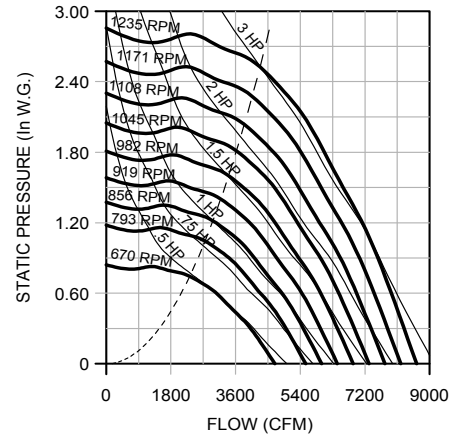
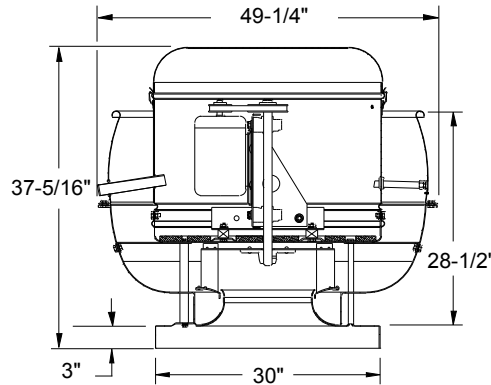
Material Gauges
Top Cap Lid - .063
Top Cap Cylinder - .040
Baffle - .080
Base - .080



245 ACRUB-HP / ACSC-HP

Wheel Diameter - 24.5 inches
Tip Speed (FPM) - 6.4 x RPM
Maximum RPM (Standard Wheel) - 1185
Maximum RPM (Reinforced Wheel) - 1234
Maximum BHP - 1.6 x (RPM/1000)³
Maximum Motor Frame - 182T
Approx. Ship Wt. (Less Motor) - 264 lbs.
Roof Curb - RCG, RCA - 28
Roof Opening - 25-1/2 inches

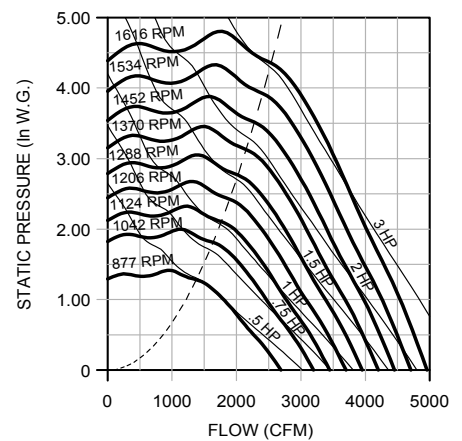
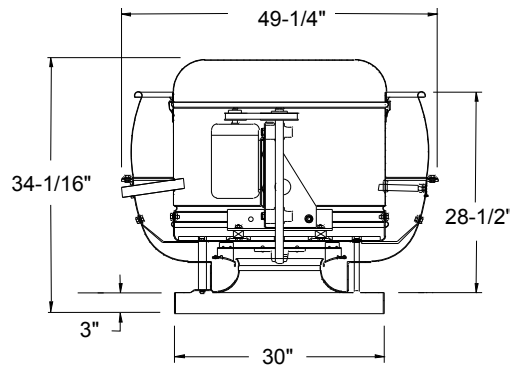
Material Gauges
Top Cap Lid - .063
Top Cap Cylinder - .040
Baffle - .080
Base - .080



245 ACRUB-XP / ACSC-XP

Wheel Diameter - 24.5 inches
Tip Speed (FPM) - 6.4 x RPM
Maximum RPM (Standard Wheel) - 1616
Maximum BHP - .75 x (RPM/1000)³
Maximum Motor Frame - 182T
Approx. Ship Wt. (Less Motor) - 264 lbs.
Roof Curb - RCG, RCA - 28
Roof Opening - 25-1/2 inches

Material Gauges
Top Cap Lid - .063
Top Cap Cylinder - .040
Baffle - .080
Base - .080



Performance certified is for Installation Type A: free inlet, free outlet. Power rating (BHP) does not include transmission losses. Performance ratings do not include the effects of appurtenances (accessories). The sound ratings shown are loudness values in fan sones at 5 ft. (1.5m) in a hemispherical free field calculated per AMCA Standard 301. Values shown are for Installation Type A: free inlet hemispherical sone levels.

245 ACRUB / ACSC

Catalog Number	Mtr. HP/ Drv. Wt.	Fan RPM	Tip Speed	CFM at Static Pressure																					
				0.000" SP		0.125" SP		0.250" SP		0.375" SP		0.500" SP		0.625" SP		0.750" SP		0.875" SP		1.000" SP		1.250" SP		1.500" SP	
				Sone	BHP	Sone	BHP	Sone	BHP	Sone	BHP	Sone	BHP	Sone	BHP	Sone	BHP	Sone	BHP	Sone	BHP	Sone	BHP	Sone	BHP
245R3B 245SC3B	1/4 15 lbs.	442	2835	4058		3639		3116																	
				7.2	.22	6.8	.24	6.3	.24																
245R4B 245SC4B	1/3 19 lbs.	489	3136	4490		4114		3691		3060															
				9.0	.30	8.6	.32	8.2	.33	7.3	.33														
245R5B 245SC5B	1/2 23 lbs.	561	3598	5151		4825		4481		4067		3471													
				11.9	.45	11.6	.48	11.3	.50	11.0	.50	9.7	.49												
245R6B 245SC6B	3/4 31 lbs.	646	4143	5931		5649		5359		5047		4674		4185											
				14.8	.69	14.5	.72	14.2	.75	13.9	.77	13.6	.76	12.7	.76										
245R7B	1	679	4355	6234		5966		5692		5402		5074		4662		4104									
				16.1	.80	15.7	.83	15.4	.86	15.1	.88	14.7	.89	14.4	.88	13.0	.87								
245SC7B	36 lbs.	712	4566	6537		6282		6022		5750		5453		5098		4650		3955							
				17.2	.92	16.9	.95	16.6	.99	16.3	1.01	15.9	1.03	15.5	1.02	14.7	1.01	13.5	.95						
245R8B	1-1/2	765	4906	7023		6786		6546		6297		6035		5741		5391		4962		4325					
				19.7	1.14	19.4	1.18	19.0	1.21	18.7	1.25	18.3	1.27	17.8	1.27	17.3	1.27	16.4	1.25	15.4	1.19				
245SC8B	38 lbs.	818	5246	7510		7288		7064		6835		6596		6341		6052		5713		5307					
				22	1.39	22	1.43	22	1.47	21	1.51	21	1.54	21	1.56	20	1.56	19.7	1.54	18.7	1.53				
245R9B	2	860	5516	7896		7685		7472		7255		7032		6797		6542		6251		5912		4947			
				24	1.62	24	1.66	24	1.70	24	1.74	23	1.78	23	1.80	22	1.81	22	1.81	22	1.79	19.3	1.71		
245SC9B	50 lbs.	902	5785	8281		8080		7878		7672		7461		7243		7011		6756		6465		5738			
				27	1.86	27	1.91	26	1.96	26	2.00	26	2.04	25	2.07	25	2.08	24	2.09	24	2.08	22	2.05		

245 ACRUB-HP / ACSC-HP

Catalog Number	Mtr. HP/ Drv. Wt.	Fan RPM	Tip Speed	CFM at Static Pressure																					
				0.250" SP		0.375" SP		0.500" SP		0.750" SP		1.000" SP		1.250" SP		1.500" SP		1.750" SP		2.000" SP		2.250" SP		2.500" SP	
				Sone	BHP	Sone	BHP	Sone	BHP	Sone	BHP	Sone	BHP	Sone	BHP	Sone	BHP	Sone	BHP	Sone	BHP	Sone	BHP	Sone	BHP
245RH5B 245SCH5B	1/2 23 lbs.	670	4297	4143		3805		3393																	
				10.6	.47	10.0	.49	9.4	.50																
245RH6B 245SCH6B	3/4 31 lbs.	771	4945	4929		4675		4369		3661															
				14.2	.71	13.8	.73	13.3	.74	12.0	.77														
245RH7B	1	811	5201	5233		4998		4730		4061		3255													
				15.3	.81	15.0	.84	14.6	.86	13.4	.89	12.1	.88												
245SCH7B	36 lbs.	850	5451	5528		5307		5065		4442		3783													
				16.5	.93	16.2	.96	15.8	.98	14.7	1.02	13.5	1.03												
245RH8B	1-1/2	913	5856	5999		5796		5583		5056		4458		3732											
				18.4	1.14	18.2	1.18	17.8	1.20	16.9	1.25	15.8	1.28	14.7	1.26										
245SCH8B	38 lbs.	976	6260	6466		6279		6084		5640		5075		4522		3721									
				20	1.38	20	1.42	19.9	1.45	19.1	1.50	18.1	1.55	17.1	1.56	16.1	1.52								
245RH9B	2	1026	6580	6835		6657		6475		6076		5564		5036		4446									
				22	1.59	22	1.64	22	1.68	21	1.72	19.9	1.75	18.9	1.81	18.1	1.80								
245SCH9B	50 lbs.	1076	6901	7201		7033		6860		6494		6044		5526		5027		4353							
				24	1.82	24	1.87	24	1.92	23	1.98	22	2.03	21	2.08	20	2.09	19.2	2.05						
245RH10B	3	1156	7414	7785		7628		7470		7140		6769		6307		5832		5364		4738					
				27	2.23	27	2.30	27	2.35	27	2.43	26	2.48	25	2.54	24	2.59	23	2.59	22	2.55				
245SCH10B	74 lbs.	1235	7921	8358		8212		8065		7762		7437		7055		6603		6166		5725		5153			
				31	2.70	31	2.77	31	2.84	30	2.93	30	2.99	29	3.05	28	3.12	27	3.16	26	3.16	25	3.12		

245 ACRUB-XP / ACSC-XP

Catalog Number	Mtr. HP/ Drv. Wt.	Fan RPM	Tip Speed	CFM at Static Pressure																					
				1.000" SP		1.250" SP		1.500" SP		1.750" SP		2.000" SP		2.250" SP		2.500" SP		3.000" SP		3.500" SP		4.000" SP		4.500" SP	
				Sone	BHP	Sone	BHP	Sone	BHP	Sone	BHP	Sone	BHP	Sone	BHP	Sone	BHP	Sone	BHP	Sone	BHP	Sone	BHP	Sone	BHP
245RX5B 245SCX5B	1/2 23 lbs.	877	5625	1801		1469																			
				10.8	.50	10.5	.50																		
245RX6B 245SCX6B	3/4 31 lbs.	1009	6471	2337		2137		1898																	
				14.5	.73	14.4	.76	14.1	.77																
245RX7B 245SCX7B	1 36 lbs.	1113	7138	2730		2555		2374		2164		1887													
				17.6	.94	17.6	.98	17.6	1.02	17.3	1.03	17.1	1.01												
245RX8B	1-1/2	1195	7664	3038		2866		2705		2534		2338		2099											
				20	1.14	19.7	1.18	20	1.23	19.9	1.26	19.7	1.28	19.5	1.26										
245SCX8B	38 lbs.	1278	8197	3348		3178		3023		2872		2711		2530		2320									
				22	1.37	22	1.41	22	1.46	22	1.51	22	1.55	21	1.56	21	1.56								
245RX9B	2	1343	8614	3586		3422		3267		3123		2978		2822		2647									
				24	1.56	23	1.61	23	1.66	23	1.71	23	1.76	23	1.80	23	1.82								
245SCX9B	50 lbs.	1408	9031	3820		3665		3511		3369		3233		3093		2941		2585							
				25	1.78	25	1.83	25	1.88	24	1.94	24	1.99	24	2.04	24	2.08	24	2.08						
245RX10B	3	1477	9473	4063		3920		3771		3628		3495		3365		3231		2928		2530					
				27	2.03	27	2.09	27	2.14	26	2.20	26	2.25	26	2.31	26	2.36	26	2.42	25	2.38				
245SCX10B	74 lbs.	1546	9916	4302		4170		4029		3888		3755		3629		3505		3237		2923					
				29	2.30	29	2.37	29	2.43	28	2.48	28	2.54	28	2.60	28	2.66	27	2.75	27	2.77				
				31	2.59	31	2.67	31	2.74	31	2.80	30	2.85	30	2.92	30	2.98	30	3.09	29	3.16	29	3.15		

Performance certified for Installation Type A: free inlet, free outlet. Power rating (BHP) does not include transmission losses. Performance ratings do not include the effects of appurtenances (accessories). The sound ratings shown are loudness values in fan zones at 5 ft. (1.5m) in a hemispherical free field calculated per AMCA Standard 301. Values shown are for Installation Type A: free inlet hemispherical sone levels. **Shaded area indicates reinforced wheel required.**

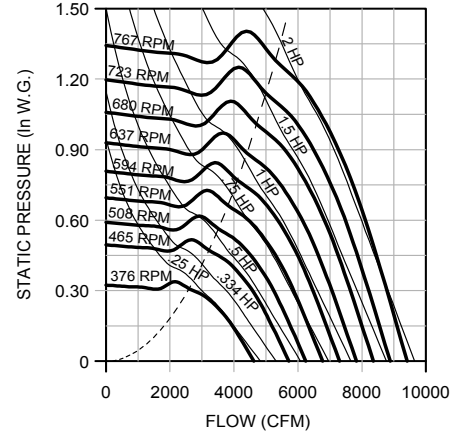
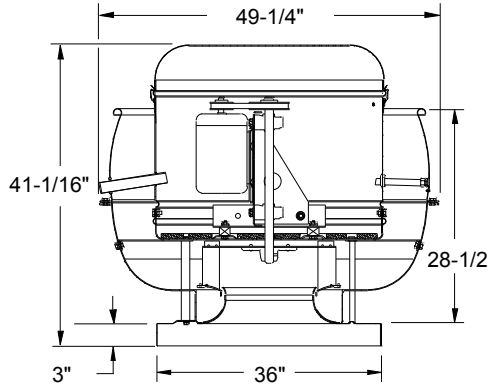
270 ACRUB / ACSC / ACRUB-HP / ACSC-HP Data

270 ACRUB / ACSC

Wheel Diameter - 27 inches
Tip Speed (FPM) - 7.1 x RPM
Maximum RPM - 766
Maximum BHP - 4.6 x (RPM/1000)³
Maximum Motor Frame - 182T
Approx. Ship Wt. (Less Motor) - 286 lbs.
Roof Curb - RCG, RCA - 34
Roof Opening - 31-1/2 inches

Material Gauges

Top Cap Lid - .063
Top Cap Cylinder - .040
Baffle - .080
Base - .080

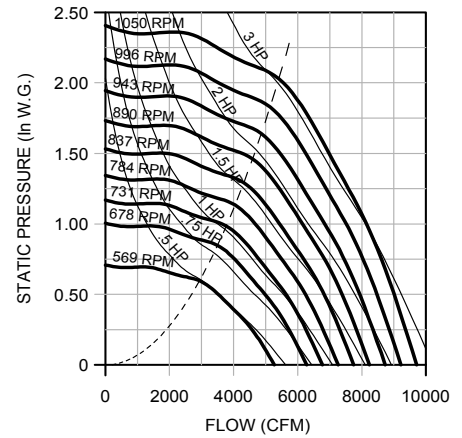
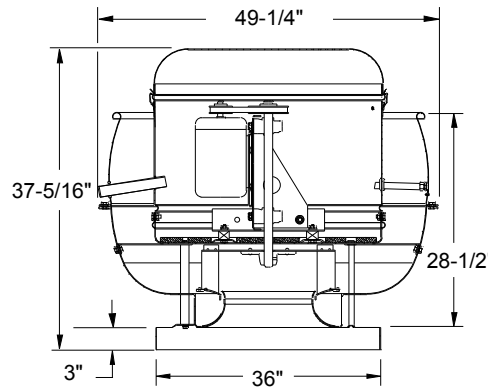


270 ACRUB-HP / ACSC-HP

Wheel Diameter - 27 inches
Tip Speed (FPM) - 7.1 x RPM
Maximum RPM (Standard Wheel) - 1025
Maximum RPM (Reinforced Wheel) - 1049
Maximum BHP - 2.7 x (RPM/1000)³
Maximum Motor Frame - 182T
Approx. Ship Wt. (Less Motor) - 286 lbs.
Roof Curb - RCG, RCA - 34
Roof Opening - 31-1/2 inches

Material Gauges

Top Cap Lid - .063
Top Cap Cylinder - .040
Baffle - .080
Base - .080

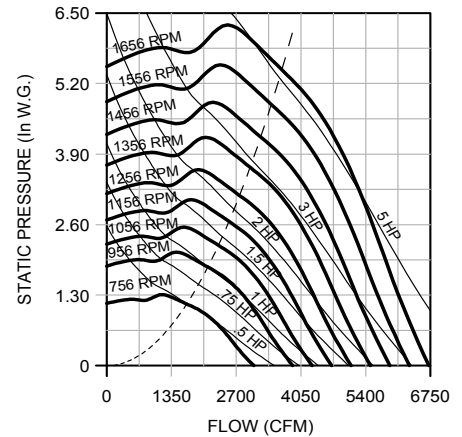
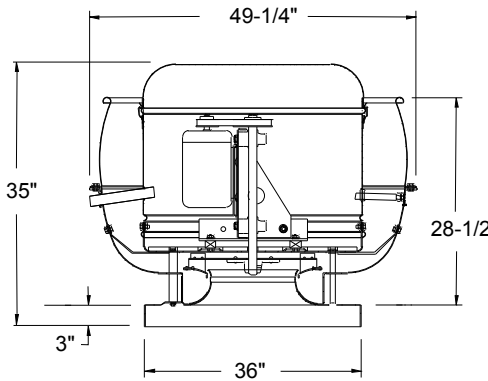


270 ACRUB-XP / ACSC-XP

Wheel Diameter - 27 inches
Tip Speed (FPM) - 7.1 x RPM
Maximum RPM - 1656
Maximum BHP - 1.17 x (RPM/1000)³
Maximum Motor Frame - 182T
Approx. Ship Wt. (Less Motor) - 286 lbs.
Roof Curb - RCG, RCA - 34
Roof Opening - 31-1/2 inches

Material Gauges

Top Cap Lid - .063
Top Cap Cylinder - .040
Baffle - .080
Base - .080



Performance certified is for Installation Type A: free inlet, free outlet. Power rating (BHP) does not include transmission losses. Performance ratings do not include the effects of appurtenances (accessories). The sound ratings shown are loudness values in fan sones at 5 ft. (1.5m) in a hemispherical free field calculated per AMCA Standard 301. Values shown are for Installation Type A: free inlet hemispherical sone levels.

270 ACRUB / ACSC

Catalog Number	Mtr. HP/ Drv. Wt.	Fan RPM	Tip Speed	CFM at Static Pressure																							
				0.000" SP		0.125" SP		0.250" SP		0.375" SP		0.500" SP		0.625" SP		0.750" SP		0.875" SP		1.000" SP		1.250" SP		1.500" SP			
				Sone	BHP	Sone	BHP	Sone	BHP	Sone	BHP	Sone	BHP	Sone	BHP	Sone	BHP	Sone	BHP	Sone	BHP	Sone	BHP	Sone	BHP	Sone	BHP
270R3B	1/4	376	2657	4620		4073		3320																			
270SC3B	15 lbs.			5.0	.22	4.7	.24	4.1	.24																		
270R4B	1/3	416	2940	5112		4623		4039																			
270SC4B	19 lbs.			6.3	.30	6.0	.32	5.4	.33																		
270R5B	1/2	477	3371	5861		5439		4981		4381																	
270SC5B	23 lbs.			8.4	.45	8.3	.48	7.5	.50	7.1	.50																
270R6B	3/4	549	3880	6746		6381		6000		5576		5025		4158													
270SC6B	31 lbs.			11.5	.68	11.5	.72	10.6	.75	9.9	.77	9.4	.76	9.0	.72												
270R7B	1	577	4078	7090		6743		6384		5995		5523		4889													
270SC7B	36 lbs.	606	4283	7447		7116		6777		6416		6001		5472		4701											
				13.3	.92	13.3	.96	12.7	1.00	11.9	1.02	11.3	1.03	10.9	1.02	10.5	.98										
270R8B	1-1/2	651	4601	7999		7692		7379		7052		6696		6274		5746		4965									
270SC8B	38 lbs.	696	4919	14.9		1.14	14.9	1.18	14.5	1.23	13.7	1.26	13.1	1.28	12.6	1.27	12.2	1.26	11.7	1.20							
				16.4	1.39	16.4	1.44	16.2	1.49	15.5	1.52	14.8	1.55	14.4	1.56	14.0	1.55	13.6	1.54	13.2	1.47						
270R9B	2	732	5174	8995		8722		8445		8162		7867		7549		7185		6753		6231							
270SC9B	50 lbs.	767	5421	17.7		1.61	17.7	1.67	17.6	1.72	17.0	1.76	16.4	1.79	15.8	1.81	15.4	1.81	15.0	1.80	14.6	1.78					
				18.9	1.86	18.9	1.92	18.9	1.97	18.4	2.01	17.8	2.05	17.3	2.08	16.9	2.09	16.5	2.08	16.1	2.06	15.4	1.89				

270 ACRUB-HP / ACSC-HP

Catalog Number	Mtr. HP/ Drv. Wt.	Fan RPM	Tip Speed	CFM at Static Pressure																						
				0.250" SP		0.375" SP		0.500" SP		0.750" SP		1.000" SP		1.250" SP		1.500" SP		1.750" SP		2.000" SP		2.250" SP		2.500" SP		
				Sone	BHP	Sone	BHP	Sone	BHP	Sone	BHP	Sone	BHP	Sone	BHP	Sone	BHP	Sone	BHP	Sone	BHP	Sone	BHP	Sone	BHP	Sone
270RH5B	1/2	569	4022	4576		4080		3523																		
270SCH5B	23 lbs.			9.9	.47	9.1	.50	8.4	.50																	
270RH6B	3/4	655	4629	5489		5136		4685		3652																
270SCH6B	31 lbs.			13.9	.70	12.8	.73	12.0	.76	10.8	.76															
270RH7B	1	689	4870	5837		5518		5122		4200																
270SCH7B	36 lbs.	723	5110	15.6		.81	14.5	.84	13.6	.87	12.3	.89														
				16.8	.93	16.0	.96	15.0	1.00	13.6	1.03															
270RH8B	1-1/2	777	5492	6721		6461		6164		5406		4565														
270SCH8B	38 lbs.	830	5866	18.7		1.14	18.2	1.18	17.2	1.21	15.7	1.27	14.7	1.27												
				21	1.37	21	1.42	19.5	1.46	17.8	1.53	16.7	1.56	16.1	1.53											
270RH9B	2	872	6163	7656		7434		7195		6622		5908		5156												
270SCH9B	50 lbs.	915	6467	22		1.58	22	1.63	22	1.68	19.7	1.75	18.4	1.80	17.6	1.80										
				8075	1.82	24	1.87	24	1.92	22	2.00	20	2.07	19.3	2.09	18.7	2.05									
270RH10B	3	983	6948	8734		8542		8342		7898		7352		6713		6066		5232								
270SCH10B	74 lbs.	1050	7422	27		2.24	27	2.29	27	2.35	25	2.44	24	2.53	23	2.58	22	2.59	21	2.54						
				9378	2.71	9201	2.77	9018	2.83	8622	2.94	8159	3.03	7595	3.11	6995	3.15	6378	3.15	5574	3.09					

270 ACRUB-XP / ACSC-XP

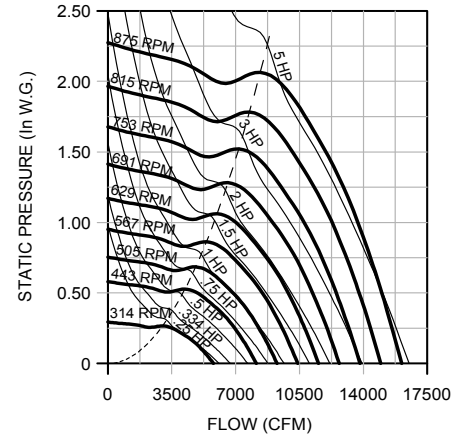
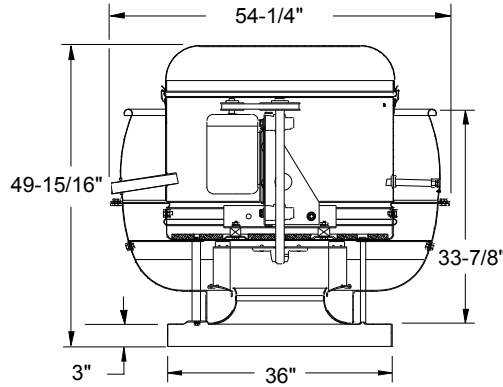
Catalog Number	Mtr. HP/ Drv. Wt.	Fan RPM	Tip Speed	CFM at Static Pressure																						
				1.000" SP		1.250" SP		1.500" SP		1.750" SP		2.000" SP		2.250" SP		2.500" SP		3.000" SP		3.500" SP		4.000" SP		4.500" SP		
				Sone	BHP	Sone	BHP	Sone	BHP	Sone	BHP	Sone	BHP	Sone	BHP	Sone	BHP	Sone	BHP	Sone	BHP	Sone	BHP	Sone	BHP	Sone
270RX5B	1/2	756	5343	1974																						
270SC5B	23 lbs.			12.1	.51																					
270RX6B	3/4	869	6142	2661		2374																				
270SC6B	31 lbs.			14.3	.74	14.5	.77																			
270RX7B	1	959	6778	3117		2907		2647		2270																
270SC7B	36 lbs.			16.3	.96	16.3	1.00	16.5	1.03	17.0	1.02															
270RX8B	1-1/2	1101	7782	3781		3624		3451		3253		3015		2697												
270SC8B	38 lbs.			19.3	1.37	19.3	1.44	19.3	1.49	19.4	1.53	19.7	1.56	20	1.56											
				4035	1.77	3888	1.85	3732	1.92	3559	1.98	3362	2.03	3125	2.07	2811	2.09									
270RX9B	2	1157	8178	21		1.56	21	1.63	21	1.69	21	1.75	21	1.79	22	1.81	22	1.81								
270SC9B	50 lbs.	1214	8581	4289		4150		4008		3853		3682		3488		3256										
				24	1.77	23	1.85	23	1.92	23	1.98	23	2.03	23	2.07	24	2.09									
270RX10B	3	1304	9217	4688		4558		4428		4294		4151		3994		3820		3379								
270SC10B	74 lbs.	1393	9846	27		2.14	27	2.23	27	2.31	27	2.38	27	2.45	27	2.51	27	2.55	28	2.59						
				5079	2.56	4954	2.65	4833	2.74	4711	2.83	4585	2.91	4452	2.98	4307	3.04	3974	3.13	3529	3.16					
270RX11B	5	1525	10779	5655		5537		5423		5312		5201		5088		4971		4713		4414		4043		3519		
270SC11B	98 lbs.	1656	11705	39		3.27	38	3.38	38	3.48	38	3.58	38	3.68	38	3.76	38	3.85	38	3.99	38	4.10	39	4.15	40	4.10
				6223	4.09	6110	4.22	6001	4.34	5897	4.45	5794	4.56	5693	4.66	5590	4.76	5375	4.94	5137	5.10	4869	5.22	4552	5.3	

Performance certified is for Installation Type A: free inlet, free outlet. Power rating (BHP) does not include transmission losses. Performance ratings do not include the effects of appurtenances (accessories). The sound ratings shown are loudness values in fan sones at 5 ft. (1.5m) in a hemispherical free field calculated per AMCA Standard 301. Values shown are for Installation Type A: free inlet hemispherical sone levels. **Shaded area indicates reinforced wheel required.**

300 ACRUB / ACSC

Wheel Diameter - 30 inches
Tip Speed (FPM) - 7.9 x RPM
Maximum RPM (Standard Wheel) - 837
Maximum RPM (Reinforced Wheel) - 877
Maximum BHP - 7.9 x (RPM/1000)³
Maximum Motor Frame - 213T
Approx. Ship Wt. (Less Motor) - 336 lbs.
Roof Curb - RCG, RCA - 34
Roof Opening - 31-1/2 inches

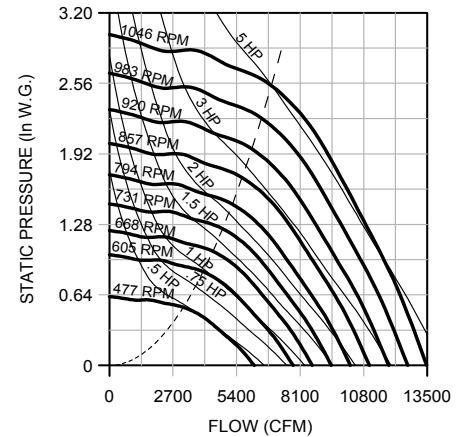
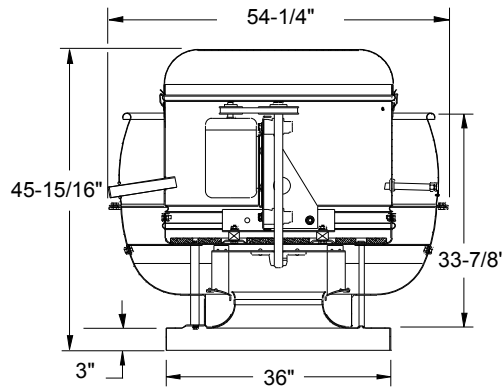
Material Gauges
Top Cap Lid - .063
Top Cap Cylinder - .050
Baffle - .080
Base - .080



300 ACRUB-HP / ACSC-HP

Wheel Diameter - 30 inches
Tip Speed (FPM) - 7.9 x RPM
Maximum RPM (Standard Wheel) - 980
Maximum RPM (Reinforced Wheel) - 1046
Maximum BHP - 4.6 x (RPM/1000)³
Maximum Motor Frame - 213T
Approx. Ship Wt. (Less Motor) - 336 lbs.
Roof Curb - RCG, RCA - 34
Roof Opening - 31-1/2 inches

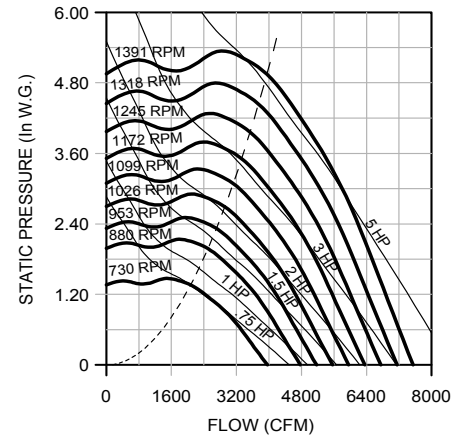
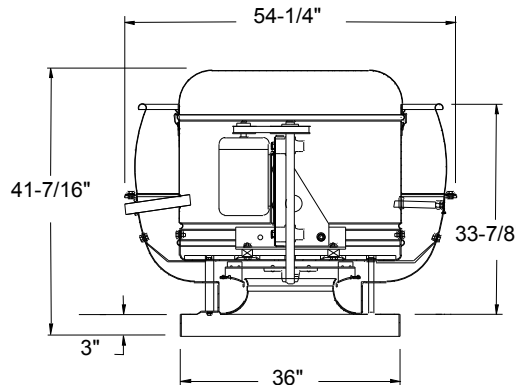
Material Gauges
Top Cap Lid - .063
Top Cap Cylinder - .050
Baffle - .080
Base - .080



300 ACRUB-XP / ACSC-XP

Wheel Diameter - 30 inches
Tip Speed (FPM) - 7.9 x RPM
Maximum RPM - 1391
Maximum BHP - 1.97 x (RPM/1000)³
Maximum Motor Frame - 213T
Approx. Ship Wt. (Less Motor) - 336 lbs.
Roof Curb - RCG, RCA - 34
Roof Opening - 31-1/2 inches

Material Gauges
Top Cap Lid - .063
Top Cap Cylinder - .050
Baffle - .080
Base - .080



Performance certified is for Installation Type A: free inlet, free outlet. Power rating (BHP) does not include transmission losses. Performance ratings do not include the effects of appurtenances (accessories). The sound ratings shown are loudness values in fan sones at 5 ft. (1.5m) in a hemispherical free field calculated per AMCA Standard 301. Values shown are for Installation Type A: free inlet hemispherical sone levels.

300 ACRUB / ACSC

Catalog Number	Mtr. HP/ Drv. Wt.	Fan RPM	Tip Speed	CFM at Static Pressure																					
				0.000" SP		0.125" SP		0.250" SP		0.375" SP		0.500" SP		0.625" SP		0.750" SP		0.875" SP		1.000" SP		1.250" SP		1.500" SP	
				Sone	BHP	Sone	BHP	Sone	BHP	Sone	BHP	Sone	BHP	Sone	BHP	Sone	BHP	Sone	BHP	Sone	BHP	Sone	BHP	Sone	BHP
300R3B 300SC3B	1/4 15 lbs.	314	2466	5763	4932	3486																			
300R4B 300SC4B	1/3 19 lbs.	348	2733	6387	5664	4589																			
300R5B 300SC5B	1/2 23 lbs.	399	3133	7323	6716	5941	4788																		
300R6B 300SC6B	3/4 31 lbs.	459	3604	8424	7910	7302	6532	5471																	
300R7B 300SC7B	1 36 lbs.	507	3981	9305	8845	8321	7709	6916	5907																
300R8B 300SC8B	1-1/2 38 lbs.	582	4571	10682	10285	9855	9370	8822	8151	7327	6284														
300R9B 300SC9B	2 50 lbs.	641	5034	11765	11406	11027	10608	10150	9637	9023	8287	7461													
300R10B 300SC10B	3 74 lbs.	736	5780	13508	13197	12876	12534	12163	11768	11340	10862	10306	8982												
300R11B 300SC11B	5 98 lbs.	806 875	6330 6872	14793 16060	14509 15798	14219 15533	13917 15260	13593 14972	13248 14668	12886 14347	12497 14013	12075 13660	11058 12868	9831 11891											
				27 3.60	27 3.68	27 3.75	26 3.83	26 3.90	25 3.97	24 4.03	24 4.08	23 4.12	22 4.12	21 4.11											
				31 4.61	31 4.69	31 4.77	31 4.85	30 4.93	29 5.01	29 5.09	28 5.16	27 5.21	26 5.28	25 5.27											

300 ACRUB-HP / ACSC-HP

Catalog Number	Mtr. HP/ Drv. Wt.	Fan RPM	Tip Speed	CFM at Static Pressure																					
				0.250" SP		0.375" SP		0.500" SP		0.750" SP		1.000" SP		1.250" SP		1.500" SP		1.750" SP		2.000" SP		2.250" SP		2.500" SP	
				Sone	BHP	Sone	BHP	Sone	BHP	Sone	BHP	Sone	BHP	Sone	BHP	Sone	BHP	Sone	BHP	Sone	BHP	Sone	BHP	Sone	BHP
300RH5B 300SCH5B	1/2 23 lbs.	477	3746	5050	4371	3466																			
300RH6B 300SCH6B	3/4 31 lbs.	549	4311	6182	4607	5015																			
300RH7B 300SCH7B	1 36 lbs.	606	4759	7030	6536	6007	4813																		
300RH8B 300SCH8B	1-1/2 38 lbs.	651 696	5112 5466	7678 8312	7244 7928	6757 7487	5746 6562	5467																	
300RH9B 300SCH9B	2 50 lbs.	767	6024	9295	8970	8600	7774	6920	5833																
300RH10B 300SCH10B	3 74 lbs.	823 880	6463 6911	10060 10832	9767 10564	9443 10276	8695 9608	7914 8882	7081 8144	5910 7319	6108														
300RH11B 300SCH11B	5 98 lbs.	963 1046	7563 8215	11947 13055	11708 12837	11457 12612	10892 12124	10245 11564	9580 10956	8903 10343	8163 9721	7185 9055	7112												
				22 2.25	22 2.32	21 2.39	19.8 2.48	18.5 2.53	17.4 2.57	16.4 2.51															
				25 2.72	25 2.80	24 2.88	23 3.00	21 3.07	20 3.11	19.0 3.15	18.2 3.03														
				28 3.53	28 3.62	28 3.71	27 3.86	25 3.97	24 4.03	23 4.08	22 4.12	21 4.06													
				32 4.49	32 4.59	32 4.68	31 4.86	30 5.01	29 5.11	27 5.16	26 5.22	25 5.28	24 5.26	24 5.05											

300 ACRUB-XP / ACSC-XP

Catalog Number	Mtr. HP/ Drv. Wt.	Fan RPM	Tip Speed	CFM at Static Pressure																					
				1.000" SP		1.250" SP		1.500" SP		1.750" SP		2.000" SP		2.250" SP		2.500" SP		3.000" SP		3.500" SP		4.000" SP		4.500" SP	
				Sone	BHP	Sone	BHP	Sone	BHP	Sone	BHP	Sone	BHP	Sone	BHP	Sone	BHP	Sone	BHP	Sone	BHP	Sone	BHP	Sone	BHP
300RX6B 300SCX6B	3/4 31 lbs.	730	5733	2786	2334																				
300RX7B 300SCX7B	1 36 lbs.	806	6330	3371	3029	2619																			
300RX8B 300SCX8B	1-1/2 38 lbs.	866 925	6801 7264	3787 4174	3510 3938	3171 3662	2783 3333	2968																	
300RX9B 300SCX9B	2 50 lbs.	972 1019	7634 8003	4472 4764	4259 4568	4018 4353	3738 4109	3411 3827	3056 3508	3164															
300RX10B 300SCX10B	3 74 lbs.	1095 1170	8600 9189	5229 5680	5051 5516	4866 5348	4663 5172	4436 4981	4179 4770	3889 4535	3227 3989														
300RX11B 300SCX11B	5 98 lbs.	1280 1391	10053 10924	6333 6983	6182 6843	6032 6705	5879 6567	5720 6427	5552 6283	5369 6132	4954 5802	4458 5419	3906 4972	4486											
				20 1.79	20 1.88	19.9 1.95	19.8 2.00	20 2.04	21 2.08	22 2.08															
				23 2.15	23 2.26	23 2.36	22 2.43	22 2.48	23 2.53	23 2.57	25 2.56														
				26 2.56	26 2.68	26 2.79	25 2.89	25 2.96	25 3.02	25 3.07	27 3.15														
				31 3.26	31 3.38	30 3.51	30 3.63	30 3.74	30 3.84	29 3.91	30 4.02	31 4.11	32 4.12												
				37 4.08	36 4.22	36 4.35	35 4.49	35 4.63	35 4.75	35 4.86	34 5.03	35 5.15	36 5.26	37 5.31											

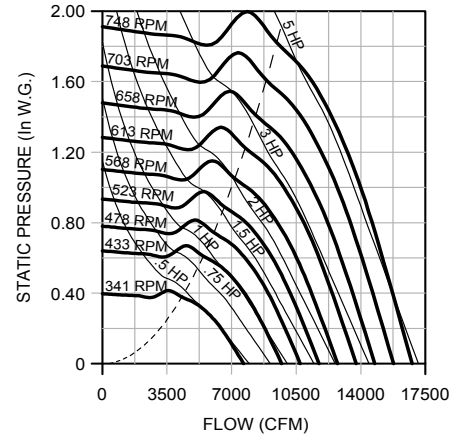
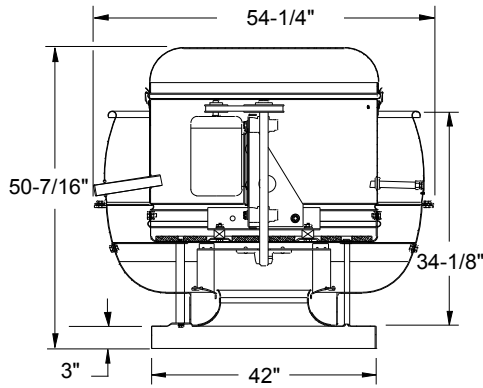
Performance certified is for Installation Type A: free inlet, free outlet. Power rating (BHP) does not include transmission losses. Performance ratings do not include the effects of appurtenances (accessories). The sound ratings shown are loudness values in fan zones at 5 ft. (1.5m) in a hemispherical free field calculated per AMCA Standard 301. Values shown are for Installation Type A: free inlet hemispherical sone levels. **Shaded area indicates reinforced wheel required.**

330 ACRUB / ACSC

Wheel Diameter - 33 inches
Tip Speed (FPM) - 8.6 x RPM
Maximum RPM (Standard Wheel) - 716
Maximum RPM (Reinforced Wheel) - 748
Maximum BHP - $12.6 \times (\text{RPM}/1000)^3$
Maximum Motor Frame - 213T
Approx. Ship Wt. (Less Motor) - 374 lbs.
Roof Curb - RCG, RCA - 40
Roof Opening - 37-1/2 inches

Material Gauges

Top Cap Lid - .063
Top Cap Cylinder - .050
Baffle - .080
Base - .080

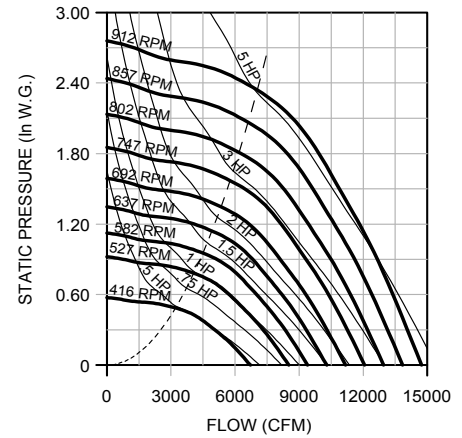
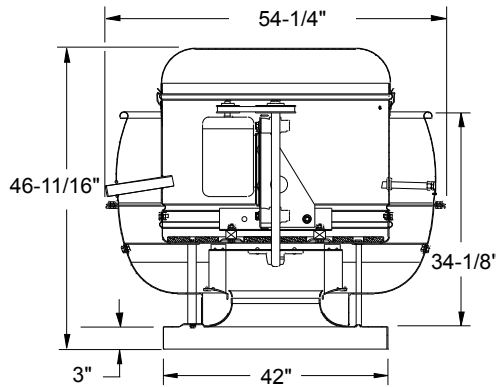


330 ACRUB-HP / ACSC-HP

Wheel Diameter - 33 inches
Tip Speed (FPM) - 8.6 x RPM
Maximum RPM (Standard Wheel) - 830
Maximum RPM (Reinforced Wheel) - 912
Maximum BHP - $7.0 \times (\text{RPM}/1000)^3$
Maximum Motor Frame - 213T
Approx. Ship Wt. (Less Motor) - 374 lbs.
Roof Curb - RCG, RCA - 40
Roof Opening - 37-1/2 inches

Material Gauges

Top Cap Lid - .063
Top Cap Cylinder - .050
Baffle - .080
Base - .080

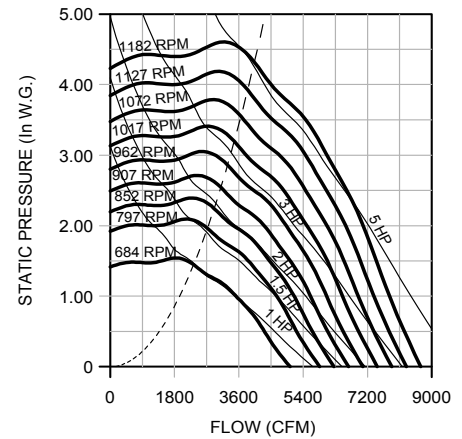
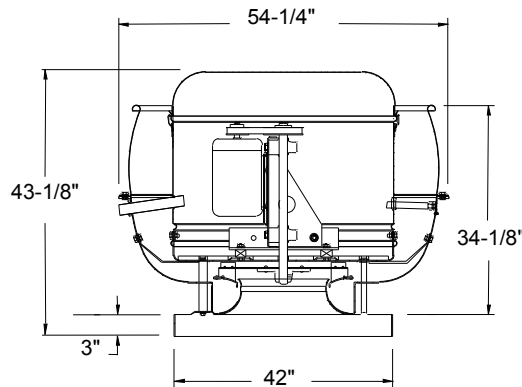


330 ACRUB-XP / ACSC-XP

Wheel Diameter - 33 inches
Tip Speed (FPM) - 8.6 x RPM
Maximum RPM - 1182
Maximum BHP - $3.21 \times (\text{RPM}/1000)^3$
Maximum Motor Frame - 213T
Approx. Ship Wt. (Less Motor) - 374 lbs.
Roof Curb - RCG, RCA - 40
Roof Opening - 37-1/2 inches

Material Gauges

Top Cap Lid - .063
Top Cap Cylinder - .050
Baffle - .080
Base - .080



Performance certified is for Installation Type A: free inlet, free outlet. Power rating (BHP) does not include transmission losses. Performance ratings do not include the effects of appurtenances (accessories). The sound ratings shown are loudness values in fan sones at 5 ft. (1.5m) in a hemispherical free field calculated per AMCA Standard 301. Values shown are for Installation Type A: free inlet hemispherical sone levels.

330 ACRUB / ACSC

Catalog Number	Mtr. HP/ Drv. Wt.	Fan RPM	Tip Speed	CFM at Static Pressure																					
				0.000" SP		0.125" SP		0.250" SP		0.375" SP		0.500" SP		0.625" SP		0.750" SP		0.875" SP		1.000" SP		1.250" SP		1.500" SP	
				Sone	BHP	Sone	BHP	Sone	BHP	Sone	BHP	Sone	BHP	Sone	BHP	Sone	BHP	Sone	BHP	Sone	BHP	Sone	BHP	Sone	BHP
330R5B 330SC5B	1/2 23 lbs.	341	2946	7650	6920	6050	4379																		
330R6B 330SC6B	3/4 31 lbs.	393	3395	8817	8189	7512	6630	5013																	
330R7B 330SC7B	1 36 lbs.	433	3740	9714	9147	8551	7866	6934																	
330R8B 330SC8B	1-1/2 38 lbs.	498	4302	11173	10681	10176	9639	9024	8243	7127															
330R9B 330SC9B	2 50 lbs.	523	4518	11734	11265	10787	10286	9734	9066	8220	6813														
330R10B 330SC10B	3 74 lbs.	588	5079	13192	12776	12354	11921	11468	10974	10400	9711	8849													
330R11B 330SC11B	5 98 lbs.	689	5952	15458	15103	14746	14384	14014	13632	13231	12798	12312	11122	9180											

330 ACRUB-HP / ACSC-HP

Catalog Number	Mtr. HP/ Drv. Wt.	Fan RPM	Tip Speed	CFM at Static Pressure																					
				0.250" SP		0.375" SP		0.500" SP		0.750" SP		1.000" SP		1.250" SP		1.500" SP		1.750" SP		2.000" SP		2.250" SP		2.500" SP	
				Sone	BHP	Sone	BHP	Sone	BHP	Sone	BHP	Sone	BHP	Sone	BHP	Sone	BHP	Sone	BHP	Sone	BHP	Sone	BHP	Sone	BHP
330RH5B 330SCH5B	1/2 23 lbs.	416	3593	5392	4522																				
330RH6B 330SCH6B	3/4 31 lbs.	479	4138	6641	5951	5189																			
330RH7B 330SCH7B	1 36 lbs.	528	4561	7553	6985	6319	4552																		
330RH8B 330SCH8B	1-1/2 38 lbs.	567	4898	8259	7756	7173	5850																		
330RH9B 330SCH9B	2 50 lbs.	668	5771	10037	9640	9212	8210	7104																	
330RH10B 330SCH10B	3 74 lbs.	718	6203	10900	10537	10153	9286	8292	7157																
330RH11B 330SCH11B	5 98 lbs.	839	7248	12958	12654	12343	11680	10930	10083	9215	8146														

330 ACRUB-XP / ACSC-XP

Catalog Number	Mtr. HP/ Drv. Wt.	Fan RPM	Tip Speed	CFM at Static Pressure																					
				1.000" SP		1.250" SP		1.500" SP		1.750" SP		2.000" SP		2.250" SP		2.500" SP		3.000" SP		3.500" SP		4.000" SP		4.500" SP	
				Sone	BHP	Sone	BHP	Sone	BHP	Sone	BHP	Sone	BHP	Sone	BHP	Sone	BHP	Sone	BHP	Sone	BHP	Sone	BHP	Sone	BHP
330RX7B 330SCX7B	1 36 lbs.	684	5909	3521	2913																				
330RX8B 330SCX8B	1-1/2 38 lbs.	735	6349	4058	3615	2932																			
330RX9B 330SCX9B	2 50 lbs.	826	7136	4922	4580	4187	3731	3045																	
330RX10B 330SCX10B	3 74 lbs.	930	8034	5798	5560	5269	4925	4576	4124	3496															
330RX11B 330SCX11B	5 98 lbs.	1057	9131	6822	6623	6419	6190	5918	5611	5305	4463														

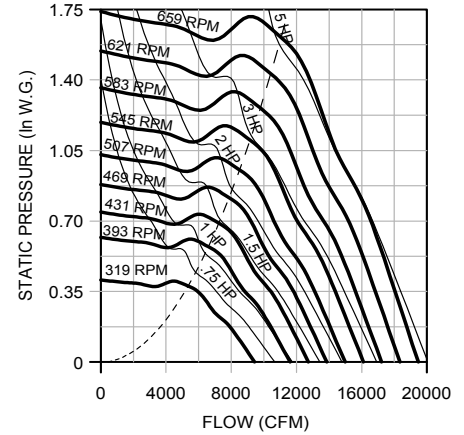
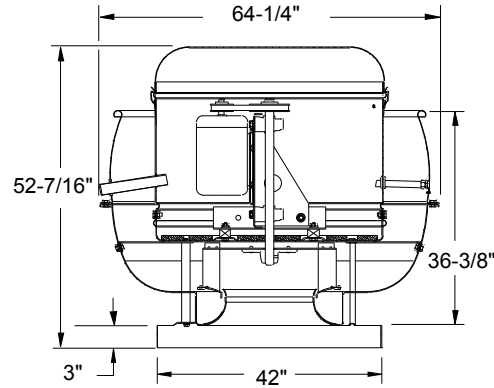
Performance certified is for Installation Type A: free inlet, free outlet. Power rating (BHP) does not include transmission losses. Performance ratings do not include the effects of appurtenances (accessories). The sound ratings shown are loudness values in fan sones at 5 ft. (1.5m) in a hemispherical free field calculated per AMCA Standard 301. Values shown are for Installation Type A: free inlet hemispherical sone levels. **Shaded area indicates reinforced wheel required.**

365 ACRUB / ACSC

Wheel Diameter - 36.5 inches
Tip Speed (FPM) - 9.6 x RPM
Maximum RPM (Standard Wheel) - 624
Maximum RPM (Reinforced Wheel) - 659
Maximum BHP - $18.3 \times (\text{RPM}/1000)^3$
Maximum Motor Frame - 213T
Approx. Ship Wt. (Less Motor) - 420 lbs.
Roof Curb - RCG, RCA - 40
Roof Opening - 37-1/2 inches

Material Gauges

Top Cap Lid - .063
Top Cap Cylinder - .050
Baffle - .080
Base - .080

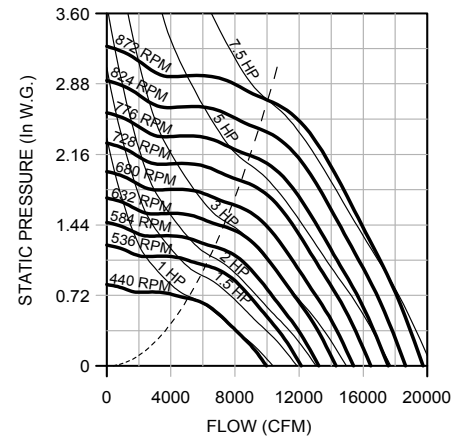
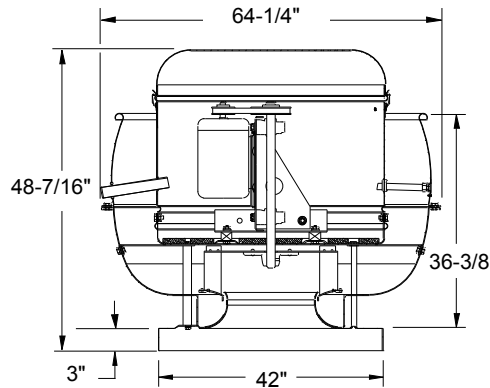


365 ACRUB-HP / ACSC-HP

Wheel Diameter - 36.5 inches
Tip Speed (FPM) - 9.6 x RPM
Maximum RPM (Standard Wheel) - 735
Maximum RPM (Reinforced Wheel) - 872
Maximum BHP - $12.0 \times (\text{RPM}/1000)^3$
Maximum Motor Frame - 213T
Approx. Ship Wt. (Less Motor) - 420 lbs.
Roof Curb - RCG, RCA - 40
Roof Opening - 37-1/2 inches

Material Gauges

Top Cap Lid - .063
Top Cap Cylinder - .050
Baffle - .080
Base - .080

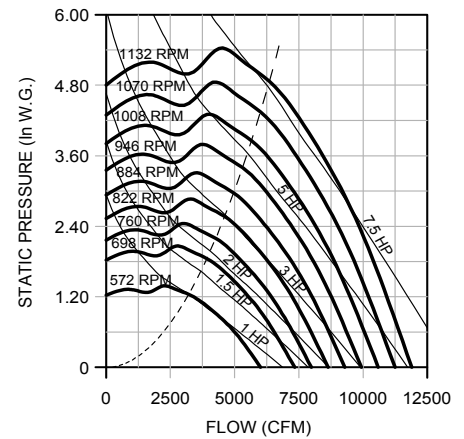
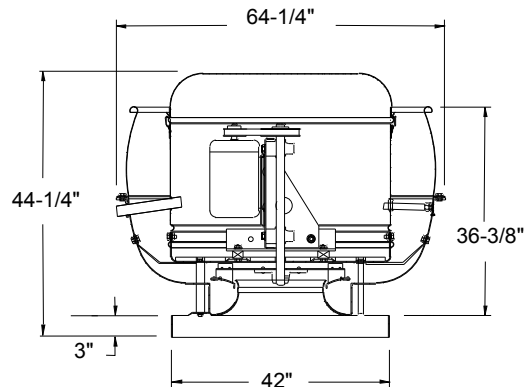


365 ACRUB-XP / ACSC-XP

Wheel Diameter - 36.5 inches
Tip Speed (FPM) - 9.6 x RPM
Maximum RPM - 1132
Maximum BHP - $5.48 \times (\text{RPM}/1000)^3$
Maximum Motor Frame - 213T
Approx. Ship Wt. (Less Motor) - 420 lbs.
Roof Curb - RCG, RCA - 40
Roof Opening - 37-1/2 inches

Material Gauges

Top Cap Lid - .063
Top Cap Cylinder - .050
Baffle - .080
Base - .080



Performance certified is for Installation Type A: free inlet, free outlet. Power rating (BHP) does not include transmission losses. Performance ratings do not include the effects of appurtenances (accessories). The sound ratings shown are loudness values in fan sones at 5 ft. (1.5m) in a hemispherical free field calculated per AMCA Standard 301. Values shown are for Installation Type A: free inlet hemispherical sone levels.

365 ACRUB / ACSC

Catalog Number	Mtr. HP/ Drv. Wt.	Fan RPM	Tip Speed	CFM at Static Pressure																							
				0.000" SP		0.125" SP		0.250" SP		0.375" SP		0.500" SP		0.625" SP		0.750" SP		0.875" SP		1.000" SP		1.250" SP		1.500" SP			
				Sone	BHP	Sone	BHP	Sone	BHP	Sone	BHP	Sone	BHP	Sone	BHP	Sone	BHP	Sone	BHP	Sone	BHP	Sone	BHP	Sone	BHP	Sone	BHP
365R6B 365SC6B	3/4 31 lbs.	319 346	3048 3306	9425		8374		6939		5421																	
				7.6	.52	7.2	.55	6.4	.57	5.6	.59																
365R7B 365SC7B	1 36 lbs.	382	3650	11286		10415		9479		8170		7149															
				10.9	.89	10.5	.93	9.7	.96	8.9	.99	8.2	1.02														
365R8B 365SC8B	1-1/2 38 lbs.	438	4185	12940		12183		11406		10474		9322		8485													
				14.2	1.34	14.1	1.39	13.2	1.43	12.4	1.16	11.6	1.49	10.9	1.53												
365R9B 365SC9B	2 50 lbs.	460 483	4395 4615	13590		12870		12135		11323		10163		9336		8315											
				15.5	1.55	15.5	1.60	14.6	1.65	13.8	1.69	13.0	1.71	12.3	1.75	11.6	1.79										
365R10B 365SC10B	3 74 lbs.	519 555	4959 5303	15333		14696		14050		13385		12617		11551		10780		10070									
				19.2	2.23	19.2	2.29	18.6	2.34	17.8	2.39	17.1	2.43	16.4	2.45	15.7	2.49	15.0	2.55								
365R11B 365SC11B	5 78 lbs.	607 659	5800 6297	17933		17389		16840		16284		15715		15096		14296		13383		12728		11446					
				24	3.57	24	3.64	24	3.70	23	3.77	23	3.82	22	3.87	21	3.90	21	3.93	20	3.98	18.9	4.10				
				19469		18968		18464		17955		17438		16907		16322		15583		14716		13515		12244			
				28	4.57	28	4.64	28	4.71	27	4.78	26	4.85	26	4.90	25	4.95	24	4.99	24	5.02	23	5.13	22	5.26		

365 ACRUB-HP / ACSC-HP

Catalog Number	Mtr. HP/ Drv. Wt.	Fan RPM	Tip Speed	CFM at Static Pressure																							
				0.250" SP		0.375" SP		0.500" SP		0.750" SP		1.000" SP		1.250" SP		1.500" SP		1.750" SP		2.000" SP		2.250" SP		2.500" SP			
				Sone	BHP	Sone	BHP	Sone	BHP	Sone	BHP	Sone	BHP	Sone	BHP	Sone	BHP	Sone	BHP	Sone	BHP	Sone	BHP	Sone	BHP	Sone	BHP
365RH7B 365SCH7B	1 36 lbs.	440	4204	8756		7976		7188																			
				11.3	.97	10.8	1.00	10.1	1.02																		
365RH8B 365SCH8B	1-1/2 38 lbs.	506	4835	10463		9834		9151		7719																	
				15.1	1.44	14.4	1.49	13.9	1.52	12.3	1.56																
365RH9B 365SCH9B	2 50 lbs.	532 557	5083 5322	11111		10540		9893		8585		6358															
				16.7	1.67	16.0	1.72	15.3	1.76	13.9	1.80	12.4	1.72														
365RH10B 365SCH10B	3 74 lbs.	599 640	5723 6115	12749		12289		11757		10608		9416		7466													
				21	2.35	20	2.40	19.4	2.46	18.3	2.54	16.7	2.58	15.1	2.48												
365RH11B 365SCH11B	5 98 lbs.	700 760	6688 7262	15163		14798		14402		13476		12491		11499		10348											
				26	3.70	26	3.76	26	3.83	24	3.96	23	4.05	22	4.10	20	4.11										
365RH12B 365SCH12B	7-1/2 120 lbs.	816 872	7797 8332	17890		17589		17275		16581		15774		14926		14088		13220		12240		10824					
				34	5.81	34	5.88	34	5.96	33	6.11	31	6.26	30	6.37	29	6.45	28	6.51	26	6.52	25	6.38				
				19197		18918		18631		18011		17298		16512		15723		14937		14122		13214		12026			
				38	7.07	38	7.15	38	7.23	37	7.39	36	7.55	35	7.70	34	7.81	32	7.89	31	7.94	29	7.96	28	7.86		

365 ACRUB-XP / ACSC-XP

Catalog Number	Mtr. HP/ Drv. Wt.	Fan RPM	Tip Speed	CFM at Static Pressure																							
				1.000" SP		1.250" SP		1.500" SP		1.750" SP		2.000" SP		2.250" SP		2.500" SP		3.000" SP		3.500" SP		4.000" SP		4.500" SP			
				Sone	BHP	Sone	BHP	Sone	BHP	Sone	BHP	Sone	BHP	Sone	BHP	Sone	BHP	Sone	BHP	Sone	BHP	Sone	BHP	Sone	BHP	Sone	BHP
365RX7B 365SCX7B	1 36 lbs.	572	5465	4040																							
				10.8	1.02																						
365RX8B 365SCX8B	1-1/2 38 lbs.	657	6278	5355		4807		4166																			
				13.3	1.49	13.5	1.54	14.4	1.55																		
365RX9B 365SCX9B	2 50 lbs.	691 724	6602 6918	5829		5344		4784		4112																	
				14.5	1.70	14.4	1.76	15.1	1.81	16.2	1.78																
365RX10B 365SCX10B	3 74 lbs.	778 831	7434 7940	6957		6591		6171		5698		5173		4532													
				18.0	2.31	17.7	2.42	17.6	2.50	17.9	2.56	18.8	2.58	19.9	2.53												
365RX11B 365SCX11B	5 98 lbs.	909 988	8686 9441	7608		7288		6930		6526		6080		5590		5027											
				20	2.74	19.6	2.87	19.5	2.98	19.3	3.05	19.8	3.12	21	3.15	22	3.11										
365RX12B 365SCX12B	7-1/2 120 lbs.	1060 1132	10129 10817	8537		8262		7967		7642		7282		6890		6465		5478									
				23	3.45	23	3.62	23	3.76	22	3.88	22	3.97	22	4.04	23	4.11	25	4.06								
				9456		9211		8955		8684		8390		8069		7721		6950		6050							
				27	4.29	26	4.49	26	4.66	26	4.82	25	4.95	25	5.05	25	5.14	26	5.28	28	5.23						
				10279		10056		9825		9585		9332		9061		8768		8117		7385		6546					
				31	5.17	30	5.39	29	5.59	29	5.78	29	5.94	28	6.09	28	6.21	28	6.39	30	6.52	31	6.47				
				11093		10886		10675		10458		10232		9996		9745		9191		8566		7875		7099			
				35	6.17	34	6.40	33	6.62	33	6.84	32	7.04	32	7.22	32	7.38	31	7.62	31	7.81	33	7.95	35	7.91		

Performance certified is for Installation Type A: free inlet, free outlet. Power rating (BHP) does not include transmission losses. Performance ratings do not include the effects of appurtenances (accessories). The sound ratings shown are loudness values in fan sones at 5 ft. (1.5m) in a hemispherical free field calculated per AMCA Standard 301. Values shown are for Installation Type A: free inlet hemispherical sone levels. **Shaded area indicates reinforced wheel required.**

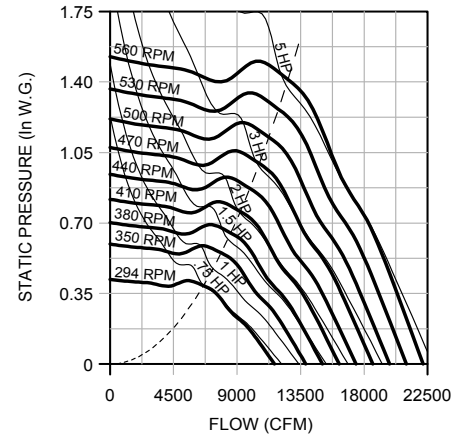
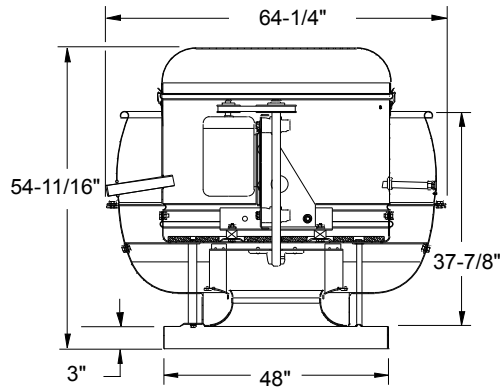
402, 445, 490 ACRUB / ACSC / ACRUB-HP / ACSC-HP Data

402 ACRUB / ACSC

Wheel Diameter - 40.25 inches
Tip Speed (FPM) - 10.5 x RPM
Maximum RPM (Standard Wheel) - 539
Maximum RPM (Reinforced Wheel) - 560
Maximum BHP - 29.8 x (RPM/1000)³
Maximum Motor Frame - 213T
Approx. Ship Wt. (Less Motor) - 484 lbs.
Roof Curb - RCG, RCA - 46
Roof Opening - 43-1/2 inches

Material Gauges

Top Cap Lid - .063
Top Cap Cylinder - .050
Baffle - .080
Base - .080

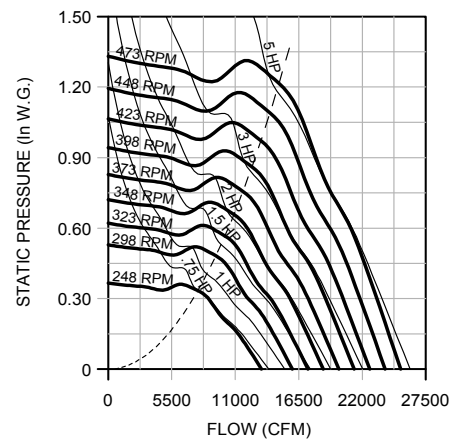
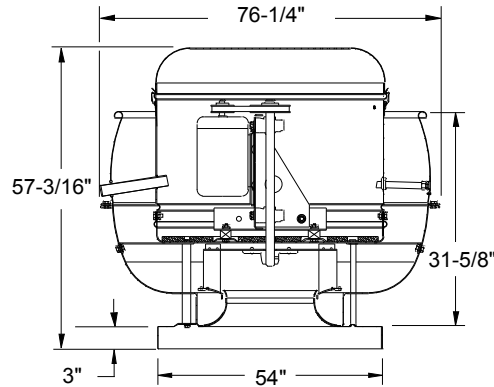


445 ACRUB / ACSC

Wheel Diameter - 44.5 inches
Tip Speed (FPM) - 11.7 x RPM
Maximum RPM (Standard Wheel) - 463
Maximum RPM (Reinforced Wheel) - 473
Maximum BHP - 49.2 x (RPM/1000)³
Maximum Motor Frame - 213T
Approx. Ship Wt. (Less Motor) - 556 lbs.
Roof Curb - RCG, RCA - 52
Roof Opening - 49-1/2 inches

Material Gauges

Top Cap Lid - .063
Top Cap Cylinder - .050
Baffle - .080
Base - .080

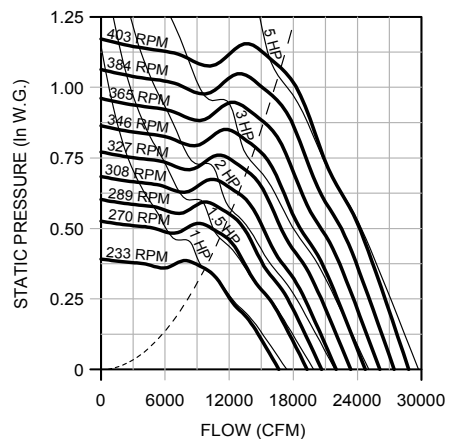
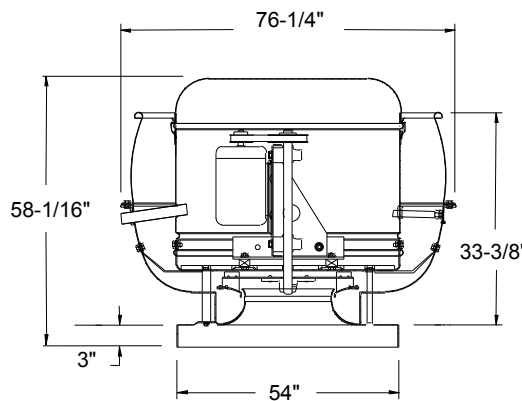


490 ACRUB / ACSC

Wheel Diameter - 49 inches
Tip Speed (FPM) - 12.8 x RPM
Maximum RPM (Standard Wheel) - 360
Maximum RPM (Reinforced Wheel) - 403
Maximum BHP - 79.6 x (RPM/1000)³
Maximum Motor Frame - 213T
Approx. Ship Wt. (Less Motor) - 715 lbs.
Roof Curb - RCG, RCA - 52
Roof Opening - 49-1/2 inches

Material Gauges

Top Cap Lid - .063
Top Cap Cylinder - .050
Baffle - .080
Base - .080



Performance certified is for Installation Type A: free inlet, free outlet. Power rating (BHP) does not include transmission losses. Performance ratings do not include the effects of appurtenances (accessories). The sound ratings shown are loudness values in fan sones at 5 ft. (1.5m) in a hemispherical free field calculated per AMCA Standard 301. Values shown are for Installation Type A: free inlet hemispherical sone levels.

402 ACRUB / ACSC

Catalog Number	Mtr. HP/ Drv. Wt.	Fan RPM	Tip Speed	CFM at Static Pressure																					
				0.000" SP		0.125" SP		0.250" SP		0.375" SP		0.500" SP		0.625" SP		0.750" SP		0.875" SP		1.000" SP		1.250" SP		1.500" SP	
				Sone	BHP	Sone	BHP	Sone	BHP	Sone	BHP	Sone	BHP	Sone	BHP	Sone	BHP	Sone	BHP	Sone	BHP	Sone	BHP	Sone	BHP
402R6B 402SC6B	3/4 31 lbs.	294	3098	11648		10390		8682		7054															
				8.1	.66	7.6	.70	6.8	.73	6.0	.76														
402R7B 402SC7B	1 36 lbs.	324	3414	12836		11700		10378		8833															
				9.7	.88	9.3	.93	8.6	.96	7.7	.99														
402R8B 402SC8B	1-1/2 38 lbs.	348	3667	13787		12732		11600		10011		8786													
				11.2	1.09	10.9	1.15	10.0	1.19	9.2	1.21	8.4	1.26												
402R9B 402SC9B	2 50 lbs.	392	4130	14738		13752		12727		11292		10094													
				12.7	1.34	12.5	1.39	11.7	1.44	10.9	1.47	10.0	1.51												
402R10B 402SC10B	3 74 lbs.	441	4647	15530		14596		13635		12443		11075		10008											
				14.1	1.57	13.9	1.62	13.1	1.67	12.2	1.71	11.4	1.74	10.7	1.79										
402R11B 402SC11B	5 98 lbs.	515	5426	16283		15393		14482		13456		12024		11041		9511									
				15.4	1.80	15.3	1.87	14.5	1.92	13.7	1.96	12.9	1.99	12.1	2.04	11.3	2.07								
402R10B 402SC10B	3 74 lbs.	471	4963	17472		16642		15799		14910		13702		12517		11618									
				17.4	2.23	17.4	2.29	16.7	2.36	15.9	2.41	15.1	2.44	14.4	2.48	13.7	2.53								
402R11B 402SC11B	5 98 lbs.	560	5900	18660		17884		17098		16289		15355		14058		13119		12256							
				19.6	2.71	19.6	2.79	18.9	2.85	18.1	2.91	17.4	2.95	16.7	2.98	16.0	3.04	15.3	3.10						
402R11B 402SC11B	5 98 lbs.	560	5900	20403		19694		18979		18250		17487		16555		15347		14475		13714					
				23	3.55	23	3.63	22	3.70	22	3.77	21	3.83	20	3.87	19.5	3.90	18.8	3.96	18.2	4.02				
402R11B 402SC11B	5 98 lbs.	560	5900	22186		21534		20878		20214		19536		18809		17911		16786		15939		14485			
				26	4.56	26	4.65	26	4.73	25	4.81	24	4.88	23	4.93	23	4.98	22	5.01	21	5.07	20	5.21		

445 ACRUB / ACSC

Catalog Number	Mtr. HP/ Drv. Wt.	Fan RPM	Tip Speed	CFM at Static Pressure																					
				0.000" SP		0.125" SP		0.250" SP		0.375" SP		0.500" SP		0.625" SP		0.750" SP		0.875" SP		1.000" SP		1.250" SP		1.500" SP	
				Sone	BHP	Sone	BHP	Sone	BHP	Sone	BHP	Sone	BHP	Sone	BHP	Sone	BHP	Sone	BHP	Sone	BHP	Sone	BHP	Sone	BHP
445R6B 445SC6B	3/4 31 lbs.	248	2889	13278		11622		9396																	
				7.2	.66	6.8	.70	5.9	.73																
445R7B 445SC7B	1 36 lbs.	274	3192	14670		13181		11219		9428															
				8.8	.88	8.4	.94	7.5	.97	6.7	1.01														
445R8B 445SC8B	1-1/2 38 lbs.	294	3425	15740		14358		12758		10864															
				10.0	1.09	9.6	1.15	8.8	1.19	8.0	1.23														
445R9B 445SC9B	2 50 lbs.	331	3856	16865		15577		14198		12258		10768													
				11.4	1.34	11.1	1.41	10.3	1.45	9.4	1.49	8.6	1.54												
445R10B 445SC10B	3 74 lbs.	373	4345	17721		16498		15219		13393		11972													
				12.5	1.56	12.3	1.62	11.5	1.68	10.6	1.71	9.8	1.76												
445R11B 445SC11B	5 98 lbs.	436	5079	18578		17412		16208		14633		13043		11553											
				13.7	1.80	13.6	1.86	12.7	1.92	11.9	1.96	11.1	2.01	10.3	2.07										
445R10B 445SC10B	3 74 lbs.	398	4636	19970		18887		17779		16538		14792		13586		11818									
				15.7	2.23	15.7	2.31	14.8	2.37	14.1	2.42	13.2	2.46	12.4	2.52	11.6	2.56								
445R11B 445SC11B	5 98 lbs.	473	5510	21309		20294		19262		18173		16686		15247		14146									
				17.6	2.71	17.6	2.79	16.9	2.86	16.1	2.92	15.3	2.96	14.6	3.01	13.9	3.08								
445R11B 445SC11B	5 98 lbs.	473	5510	23343		22418		21481		20522		19455		17953		16703		15707		14305					
				21	3.56	21	3.65	21	3.73	19.3	3.81	18.6	3.87	17.8	3.90	17.2	3.96	16.5	4.04	15.8	4.11				
445R11B 445SC11B	5 98 lbs.	473	5510	25324		24471		23612		22737		21827		20762		19312		18178		17265					
				24	4.55	24	4.64	24	4.74	23	4.82	22	4.89	21	4.95	20	4.99	19.8	5.05	19.1	5.13				

490 ACRUB / ACSC

Catalog Number	Mtr. HP/ Drv. Wt.	Fan RPM	Tip Speed	CFM at Static Pressure																					
				0.000" SP		0.125" SP		0.250" SP		0.375" SP		0.500" SP		0.625" SP		0.750" SP		0.875" SP		1.000" SP		1.250" SP		1.500" SP	
				Sone	BHP	Sone	BHP	Sone	BHP	Sone	BHP	Sone	BHP	Sone	BHP	Sone	BHP	Sone	BHP	Sone	BHP	Sone	BHP	Sone	BHP
490R7B 490SC7B	1 36 lbs.	233	2988	16655		14719		12081																	
				7.8	.88	7.3	.94	6.5	.97																
490R8B 490SC8B	1-1/2 38 lbs.	251	3219	17941		16152		13825		11666															
				9.0	1.10	8.7	1.16	7.8	1.21	6.9	1.26														
490R9B 490SC9B	2 50 lbs.	282	3617	19156		17486		15564		13259															
				10.3	1.34	9.9	1.41	9.1	1.46	8.3	1.50														
490R10B 490SC10B	3 74 lbs.	317	4066	20157		18572		16856		14496		12543													
				11.4	1.56	11.1	1.63	10.2	1.69	9.3	1.73	8.5	1.80												
490R11B 490SC11B	5 98 lbs.	371	4759	21086		19573		17979		15688		13990													
				12.3	1.78	12.1	1.86	11.3	1.93	10.4	1.97	9.5	2.03												
490R10B 490SC10B	3 74 lbs.	339	4348	22659		21253		19803		17934		15976		14252											
				14.1	2.21	14.0	2.30	13.1	2.37	12.3	2.42	11.4	2.47	10.7	2.55										
490R11B 490SC11B	5 98 lbs.	403	5169	24231		22918		21576		20073		17957		16493		14366									
				16.0	2.71	15.9	2.80	15.1	2.88	14.3	2.94	13.5	2.99	12.7	3.06	11.9	3.11								
490R11B 490SC11B	5 98 lbs.	403	5169	26519		25320		24103		22834		21216		19339		18035		16312							
				18.7	3.55	18.7	3.65	18.0	3.74	17.2	3.82	16.5	3.88	15.7	3.93	15.0	4.01	14.3	4.09						
490R11B 490SC11B	5 98 lbs.	403	5169	28806		27703		26589		25448		24206		22499		20872		19684		18279					
				22	4.55	22	4.66	21	4.76	20	4.86	19.6	4.93	18.8	4.98	18.1	5.04	17.4	5.13	16.7	5.23				

Performance certified is for Installation Type A: free inlet, free outlet. Power rating (BHP) does not include transmission losses

70 - 135 ACWD-EC Data

Catalog Number	HP	Fan RPM	Tip Speed	Max Watts	CFM at Static Pressure																							
					0.00" SP		0.125" SP		0.250" SP		0.375" SP		0.500" SP		0.625" SP		0.750" SP		0.875" SP		1.000" SP		1.250" SP		1.500" SP			
					Sone	Watts	Sone	Watts	Sone	Watts	Sone	Watts	Sone	Watts	Sone	Watts	Sone	Watts	Sone	Watts	Sone	Watts	Sone	Watts	Sone	Watts	Sone	Watts
70W17DEC	1/4	429	784	5	74																							
					0.2	5																						
		861	1581	12	149																							
					1.6	12																						
		1293	2369	25	223		140																					
4.7	25				4.1	21																						
1725	3160	49	298		238		172		94																			
			6.4	49	5.7	45	5.0	38	4.3	30																		
90W17DEC	1/4	465	1095	7	195																							
					0.2	7																						
		885	2085	24	372		218																					
					3.4	24	2.5	20																				
		1305	3074	62	548		456		345		190																	
8.6	62				7.7	58	6.9	53	5.9	41																		
1725	4064	132	725		659		583		500		405		289															
			12.8	132	12.1	128	11.4	124	10.7	117	9.9	107	9.0	90														
100W17DEC	1/4	468	1225	7	239																							
					0.2	7																						
		887	2322	28	454		305																					
					2.9	28	2.7	26																				
		1306	3419	75	668		578		470																			
7.7	75				7.6	74	7.4	70																				
1725	4516	163	882		817		744		664		572		470															
			11.5	163	11.5	162	11.4	159	11.3	154	10.9	147	10.5	137														
101W17DEC	1/4	468	1225	6	260																							
					0.2	6																						
		887	2322	23	494		392																					
					2.9	21	2.7	23																				
		1306	3419	61	727		653		589		512		359															
7.7	54				7.6	56	7.4	59	6.9	61	6.5	55																
1725	4516	131	960		902		850		803		750		690		626		465											
			11.5	114	11.5	117	11.4	121	11.3	124	10.9	128	10.5	131	10.2	129	9.9	116										
120W17DEC	1/2	471	1479	12	484																							
					0.8	12																						
		889	2792	55	914		795		651																			
					4.9	50	4.8	54	4.1	55																		
		1307	4106	156	1343		1264		1182		1093		992		879													
11.5	141				11.5	146	11.2	152	10.7	155	10.1	156	9.5	155														
1725	5419	346	1773		1713		1652		1591		1527		1459		1386		1307		1224									
			17.6	311	17.6	318	17.6	326	17.4	332	17.1	339	16.7	343	16.4	346	16.1	346	15.8	344								
135W17DEC	3/4	561	1982	31	845		607																					
					2.3	29	1.9	31																				
		949	3354	118	1429		1303		1165		1006																	
					7.4	106	7.4	112	6.9	117	6.3	118																
		1337	4725	311	2014		1925		1835		1740		1638		1526		1412		1284									
15.1	276				15.1	285	15.1	294	14.7	301	14.2	307	13.5	309	13.1	311	12.7	309										
1725	6096	653	2598		2529		2460		2390		2319		2245		2167		2085		1998		1820		1606					
			22	578	22	590	22	602	22	613	22	623	22	632	21	640	21	646	21	649	20	653	19.5	644				

Performance certified is for Installation Type A: free inlet, free outlet. Performance ratings do not include the effects of appurtenances (accessories). The sound ratings shown are loudness values in fan sones at 5 ft. (1.5m) in a hemispherical free field calculated per AMCA Standard 301. Values shown are for Installation Type A: free inlet hemispherical sone levels.

Catalog Number	Mtr. HP	Fan RPM	Tip Speed	Max. Watts	CFM at Static Pressure																					
					0.000" SP		0.125" SP		0.250" SP		0.375" SP		0.500" SP		0.625" SP		0.750" SP		0.875" SP		1.000" SP		1.250" SP		1.500" SP	
					Sone	BHP	Sone	BHP	Sone	BHP	Sone	BHP	Sone	BHP	Sone	BHP	Sone	BHP	Sone	BHP	Sone	BHP	Sone	BHP	Sone	BHP
70W10DL	1/25	1160	2123	72	100	56																				
70W10DM		1150	2105	75	145	76																				
70W10DH		1050	1922	80	194	89																				
70W15DL	1/20	1720	3112	86	149	117	94																			
70W15DM		1680	3057	92	211	169	116																			
70W15DH		1550	2837	92	274	210	151																			
90W10DL	1/25	1130	2655	80	306	241	167																			
90W10DM		1110	2596	85	391	299	184																			
90W10DH		1050	2478	85	470	353	201																			
90W15DL	1/8	1710	4047	95	462	422	383	340	297	246	168															
90W15DM		1680	3841	118	584	526	467	405	325	242	172															
90W15DH		1550	3658	132	696	616	533	456	384	263	166															
100W10DL	1/25	1100	2882	89	370	304	227																			
100W10DM		1090	2817	90	435	358	256	124																		
100W10DH		1050	2751	94	554	424	261																			
100W15DL	1/8	1650	4362	130	549	509	468	424	376	320	254	177														
100W15DM		1640	4258	139	656	591	537	477	415	346	271	173														
100W15DH		1550	4061	169	816	727	641	554	449	372	240															
101W10D	1/25	1050	2749	-	585	504	399																			
101W11D	1/4	1140	2985	-	635	560	479																			
101W15D	1/8	1550	4058	-	864	808	754	697	628	484																
101W17D	1/6	1725	4516	-	961	911	862	813	760	695	569															
120W10D	1/6	1075	3376	-	1095	998	892	779																		
120W11D	1/6	1140	3581	-	1161	1070	971	868	733																	
120W13D	1/4*	1300	4084	-	1324	1244	1161	1072	981	867																
120W15D		1550	4869	-	1579	1512	1444	1372	1298	1223	1143	1047	872													
120W17D	1/3	1725	5417	-	1757	1697	1637	1574	1509	1442	1374	1304	1227	946												
135W10D	1/6	1075	3795	-	1656	1550	1441	1324	1177																	
135W11D	1/6	1140	4029	-	1756	1657	1555	1447	1325	1140	1325															
135W13D	1/2*	1300	4595	-	2002	1915	1827	1736	1640	1535	1640	1152														
135W15D		1550	5478	-	2387	2315	2241	2167	2091	2012	2091	1841	1736	1358												
135W17D	3/4	1725	6089	-	2657	2592	2526	2459	2392	2323	2253	2180	2103	1922	1614											

Performance certified is for Installation Type A: free inlet, free outlet. Performance ratings do not include the effects of appurtenances (accessories). Speed (RPM) shown for models 70 - 100 is nominal. Performance is based on actual speed of test. Speed (RPM) for all other models is constant and based on actual speed of test. The sound ratings shown are loudness values in fan sones at 5 ft. (1.5m) in a hemispherical free field calculated per AMCA Standard 301. Values shown are for Installation Type A: free inlet hemispherical sone levels. *Motor is a 2-speed 1300/1500 RPM motor.

150 ACWDEC-HP/165-180 ACWDEC-XP Data

150 ACWDEC-HP

Catalog Number	HP	Fan RPM	Tip Speed	Max Watts	CFM at Static Pressure																					
					0" S.P.		0.125" SP		0.250" SP		0.375" SP		0.500" SP		0.625" SP		0.750" SP		0.875" SP		1.000" SP		1.250" SP		1.500" SP	
					Sone	Watts	Sone	Watts	Sone	Watts	Sone	Watts	Sone	Watts	Sone	Watts	Sone	Watts	Sone	Watts	Sone	Watts	Sone	Watts	Sone	Watts
150WH17DEC	1/2	543	2132	20	465		355																			
					2.0	17	1.4	20																		
		937	3679	78	816		756		692		621		548		451											
					6.1	66	5.7	73	5.3	80	5.0	86	4.8	92	4.6	90										
		1331	5226	209	1167		1125		1083		1039		993		946		896		845		793		664			
					10.9	176	10.7	186	10.5	197	10.3	207	10.1	217	9.8	226	9.5	234	9.2	242	9.0	251	8.7	250		
1725	6774	443	1518		1486		1454		1421		1388		1354		1320		1284		1248		1171		1093			
			16.4	376	16.3	389	16.1	402	16.0	416	15.8	429	15.7	443	15.5	456	15.3	469	15.0	481	14.6	501	14.2	522		

165-180 ACWDEC-XP

Catalog Number	HP	Fan RPM	Tip Speed	Max Watts	CFM at Static Pressure																					
					0" S.P.		0.125" SP		0.250" SP		0.375" SP		0.500" SP		0.625" SP		0.750" SP		0.875" SP		1.000" SP		1.250" SP		1.500" SP	
					Sone	Watts	Sone	Watts	Sone	Watts	Sone	Watts	Sone	Watts	Sone	Watts	Sone	Watts	Sone	Watts	Sone	Watts	Sone	Watts	Sone	Watts
165WX17DEC	1/2	528	2280	20	465		350																			
					2.0	17	1.4	20																		
		927	4004	92	816		756		692		621		548		451											
					6.1	66	5.7	73	5.3	80	5.0	86	4.8	92	4.6	90										
		1326	5727	251	1167		1125		1083		1039		993		946		896		845		793		664			
					10.9	176	10.7	186	10.5	197	10.3	207	10.1	217	9.8	226	9.5	234	9.2	242	9.0	251	8.7	250		
1725	7451	522	1518		1486		1454		1421		1388		1354		1320		1284		1248		1171		1093			
			16.4	376	16.3	389	16.1	402	16.0	416	15.8	429	15.7	443	15.5	456	15.3	469	15.0	481	14.6	501	14.2	522		
180WX17DEC	1/4	555	2615	37	639		524		385																	
					2.6	28	2.1	34	1.8	37																
		945	4456	149	1089		1022		954		886		819		736		636		534							
					7.4	107	7.0	116	6.6	125	6.3	133	6.1	139	6.0	146	6.1	149	6.2	148						
		1335	6291	400	1538		1491		1443		1395		1347		1298		1251		1205		1157		1038		897	
					13.3	280	13.0	293	12.6	307	12.3	320	12.0	332	11.6	344	11.4	354	11.3	364	11.2	372	11.1	390	11.5	400
1725	8128	774	1987		1950		1914		1877		1840		1803		1766		1728		1691		1617		1545			
			20	589	19.7	607	19.4	624	19.1	641	18.8	658	18.5	675	18.2	691	18.1	707	17.9	722	17.7	750	17.6	774		

Performance certified is for Installation Type A: free inlet, free outlet. Performance ratings do not include the effects of appurtenances (accessories). The sound ratings shown are loudness values in fan sones at 5 ft. (1.5m) in a hemispherical free field calculated per AMCA Standard 301. Values shown are for Installation Type A: free inlet hemispherical sone levels.

Data ACWD 150 - 180 / 150-195 ACWD-HP / 165-195 ACWD-XP

150-180 ACWD

Cat. Number	Mtr. HP	Fan RPM	Tip Speed	CFM at Static Pressure												
				0.000" SP	0.125" SP	0.250" SP	0.375" SP	0.500" SP	0.625" SP	0.750" SP	0.875" SP	1.000" SP	1.250" SP	1.500" SP		
				Sone BHP	Sone BHP	Sone BHP	Sone BHP	Sone BHP	Sone BHP	Sone BHP	Sone BHP	Sone BHP	Sone BHP	Sone BHP	Sone BHP	
150W10D	1/3	1075	4225	2272	2154	2035	1910	1775	1601	1258						
				12.1 .23	12.1 .25	11.9 .26	11.4 .27	10.8 .27	10.2 .27	9.6 .25						
150W11D	1/3	1140	4477	2409	2298	2186	2071	1948	1808	1948						
				13.9 .27	13.9 .29	13.7 .31	13.3 .32	12.7 .32	12.1 .32	12.7 .32						
150W13D	3/4*	1300	5105	2747	2650	2553	2453	2351	2244	2351	1989	1791				
				18.0 .41	18.0 .43	18.0 .45	17.6 .46	17.2 .47	16.6 .47	17.2 .47	15.6 .48	15.1 .48				
150W15D	3/4*	1550	6087	3275	3194	3113	3030	2947	2862	2947	2685	2590	2365	1979		
				24 .69	24 .72	24 .74	24 .76	23 .78	23 .79	23 .78	22 .80	22 .81	21 .82	21		
165W10D	1/3	1075	4644	2925	2728	2543	2359	2156	1981	1696						
				14.9 .37	14.9 .38	14.8 .39	14.4 .39	13.8 .39	13.3 .39	12.8 .39						
165W11D	3/4	1140	4924	3194	3041	2894	2753	2602	2428	2602	2050					
				16.9 .48	16.9 .50	16.9 .52	16.4 .54	16.0 .55	15.4 .55	16.0 .55	14.4 .55					
180W10D	3/4*	1075	5066	4065	3936	3805	3667	3518	3344	3518	2899	2646				
				16.4 .61	16.4 .63	16.3 .65	15.6 .67	14.9 .69	14.4 .70	14.9 .69	13.6 .70	13.2 .69				
180W11D	3/4*	1140	5369	4310	4189	4066	3939	3803	3653	3474	3261	3047				
				17.9 .73	17.9 .75	17.9 .77	17.2 .79	16.5 .81	15.9 .83	15.5 .84	15.2 .84	14.8 .83				

150-195 ACWD-HP

Cat. Number	Mtr. HP	Fan RPM	Tip Speed	CFM at Static Pressure												
				0.125" SP	0.250" SP	0.375" SP	0.500" SP	0.625" SP	0.750" SP	0.875" SP	1.000" SP	1.250" SP	1.500" SP	1.750" SP		
				Sone BHP	Sone BHP	Sone BHP	Sone BHP	Sone BHP	Sone BHP	Sone BHP	Sone BHP	Sone BHP	Sone BHP	Sone BHP	Sone BHP	
150WH10D	1/6	1075	4222	988	913	817	711	579								
				6.4 .12	6.5 .12	6.5 .13	6.4 .13	5.9 .13								
150WH11D	1/4	1140	4477	1055	987	904	804	696	566							
				7.2 .14	7.2 .15	7.3 .15	7.3 .15	6.9 .15	6.4 .15							
150WH13D	1/3*	1300	5105	1220	1163	1099	1022	934	846	736	623					
				9.2 .20	9.2 .21	9.1 .22	9.3 .23	9.5 .23	9.1 .23	8.6 .23	8.1 .22					
150WH15D	3/4*	1550	6087	1475	1428	1379	1326	1266	1196	1122	1049	872	668			
				12.4 .34	12.4 .35	12.3 .36	12.2 .37	12.3 .38	12.4 .38	12.4 .39	12.3 .39	11.4 .38	10.6 .36			
150WH17D	1/2	1725	6774	1651	1609	1566	1521	1473	1420	1359	1293	1161	1005	834		
				14.8 .47	14.8 .48	14.8 .49	14.8 .50	14.7 .51	14.7 .52	14.6 .53	14.6 .53	14.4 .53	13.7 .53	13.1 .51		
165WH10D	1/3	1075	4644	1830	1742	1633	1514	1375	1175							
				8.9 .22	8.7 .23	8.5 .24	8.3 .25	8.1 .25	8.1 .25							
165WH11D	1/3	1140	4924	1950	1869	1772	1662	1546	1393	1194						
				9.9 .26	9.7 .27	9.5 .28	9.3 .29	9.1 .30	9.0 .30	9.0 .29						
165WH13D	3/4*	1300	5616	2244	2176	2100	2012	1915	1816	1704	1556					
				12.6 .38	12.6 .39	12.3 .41	11.9 .42	11.6 .43	11.6 .44	11.4 .44	11.5 .44					
165WH15D	3/4*	1550	6696	2699	2643	2585	2522	2451	2373	2292	2210	2027	1765	1428		
				16.5 .63	16.5 .65	16.5 .67	16.2 .69	15.9 .70	15.6 .72	15.4 .73	15.1 .74	14.8 .75	14.8 .74	15.0 .72		
180WH11D	1/2	1140	5372	2864	2762	2655	2537	2407	2261	2109	1944					
				13.7 .43	13.7 .44	13.5 .46	13.2 .47	12.7 .48	12.2 .49	11.6 .50	11.1 .51					
195WH10D	3/4	1075	5488	3522	3402	3274	3127	2964	2791	2604	2392					
				14.7 .57	14.7 .60	14.3 .62	13.9 .63	13.3 .65	12.6 .66	11.9 .67	11.2 .67					
195WH11D	3/4	1140	5820	3748	3637	3519	3388	3240	3083	2917	2738	2296				
				16.4 .67	16.4 .70	16.2 .73	15.7 .75	15.3 .76	14.4 .77	13.8 .79	13.1 .80	11.9 .79				

165-195 ACWD-XP

Cat. Number	Mtr. HP	Fan RPM	Tip Speed	CFM at Static Pressure												
				0.125" SP	0.250" SP	0.375" SP	0.500" SP	0.625" SP	0.750" SP	0.875" SP	1.000" SP	1.250" SP	1.500" SP	1.750" SP		
				Sone BHP	Sone BHP	Sone BHP	Sone BHP	Sone BHP	Sone BHP	Sone BHP	Sone BHP	Sone BHP	Sone BHP	Sone BHP	Sone BHP	
165WX10D	1/6	1075	4644	884	833	784	718	648	550							
				7.4 .1	7.1 .1	6.8 .11	6.5 .12	6.3 .12	6.1 .12							
165WX11D	1/4	1140	4924	945	895	850	795	728	662	547						
				8.2 .11	7.9 .12	7.7 .13	7.4 .14	7.1 .14	6.9 .15	6.7 .15						
165WX13D	1/3*	1300	5616	1093	1045	1005	965	918	859	802	741	512				
				10.3 .16	10.1 .17	9.9 .18	9.6 .19	9.4 .2	9.1 .21	8.8 .21	8.7 .22	8.4 .21				
165WX15D	3/4*	1550	6696	1321	1278	1241	1207	1174	1139	1099	1051	954	839	635		
				13.9 .27	13.8 .28	13.6 .3	13.4 .31	13.2 .32	12.9 .33	12.7 .34	12.5 .35	12.0 .36	11.7 .37	11.4 .36		
165WX17D	1/2	1725	7451	1480	1441	1404	1372	1342	1312	1282	1248	1166	1078	988		
				16.3 .37	16.1 .39	16.0 .4	15.8 .41	15.7 .43	15.5 .44	15.3 .45	15.0 .46	14.6 .48	14.2 .49	13.9 .51		
180WX10D	1/3	1075	5066	1160	1102	1041	984	930	857	741	614					
				8.7 .14	8.4 .15	8.0 .16	7.8 .17	7.6 .17	7.6 .18	7.6 .19	7.7 .19					
180WX11D	1/4	1140	5372	1236	1182	1125	1069	1018	964	884	773					
				9.6 .16	9.3 .17	9.0 .19	8.7 .19	8.5 .2	8.4 .21	8.4 .22	8.5 .23					
180WX13D	1/2*	1300	6126	1423	1377	1329	1278	1229	1183	1139	1089	918	698			
				12.3 .24	12.0 .25	11.7 .26	11.3 .28	11.1 .29	10.9 .3	10.8 .31	10.7 .32	10.7 .34	11.0 .32			
180WX15D	3/4*	1550	7304	1713	1675	1636	1595	1553	1511	1470	1430	1356	1266	1112		
				16.9 .39	16.5 .41	16.2 .43	15.8 .44	15.5 .46	15.2 .47	15.0 .49	14.9 .5	14.7 .52	14.5 .54	14.6 .57		
180WX17D	3/4	1725	8129	1914	1880	1846	1810	1774	1736	1698	1660	1589	1522	1448		
				19.7 .54	19.4 .55	19.1 .57	18.8 .59	18.5 .61	18.2 .63	18.1 .64	17.9 .66	17.7 .69	17.6 .71	17.4 .74		
195WX10D	1/3	1075	5488	1497	1429	1362	1296	1226	1150	1066	961					
				9.5 .21	9.1 .22	8.7 .23	8.3 .25	8.0 .26	7.8 .27	7.5 .28	7.2 .28					
195WX11D	1/3	1140	5820	1596	1531	1468	1406	1342	1274	1200	1119	883				
				10.6 .24	10.2 .26	9.7 .27	9.4 .29	9.1 .3	8.8 .31	8.5 .32	8.3 .33	7.7 .33				
195WX13D	3/4*	1300	6637	1837	1780	1723	1669	1614	1559	1501	1440	1307	1129			
				13.7 .35	13.2 .37	12.8 .39	12.3 .41	11.9 .42	11.6 .44	11.3 .45	11.1 .46	10.7 .48	10.1 .5			
195WX15D	3/4*	1550	7913	2210	2162	2114	2067	2021	1975	1929	1883	1787	1684	1571		
				18.8 .59	18.3 .61	17.8 .64	17.4 .66	17.0 .68	16.6 .7	16.2 .72	15.9 .74	15.3 .77	15.0 .79	14.7 .82		

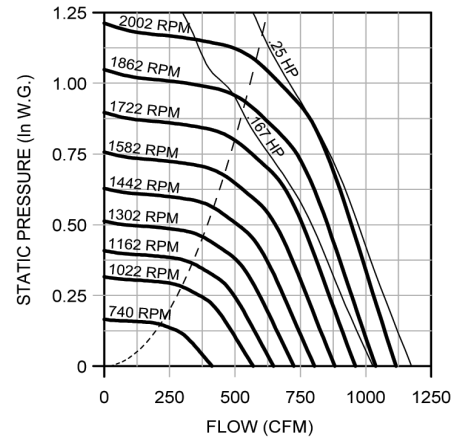
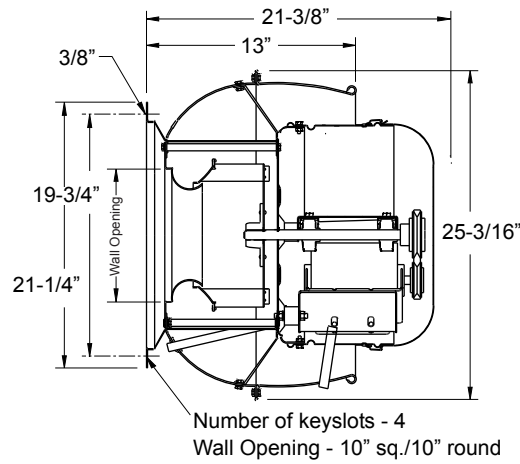
Performance certified is for Installation Type A: free inlet, free outlet. Performance ratings do not include the effects of appurtenances (accessories). Speed (RPM) shown for model 165W10 is nominal. Performance is based on actual speed of test. Speed (RPM) for all other models is constant and based on actual speed of test. The sound ratings shown are loudness values in fan sones at 5 ft. (1.5m) in a hemispherical free field calculated per AMCA Standard 301. Values shown are for Installation Type A: free inlet hemispherical sone levels. *Motor is a 2-speed 1300/1550 RPM motor.

100 ACWB

Wheel Diameter - 10"
Tip Speed (FPM) - 2.6 x RPM
Maximum RPM - 2002
Maximum BHP - .031 x (RPM/1000)³
Maximum Motor Frame - 48
Approx. Ship Wt. (Less Motor) - 30 lbs.
Number of Keyslots - 4 for 3/8" bolt
Wall Opening (Round) - 10"
Wall Opening (Square) - 10"

Material Gauges

Top Cap Lid - .050
Top Cap Cylinder - .040
Baffle - .063
Base - .080

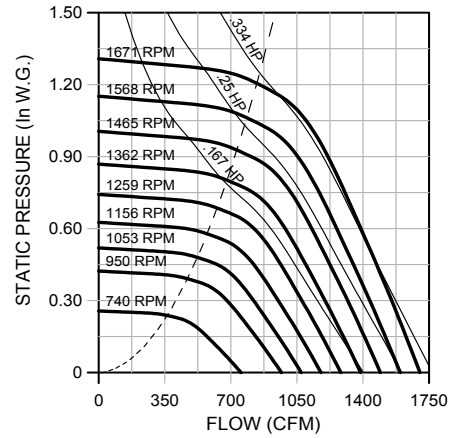
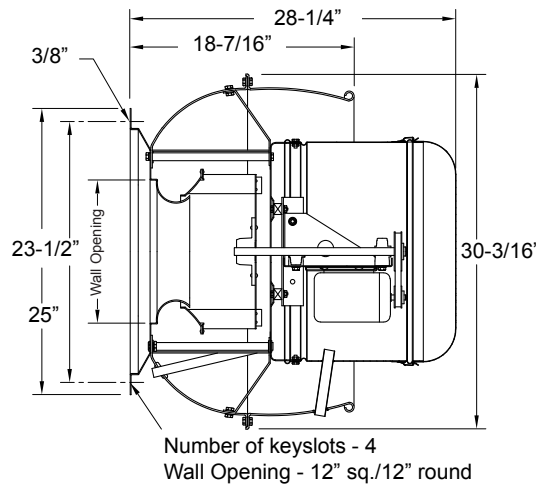


120 ACWB

Wheel Diameter - 12"
Tip Speed (FPM) - 3.1 x RPM
Maximum RPM - 1671
Maximum BHP - .072 x (RPM/1000)³
Maximum Motor Frame - 56
Approx. Ship Wt. (Less Motor) - 60 lbs.
Number of Keyslots - 4 for 3/8" bolt
Wall Opening (Round) - 12"
Wall Opening (Square) - 12"

Material Gauges

Top Cap Lid - .050
Top Cap Cylinder - .040
Baffle - .063
Base - .080

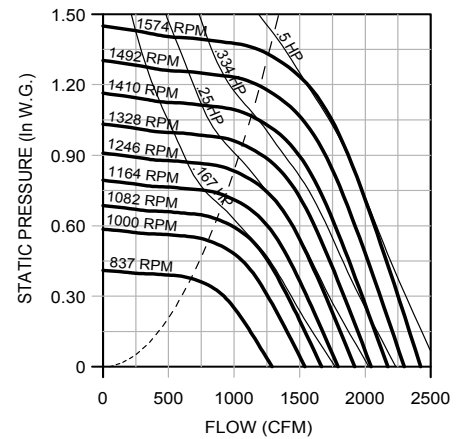
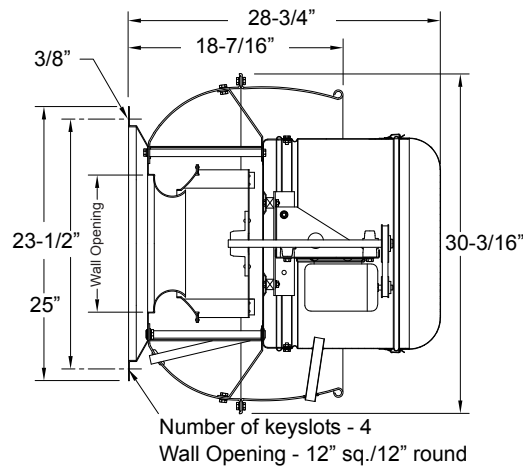


135 ACWB

Wheel Diameter - 13.5"
Tip Speed (FPM) - 3.5 x RPM
Maximum RPM - 1574
Maximum BHP - .13 x (RPM/1000)³
Maximum Motor Frame - 56
Approx. Ship Wt. (Less Motor) - 65 lbs.
Number of Keyslots - 4 for 3/8" bolt
Wall Opening (Round) - 12"
Wall Opening (Square) - 12"

Material Gauges

Top Cap Lid - .050
Top Cap Cylinder - .040
Baffle - .063
Base - .080



Performance certified is for Installation Type A: free inlet, free outlet. Power rating (BHP) does not include transmission losses. Performance ratings do not include the effects of appurtenances (accessories). The sound ratings shown are loudness values in fan sones at 5 ft. (1.5m) in a hemispherical free field calculated per AMCA Standard 301. Values shown are for Installation Type A: free inlet hemispherical sone levels.

100 ACWB

Catalog Number	Mtr. HP/ Drv. Wt.	Fan RPM	Tip Speed	CFM at Static Pressure																					
				0.000" SP		0.125" SP		0.250" SP		0.375" SP		0.500" SP		0.625" SP		0.750" SP		0.875" SP		1.000" SP		1.250" SP		1.500" SP	
				Sone	BHP	Sone	BHP	Sone	BHP	Sone	BHP	Sone	BHP	Sone	BHP	Sone	BHP	Sone	BHP	Sone	BHP	Sone	BHP	Sone	BHP
100W2B	1/6* 15 lbs.	740	1937	412	279																				
				1.7	.01	1.6	.01																		
		940	2460	524	433																				
				3.5	.02	3.3	.02																		
		1140	2984	635	560	479																			
				5.8	.04	5.7	.04	5.3	.05																
		1340	3508	747	683	619	542																		
8.0	.06			7.9	.07	7.7	.07	7.3	.07																
1540	4031	858	802	747	690	619	469																		
		9.8	.10	9.7	.10	9.6	.11	9.3	.11	8.9	.11	8.5	.10												
1742	4560	970	921	872	824	772	709	592																	
		11.7	.14	11.6	.15	11.5	.15	11.4	.16	11.1	.16	10.7	.16	10.3	.16										
100W3B	1/4* 15 lbs.	1807	4730	1007	959	912	865	817	761	714	678	531													
				12.4	.16	12.3	.16	12.3	.17	12.2	.17	11.9	.18	11.5	.18	11.2	.18	10.9	.16						
		1872	4900	1043	997	951	906	860	810	745	626														
				13.1	.17	13.1	.18	13.0	.19	12.9	.19	12.7	.19	12.4	.20	12.1	.20	11.8	.19						
		1937	5071	1079	1035	991	947	903	856	801	714	576													
14.1	.19			14.0	.20	13.9	.21	13.8	.21	13.6	.21	13.2	.22	13.0	.22	12.77	.22	12.4	.20						
2002	5241	1115	1072	1030	988	945	901	851	786	671															
		15.2	.21	15.1	.22	15.0	.23	14.9	.23	14.8	.24	14.4	.24	14.0	.25	13.6	.25	13.3	.24						

*1/6 & 1/4 HP motor available only in single phase ODP type.

120 ACWB

Catalog Number	Mtr. HP/ Drv. Wt.	Fan RPM	Tip Speed	CFM at Static Pressure																					
				0.000" SP		0.125" SP		0.250" SP		0.375" SP		0.500" SP		0.625" SP		0.750" SP		0.875" SP		1.000" SP		1.250" SP		1.500" SP	
				Sone	BHP	Sone	BHP	Sone	BHP	Sone	BHP	Sone	BHP	Sone	BHP	Sone	BHP	Sone	BHP	Sone	BHP	Sone	BHP	Sone	BHP
120W2B	1/6 15 lbs.	904	2840	921	803	673																			
				5.2	.05	5.0	.05	4.4	.05																
		1037	3257	1056	955	845	722																		
				7.0	.07	7.0	.08	6.5	.08	5.9	.08														
		1170	3675	1192	1103	1008	908	788																	
9.2	.10			9.2	.11	8.9	.11	8.2	.12	7.6	.12														
1302	4090	1326	1247	1163	1075	983	871																		
		11.4	.14	11.4	.15	11.1	.16	10.7	.16	10.0	.16	9.4	.16												
120W3B	1/4 15 lbs.	1367	4294	1393	1317	1238	1154	1069	975	832															
				12.2	.16	12.2	.17	12.0	.18	11.7	.18	11.0	.19	10.4	.19	10.0	.19								
		1432	4498	1459	1386	1312	1233	1152	1067	964	747														
13.1	.19			13.1	.20	12.9	.21	12.6	.21	12.0	.21	11.6	.22	11.3	.22	10.9	.20								
1496	4699	1524	1455	1384	1309	1232	1153	1066	944																
		14.0	.21	14.0	.22	13.9	.23	13.6	.24	13.2	.24	12.8	.25	12.5	.25	12.2	.25								
120W4B	1/3 19 lbs.	1549	4866	1578	1511	1443	1371	1297	1222	1142	1045	869													
				14.9	.24	14.9	.25	14.9	.26	14.5	.26	14.2	.27	13.8	.27	13.5	.28	13.2	.28	12.9	.26				
		1602	5032	1632	1567	1502	1433	1361	1289	1214	1130	1015													
				15.8	.26	15.8	.27	15.8	.28	15.5	.29	15.1	.30	14.8	.30	14.5	.30	14.2	.30	13.9	.30				
1655	5199	1686	1623	1560	1494	1425	1355	1284	1208	1116															
		16.6	.29	16.6	.30	16.6	.31	16.3	.32	16.0	.32	15.6	.33	15.3	.33	15.0	.34	14.7	.34						

135 ACWB

Catalog Number	Mtr. HP/ Drv. Wt.	Fan RPM	Tip Speed	CFM at Static Pressure																					
				0.000" SP		0.125" SP		0.250" SP		0.375" SP		0.500" SP		0.625" SP		0.750" SP		0.875" SP		1.000" SP		1.250" SP		1.500" SP	
				Sone	BHP	Sone	BHP	Sone	BHP	Sone	BHP	Sone	BHP	Sone	BHP	Sone	BHP	Sone	BHP	Sone	BHP	Sone	BHP	Sone	BHP
135W2B	1/6 15 lbs.	837	2958	1289	1152	1001	676																		
				5.7	.06	5.6	.07	5.0	.08	4.4	.07														
		957	3382	1474	1355	1230	1081																		
7.6	.10			7.5	.11	7.1	.11	6.5	.11																
1078	3809	1660	1555	1447	1330	1184																			
		9.8	.14	9.8	.15	9.5	.16	8.9	.16	8.3	.16														
135W3B	1/4 15 lbs.	1132	4000	1744	1643	1541	1432	1308	1113																
				11.0	.16	11.0	.17	10.7	.18	10.1	.18	9.5	.19	8.9	.19										
		1186	4191	1827	1731	1634	1532	1420	1275	971															
				12.2	.18	12.2	.20	12.0	.21	11.5	.21	10.8	.22	10.2	.22	9.7	.20								
1240	4382	1910	1819	1726	1629	1527	1406	1219																	
		13.5	.21	13.5	.22	13.3	.23	12.9	.24	12.2	.24	11.6	.25	11.0	.24										
135W4B	1/3 19 lbs.	1306	4615	2012	1925	1837	1747	1652	1548	1415	1182														
				14.7	.24	14.7	.26	14.6	.27	14.1	.28	13.6	.28	12.9	.29	12.4	.29	12.0	.28						
1371	4845	2112	2029	1946	1860	1772	1677	1569	1419	1130															
		15.7	.28	15.7	.30	15.7	.31	15.3	.32	14.9	.33	14.2	.33	13.8	.33	13.5	.33	13.1	.30						
135W5B	1/2 23 lbs.	1473	5206	2269	2192	2115	2036	1955	1871	1781	1677	1538													
				17.4	.35	17.4	.37	17.4	.38	17.1	.40	16.8	.40	16.5	.41	16.1	.41	15.7	.41	15.4	.42				
		1574	5562	2424	2353	2280	2207	2132	2055	1975	1889	1791	1470												
19.5	.43			19.5	.45	19.5	.46	19.3	.48	19.0	.49	18.7	.49	18.3	.50	18.0	.50	17.7	.51	17.1	.49				

Performance certified is for Installation Type A: free inlet, free outlet. Power rating (BHP) does not include transmission losses. Performance ratings do not include the effects of appurtenances (accessories). The sound ratings shown are loudness values in fan sones at 5 ft. (1.5m) in a hemispherical free field calculated per AMCA Standard 301. Values shown are for Installation Type A: free inlet hemispherical sone levels.

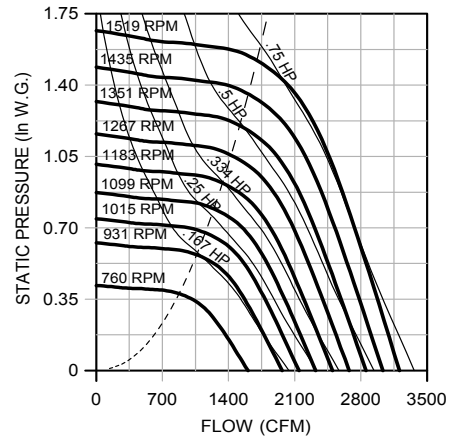
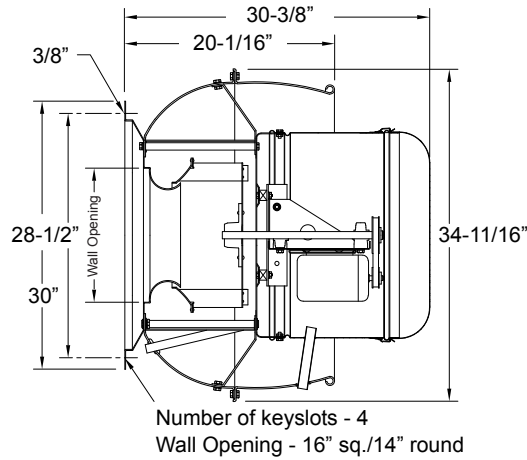
150 ACWB Data

150 ACWB

Wheel Diameter - 15"
Tip Speed (FPM) - 3.9 x RPM
Maximum RPM - 1520
Maximum BHP - .22 x (RPM/1000)³
Maximum Motor Frame - 56
Approx. Ship Wt. (Less Motor) - 70 lbs.
Number of Keyslots - 4 for 3/8" bolt
Wall Opening (Round) - 14"
Wall Opening (Square) - 16"

Material Gauges

Top Cap Lid - .050
Top Cap Cylinder - .040
Baffle - .063
Base - .100

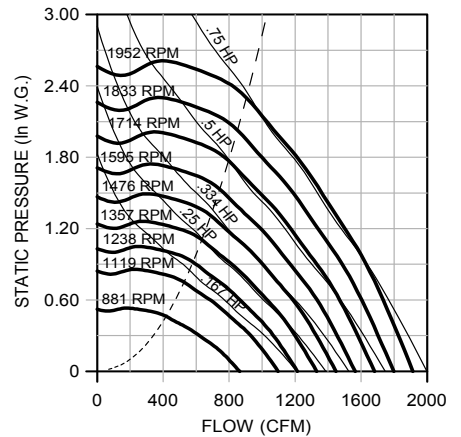
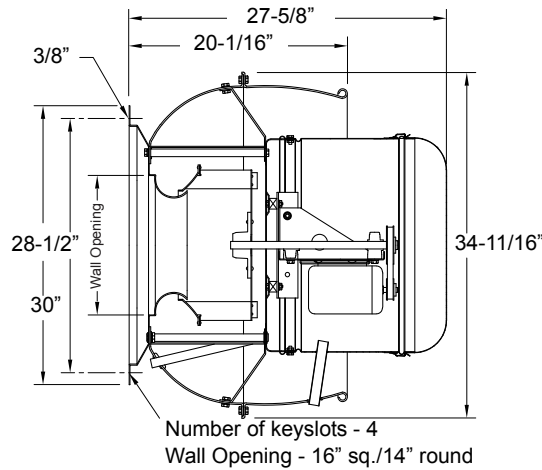


150 ACWB-HP

Wheel Diameter - 15"
Tip Speed (FPM) - 3.9 x RPM
Maximum RPM - 1952
Maximum BHP - .22 x (RPM/1000)³
Maximum Motor Frame - 56
Approx. Ship Wt. (Less Motor) - 70 lbs.
Number of Keyslots - 4 for 3/8" bolt
Wall Opening (Round) - 14"
Wall Opening (Square) - 16"

Material Gauges

Top Cap Lid - .050
Top Cap Cylinder - .040
Baffle - .063
Base - .100



Performance certified is for Installation Type A: free inlet, free outlet. Power rating (BHP) does not include transmission losses. Performance ratings do not include the effects of appurtenances (accessories). The sound ratings shown are loudness values in fan sones at 5 ft. (1.5m) in a hemispherical free field calculated per AMCA Standard 301. Values shown are for Installation Type A: free inlet hemispherical sone levels.

150 ACWB

Catalog Number	Mtr. HP/ Drv. Wt.	Fan RPM	Tip Speed	CFM at Static Pressure																					
				0.000" SP		0.125" SP		0.250" SP		0.375" SP		0.500" SP		0.625" SP		0.750" SP		0.875" SP		1.000" SP		1.250" SP		1.500" SP	
				Sone	BHP	Sone	BHP	Sone	BHP	Sone	BHP	Sone	BHP	Sone	BHP	Sone	BHP	Sone	BHP	Sone	BHP	Sone	BHP	Sone	BHP
150W2B	1/6 15 lbs.	760	2984	1606		1439		1254		889															
		832	3267	1758		1606		1444		1238															
		904	3550	1910		1770		1625		1462		1193													
150W3B	1/4 15 lbs.	972	3817	2054		1924		1790		1647		1468													
		1040	4084	2198		2076		1952		1822		1677		1469											
				11.3 .21		11.3 .22		11.1 .24		10.5 .24		9.9 .25		9.4 .25											
150W4B	1/3 19 lbs.	1149	4512	2428		2318		2207		2093		1971		1835		1648									
				14.1 .28		14.1 .30		14.0 .31		13.6 .32		13.0 .33		12.4 .33		11.8 .33									
150W5B	1/2 23 lbs.	1235	4849	2610		2508		2405		2299		2190		2074		1940		1756							
		1320	5183	2789		2694		2598		2500		2400		2295		2183		2052		1877					
				18.4 .43		18.4 .45		18.4 .47		18.0 .48		17.6 .49		17.1 .50		16.5 .50		16.0 .51		15.7 .51					
150W6B	3/4 31 lbs.	1420	5576	3001		2912		2823		2733		2641		2546		2447		2342		2221		1834			
		1519	5965	3210		3127		3044		2960		2875		2788		2698		2605		2506		2260			
				23 .65		23 .67		23 .70		23 .72		22 .73		22 .75		22 .75		21 .76		21 .76		20 .77			

150 ACWB-HP

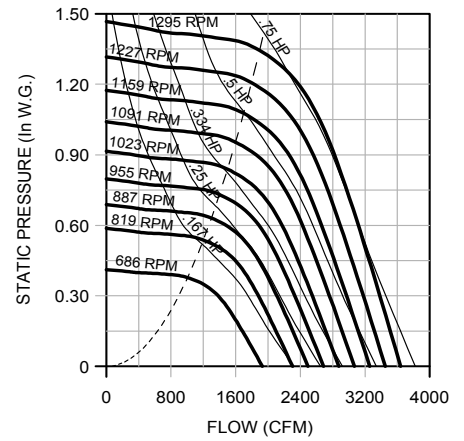
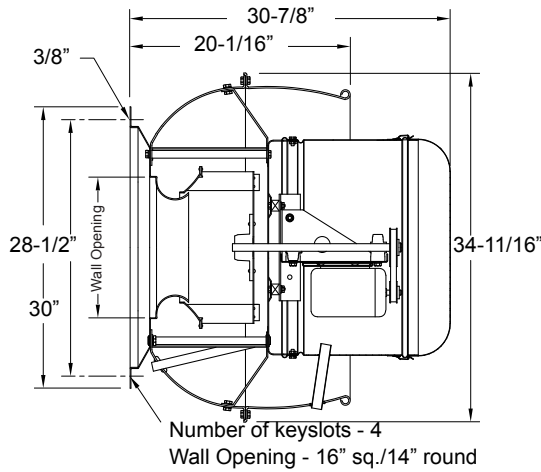
Catalog Number	Mtr. HP/ Drv. Wt.	Fan RPM	Tip Speed	CFM at Static Pressure																					
				0.250" SP		0.375" SP		0.500" SP		0.750" SP		1.000" SP		1.250" SP		1.500" SP		1.750" SP		2.000" SP		2.250" SP		2.500" SP	
				Sone	BHP	Sone	BHP	Sone	BHP	Sone	BHP	Sone	BHP	Sone	BHP	Sone	BHP	Sone	BHP	Sone	BHP	Sone	BHP	Sone	BHP
150WH2B	1/6 15 lbs.	881	3459	672		536		339																	
		1162	4563	1012		932		835		606															
150WH3B	1/4 15 lbs.	1249	4904	1108		1039		954		763		491													
		1336	5246	1202		1141		1069		899		689													
				9.6 .23		9.6 .24		9.8 .24		9.8 .25		8.7 .24													
150WH4B	1/3 19 lbs.	1407	5525	1277		1221		1158		1000		818		587											
		1478	5804	1352		1300		1242		1098		940		743											
150WH5B	1/2 23 lbs.	1587	6232	1466		1419		1368		1245		1102		940		753									
		1696	6660	1579		1536		1489		1384		1253		1118		952		775							
				14.4 .45		14.4 .46		14.3 .47		14.3 .49		14.2 .51		13.9 .50		13.2 .50		12.6 .48							
150WH6B	3/4 31 lbs.	1824	7162	1711		1671		1629		1538		1427		1301		1174		1014		852					
		1952	7665	1842		1805		1766		1685		1591		1477		1361		1239		1087		938			
				18.5 .68		18.5 .69		18.5 .71		18.4 .73		18.3 .75		18.3 .77		18.3 .77		17.8 .77		17.4 .76		17.1 .74			

Performance certified is for Installation Type A: free inlet, free outlet. Power rating (BHP) does not include transmission losses. Performance ratings do not include the effects of appurtenances (accessories). The sound ratings shown are loudness values in fan sones at 5 ft. (1.5m) in a hemispherical free field calculated per AMCA Standard 301. Values shown are for Installation Type A: free inlet hemispherical sone levels.

165 ACWB

Wheel Diameter - 16.5"
Tip Speed (FPM) - 4.3 x RPM
Maximum RPM - 1295
Maximum BHP - .35 x (RPM/1000)³
Maximum Motor Frame - 56
Approx. Ship Wt. (Less Motor) - 75 lbs.
Number of Keyslots - 4 for 3/8" bolt
Wall Opening (Round) - 14"
Wall Opening (Square) - 16"

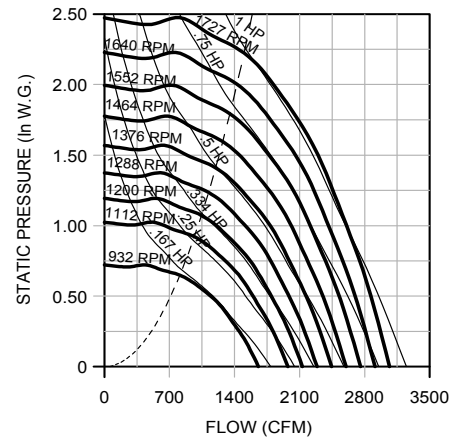
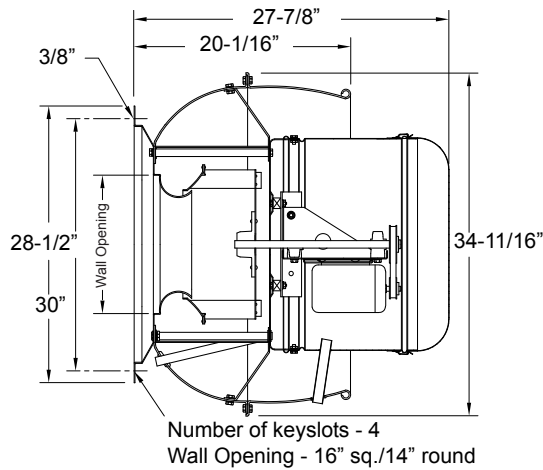
Material Gauges
Top Cap Lid - .050
Top Cap Cylinder - .040
Baffle - .063
Base - .100



165 ACWB-HP

Wheel Diameter - 16.5"
Tip Speed (FPM) - 4.3 x RPM
Maximum RPM - 1728
Maximum BHP - .35 x (RPM/1000)³
Maximum Motor Frame - 56
Approx. Ship Wt. (Less Motor) - 75 lbs.
Number of Keyslots - 4 for 3/8" bolt
Wall Opening (Round) - 14"
Wall Opening (Square) - 16"

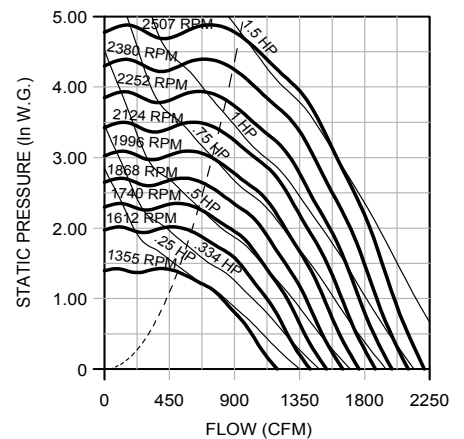
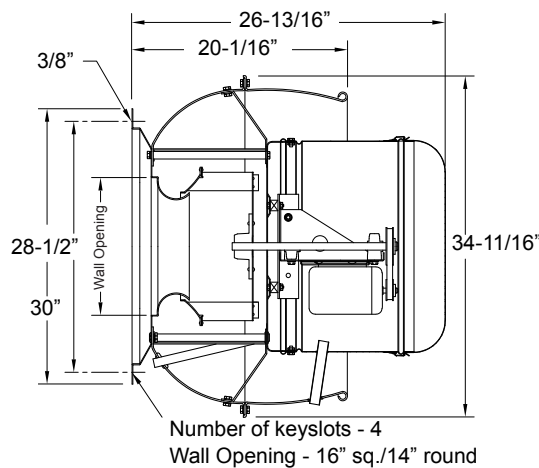
Material Gauges
Top Cap Lid - .050
Top Cap Cylinder - .040
Baffle - .063
Base - .100



165 ACWB-XP

Wheel Diameter - 16.5"
Tip Speed (FPM) - 4.3 x RPM
Maximum RPM - 2508
Maximum BHP - .35 x (RPM/1000)³
Maximum Motor Frame - 56
Approx. Ship Wt. (Less Motor) - 75 lbs.
Number of Keyslots - 4 for 3/8" bolt
Wall Opening (Round) - 14"
Wall Opening (Square) - 16"

Material Gauges
Top Cap Lid - .050
Top Cap Cylinder - .040
Baffle - .063
Base - .100



Performance certified is for Installation Type A: free inlet, free outlet. Power rating (BHP) does not include transmission losses. Performance ratings do not include the effects of appurtenances (accessories). The sound ratings shown are loudness values in fan sones at 5 ft. (1.5m) in a hemispherical free field calculated per AMCA Standard 301. Values shown are for Installation Type A: free inlet hemispherical sone levels.

165 ACWB

Catalog Number	Mtr. HP/ Drv. Wt.	Fan RPM	Tip Speed	CFM at Static Pressure																					
				0.000" SP		0.125" SP		0.250" SP		0.375" SP		0.500" SP		0.625" SP		0.750" SP		0.875" SP		1.000" SP		1.250" SP		1.500" SP	
				Sone	BHP	Sone	BHP	Sone	BHP	Sone	BHP	Sone	BHP	Sone	BHP	Sone	BHP	Sone	BHP	Sone	BHP	Sone	BHP	Sone	BHP
165W2B	1/6	686	2963	1929		1725		1500		1024															
				6.3	.10	6.2	.11	5.5	.11	4.8	.10														
	15 lbs.	771	3330	2168		1988		1797		1564															
165W3B	1/4	829	3581	2331		2164		1990		1796		1492													
				8.7	.17	8.7	.19	8.3	.20	7.7	.20	7.1	.20												
	15 lbs.	887	3831	2494		2338		2177		2004		1792		1337											
165W4B	1/3	933	4030	2624		2475		2323		2163		1981		1706											
				11.1	.24	11.1	.26	10.8	.28	10.3	.28	9.7	.29	9.1	.29										
	19 lbs.	980	4233	2756		2615		2471		2320		2157		1950		1550									
165W5B	1/2	1052	4544	2958		2827		2694		2556		2411		2249		2033		1608							
				14.3	.35	14.3	.37	14.1	.39	13.7	.40	13.2	.41	12.6	.41	12.1	.41	11.6	.38						
	23 lbs.	1125	4859	3164		3041		2917		2790		2657		2517		2356		2138		1723					
165W6B	3/4	1210	5226	3403		3289		3174		3057		2936		2811		2677		2525		2323					
				19.2	.53	19.2	.56	19.2	.58	18.8	.60	18.5	.61	17.9	.62	17.2	.62	16.6	.63	16.2	.63				
	31 lbs.	1295	5594	3642		3535		3428		3319		3208		3094		2975		2848		2705		2251			
				22	.65	22	.68	22	.70	21	.72	21	.74	21	.75	20	.76	19.4	.76	18.9	.77	18.1	.75		

165 ACWB-HP

Catalog Number	Mtr. HP/ Drv. Wt.	Fan RPM	Tip Speed	CFM at Static Pressure																					
				0.250" SP		0.375" SP		0.500" SP		0.750" SP		1.000" SP		1.250" SP		1.500" SP		1.750" SP		2.000" SP		2.250" SP		2.500" SP	
				Sone	BHP	Sone	BHP	Sone	BHP	Sone	BHP	Sone	BHP	Sone	BHP	Sone	BHP	Sone	BHP	Sone	BHP	Sone	BHP	Sone	BHP
165WH2B	1/6	932	4025	1450		1314		1141																	
				6.7	.16	6.5	.16	6.2	.16																
165WH3B	1/4	1072	4630	1736		1626		1507		1165															
				8.7	.23	8.4	.24	8.3	.25	8.0	.24														
165WH4B	1/3	1128	4872	1846		1747		1635		1355															
				9.5	.26	9.3	.28	9.1	.29	8.8	.29														
	19 lbs.	1185	5118	1957		1866		1762		1527		1142													
165WH5B	1/2	1273	5498	2125		2046		1954		1752		1466													
				12.1	.37	11.8	.39	11.5	.40	11.1	.41	11.2	.41												
	23 lbs.	1361	5879	2291		2221		2140		1956		1742		1421											
165WH6B	3/4	1463	6319	2482		2419		2349		2184		2007		1771		1448									
				15.1	.55	14.9	.57	14.7	.59	14.1	.61	13.7	.63	13.7	.63	13.8	.61								
	31 lbs.	1566	6764	2673		2615		2553		2408		2246		2069		1819		1503							
165WH7B	1	1646	7110	2820		2767		2709		2577		2426		2268		2074		1809		1467					
				18.2	.77	18.2	.79	18.0	.81	17.4	.85	16.9	.88	16.4	.90	16.2	.90	16.1	.88	16.2	.85				
	36 lbs.	1727	7460	2969		2918		2865		2745		2604		2457		2297		2082		1817					
				19.6	.89	19.6	.91	19.5	.93	19.0	.97	18.5	1.01	18.1	1.03	17.8	1.04	17.6	1.03	17.4	1.02				

165 ACWB-XP

Catalog Number	Mtr. HP/ Drv. Wt.	Fan RPM	Tip Speed	CFM at Static Pressure																					
				1.000" SP		1.250" SP		1.500" SP		1.750" SP		2.000" SP		2.250" SP		2.500" SP		3.000" SP		3.500" SP		4.000" SP		4.500" SP	
				Sone	BHP	Sone	BHP	Sone	BHP	Sone	BHP	Sone	BHP	Sone	BHP	Sone	BHP	Sone	BHP	Sone	BHP	Sone	BHP	Sone	BHP
165WX3B	1/4	1355	5853	814		637																			
				9.4	.24	9.1	.25																		
165WX4B	1/3	1498	6470	988		889		728																	
				11.7	.32	11.3	.33	10.9	.33																
165WX5B	1/2	1609	6950	1121		1025		931		766		519													
				13.3	.38	12.9	.40	12.5	.41	12.3	.41	12.0	.37												
	23 lbs.	1720	7429	1243		1160		1072		981		818		614											
165WX6B	3/4	1850	7991	1376		1310		1229		1148		1065		926		753									
				16.9	.56	16.5	.58	16.1	.59	15.7	.61	15.5	.62	15.3	.63	15.2	.61								
	31 lbs.	1979	8548	1503		1448		1382		1304		1229		1152		1040		681							
165WX7B	1	2081	8989	1601		1551		1495		1427		1352		1281		1207		947							
				21	.76	20	.79	20	.82	19.6	.84	19.1	.85	18.7	.87	18.6	.88	18.5	.89						
	36 lbs.	2183	9129	1698		1651		1602		1544		1476		1405		1338		1170		876					
165WX8B	1-1/2	2345	10129	1851		1807		1764		1717		1663		1601		1534		1408		1238		964			
				26	1.05	25	1.09	25	1.12	25	1.15	24	1.18	24	1.20	23	1.22	23	1.25	22	1.29	22	1.24		
	38 lbs.	2507	10829	2003		1961		1921		1880		1836		1786		1729		1606		1488		1324		1068	
				29	1.26	29	1.30	28	1.34	28	1.37	27	1.41	27	1.44	27	1.46	26	1.50	25	1.54	25	1.57	25	1.53

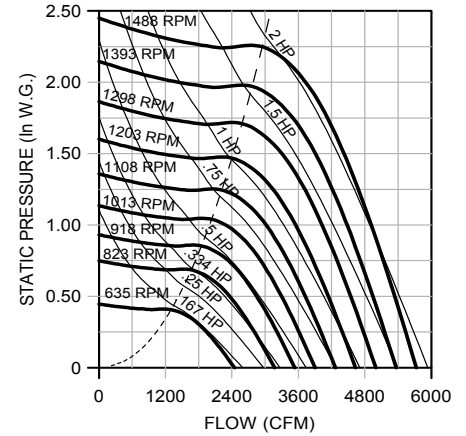
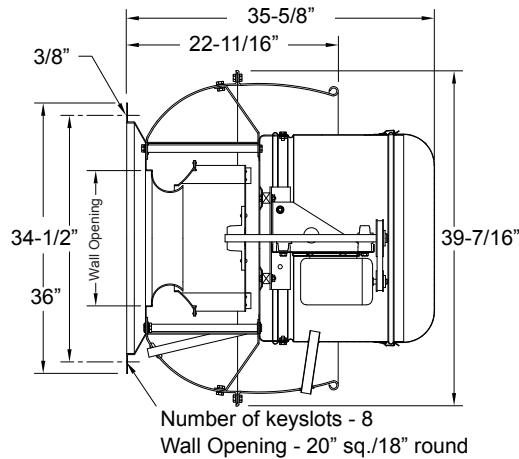
Performance certified is for Installation Type A: free inlet, free outlet. Power rating (BHP) does not include transmission losses. Performance ratings do not include the effects of appurtenances (accessories). The sound ratings shown are loudness values in fan sones at 5 ft. (1.5m) in a hemispherical free field calculated per AMCA Standard 301. Values shown are for Installation Type A: free inlet hemispherical sone levels.

180 ACWB Data

180 ACWB

Wheel Diameter - 18"
Tip Speed (FPM) - 4.7 x RPM
Maximum RPM - 1546
Maximum BHP - .57 x (RPM/1000)³
Maximum Motor Frame - 145T
Approx. Ship Wt. (Less Motor) - 100 lbs.
Number of Keyslots - 8 for 3/8" bolt
Wall Opening (Round) - 18"
Wall Opening (Square) - 20"

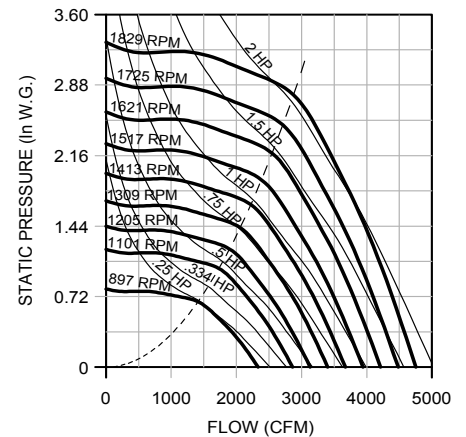
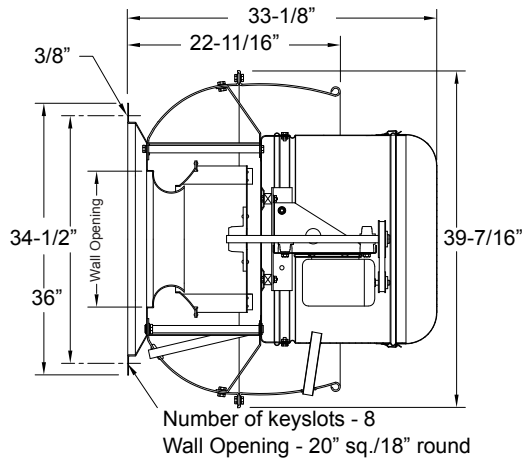
Material Gauges
Top Cap Lid - .050
Top Cap Cylinder - .040
Baffle - .080
Base - .100



180 ACWB-HP

Wheel Diameter - 18"
Tip Speed (FPM) - 4.7 x RPM
Maximum RPM - 1829
Maximum BHP - .57 x (RPM/1000)³
Maximum Motor Frame - 145T
Approx. Ship Wt. (Less Motor) - 100 lbs.
Number of Keyslots - 8 for 3/8" bolt
Wall Opening (Round) - 18"
Wall Opening (Square) - 20"

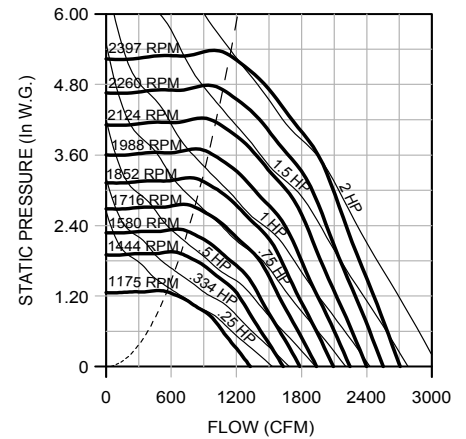
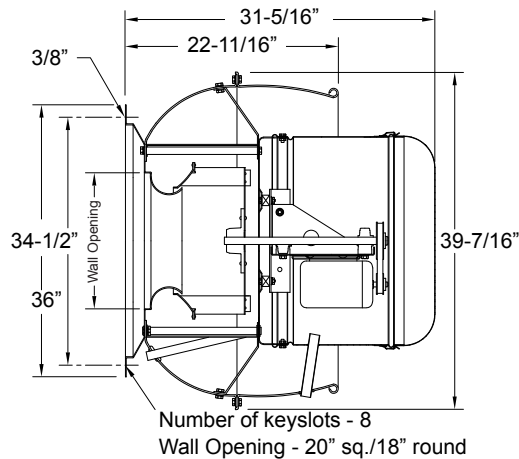
Material Gauges
Top Cap Lid - .050
Top Cap Cylinder - .040
Baffle - .080
Base - .100



180 ACWB-XP

Wheel Diameter - 18"
Tip Speed (FPM) - 4.7 x RPM
Maximum RPM - 2396
Maximum BHP - .57 x (RPM/1000)³
Maximum Motor Frame - 145T
Approx. Ship Wt. (Less Motor) - 100 lbs.
Number of Keyslots - 8 for 3/8" bolt
Wall Opening (Round) - 18"
Wall Opening (Square) - 20"

Material Gauges
Top Cap Lid - .050
Top Cap Cylinder - .040
Baffle - .080
Base - .100



Performance certified is for Installation Type A: free inlet, free outlet. Power rating (BHP) does not include transmission losses. Performance ratings do not include the effects of appurtenances (accessories). The sound ratings shown are loudness values in fan sones at 5 ft. (1.5m) in a hemispherical free field calculated per AMCA Standard 301. Values shown are for Installation Type A: free inlet hemispherical sone levels.

180 ACWB

Catalog Number	Mtr. HP/ Drv. Wt.	Fan RPM	Tip Speed	CFM at Static Pressure																					
				0.000" SP		0.125" SP		0.250" SP		0.375" SP		0.500" SP		0.625" SP		0.750" SP		0.875" SP		1.000" SP		1.250" SP		1.500" SP	
				Sone	BHP	Sone	BHP	Sone	BHP	Sone	BHP	Sone	BHP	Sone	BHP	Sone	BHP	Sone	BHP	Sone	BHP	Sone	BHP	Sone	BHP
180W2B	1/6 15 lbs.	635	2992	2446		2214		1945		1541															
				5.9	.14	5.6	.15	5.0	.16	4.5	.16														
180W3B	1/4 15 lbs.	730	3440	2812		2612		2395		2138		1751													
				7.6	.21	7.5	.23	6.9	.24	6.5	.25	6.0	.24												
180W4B	1/3 19 lbs.	807	3802	3109		2928		2738		2526		2272		1872											
				9.3	.29	9.3	.30	8.7	.32	8.2	.33	7.7	.33	7.3	.32										
180W5B	1/2 23 lbs.	927	4368	3571		3414		3253		3082		2893		2677		2401									
				12.2	.43	12.2	.45	11.8	.47	11.2	.49	10.7	.50	10.3	.51	9.9	.50								
180W6B	3/4 31 lbs.	1066	5023	4106		3970		3832		3690		3539		3376		3199		2997		2741					
				16.1	.66	16.1	.68	16.0	.71	15.3	.73	14.6	.74	14.2	.76	13.8	.77	13.4	.77	13.0	.76				
180W7B	1 36 lbs.	1176	5541	4530		4407		4283		4155		4023		3885		3738		3579		3405		2948			
				18.6	.89	18.6	.91	18.6	.94	18.1	.96	17.4	.98	16.7	1.00	16.3	1.01	15.9	1.02	15.5	1.03	14.8	1.02		
180W8B	1-1/2 38 lbs.	1264	5956	4869		4755		4639		4522		4402		4277		4146		4007		3860		3523			
				21	1.10	21	1.13	21	1.16	20	1.18	19.7	1.20	19.0	1.23	18.4	1.24	18.0	1.26	17.6	1.27	16.9	1.28	16.3	1.25
		1351	6366	5204		5097		4989		4880		4769		4655		4536		4413		4283		3999		3658	
23	1.35			23	1.37	23	1.40	23	1.43	22	1.46	21	1.48	21	1.50	20	1.52	20	1.54	19.3	1.56	18.6	1.56		
180W9B	2 50 lbs.	1419	6686	5466		5364		5262		5158		5053		4946		4835		4721		4601		4345			
				24	1.56	24	1.59	24	1.62	24	1.65	24	1.68	23	1.70	23	1.73	22	1.75	22	1.77	21	1.80	20	1.81
		1488	7012	5732		5635		5537		5439		5339		5238		5134		5027		4916		4681		4423	
26	1.80			26	1.83	26	1.86	26	1.89	26	1.92	25	1.95	25	1.98	24	2.00	24	2.02	23	2.06	22	2.08		

180 ACWB-HP

Catalog Number	Mtr. HP/ Drv. Wt.	Fan RPM	Tip Speed	CFM at Static Pressure																																							
				0.250" SP		0.375" SP		0.500" SP		0.750" SP		1.000" SP		1.250" SP		1.500" SP		1.750" SP		2.000" SP		2.250" SP		2.500" SP																			
				Sone	BHP	Sone	BHP	Sone	BHP	Sone	BHP	Sone	BHP	Sone	BHP	Sone	BHP	Sone	BHP	Sone	BHP	Sone	BHP	Sone	BHP																		
180WH3B	1/4 15 lbs.	897	4227	2068		1910		1724																																			
				8.8	.22	8.4	.23	7.9	.24																																		
180WH4B	1/3 19 lbs.	992	4674	2344		2212		2060		1704																																	
				10.6	.30	10.3	.31	9.9	.32	8.8	.33																																
180WH5B	1/2 23 lbs.	1139	5367	2759		2652		2534		2258		1939																															
				13.7	.44	13.5	.46	13.1	.47	12.2	.49	11.0	.51																														
180WH6B	3/4 31 lbs.	1225	5772	2998		2900		2796		2557		2278																															
				15.5	.55	15.4	.56	15.1	.58	14.3	.60	13.3	.62																														
180WH7B	1 36 lbs.	1446	6814	3234		3144		3050		2839		2592		2323																													
				17.6	.66	17.5	.68	17.2	.70	16.6	.72	15.6	.75	14.4	.77																												
180WH8B	1-1/2 38 lbs.	1553	7318	3602		3521		3438		3260		3057		2827		2583																											
				20	.88	20	.90	20	.92	19.5	.95	18.7	.98	17.8	1.01	16.8	1.03																										
180WH9B	2 50 lbs.	1744	8218	3891		3817		3741		3580		3403		3204		2984		2756																									
				22	1.08	22	1.11	22	1.13	22	1.17	21	1.19	20	1.22	19.5	1.26	18.7	1.28																								
		1660	7822	4178		4109		4039		3893		3735		3561		3367		3159		2945		2674																					
25	1.32			25	1.34	25	1.37	24	1.41	24	1.44	23	1.47	22	1.51	22	1.54	21	1.57	20	1.56																						
180WH9B	2 50 lbs.	1829	8618	4403		4338		4271		4134		3988		3829		3655		3464		3264		3057																					
				27	1.52	27	1.55	27	1.57	27	1.62	26	1.66	25	1.69	25	1.72	24	1.76	23	1.80	22	1.82	22	1.80																		
		4630		4568		4505		4376		4240		4093		3935		3761		3575		3385		3185																					
29		1.75		29		1.78		29		1.80		29		1.86		28		1.90		28		1.93		27		1.96		26		2.00		26		2.05		25		2.08		24		2.10	

180 ACWB-XP

Catalog Number	Mtr. HP/ Drv. Wt.	Fan RPM	Tip Speed	CFM at Static Pressure																					
				1.000" SP		1.250" SP		1.500" SP		1.750" SP		2.000" SP		2.250" SP		2.500" SP		3.000" SP		3.500" SP		4.000" SP		4.500" SP	
				Sone	BHP	Sone	BHP	Sone	BHP	Sone	BHP	Sone	BHP	Sone	BHP	Sone	BHP	Sone	BHP	Sone	BHP	Sone	BHP	Sone	BHP
180WX3B	1/4 15 lbs.	1175	5537	848		595																			
				8.9	.25	9.1	.23																		
180WX4B	1/3 19 lbs.	1300	6126	1089		918		698																	
				10.7	.32	10.7	.34	11.0	.32																
180WX5B	1/2 23 lbs.	1492	7030	1354		1274		1156		988		774													
				14.0	.45	13.7	.47	13.6	.50	14.0	.51	14.3	.48												
180WX6B	3/4 31 lbs.	1717	8091	1650		1578		1511		1436		1322		1174		1022									
				17.8	.65	17.6	.68	17.4	.70	17.3	.73	17.2	.76	17.4	.77	17.7	.76								
180WX7B	1 36 lbs.	1805	8505	1764		1694		1629		1564		1486		1368		1227									
				19.3	.74	19.1	.77	19.0	.80	18.8	.83	18.7	.85	18.7	.89	18.9	.90								
		1894	8925	1879		1811		1746		1685		1622		1543		1422		1155							
21	.84			21	.88	21	.91	20	.94	20	.96	20	.99	20	1.03	21	1.02								
180WX8B	1-1/2 38 lbs.	2034	9585	2058		1993		1930		1871		1814		1756		1688		1466		1216					
				24	1.02	23	1.06	23	1.10	23	1.13	23	1.16	23	1.19	23	1.22	23	1.28	23	1.27				
		2175	10249	2235		2175		2115		2056		2001		1948		1894		1760		1536		1301			
26	1.22			26	1.27	26	1.31	26	1.34	26	1.38	26	1.41	25	1.44	25	1.51	26	1.57	26	1.55				
180WX9B	2 50 lbs.	2286	10772	2372		2316		2258		2201		2146		2094		2044		1938		1780		1558			
				28	1.40	28	1.45	28	1.49	28	1.53	28	1.57	28	1.60	28	1.64	28	1.70	28	1.78	28	1.82	29	1.78
		2397	11295	2508		2455		2401		2346		2292		2240		2191		2094		1981		1802		1593	
31	1.60			30	1.65	30	1.69	30	1.74	30	1.78	30	1.82	30	1.85	30	1.92	30	1.99	30	2.08	31	2.10		

Performance certified is for installation type A: free inlet, free outlet. Power rating (BHP) does not include transmission losses. Performance ratings do not include the effects of appurtenances (accessories). The sound ratings shown are loudness values in fan sones at 5 ft. (1.5m) in a hemispherical free field calculated per AMCA Standard 301. Values shown are for Installation Type A: free inlet hemispherical sone levels.

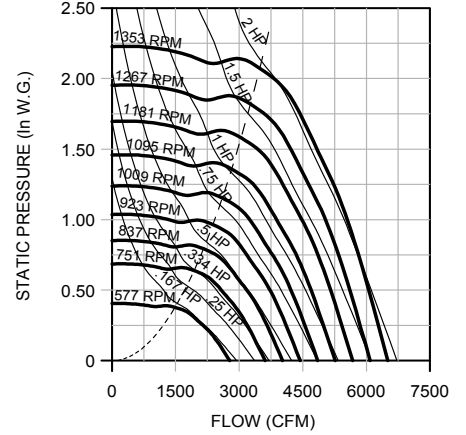
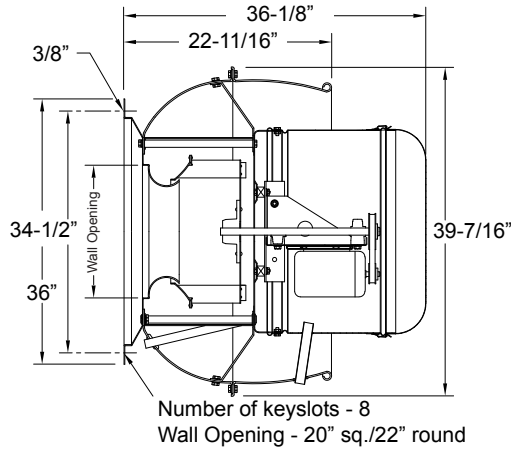
195 ACWB Data

195 ACWB

Wheel Diameter - 19.5"
Tip Speed (FPM) - 5.1 x RPM
Maximum RPM - 1353
Maximum BHP - .85 x (RPM/1000)³
Maximum Motor Frame - 145T
Approx. Ship Wt. (Less Motor) - 110 lbs.
Number of Keyslots - 8 for 3/8" bolt
Wall Opening (Round) - 22"
Wall Opening (Square) - 20"

Material Gauges

Top Cap Lid - .050
Top Cap Cylinder - .040
Baffle - .080
Base - .100

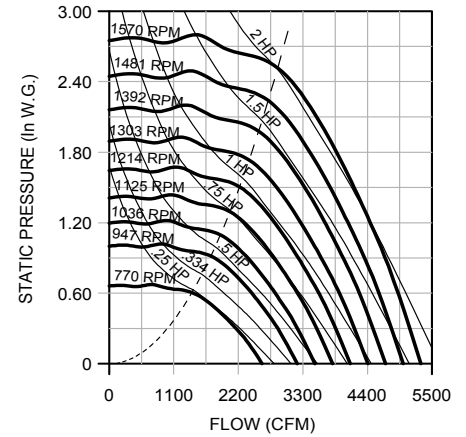
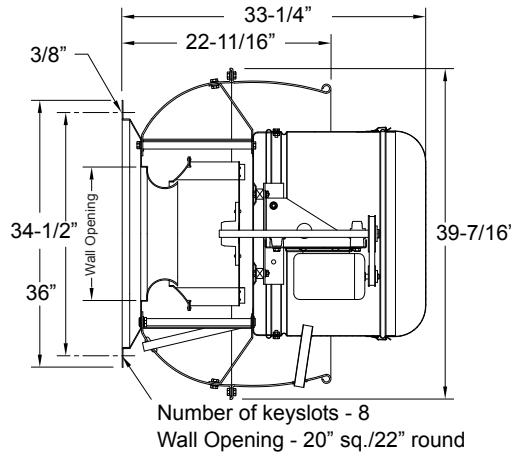


195 ACWB-HP

Wheel Diameter - 19.5"
Tip Speed (FPM) - 5.1 x RPM
Maximum RPM - 1570
Maximum BHP - .85 x (RPM/1000)³
Maximum Motor Frame - 145T
Approx. Ship Wt. (Less Motor) - 110 lbs.
Number of Keyslots - 8 for 3/8" bolt
Wall Opening (Round) - 22"
Wall Opening (Square) - 20"

Material Gauges

Top Cap Lid - .050
Top Cap Cylinder - .040
Baffle - .080
Base - .100

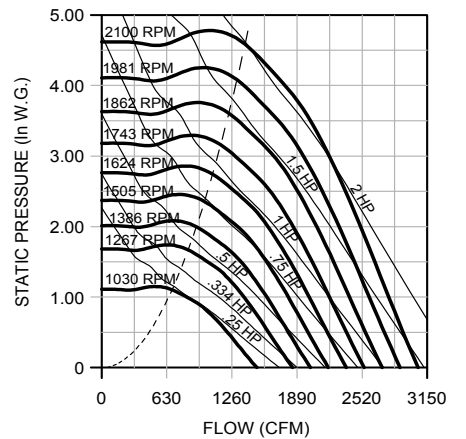
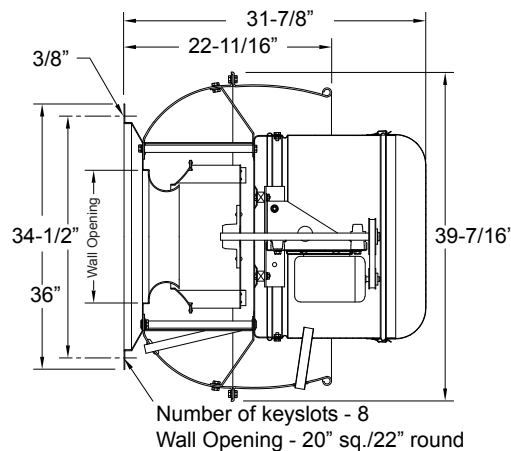


195 ACWB-XP

Wheel Diameter - 19.5"
Tip Speed (FPM) - 5.1 x RPM
Maximum RPM - 2100
Maximum BHP - .85 x (RPM/1000)³
Maximum Motor Frame - 145T
Approx. Ship Wt. (Less Motor) - 110 lbs.
Number of Keyslots - 8 for 3/8" bolt
Wall Opening (Round) - 22"
Wall Opening (Square) - 20"

Material Gauges

Top Cap Lid - .050
Top Cap Cylinder - .040
Baffle - .080
Base - .100



Performance certified is for Installation Type A: free inlet, free outlet. Power rating (BHP) does not include transmission losses. Performance ratings do not include the effects of appurtenances (accessories). The sound ratings shown are loudness values in fan sones at 5 ft. (1.5m) in a hemispherical free field calculated per AMCA Standard 301. Values shown are for Installation Type A: free inlet hemispherical sone levels.

195 ACWB

Catalog Number	Mtr. HP/ Drv. Wt.	Fan RPM	Tip Speed	CFM at Static Pressure																							
				0.000" SP		0.125" SP		0.250" SP		0.375" SP		0.500" SP		0.625" SP		0.750" SP		0.875" SP		1.000" SP		1.250" SP		1.500" SP			
				Sone	BHP	Sone	BHP	Sone	BHP	Sone	BHP	Sone	BHP	Sone	BHP	Sone	BHP	Sone	BHP	Sone	BHP	Sone	BHP	Sone	BHP	Sone	BHP
195W2B	1/6 15 lbs.	577	2945	2774		2506		2147		1510																	
				6.0	.14	5.7	.15	5.0	.16	4.6	.15																
195W3B	1/4 15 lbs.	664	3389	3192		2963		2702		2329																	
				7.5	.21	7.4	.23	6.8	.24	6.3	.25																
195W4B	1/3 19 lbs.	734	3747	3528		3323		3100		2816		2454															
				9.1	.29	9.1	.31	8.5	.32	8.0	.33	7.5	.33														
195W5B	1/2 23 lbs.	842	4298	4047		3869		3683		3476		3214		2899		2513											
				11.9	.44	11.9	.46	11.5	.48	10.8	.49	10.3	.50	9.9	.50	9.5	.49										
195W6B	3/4 31 lbs.	969	4946	4658		4504		4345		4178		3995		3776		3505		3231		2865							
				15.7	.67	15.7	.69	15.5	.71	14.9	.74	14.2	.75	13.8	.76	13.4	.77	12.9	.76	12.5	.74						
195W7B	1 36 lbs.	1069	5457	5139		4999		4857		4710		4554		4384		4184		3943		3695		3009					
				19.0	.89	19.0	.92	19.0	.95	18.4	.97	17.7	1.00	17.1	1.01	16.7	1.03	16.2	1.03	15.9	1.03	15.2	.98				
195W8B	1-1/2 38 lbs.	1149	5865	5523		5393		5262		5127		4986		4837		4674		4484		4259		3792					
				21	1.11	21	1.14	21	1.17	21	1.20	20	1.22	19.4	1.24	18.8	1.26	18.4	1.28	18.0	1.28	17.3	1.27				
		1228	6269	5903		5781		5659		5534		5405		5270		5127		4970		4791		4363		3912			
23	1.35			23	1.39	23	1.42	23	1.45	22	1.48	22	1.50	21	1.53	21	1.54	20	1.56	19.5	1.56	18.7	1.54				
195W9B	2 50 lbs.	1290	6585	6201		6085		5969		5851		5729		5604		5472		5332		5178		4799		4386			
				25	1.57	25	1.60	25	1.64	25	1.67	24	1.70	24	1.73	23	1.75	22	1.78	22	1.79	21	1.81	21	1.80		
		1353	6907	6504		6394		6283		6170		6056		5938		5816		5687		5550		5226		4834			
27	1.81			27	1.85	27	1.88	27	1.92	26	1.95	26	1.98	25	2.01	24	2.03	24	2.05	23	2.09	22	2.09				

195 ACWB-HP

Catalog Number	Mtr. HP/ Drv. Wt.	Fan RPM	Tip Speed	CFM at Static Pressure																					
				0.250" SP		0.375" SP		0.500" SP		0.750" SP		1.000" SP		1.250" SP		1.500" SP		1.750" SP		2.000" SP		2.250" SP		2.500" SP	
				Sone	BHP	Sone	BHP	Sone	BHP	Sone	BHP	Sone	BHP	Sone	BHP	Sone	BHP	Sone	BHP	Sone	BHP	Sone	BHP	Sone	BHP
195WH3B	1/4 15 lbs.	770	3930	2251		2019		1747																	
				7.6	.23	7.1	.24	6.4	.25																
195WH4B	1/3 19 lbs.	851	4344	2571		2374		2155																	
				9.3	.31	8.8	.32	8.2	.33																
195WH5B	1/2 23 lbs.	977	4987	3044		2893		2718		2318															
				12.3	.45	11.8	.47	11.2	.48	10.0	.50														
195WH6B	3/4 31 lbs.	1051	5365	3315		3182		3029		2680		2254													
				14.1	.56	13.7	.58	13.3	.59	12.0	.62	10.6	.63												
195WH7B	1 36 lbs.	1240	6330	3579		3459		3324		3012		2656		2179											
				16.0	.68	15.7	.70	15.3	.72	13.9	.74	12.7	.77	11.4	.75										
195WH8B	1-1/2 38 lbs.	1332	6799	3994		3888		3775		3513		3217		2883		2453									
				18.8	.89	18.8	.92	18.4	.95	17.6	.98	16.1	1.01	14.7	1.03	13.6	1.01								
195WH9B	2 50 lbs.	1497	7642	4319		4223		4121		3892		3629		3342		3016		2594							
				21	1.10	21	1.13	21	1.16	19.9	1.20	18.6	1.23	17.3	1.26	16.0	1.28	14.9	1.25						
		1570	8015	4643		4554		4461		4259		4023		3768		3491		3176		2773					
23	1.33			23	1.37	23	1.40	22	1.46	21	1.49	19.8	1.52	18.7	1.55	17.6	1.56	16.6	1.53						
195WH9B	2 50 lbs.	1497	7642	4899		4814		4727		4541		4327		4091		3840		3565		3250		2832			
				25	1.54	25	1.58	25	1.61	24	1.68	23	1.72	22	1.75	21	1.75	19.7	1.81	18.8	1.81	17.9	1.76		
		1570	8015	5154		5073		4991		4818		4326		4404		4173		3926		3654		3342		2913	
26	1.77			26	1.81	26	1.85	26	1.91	25	1.97	24	2.00	23	2.03	22	2.07	21	2.09	20	2.09	19.2	2.02		

195 ACWB-XP

Catalog Number	Mtr. HP/ Drv. Wt.	Fan RPM	Tip Speed	CFM at Static Pressure																					
				1.000" SP		1.250" SP		1.500" SP		1.750" SP		2.000" SP		2.250" SP		2.500" SP		3.000" SP		3.500" SP		4.000" SP		4.500" SP	
				Sone	BHP	Sone	BHP	Sone	BHP	Sone	BHP	Sone	BHP	Sone	BHP	Sone	BHP	Sone	BHP	Sone	BHP	Sone	BHP	Sone	BHP
195WX3B	1/4 15 lbs.	1030	5258	823																					
				6.5	.25																				
195WX4B	1/3 19 lbs.	1139	5814	1117		879																			
				8.2	.33	7.7	.33																		
195WX5B	1/2 23 lbs.	1308	6677	1455		1324		1153		901															
				11.2	.47	10.8	.49	10.3	.51	9.7	.48														
195WX6B	3/4 31 lbs.	1505	7683	1806		1706		1596		1474		1315		1102											
				15.1	.68	14.6	.71	14.3	.74	13.8	.76	13.2	.77	12.7	.75										
195WX7B	1 36 lbs.	1583	8081	1939		1846		1747		1639		1517		1356		1150									
				16.5	.78	15.9	.81	15.6	.84	15.4	.87	14.7	.89	14.2	.90	13.7	.87								
		1660	8474	2068		1981		1889		1791		1686		1564		1402									
17.9	.88			17.4	.92	16.9	.95	16.7	.98	16.4	1.01	15.8	1.03	15.2	1.04										
195WX8B	1-1/2 38 lbs.	1783	9102	2270		2190		2108		2022		1931		1834		1726		1423							
				20	1.06	19.7	1.11	19.2	1.15	18.8	1.18	18.6	1.21	18.4	1.24	17.8	1.27	16.8	1.27						
		1906	9730	2469		2394		2319		2242		2162		2077		1987		1780		1471					
23	1.27			22	1.32	22	1.37	21	1.41	21	1.44	21	1.48	20	1.51	19.5	1.56	18.5	1.55						
195WX9B	2 50 lbs.	2003	10225	2624		2553		2482		2410		2336		2259		2177		2001		1775		1456			
				25	1.45	24	1.51	23	1.56	23	1.60	23	1.64	22	1.68	22	1.71	22	1.75	21	1.82	19.8	1.77		
		2100	10720	2778		2710		2643		2575		2506		2434		2360		2201		2020		1775		1455	
26	1.65			26	1.71	25	1.76	25	1.81	25	1.86	24	1.90	24	1.94	24	2.01	23	2.07	22	2.10	21	2.01		

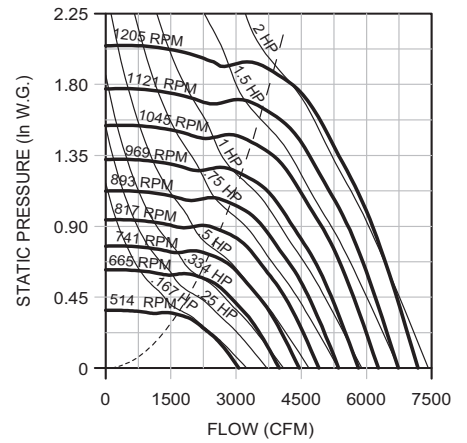
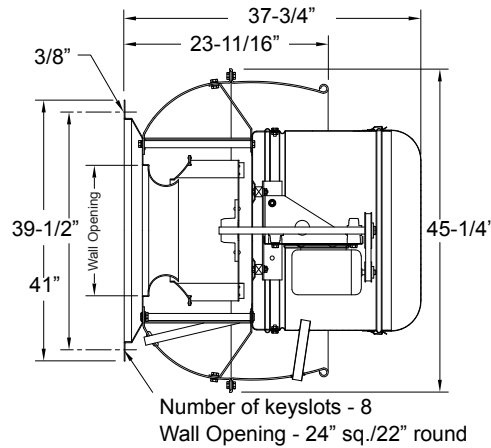
Performance certified is for Installation Type A: free inlet, free outlet. Power rating (BHP) does not include transmission losses. Performance ratings do not include the effects of appurtenances (accessories). The sound ratings shown are loudness values in fan sones at 5 ft. (1.5m) in a hemispherical free field calculated per AMCA Standard 301. Values shown are for Installation Type A: free inlet hemispherical sone levels.

210 ACWB Data

210 ACWB

Wheel Diameter - 21"
Tip Speed (FPM) - 5.5 x RPM
Maximum RPM - 1205
Maximum BHP - 1.2 x (RPM/1000)³
Maximum Motor Frame - 145T
Approx. Ship Wt. (Less Motor) - 210 lbs.
Number of Keyslots - 8 for 3/8" bolt
Wall Opening (Round) - 22"
Wall Opening (Square) - 24"

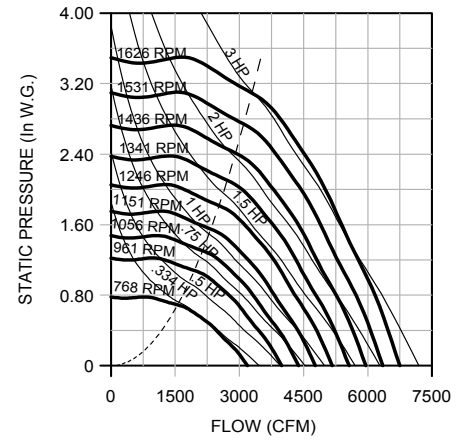
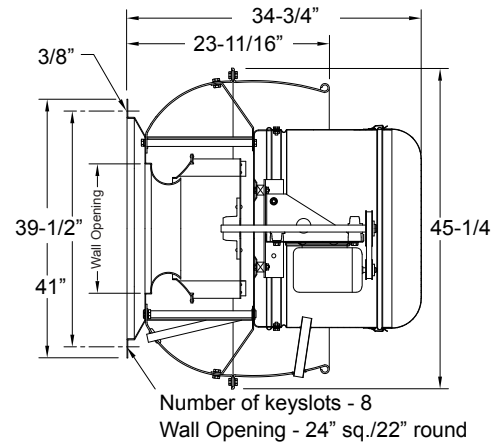
Material Gauges
Top Cap Lid - .063
Top Cap Cylinder - .040
Baffle - .080
Base - .100



210 ACWB-HP

Wheel Diameter - 21"
Tip Speed (FPM) - 5.5 x RPM
Maximum RPM - 1626
Maximum BHP - 1.2 x (RPM/1000)³
Maximum Motor Frame - 145T
Approx. Ship Wt. (Less Motor) - 210 lbs.
Number of Keyslots - 8 for 3/8" bolt
Wall Opening (Round) - 22"
Wall Opening (Square) - 24"

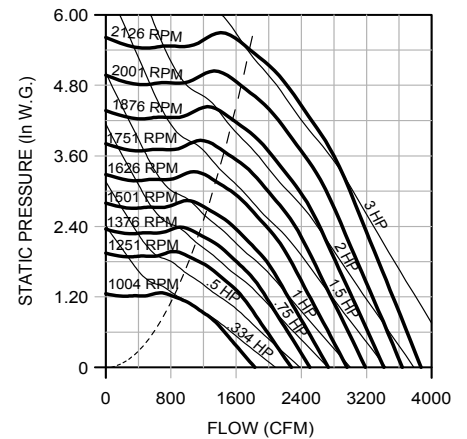
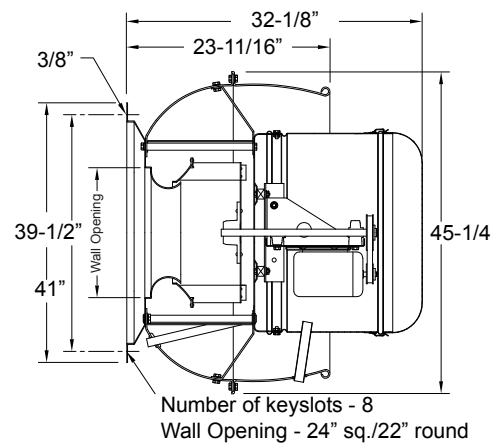
Material Gauges
Top Cap Lid - .063
Top Cap Cylinder - .040
Baffle - .080
Base - .100



210 ACWB-XP

Wheel Diameter - 21"
Tip Speed (FPM) - 5.5 x RPM
Maximum RPM - 2126
Maximum BHP - 1.2 x (RPM/1000)³
Maximum Motor Frame - 145T
Approx. Ship Wt. (Less Motor) - 210 lbs.
Number of Keyslots - 8 for 3/8" bolt
Wall Opening (Round) - 22"
Wall Opening (Square) - 24"

Material Gauges
Top Cap Lid - .063
Top Cap Cylinder - .040
Baffle - .080
Base - .100



Performance certified is for Installation Type A: free inlet, free outlet. Power rating (BHP) does not include transmission losses. Performance ratings do not include the effects of appurtenances (accessories). The sound ratings shown are loudness values in fan sones at 5 ft. (1.5m) in a hemispherical free field calculated per AMCA Standard 301. Values shown are for Installation Type A: free inlet hemispherical sone levels.

210 ACWB

Catalog Number	Mtr. HP/ Drv. Wt.	Fan RPM	Tip Speed	CFM at Static Pressure																																											
				0.000" SP		0.125" SP		0.250" SP		0.375" SP		0.500" SP		0.625" SP		0.750" SP		0.875" SP		1.000" SP		1.250" SP		1.500" SP																							
				Sone	BHP	Sone	BHP	Sone	BHP	Sone	BHP	Sone	BHP	Sone	BHP	Sone	BHP	Sone	BHP	Sone	BHP	Sone	BHP	Sone	BHP	Sone	BHP																				
210W2B	1/6 15 lbs.	514	2825	3052		2672		2247																																							
				5.4	.14	4.8	.15	4.2	.16																																						
210W3B	1/4 15 lbs.	591	3249	3509		3180		2836		2428																																					
				7.3	.21	6.8	.22	6.3	.24	5.6	.25																																				
210W4B	1/3 19 lbs.	653	3590	3877		3580		3275		2940		2534																																			
				8.6	.28	8.1	.3	7.5	.31	7.0	.33	6.3	.33																																		
210W5B	1/2 23 lbs.	750	4123	4453		4195		3933		3661		3363		3019		2522																															
				10.6	.43	10.1	.45	9.6	.46	9.1	.48	8.6	.49	7.9	.5	7.4	.49																														
210W6B	3/4 31 lbs.	863	4744	5124		4900		4674		4445		4206		3950		3667		3344		2864																											
				13.7	.65	13.3	.67	12.9	.69	12.4	.71	11.9	.73	11.4	.75	10.8	.76	10.2	.77	9.7	.75																										
210W7B	1 36 lbs.	952	5233	5653		5449		5245		5039		4829		4611		4378		4126		3849		2960																									
				16.7	.88	16.2	.9	15.8	.92	15.4	.94	14.9	.97	14.5	.99	13.9	1.01	13.3	1.02	12.7	1.03	11.7	.97																								
210W8B	1-1/2 38 lbs.	1022	5618	6068		5879		5689		5498		5304		5106		4899		4681		4446		3904																									
				19.1	1.09	18.7	1.11	18.3	1.13	17.9	1.15	17.4	1.18	16.9	1.21	16.5	1.23	15.9	1.25	15.14	1.26	14.3	1.28																								
		1093	6009	6490		6313		6135		5957		5777		5594		5407		5213		5007		4555		3996																							
210W9B	2 50 lbs.	1149	6316	6822		6654		6485		6316		6145		5973		5797		5617		5429		5022		4559																							
				24	1.54	24	1.57	23	1.59	23	1.62	22	1.64	22	1.67	22	1.7	21	1.73	21	1.76	19.5	1.79	18.4	1.81																						
		1205	6624	7155		6994		6834		6672		6510		6346		6181		6012		5838		5467		5055																							
				26		1.78		26		1.8		25		1.83		25		1.86		24		1.89		24		1.92		24		1.95		23		1.98		23		2.01		22		2.05		20		2.07	

210 ACWB-HP

Catalog Number	Mtr. HP/ Drv. Wt.	Fan RPM	Tip Speed	CFM at Static Pressure																																											
				0.250" SP		0.375" SP		0.500" SP		0.750" SP		1.000" SP		1.250" SP		1.500" SP		1.750" SP		2.000" SP		2.250" SP		2.500" SP																							
				Sone	BHP	Sone	BHP	Sone	BHP	Sone	BHP	Sone	BHP	Sone	BHP	Sone	BHP	Sone	BHP	Sone	BHP	Sone	BHP	Sone	BHP	Sone	BHP																				
210WH4B	1/3 19 lbs.	768	4222	2769		2511		2235																																							
				8.4	.31	8.3	.32	7.9	.33																																						
210WH5B	1/2 23 lbs.	882	4849	3323		3093		2875		2341																																					
				10.7	.45	10.6	.47	10.6	.49	9.5	.50																																				
210WH6B	3/4 31 lbs.	1015	5580	3932		3759		3554		3176		2679		1793																																	
				13.7	.67	13.6	.70	13.6	.72	13.2	.75	12.2	.77	11.2	.69																																
210WH7B	1 36 lbs.	1067	5866	4164		4008		3819		3452		3037		2485																																	
				14.9	.77	14.8	.81	14.8	.83	14.6	.87	13.8	.89	12.7	.87																																
		1120	6157	4398		4257		4085		3724		3371		2891		2091																															
210WH8B	1-1/2 38 lbs.	1286	7070	5122		5007		4881		4572		4264		3965		3579		3133		2301																											
				19.8	1.31	19.7	1.36	19.7	1.40	19.6	1.46	19.5	1.50	18.9	1.54	18.1	1.57	17.2	1.55	16.4	1.41																										
210WH9B	2 50 lbs.	1352	7433	5406		5300		5184		4905		4600		4323		4009		3609		3164		2260																									
				21	1.52	21	1.56	21	1.61	21	1.68	21	1.73	21	1.77	20	1.80	19.3	1.82	18.4	1.78	17.7	1.59																								
		1417	7790	5685		5585		5478		5227		4932		4660		4390		4054		3659		3195		2263																							
210WH10B	3 74 lbs.	1521	8362	6131		6038		5942		5725		5462		5191		4944		4688		4374		4008		3618																							
				26	2.13	26	2.19	26	2.24	26	2.33	26	2.41	25	2.46	25	2.51	25	2.55	24	2.58	23	2.59	22	2.54																						
		1626	8939	6578		6493		6404		6213		5986		5728		5481		5253		5011		4722		4384																							
				29		2.59		29		2.65		29		2.70		29		2.81		28		2.90		28		2.97		28		3.02		28		3.07		27		3.11		27		3.15		26		3.16	

210 ACWB-XP

Catalog Number	Mtr. HP/ Drv. Wt.	Fan RPM	Tip Speed	CFM at Static Pressure																																											
				1.000" SP		1.250" SP		1.500" SP		1.750" SP		2.000" SP		2.250" SP		2.500" SP		3.000" SP		3.500" SP		4.000" SP		4.500" SP																							
				Sone	BHP	Sone	BHP	Sone	BHP	Sone	BHP	Sone	BHP	Sone	BHP	Sone	BHP	Sone	BHP	Sone	BHP	Sone	BHP	Sone	BHP	Sone	BHP																				
210WX4B	1/3 19 lbs.	1004	5519	1127																																											
				9.0	.33																																										
210WX5B	1/2 23 lbs.	1153	6338	1558		1357		1102																																							
				11.3	.48	11.2	.50	12.7	.50																																						
210WX6B	3/4 31 lbs.	1327	7295	1950		1832		1684		1487		1253																																			
				14.6	.69	14.5	.73	14.4	.76	14.6	.77	18.1	.76																																		
210WX7B	1 36 lbs.	1464	8048	2243		2138		2030		1905		1734		1552		1301																															
				17.4	.90	17.3	.93	17.2	.97	17.1	1.01	17.0	1.03	18.2	1.03	27	1.01																														
210WX8B	1-1/2 38 lbs.	1572	8642	2469		2370		2273		2172		2055		1900		1732																															
				19.3	1.08	19.2	1.13	19.1	1.17	19.0	1.21	18.8	1.24	18.7	1.27	19.6	1.28																														
		1681	9241	2694		2600		2508		2417		2323		2215		2078		1759																													
210WX9B	2 50 lbs.	1767	9714	2869		2780		2691		2605		2518		2426		2322		2041		1710																											
				23	1.48	23	1.53	23	1.58	23	1.63	22	1.67	22	1.72	22	1.76	22	1.82	29	1.80																										
		1852	10181	3040		2956		2871		2787		2704		2621		2532		2309		2023		1646																									
210WX10B	3 74 lbs.	1989	10935	3313		3235		3156		3077		2999		2922		2845		2679		2459		2192		1872																							
				28	2.04	28	2.11	27	2.17	27	2.23	27	2.28	27	2.33	26	2.38	26	2.48	26	2.57	28	2.60	39	2.55																						
		2126	11688	3583		3510		3437		3363		3289		3215		3143		2998		2837		2627		2378																							
				32		2.46		31		2.53		30		2.60		30		2.66		30		2.72		30		2.78		29		2.83		29		2.94		29		3.04		29		3.13		31		3.17	

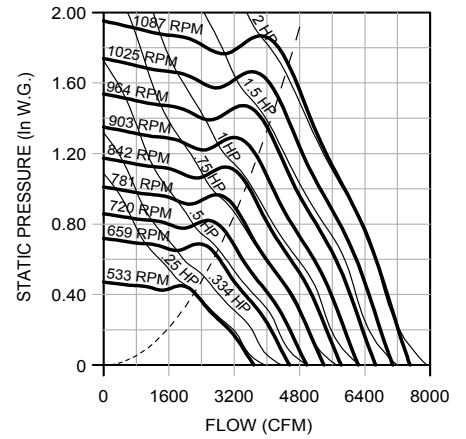
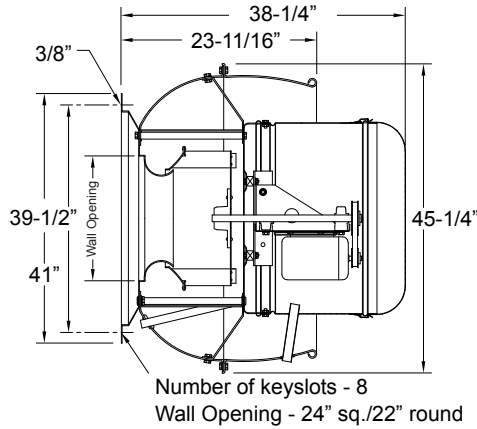
Performance certified is for Installation Type A: free inlet, free outlet. Power rating (BHP) does not include transmission losses. Performance ratings do not include the effects of appurtenances (accessories). The sound ratings shown are loudness values in fan sones at 5 ft. (1.5m) in a hemispherical free field calculated per AMCA Standard 301. Values shown are for Installation Type A: free inlet hemispherical sone levels.

225 ACWB Data

225 ACWB

- Wheel Diameter - 22.5"
- Tip Speed (FPM) - 5.9 x RPM
- Maximum RPM - 1086
- Maximum BHP - $1.6 \times (\text{RPM}/1000)^3$
- Maximum Motor Frame - 182T
- Approx. Ship Wt. (Less Motor) - 215 lbs.
- Number of Keyslots - 8 for 3/8" bolt
- Wall Opening (Round) - 22"
- Wall Opening (Square) - 24"

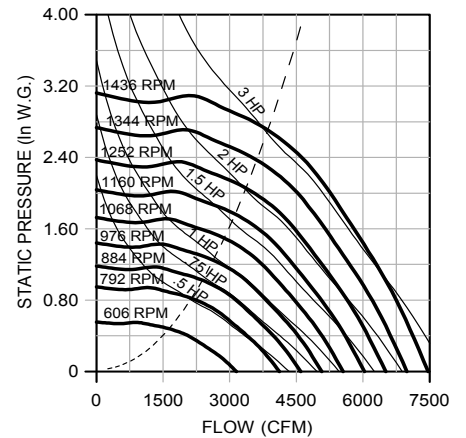
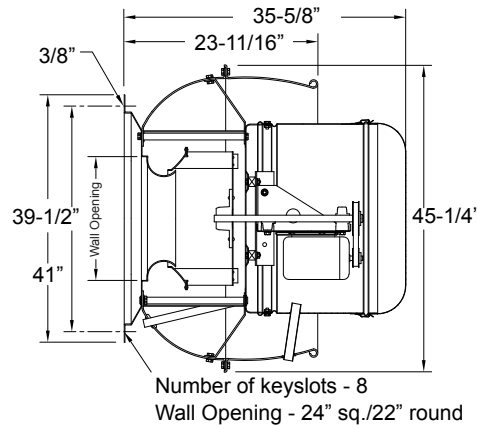
- Material Gauges
- Top Cap Lid - .063
- Top Cap Cylinder - .040
- Baffle - .080
- Base - .100



225 ACWB-HP

- Wheel Diameter - 22.5"
- Tip Speed (FPM) - 5.9 x RPM
- Maximum RPM - 1435
- Maximum BHP - $1.6 \times (\text{RPM}/1000)^3$
- Maximum Motor Frame - 182T
- Approx. Ship Wt. (Less Motor) - 215 lbs.
- Number of Keyslots - 8 for 3/8" bolt
- Wall Opening (Round) - 22"
- Wall Opening (Square) - 24"

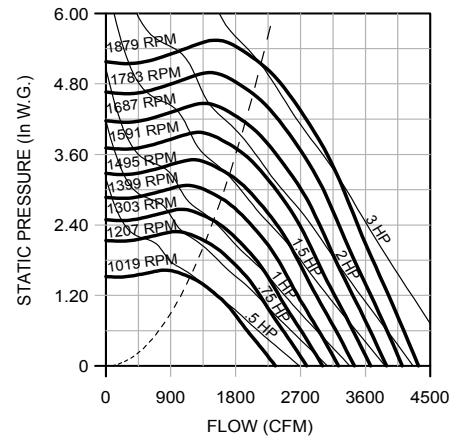
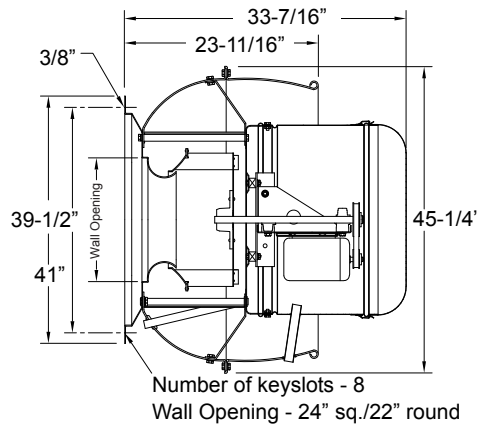
- Material Gauges
- Top Cap Lid - .063
- Top Cap Cylinder - .040
- Baffle - .080
- Base - .100



225 ACWB-XP

- Wheel Diameter - 22.5"
- Tip Speed (FPM) - 5.9 x RPM
- Maximum RPM - 1879
- Maximum BHP - $1.6 \times (\text{RPM}/1000)^3$
- Maximum Motor Frame - 182T
- Approx. Ship Wt. (Less Motor) - 215 lbs.
- Number of Keyslots - 8 for 3/8" bolt
- Wall Opening (Round) - 22"
- Wall Opening (Square) - 24"

- Material Gauges
- Top Cap Lid - .063
- Top Cap Cylinder - .040
- Baffle - .080
- Base - .100



Performance certified is for Installation Type A: free inlet, free outlet. Power rating (BHP) does not include transmission losses. Performance ratings do not include the effects of appurtenances (accessories). The sound ratings shown are loudness values in fan sones at 5 ft. (1.5m) in a hemispherical free field calculated per AMCA Standard 301. Values shown are for Installation Type A: free inlet hemispherical sone levels.

225 ACWB

Catalog Number	Mtr. HP/ Drv. Wt.	Fan RPM	Tip Speed	CFM at Static Pressure																							
				0.000" SP		0.125" SP		0.250" SP		0.375" SP		0.500" SP		0.625" SP		0.750" SP		0.875" SP		1.000" SP		1.250" SP		1.500" SP			
				Sone	BHP	Sone	BHP	Sone	BHP	Sone	BHP	Sone	BHP	Sone	BHP	Sone	BHP	Sone	BHP	Sone	BHP	Sone	BHP	Sone	BHP		
225W3B	1/4 15 lbs.	533	3139	3684		3333		2854		2357																	
				8.4	.20	8.0	.24	7.4	.24	6.6	.25																
225W4B	1/3 19 lbs.	589	3469	4071		3753		3381		2873																	
				10.2	.27	9.8	.32	9.4	.32	8.5	.33																
225W5B	1/2 23 lbs.	677	3987	4680		4400		4119		3730		3288		2938													
				13.1	.41	12.7	.49	12.3	.48	11.8	.49	10.9	.49	10.2	.50												
225W6B	3/4 31 lbs.	779	4588	5385		5138		4904		4637		4281		3887		3565											
				17.3	.63	16.8	.74	16.4	.75	16.0	.73	15.4	.74	14.7	.75	14.0	.76										
225W7B	1 36 lbs.	819	4824	5661		5426		5204		4964		4655		4280		3932		3645									
				18.9	.73	18.5	.86	18.1	.87	17.7	.85	17.2	.85	16.5	.87	15.9	.87	15.2	.89								
		859	5059	5938		5712		5500		5279		5011		4671		4313		4010		3741							
225W8B	1-1/2 38 lbs.	923	5436	6380		6169		5971		5771		5548		5271		4942		4612		4330							
				24	1.05	23	1.20	23	1.25	22	1.24	22	1.22	21	1.22	21	1.24	20	1.25	19.5	1.26						
		986	5808	6816		6616		6430		6246		6049		5822		5544		5231		4923		4422					
225W9B	2 50 lbs.	1036	6102	7161		6970		6793		6618		6437		6236		5997		5716		5414		4878		4427			
				29	1.48	29	1.68	28	1.75	28	1.77	27	1.74	27	1.72	27	1.72	26	1.75	25	1.76	24	1.78	23	1.81		
		1087	6402	7514		7332		7161		6994		6824		6643		6435		6191		5913		5357		4907			
				32	1.71	32	1.92	31	2.02	31	2.04	30	2.03	30	2.00	29	1.98	29	2.00	28	2.02	27	2.04	26	2.07		

225 ACWB-HP

Catalog Number	Mtr. HP/ Drv. Wt.	Fan RPM	Tip Speed	CFM at Static Pressure																							
				0.250" SP		0.375" SP		0.500" SP		0.750" SP		1.000" SP		1.250" SP		1.500" SP		1.750" SP		2.000" SP		2.250" SP		2.500" SP			
				Sone	BHP	Sone	BHP	Sone	BHP	Sone	BHP	Sone	BHP	Sone	BHP	Sone	BHP	Sone	BHP	Sone	BHP	Sone	BHP	Sone	BHP		
225WH5B	1/2 23 lbs.	606	3569	2553		2159		1479																			
				7.3	.23	7.0	.24	6.3	.22																		
225WH6B	3/4 31 lbs.	779	4588	3634		3370		3074		2328																	
				14.2	.46	13.9	.49	13.7	.50	13.1	.50																
225WH7B	1 36 lbs.	897	5283	4315		4110		3875		3356		2659															
				17.2	.69	17.0	.72	16.7	.74	16.3	.76	15.6	.77														
		989	5825	4830		4656		4459		4009		3521		2800													
225WH8B	1-1/2 38 lbs.	1063	6261	5238		5082		4910		4511		4073		3584		2781											
				21	1.11	21	1.15	21	1.19	21	1.25	20	1.27	19.7	1.28	18.8	1.22										
		1136	6691	5638		5495		5341		4987		4588		4169		3662		2808									
225WH9B	2 50 lbs.	1194	7033	5953		5819		5677		5354		4985		4593		4174		3604									
				26	1.55	26	1.60	26	1.64	25	1.72	24	1.78	23	1.80	23	1.81	22	1.81								
		1251	7369	6262		6135		6002		5705		5364		4996		4615		4180		3542							
225WH10B	3 74 lbs.	1343	7910	6757		6641		6520		6257		5958		5628		5281		4924		4520		3958					
				34	2.18	34	2.23	34	2.28	34	2.38	33	2.47	32	2.53	32	2.55	31	2.57	31	2.58	30	2.57				
		1436	8458	7256		7148		7037		6801		6536		6241		5926		5600		5266		4893		4408			
				40	2.65	40	2.71	40	2.76	40	2.86	40	2.96	39	3.05	39	3.10	38	3.12	38	3.14	38	3.15	37	3.16		

225 ACWB-XP

Catalog Number	Mtr. HP/ Drv. Wt.	Fan RPM	Tip Speed	CFM at Static Pressure																							
				1.000" SP		1.250" SP		1.500" SP		1.750" SP		2.000" SP		2.250" SP		2.500" SP		3.000" SP		3.500" SP		4.000" SP		4.500" SP			
				Sone	BHP	Sone	BHP	Sone	BHP	Sone	BHP	Sone	BHP	Sone	BHP	Sone	BHP	Sone	BHP	Sone	BHP	Sone	BHP	Sone	BHP		
225WX5B	1/2 23 lbs.	1019	6002	1710		1493		1190																			
				11.5	.48	11.4	.51	11.3	.48																		
225WX6B	3/4 31 lbs.	1173	6909	2147		2013		1847		1635																	
				14.9	.69	14.9	.73	14.8	.76	14.7	.77																
225WX7B	1 36 lbs.	1294	7622	2474		2353		2232		2089		1908		1700													
				17.3	.89	17.2	.93	17.1	.97	17.0	1.01	16.9	1.03	16.9	1.02												
225WX8B	1-1/2 38 lbs.	1390	8187	2731		2613		2502		2388		2255		2091		1905											
				19.2	1.08	19.0	1.12	18.9	1.17	18.8	1.21	18.8	1.25	18.7	1.28	18.6	1.28										
		1486	8753	2986		2871		2763		2660		2553		2430		2282		1924									
225WX9B	2 50 lbs.	1562	9200	3185		3075		2968		2868		2770		2666		2547		2247		1852							
				23	1.48	23	1.53	23	1.58	23	1.63	22	1.68	22	1.73	22	1.77	22	1.82	22	1.75						
		1637	9642	3380		3274		3170		3071		2977		2882		2782		2534		2221							
225WX10B	3 74 lbs.	1718	10119	3587		3487		3387		3289		3197		3107		3017		2813		2548		2232					
				27	1.92	27	1.98	27	2.04	27	2.09	26	2.14	26	2.20	26	2.25	26	2.35	26	2.42	26	2.39				
		1799	10597	3793		3698		3602		3507		3415		3328		3243		3065		2847		2576		2254			
		1879	11068	3994		3904		3812		3720		3630		3544		3461		3297		3114		2885		2614			
				32	2.45	32	2.52	31	2.59	31	2.65	31	2.71	31	2.77	31	2.83	30	2.95	30	3.06	30	3.15	30	3.16		

Performance certified is for Installation Type A: free inlet, free outlet. Power rating (BHP) does not include transmission losses. Performance ratings do not include the effects of appurtenances (accessories). The sound ratings shown are loudness values in fan sones at 5 ft. (1.5m) in a hemispherical free field calculated per ASMA Standard 301. Values shown are for Installation Type A: free inlet hemispherical sone levels.

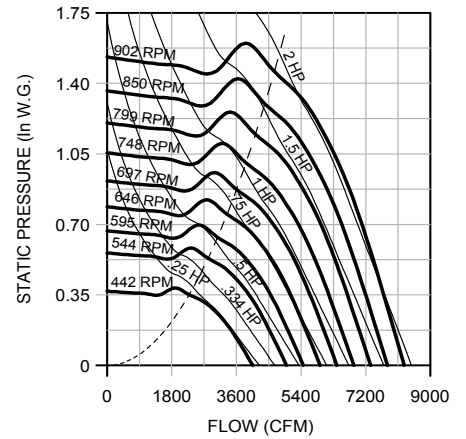
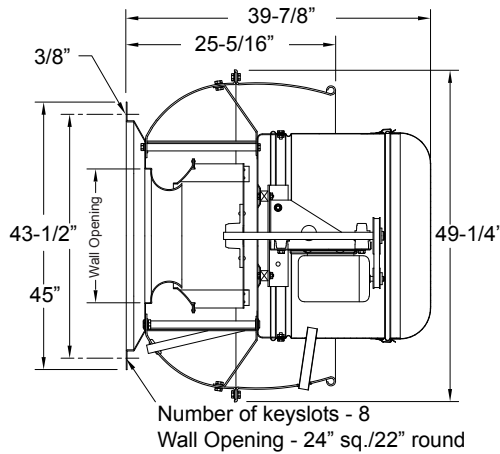
245 ACWB Data

245 ACWB

Wheel Diameter - 24.5"
Tip Speed (FPM) - 6.4 x RPM
Maximum RPM - 901
Maximum BHP - 2.8 x (RPM/1000)³
Maximum Motor Frame - 182T
Approx. Ship Wt. (Less Motor) - 250 lbs.
Number of Keyslots - 8 for 3/8" bolt
Wall Opening (Round) - 22"
Wall Opening (Square) - 24"

Material Gauges

Top Cap Lid - .063
Top Cap Cylinder - .040
Baffle - .080
Base - .100

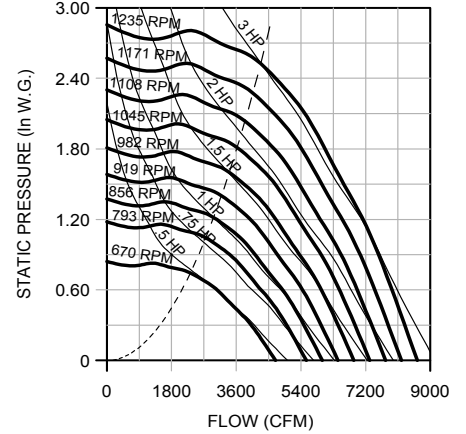
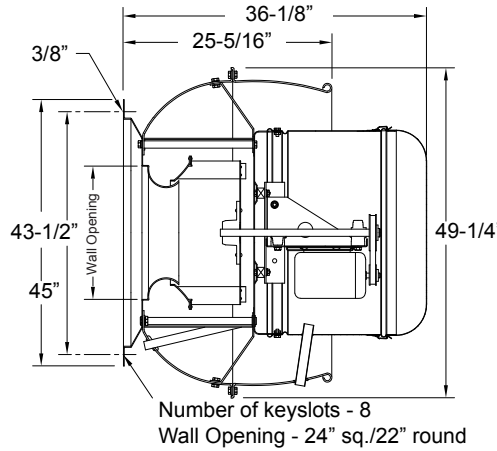


245 ACWB-HP

Wheel Diameter - 24.5"
Tip Speed (FPM) - 6.4 x RPM
Maximum RPM - 1234
Maximum BHP - 2.8 x (RPM/1000)³
Maximum Motor Frame - 182T
Approx. Ship Wt. (Less Motor) - 250 lbs.
Number of Keyslots - 8 for 3/8" bolt
Wall Opening (Round) - 22"
Wall Opening (Square) - 24"

Material Gauges

Top Cap Lid - .063
Top Cap Cylinder - .040
Baffle - .080
Base - .100

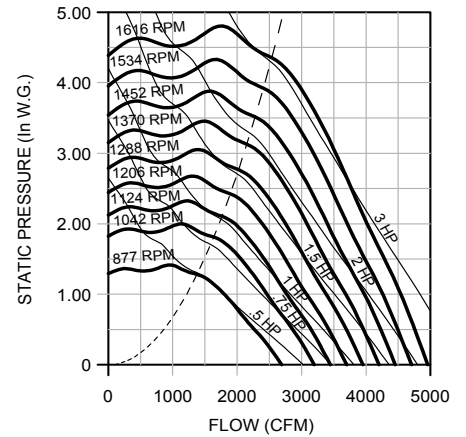
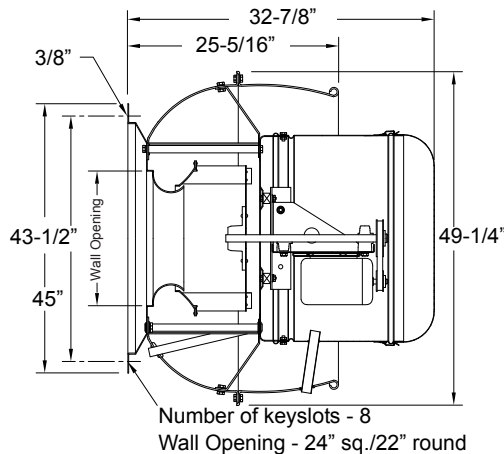


245 ACWB-XP

Wheel Diameter - 24.5"
Tip Speed (FPM) - 6.4 x RPM
Maximum RPM - 1616
Maximum BHP - 2.8 x (RPM/1000)³
Maximum Motor Frame - 182T
Approx. Ship Wt. (Less Motor) - 250 lbs.
Number of Keyslots - 8 for 3/8" bolt
Wall Opening (Round) - 22"
Wall Opening (Square) - 24"

Material Gauges

Top Cap Lid - .063
Top Cap Cylinder - .040
Baffle - .080
Base - .100



Performance certified is for Installation Type A: free inlet, free outlet. Power rating (BHP) does not include transmission losses. Performance ratings do not include the effects of appurtenances (accessories). The sound ratings shown are loudness values in fan sones at 5 ft. (1.5m) in a hemispherical free field calculated per AMCA Standard 301. Values shown are for Installation Type A: free inlet hemispherical sone levels.

245 ACWB

Catalog Number	Mtr. HP/ Drv. Wt.	Fan RPM	Tip Speed	CFM at Static Pressure																					
				0.000" SP		0.125" SP		0.250" SP		0.375" SP		0.500" SP		0.625" SP		0.750" SP		0.875" SP		1.000" SP		1.250" SP		1.500" SP	
				Sone	BHP	Sone	BHP	Sone	BHP	Sone	BHP	Sone	BHP	Sone	BHP	Sone	BHP	Sone	BHP	Sone	BHP	Sone	BHP	Sone	BHP
245W3B	1/4 15 lbs.	442	2835	4058		3639		3116																	
				7.2	.22	6.8	.24	6.3	.24																
245W4B	1/3 19 lbs.	489	3136	4490		4114		3691		3060															
				9.0	.30	8.6	.32	8.2	.33	7.3	.33														
245W5B	1/2 23 lbs.	561	3598	5151		4825		4481		4067		3471													
				11.9	.45	11.6	.48	11.3	.50	11.0	.50	9.7	.49												
245W6B	3/4 31 lbs.	646	4143	5931		5649		5359		5047		4674		4185											
				14.8	.69	14.5	.72	14.2	.75	13.9	.77	13.6	.76	12.7	.76										
245W7B	1 36 lbs.	679	4355	6234		5966		5692		5402		5074		4662		4104									
				16.1	.80	15.7	.83	15.4	.86	15.1	.88	14.7	.89	14.4	.88	13.0	.87								
245W7B	36 lbs.	712	4566	6537		6282		6022		5750		5453		5098		4650		3955							
				17.2	.92	16.9	.95	16.6	.99	16.3	1.01	15.9	1.03	15.5	1.02	14.7	1.01	13.5	.95						
245W8B	1-1/2 38 lbs.	765	4906	7023		6786		6546		6297		6035		5741		5391		4962		4325					
				19.7	1.14	19.4	1.18	19.0	1.21	18.7	1.25	18.3	1.27	17.8	1.27	17.3	1.27	16.4	1.25	15.4	1.19				
245W8B	38 lbs.	818	5246	7510		7288		7064		6835		6596		6341		6052		5713		5307					
				22	1.39	22	1.43	22	1.47	21	1.51	21	1.54	21	1.56	20	1.56	19.7	1.54	18.7	1.53				
245W9B	2 50 lbs.	860	5516	7896		7685		7472		7255		7032		6797		6542		6251		5912		4947			
				24	1.62	24	1.66	24	1.70	24	1.74	23	1.78	23	1.80	22	1.81	22	1.81	22	1.79	19.3	1.71		
245W9B	50 lbs.	902	5785	8281		8080		7878		7672		7461		7243		7011		6756		6465		5738			
				27	1.86	27	1.91	26	1.96	26	2.00	26	2.04	25	2.07	25	2.08	24	2.09	24	2.08	22	2.05		

245 ACWB-HP

Catalog Number	Mtr. HP/ Drv. Wt.	Fan RPM	Tip Speed	CFM at Static Pressure																					
				0.250" SP		0.375" SP		0.500" SP		0.750" SP		1.000" SP		1.250" SP		1.500" SP		1.750" SP		2.000" SP		2.250" SP		2.500" SP	
				Sone	BHP	Sone	BHP	Sone	BHP	Sone	BHP	Sone	BHP	Sone	BHP	Sone	BHP	Sone	BHP	Sone	BHP	Sone	BHP	Sone	BHP
245WH5B	1/2 23 lbs.	670	4297	4143		3805		3393																	
				10.6	.47	10.0	.49	9.4	.50																
245WH6B	3/4 31 lbs.	771	4945	4929		4675		4369		3661															
				14.2	.71	13.8	.73	13.3	.74	12.0	.77														
245WH7B	1 36 lbs.	811	5201	5233		4998		4730		4061		3255													
				15.3	.81	15.0	.84	14.6	.86	13.4	.89	12.1	.88												
245WH7B	36 lbs.	850	5451	5528		5307		5065		4442		3783													
				16.5	.93	16.2	.96	15.8	.98	14.7	1.02	13.5	1.03												
245WH8B	1-1/2 38 lbs.	913	5856	5999		5796		5583		5056		4458		3732											
				18.4	1.14	18.2	1.18	17.8	1.20	16.9	1.25	15.8	1.28	14.7	1.26										
245WH8B	38 lbs.	976	6260	6466		6279		6084		5640		5075		4522		3721									
				20	1.38	20	1.42	19.9	1.45	19.1	1.50	18.1	1.55	17.1	1.56	16.1	1.52								
245WH9B	2 50 lbs.	1026	6580	6835		6657		6475		6076		5564		5036		4446									
				22	1.59	22	1.64	22	1.68	21	1.72	19.9	1.75	18.9	1.81	18.1	1.80								
245WH9B	50 lbs.	1076	6901	7201		7033		6860		6494		6044		5526		5027		4353							
				24	1.82	24	1.87	24	1.92	23	1.98	22	2.03	21	2.08	20	2.09	19.2	2.05						
245WH10B	3 74 lbs.	1156	7414	7785		7628		7470		7140		6769		6307		5832		5364		4738					
				27	2.23	27	2.30	27	2.35	27	2.43	26	2.48	25	2.54	24	2.59	23	2.59	22	2.55				
245WH10B	74 lbs.	1235	7921	8358		8212		8065		7762		7437		7055		6603		6166		5725		5153			
				31	2.70	31	2.77	31	2.84	30	2.93	30	2.99	29	3.05	28	3.12	27	3.16	26	3.16	25	3.12		

245 ACWB-XP

Catalog Number	Mtr. HP/ Drv. Wt.	Fan RPM	Tip Speed	CFM at Static Pressure																					
				1.000" SP		1.250" SP		1.500" SP		1.750" SP		2.000" SP		2.250" SP		2.500" SP		3.000" SP		3.500" SP		4.000" SP		4.500" SP	
				Sone	BHP	Sone	BHP	Sone	BHP	Sone	BHP	Sone	BHP	Sone	BHP	Sone	BHP	Sone	BHP	Sone	BHP	Sone	BHP	Sone	BHP
245WX5B	1/2 23 lbs.	877	5625	1801		1469																			
				10.8	.50	10.5	.50																		
245WX6B	3/4 31 lbs.	1009	6471	2337		2137		1898																	
				14.5	.73	14.4	.76	14.1	.77																
245WX7B	1 36 lbs.	1113	7138	2730		2555		2374		2164		1887													
				17.6	.94	17.6	.98	17.6	1.02	17.3	1.03	17.1	1.01												
245WX8B	1-1/2 38 lbs.	1195	7664	3038		2866		2705		2534		2338		2099											
				20	1.14	19.7	1.18	20	1.23	19.9	1.26	19.7	1.28	19.5	1.26										
245WX8B	38 lbs.	1278	8197	3348		3178		3023		2872		2711		2530		2320									
				22	1.37	22	1.41	22	1.46	22	1.51	22	1.55	21	1.56	21	1.56								
245WX9B	2 50 lbs.	1343	8614	3586		3422		3267		3123		2978		2822		2647									
				24	1.56	23	1.61	23	1.66	23	1.71	23	1.76	23	1.80	23	1.82								
245WX9B	50 lbs.	1408	9031	3820		3665		3511		3369		3233		3093		2941		2585							
				25	1.78	25	1.83	25	1.88	24	1.94	24	1.99	24	2.04	24	2.08	24	2.08						
245WX10B	3 74 lbs.	1477	9473	4063		3920		3771		3628		3495		3365		3231		2928		2530					
				27	2.03	27	2.09	27	2.14	26	2.20	26	2.25	26	2.31	26	2.36	26	2.42	25	2.38				
245WX10B	74 lbs.	1546	9916	4302		4170		4029		3888		3755		3629		3505		3237		2923					
				29	2.30	29	2.37	29	2.43	28	2.48	28	2.54	28	2.60	28	2.66	27	2.75	27	2.77				
245WX10B	74 lbs.	1616	10365	4540		4419		4287		4150		4018		3894		3774		3531		2931					
				31	2.59	31	2.67	31	2.74	31	2.80	30	2.85	30	2.92	30	2.98	30	3.09	29	3.16	29	3.15		

Performance certified is for Installation Type A: free inlet, free outlet. Power rating (BHP) does not include transmission losses. Performance ratings do not include the effects of appurtenances (accessories). The sound ratings shown are loudness values in fan sones at 5 ft. (1.5m) in a hemispherical free field calculated per AMCA Standard 301. Values shown are for Installation Type A: free inlet hemispherical sone levels. **Shaded area indicates reinforced wheel required.**

Related Products

VCR Upblast Centrifugal Restaurant Exhaust Ventilator

COOK Restaurant Exhaust Ventilator provides maximum performance and durability in kitchen hood exhaust applications.

- VCR unit top cap assembly is designed to provide weather protection for the motor and drive components while maintaining easy tool free access for inspection and maintenance.
- Standard lifting lugs, located under the top cap, provide for safe, fast and efficient lifting of the unit to a rooftop.
- One piece fan base, which includes a high-efficiency inlet venturi and continuously welded curb cap corners, insures weathertight conditions.
- One piece spun aluminum leak-free baffle is designed to provide smooth, turbulent-free airflow.
- Wheels are centrifugal type featuring non-overloading, backward-inclined blades and a tapered inlet shroud.
- Optional Wall Mounting Flange is available up to size 245.
- Accurate performance is assured through compliance with the AMCA Certified Ratings Program. All units are licensed to bear the AMCA Certified Ratings Seal for Air and Sound Performance.
- Grease accessories available.



- VCR available in 6 direct drive sizes and 17 belt drive sizes. Capacities range from 400 to 28,800 CFM, with static pressures from 0 to 1-1/2 inches.
- VCR-HP available in 4 direct drive sizes and 11 belt drive high pressure sizes. Capacities range from 700 to 19,200 CFM, with static pressures from 1/4 to 2-1/2 inches.
- VCR-XP available in 3 direct drive sizes and 10 belt drive extended pressure sizes. Capacities range from 800 to 11,000 CFM, with static pressures from 1 to 4-1/2 inches.
- VCRD-EC models with electronically commutated (EC) motors are available in 6 direct drive sizes with capacities from 74 to 2598 cfm.

SRSH Tamper Proof Downblast Centrifugal Exhaust Ventilator

SRSH Tamper Proof Downblast Centrifugal Exhaust Ventilators provide maximum performance and durability in a wide variety of commercial and industrial air moving applications. All units are tested in COOK's AMCA registered laboratory in accordance with AMCA standards and are licensed to bear the AMCA Certified Ratings Seal for Air Performance. They are listed by Underwriters Laboratories (UL 705) and UL listed for Canada (cUL 705).





LOREN COOK COMPANY

2015 E. DALE STREET
SPRINGFIELD, MO 65803-4637

417.869.6474

FAX 417.862.3820

lorencook.com