

## Application

Model OFSD-212 is approved for use in walls, partitions, and floors with fire resistance ratings less than 3 hours. OFSD-212 is an 'out of the wall' combination fire smoke damper with 3V style blades. Removal of wall grille allows access to actuator and other components. This model's operational ratings of 2000 fpm (10.2 m/s) and pressures to 4 in. wg (1 kPa). Model OFSD-212 shall be installed vertically (with blades running horizontal) or horizontally and is rated for airflow and leakage in either direction.

## UL555 Fire Resistance Ratings

### Fire Rating

1½ hours in walls

### Dynamic Closure

Actual limits are size dependent

### Maximum Velocity

2000 fpm (10.2 m/s)

### Maximum Pressure

4 in. wg. (1 kPa) - differential pressure

## UL555S Leakage Ratings

### Leakage Class

II

### Operational Rating

Actual limits are size dependent

### Maximum Velocity

2000 fpm (10.2 m/s)

### Maximum Pressure

4 in. wg (1 kPa)

### Maximum Temperature

350°F (177°C) - depending upon the actuator

## Size Limitations

W x H	Minimum Size	Maximum Size Single Section
Inches	8 x 8	36 x 36
mm	203 x 203	914 x 914



W & H dimensions furnished approximately ¼ in. (6 mm) undersize. Add blanket thickness ⅜ in. (3 mm) and sleeve thickness for overall sleeved damper dimension.

Oversize wall opening as follows: Nominal damper size plus ⅝ in.(9.5 mm).



See complete marking on product.

UL 555 and UL 555S Classification R13317

CAN/ULC S112 Classified Fire Damper

CAN/ULC S112.1 Classified Smoke Damper

Model OFSD-212 meets the requirements for fire dampers, smoke dampers and combination fire smoke dampers established by:

### National Fire Protection Association

NFPA Standards 80, 90A, 92, 101 & 105

### IBC International Building Codes

### CSFM California State Fire Marshal

Fire Damper Listing (#3225-0981:103)

Leakage (Smoke) Damper Listing (#3230-0981:104)

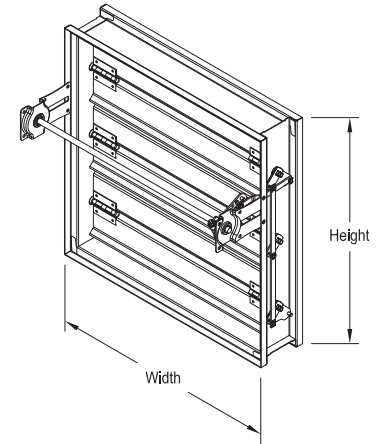
## Construction

	Standard	Optional
<b>Frame Material</b>	Galvanized Steel	-
<b>Frame Thickness</b>	16 ga. (1.5 mm)	-
<b>Frame Type</b>	5 in. x 1 in. (127 mm x 25 mm) hat channel	-
<b>Blade Action</b>	Parallel	-
<b>Blade Material</b>	Galvanized Steel	-
<b>Blade Orientation</b>	Horizontal	-
<b>Blade Thickness</b>	16 ga. (1.5 mm)	-
<b>Blade Type</b>	3V	-
<b>Linkage</b>	Plated steel out of air-stream, concealed in jamb	-
<b>Axle Bearings</b>	316SS	-
<b>Axle Material</b>	Plated Steel	-
<b>Blade Seals</b>	Silicone	-
<b>Jamb Seals</b>	Stainless Steel	-
<b>Closure Device</b>	RRL	RRL/OCI, TOR, Fusible Link
<b>Closure Temperature</b>	165°F (74°C)	212°F (100°C), 250°F (121°C), 286°F (141°C)*, 350°F (177°C)
<b>Mounting</b>	Vertical	Horizontal

\*only available with fusible link

### Note:

The frames are constructed with reinforced corners. Low profile head and sill are used on sizes less than 17 in. (432 mm) high for lower pressure drop and improved damper performance.

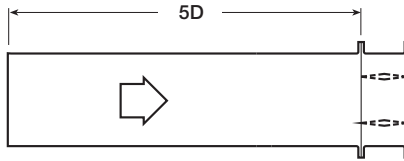


## Options

- [BACnet test module - 120V](#)
- [BACnet test module - 24V](#)
- Clean wrap
- [Greenheck test switches \(GTS\)](#)
- Grille tabs
- [Momentary test switch](#)
- [Retaining angles](#)
- Sealed transitions and sleeves
- [Smoke detector - no flow](#)
- [Smoke detector - low flow](#)
- Transitions: R, C, O

# Pressure Drop

## AMCA Figure 5.2



12 in. x 12 in. (305 mm x 305 mm)

Velocity (fpm)	Pressure Drop (in. wg)
500	0.04
1000	0.14
1500	0.31
2000	0.55
2500	0.86
3000	1.24
3500	1.69
4000	2.20

24 in. x 24 in. (610 mm x 610 mm)

Velocity (fpm)	Pressure Drop (in. wg)
500	0.02
1000	0.07
1500	0.16
2000	0.29
2500	0.45
3000	0.65
3500	0.89
4000	1.16

36 in. x 36 in. (914 mm x 914 mm)

Velocity (fpm)	Pressure Drop (in. wg)
500	0.01
1000	0.04
1500	0.09
2000	0.16
2500	0.25
3000	0.36
3500	0.49
4000	0.64

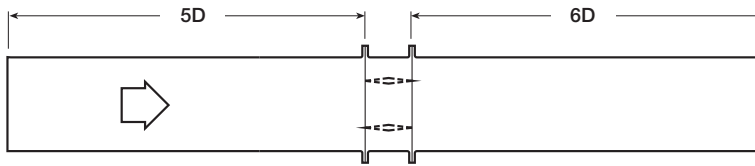
12 in. x 48 in. (305 mm x 1219 mm)

Velocity (fpm)	Pressure Drop (in. wg)
500	0.01
1000	0.06
1500	0.13
2000	0.23
2500	0.36
3000	0.52
3500	0.70
4000	0.92

48 in. x 12 in. (1219 mm x 305 mm)

Velocity (fpm)	Pressure Drop (in. wg)
500	0.03
1000	0.10
1500	0.23
2000	0.41
2500	0.63
3000	0.91
3500	1.24
4000	1.62

## AMCA Figure 5.3



12 in. x 12 in. (305 mm x 305 mm)

Velocity (fpm)	Pressure Drop (in. wg)
500	0.02
1000	0.09
1500	0.20
2000	0.36
2500	0.56
3000	0.81
3500	1.10
4000	1.44

24 in. x 24 in. (610 mm x 610 mm)

Velocity (fpm)	Pressure Drop (in. wg)
500	0.01
1000	0.04
1500	0.09
2000	0.16
2500	0.25
3000	0.35
3500	0.48
4000	0.63

36 in. x 36 in. (914 mm x 914 mm)

Velocity (fpm)	Pressure Drop (in. wg)
500	0.01
1000	0.03
1500	0.06
2000	0.11
2500	0.17
3000	0.24
3500	0.33
4000	0.42

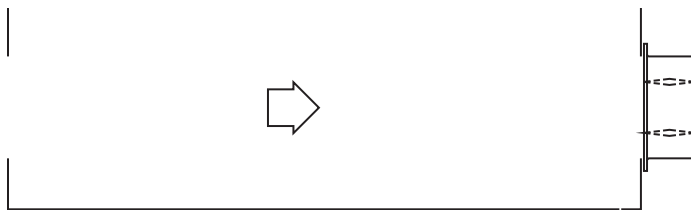
12 in. x 48 in. (305 mm x 1219 mm)

Velocity (fpm)	Pressure Drop (in. wg)
500	0.01
1000	0.04
1500	0.10
2000	0.17
2500	0.27
3000	0.39
3500	0.53
4000	0.70

48 in. x 12 in. (1219 mm x 305 mm)

Velocity (fpm)	Pressure Drop (in. wg)
500	0.02
1000	0.07
1500	0.16
2000	0.29
2500	0.45
3000	0.64
3500	0.88
4000	1.14

## AMCA Figure 5.5



12 in. x 12 in. (305 mm x 305 mm)

Velocity (fpm)	Pressure Drop (in. wg)
500	0.06
1000	0.22
1500	0.50
2000	0.89
2500	1.39
3000	2.00
3500	2.72
4000	3.55

24 in. x 24 in. (610 mm x 610 mm)

Velocity (fpm)	Pressure Drop (in. wg)
500	0.03
1000	0.14
1500	0.31
2000	0.54
2500	0.85
3000	1.22
3500	1.66
4000	2.17

36 in. x 36 in. (914 mm x 914 mm)

Velocity (fpm)	Pressure Drop (in. wg)
500	0.03
1000	0.12
1500	0.26
2000	0.46
2500	0.73
3000	1.05
3500	1.42
4000	1.86

12 in. x 48 in. (305 mm x 1219 mm)

Velocity (fpm)	Pressure Drop (in. wg)
500	0.03
1000	0.13
1500	0.30
2000	0.53
2500	0.83
3000	1.19
3500	1.62
4000	2.11

48 in. x 12 in. (1219 mm x 305 mm)

Velocity (fpm)	Pressure Drop (in. wg)
500	0.04
1000	0.17
1500	0.38
2000	0.67
2500	1.04
3000	1.50
3500	2.05
4000	2.67

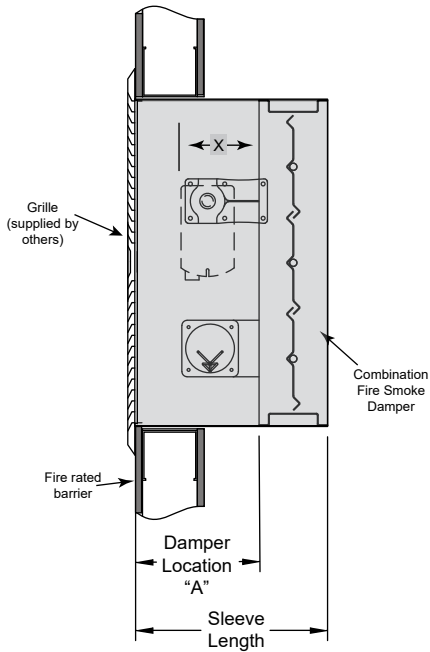


Greenheck Fan Corporation certifies that the model OFSD-212 shown herein is licensed to bear the AMCA Seal. The ratings shown are based on tests and procedures performed in accordance with AMCA Publication 511 and comply with the requirements of the AMCA Certified Ratings Programs. The AMCA Certified Ratings Seal applies to air performance ratings only.

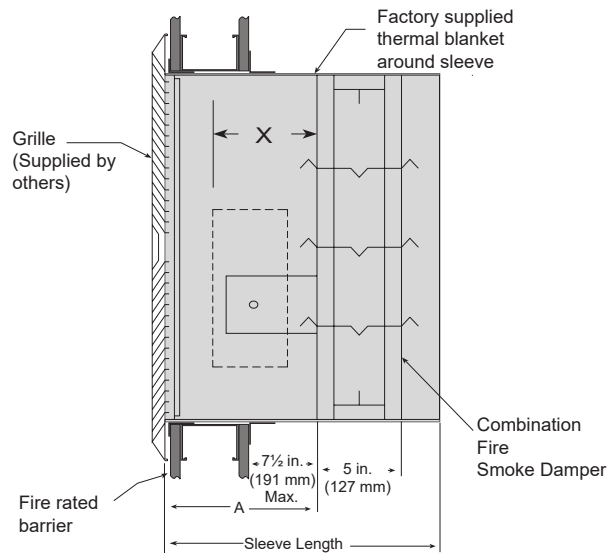
## Application Data

### Actuator Space Envelopes

The drawing below and corresponding table show the minimum dimensions required for internal actuator mounting on OFSD-212. The standard mounting locations provide enough space for the mounting of actuators and controls plus allowing space for a grille.



OFSD's that don't require a breakaway connection



OFSD's that require a breakaway connection

Actuator Type/Model	'X' Dimension
FSLF24-S, 120, 230-S Belimo	7½ in (191 mm)
FSNF24, 120, 230-S Belimo	7⅝ in. (187 mm)
FSTF24, 120, 230-S Belimo	7⅞ in (181 mm)
MSXX09 Series Honeywell	7½ in (191 mm)
MSXX04 Series Honeywell	7½ in (191 mm)
MSXX20 Series Honeywell	7½ in (191 mm)

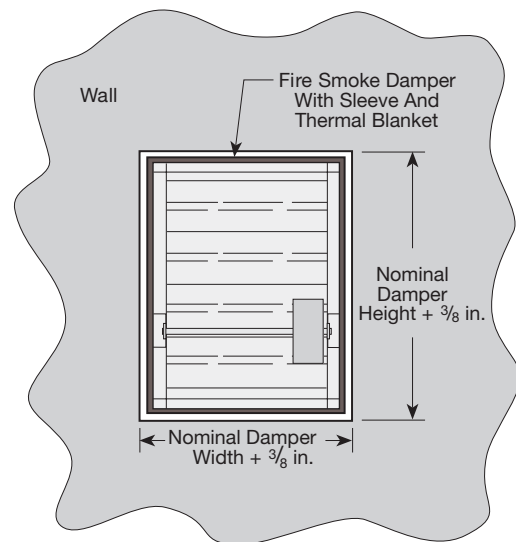
### Sleeve Information

Sleeve length is dependent on actuator, grille depth, OBD depth, and damper height and whether or not a breakaway connection is required on the side opposite the actuator.

'Sleeve Gauge' = 16 ga. or 20 ga. (1.5 mm or 1 mm)

### Wall Opening Sizing

To accommodate for sleeve and thermal blanket thickness, the wall opening must be oversized by ⅜ in. (9.5 mm) as shown. For example, if the nominal damper size required is 18 in. x 14 in. (457 mm x 356 mm), the wall opening size needs to be 18⅜ in. x 14⅜ in. (467 mm x 365 mm). The damper itself is undersized ¼ in. (6mm) on each dimension for an actual damper size of 17¾ in. x 13¾ in. (451 mm x 349 mm). This is also the inside dimensions of the sleeve (for grille considerations).





[INSTALLATION](#)



[CATALOG](#)



[SELECTION GUIDE](#)



[SPECIFICATIONS](#)



[WARRANTY](#)