

Application

CD-45 and CD-46 control dampers employ airfoil blades and a rugged hat channel frame to provide extremely low leakage and exceptional air control in medium to high pressure and velocity applications.

Standard Construction

Frame: 5" x 1" (127 x 25) galvanized steel hat channel with interlocking corner gusset. Equivalent to 13 gauge (2.4) channel frame. Low profile head and sill are used on sizes less than 13" (330) high.

Blades: 6" x 14 gauge (152 x 2.0) equivalent galvanized steel — airfoil. Parallel (CD-45) or opposed (CD-46) action.

Axles: 1/2" (13) diameter plated steel hex.

Linkage: Concealed in frame.

Bearings: Synthetic

Seals: Silicone blade edge seals integrally rolled and mechanically fastened to blades. Flexible metal jamb seals.

Control Shaft: 1/2" x 6" (13 x 152) round drive axle with outboard shaft support bracket and bearing supplied on all single section dampers for field installation. Factory installed 3/4" (19) diameter jackshaft on all multiple section dampers.

Minimum Size: Model CD-45 (one blade): 8" x 6" (203 x 152)
Model CD-45 and CD-46 (two blades): 8" x 10" (203 x 254)

Maximum Size: Single section: 48" x 72" (1219 x 1829)
Multiple sections: Unlimited

Options

- Factory installed actuators:
 - Manual locking quadrant (supplied loose)
 - 24 VAC 120 VAC 230 VAC
 - Pneumatic Modulating
 - External mount (requires sleeve or sideplate option)
 - Internal mount (requires jackshafting)
- Factory installed sleeve. Factory installed side plate.
 - Gauge: 20 (1.0) 16 (1.6)
 - Length: 16" (406) 24" (610) Other _____
- Transitions (sleeve required): Flanged
 - Round Oval
 - Duct connections: DM-25 DM-35 S & Drive
- Flanged frame: One side Both sides
- PI-50 – Dual position indicator switch package.
- Actuator/Quadrant standoff bracket — accommodates up to 3" (76) thick insulated duct.
- Stainless steel oilite sleeve-type bearings.
- Type-304 stainless steel construction.
- Jackshafting (required with internal mounted actuators and standard on all multiple section dampers).
- Vertical mounted blades.
- Face and by-pass assemblies:
 - Model MDFBR Model MDFBH Model MDFBV



Air Performance

Pottorff certifies that the models CD-45 and CD-46 shown herein are licensed to bear the AMCA seal. The ratings shown are based on test and procedures performed in accordance with AMCA Publication 511 and comply with the requirements of the AMCA Certified Ratings Program. The AMCA Certified Ratings seal applies to Air Performance and Air Leakage Ratings.

Information is subject to change without notice or obligation.

Ratings

Damper Width	Maximum System Pressure	Maximum System Velocity
12" (305)	9.0 in. wg (2.2 kPa)	4000 fpm (20.3 m/s)
24" (610)	8.0 in. wg (2.0 kPa)	4000 fpm (20.3 m/s)
36" (914)	6.0 in. wg (1.5 kPa)	3500 fpm (17.8 m/s)
48" (1219)	6.0 in. wg (1.5 kPa)	3000 fpm (15.2 m/s)

AMCA Certified Leakage

Maximum Damper Width	*Leakage Class		
	@ 1 in. wg (0.25 kPa)	@ 4 in. wg (1.0 kPa)	@ 6 in. wg (1.5 kPa)
48" (1219)	1A	1	1

*Leakage Class Definitions:

Leakage Class 1A - 3 cfm/ft² @ 1 in. wg (0.015 m³/s/ m² @ 0.25 kPa)

Leakage Class 1 - 4 cfm/ft² @ 1 in. wg (0.020 m³/s/ m² @ 0.25 kPa)

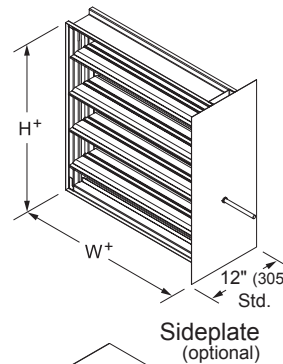
Leakage Class 1 - 8 cfm/ft² @ 4 in. wg (0.041 m³/s/ m² @ 1.0 kPa)

Leakage Class 1 - 9.7 cfm/ft² @ 6 in. wg (0.049 m³/s/ m² @ 1.5 kPa)

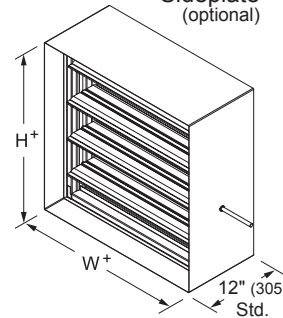
Test Information - Data are based on upon a torque of 8.0 in-lb/ft² (0.90 N-m) applied to close and seat the damper during the test.

Test Method per ANSI/AMCA Standard 500-D-07 (Leakage), Figure 5.4 Alternate.

Temperature: -25°F to 180°F (-32°C to +83°C)

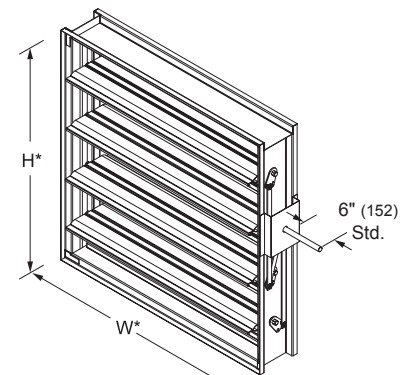


Sideplate (optional)



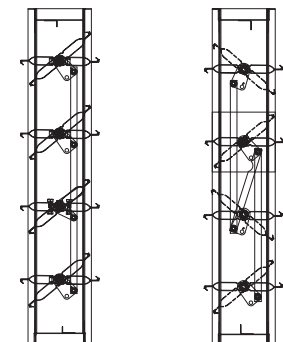
Sleeve (optional)

*Damper dimensions furnished approximately 1/4" (6) undersize (sleeve thickness not included).



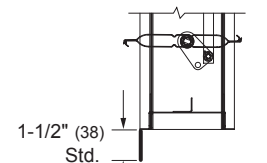
Model **CD-46** (standard)

*Damper dimensions furnished approximately 1/4" (6) undersize. (Drive axle supplied loose for field installation)



CD-45

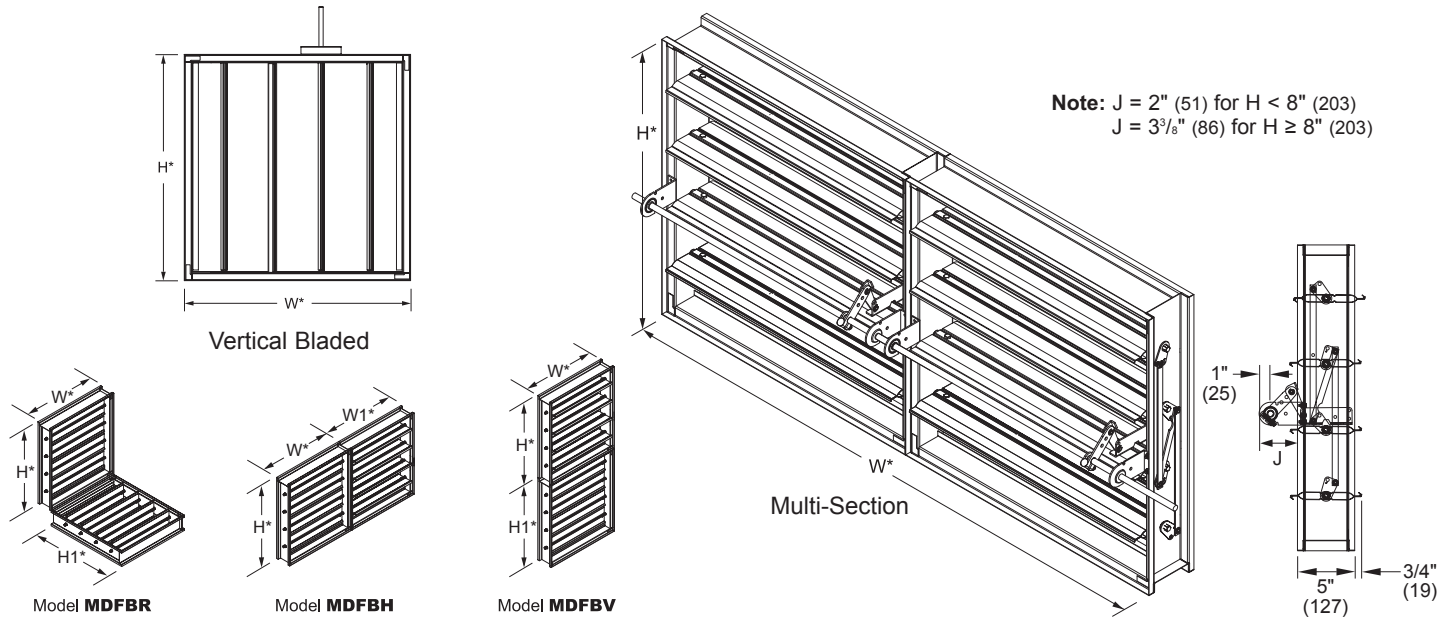
CD-46



Flanged Frame

NOTE: Dimensions in parentheses () are millimeters.

Typical Damper Dimensional Details



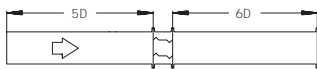
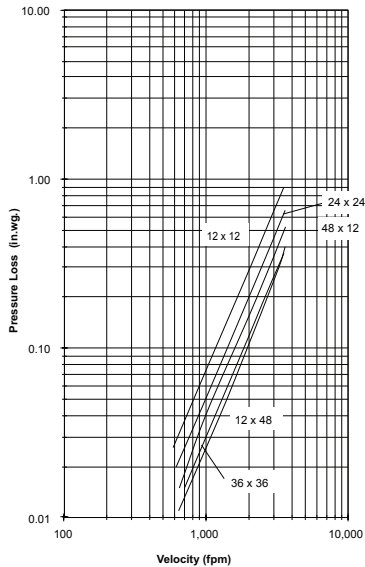
Dampers are designed to be self-supporting in the maximum single section size. When dampers are installed in multiple section assemblies, bracing may be required to support the weight of the dampers and to ensure structural integrity against system pressures. It is recommended that multiple sections be appropriately braced. In horizontal installations, it is recommended that suitable supports be installed every 8 feet of damper width. Dampers installed in vertical multiple assemblies and/or higher system pressures, may require additional bracing.

*Damper dimensions furnished approximately 1/4" (6) undersize.

Airflow Performance Data

Pressure Loss vs. Velocity

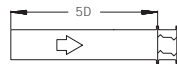
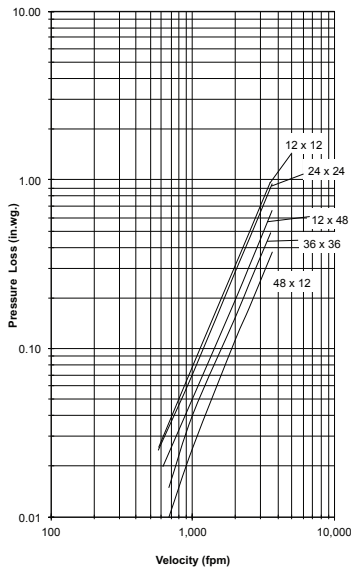
Figure 5.3 — Ducted Inlet and Outlet



Ducted Inlet and Outlet

AMCA Figure 5.3 illustrates a fully ducted damper. This configuration represents the lowest pressure drop of the three test configurations because entrance and exit losses are minimized by straight duct runs upstream and downstream of the damper.

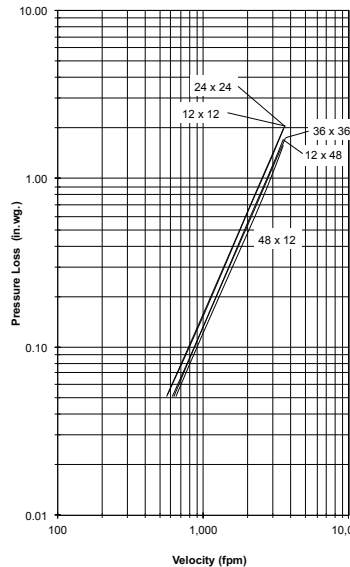
Figure 5.2 — Ducted Inlet



Ducted Inlet

AMCA Figure 5.2 illustrates a ducted damper exhausting air into an open area. This configuration has a lower pressure drop than Figure 5.5 because entrance losses are minimized by a straight duct run upstream of the damper.

Figure 5.5 Plenum Mount



Plenum Mount

AMCA Figure 5.5 illustrates a plenum mounted damper. This configuration has the highest pressure drop because of extremely high entrance and exit losses due to the sudden changes of area in the system.



Certified Ratings:

Pottorff certifies that the model CD-45 and CD-46 shown herein are licensed to bear the AMCA seal. The ratings shown are based on tests and procedures performed in accordance with AMCA publication 511 and comply with the requirements of the AMCA Certified Ratings Program. The AMCA Certified Ratings Seal applies to air performance and leakage ratings.

Pressure drop testing was performed in accordance with AMCA Standard 500-D using the three configurations shown. All data has been corrected to represent air density of 0.075 lb/ft. Actual pressure drop in any ducted HVAC system is a combination of many elements. This information, along with analysis of other system influences, should be used to estimate actual pressure losses for a damper installed in a given HVAC system.