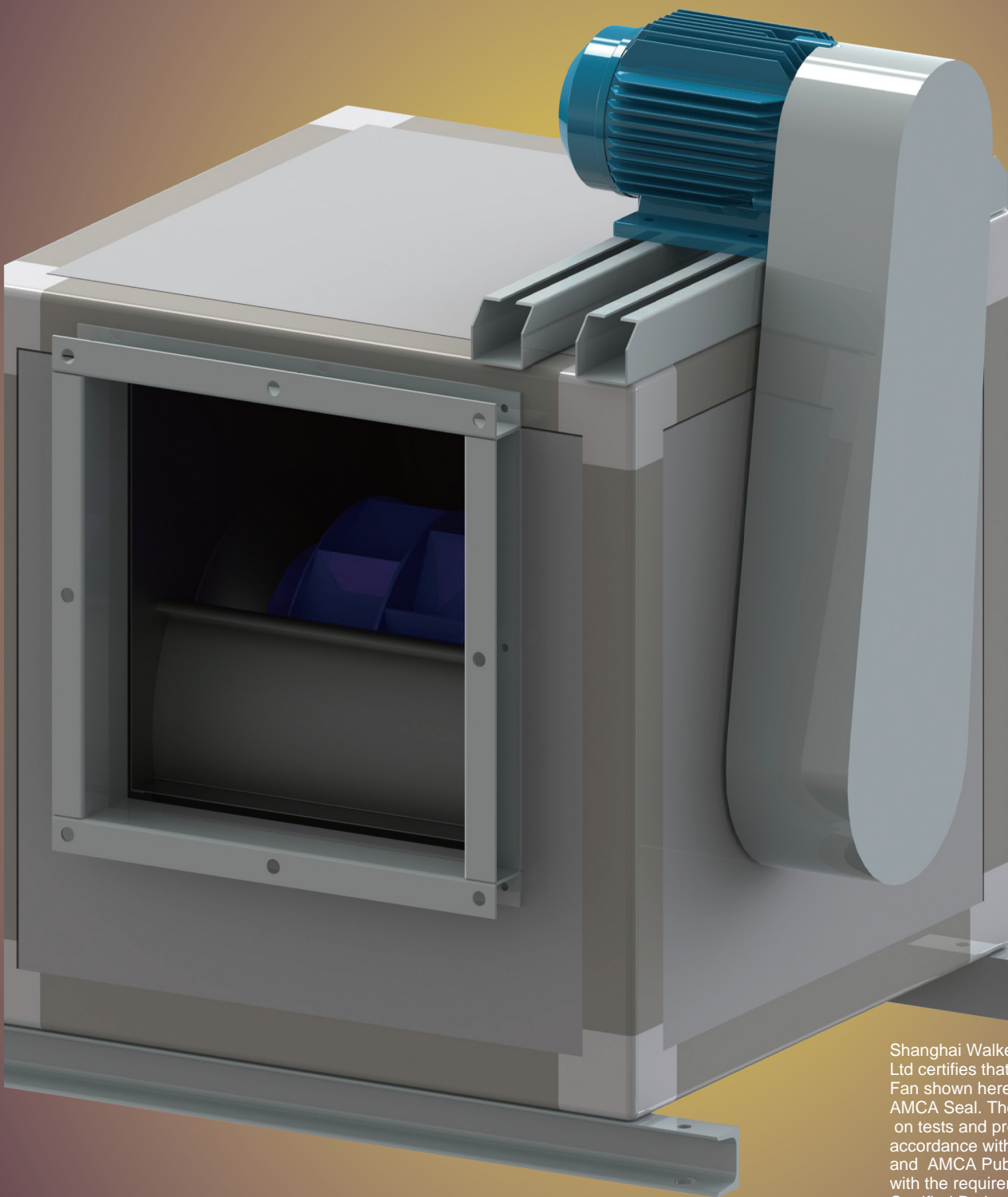


CBF-355

后倾离心风机箱

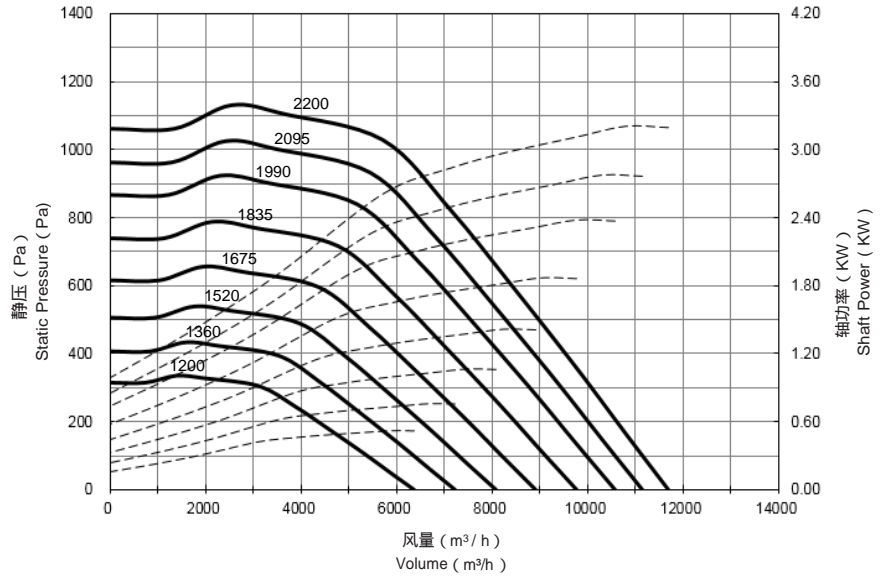
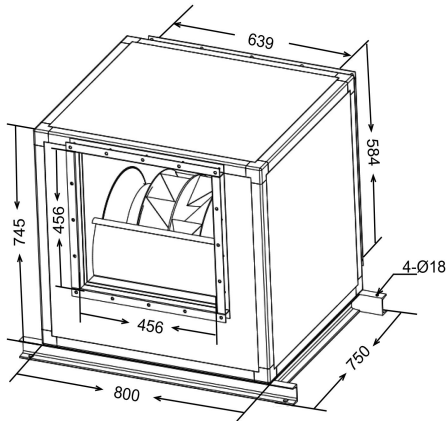


Shanghai Walker General Equipment Co. Ltd certifies that the CBF-355 Centrifugal Fan shown herein is licensed to bear the AMCA Seal. The ratings shown are based on tests and procedures performed in accordance with AMCA Publication 211 and AMCA Publication 311 and comply with the requirements of the AMCA Certified Ratings Program.



Walker Company

叶轮直径 Wheel Diameter – 359 mm
 最大转速 Max RPM – 2200 RPM
 最大风量 Max Volume – 11827m³/h
 最大静压 Max SP – 1018 Pa
 运输体积 Transport volume – 1.48 m³



NO.	转速 RPM	静压 Pa	风量 CMH	静压 in.Wg	八段倍频								声功率级 LwA	声压级@1.5m LpA(dBA)
					1	2	3	4	5	6	7	8		
1	1200	0	6451	0.000	92	89	84	77	75	71	66	62	81	69
		80	5652	0.321	92	88	83	76	73	69	64	62	80	68
		193	4536	0.775	92	84	80	72	69	65	60	61	77	65
		303	3287	1.217	92	81	77	67	65	62	58	60	74	62
2	1360	0	7311	0.000	94	93	88	81	78	75	70	66	85	73
		103	6406	0.413	95	91	87	79	76	73	68	65	83	71
		248	5141	0.996	95	89	84	76	72	69	64	63	80	68
		389	3725	1.564	94	86	81	72	68	65	62	63	77	65
3	1520	0	8171	0.000	97	95	91	84	81	78	73	69	88	76
		128	7159	0.516	97	94	90	83	79	76	71	68	86	74
		310	5746	1.244	97	92	87	80	75	72	67	66	83	71
		486	4164	1.953	97	90	84	76	71	68	65	65	80	68
4	1675	0	9005	0.000	99	98	94	88	83	80	76	71	91	79
		156	7889	0.626	99	97	92	86	81	78	74	70	89	77
		376	6332	1.511	99	95	89	83	78	74	70	68	86	74
		590	4588	2.372	99	94	86	80	73	71	67	67	83	71
5	1835	0	9865	0.000	101	100	96	90	85	83	79	74	93	81
		187	8643	0.752	101	100	95	89	84	81	77	72	92	80
		451	6936	1.813	101	98	92	86	80	77	72	70	89	77
		709	5026	2.846	101	97	89	83	76	73	70	68	86	74
6	1990	0	10698	0.000	103	102	99	93	87	85	81	76	96	84
		220	9373	0.884	103	102	97	92	86	83	79	74	94	82
		531	7522	2.132	103	101	94	89	82	79	75	71	91	79
		833	5451	3.348	103	100	91	86	78	75	72	70	89	77
7	2095	0	11262	0.000	104	103	100	94	89	86	82	77	97	85
		244	9867	0.980	104	103	99	93	87	84	80	76	96	84
		588	7919	2.363	104	103	95	90	83	81	76	72	93	81
		924	5739	3.710	104	102	92	87	79	77	73	71	90	78
8	2200	0	11827	0.000	105	105	102	97	90	87	84	79	99	87
		269	10362	1.080	105	105	100	96	88	86	82	77	97	85
		649	8316	2.606	105	105	97	93	85	82	78	73	95	83
		1018	6026	4.091	105	104	94	91	80	78	74	72	92	80

Performance certified is for installation type B – free inlet, ducted outlet. Power rating (kW) does not include transmission losses. Performance ratings do not include the effects of appurtenances (accessories). Values shown are for inlet Lwi and LwiA sound power levels for installation Type B: free inlet, ducted outlet. The sound power level ratings shown are in decibels, referred to 10-12 watts, calculated per AMCA International Standard 301. The A-weighted sound ratings shown have been calculated per AMCA International Standard 301. Sound pressure level LpA (dBA) are not licensed by AMCA International.



Walker Company

中国 上海

更多详情请登录网站

www.walker-fan.com



CBF, March 2023