

### Application

Model SEDFD-210 is a dynamic rated multi-blade fire damper with 3V style blades. The SEDFD-210 is qualified up to 4,000 fpm (20.3 m/s) and 10 in. wg (2.5 kPa) for dynamic closure in emergency fire situations. This damper may be installed vertically (with blades running horizontal) or horizontally and is rated for airflow in either direction.

### Ratings

#### UL 555 Fire Resistance Rating

Fire Rating: 1½ hours

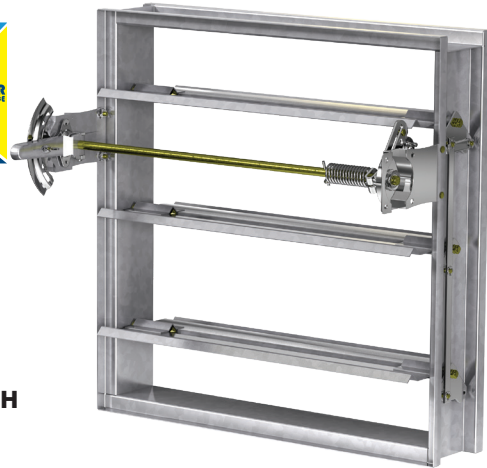
Dynamic Closure Rating: Actual ratings are size dependent

Velocity: Up to 4000 fpm (20.3 m/s)

Pressure: Up to 10 in. wg (2.5 kPa)

### Construction

	Standard	Optional
<b>Frame Material</b>	316SS	-
<b>Frame Material Thickness</b>	16 ga. (1.5 mm)	-
<b>Frame Type</b>	5 in. x 1in. (127 mm x 25 mm) hat channel	-
<b>Blade Material</b>	316SS	-
<b>Blade Material Thickness</b>	16 ga. (1.5mm)	-
<b>Blade Type</b>	3V	-
<b>Blade Action</b>	Parallel	-
<b>Linkage</b>	316SS out of airstream, concealed in jamb	-
<b>Axle Bearings</b>	316SS	-
<b>Axle Material</b>	316SS	-
<b>Jamb Seals</b>	316SS	-
<b>Closure Device</b>	Fusible link - not 316SS	-
<b>Closure Temperature</b>	165°F (74°C)	212°F (100°C), 286°F (141°C)*, 350°F (177°C)
<b>Actuator</b>	Manual quadrant	-



LH

RH

\*W & H dimensions furnished approximately ¼ in. (6 mm) undersize. Add sleeve thickness for overall sleeved damper dimension.



See complete marking on product.

UL 555 Classification R13317

CAN/ULC S112 Classified Fire Damper

Model SEDFD-210 meets the requirements for fire dampers established by:

**National Fire Protection Association**  
NFA Standards 80, 90A, & 101

**IBC International Building Codes**

**CSFM California State Fire Marshal**  
Fire Damper Listing (#3225-0981:103)

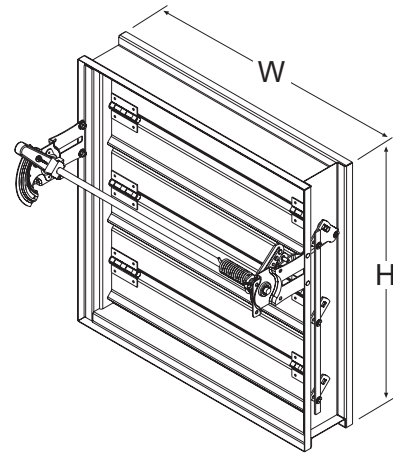
### Size Limitations

W x H	Minimum Size	Maximum Size	
		Single Section	Multiple Section
4 in. wg (1 kPa) pressure or 2000 fpm (10.2 m/s) velocity			
Inches	8 x 6	24 x 30	48 x 30
mm	203 x 152	610 x 762	1219 x 762
10 in. wg (2.5 kPa) pressure or 4000 fpm (20.3 m/s) velocity			
Inches	8 x 6	24 x 30	-
mm	203 x 152	610 x 762	-

\*Note: Dampers more than one section wide will be furnished with a single OCI device per row when selected.

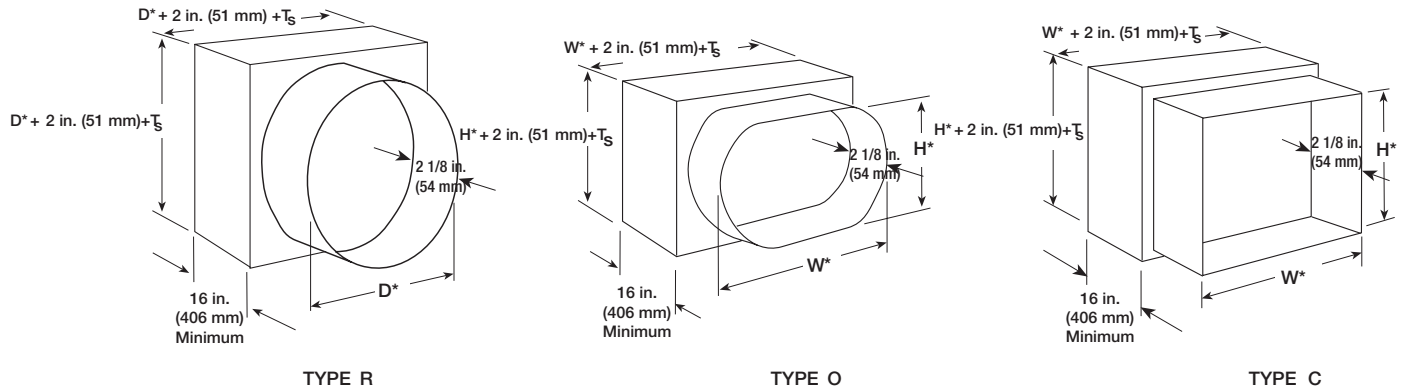
## Options

- Frames are constructed with reinforced corners. Low profile head and sill are used on sizes less than 17 in. (432mm) high.
- [Grille tabs](#)
- [OCI \(Open Closed Indication Switches\)](#)
- [POC retaining angles](#)
- Extra fusible links
- Sealed Transition and sleeves
- Sleeves
- Transition (C, O,R)



## Transitioned Damper Dimensions

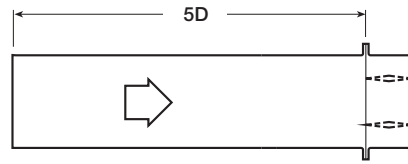
When a combination fire smoke damper is being used in conjunction with round and oval ductwork, the SEFSD-211 can be supplied in a factory sleeve with round or oval transitions on both ends of the sleeve. Dampers should be ordered to the duct dimensions.



\* These dimensions are furnished approximately 1/4 in. (6 mm) undersize, except round and oval dimensions which are approximately 1/8 in. (3 mm) undersize.

# Pressure Drop

AMCA Figure 5.2



12 in. x 12 in. (305mm x 305mm)

Velocity (fpm)	Pressure Drop (in. wg)
500	0.04
1000	0.14
1500	0.31
2000	0.55
2500	0.86
3000	1.24
3500	1.69
4000	2.20

24 in. x 24 in. (610mm x 610mm)

Velocity (fpm)	Pressure Drop (in. wg)
500	0.02
1000	0.07
1500	0.16
2000	0.29
2500	0.45
3000	0.65
3500	0.89
4000	1.16

36 in. x 36 in. (914mm x 914mm)

Velocity (fpm)	Pressure Drop (in. wg)
500	0.01
1000	0.04
1500	0.09
2000	0.16
2500	0.25
3000	0.36
3500	0.49
4000	0.64

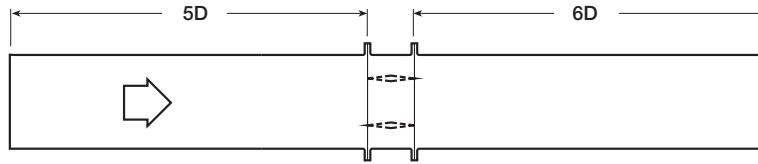
12 in. x 48 in. (305mm x 1219mm)

Velocity (fpm)	Pressure Drop (in. wg)
500	0.01
1000	0.06
1500	0.13
2000	0.23
2500	0.36
3000	0.52
3500	0.70
4000	0.92

48 in. x 12 in. (1219mm x 305mm)

Velocity (fpm)	Pressure Drop (in. wg)
500	0.03
1000	0.10
1500	0.23
2000	0.41
2500	0.63
3000	0.91
3500	1.24
4000	1.62

AMCA Figure 5.3



12 in. x 12 in. (305mm x 305mm)

Velocity (fpm)	Pressure Drop (in. wg)
500	0.02
1000	0.09
1500	0.20
2000	0.36
2500	0.56
3000	0.81
3500	1.10
4000	1.44

24 in. x 24 in. (610mm x 610mm)

Velocity (fpm)	Pressure Drop (in. wg)
500	0.01
1000	0.04
1500	0.09
2000	0.16
2500	0.25
3000	0.35
3500	0.48
4000	0.63

36 in. x 36 in. (914mm x 914mm)

Velocity (fpm)	Pressure Drop (in. wg)
500	0.01
1000	0.03
1500	0.06
2000	0.11
2500	0.17
3000	0.24
3500	0.33
4000	0.42

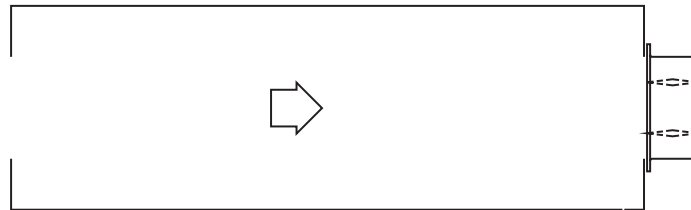
12 in. x 48 in. (305mm x 1219mm)

Velocity (fpm)	Pressure Drop (in. wg)
500	0.01
1000	0.04
1500	0.10
2000	0.17
2500	0.27
3000	0.39
3500	0.53
4000	0.70

48 in. x 12 in. (1219mm x 305mm)

Velocity (fpm)	Pressure Drop (in. wg)
500	0.02
1000	0.07
1500	0.16
2000	0.29
2500	0.45
3000	0.64
3500	0.88
4000	1.14

AMCA Figure 5.5



12 in. x 12 in. (305mm x 305mm)

Velocity (fpm)	Pressure Drop (in. wg)
500	0.06
1000	0.22
1500	0.50
2000	0.89
2500	1.39
3000	2.00
3500	2.72
4000	3.55

24 in. x 24 in. (610mm x 610mm)

Velocity (fpm)	Pressure Drop (in. wg)
500	0.03
1000	0.14
1500	0.31
2000	0.54
2500	0.85
3000	1.22
3500	1.66
4000	2.17

36 in. x 36 in. (914mm x 914mm)

Velocity (fpm)	Pressure Drop (in. wg)
500	0.03
1000	0.12
1500	0.26
2000	0.46
2500	0.73
3000	1.05
3500	1.42
4000	1.86

12 in. x 48 in. (305mm x 1219mm)

Velocity (fpm)	Pressure Drop (in. wg)
500	0.03
1000	0.13
1500	0.30
2000	0.53
2500	0.83
3000	1.19
3500	1.62
4000	2.11

48 in. x 12 in. (1219mm x 305mm)

Velocity (fpm)	Pressure Drop (in. wg)
500	0.04
1000	0.17
1500	0.38
2000	0.67
2500	1.04
3000	1.50
3500	2.05
4000	2.67

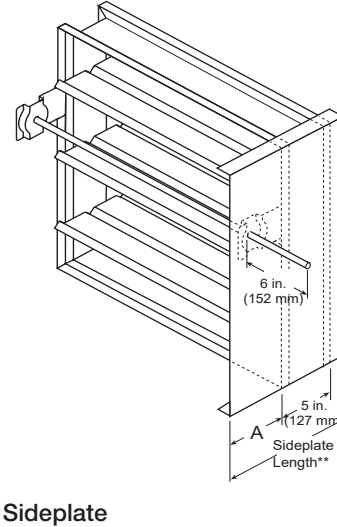
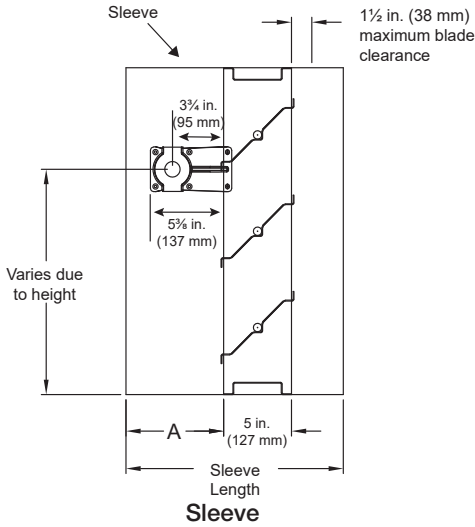


Greenheck Fan Corporation certifies that the model SEDFD-210 shown herein is licensed to bear the AMCA Seal. The ratings shown are based on tests and procedures performed in accordance with AMCA Publication 511 and comply with the requirements of the AMCA Certified Ratings Programs. The AMCA Certified Ratings Seal applies to air performance ratings only.

# Space Envelopes

The drawings below and corresponding table show the position of the DFD-210 damper when mounted in a factory sleeve ("A" dimension). The standard mounting locations provide enough space for the mounting of manual quadrant(s) and allow space for installation of retaining angles and duct connections. The following options may affect the range of available mounting locations: transitions, security bars, grille tabs.

The standard location of a damper mounted in a factory sleeve ("A" dimension) is shown below. The damper can be positioned at other locations within a range of 7 3/16 in. (183 mm) to 16 in. (406 mm) for the "A" dimension.

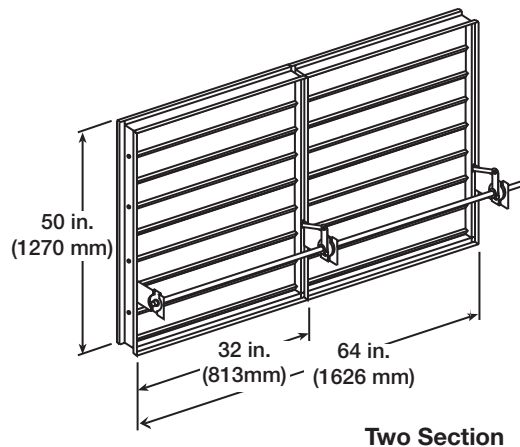


in. (mm)	"A" Dimension		
	Sleeve Std	Sleeve Max	Sideplate
Dampers with no OCI	7 3/16 in. (183)	16 (406)	6 3/16 (157)
Height <11 in. (279) with OCI	12 (305)	16 (406)	12 (305)
Height ≥ 11 in. (279) with OCI	7 3/16 in. (183)	16 (406)	6 3/16 (157)

**NOTE:** Entire damper frame is not required to be installed within the wall. The damper blades, when closed should be contained within the wall.

# Multiple Section Dampers

Dampers larger than maximum single section size are supplied as a factory assembly of two or more sections of equal size. The following figures show maximum damper section size and assembly configurations for multi-section dampers.





[INSTALLATION](#)



[CATALOG](#)



[SELECTION GUIDE](#)



[SPECIFICATIONS](#)



[WARRANTY](#)