



SINCE 1909
JAPAN

Marketing
Profile



TABLE OF CONTENTS

- 1.3.....Company Mission
- 1.4.....Marketing Map
- 1.5.....IAQ (Indoor Air Quality) Solutions
- 1.6.....Important Milestones
- 1.8.....Ventilation Equipment
- 1.10.....Home Appliance & Business Solution
- 1.12.....Event Highlights
- 1.13.....Corporate Social Responsibilities
- 1.14.....Our Supports

COMPANY MISSION

To contribute to the society by improving Indoor Air Quality in homes with our premium products and professional industry expertise.

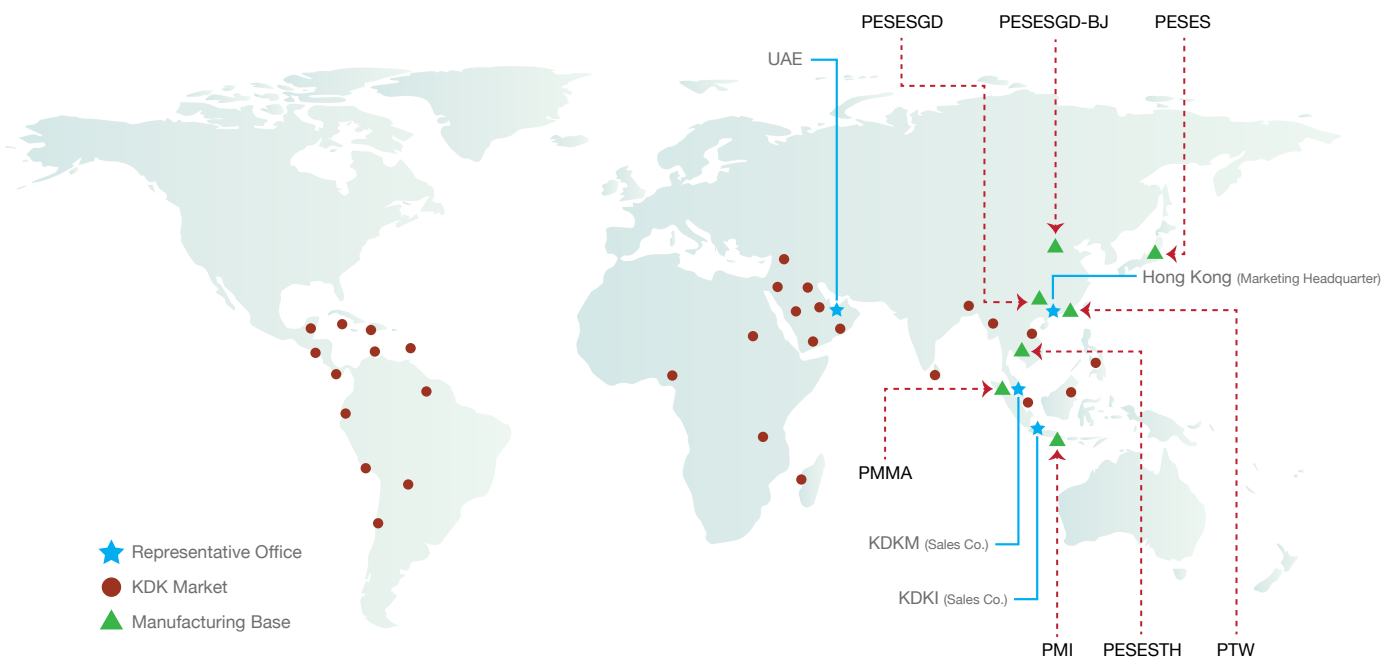
Kawakita Denki Kigyosha
Founder, KDK Company



MARKETING MAP

KDK is the short form for Kawakita Denki Kigyosha which was founded since 1909 in Japan. Started from "Typhoon Type Electric Fan", the Company has been manufacturing a wide range of air-related products, including ventilating fans, ceiling fans, etc. that contributes indoor air quality (IAQ) solutions to its customers. For a century, KDK has established its business in various countries, building its reputation and brand value in the minds of its customers.

For a century, KDK has established its business in various countries, building its reputation and brand value in the minds of its customers. Moving forward, in addition to continuous development in existing markets, we will explore new business in potential markets throughout other fast-growing regions.



Market Prospect

Hong Kong

Hong Kong is a global business city and located in the heart of Asia, operation office of overseas marketing is set up there to play a vital role between markets and factories.

South East Asia

South East Asia is one of the most important regions for KDK, the businesses have started in some markets for more than 60 years. The region continues its steady growth in upcoming decades with expected rising demand. In response to the expanding markets, KDK established its sales company in Indonesia and Malaysia in 2001 and 2002 respectively.

Middle East

Having over 56 years of history in the Middle East, we have set up our representative office in Dubai 19 years ago, that allowed us to work closely together with our business partners to provide high level of service to customers.

Latin America

Latin America is one of the regions in which KDK's overseas business has been running for more than 58 years. In order to further expand the scale of business and to provide well-quality services to our customers, a representative office was set up in Mexico in 2013.

Africa

As one of the potential markets, we collaborate power from the leading customers in Africa for generating business opportunity.

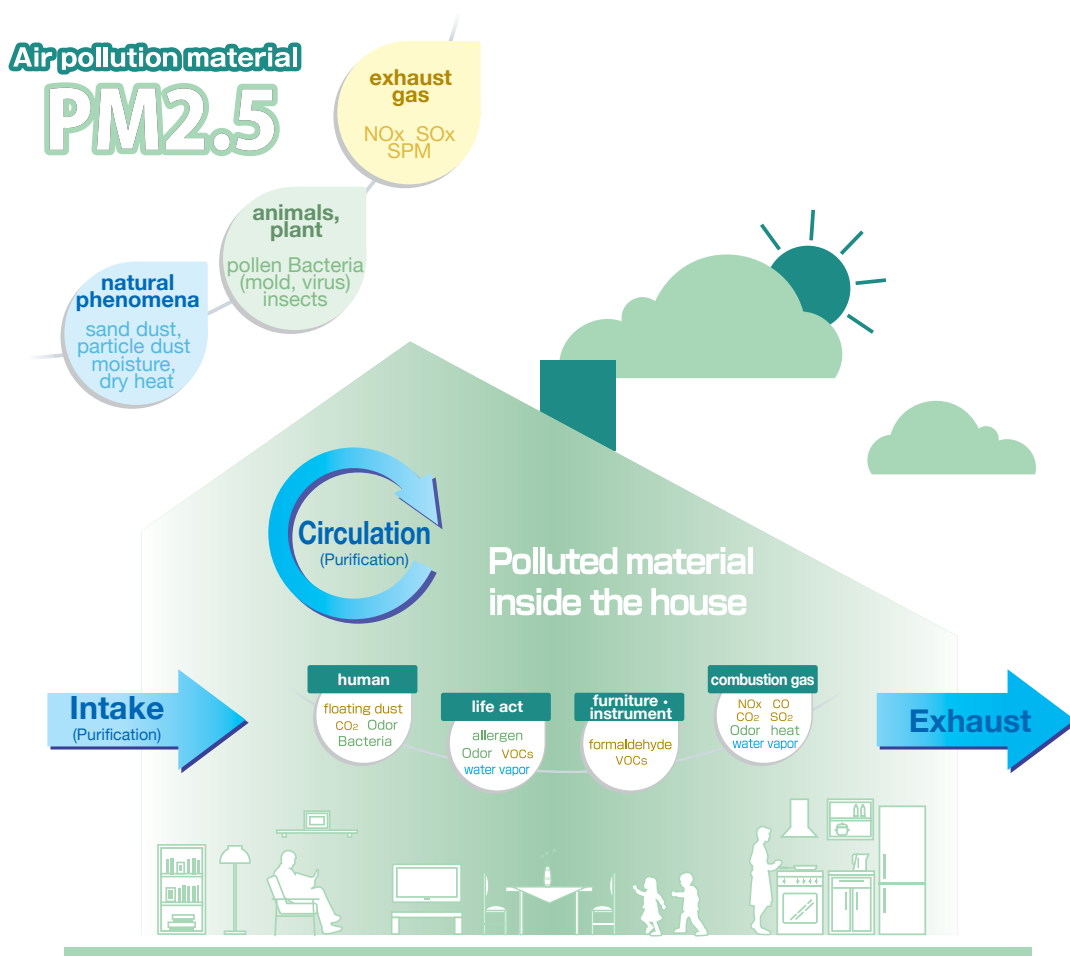
Air is the substance which human being take the most into the body as compared with food and water. Moreover, we spend more than 70% of our time indoors that IAQ (indoor air quality) is essential to our daily life.

KDK recognizes the importance of IAQ, we has been developing the technologies, solutions and products that can contribute the benefits to our living environment.

IAQ (Indoor Air Quality) Solutions of KDK for Whole House

Covering up **Intake** **Exhaust** **Circulation** with Energy Saving

Field of IAQ that KDK concerns to cover up



Intake

Not To Take In

Protect unnecessary material from the outside

- Energy recovery ventilator
- Supply filter unit
- Pipe fan

Circulation

Healthy / Comfortable Airflow

Inhibit bacteria

- Ceiling fan
- Air purifier
- Humidifier
- Dehumidifier
- Electric fan

Exhaust

Reduce / Eliminate

Exhaust unnecessary material to the outside

- Ventilating fan
- Range hood
- Bath dryer
- Pipe fan
- Energy recovery ventilator

IMPORTANT MILESTONES

Business History

1909
 • KDK (Kawakita Denki Kigyousha) was founded



1918
 • Registration of KDK Trademark



• Starting of export business

1919
 • Kawakita Denki Co. was established in Shanghai

1933
 • Chuou Denki Co., Ltd. was established in Osaka

1946
 • Restarted electric fan production after World War II

1956
 • Osaka Denki Seiki Co., Ltd was established

1960
 • Registration of new KDK Trademark



1962
 • Renamed the company to Matsushita Seiko Co., Ltd

1909

1919

1929/1939

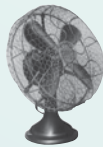
1949

1959

1913
 • Mass production of Typhoon Type Electric Fan



1917
 • Single Oscillation (GE Type) Electric Fan



1927
 • Wall Fan for Train



1928
 • Ventilating Fan



• Ventilating Fan with shutter



1919
 • Uzumaki Guard & Double Oscillation Electric Fan



1921
 • Development of Ceiling Fan



1935
 • Ceiling Fan with Light



1931
 • Special Fan



1953
 • Orbital Fan



• Stand Fan



1958
 • Slide Fan (Living Fan)



1959
 • Portable Fan (Box Fan)



1960
 • Reversible Ventilating Fan



1962
 • Ventilating Fan with Electrical Shutter



1963
 • Automobile Fan



1964
 • Wall (Bracket) Fan



• Window Mount Ventilating Fan



• Industrial Electric Fan



• Range Hood



1967
 • High Pressure Ventilating Fan



Product History

1969
 • The 60th Anniversary Ceremony (the event was being held every 5 years since then)

1978
 • Established first KDK distributor KDK Products(HK) Co., Ltd in Hong Kong

1979
 • Established KDK International Philippines Corporation [KIPCO] in Philippines

1981
 • Set up International Fan Manufacturing Co., Ltd [IFCO] in Hong Kong
 • Established KDK International corporation of America [KINCA] in America and TORCAN-KDK International Co., Ltd. [TORCAN-KDK] in Canada

1988
 • Shun Hing Electric Works and Engineering Co., Ltd was appointed as sales representative of KDK in Hong Kong

1989
 • IFCO was renamed as Matsushita Seiko Hong Kong International Manufacturing Co., Ltd [HIMCO]

1993
 • Set up Shunde Matsushita Seiko Co., Ltd [SHUMCO] in China. It was renamed as Guangdong Matsushita Seiko Co., Ltd. [GDMESC] in 2003 and further changed to PESGD in 2006

1995
 • Established Beijing Great Wall Matsushita Seiko Air Conditioning Equipment Co., Ltd. [BGMAC] which was renamed as PESGD-BJ in 2005

1996
 • PESTH was set up in Thailand

1999
 • Established Oversea Marketing Headquarter in HIMCO

2001
 • Set up sales company PT.KDK Indonesia [KDKI] in Indonesia

2002
 • Set up sales company KDK Fan (M) Sdn. Bhd. [KDKM] in Malaysia

2003
 • Matsushita Seiko Co. Ltd was renamed as Marsushita Ecology Systems Co., Ltd. and further changed to KDK Company, Division of PES in 2008

2009
 • The 100th Anniversary of KDK



2019
 • The 110th Anniversary of KDK



1969

1969
 • Ceiling Mount Ventilating Fan



1971
 • Pipe Fan (Room to Room Fan)



1972
 • Intermediate Duct Fan



1976
 • Energy Saving Ventilator



1978
 • Room Fan (Box Fan)



1979

1979
 • Antique Ceiling Fan



1980
 • Desk Fan with Cassette Player



1981
 • Air Curtain



• Micro Control Fan



1984
 • Evaporative Air Refresher



• Cool Fan



1986
 • Cabinet Fan



1989

1994
 • Air Purifier



• Mini Sirocco Fan



• Compact Axial Flow Fan



• Roof Ventilator



1999

1999
 • Axial Flow Fan



• Centrifugal Fan



2002
 • Hand Dryer



2003
 • Wireless Remote Control Ceiling Fan



• Dehumidifier



2005
 • Thermo Ventilator



2009

2009
 • DC Ceiling Mount Ventilating Fan



2013
 • Mist Sauna



2014
 • DC Electric Fan



• Wall Mount Thermo Ventilator



2015
 • DC Ceiling Fan



• Ball Fan



2016
 • Energy Recovery Ventilator



• Water Pump



2017
 • Mist Air Cooler



2019

2019
 • Wide Range Electric Fan



VENTILATION EQUIPMENT

To provide more pleasant and comfortable living spaces for people around the world, we will continue to develop a complete portfolio of ventilation products and systems for various application.

By combining our knowledge and experience, a diverse range of innovative ventilation products have been introduced to create high quality living environment, while offering value-added benefits to our customers.

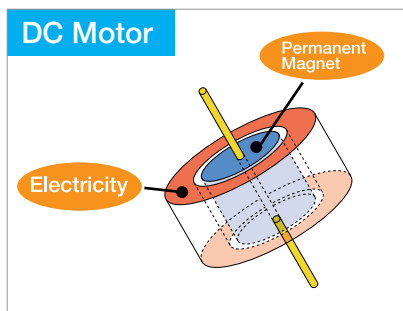
Technology Highlight

DC (Direct Current) Motor

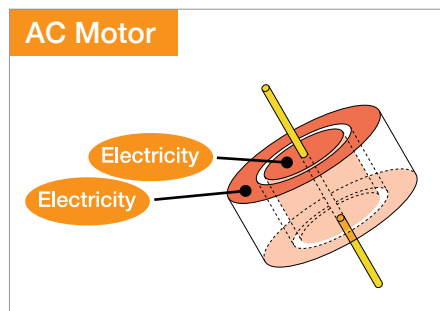
DC Ceiling Mount Ventilating Fan

With customers becoming more environmentally aware than before, the demand for energy efficient product is rising. KDK has developed an AC (Alternative Current) direct-input DC (Direct Current) motor with unprecedented performance characteristics.

In conventional DC ventilating fan motors, the power and drive circuits are separated from the motor. The newly designed KDK motor encloses all electronic circuits in a molded casing that enhances energy efficiency and offers a longer operational life. Its energy efficiency is increased up to 96% as compared with conventional AC motor.



Stator uses electrical magnet while rotor uses permanent magnet



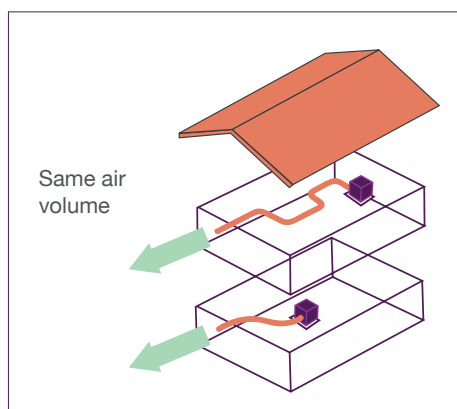
Stator & rotor both uses electrical magnet

Constant Airflow

Ceiling Mount Ventilating Fan

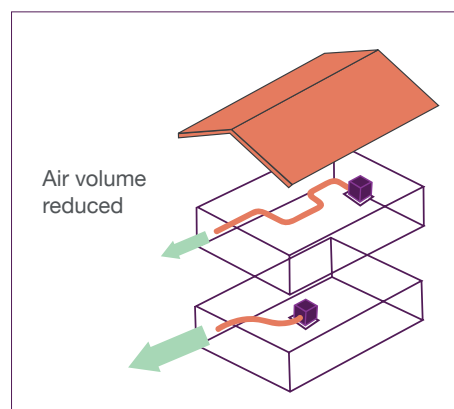
Currently, various models would be selected to fit different locations in your house to overcome static pressure induced by duct length and elbows. By using new technology, our latest product can fulfill airflow requirements regardless of the factors that may increase static pressure. When the fan encounters static pressure, its speed is automatically increased to ensure the rated airflow is achieved.

With Constant Air Volume



Air volume from same model with different duct length are same

Without Constant Air Volume



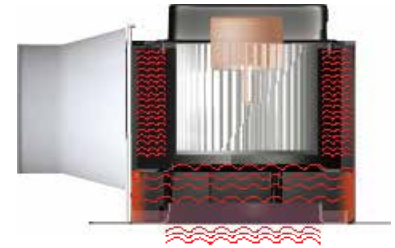
Air volume from same model with different duct length are different

Low Noise Design

Ceiling Mount Ventilating Fan

These fans adopt distinctive design of “Resonance-Noise-Absorption Structure”. It can minimize the transmission of noise from the blower to exterior, reducing the operation noise to incredibly low levels and create a tranquil and silent environment for you.

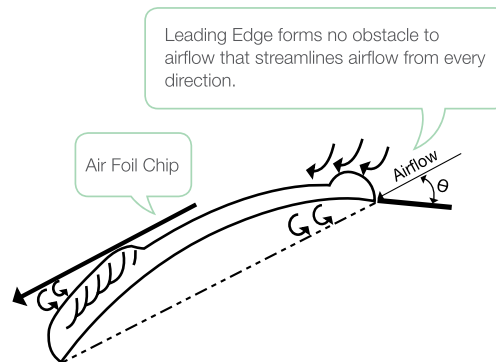
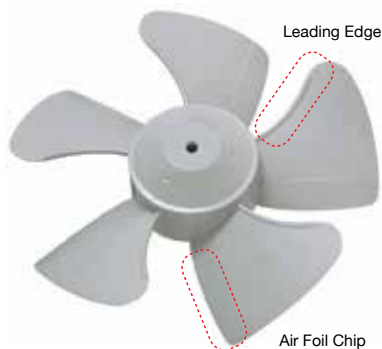
With the “Double Orifice” Structure, noise is effectively absorbed and reduced between the double orifice and casing.



Advanced Blade Design

Wall / Window Mount Ventilating Fan

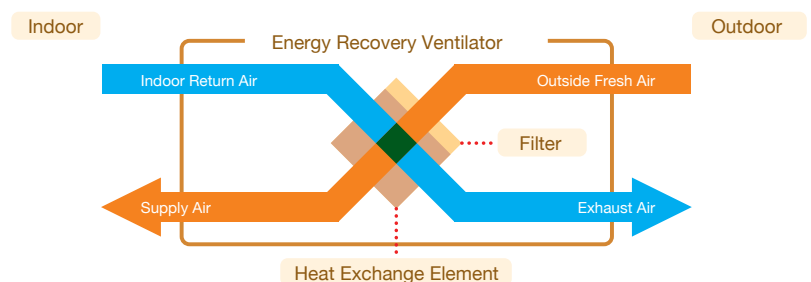
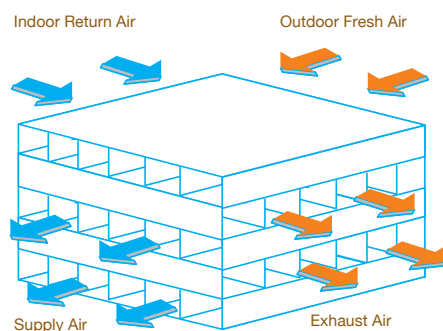
The blade design applies advanced aerodynamic principle that minimizes any obstacles against the airflow. Air Foil Chip is to reduce turbulence at rear edge, and curvature of front edge was improved for smooth airflow that minimizes fan noise as well.



Heat Exchange Technology

Energy Recovery Ventilator

Temperature differences between exhaust and intake air during balanced ventilation will increase the cooling load during hot seasons and the heating load during cold seasons. With our heat exchange mechanism, heat and moist are exchanged between the exhaust and supply's air stream. In summer, outside air supplied into the room is cooled down to a temperature close to that of indoors and vice versa in winter. It ensures energy saving by this exchange process.



VENTILATION EQUIPMENT

In response to the rapid growing demand for indoor air quality (IAQ), KDK, as a leading provider, has developed a full spectrum of products to satisfy the various needs and requirements of customers.

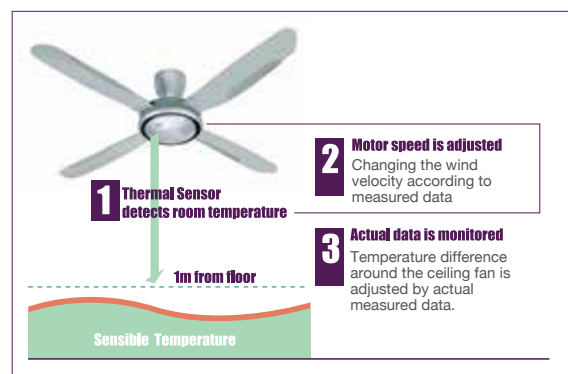
By applying our cutting edge technologies, we are able to enrich people's lives with improved indoor air quality through developing a variety o products.

Technology Highlight

Auto Speed Adjustment by Temperature Sensor

Ceiling Fan / Electric Fan

Equipped with thermal sensor, auto mode can detect temperature changes and control the fan, generating the most comfortable air flow.

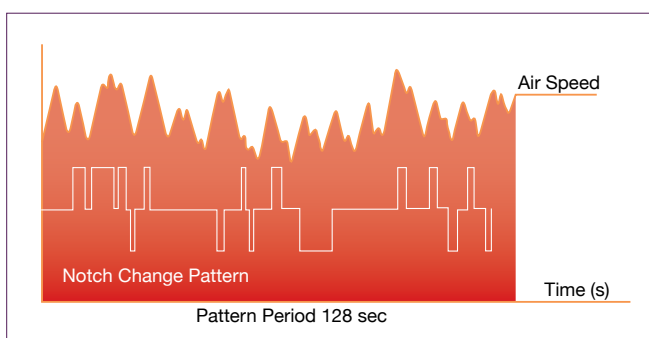


Depending on the room temperature, Auto Mode controls the fans to generate the most comfortable air velocity to human body.

1/f Yuragi

Ceiling Fan / Electric Fan

Our sophisticated technology, the 1/f Yuragi on the Electric Fan, varies air velocity and simulates the pattern of natural breeze, bringing people a sense of refreshment and comfort. Incorporated with human-centered technology, the rhythm also maintains your external body temperature and keeps you in a relaxing physical condition.



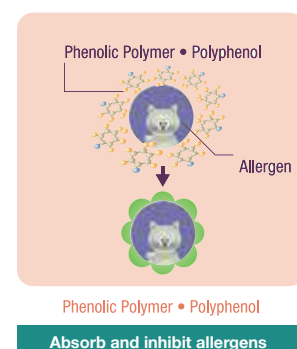
Speed notch toggles based on 1/f Yuragi pattern

1/f yuragi

Super alleru-buster

Electric Fan / Air Cooler / Air Purifier / Dehumidifier

Some of our Indoor Air Quality Appliances, such as Electric Fans and air purifier, are equipped with anti-bacteria filters which consist of three features, Super alleru-buster, Anti-Bacteria Emzyme and Green Tea Catechin. These three features can inhibit 99% of allergens and eliminate bacteria, keeping your room fresh and clean.



nanoe™

Air Purifier / Electric Fan

nanoe™ is long-life micro particles created from water, it can penetrate into fabrics thoroughly and reach in far corners to inhibit pollutants. As the ions are wrapped in water molecules that the effect is long-lasting. Furthermore, nanoe™ is generated from condensed moisture in the air that water replenishment is not required.



Mist

Air Cooler

Differing from typical evaporation, KDK mist technology lower room temperature more efficiently. Small amount of water is pumped up inside the vessel by the rotation of the rotor and silky mist is generated by the crashing ring. The mist is evaporated and blown out of the vessel by airflow for absorbing warm air energy.

Size of mist particles generated by KDK mist technology is 6 times smaller than steam particles and 1000 times smaller than the cooling particles from typical evaporation.

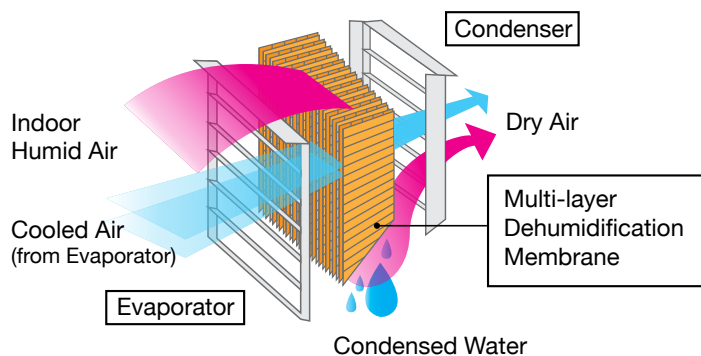


W-HEXS (Dual Dehumidifier System)

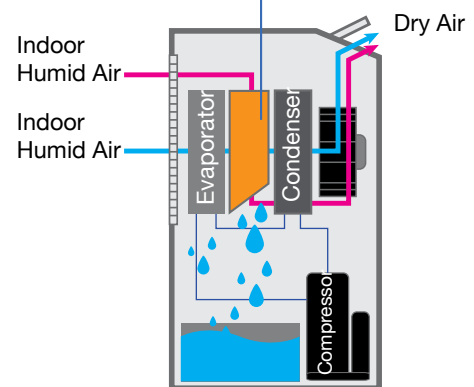
Dehumidifier

The multi-layer dehumidification membranes of W-HEXS enable additional air inlet direction, by which cool and hot air flow across for condensation. This process significantly improves power efficiency of dehumidification as compared with single air flow of conventional dehumidification system.

W-HEXS



Multi-layer Dehumidification Membrane



W-HEXS Dual Dehumidifier System

EVENT HIGHLIGHTS

To introduce KDK products and listen to the voices of customer, we have participated different exhibition and conventions all over the markets.



1) WORLDBEX Exhibition, Philippines (2019)



2) Arechctt EXPO, Sri Lanka (2019)



3) BIG 5 Expo, UAE (2018)



4) Construction Expo, Sri Lanka (2018)



5) KDK Partnership Celebration, Sudan (2017)



6) Mega Expo, Mynamar (2017)



7) BIG 5 Expo, UAE (2017)



8) KDK Showroom Opening Ceremony, Mynamar (2016)



9) Build-4-Asia Building Exhibition, Hong Kong (2016)



10) Pekan Raya, Indonesia (2016)



11) AHR Expo, Mexico (2016)



12) VIET BUILD, Vietnam (2016)

CORPORATE SOCIAL RESPONSIBILITIES

As a company with Corporate Special Responsibility at the core, we will never forget to set the environmental protection as our priority goal to achieve besides product innovation and customers satisfaction.

Under normal circumstances, KDK's products are not mandatory to comply with the Restriction of Hazardous Substances (RoHS) regulation for their markets. Nevertheless, we recognize our responsibility to the society and therefore, commit ourselves to conforming to the RoHS requirements. We have invested a lot of resources and implement such pro-environmental policy. In 2006, we were proud to announce that all our products follow the RoHS requirement.

In addition, KDK has demonstrated its commitment to providing quality air to the environment, and was finally certified under the standards of ISO14001 Environmental Management and ISO9001 Quality Management.

Our care for the Earth has been proven by the newly-launched products or parts, such as DC motor, Auto Mode for ceiling fan, HP motor, etc. They are characterized by functions that help enhance energy conservation.



ISO9001 Certificate



ISO14001 Certificate



In the age of information, we understand the importance of information security. We have acquired ISO27001, the Information Security Management in 2009. It further shows our commitment to protecting the right of our customers.

In response to our commitment to contributing the society, KDK also involves in a wide scale of CSR-related activities that builds close relationship with local communities around the world.



Clarity Event, Vietnam (2017)

OUR SUPPORTS

Web Communication

To cope with the rapid development of worldwide network, KDK web site has been launched to provide a platform for us to communicate with our customers worldwide, and in an effective manner.



Product Selection Program

This program provides a tool for customers to select applicable models of ventilation products by simply inputting the required criteria.

The program can be accessed via KDK homepage or DVD.



Product Selection DVD



Home Ventilation

With this animated program, the customers can understand the likely sources of air problems and the solutions in a house.



Product Seminar / Training

To further enhance our value as a leading provider of indoor air quality products, we continuously provide various types of seminar and training to our business partners so the highest standard of the services can be maintained.



Product Index

Page Number Content

2.1 - 2.3	Product Overview
2.4 - 2.11	Air Moving Equipment
2.4	Compact Axial Fan
2.7	Mini Sirocco Fan
2.9	Accessories (Vent Cap & Pipe Hood)
2.10	Roof Ventilator
2.11	General Information
2.12 - 2.16	Energy Recovery Ventilator
2.12	Standard Series
2.15	ERV Accessory & Filter Box
2.16	Specification Summary
2.17 - 2.25	Ceiling Mount Ventilation Fan
2.17	Super Quite Series
2.21	Standard Series
2.22	DC Motor Series
2.24	Metal Series
2.26 - 2.31	Cabinet Fan
2.26	Single Phase Series
2.30	Three Phase Series
2.32 - 2.37	Industrial Ventilation Fan
2.32	High Pressure Series
2.36	Shutter Series
2.38 - 2.48	Wall Mount Ventilation Fan
2.38	Filter Series
2.39	Automatic Shutter Series
2.42	Automatic Shutter Louver Series
2.44	Reversible Series
2.46	Reversible Louver Series
2.48	Metallic Series
2.49 - 2.52	Window Mount Ventilation Fan
2.49	High Pressure Deluxe Series
2.50	Electric Shutter Series
2.51	Automatic Shutter Series
2.52	Cord-operated Shutter Series
2.53 - 2.58	Specification Summary
2.59 - 2.60	Air Curtain
2.59	Cross Flow Type
2.60	Sirocco Type

PRODUCT OVERVIEW

Wall Mount Type



Product Features

- AC motor with thermal cut-off
- Fan size (LxWxH)mm: 170x170x99 - 402x409x128mm
- Capacities: 75 - 1200 m³/h
- IPX4
- Insulation class: E
- Material: metal (Aluminum) /plastic (ABS)
- Type: bathroom series/filter series(kitchen)/automatic shutter series/automatic shutter Louver series/reversible series/reversible Louver series/metallic series
- IEC standard compliance, GSO certified, ESMA, KUCAS, SASO, SONCAP
- Models licensed to bear the AMCA certified seal: 15AAQ1, 20AUHT, 25AUHT, 30AUHT, 20AUH, 25AUH, 30AUH 11, 20ALHT, 25ALHT, 30ALFT, 20ALH, 25ALH, 30ALF 11, 20ASB, 25ASB, 30ASB, 20ASB 05, 25ASB 05, 30ASB 05



Window Mount Type



Product Features

- AC motor /HP with thermo cut-off
- Fan size:(LxWxH): 210x210x92 - 224x224x194mm
- Duct size mm: 186-250 mm
- Capacities 145 - 480 m³/h
- IPX4 (outside) rating
- Insulation class E
- Type: high pressure Deluxe series/electric shutter series/cord-operated shutter series
- Able to fix on glass plate of thickness: 3 - 25mm(15WHCT/20WHCT)
- Material: Plastic/Stainless Steel
- IEC standard compliance, GSO certified, ESMA, KUCAS, SASO, SONCAP
- Models licensed to bear the AMCA certified seal: 15WHCT, 20WHCT, 15WAA, 20WAA, 15WAAMN, 20WAAMN, 15WUD, 20WUD



Industrial Type



Product Features

- HP motor with thermal cut-off.
- Fan size (LxWxH)mm: 327x327x171 - 760x760x320mm
- Capacities: 1150 - 10920 m³/h
- Static pressure: 47- 140 Pa
- Type: shutter/no shutter
- Insulation class: E
- Material: metal (Steel SGCC)
- IEC standard compliance, GSO certified, ESMA, KUCAS, SASO, SONCAP
- Models licensed to bear the AMCA certified seal: 25GSE, 30GSE, 35GSE, 40GSE, 45GSC, 50GSC, 60GSC



Ceiling Mount Type



Product Features

- DC motor & AC motor with thermal cut-off
- Fan size (LxWxH)mm: 170x170x180 - 376x376x250 mm
- Louver size mm: 240 - 310 mm
- Duct size mm: 100/150 mm
- Capacities: 80 - 800 m³/h
- Static pressure: 90 - 340 Pa
- IPX2
- Insulation class: E
- Material: metal (galvanized steel)/plastic (ABS)
- Auto operation by motion sensor (model: 24JRB)
- AMCA certified
- IEC standard compliance, GSO certified ESMA, KUCAS, SASO, SONCAP



Cabinet Fan



Product Features

- Long life condenser motor with thermal cut-off
- Twin flow fan (Sirocco fan)
- Fan Size(LxWxH)mm: 290x291x184 - 809x1052x370mm
- Duct Size mm: 100 - 250mm
- Capacities: 145- 5300 m³/h
- Static pressure: 135 - 600 Pa.
- IPX2
- Insulation class: E
- Material: galvanized steel enhancing high durability.
- Models licensed to bear the AMCA certified seal: 12NSB, 15NSB, 18NSB, 18NFB, 20NSB, 23NLB, 25NSB, 25NFB



Compact Axial



Product Features

- AC motor with thermal cut-off
- Fan size(LxWxH)mm: 280x280x260 - 554x554x530mm
- Capacities: 550 - 6522 m³/h
- Static pressure: 115- 800 Pa
- Material: Steel/Aluminium
- Ambient temperature range of from -10°C to +40°C
- IPX2
- Insulation class: B

Mini Sirocco



Product Features

- AC motor with thermal cut-off
- Fan size (LxWxH)mm: 180x180x120 - 330x330x250mm
- Duct size mm: 100 - 200 mm
- Capacities: 144 - 1590 m³/h
- Static pressure: 70 - 437 Pa
- Insulation class E
- Material: metal (Steel SGCC)
- Two speed selectable (K16CG1, K17CG1, K19CG1, K21CG1, K16CT1)
- IPX2

PRODUCT OVERVIEW

ERV



Product Features

- AC motor with thermal cut-off
- Fan size: (LxWxH): 695x693x220 - 723x1026x240
- Duct size: 144 - 194mm
- Capacities: 150 - 500 m³/h
- Static pressure: 0 - 100 Pa
- IEC standard compliance & SASO
- IPX2



Air Curtain



Product Features

- AC motor with thermal cut-off
- Size mm: 900/1200/1500 mm
- Capacities: 920 - 2450 m³/h
- Material: Steel plate/Steel SGCC/Resin ABS/Glass fiber
- Insulation Class: B/F
- Standard series, Remote control series, Sensor series
- IEC standard compliance, GSO certified, ESMA, KUCAS, SASO, SONCAP

Water Pump



Product Features

- Peripheral/Centrifugal
- Capacity: 5L/Min - 154L/min
- Total head: 5m - 47.5m
- Stainless Steel Impeller/Brass Impeller
- Material: SUS steel motor shaft
- Output wattage [kW]: 0.37(0.5HP) - 1.5(2.0HP)
- Insulation class: F
- IEC standard compliance
- IP54
- Ambient Temperature: -10°C - 50°C

GSO - Gulf Standards organization
ESMA - Emirati standards Mark
ABS - Acrylonitrile butadiene styrene
KUCAS: Kuwait Conformity Assurance Scheme
SONCAP: Standard Organisation of Nigeria Conformity Assessment Program

Compact Axial Flow Fan

Lightweight and compact fans designed for commercial ventilation system.



Single Phase

K25DSF2NET
K28DSM2NET
K35DSM2NET
K40DSL2NET
K40DSH2NET
K45DST2NET

Three Phase

K40DTL2BET
K40DTH2BET
K45DTT2BET
K45DTH2BET

Low noise design

The optimal blade design based on the vane theory.

Two speed control

Hi-Lo speed can be selected to meet required specifications.

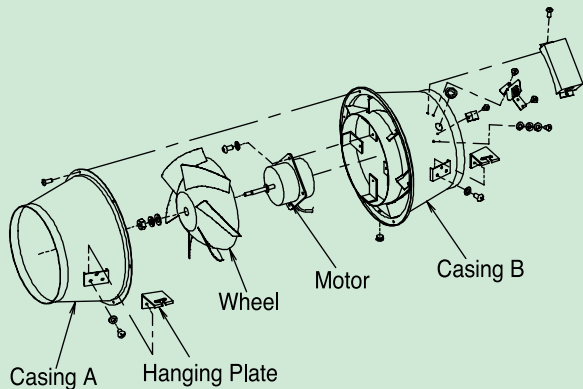
Easy installation

Installability has been improved using T-shape grooved clamps.

Wide product range

Available for both single and three phase. (10 models)

Construction



Main components and materials

Components name	Material	Standard
Casing A	SPCC,SPHC	JIS G 3141 JIS G 3131
Wheel	A5052 PP SPHC	JIS H 4000 JIS K 6921 JIS G 3131
Motor		
Casing B Assy.	SPCC,SPHC	JIS G 3141 JIS G 3131
Hanging plate	SPCC	JIS G 3141

Specifications

	MODEL No.	Rated Volatage [V]	Number of Poles	Notch	Air Volume [m³/h]		Current [A]		Input [W]		Noise Level [dB]						Wheel Diameter [cm]	Weight [kg]	Duct Size [mm]
											Side of Body		Inlet Side		Outlet Side				
					50Hz	60Hz	50Hz	60Hz	50Hz	60Hz	50Hz	60Hz	50Hz	60Hz	50Hz	60Hz			
SINGLE PHASE	K25DSF2NET	220-240V	4	Hi	600	720	0.19	0.17	34	38	41.0	42.0	51.0	54.0	50.5	53.5	25	4.7	Ø200
				Lo	550	650	0.14	0.12	27	29	39.5	41.5	49.0	52.0	48.5	51.5			
	K28DSM2NET	220-240V	4	Hi	1194	1224	0.25	0.28	51	62	44.5	45.5	54.5	55.5	54.0	55.0	28	8.5	Ø250
				Lo	1050	1062	0.24	0.26	55	61	42.0	43.0	52.0	53.0	51.5	52.5			
	K35DSM2NET	220-240V	4	Hi	2016	2154	0.42	0.57	95	131	45.5	46.5	56.5	57.5	56.0	57.0	35	13.0	Ø300
				Lo	1782	1830	0.38	0.50	87	113	43.0	44.0	54.0	55.0	53.5	54.5			
K40DSL2NET	220-240V	4	Hi	3228	3528	0.94	1.3	204	281	56.0	56.5	68.0	68.5	67.5	68.0	40	20.0	Ø350	
			Lo	3084	3186	0.86	1.1	194	245	54.0	54.5	66.0	66.5	65.5	66.0				
K40DSH2NET	220-240V	4	Hi	3504	4128	1.1	1.8	256	401	55.5	56.5	67.5	68.5	67.0	68.0	40	22.0	Ø350	
			Lo	3444	3822	1.0	1.6	233	348	53.5	54.5	65.5	66.5	65.0	66.0				
K45DST2NET	220-240V	4	Hi	4968	5940	1.9	2.8	428	643	59.5	61.0	69.5	71.0	69.5	71.0	45	37.0	Ø400	
			Lo	4206	5790	1.7	2.7	398	615	58.0	60.5	68.0	70.5	68.0	70.5				
THREE PHASE	K40DTL2BET	380V	4	Hi	3396	3840	0.48	0.65	241	381	56.0	56.0	68.0	68.0	67.5	67.5	40	18.0	Ø350
				Lo	3330	3660	0.42	0.59	237	334	54.0	54.0	66.0	66.0	65.5	65.5			
	K40DTH2BET	380V	4	Hi	3426	3912	0.57	0.66	250	372	56.0	57.0	68.0	69.0	67.5	68.5	40	19.0	Ø350
				Lo	3264	3666	0.45	0.58	220	331	55.0	56.0	67.0	68.0	66.5	67.5			
	K45DTT2BET	380V	4	Hi	5004	6000	1.1	1.2	421	638	61.0	63.0	71.0	73.0	71.0	73.0	45	36.0	Ø400
				Lo	4860	5886	0.93	1.1	397	614	60.5	62.5	70.5	72.5	70.5	72.5			
	K45DTH2BET	380V	4	Hi	5454	6522	1.2	1.4	511	758	59.0	65.0	68.5	72.5	68.5	72.5	45	37.0	Ø400
				Lo	5250	5789	1.1	1.3	482	730	58.5	64.5	68.0	72.0	68.0	72.0			

Note: In above table, the values are tested 230V for Single-phase Models, and 380V for Three-phase Models.

- The values of air volume are measured at 0 static pressure (Pa) by the chamber method.
- The values of Current and Input are in the free load condition.
- The values of noise level are measured at 0 static pressure (Pa) and at the following positions.
 (When ducts are connected on both inlet and outlet side.)
 Side of fan body : 1.5m apart from the fan body (excluding the noise of outlet side)
 Inlet side : 1.5m apart from the inlet of the fan (excluding the noise of outlet side)
 Outlet side : 1.5m angle 45° apart from outlet side (excluding the noise of inlet side)
 Add 2dB to the values above for the noise levels apart from 1.0 m.
- Specifications above indicate the values under the condition of normal temperature (20 degrees Celsius).

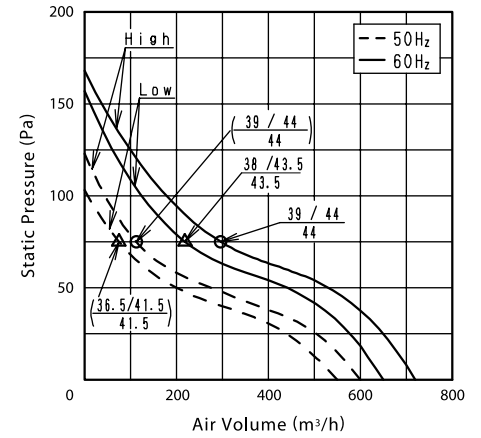
Use condition:

- Use in the following conditions
 Handling air and Ambient air : -10 to +40 deg C, relative humidity 85% or less
- Do not use the product in the places such as outdoor (where rain water splashes), where water splashes, steam is always generated, corrosive gas may be generated, or chemicals may be used.
- Do not use the product in the places such as pools or hot springs where the chemicals such as chlorine are used. It has high possibility to cause corrosion in a short term.

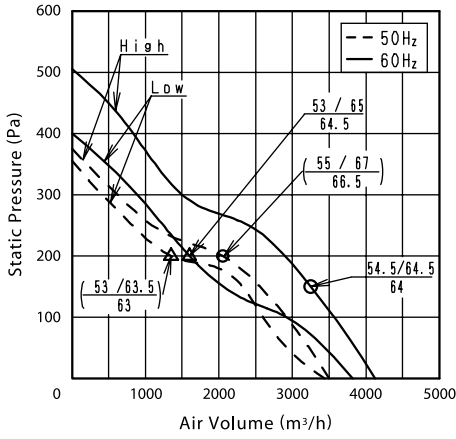
Compact Axial Flow Fan

Performance Data

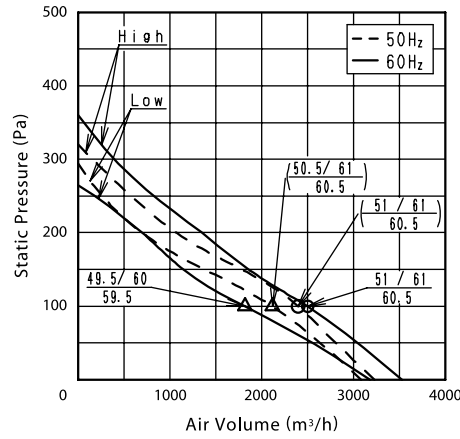
K25DSF2NET



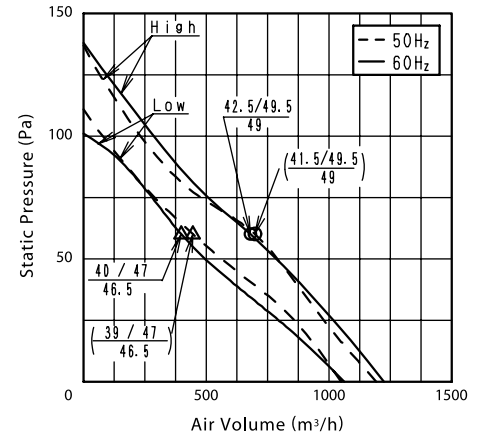
K40DSH2NET



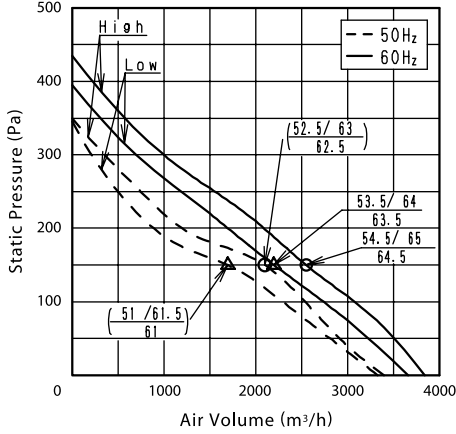
K40DSL2NET



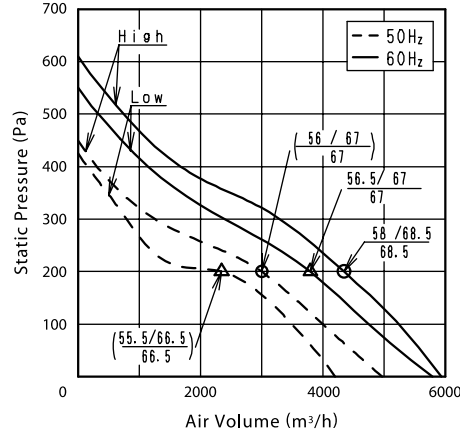
K28DSM2NET



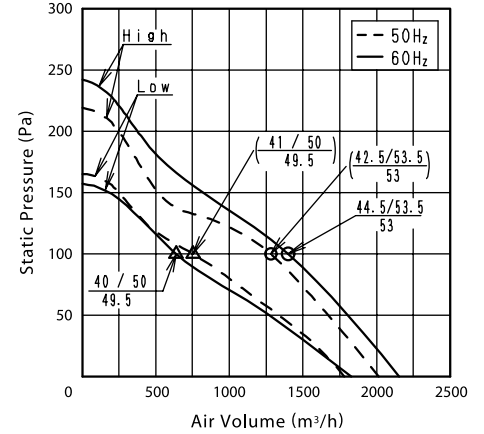
K40DTL2BET



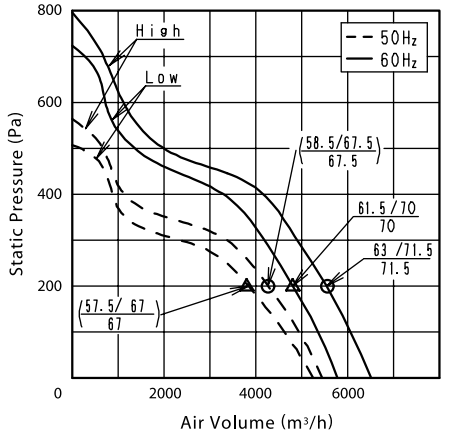
K45DST2NET



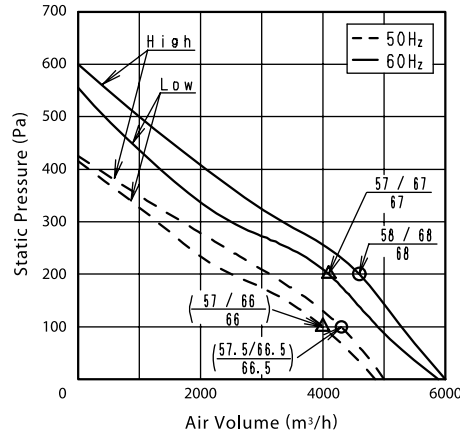
K35DSM2NET



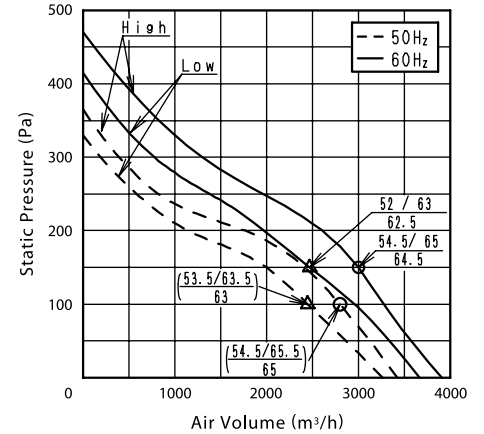
K45DTH2BET



K45DTT2BET

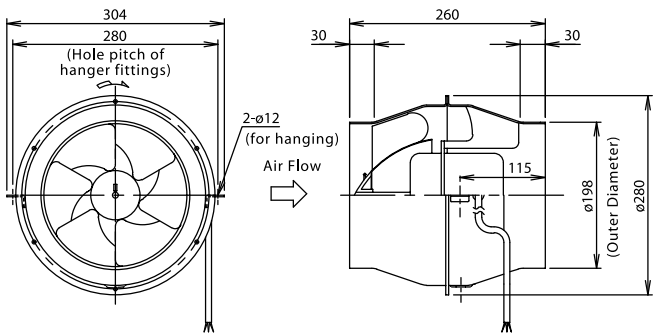


K40DTH2BET

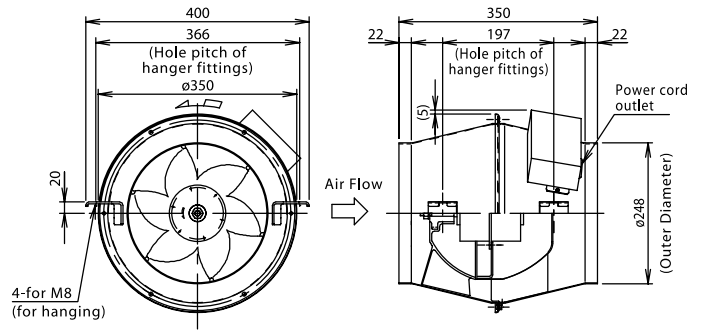


Compact Axial Flow Fan Dimensions

K25DSF2NET

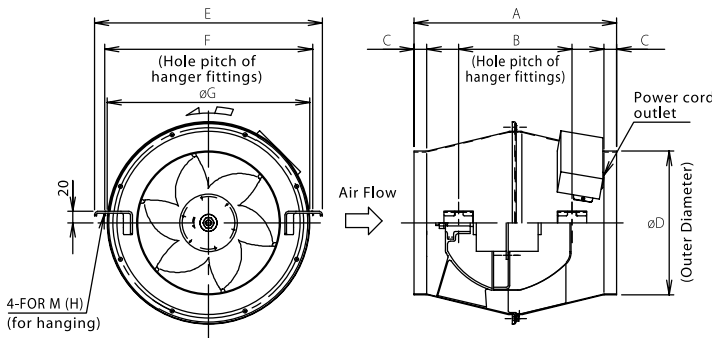


K28DSM2NET

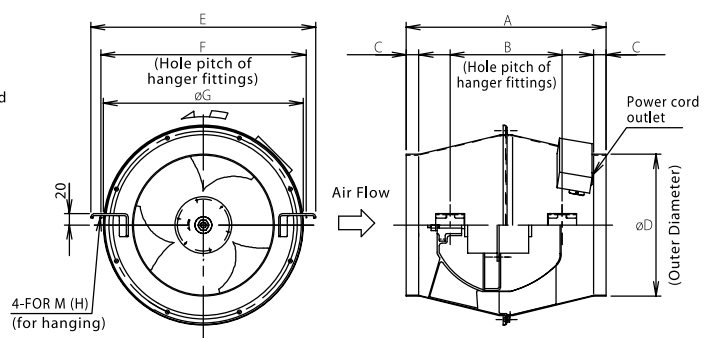


Dimension : mm

K35DSM2NET, K40DSH2NET, K40DSL2NET, K40DTH2BET, K40DTL2BET



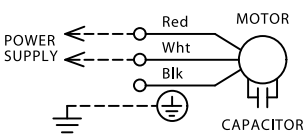
K45DST2NET, K45DTH2BET, K45DTT2BET



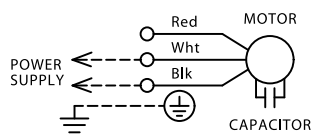
MODEL No.	A	B	C	D	E	F	G	H
K35DSM2NET	410	206	21.5	298	460	426	415	8
K40DSH2NET	480	206	26	347	525	491	480	8
K40DSL2NET	480	206	26	347	525	491	480	8
K40DTH2BET	480	206	26	347	525	491	480	8
K40DTL2BET	480	206	26	347	525	491	480	8
K45DST2NET	540	218	25.5	395	588	554	546	10
K45DTH2BET	540	218	25.5	395	588	554	546	10
K45DTT2BET	540	218	25.5	395	588	554	546	10

K25DSF2NET

High-notch

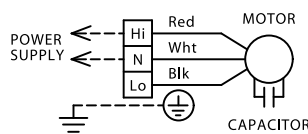


Low-notch

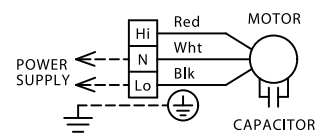


K28DSM2NET, K35DSM2NET, K40DSL2NET, K40DSH2NET, K45DST2NET

High-notch

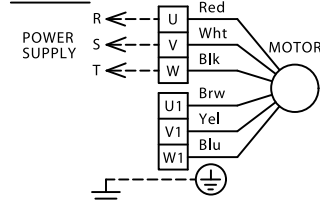


Low-notch

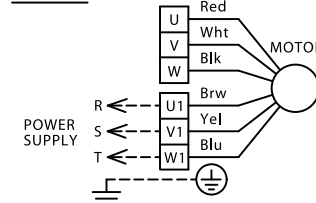


K40DTL2BET K40DTH2BET K45DTT2BET K45DTH2BET

High-notch



Low-notch



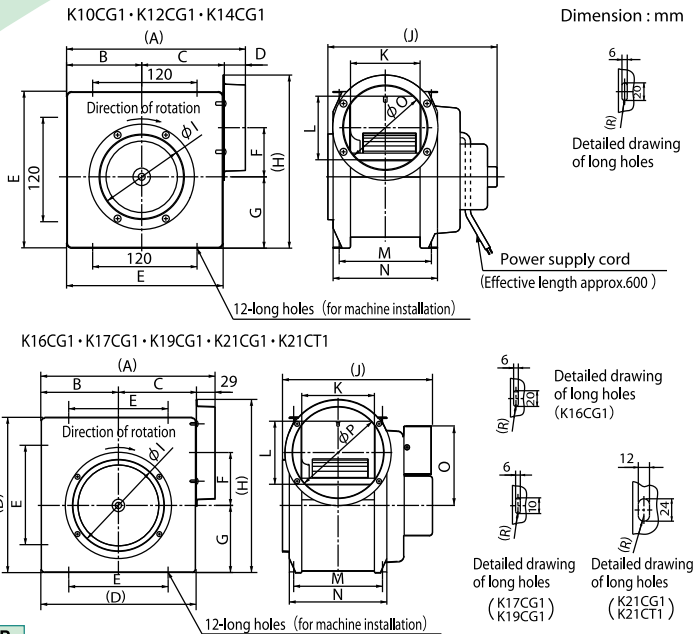
Mini Sirocco Fan

General purpose fan at a relatively high static pressure and of a large air volume.



Single Phase Three Phase

K10CG1 K21CT1
K12CG1
K14CG1
K16CG1
K17CG1
K19CG1
K21CG1



MODEL No.	A	B	C	D	E	F	G	H	I	J	K	L	M	N	O	P
K10CG1	206	86	95	24	180	56	82	199	98	199	80	74	106	120	98	-
K12CG1	261	112	119	29	230	76	100	261	148	230	105	98	131	145	148	-
K14CG1	281	125	126	250	160	85	108	279	148	237	117	102	143	157	128	148
K17CG1	331	151	150	300	160	106	130	346	198	310	165	116	187	205	142	198
K19CG1	361	166	165	330	200	121	145	378	198	360	190	110	226	250	161	198
K21CG1																
K21CT1																

MODEL No.	APPLICABLE ACCESSORIES
K10CG1	MGX100K, MCX100K, VGX100K, VCX100K
K12CG1	
K14CG1	MGX150K, MCX150K, VGX150K, VCX150K
K16CG1	

- **Compact design**
Newly designed casing resulted very compact body.
- **Low noise design**
High-performance sirocco fan achieved minimum noise level.
- **Uniform duct size**
Duct size at both suction and discharge port are identical to improve installability.
- **Adjustable outlet direction**
Outlet direction is adjustable to vertical or horizontal position.

Specifications

MODEL No.	INPUT [W]		FAN SPEED [min ⁻¹]		AIR VOLUME [m ³ /h]		Noise Level [dB]						IMPELLER DIAMETER [cm]	WEIGHT [kg]	SUCTION DUCT SIZE [mm]	DISCHARGE DUCT SIZE [mm]			
	50Hz	60Hz	50Hz	60Hz	50Hz	60Hz	Casing side		Suction side		Discharge side								
							50Hz	60Hz	50Hz	60Hz	50Hz	60Hz							
SINGLE PHASE	K10CG1		11	13	980	970	144	143	32	32	38	38	38	38	10	3.1	ø100	ø100	
	K12CG1		21	22	760	725	258	242	34	32	39	38	39	38	12	3.6	ø150	ø150	
	K14CG1		30	40	930	870	308	284	39	36	44.5	41.5	44.5	41.5	12	3.8	ø150	ø150	
	K16CG1	Hi	49	59	1080	1060	495	470	43.5	42.5	50	49	50	49	15	5.3	ø150	ø150	
		Lo	41	40	875	805	365	335	38	36	44.5	42.5	44.5	42.5					
	K17CG1	Hi	87	95	920	850	763	722	46	44.5	51	49	51	49	18	8.8	ø200	ø200	
		Lo	74	79	815	730	640	593	42.5	40	47	45	47	45					
	K19CG1	Hi	117	143	1110	1100	947	931	50.5	50	55.5	55	55.5	55	18	9.4	ø200	ø200	
Lo		109	127	1030	985	821	791	49	48	54	53	54	53						
K21CG1	Hi	240	340	1325	1430	1420	1540	57	59	61	63	61	63	20	15	ø200	ø200		
	Lo	220	300	1230	1180	1260	1230	56	54	59.5	58.5	59.5	58.5						
THREE PHASE	K21CT1		Hi	253	370	1355	1485	1450	1590	57.5	59.5	61.5	63.5	61.5	63.5	20	14.5	ø200	ø200
	Lo	177	228	1070	1030	1090	1020	51.5	50	55.5	54	55.5	54						

Note:

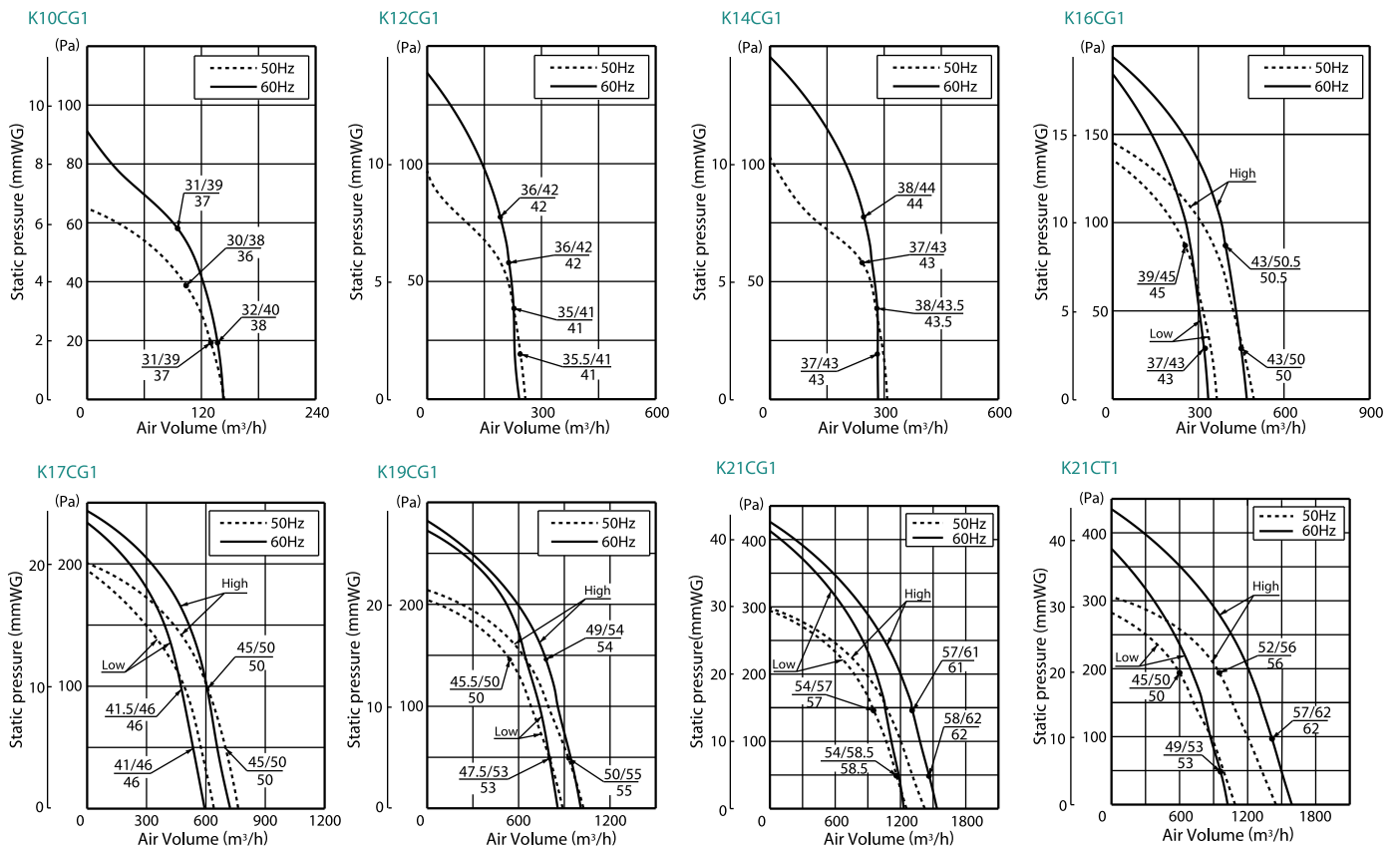
1. Power consumption is expressed as open value.
2. Air volume is measured using the Chamber method (JIS B 8330 or JIS C 9603) at 0Pa static pressure.
3. Noise : Suction side - Noise at 1.5m at suction side. Casting side - Noise at 1.5m on the side of a machine body. Discharge side - Noise at 1.5m orthogonally at discharge side.

Cautions:

- Don't use it for ventilation at a site generating heat, oily smoke, steam and/or moisture. (Environmental condition : -10°C~+40°C, relative humidity below 85%)
- Install a door 600x600mm or more for maintenance purpose.
- Install a leak breaker or a motor breaker on the source site. A control panel such as a contact switch relay is required for three phase power source.
- In cold air supply to indoor during winter and at any other occasion susceptible to dew drop, heat insulation is required.
- It is recommended to use a commercially available filter at the suction side to avoid dust and/or oil waste attachment on a blade.
- Install it on a horizontal direction.
- Do not perform parallel operation of more than one unit on a switch, for it may result in motor failure.

Mini Sirocco Fan

Performance Data

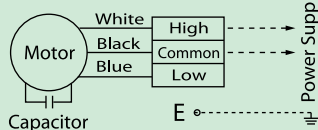


● The figures on the curve indicate noise level (dB).
It is calculated as $\frac{\text{Casing side/Suction side}}{\text{Discharge side}}$

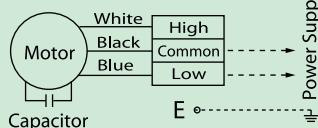
Wiring Diagram

K16CG1 · K17CG1 · K19CG1 · K21CG1

High Operation

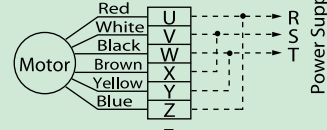


Low Operation

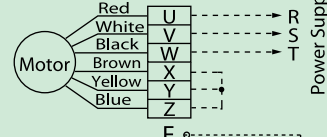


K21CT1

High Operation



Low Operation



ACCESSORIES

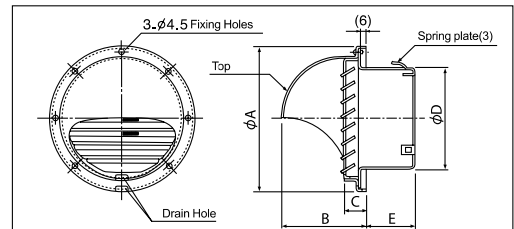
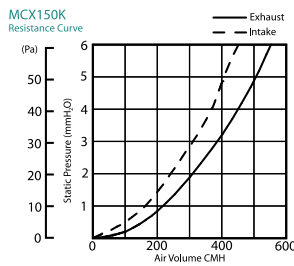
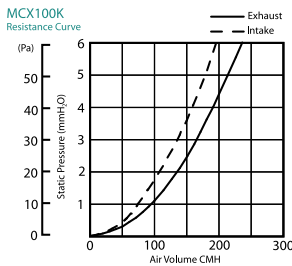
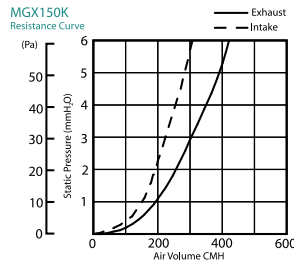
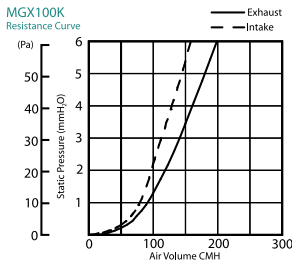
Vent Cap & Pipe Hood



Without Net With Net

MGX100K / MGX150K Pipe Hood With Net MCX100K / MCX150K Pipe Hood Without Net

- High strength - adopt 0.5mm thickness SUS 304 stainless steel.
- Excellent anti-rust capability - hood part coated with metallic silver paint prevent oxidation of material.
- Easy installation - 3 pcs of spring clip facilitate duct / pipe connection.
- 2.5x2.5mm net keep out ingress of small particles and insects from outside (MGX100K, MGX150K)
- It is recommended to use pipe hood with net at intake terminal while without net at exhaust.



MODEL No.	A	B	C	D	E
MGX100K	141	79	20	97	48
MGX150K	190	106	23	147	53
MCX100K	141	79	20	97	48
MCX150K	190	106	23	147	53

MODEL No.	Diameter of Applicable Pipe [mm]	Material	Dimension of Net [mm]	Applicable model
MGX100K	100	Stainless Steel	2.5x2.5	K10CG1
MGX150K	150	Stainless Steel	2.5x2.5	K12CG1, K14CG1, K16CG1
MCX100K	100	Stainless Steel	-	K10CG1
MCX150K	150	Stainless Steel	-	K12CG1, K14CG1, K16CG1

VGX100K / VGX150K Vent Cap With Net VCX100K / VCX150K Vent Cap Without Net

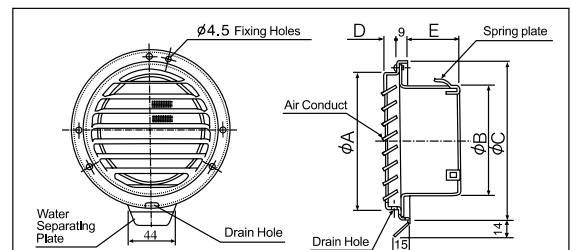
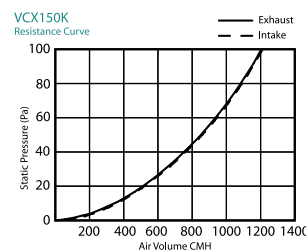
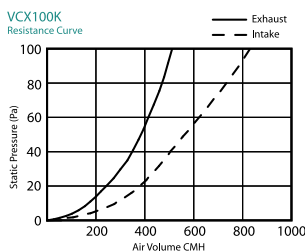
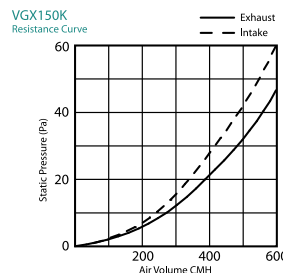
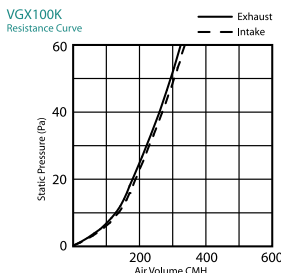


With Net



Without Net

- High strength and excellent anti-rust capability - adopt 0.5mm thickness SUS 304 stainless steel.
- Easy installation - 3 pcs of spring clip facilitate duct / pipe connection.
- 2.5x2.5mm net keep out ingress of small particles and insects from outside (VGX100K, VGX150K)
- It is recommended to use pipe hood with net at intake terminal while without net at exhaust.



MODEL No.	A	B	C	D	E
VGX100K	120	97	145	13	47
VGX150K	169	147	195	18	52
VCX100K	120	97	145	13	47
VCX150K	169	147	195	18	52

MODEL No.	Diameter of Applicable Pipe [mm]	Material	Dimension of Net [mm]	Applicable model
VGX100K	100	Stainless Steel	2.5x2.5	K10CG1
VGX150K	150	Stainless Steel	2.5x2.5	K12CG1, K14CG1, K16CG1
VCX100K	100	Stainless Steel	-	K10CG1
VCX150K	150	Stainless Steel	-	K12CG1, K14CG1, K16CG1

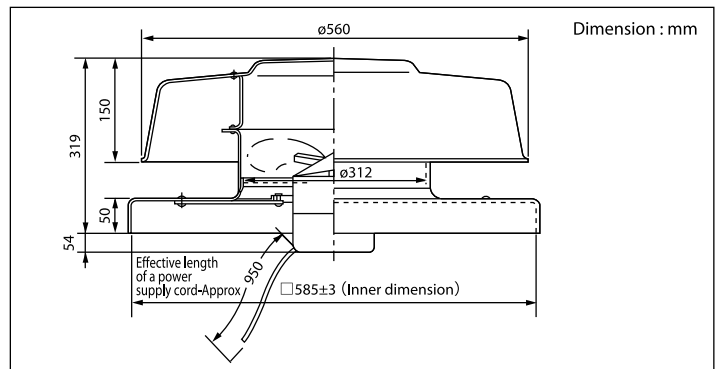
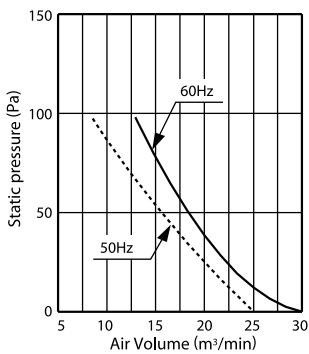
For general ventilation

K30SQK



- Light weight and long durability
- Corrosion-resistant aluminum construction
- Large air volume and low noise level
- Smart design suitable for any building

K30SQK



Specifications

MODEL No.	Wheel dia [cm]	No. of Phase	Motor specification			Noise [dB(A)]				Air flow rate at each static pressure [m³/min]							
			Rated Volatage [V]	Number of poles [P]	Output [kW]	Suction 1.5m		Discharge 1.5m		50Hz				60Hz			
						50Hz	60Hz	50Hz	60Hz	0	50	100	150	0	50	100	150
K30SQK	30	1ø	200-240	4	0.07	54	56	49	52	25	15	9	-	30	18	12	-

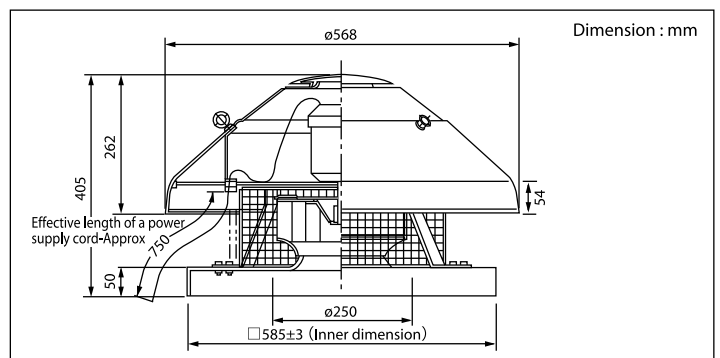
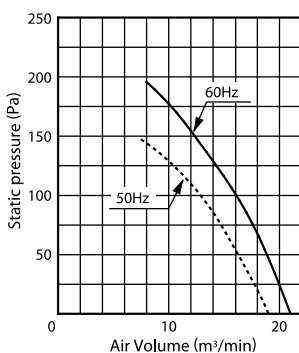
For spot ventilation

K25RSF



- Corrosion-resistant aluminum construction
- Turbo fan is used to withstand static pressure
- Sturdy and efficient construction
- Bird screen to prevent birds flying in

K25RSF



Specifications

MODEL No.	Wheel dia [cm]	No. of Phase	Motor specification			Noise [dB(A)]				Air flow rate at each static pressure [m³/min]											
			Rated Volatage [V]	Number of poles [P]	Output [kW]	Suction 1.5m		Discharge 1.5m		50Hz						60Hz					
						50Hz	60Hz	50Hz	60Hz	0	50	100	150	200	250	0	50	100	150	200	250
K25RSF	25	1ø	200-240	4	0.075	58	62	60	64	19	16.5	13	7.5	-	-	21	19	16	13	8	-

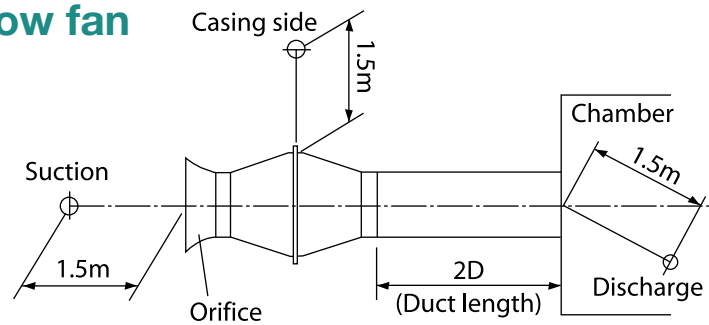
General Information

(Compact axial flow fan and mini sirocco fan)

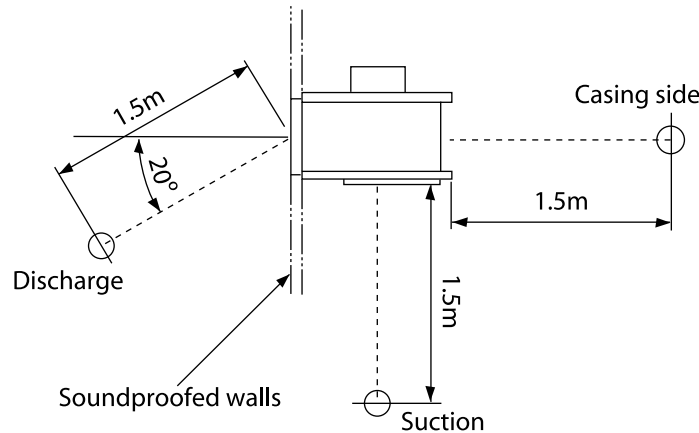
1) Test Standard

- Air volume-static pressure characteristic is measured according to testing method for fans and blowers (JIS B 8330 or JIS C 9603).
- Noise characteristic is measured according to our internal standard as described below.

Compact axial flow fan



Mini sirocco fan



2) General notes

1. Values in the specification table are specified at the static pressure of 0Pa.
2. The values of electric characteristic have an allowance of $\pm 15\%$ for 100W or less and that of $\pm 10\%$ for 100W or more.
3. The values of noise characteristic have an allowance of $\pm 5\text{dB}$.
4. All fans should be used at the ambient temperature ranging from -10°C to $+40^{\circ}\text{C}$ with RH of 85% or less.
5. Do not use it for ventilation at a site generating heat, oily smoke, steam and /or moisture.
6. Install a leak breaker or a motor breaker on the power source site. A control panel such as a contact switch relay is required for three phase power source.
7. In cold air supply to indoor during winter and at any other occasion susceptible to dew drop, heat insulation is required.
8. It is recommended to use a commercially available filter at the suction side to avoid dust and/or oil waste attachment on a blade.
9. Install it on a horizontal direction. Do not install it upside down or vertically. (for compact axial flow fan)
10. Do not perform parallel operation of more than one unit on a switch, for it may result in motor failure.
11. Make sure that capacity and specifications of change-over switch can meet the electric characteristic of fans when Hi/Lo speed control switch is used.

ENERGY RECOVERY VENTILATOR

Standard Series



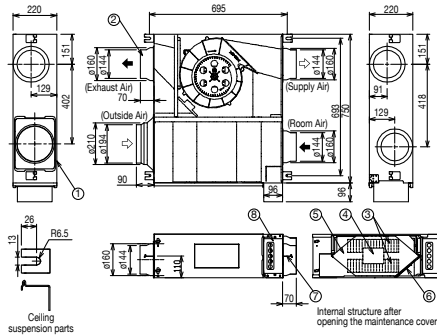
E25DZUA

Product Dimension

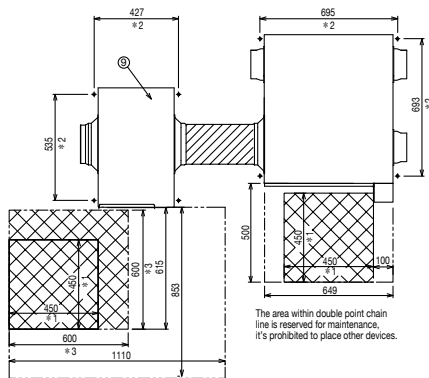
UNIT: mm

■ Maintenance Dimension

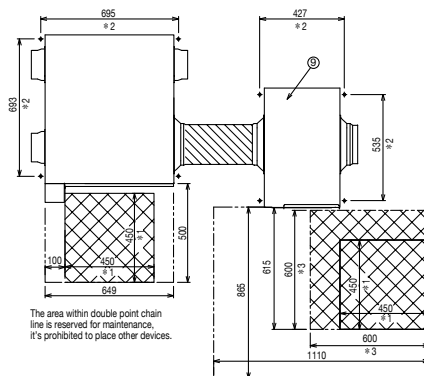
It must be set the maintenance door, and clean the filter and heat exchange core as specified in instruction.



Installation method for case 1



Installation method for case 2



- Counter-flow heat-exchange element adopted for compact size
- All maintenance can be performed through a single inspection hole
- Equipped with Extra-High setting
- Bypass ventilation available for speedy exhaust
- Interlock with air conditioning available



KDK Company, Division of PES and Panasonic Ecology Systems Guangdong Co., Ltd. certify that the industrial series models shown herein are licensed to bear the AMCA Seal. The ratings shown are based on the tests and procedures performed in accordance with AMCA Publication 211 and comply with the requirements of the AMCA Certified Rating Program.

No.	Part name	Qty	Material
1	Frame	1	Galvanized Steel Sheet
2	Adapter	4	ABS
3	Impeller	2	PP
4	Fan Motor	1	/
5	Heat Exchange Core	1	Special Paper and Resin
6	Indoor Filter	1	/
7	Ceiling Suspension	4	Galvanized Steel Sheet
8	Switch Box	1	Galvanized Steel Sheet
9	Filter Box Unit	-	/

Specification

Model No.	Voltage	Frequency	CFM AT Static Pressure (ps-inches of H ₂ O)											Watts*	Watts**	
			inches of H ₂ O	0	0.1	0.125	0.25	0.375	0.5	0.75	1	1.25	1.5	1.75	For AMCA	For IEC
E25DZUA	220V	60Hz	CFM (OA-SA)	183	172	168	155	143	131	108	77	14	-	-	197	171
			CFM (RA-EA)	130	118	115.5	104	91	77	44	0	-	-	-	187	

Performance certified is for installation type D-Ducted inlet, Ducted outlet. Speed (RPM) shown is nominal. Performance is based on actual speed of test.

Performance ratings do not include the effects of appurtenances (accessories). Air performance ratings for gross supply airflow are from port 2. Air performance ratings for gross exhaust airflow are to port 3.

*The Watts ratings is only for AMCA test method and it is at the static pressure of 0 inch of H₂O.

** The Watts rating is only for IEX test method and AMCA Certified Rating Seal does not apply to IEC test method watts.


ENERGY RECOVERY VENTILATOR

Standard Series



E35DZUA

- Counter-flow heat-exchange element adopted for compact size
- All maintenance can be performed through a single inspection hole
- Equipped with Extra-High setting
- Bypass ventilation available for speedy exhaust
- Interlock with air conditioning available



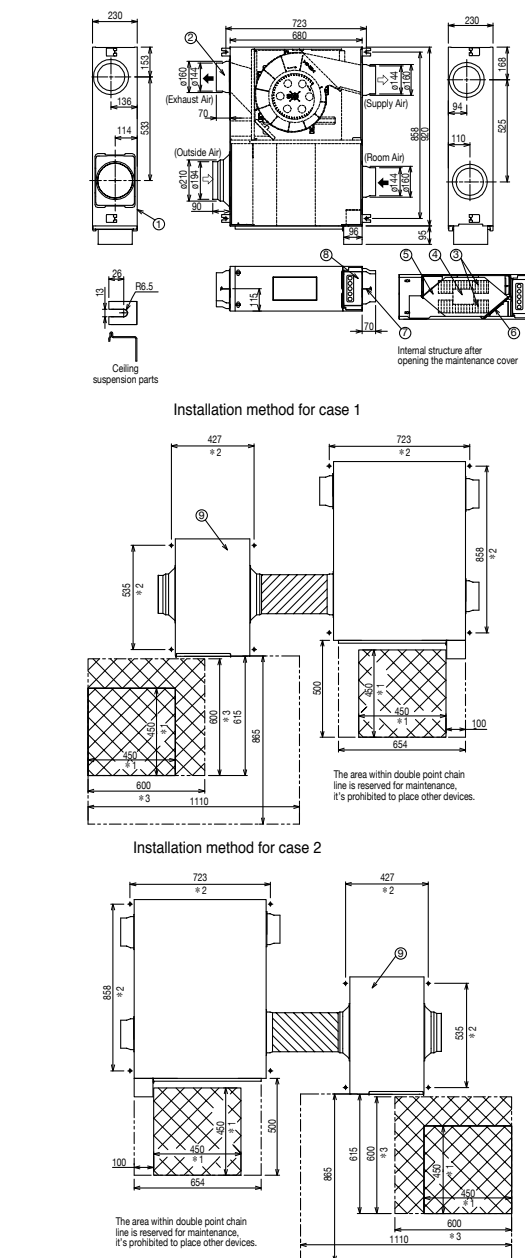
KDK Company, Division of PES and Panasonic Ecology Systems Guangdong Co., Ltd. certify that the industrial series models shown herein are licensed to bear the AMCA Seal. The ratings shown are based on the tests and procedures performed in accordance with AMCA Publication 211 and comply with the requirements of the AMCA Certified Rating Program.

No.	Part name	Qty	Material
1	Frame	1	Galvanized Steel Sheet
2	Adapter	4	ABS
3	Impeller	2	PP
4	Fan Motor	1	/
5	Heat Exchange Core	1	Special Paper and Resin
6	Indoor Filter	1	/
7	Ceiling Suspension	4	Galvanized Steel Sheet
8	Switch Box	1	Galvanized Steel Sheet
9	Filter Box Unit	-	/

UNIT: mm

Product Dimension

■ Maintenance Dimension
It must be set the maintenance door, and clean the filter and heat exchange core as specified in instruction.



Internal structure after opening the maintenance cover

Ceiling suspension parts

Installation method for case 1

Installation method for case 2

The area within double point chain line is reserved for maintenance, it's prohibited to place other devices.

Specification																
Model No.	Voltage	Frequency	CFM AT Static Pressure (ps-inches of H ₂ O)												Watts*	Watts**
			inches of H ₂ O	0	0.1	0.125	0.25	0.375	0.5	0.75	1	1.25	1.5	1.75	For AMCA	For IEC
E35DZUA	220V	60Hz	CFM (OA-SA)	258	250	247	237	225	211	174	144	118	69	-	348	310
			CFM (RA-EA)	192	183	180	169	157	144	116	84	49	0	-	342	

Performance certified is for installation type D-Ducted inlet, Ducted outlet. Speed (RPM) shown is nominal. Performance is based on actual speed of test. Performance ratings do not include the effects of appurtenances (accessories). Air performance ratings for gross supply airflow are from port 2. Air performance ratings for gross exhaust airflow are to port 3. *The Watts ratings is only for AMCA test method and it is at the static pressure of 0 inch of H₂O. ** The Watts rating is only for IEX test method and AMCA Certified Rating Seal does not apply to IEC test method watts.

ENERGY RECOVERY VENTILATOR

Standard Series



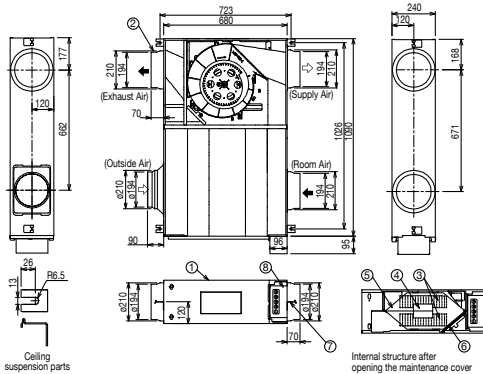
E50DZUA

Product Dimension

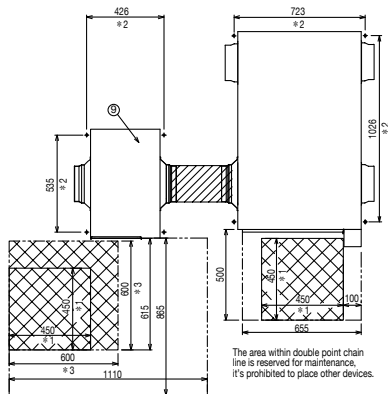
UNIT: mm

■ Maintenance Dimension

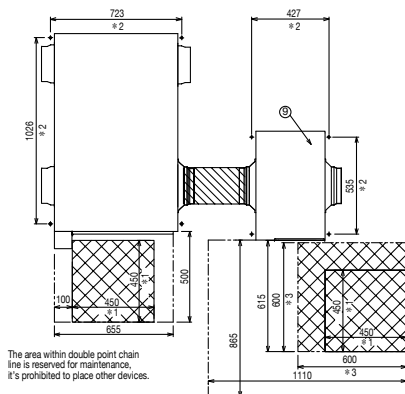
It must be set the maintenance door, and clean the filter and heat exchange core as specified in instruction.



Installation method for case 1



Installation method for case 2



- Counter-flow heat-exchange element adopted for compact size
- All maintenance can be performed through a single inspection hole
- Equipped with Extra-High setting
- Bypass ventilation available for speedy exhaust
- Interlock with air conditioning available



KDK Company, Division of PES and Panasonic Ecology Systems Guangdong Co., Ltd. certify that the industrial series models shown herein are licensed to bear the AMCA Seal. The ratings shown are based on the tests and procedures performed in accordance with AMCA Publication 211 and comply with the requirements of the AMCA Certified Rating Program.

No.	Part name	Qty	Material
1	Frame	1	Galvanized Steel Sheet
2	Adapter	4	ABS
3	Impeller	2	PP
4	Fan Motor	1	/
5	Heat Exchange Core	2	Special Paper and Resin
6	Indoor Filter	1	/
7	Ceiling Suspension	4	Galvanized Steel Sheet
8	Switch Box	1	Galvanized Steel Sheet
9	Filter Box Unit	-	/

Specification

Model No.	Voltage	Frequency	CFM AT Static Pressure (ps-inches of H ₂ O)												Watts*	Watts**
			inches of H ₂ O	0	0.1	0.125	0.25	0.375	0.5	0.75	1	1.25	1.5	1.75		
E50DZUA	220V	60Hz	CFM (OA-SA)	339	330	326	314	303	290	261	230	188	134	80	470	406
			CFM (RA-EA)	253	241	238	224	207	190	154	117	82	41	-	443	

Performance certified is for installation type D-Ducted inlet, Ducted outlet. Speed (RPM) shown is nominal. Performance is based on actual speed of test.

Performance ratings do not include the effects of appurtenances (accessories). Air performance ratings for gross supply airflow are from port 2. Air performance ratings for gross exhaust airflow are to port 3.

*The Watts ratings is only for AMCA test method and it is at the static pressure of 0 inch of H₂O.

** The Watts rating is only for IEX test method and AMCA Certified Rating Seal does not apply to IEC test method watts.

ENERGY RECOVERY VENTILATOR

Accessory & Filter Box

EB90SA



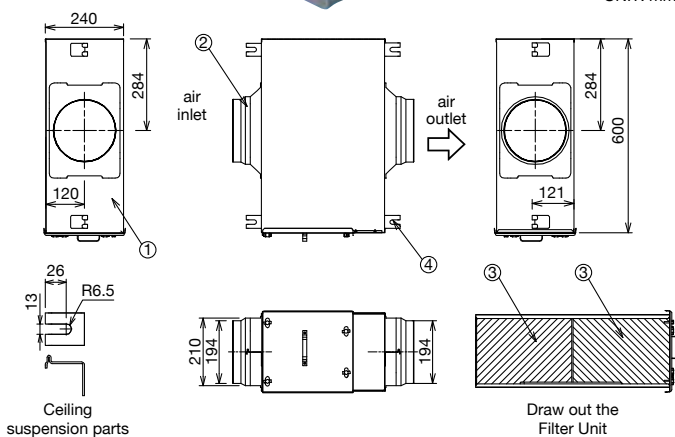
- Applicable to series DZUA
- Power: 220V / 60Hz
- Rate voltage: 3.6W
- Outer size: 86x86x40mm

Filter Box Unit

BE25DZUA For E25DZUA, E35DZUA



UNIT: mm

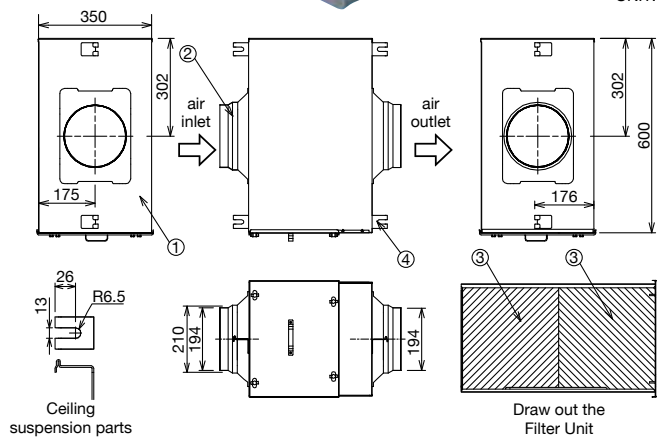


No.	Part name	Qty	Material
1	Frame	1	Galvanized Steel Sheet
2	Adapter	2	ABS
3	Outdoor filter	2	Nonwoven Fabric
4	Ceiling Suspension	4	Galvanized Steel Sheet

BE50DZUA For E50DZUA



UNIT: mm



No.	Part name	Qty	Material
1	Frame	1	Galvanized Steel Sheet
2	Adapter	2	ABS
3	Outdoor filter	2	Nonwoven Fabric
4	Ceiling Suspension	4	Galvanized Steel Sheet

Replacement Filter

Product name	Filter Model	Filter(s) Included	Applicable Model	Service life of the filter	Remarks
Replacement filter for Filter Box Unit	FP25DZUA	2	BE25DZUA	2-4 months	Clean monthly
	FP50DZUA	2	BE50DZUA		
Replacement filter for ERV	FB25DZUA	1	E25DZUA	6 months	
	FB35DZUA	1	E35DZUA		
	FB50DZUA	1	E50DZUA		

- The service life of the filters varies with service environment, and the filters should be replaced with the new one.
- The air volume and filter efficiency will drop to different levels because of different service environments and service time. If the whole area indicated by the arrow turns black, please replace the filter.

ENERGY RECOVERY VENTILATOR

Product Specification

Model No.	Voltage	Frequency	CFM AT Static Pressure (ps-inches of H ₂ O)												Watts*	Watts**
			inches of H ₂ O	0	0.1	0.125	0.25	0.375	0.5	0.75	1	1.25	1.5	1.75	For AMCA	For IEC
E25DZUA	220V	60Hz	CFM (OA-SA)	183	172	168	155	143	131	108	77	14	-	-	197	171
			CFM (RA-EA)	130	118	115.5	104	91	77	44	0	-	-	-	187	
E35DZUA	220V	60Hz	CFM (OA-SA)	258	250	247	237	225	211	174	144	118	69	-	348	310
			CFM (RA-EA)	192	183	180	169	157	144	116	84	49	0	-	342	
E50DZUA	220V	60Hz	CFM (OA-SA)	339	330	326	314	303	290	261	230	188	134	80	470	406
			CFM (RA-EA)	253	241	238	224	207	190	154	117	82	41	-	443	

Performance certified is for installation type D: Duct inlet, Duct outlet.

Performance is based on actual speed of test.

* The Watts rating is only for AMCA test method and it is at the static pressure of 0 inch of H₂O.

** The Watts rating is only for IEC test method and AMCA Certified Rating Seal does not apply to IEC test method watts.

Main Body	Size (mm)	650 x 750 x 220	680 x 920 x 230	680 x 1090 x 240
	Weight	30	39	45
	OA Side Duct Diameter	ø200		
	Duct Diameter RA/SA/EA	ø150		ø200

Up-Side Down Installation	Yes
----------------------------------	-----

Filter Box	Duct Diameter	ø200	
	Size (mm)	600 x 385 x 240	600 x 385 x 350

CEILING MOUNT VENTILATION FAN

Super Quiet Series

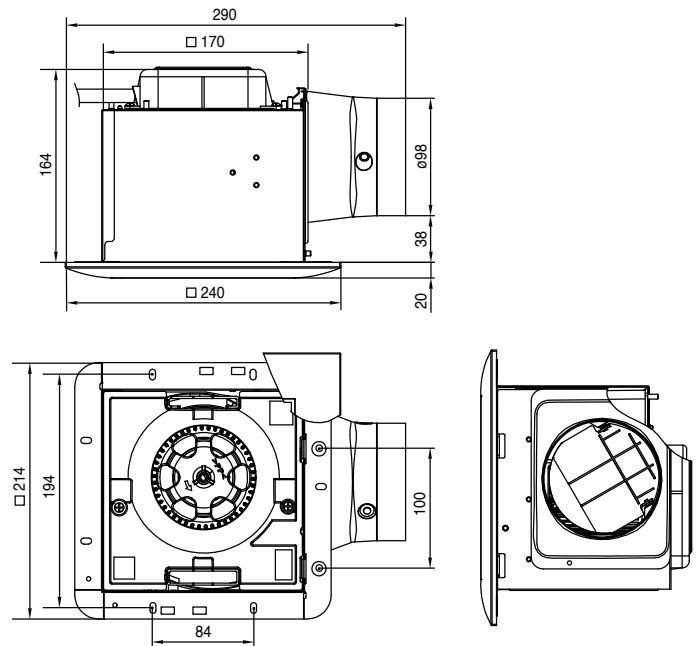


**17CUG/
17CUGA**

- Super low noise design
- Long life ball bearing motor
- Taper blade sirocco fan
- Resonance-Noise-Absorption Structure
- Reverse flow prevention shutter
- Pre-installed power cord

Product Dimension

UNIT: mm



KDK Company, Division of PES and Panasonic Ecology Systems Guangdong Co., Ltd. certify that the Super Quiet Series models shown herein are licensed to bear the AMCA Seal. The ratings shown are based on tests and procedures performed in accordance with AMCA Publication 211 and AMCA Publication 311 and comply with the requirements of the AMCA Certified Ratings Program.

Specification

Model	Voltage	Frequency	CFM / SONE AT STATIC Pressure (ps-inches of H ₂ O)								RPM	Watts [†]	Watts ^{**}
			inches of H ₂ O	0	0.1	0.125	0.25	0.375	0.5	0.625			
17CUG/ 17CUGA	220V	60Hz	CFM	41	28	25	---	---	---	---	810	11	10
			Sones	0.3	0.5	0.6	---	---	---	---			
	240V	50Hz	CFM	50	43	40	---	---	---	---	780	12	10.5
			Sones	0.3	0.4	0.6	---	---	---	---			

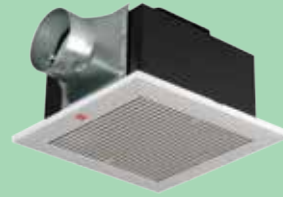
Performance certified is for installation type B: Free inlet, Ducted outlet. Performance ratings include the effects of an inlet grille and backdraft shutter. Speed (RPM) shown is nominal. Performance is based on actual speed of test. The sound ratings shown are loudness values in fan sones at 5 ft. (1.5m) in a hemispherical free field calculated per AMCA International Standard 301. Values shown are for installation type B: Free inlet hemispherical sone levels.

[†] the Watts rating is only for AMCA test method and it is at the static pressure of 0 inch of H₂O.

^{**} the Watts rating is only for IEC test method and the AMCA Certified Ratings Seal does not apply to IEC test method watts.

CEILING MOUNT VENTILATION FAN

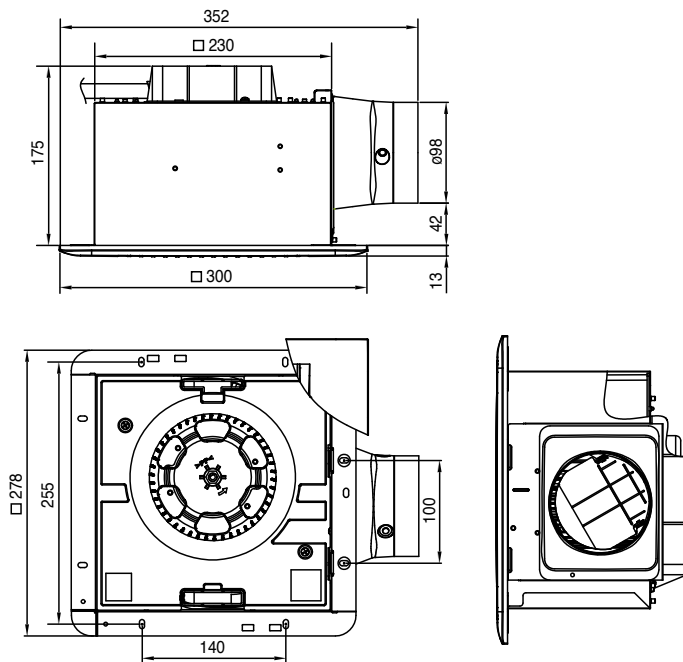
Super Quiet Series



**24CUG/24CDG/
24CHG**

Product Dimension

UNIT: mm



- Super low noise design
- Long life ball bearing motor
- Taper blade sirocco fan
- Resonance-Noise-Absorption Structure
- Reverse flow prevention shutter
- Pre-installed power cord



KDK Company, Division of PES and Panasonic Ecology Systems Guangdong Co., Ltd. certify that the Super Quiet Series models shown herein are licensed to bear the AMCA Seal. The ratings shown are based on tests and procedures performed in accordance with AMCA Publication 211 and AMCA Publication 311 and comply with the requirements of the AMCA Certified Ratings Program.

Specification

Model	Voltage	Frequency	CFM / SONE AT STATIC Pressure (ps-inches of H ₂ O)								RPM	Watts*	Watts**
			inches of H ₂ O	0	0.1	0.125	0.25	0.375	0.5	0.625			
24CUG	220V	60Hz	CFM	83	73	68	44	---	---	---	610	16	15.5
			Sones	0.5	0.6	0.6	1.4						
	240V	50Hz	CFM	88	77	75	51	---	---	---	680	15.1	14
			Sones	0.7	0.8	0.9	1.6						
24CDG	220V	60Hz	CFM	101	90	88	64	---	---	---	750	18.2	16.5
			Sones	0.7	0.8	0.9	1.5						
	240V	50Hz	CFM	105	91	86	64	---	---	---	780	18.6	17.5
			Sones	0.8	0.9	1.0	1.7						
24CHG	220V	60Hz	CFM	109	99	96	75	47	---	---	860	23.6	22
			Sones	1.0	1.2	1.2	1.5	2.4					
	240V	50Hz	CFM	116	100	94	72	33	---	---	890	23.5	22
			Sones	1.2	1.3	1.4	1.6	2.1					

Performance certified is for installation type B: Free inlet, Ducted outlet. Performance ratings include the effects of an inlet grille and backdraft shutter. Speed (RPM) shown is nominal. Performance is based on actual speed of test. The sound ratings shown are loudness values in fan sones at 5 ft. (1.5m) in a hemispherical free field calculated per AMCA International Standard 301. Values shown are for installation type B: Free inlet hemispherical sone levels.

* the Watts rating is only for AMCA test method and it is at the static pressure of 0 inch of H₂O.

** the Watts rating is only for IEC test method and the AMCA Certified Ratings Seal does not apply to IEC test method watts.

CEILING MOUNT VENTILATION FAN

Super Quiet Series

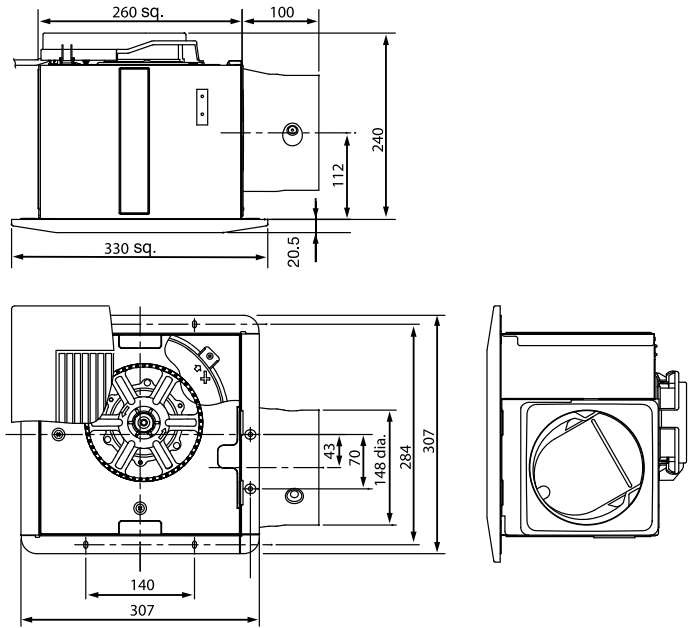


27CHH

- Super low noise design
- Long life ball bearing motor
- Taper blade sirocco fan
- Resonance-Noise-Absorption Structure
- Pre-installed power cord
- 2 speed selectable

Product Dimension

UNIT: mm



KDK Company, Division of PES and Panasonic Ecology Systems Guangdong Co., Ltd. certify that the Super Quiet Series models shown herein are licensed to bear the AMCA Seal. The ratings shown are based on tests and procedures performed in accordance with AMCA Publication 211 and AMCA Publication 311 and comply with the requirements of the AMCA Certified Ratings Program.

Specification

Model	Voltage	Frequency	Speed	CFM / SONE AT STATIC Pressure (ps-inches of H ₂ O)								RPM	Watts*	Watts**
				inches of H ₂ O	0	0.1	0.125	0.25	0.375	0.5	0.625			
27CHH	220V	60Hz	Hi	CFM	182	162	158	118	78	37	---	570	33	33
				Sones	1.1	1.2	1.3	1.7	2.2	2.5				
	240V	50Hz	Hi	CFM	198	179	172	126	78	18	---	609	37	34
				Sones	1.4	1.5	1.6	1.8	2.3	2.5				

Performance certified is for installation type B: Free inlet, Ducted outlet. Performance ratings include the effects of an inlet grille and backdraft shutter. Speed (RPM) shown is nominal. Performance is based on actual speed of test. The sound ratings shown are loudness values in fan sones at 5 ft. (1.5m) in a hemispherical free field calculated per AMCA International Standard 301. Values shown are for installation type B: Free inlet hemispherical sone levels.

* the Watts rating is only for AMCA test method and it is at the static pressure of 0 inch of H₂O.

** the Watts rating is only for IEC test method and the AMCA Certified Ratings Seal does not apply to IEC test method watts.

CEILING MOUNT VENTILATION FAN

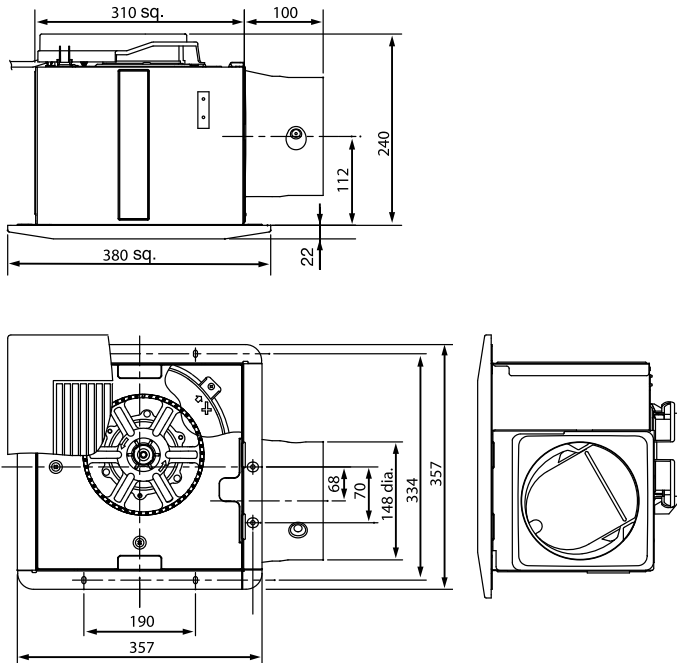
Super Quiet Series



32CDH

Product Dimension

UNIT: mm



- Super low noise design
- Long life ball bearing motor
- Taper blade sirocco fan
- Resonance-Noise-Absorption Structure
- Pre-installed power cord
- 2 speed selectable



KDK Company, Division of PES and Panasonic Ecology Systems Guangdong Co., Ltd. certify that the Super Quiet Series models shown herein are licensed to bear the AMCA Seal. The ratings shown are based on tests and procedures performed in accordance with AMCA Publication 211 and AMCA Publication 311 and comply with the requirements of the AMCA Certified Ratings Program.

Specification

Model	Voltage	Frequency	Speed	CFM / SONE AT STATIC Pressure (ps-inches of H ₂ O)								RPM	Watts*	Watts**
				inches of H ₂ O	0	0.1	0.125	0.25	0.375	0.5	0.625			
32CDH	220V	60Hz	Hi	CFM	226	202	196	163	127	91	53	580	48	48
				Sones	1.2	1.3	1.4	1.7	2.2	2.7	3.3			
	240V	50Hz	Hi	CFM	257	236	230	192	147	99	53	675	56	50
				Sones	1.6	1.7	1.8	1.9	2.5	3.0	3.6			

Performance certified is for installation type B: Free inlet, Ducted outlet. Performance ratings include the effects of an inlet grille and backdraft shutter. Speed (RPM) shown is nominal. Performance is based on actual speed of test. The sound ratings shown are loudness values in fan sones at 5 ft. (1.5m) in a hemispherical free field calculated per AMCA International Standard 301. Values shown are for installation type B: Free inlet hemispherical sone levels.

* the Watts rating is only for AMCA test method and it is at the static pressure of 0 inch of H₂O.

** the Watts rating is only for IEC test method and the AMCA Certified Ratings Seal does not apply to IEC test method watts.

CEILING MOUNT VENTILATION FAN

Standard Series

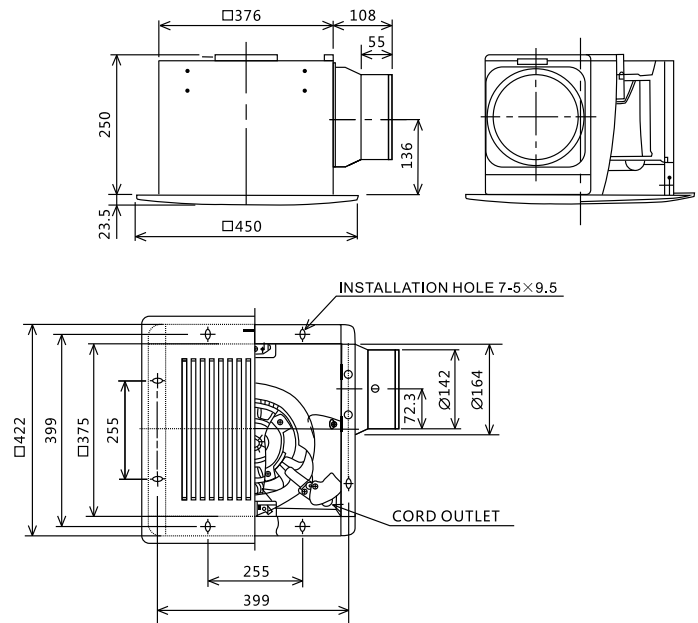


**38CDG/
38CDG 05**

- High-Low speed selectable
- Condenser motor with thermal cut-off
- Well lubricated bearing for long life operation
- High performance sirocco fan

Product Dimension

UNIT: mm



KDK Company, Division of PES and Panasonic Ecology Systems Guangdong Co., Ltd. certify that the Standard models shown herein are licensed to bear the AMCA Seal. The ratings shown are based on tests and procedures performed in accordance with AMCA Publication 211 and AMCA Publication 311 and comply with the requirements of the AMCA Certified Ratings Program.

Specification

Model	Voltage	Frequency	Speed	CFM / SONE AT STATIC Pressure (ps-inches of H ₂ O)										RPM	Watts*	Watts**
				inches of H ₂ O	0	0.1	0.125	0.25	0.375	0.5	0.625	0.75	0.875			
38CDG	220V	60Hz	Hi	CFM	344	323	317	290	261	230	197	163	126	626	98	98
				Sones	3.1	3.2	3.2	3.3	3.6	4.1	4.5	5.7	5.7			
38CDG 05 38CDG	240V	50Hz	Hi	CFM	387	367	362	336	305	259	212	165	108	737	118	104
				Sones	4.0	4.1	4.2	4.3	4.4	4.7	5.3	5.7	6.2			

Performance certified is for installation type B: Free inlet, Ducted outlet. Performance ratings include the effects of an inlet grille and backdraft shutter. Speed (RPM) shown is nominal. Performance is based on actual speed of test. The sound ratings shown are loudness values in fan sones at 5 ft. (1.5m) in a hemispherical free field calculated per AMCA International Standard 301. Values shown are for installation type B: Free inlet hemispherical sone levels.
 * the Watts rating is only for AMCA test method and it is at the static pressure of 0 inch of H₂O.
 ** the Watts rating is only for IEC test method and the AMCA Certified Ratings Seal does not apply to IEC test method watts.

CEILING MOUNT VENTILATION FAN

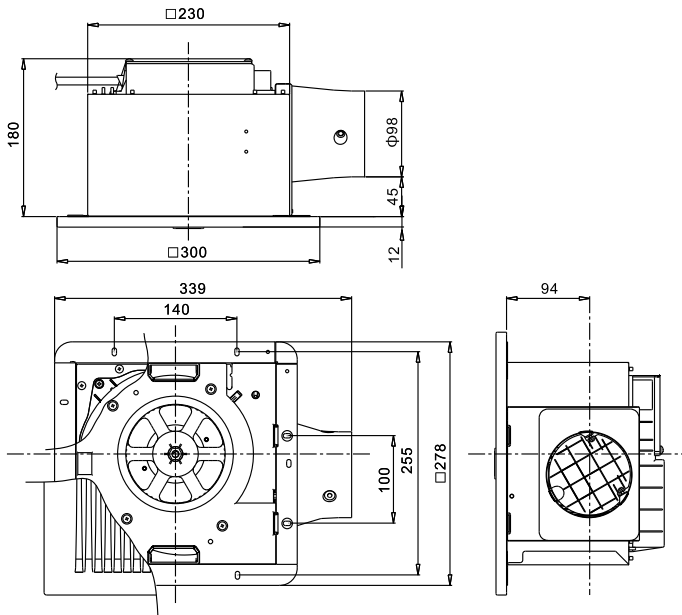
DC Motor Series



24JRB

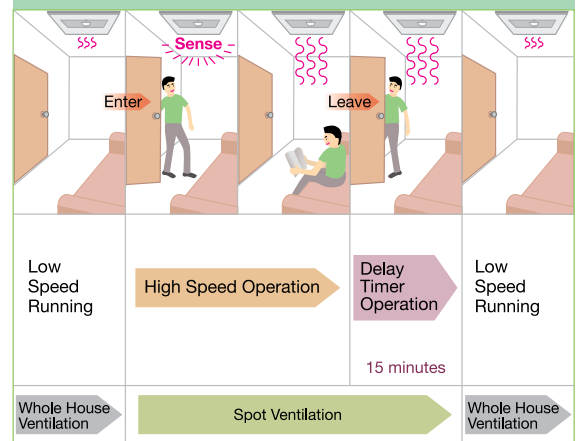
Product Dimension

UNIT: mm



- DC (Direct Current) motor
- Auto operation by motion sensor
- Constant airflow
- Variable air volume
- Delay timer (15 minutes)
- Resonance-Noise-Absorption Structure

The operation of whole house ventilation and spot ventilation



The operation is activated by motion sensor.



KDK Company, Division of PES and Panasonic Ecology Systems Guangdong Co., Ltd. certify that the DC Motor models shown herein are licensed to bear the AMCA Seal. The ratings shown are based on tests and procedures performed in accordance with AMCA Publication 211 and AMCA Publication 311 and comply with the requirements of the AMCA Certified Ratings Program.

Specification

Model	Voltage	Frequency	Speed	CFM / SONE AT STATIC Pressure (ps-inches of H ₂ O)										RPM	Watts [†]	Watts ^{**}
				inches of H ₂ O	0	0.1	0.125	0.25	0.375	0.5	0.625	0.75	0.875			
24JRB	220V	60Hz	Hi	CFM	88	88	88	88	63	34	5	---	---	853	10	8
				Sones	0.7	1.0	1.0	1.3	1.7	1.8	3.1	---	---			
	240V	50Hz	Hi	CFM	88	88	88	88	63	34	5	---	---			
				Sones	0.7	1.0	1.0	1.3	1.7	1.8	3.1	---	---			

Performance certified is for installation type B: Free inlet, Ducted outlet. Performance ratings include the effects of an inlet grille and backdraft shutter. Speed (RPM) shown is nominal. Performance is based on actual speed of test. The sound ratings shown are loudness values in fan sones at 5 ft. (1.5m) in a hemispherical free field calculated per AMCA International Standard 301. Values shown are for installation type B: Free inlet hemispherical sone levels.

[†] the Watts rating is only for AMCA test method and it is at the static pressure of 0 inch of H₂O.

^{**} the Watts rating is only for IEC test method and the AMCA Certified Ratings Seal does not apply to IEC test method watts.

CEILING MOUNT VENTILATION FAN

DC Motor Series

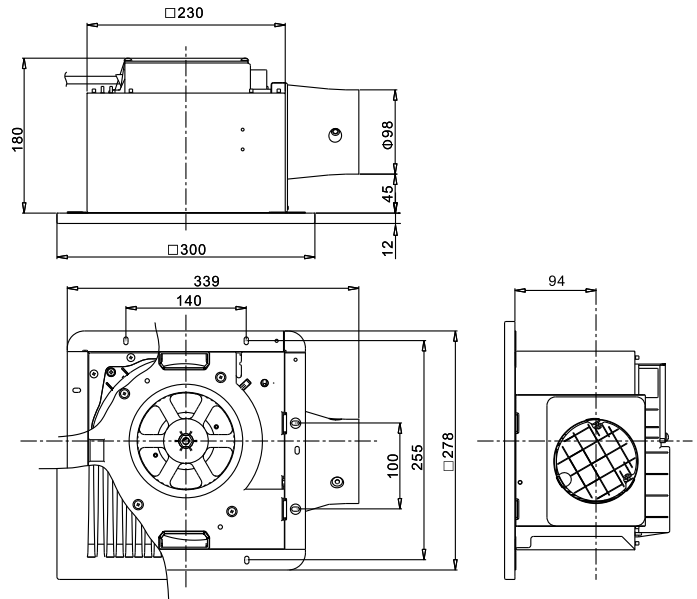


24JAB

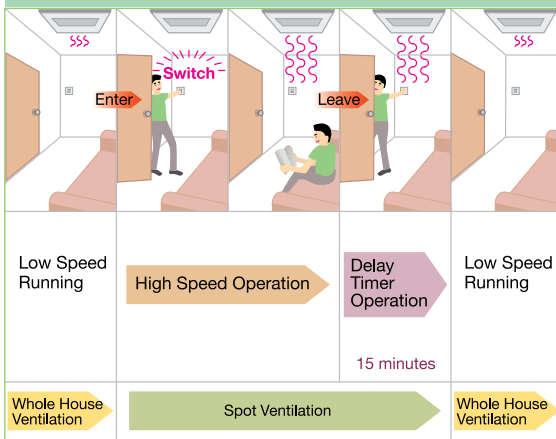
- DC (Direct Current) motor
- Constant airflow
- Variable air volume
- Delay timer (15 minutes)
- Resonance-noise-Absorption Structure

Product Dimension

UNIT: mm



The operation of whole house ventilation and spot ventilation



The operation can be activated by switch on and off manually.



KDK Company, Division of PES and Panasonic Ecology Systems Guangdong Co., Ltd. certify that the DC Motor models shown herein are licensed to bear the AMCA Seal. The ratings shown are based on tests and procedures performed in accordance with AMCA Publication 211 and AMCA Publication 311 and comply with the requirements of the AMCA Certified Ratings Program.

Specification

Model	Voltage	Frequency	Speed	CFM / SONE AT STATIC Pressure (ps-inches of H ₂ O)										RPM	Watts*	Watts**
				inches of H ₂ O	0	0.1	0.125	0.25	0.375	0.5	0.625	0.75	0.875			
24JAB	220V	60Hz	Hi	CFM	88	88	88	88	63	34	5	---	--	839	10	8
				Sones	0.6	0.9	1.0	1.4	1.6	1.9	3.2	---	----			
	240V	50Hz	Hi	CFM	88	88	88	88	63	34	5	---	---			
				Sones	0.6	0.9	1.0	1.4	1.6	1.9	3.2	---	---			

Performance certified is for installation type B: Free inlet, Ducted outlet. Performance ratings include the effects of an inlet grille and backdraft shutter. Speed (RPM) shown is nominal. Performance is based on actual speed of test. The sound ratings shown are loudness values in fan sones at 5 ft. (1.5m) in a hemispherical free field calculated per AMCA International Standard 301. Values shown are for installation type B: Free inlet hemispherical sone levels.

* the Watts rating is only for AMCA test method and it is at the static pressure of 0 inch of H₂O.

** the Watts rating is only for IEC test method and the AMCA Certified Ratings Seal does not apply to IEC test method watts.

CEILING MOUNT VENTILATION FAN

Metal Series

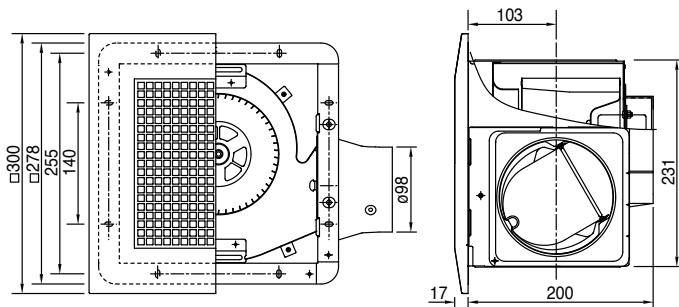
Fire
Resistant



**24CMUA
/24CMHA**

Product Dimension

UNIT: mm



- All metal structure design
- Long life ball bearing motor
- Metallic components within air stream provides extra safety against fire
- Reverse flow prevention shutter



KDK Company, Division of PES and Panasonic Ecology Systems Guangdong Co., Ltd. certify that the Metal Series models shown herein are licensed to bear the AMCA Seal. The ratings shown are based on tests and procedures performed in accordance with AMCA Publication 211 and AMCA Publication 311 and comply with the requirements of the AMCA Certified Ratings Program.

Specification

Model	Voltage	Frequency	CFM / SONE AT STATIC Pressure (ps-inches of H ₂ O)								RPM	Watts*	Watts**
			inches of H ₂ O	0	0.1	0.125	0.25	0.375	0.5	0.625			
24CMUA	220V	60Hz	CFM	55	40	37	20	---	---	---	495	13	12
			Sones	0.3	0.7	0.8	1.6	---	---	---			
	240V	50Hz	CFM	55	44	41	24	---	---	---	562	14	13
			Sones	0.3	0.8	1.0	1.4	---	---	---			
24CMHA	220V	60Hz	CFM	94	85	83	72	54	---	---	681	25	23
			Sones	1.0	1.4	1.5	1.9	2.3	---	---			
	240V	50Hz	CFM	108	98	95	77	44	---	---	753	27	25
			Sones	1.4	1.8	1.9	2.1	2.2	---	---			

Performance certified is for installation type B: Free inlet, Ducted outlet. Performance ratings include the effects of an inlet grille and backdraft shutter. Speed (RPM) shown is nominal. Performance is based on actual speed of test. The sound ratings shown are loudness values in fan sones at 5 ft. (1.5m) in a hemispherical free field calculated per AMCA International Standard 301. Values shown are for installation type B: Free inlet hemispherical sone levels.

* the Watts rating is only for AMCA test method and it is at the static pressure of 0 inch of H₂O.

** the Watts rating is only for IEC test method and the AMCA Certified Ratings Seal does not apply to IEC test method watts.

CEILING MOUNT VENTILATION FAN

Metal Series



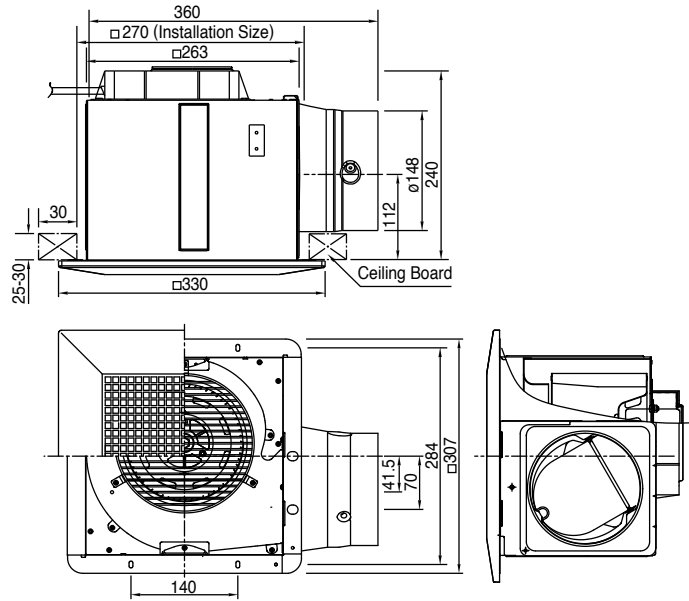
Fire
Resistant

27CMHA

- All metal structure design
- Long life ball bearing motor
- Metallic components within air stream provides extra safety against fire
- Reverse flow prevention shutter

Product Dimension

UNIT: mm



KDK Company, Division of PES and Panasonic Ecology Systems Guangdong Co., Ltd. certify that the Metal Series models shown herein are licensed to bear the AMCA Seal. The ratings shown are based on tests and procedures performed in accordance with AMCA Publication 211 and AMCA Publication 311 and comply with the requirements of the AMCA Certified Ratings Program.

Specification

Model	Voltage	Frequency	CFM / SONE AT STATIC Pressure (ps-inches of H ₂ O)								RPM	Watts*	Watts**
			inches of H ₂ O	0	0.1	0.125	0.25	0.375	0.5	0.625			
27CMHA	220V	60Hz	CFM	208	184	178	144	108	79	---	615	46	43
			Sones	1.6	1.7	1.7	2.3	3.2	3.5				
	240V	50Hz	CFM	219	194	188	150	110	70	---	669	46	43
			Sones	1.9	1.9	2.0	2.4	3.4	3.1				

Performance certified is for installation type B: Free inlet, Ducted outlet. Performance ratings include the effects of an inlet grille and backdraft shutter. Speed (RPM) shown is nominal. Performance is based on actual speed of test. The sound ratings shown are loudness values in fan sones at 5 ft. (1.5m) in a hemispherical free field calculated per AMCA International Standard 301. Values shown are for installation type B: Free inlet hemispherical sone levels.

* the Watts rating is only for AMCA test method and it is at the static pressure of 0 inch of H₂O.

** the Watts rating is only for IEC test method and the AMCA Certified Ratings Seal does not apply to IEC test method watts.

CABINET FAN

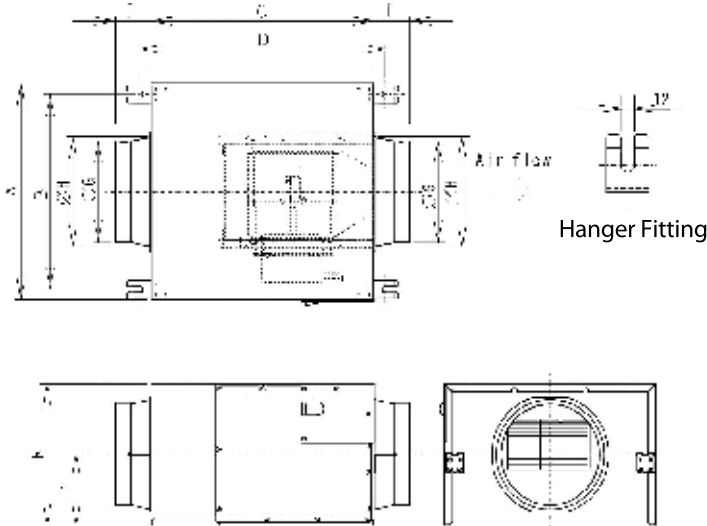
Low Noise Type – Single Phase Series



**12NSB/
15NSB**

Product Dimension

UNIT: mm



Model	A	B	C	D	E	F	G	H	I
12NSB	290	250	291	335	184	92	97	112	51
15NSB	290	250	302	346	206	103	145	163	60

- Long life condenser motor with thermal cut-off
- Twin flow fan (sirocco fan)
- Fan casing with tapered scroll
- Embedded terminal box
- Noise absorption material adopted
- Compact size



KDK Company, Division of PES and Panasonic Ecology Systems Guangdong Co., Ltd. certify that the low noise series cabinet fan models shown herein are licensed to bear the AMCA Seal. The ratings shown are based on tests and procedures performed in accordance with AMCA Publication 211 and AMCA Publication 311 and comply with the requirements of the AMCA Certified Ratings Program.

Specification

Model	Voltage	Frequency	Speed	CFM / SONE AT STATIC Pressure (ps-inches of H ₂ O)											RPM	Watts*	Watts**
				inches of H ₂ O	0	0.1	0.125	0.25	0.375	0.5	0.75	1	1.25	1.5			
12NSB	220V	60Hz	Hi	CFM	114	105	102	87	65	-					1,460	26	23
				Sones	1.5	1.4	1.4	1.3	1.4	-							
	240V	50Hz	Hi	CFM	102	90	86	67	39	-					1,342	27	22
				Sones	2.0	1.7	1.6	1.4	1.5	-							
15NSB	220V	60Hz	Hi	CFM	200	183	177	149	118	83	-				1,520	45	42
				Sones	2.7	2.5	2.4	2.3	2.2	2.0	-						
	240V	50Hz	Hi	CFM	193	177	172	139	94	20	-				1,373	47	37
				Sones	3.7	3.4	3.2	2.6	2.5	2.8	-						

Performance certified is for installation type D: Ducted inlet, Ducted outlet.

Performance ratings do not include the effects of appurtenances (accessories). Speed (RPM) shown is nominal.

Performance is based on actual speed of test. The sound ratings shown are loudness values in fan sones at 5 ft (1.5m) in a hemispherical free field calculated per AMCA International Standard 301.

Values shown are for installation Type D: ducted inlet hemispherical sone levels. Ratings do not include the effect of duct end correction.

* the Watts rating is only for AMCA test method and it is at the static pressure of 0 inch of H₂O.

** the Watts rating is only for IEC test method and the AMCA Certified Ratings Seal does not apply to IEC test method watts.

CABINET FAN

Low Noise Type – Single Phase Series

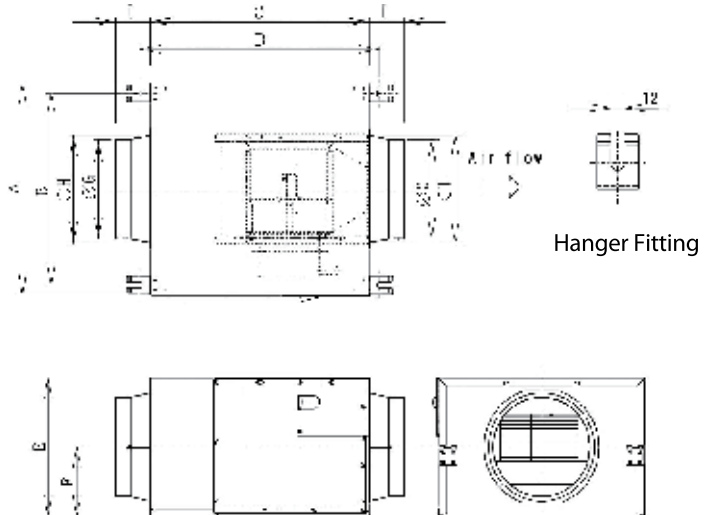


**18NSB/
18NFB**

- Long life condenser motor with thermal cut-off
- Twin flow fan (sirocco fan)
- Fan casing with tapered scroll
- Embedded terminal box
- Noise absorption material adopted
- Compact size

Product Dimension

UNIT: mm



Model	A	B	C	D	E	F	G	H	I
18NSB	316	276	338	382	232	116	145	163	60
18NFB	376	336	397	441	254	127	195	211	70



KDK Company, Division of PES and Panasonic Ecology Systems Guangdong Co., Ltd. certify that the low noise series cabinet fan models shown herein are licensed to bear the AMCA Seal. The ratings shown are based on tests and procedures performed in accordance with AMCA Publication 211 and AMCA Publication 311 and comply with the requirements of the AMCA Certified Ratings Program.

Specification

Model	Voltage	Frequency	Speed	CFM / SONE AT STATIC Pressure (ps-inches of H ₂ O)											RPM	Watts*	Watts**
				inches of H ₂ O	0	0.1	0.125	0.25	0.375	0.5	0.75	1	1.25	1.5			
18NSB	220V	60Hz	Hi	CFM	274	261	258	241	222	196	137	-			1,470	80	73
				Sones	3.3	3.1	3.0	2.9	2.7	2.6	2.7	-					
	240V	50Hz	Hi	CFM	281	263	259	232	200	163	34	-			1,342	84	68
				Sones	4.8	4.4	4.4	3.8	3.4	3.0	2.9	-					
18NFB	220V	60Hz	Hi	CFM	417	399	395	373	347	318	237	-			1,420	128	119
				Sones	4.0	3.9	3.9	3.9	3.6	3.5	3.4	-					
	240V	50Hz	Hi	CFM	429	406	400	381	344	290	78	-			1,327	135	104
				Sones	5.6	5.4	5.4	5.1	4.6	4.3	4.2	-					

Performance certified is for installation type D: Ducted inlet, Ducted outlet.

Performance ratings do not include the effects of appurtenances (accessories). Speed (RPM) shown is nominal.

Performance is based on actual speed of test. The sound ratings shown are loudness values in fan sones at 5 ft (1.5m) in a hemispherical free field calculated per AMCA International Standard 301.

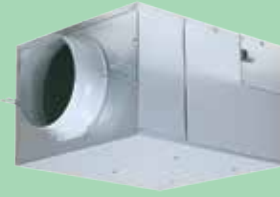
Values shown are for installation Type D: ducted inlet hemispherical sone levels. Ratings do not include the effect of duct end correction.

* the Watts rating is only for AMCA test method and it is at the static pressure of 0 inch of H₂O.

** the Watts rating is only for IEC test method and the AMCA Certified Ratings Seal does not apply to IEC test method watts.

CABINET FAN

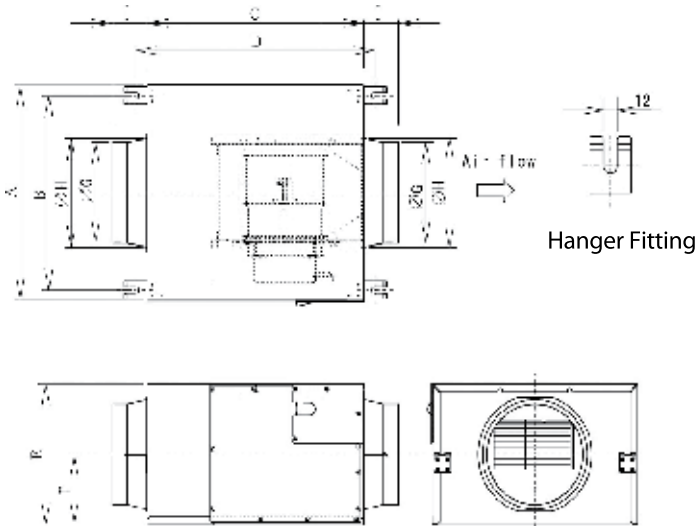
Low Noise Type – Single Phase Series



**20NSB/
23NLB**

Product Dimension

UNIT: mm



Hanger Fitting

Model	A	B	C	D	E	F	G	H	I
20NSB	416	376	441	485	272	136	195	211	70
23NLB	468	424	469	513	298	149	195	211	70

- Long life condenser motor with thermal cut-off
- Twin flow fan (sirocco fan)
- Fan casing with tapered scroll
- Embedded terminal box
- Noise absorption material adopted
- Compact size



KDK Company, Division of PES and Panasonic Ecology Systems Guangdong Co., Ltd. certify that the low noise series cabinet fan models shown herein are licensed to bear the AMCA Seal. The ratings shown are based on tests and procedures performed in accordance with AMCA Publication 211 and AMCA Publication 311 and comply with the requirements of the AMCA Certified Ratings Program.

Specification

Model	Voltage	Frequency	Speed	CFM / SONE AT STATIC Pressure (ps-inches of H ₂ O)											RPM	Watts*	Watts**
				inches of H ₂ O	0	0.1	0.125	0.25	0.375	0.5	0.75	1	1.25	1.5			
20NSB	220V	60Hz	Hi	CFM	469	459	456	444	433	413	354	275	—	1,380	170	159	
				Sones	4.0	4.0	3.9	3.8	3.9	4.0	4.1	4.2	—				
	240V	50Hz	Hi	CFM	517	500	495	464	424	382	265	110	—	1,328	175	135	
				Sones	6.0	5.8	5.8	5.4	5.1	4.8	4.5	4.5	—				
23NLB	220V	60Hz	Hi	CFM	655	642	640	625	611	597	555	505	440	—	1,400	350	310
				Sones	6.0	6.0	5.9	5.9	5.7	5.7	5.8	5.8	5.8	—			
	240V	50Hz	Hi	CFM	688	670	664	642	614	579	493	388	199	—	1,342	347	260
				Sones	8.8	8.6	8.4	8.1	8.0	7.6	7.2	6.7	6.6	—			

Performance certified is for installation type D: Ducted inlet, Ducted outlet.

Performance ratings do not include the effects of appurtenances (accessories). Speed (RPM) shown is nominal.

Performance is based on actual speed of test. The sound ratings shown are loudness values in fan zones at 5 ft (1.5m) in a hemispherical free field calculated per AMCA International Standard 301.

Values shown are for installation Type D: ducted inlet hemispherical sone levels. Ratings do not include the effect of duct end correction.

* the Watts rating is only for AMCA test method and it is at the static pressure of 0 inch of H₂O.

** the Watts rating is only for IEC test method and the AMCA Certified Ratings Seal does not apply to IEC test method watts.

CABINET FAN

Low Noise Type – Single Phase Series

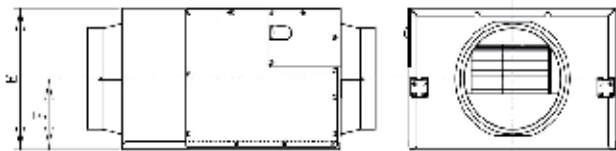
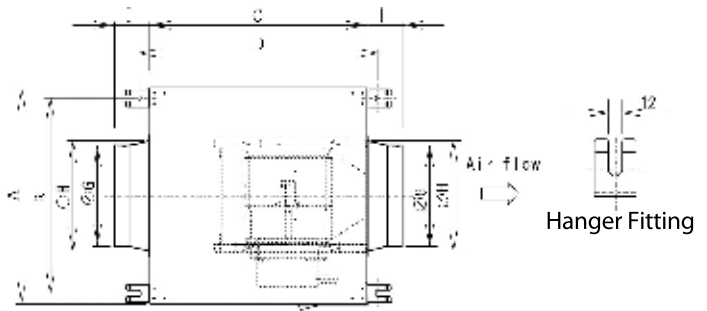


**25NSB/
25NFB**

- Long life condenser motor with thermal cut-off
- Twin flow fan (sirocco fan)
- Fan casing with tapered scroll
- Embedded terminal box
- Noise absorption material adopted
- Compact size

Product Dimension

UNIT: mm



Model	A	B	C	D	E	F	G	H	I
25NSB	494	450	505	549	334	167	240	255	85
25NFB	494	450	505	549	334	167	240	255	85



KDK Company, Division of PES and Panasonic Ecology Systems Guangdong Co., Ltd. certify that the low noise series cabinet fan models shown herein are licensed to bear the AMCA Seal. The ratings shown are based on tests and procedures performed in accordance with AMCA Publication 211 and AMCA Publication 311 and comply with the requirements of the AMCA Certified Ratings Program.

Specification

Model	Voltage	Frequency	Speed	CFM / SONE AT STATIC Pressure (ps-inches of H ₂ O)											RPM	Watts*	Watts**
				inches of H ₂ O	0	0.1	0.125	0.25	0.375	0.5	0.75	1	1.25	1.5			
25NSB	220V	60Hz	Hi	CFM	940	924	919	899	877	857	790	710	610	502	1,380	460	425
				Sones	7.1	7.1	7.1	7.0	6.8	6.8	6.7	6.7	6.7	6.9			
	240V	50Hz	Hi	CFM	963	938	935	906	868	822	719	567	395	-	1,305	481	370
				Sones	10.1	9.8	9.7	9.3	9.2	8.8	8.0	7.5	8.2				
25NFB	220V	60Hz	Hi	CFM	1,016	1,000	995	975	954	933	875	803	710	590	1,420	680	520
				Sones	8.2	8.2	8.2	8.2	7.9	7.9	7.8	7.6	7.5	7.5			
	240V	50Hz	Hi	CFM	1,057	1,048	1,040	1,010	972	922	811	660	473	-	1,330	537	430
				Sones	12.1	11.9	11.5	11.1	10.6	9.8	8.7	8.7	10.3				

Performance certified is for installation type D: Ducted inlet, Ducted outlet.
 Performance ratings do not include the effects of appurtenances (accessories). Speed (RPM) shown is nominal.
 Performance is based on actual speed of test. The sound ratings shown are loudness values in fan sones at 5 ft (1.5m) in a hemispherical free field calculated per AMCA International Standard 301.
 Values shown are for installation Type D: ducted inlet hemispherical sone levels. Ratings do not include the effect of duct end correction.
 * the Watts rating is only for AMCA test method and it is at the static pressure of 0 inch of H₂O.
 ** the Watts rating is only for IEC test method and the AMCA Certified Ratings Seal does not apply to IEC test method watts.

CABINET FAN

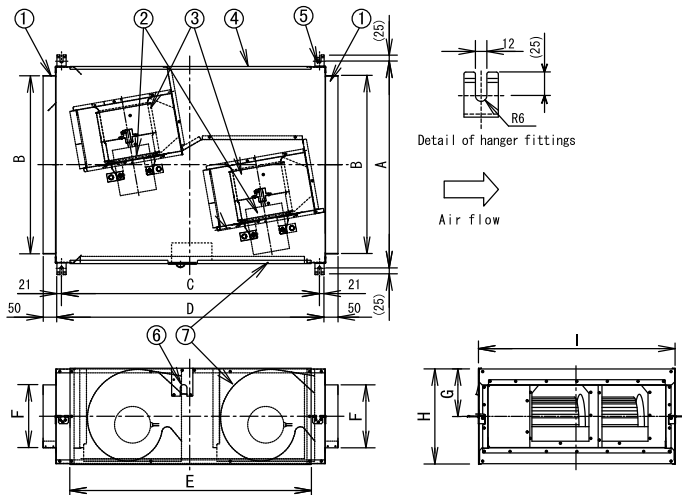
Low Noise Type - Three Phase Series



25SWC/ 25SMC

Product Dimension

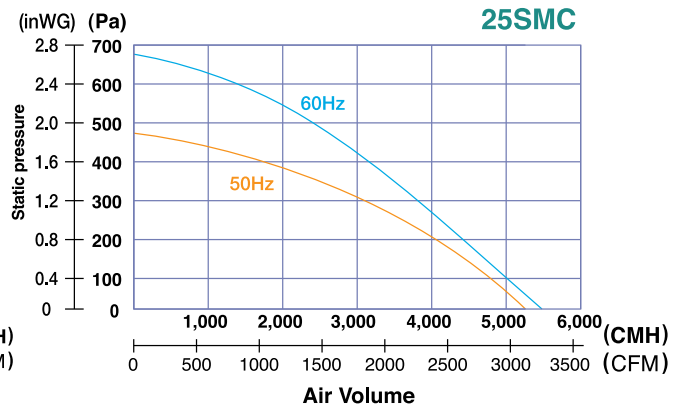
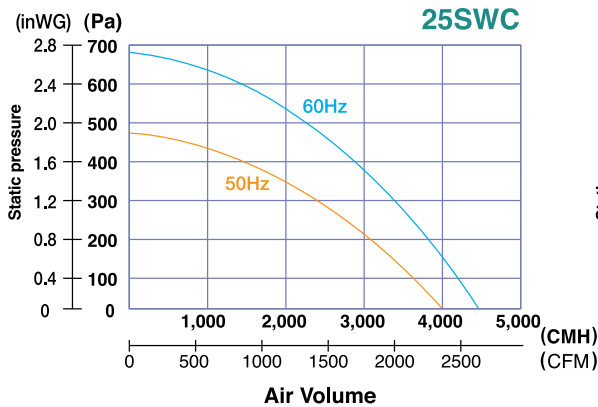
UNIT: mm



Model	A	B	C	D	E	F	G	H	I
25SWC	809	496	1,010	1,052	942	246	185	370	766
25SMC	809	696	1,010	1,052	942	246	185	370	766

- Long life condenser motor with thermal cut-off
- Twin flow fan (sirocco fan)
- Fan casing with tapered scroll
- Embedded terminal box
- Noise absorption material adopted
- Compact size

Performance Data [380V 50/60Hz]



Specification

Model No.	Phase	Voltage [V]	Frequency [Hz]	Consumption [W]	RPM [min ⁻¹]	Air Volume		Noise [dB(A)]	Weight [kg]	Duct Size [mm]	Impeller Diameter [mm]
						[CMH]	[CFM]				
25SWC	3	380	50	940	1,375	4,000	2,354	43	60	250 x 500	250
			60	1,450	1,530	4,500	2,648	45			
25SMC	3	380	50	1,180	1,345	5,200	3,060	45	60	250 x 700	250
			60	1,750	1,470	5,500	3,237	46			

Note: The value in specification tables are representative characteristic value at 380V 50/60Hz
RPM data is for reference only. Values may vary subject to different conditions.

CABINET FAN

Low Noise Type - Three Phase Series

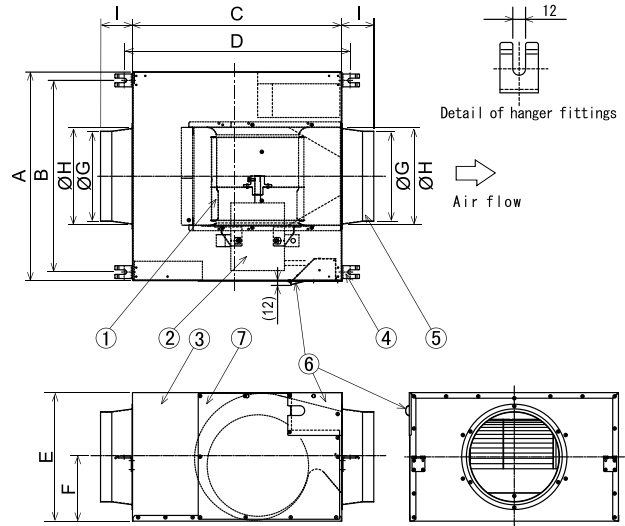


28NXC

- Long life condenser motor with thermal cut-off
- Twin flow fan (sirocco fan)
- Fan casing with tapered scroll
- Embedded terminal box
- Noise absorption material adopted
- Compact size

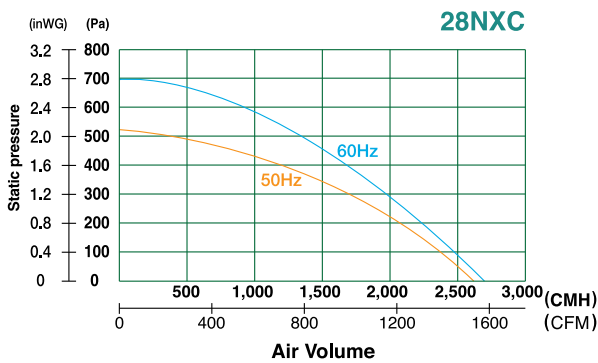
Product Dimension

UNIT: mm



Model	A	B	C	D	E	F	G	H	I
28NXC	554	510	557	601	342	171	240	255	85

Performance Data [380V 50/60Hz]



Specification

Model No.	Phase	Voltage [V]	Frequency [Hz]	Consumption [W]	RPM [min ⁻¹]	Air Volume		Noise [dB(A)]	Weight [kg]	Duct Size [mm]	Impeller Diameter [mm]
						[CMH]	[CFM]				
28NXC	3	380	50	600	1,295	2,600	1,530	44	28	ø250	280
			60	840	1,380	2,650	1,560	45			

Note: The value in specification tables are representative characteristic value at 380V 50/60Hz
RPM data is for reference only. Values may vary subject to different conditions.

INDUSTRIAL VENTILATION FAN

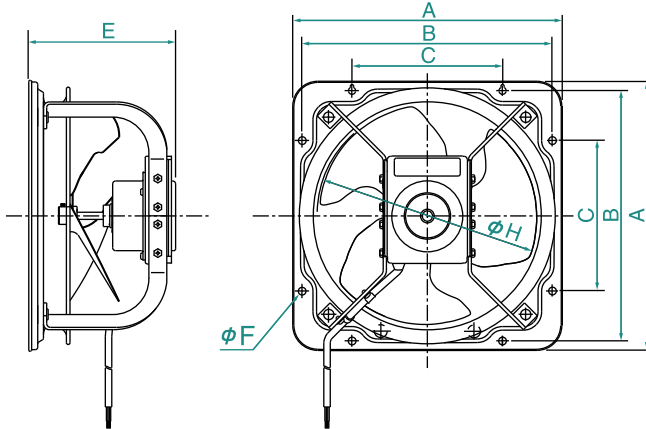
High Pressure Series



**25GSE/30GSE/
35GSE**

Product Dimension

UNIT: mm



Model	A	B	C	D	E	F	G	H
25GSE	327	298	165	-	171	10	-	250
30GSE	378	349	210	-	200	10	-	300
35GSE	467	434	250	-	236	12	-	350



KDK Company, Division of PES and Panasonic Ecology Systems Guangdong Co., Ltd. certify that the industrial series models shown herein are licensed to bear the AMCA Seal. The ratings shown are based on tests and procedures performed in accordance with AMCA Publication 211 and AMCA Publication 311 and comply with the requirements of the AMCA Certified Ratings Program.

- Single phase
- Reversible by adjusting wiring and blade
- Bell mouth construction with distinctive wave-shaped blade
- Durable powder coating
- High performance motor with thermal cutoff
- Ambient temperature range from -10°C to +50°C
- Possible to install horizontally or vertically
- Optional Shutter available

Specification

Model	Voltage	Frequency	CFM/SONE AT STATIC Pressure (ps-inches of H ₂ O)								RPM	Watts*	Watts**
			inches of H ₂ O	0	0.05	0.075	0.1	0.125	0.25	0.375			
25GSE	220V	60Hz	CFM	788	742	715	686	647	-	-	1570	61	57
			Sones	4.9	4.7	4.5	4.5	4.6	-	-			
	240V	50Hz	CFM	701	657	633	600	565	187	-	1400	48	44
			Sones	3.8	3.6	3.6	3.5	3.6	8.6	-			
30GSE	220V	60Hz	CFM	1308	1247	1217	1184	1153	772	-	1460	129	119
			Sones	9.0	9.0	9.1	9.0	9.1	9.4	-			
	240V	50Hz	CFM	1177	1119	1090	1058	1026	561	243	1315	106	98
			Sones	5.5	5.5	5.6	5.6	5.8	11.1	12.0			
35GSE	220V	60Hz	CFM	1850	1788	1752	1712	1669	1456	600	1640	178	161
			Sones	11.9	11.6	12.0	12.4	13.6	14.6	13.4			
	240V	50Hz	CFM	1615	1548	1506	1458	1411	1147	390	1435	130	122
			Sones	8.6	8.2	8.2	8.0	8.0	12.6	13.4			

Performance certified is for installation type A: Free Inlet, Free Outlet. Speed (RPM) shown is nominal. Performance is based on actual speed of test. The sound ratings shown are loudness values in fan sones at 5 ft. (1.5m) in a hemispherical free field calculated per AMCA International Standard 301. Values shown are for installation type A: Free Inlet hemispherical sone levels.

* the Watts rating is only for AMCA test method and it is at the static pressure of 0 inch of H₂O.

** the Watts rating is only for IEC test method and the AMCA Certified Ratings Seal does not apply to IEC test method watts.

INDUSTRIAL VENTILATION FAN

High Pressure Series

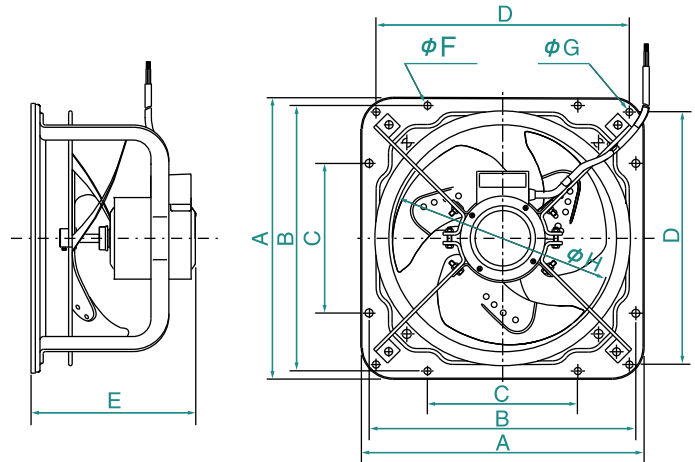


40GSE

- Single phase
- Reversible by adjusting wiring and blade
- Bell mouth construction with distinctive wave-shaped blade
- Durable powder coating
- High performance motor with thermal cutoff
- Ambient temperature range from -10°C to +50°C
- Possible to install horizontally or vertically
- Optional Shutter available

Product Dimension

UNIT: mm



Model	A	B	C	D	E	F	G	H
40GSE	518	485	280	460	274	12	12	400



KDK Company, Division of PES and Panasonic Ecology Systems Guangdong Co., Ltd. certify that the industrial series models shown herein are licensed to bear the AMCA Seal. The ratings shown are based on tests and procedures performed in accordance with AMCA Publication 211 and AMCA Publication 311 and comply with the requirements of the AMCA Certified Ratings Program.

Specification

Model	Voltage	Frequency	CFM/SONE AT STATIC Pressure (ps-inches of H ₂ O)								RPM	Watts*	Watts**
			inches of H ₂ O	0	0.05	0.075	0.1	0.125	0.25	0.375			
40GSE	220V	60Hz	CFM	2677	2581	2535	2488	2440	2170	2050	1550	294	270
			Sones	20.0	20.0	19.7	19.4	19.3	18.9	19.9			
	240V	50Hz	CFM	2135	2067	2035	2000	1965	1800	1480	1440	164	151
			Sones	9.0	8.5	8.7	8.7	8.7	13.0	14.2			

Performance certified is for installation type A: Free Inlet, Free Outlet. Speed (RPM) shown is nominal. Performance is based on actual speed of test. The sound ratings shown are loudness values in fan sones at 5 ft. (1.5m) in a hemispherical free field calculated per AMCA International Standard 301. Values shown are for installation type A: Free Inlet hemispherical sone levels.

* the Watts rating is only for AMCA test method and it is at the static pressure of 0 inch of H₂O.

** the Watts rating is only for IEC test method and the AMCA Certified Ratings Seal does not apply to IEC test method watts.

INDUSTRIAL VENTILATION FAN

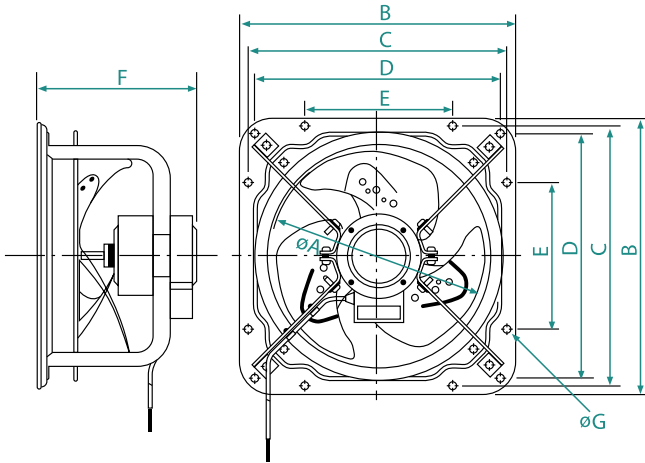
High Pressure Series



**45GSC/50GSC/
60GSC**

Product Dimension

UNIT: mm



Model	A	B	C	D	E	F	G
45GSC	450	570	540	-	320	297	12
50GSC	500	659	620	560	355	315	15
60GSC	620	760	720	650	400	320	15

- Single phase
- Reversible by adjusting wiring and blade
- Bell mouth construction with distinctive wave-shaped blade
- Durable powder coating
- High performance motor with thermal cutoff
- Ambient temperature range from -10°C to +50°C
- Possible to install horizontally or vertically
- Optional Shutter available



KDK Company, Division of PES and Panasonic Ecology Systems Guangdong Co., Ltd. certify that the industrial series models shown herein are licensed to bear the AMCA Seal. The ratings shown are based on tests and procedures performed in accordance with AMCA Publication 211 and AMCA Publication 311 and comply with the requirements of the AMCA Certified Ratings Program.

Specification

Model no.	Voltage	Frequency	CFM/SONE AT STATIC Pressure (ps-inches of H ₂ O)				RPM	Watts*	Watts**	
			inches of H ₂ O	0	0.2	0.3		0.4	FOR AMCA	FOR IEC
45GSC	220V	60Hz	CFM	3278	3131	3001	2795	1563	346	325
			Sones	10	10.4	10.6	10.8			
	240V	50Hz	CFM	2854	2648	2454	2030	1430	277	241
			Sones	7.8	7.7	7.8	9.4			
50GSC	220V	60Hz	CFM	3884	3443	3090	2501	1080	347	326
			Sones	10.9	11.3	11.5	11.8			
	240V	50Hz	CFM	3354	2854	2266	912	968	293	271
			Sones	11.7	13.8	14.5	15.4			
60GSC	220V	60Hz	CFM	5038	4349	3943	3560	1088	384	361
			Sones	10.1	9.8	9.5	10.1			
	240V	50Hz	CFM	4402	3855	3366	2972	980	289	263
			Sones	10.3	8.6	8.5	11.5			

Performance certified is for installation type A: Free Inlet, Free Outlet. The speed (RPM) and Watts rating shown are at the static pressure of 0 inch of H₂O. The sound ratings shown are loudness values in fan sones at 5 ft. (1.5m) in a hemispherical free field calculated per AMCA International Standard 301. Values shown are for installation type A: Free Inlet hemispherical sone levels.

* the Watts rating is only for AMCA test method and it is at the static pressure of 0 inch of H₂O.

** the Watts rating is only for IEC test method and the AMCA Certified Ratings Seal does not apply to IEC test method watts.

INDUSTRIAL VENTILATION FAN

High Pressure Series

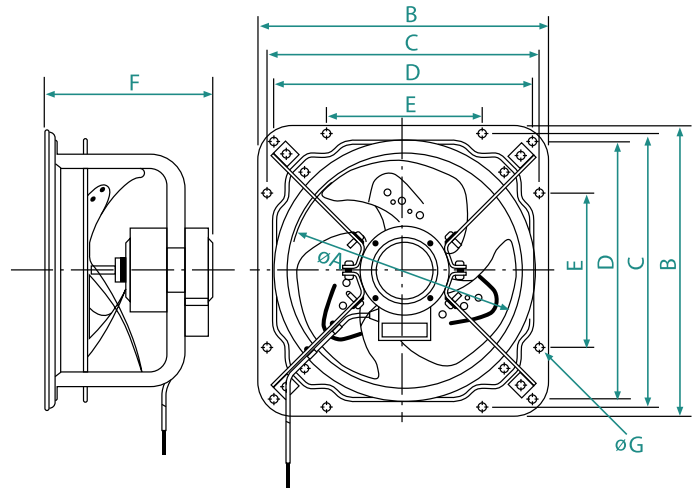


45GTC/50GTC/ 60GTC

- Three Phase
- Reversible by adjusting wiring and blade
- Bell mouth construction with distinctive wave-shaped blade
- Durable powder coating
- High performance motor with thermal cutoff
- Ambient temperature range from -10°C to +50°C
- Possible to install horizontally or vertically
- Optional Shutter available

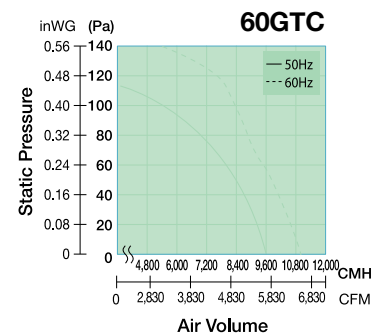
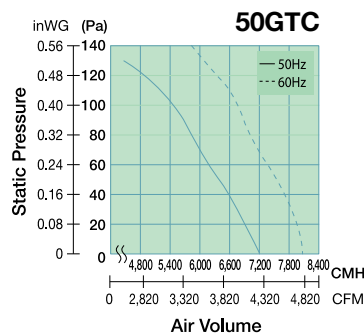
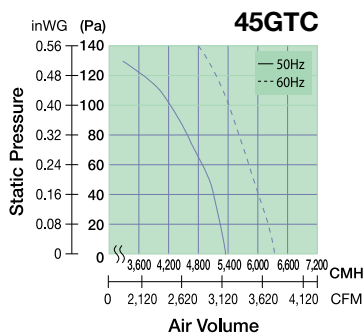
Product Dimension

UNIT: mm



Model	A	B	C	D	E	F	G
45GTC	450	570	540	-	320	297	12
50GTC	500	659	620	560	355	304	15
60GTC	620	760	720	650	400	320	15

Performance Data [380V 50/60Hz]



Specification

Model No.	Voltage [V]	Hz	Consumption [W]	RPM [min ⁻¹]	Air Volume		Noise [dB(A)]	Weight [Kg]
					[CMH]	[CFM]		
45GTC	380	50	220	1,450	5,520	3,249	52	18.5
		60	330	1,690	6,420	3,779	56	
50GTC	380	50	320	1,400	6,960	4,097	54	28.5
		60	475	1,590	8,010	4,715	58	
60GTC	380	50	310	940	9,420	5,544	49	34
		60	450	1,070	10,920	6,427	53	

Note: The value in Specification table are representative characteristic value at 380V, 50/60Hz. RPM data is for reference only. Values may vary subject to different conditions.

INDUSTRIAL VENTILATION FAN

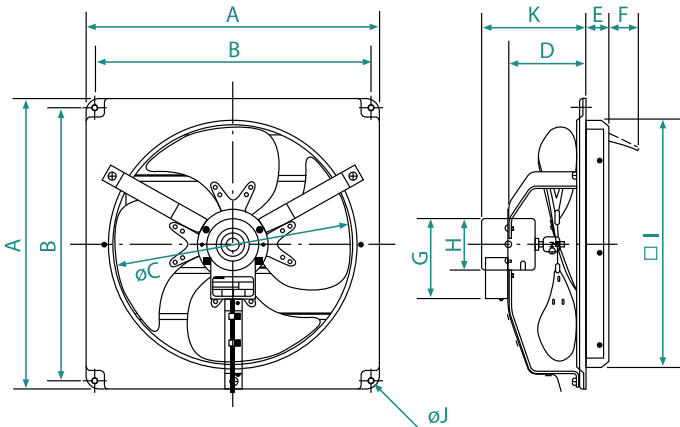
Shutter Series



**30KQT/
40KQT**

Product Dimension

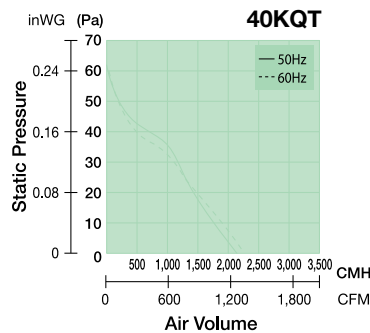
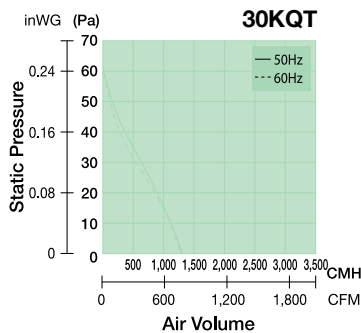
UNIT: mm



Model	A	B	C	D	E	F	G	H	I	J	K
30KQT	420	385	305	116	34	40	141	90	340	10	164
40KQT	510	480	410	133	40	52	141	90	434	10	181

- Used in factories, warehouses or other locations in where powerful ventilation is necessary
- Metal large blade assembly for abundant air volume
- Powerful, efficient and durable condenser motor
- Ambient temperature range from -10°C to +50°C

Performance Data [220V 50Hz/60Hz]



Specification

Model No.	Voltage [V]	Frequency [Hz]	Consumption [W]	RPM [min ⁻¹]	Air Volume		Noise [dB(A)]	Weight [Kg]
					[CMH]	[CFM]		
30KQT	220	50	42	1,185	1,220	718	46	4.9
		60	51	1,255	1,270	747	47	
40KQT	220	50	61	1,175	2,060	1,212	49	6.4
		60	76	1,260	2,190	1,289	51	

Note: The value in Specification table are representative characteristic value at 220V, 50/60Hz. RPM data is for reference only. Values may vary subject to different conditions.

INDUSTRIAL VENTILATION FAN

Shutter Series

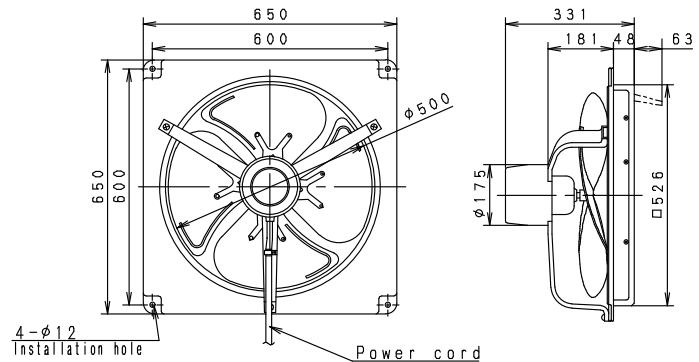


50AEQ2

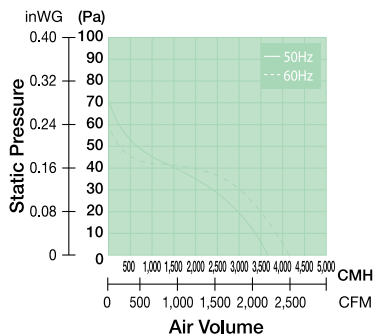
- Used in factories, warehouses or other locations in where powerful ventilation is necessary
- Metal large blade assembly for abundant air volume
- Powerful, efficient and durable condenser motor
- Ambient temperature range from -10°C to +50°C

Product Dimension

UNIT: mm



Performance Data [220V 50Hz/60Hz]



Specification

Model No.	Voltage [V]	Frequency [Hz]	Consumption [W]	RPM [min ⁻¹]	Air Volume		Noise [dB(A)]	Weight [Kg]
					[CMH]	[CFM]		
50AEQ2	220	50	108	920	3,630	2,137	54	11.5
		60	130	1,050	4,200	2,472	58	

Note: The value in Specification table are representative characteristic value at 220V, 50/60Hz. RPM data is for reference only. Values may vary subject to different conditions.

WALL MOUNT VENTILATION FAN

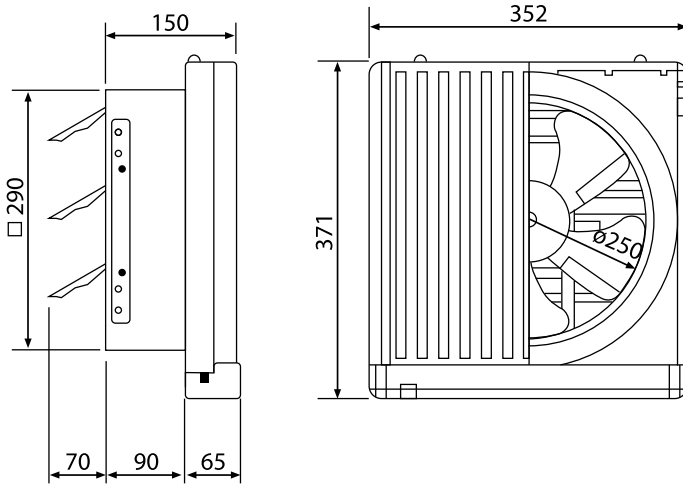
Filter Series



25AUFA

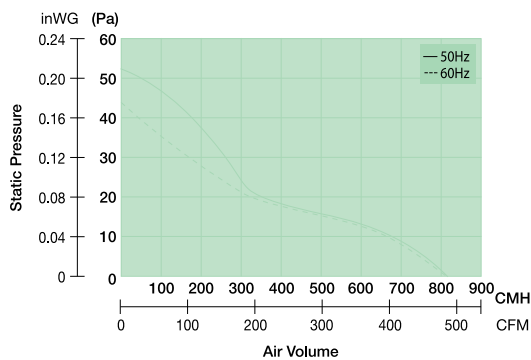
Product Dimension

UNIT: mm



- Recommend to use in kitchen
- Automatic Shutter
- Perforated aluminum filter with hydrophobic coating
- Large capacity oil cup
- Oil indicator on oil cup
- High exhaust air volume under actual usage condition (20Pa)

Performance Data [220V 50Hz/60Hz]



Specification

Model No.	Voltage [V]	Frequency [Hz]	Consumption [W]	RPM [min ⁻¹]	Air Volume		Noise [dB(A)]	Weight [Kg]	Installation space [mm]
					[CMH]	[CFM]			
25AUFA	220	50	34	1,100	835	491	42	2.8	300 x 300
		60	34	1,060	820	483	42		

Note: The value in Specification table are representative characteristic value at 220V, 50/60Hz
RPM data is for reference only. Values may vary subject to different conditions.

WALL MOUNT VENTILATION FAN

Automatic Shutter Series

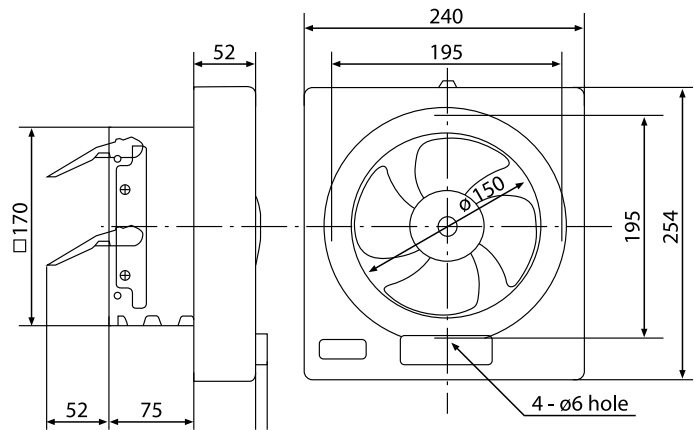


15AAQ1

- Condenser motor with thermal cutoff
- Lubricated sintered bush for long life operation
- High performance propeller fan adopted
- Automatic shutter with plastic cushions
- Orifice equipped with oil cup

Product Dimension

UNIT: mm



KDK Company, Division of PES and Panasonic Ecology Systems Guangdong Co., Ltd. certify that the wall mount series models shown herein are licensed to bear the AMCA Seal. The ratings shown are based on tests and procedures performed in accordance with AMCA Publication 211 and AMCA Publication 311 and comply with the requirements of the AMCA Certified Ratings Program.

Specification

Model	Voltage	Frequency	CFM/SONE AT STATIC Pressure (ps-inches of H2O)				RPM	Watts*	Watts**
			inches of H2O	0	0.025	0.05		FOR AMCA	FOR IEC
15AAQ1	220V	50Hz	CFM Sones	157 2.5	122 1.9	65 2.3	1533	20.6	19.0
	240V	60Hz	CFM Sones	154 1.7	120 1.4	63 2.1	1453	20.1	19.0

Performance certified is for installation type A: Free inlet, Free outlet. Performance ratings include the effects of a backdraft shutter. The speed (RPM) and Watts rating shown are at the static pressure of 0 inch of H₂O. Speed (RPM) shown in nominal. Performance is based on actual speed of test. The sound ratings shown are loudness values in fan sones at 5 ft. (1.5m) in a hemispherical free field calculated per AMCA International Standard 301. Values shown are for installation type A: Free inlet hemispherical sone levels.

*the Watts rating is only for AMCA test method and it is at the static pressure of 0 inch of H₂O.

**the Watts rating is only for IEC test method and the AMCA Certified Ratings Seal does not apply to IEC test method watts.

WALL MOUNT VENTILATION FAN

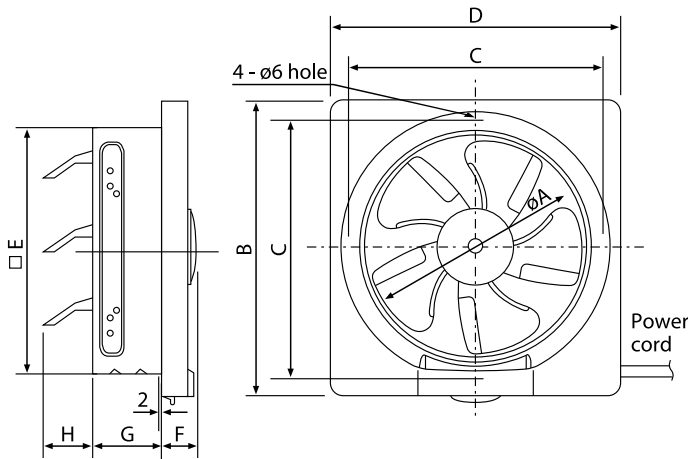
Automatic Shutter Series



**20AUH/25AUH/
30AUH 11**

Product Dimension

UNIT: mm



Model	A	B	C	D	E	F	G	H
20AUH	200	306	260	302	240	52	90	80
25AUH	250	356	310	352	290	38	90	63
30AUH 11	300	406	360	402	340	38	90	78

- HP condenser motor with thermal cutoff
- Well lubricated bearing for long life operation
- Propeller fan incorporated with advanced blade design (except 30AUH 11)
- Automatic shutter
- Single speed



KDK Company, Division of PES and Panasonic Ecology Systems Guangdong Co., Ltd. certify that the wall mount series models shown herein are licensed to bear the AMCA Seal. The ratings shown are based on tests and procedures performed in accordance with AMCA Publication 211 and AMCA Publication 311 and comply with the requirements of the AMCA Certified Ratings Program.

Specification

Model	Voltage	Frequency	CFM/SONE AT STATIC Pressure (ps-inches of H ₂ O)				RPM	Watts*	Watts**
			inches of H ₂ O	0	0.025	0.05		FOR AMCA	FOR IEC
20AUH	220V	60Hz	CFM Sones	355 2.5	314 2.5	196 1.7	1410	32.4	28.5
25AUH	220V	60Hz	CFM Sones	514 1.8	426 1.5	290 1.8	1200	37.8	33.0
30AUH 11	220V	60Hz	CFM Sones	572 1.0	453 1.7	235 2.6	856	37.0	33.0

Performance certified is for installation type A: Free inlet, Free outlet. Performance ratings include the effects of a backdraft shutter. The speed (RPM) and Watts rating shown are at the static pressure of 0 inch of H₂O. The sound ratings shown are loudness values in fan sones at 5 ft. (1.5m) in a hemispherical free field calculated per AMCA International Standard 301. Values shown are for installation type A: Free inlet hemispherical sone levels.

*the Watts rating is only for AMCA test method and it is at the static pressure of 0 inch of H₂O.

**the Watts rating is only for IEC test method and the AMCA Certified Ratings Seal does not apply to IEC test method watts.

WALL MOUNT VENTILATION FAN

Automatic Shutter Series

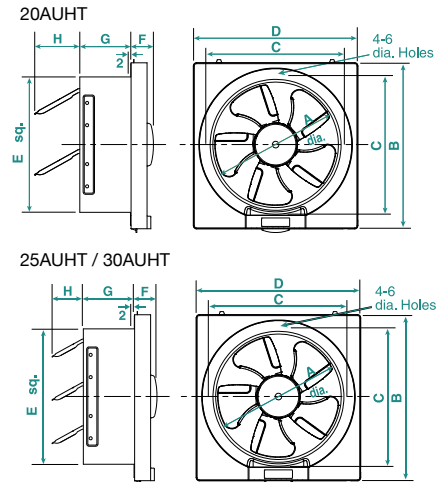


**20AUHT/
25AUHT/
30AUHT**

- HP condenser motor with thermal cutoff
- Well lubricated bearing for long life operation
- Propeller fan incorporated with advanced blade design (except 30AUHT)
- Automatic shutter
- Single speed

Product Dimension

UNIT: mm



Model	A	B	C	D	E	F	G	H
20AUHT	200	306	260	302	240	52	90	80
25AUHT	250	356	310	352	290	38	90	63
30AUHT	300	406	360	402	340	38	90	78



KDK Company, Division of PES and Panasonic Ecology Systems (Thailand) Co., Ltd. certify that the wall mount series models shown herein are licensed to bear the AMCA Seal. The ratings shown are based on tests and procedures performed in accordance with AMCA Publication 211 and AMCA Publication 311 and comply with the requirements of the AMCA Certified Ratings Program.

Specification

Model	Voltage	Frequency	CFM/SONE AT STATIC Pressure (ps-inches of H ₂ O)				RPM	Watts*	Watts**	
			inches of H ₂ O	0	0.02	0.04		0.06	FOR AMCA	FOR IEC
20AUHT	220V	60Hz	CFM	356	315	271	227	1343	24.5	22
			Sones	2.3	2.4	1.8	2.8			
20AUHT	240V	50Hz	CFM	338	294	253	171	1234	23.5	21.5
			Sones	2.1	2.4	2	3.5			
25AUHT	220V	60Hz	CFM	515	421	330	227	1113	34.3	31
			Sones	2.5	2.3	1.9	3			
25AUHT	240V	50Hz	CFM	527	465	400	347	1143	35.2	32
			Sones	5.8	5.6	5.2	4.8			
30AUHT	220V	60Hz	CFM	586	486	335	174	874	40.4	38
			Sones	2.2	2.2	4.1	2.4			
30AUHT	240V	50Hz	CFM	624	565	491	312	935	41.5	39
			Sones	3.7	3.6	3.6	4.1			

Performance certified is for installation type A: Free inlet, Free outlet. Performance ratings include the effects of a backdraft shutter. The speed (RPM) and Watts rating shown are at the static pressure of 0 inch of H₂O. The sound ratings shown are loudness values in fan sones at 5 ft. (1.5m) in a hemispherical free field calculated per AMCA International Standard 301. Values shown are for installation type A: Free inlet hemispherical sone levels.

* the Watts rating is only for AMCA test method and it is at the static pressure of 0 inch of H₂O.

** the Watts rating is only for IEC test method and the AMCA Certified Ratings Seal does not apply to IEC test method watts.

WALL MOUNT VENTILATION FAN

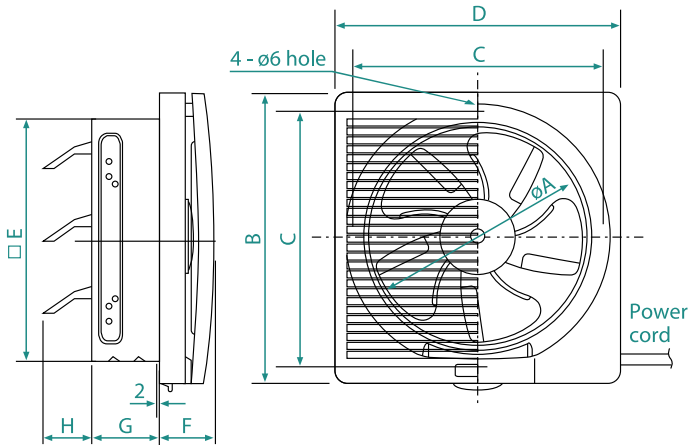
Automatic Shutter Louver Series



**20ALH/25ALH/
30ALF 11**

Product Dimension

UNIT: mm



Model	A	B	C	D	E	F	G	H
20ALH	200	306	260	302	240	68	90	80
25ALH	250	356	310	352	290	63	90	63
30ALF 11	300	406	360	402	340	63	90	78

- HP condenser motor with thermal cutoff
- Well lubricated bearing for long life operation
- Propeller fan incorporated with advanced blade design (except 30ALF 11)
- Automatic shutter
- Single speed



KDK Company, Division of PES and Panasonic Ecology Systems Guangdong Co., Ltd. certify that the wall mount series models shown herein are licensed to bear the AMCA Seal. The ratings shown are based on tests and procedures performed in accordance with AMCA Publication 211 and AMCA Publication 311 and comply with the requirements of the AMCA Certified Ratings Program.

Specification

Model	Voltage	Frequency	CFM/SONE AT STATIC Pressure (ps-inches of H ₂ O)				RPM	Watts*	Watts**
			inches of H ₂ O	0	0.025	0.05		FOR AMCA	FOR IEC
20ALH	220V	60Hz	CFM Sones	328 3.5	280 3.2	170 3.4	1385	32.8	28.5
25ALH	220V	60Hz	CFM Sones	420 2.7	372 2.7	232 4.6	1097	37.5	33.0
30ALF 11	220V	60Hz	CFM Sones	447 2.0	288 2.7	154 2.2	746	37.1	33.0

Performance certified is for installation type A: Free inlet, Free outlet. Performance ratings include the effects of an inlet grill and backdraft shutter. The speed (RPM) and Watts rating shown are at the static pressure of 0 inch of H₂O. The sound ratings shown are loudness values in fan sones at 5 ft. (1.5m) in a hemispherical free field calculated per AMCA International Standard 301. Values shown are for installation type A: Free inlet hemispherical sone levels.

*the Watts rating is only for AMCA test method and it is at the static pressure of 0 inch of H₂O.

**the Watts rating is only for IEC test method and the AMCA Certified Ratings Seal does not apply to IEC test method watts.

WALL MOUNT VENTILATION FAN

Automatic Shutter Louver Series

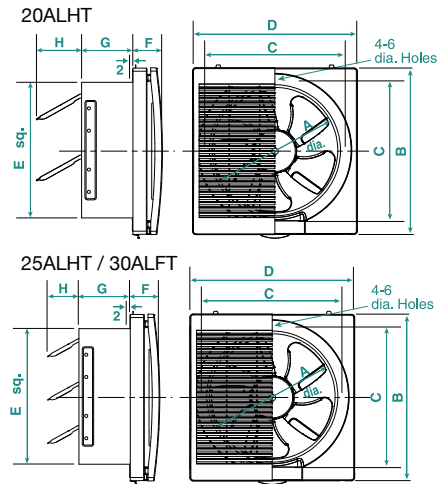


**20ALHT/
25ALHT/
30ALFT**

- HP condenser motor with thermal cutoff
- Well lubricated bearing for long life operation
- Propeller fan incorporated with advanced blade design (except 30ALFT)
- Automatic shutter
- Single speed

Product Dimension

UNIT: mm



Model	A	B	C	D	E	F	G	H
20ALHT	200	306	260	302	240	68	90	80
25ALHT	250	356	310	352	290	63	90	63
30ALFT	300	406	360	402	340	63	90	78



KDK Company, Division of PES and Panasonic Ecology Systems (Thailand) Co., Ltd. certify that the wall mount series models shown herein are licensed to bear the AMCA Seal. The ratings shown are based on tests and procedures performed in accordance with AMCA Publication 211 and AMCA Publication 311 and comply with the requirements of the AMCA Certified Ratings Program.

Specification

Model	Voltage	Frequency	CFM/SONE AT STATIC Pressure (ps-inches of H ₂ O)				RPM	Watts*	Watts**	
			inches of H ₂ O	0	0.02	0.04		0.06	FOR AMCA	FOR IEC
20ALHT	220V	60Hz	CFM	327	294	256	162	1277	24.2	22
		240V	50Hz	Sones	2.8	2.7	4.3			
25ALHT	220V	60Hz	CFM	300	274	234	141	1228	23.5	21.5
		240V	50Hz	Sones	2.6	2.5	3.8			
25ALHT	220V	60Hz	CFM	465	409	350	250	1116	40	36
		240V	50Hz	Sones	3.5	3.2	3			
30ALFT	220V	60Hz	CFM	468	418	371	327	1152	35.2	32
		240V	50Hz	Sones	5.5	5.9	5			
30ALFT	220V	60Hz	CFM	503	374	230	119	833	42	38
		240V	50Hz	Sones	2.6	3	3.1			
30ALFT	220V	60Hz	CFM	571	494	406	247	921	44.3	40
		240V	50Hz	Sones	3.8	3.7	5.1			

Performance certified is for installation type A: Free inlet, Free outlet. Performance ratings include the effects of an inlet grill and backdraft shutter. The speed (RPM) and Watts rating shown are at the static pressure of 0 inch of H₂O. The sound ratings shown are loudness values in fan sones at 5 ft. (1.5m) in a hemispherical free field calculated per AMCA International Standard 301. Values shown are for installation type A: Free inlet hemispherical sone levels.

* the Watts rating is only for AMCA test method and it is at the static pressure of 0 inch of H₂O.

** the Watts rating is only for IEC test method and the AMCA Certified Ratings Seal does not apply to IEC test method watts.

WALL MOUNT VENTILATION FAN

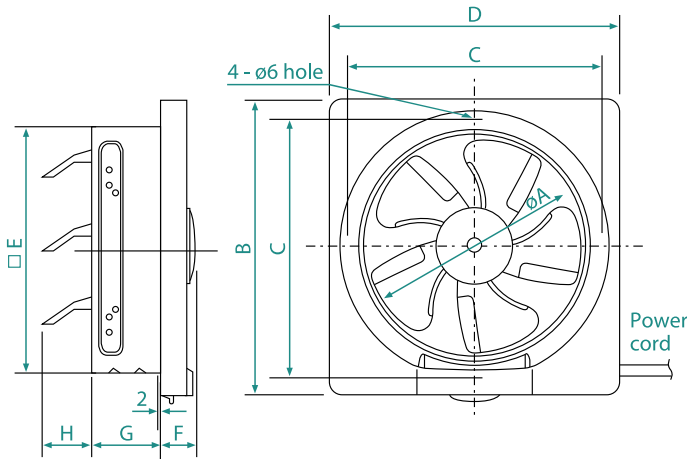
Reversible Series



**20RGF/25RGF/
30RGF**

Product Dimension

UNIT: mm



Model	A	B	C	D	E	F	G	H
20RGF	200	306	260	302	240	52	90	80
25RGF	250	356	310	352	290	38	90	63
30RGF	300	406	360	402	340	38	90	78

- Reversible
- On-off and reverse operated by pull cord switch
- HP condenser motor with thermal cut-off
- Well lubricated bearing for long life operation
- Propeller fan incorporated with advanced blade design (except 30RGF)
- Shutter operated by pull cord

Specification

Model No.		Voltage [V]	Frequency [Hz]	Consumption [W]	RPM [min ⁻¹]	Air Volume		Noise [dB(A)]	Weight [kg]	Installation space [mm]
						[CMH]	[CFM]			
20RGF	Exhaust	220	50	20	1,290	580	341	36	2.2	250 x 250
			60	25	1,440	650	383	39		
	Intake		50	16	1,100	405	238	46		
			60	17	1,170	355	209	48		
25RGF	Exhaust	220	50	29	1,120	945	556	38	2.4	300 x 300
			60	34	1,145	950	559	39		
	Intake		50	20	900	640	377	45		
			60	24	995	645	380	44		
30RGF	Exhaust	220	50	31	990	1,165	686	39	2.8	350 x 350
			60	33	995	1,150	677	38		
	Intake		50	24	905	800	471	43		
			60	24	810	745	428	42		

Note: The value in Specification table are representative characteristic value at 220V, 50/60Hz
RPM data is for reference only. Values may vary subject to different conditions.

WALL MOUNT VENTILATION FAN

Reversible Series

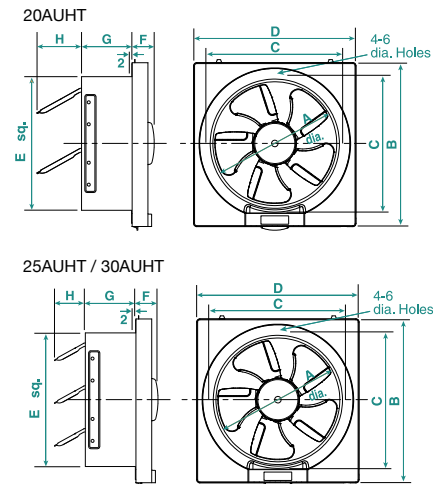


**20RGFT/25RGFT/
30RGFT**

- Reversible
- On-off and reverse operated by pull cord switch
- HP condenser motor with thermal cut-off
- Well lubricated bearing for long life operation
- Propeller fan incorporated with advanced blade design (except 30RGFT)
- Shutter operated by pull cord

Product Dimension

UNIT: mm



Model	A	B	C	D	E	F	G	H
20RGFT	200	306	260	302	240	52	90	80
25RGFT	250	356	310	352	290	38	90	63
30RGFT	300	406	360	402	340	38	90	78

Specification

Model No.		Voltage [V]	Frequency [Hz]	Consumption [W]	RPM [min ⁻¹]	Air Volume		Noise [dB(A)]	Weight [kg]	Installation space [mm]
						[CMH]	[CFM]			
20RGFT	Exhaust	220	50	20	1,260	580	341	36	2.2	250 x 250
			60	24	1,410	630	371	39		
	Intake		50	15	1,150	405	238	46		
			60	17	1,140	355	209	46		
25RGFT	Exhaust	220	50	27	1,090	945	556	38	2.4	300 x 300
			60	31	1,110	950	559	39		
	Intake		50	21	1,010	600	353	45		
			60	23	970	560	330	44		
30RGFT	Exhaust	220	50	31	885	1,165	686	39	2.8	350 x 350
			60	38	800	1,000	589	38		
	Intake		50	24	840	700	412	43		
			60	26	810	680	400	42		

Note: The value in Specification table are representative characteristic value at 220V, 50/60Hz
RPM data is for reference only. Values may vary subject to different conditions.

WALL MOUNT VENTILATION FAN

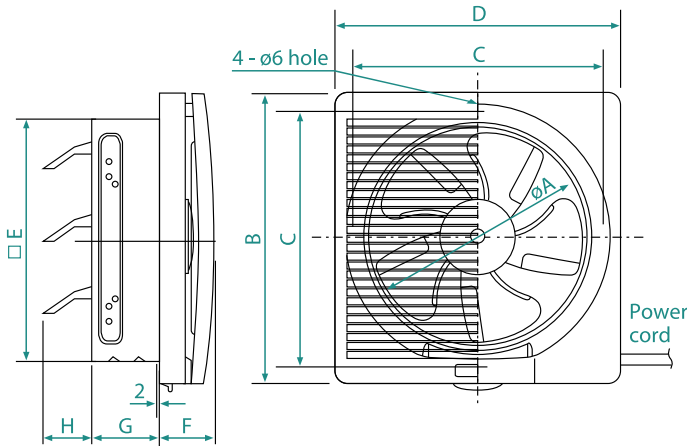
Reversible Louver Series



**20RLF/25RLF/
30RLE**

Product Dimension

UNIT: mm



Model	A	B	C	D	E	F	G	H
20RLF	200	306	260	302	240	68	90	80
25RLF	250	356	310	352	290	63	90	63
30RLE	300	406	360	402	340	63	90	78

- Reversible
- On-off and reverse operated by pull cord switch
- HP condenser motor with thermal cutoff
- Well lubricated bearing for long life operation
- Propeller fan incorporated with advanced blade design (except 30RLE)
- Shutter operated by pull cord

Specification

Model No.		Voltage [V]	Frequency [Hz]	Consumption [W]	RPM [min ⁻¹]	Air Volume		Noise [dB(A)]	Weight [kg]	Installation space [mm]
						[CMH]	[CFM]			
20RLF	Exhaust	220	50	20	1,275	546	321	39	2.4	250 x 250
			60	25	1,290	600	353	43		
	Intake		50	17	1,225	385	227	46		
			60	17	1,145	340	200	49		
25RLF	Exhaust	220	50	29	1,060	876	516	41	2.7	300 x 300
			60	34	1,060	835	491	41		
	Intake		50	20	1,020	570	335	45		
			60	24	970	573	338	43		
30RLE	Exhaust	220	50	31	876	990	583	44	3.1	350 x 350
			60	33	885	945	556	43		
	Intake		50	24	850	730	430	43		
			60	24	776	690	406	44		

Note: The value in Specification table are representative characteristic value at 220V, 50/60Hz
RPM data is for reference only. Values may vary subject to different conditions.

WALL MOUNT VENTILATION FAN

Reversible Louver Series

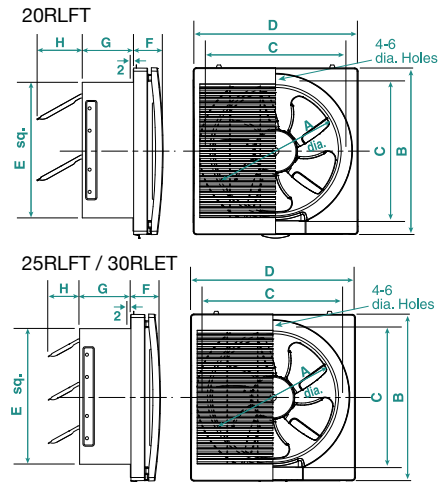


**20RLFT/25RLFT/
30RLET**

- Reversible
- On-off and reverse operated by pull cord switch
- HP condenser motor with thermal cutoff
- Well lubricated bearing for long life operation
- Propeller fan incorporated with advanced blade design (except 30RLET)
- Shutter operated by pull cord

Product Dimension

UNIT: mm



Model	A	B	C	D	E	F	G	H
20RLFT	200	306	260	302	240	68	90	80
25RLFT	250	356	310	352	290	63	90	63
30RLET	300	406	360	402	340	63	90	78

Specification

Model No.		Voltage [V]	Frequency [Hz]	Consumption [W]	RPM [min ⁻¹]	Air Volume		Noise [dB(A)]	Weight [kg]	Installation space [mm]
						[CMH]	[CFM]			
20RLFT	Exhaust	220	50	20	1,240	548	321	39	2.4	250 x 250
			60	24	1,290	570	335	43		
	Intake		50	15	1,190	370	218	46		
			60	17	1,180	340	200	46		
25RLFT	Exhaust	220	50	29	1,100	840	494	43	2.7	300 x 300
			60	33	1,100	835	491	43		
	Intake		50	21	1,035	580	341	43		
			60	23.5	1,035	560	330	44.5		
30RLET	Exhaust	220	50	31	890	990	583	44	3.1	350 x 350
			60	38	880	945	558	43		
	Intake		50	25	770	600	353	43		
			60	26	770	600	353	44		

Note: The value in Specification table are representative characteristic value at 220V, 50/60Hz
RPM data is for reference only. Values may vary subject to different conditions.

WALL MOUNT VENTILATION FAN

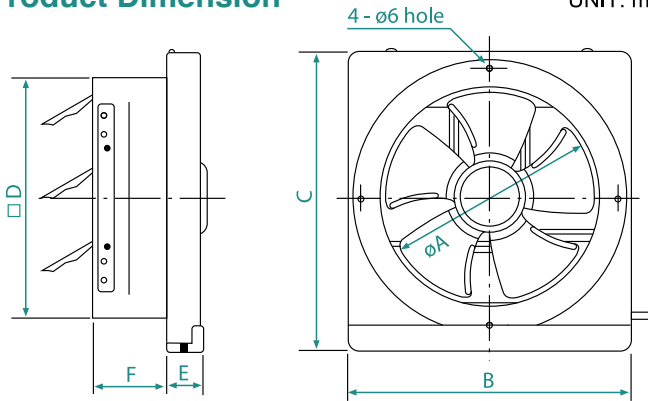
Metallic Series



**20ASB/20ASB05/
25ASB/25ASB05/
30ASB/30ASB05**

Product Dimension

UNIT: mm



Model	A	B	C	D	E	F
20ASB/20ASB 05	200	300	312	240	50	90
25ASB/25ASB 05	250	350	362	290	45	90
30ASB/30ASB 05	300	400	412	340	45	90



KDK Company, Division of PES and Panasonic Ecology Systems Guangdong Co., Ltd. certify that the wall mount series models shown herein are licensed to bear the AMCA Seal. The ratings shown are based on tests and procedures performed in accordance with AMCA Publication 211 and AMCA Publication 311 and comply with the requirements of the AMCA Certified Ratings Program.

- Condenser motor with thermal cutoff
- Well lubricated bearing for long life operation
- High performance propeller fan adopted
- Automatic shutter
- Powder painted metallic orifice, blade and oil cup
- Detachable oil cup

Specification

Model	Voltage	Frequency	CFM/SONE AT STATIC Pressure (ps-inches of H ₂ O)			RPM	Watts*	Watts**	
			inches of H ₂ O	0	0.025		0.05	FOR AMCA	FOR IEC
20ASB	220V	60Hz	CFM Sones	330 1.7	259 1.9	183 3.9	1358	25.5	21.5
	240V	50Hz	CFM Sones	296 1.5	198 1.7	151 3.2	1252	22.4	19.5
20ASB 05	240V	50Hz	CFM Sones	296 1.5	198 1.7	151 3.2	1252	22.4	19.5
25ASB	220V	60Hz	CFM Sones	522 1.9	414 1.6	240 2.2	1277	35.5	30.5
	240V	50Hz	CFM Sones	486 2.0	434 2.0	314 2.4	1194	35.1	29.5
25ASB 05	240V	50Hz	CFM Sones	486 2.0	434 2.0	314 2.4	1194	35.1	29.5
30ASB	220V	60Hz	CFM Sones	637 2.0	400 2.7	85 2.2	1088	39.8	34.5
	240V	50Hz	CFM Sones	706 2.9	620 2.3	498 2.2	1175	38.1	34
30ASB 05	240V	50Hz	CFM Sones	706 2.9	620 2.3	498 2.2	1175	38.1	34

Performance certified is for installation type A: Free inlet, Free outlet. Performance ratings include the effects of a backdraft shutter. The speed (RPM) and Watts rating shown are at the static pressure of 0 inch of H₂O. The sound ratings shown are loudness values in fan sones at 5 ft. (1.5m) in a hemispherical free field calculated per AMCA International Standard 301. Values shown are for installation type A: Free inlet hemispherical sone levels.

*the Watts rating is only for AMCA test method and it is at the static pressure of 0 inch of H₂O.

**the Watts rating is only for IEC test method and the AMCA Certified Ratings Seal does not apply to IEC test method watts.

WINDOW MOUNT VENTILATION FAN

High Pressure Deluxe Series

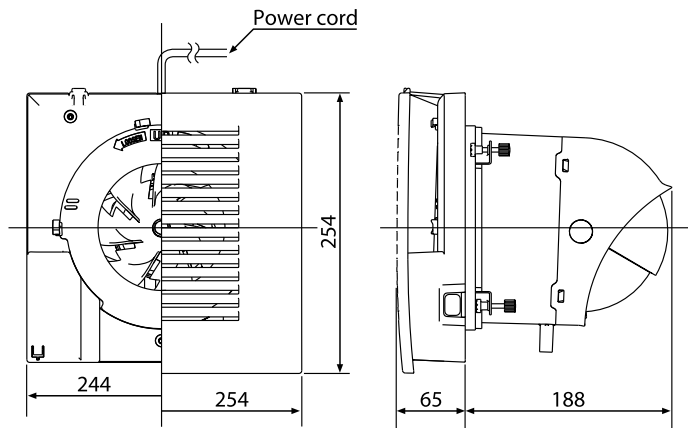


15WJA

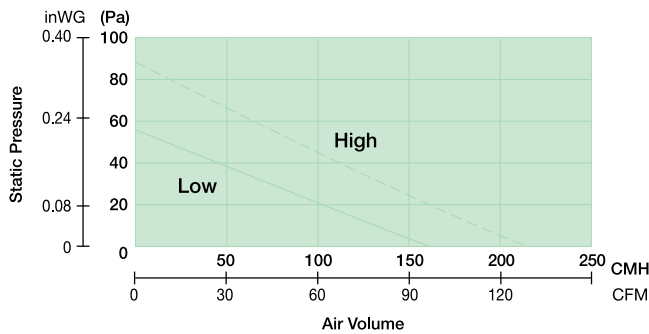
- Rain proof and wind resistance
- Condenser motor with thermal cutoff
- Well lubricated bearing for long life operation
- Highly efficient axial fan adopted
- Electrically operated shutter with dome shaped hood
- Integral rocker switch for speed selectable

Product Dimension

UNIT: mm



Performance Data [220V 50Hz/60Hz]



Specification

Model No.	Voltage [V]	Frequency [Hz]		Consumption [W]	RPM [min ⁻¹]	Air Volume		Noise [dB(A)]	Weight [Kg]	Installation Size [mm]
						[CMH]	[CFM]			
15WJA	220	50	Hi	22	1,878	205	121	46	2.4	ø 186 - ø 190
			Lo	19	1,325	145	85	36		
		60	Hi	27	2,012	220	129	48		
			Lo	20	1,394	153	90	38		

Note: The value in Specification table are representative characteristic value at 220V, 50/60Hz
RPM data is for reference only. Values may vary subject to different conditions.

WINDOW MOUNT VENTILATION FAN

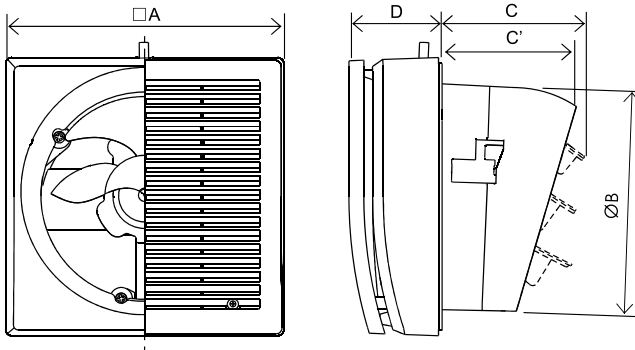
Electric Shutter Series



**15WHCT/
20WHCT**

Product Dimension

UNIT: mm



Model	A	B	C	C'	D
15WHCT	224	182	117	111	72
20WHCT	288	243	120	117	74

- Electrically Operated Shutter
- Advance design hood structure to prevent from rain and wind.
- Suitable for thickness of 3mm to 25mm
- Simple and Easy installation, no need of any silicon seal or gasket



KDK Company, Division of PES and Panasonic Ecology Systems (Thailand) Co., Ltd. certify that the window mount series models shown herein are licensed to bear the AMCA Seal. The ratings shown are based on tests and procedures performed in accordance with AMCA Publication 211 and AMCA Publication 311 and comply with the requirements of the AMCA Certified Ratings Program.

Specification

Model	Voltage	Frequency	CFM/SONE AT STATIC Pressure (ps-inches of H ₂ O)				RPM	Watts*	Watts**	
			inches of H ₂ O	0	0.05	0.1		0.15	FOR AMCA	FOR IEC
15WHCT	220V	60Hz	CFM	127	94	63	31	2440	14.6	13
	Sones	3.0	3.6	3.5	3.9					
20WHCT	240V	50Hz	CFM	127	95	68	50	2537	16	15
	Sones	2.3	2.7	3.5	2.8					
20WHCT	220V	60Hz	CFM	250	188	127	78	1517	24.4	22
	Sones	3	3.9	4.5	4.2					
20WHCT	240V	50Hz	CFM	230	147	103	53	1333	23.4	22
	Sones	2.8	3.8	3.4	4					

Performance certified is for installation type A: Free Inlet, Free Outlet. Performance ratings include the effects of inlet grille and shutter. The speed (RPM) and Watts rating shown are at the static pressure of 0 inch of H₂O. The sound ratings shown are loudness values in fan sones at 5 ft. (1.5m) in a hemispherical free field calculated per AMCA International Standard 301. Values shown are for installation type A: Free Inlet hemispherical sone levels.

* the Watts rating is only for AMCA test method and it is at the static pressure of 0 inch of H₂O.

** the Watts rating is only for IEC test method and the AMCA Certified Ratings Seal does not apply to IEC test method watts.

WINDOW MOUNT VENTILATION FAN

Automatic Shutter Series

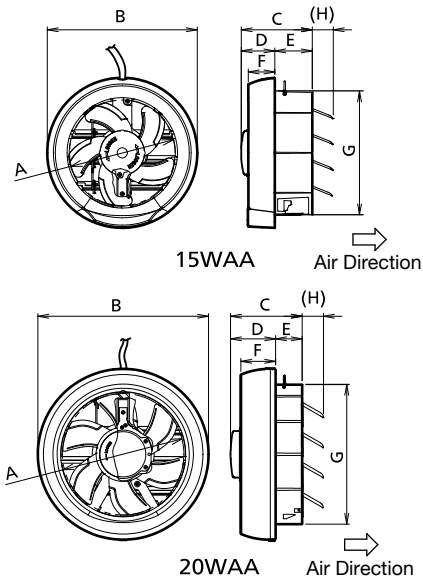


**15WAA/15WAAMN/
20WAA/20WAAMN**

- Automatic shutter
- High Performance Condenser motor with thermo cut-off
- Well lubricated bearing for long life operation
- Propeller fan incorporated with advance blade design.
- Removable blade for easy maintenance

Product Dimension

UNIT: mm



Model	A	B	C	D	E	F	G	H (Max)
15WAA / 15WAAMN	150	212	100	47	53	38	175	(30)
20WAA / 20WAAMN	206	290	122	76	46	59	237	(36)



KDK Company, Division of PES and Panasonic Ecology Systems (Thailand) Co., Ltd. certify that the window mount series models shown herein are licensed to bear the AMCA Seal. The ratings shown are based on tests and procedures performed in accordance with AMCA Publication 211 and AMCA Publication 311 and comply with the requirements of the AMCA Certified Ratings Program.

Specification

Model	Voltage	Frequency	CFM/SONE AT STATIC Pressure (ps-inches of H ² O)				RPM	Watts*	Watts**	
			inches of H ₂ O	0	0.02	0.04		0.06	FOR AMCA	FOR IEC
15WAA 15WAAMN	220V	60Hz	CFM	124	109	91	79	2021	19.6	18
		240V	50Hz	Sones	3.6	4.5	4.1			
20WAA 20WAAMN	220V	60Hz	CFM	206	147	124	94	1385	18.4	17
		240V	50Hz	Sones	3.7	3.8	3.5			
			CFM	165	153	141	131	1375	18.6	17.5
			Sones	3.4	3.3	3.4	3.4			

Performance certified is for installation type A: Free Inlet, Free Outlet. Performance ratings include the effects of a shutter. The speed (RPM) and Watts rating shown are at the static pressure of 0 inch of H₂O. The sound ratings shown are loudness values in fan sones at 5 ft. (1.5m) in a hemispherical free field calculated per AMCA International Standard 301. Values shown are for installation type A: Free Inlet hemispherical sone levels.

* the Watts rating is only for AMCA test method and it is at the static pressure of 0 inch of H₂O.

** the Watts rating is only for IEC test method and the AMCA Certified Ratings Seal does not apply to IEC test method watts.

WINDOW MOUNT VENTILATION FAN

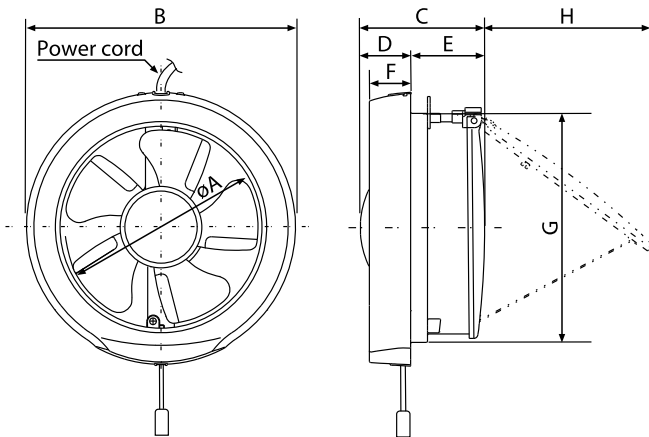
Cord-operated Shutter Series



**15WUD/
20WUD**

Product Dimension

UNIT: mm



Model	A	B	C	D	E	F	G	H
15WUD	150	210	97	43	54	37	177	149
20WUD	200	271	98	36	62	36	237	201

- HP condenser motor with thermal cutoff
- Well lubricated bearing for long life operation
- Propeller fan incorporated with advanced blade design
- Shutter operated by pull cord
- Metallic shutter axis



KDK Company, Division of PES and Panasonic Ecology Systems (Thailand) Co., Ltd. certify that the window mount series models shown herein are licensed to bear the AMCA Seal. The ratings shown are based on tests and procedures performed in accordance with AMCA Publication 211 and AMCA Publication 311 and comply with the requirements of the AMCA Certified Ratings Program.

Specification

Model	Voltage	Frequency	CFM/SONE AT STATIC Pressure (ps-inches of H ₂ O)				RPM	Watts*	Watts**	
			inches of H ₂ O	0	0.01	0.02		0.03	FOR AMCA	FOR IEC
15WUD	220V	60Hz	CFM	105	94	79	66	1425	9.7	8.9
	240V	50Hz	Sones	0.9	0.9	2.2	2.4			
			CFM	124	115	104	94	1722	10.3	9.5
			Sones	1.4	1.6	1.8	3.7			
			inches of H ₂ O	0	0.02	0.03	0.04			
20WUD	220V	60Hz	CFM	188	129	112	88	980	19.2	17.9
	240V	50Hz	Sones	0.8	1.2	1.8	1.4			
			CFM	221	168	141	118	1096	18.5	17.2
			Sones	1.8	1.6	2.2	2.0			

Performance certified is for installation type A: Free Inlet, Free Outlet. Performance ratings include the effects of a shutter. The speed (RPM) and Watts rating shown are at the static pressure of 0 inch of H₂O. The sound ratings shown are loudness values in fan sones at 5 ft. (1.5m) in a hemispherical free field calculated per AMCA International Standard 301. Values shown are for installation type A: Free Inlet hemispherical sone levels.

* the Watts rating is only for AMCA test method and it is at the static pressure of 0 inch of H₂O.

** the Watts rating is only for IEC test method and the AMCA Certified Ratings Seal does not apply to IEC test method watts.

SPECIFICATIONS

Ceiling Mount Ventilation Fan Model Comparison

Model no.	Voltage	Frequency	Speed	CFM/SONE AT STATIC Pressure (ps-inches of H ₂ O)										RPM	Watts*	Watts**
				inches of H ₂ O	0	0.1	0.125	0.25	0.375	0.5	0.625	0.75	0.875			
17CUG /17CUGA	220V	60Hz	-	CFM	41	28	25	-	-	-	-	-	-	810	11	10
				Sones	0.3	0.5	0.6	-	-	-	-	-	-			
	240V	50Hz	-	CFM	50	43	40	-	-	-	-	-	-	780	12	10.5
				Sones	0.3	0.4	0.6	-	-	-	-	-	-			
24CUG	220V	60Hz	-	CFM	83	73	68	44	-	-	-	-	-	610	16	15.5
				Sones	0.5	0.6	0.6	1.4	-	-	-	-	-			
	240V	50Hz	-	CFM	88	77	75	51	-	-	-	-	-	680	15.1	14
				Sones	0.7	0.8	0.9	1.6	-	-	-	-	-			
24CDG	220V	60Hz	-	CFM	101	90	88	64	-	-	-	-	-	750	18.2	16.5
				Sones	0.7	0.8	0.9	1.5	-	-	-	-	-			
	240V	50Hz	-	CFM	105	91	86	64	-	-	-	-	-	780	18.6	17.5
				Sones	0.8	0.9	1.0	1.7	-	-	-	-	-			
24CHG	220V	60Hz	-	CFM	109	99	96	75	47	-	-	-	-	860	23.6	22
				Sones	1.0	1.2	1.2	1.5	2.4	-	-	-	-			
	240V	50Hz	-	CFM	116	100	94	72	33	-	-	-	-	890	23.5	22
				Sones	1.2	1.3	1.4	1.6	2.1	-	-	-	-			
27CHH	220V	60Hz	Hi	CFM	182	162	156	118	78	37	-	-	-	570	33	33
				Sones	1.1	1.2	1.3	1.7	2.2	2.5	-	-	-			
	240V	50Hz	Hi	CFM	198	179	172	126	78	18	-	-	-	609	37	34
				Sones	1.4	1.5	1.6	1.8	2.3	2.5	-	-	-			
32CDH	220V	60Hz	Hi	CFM	226	202	196	163	127	91	53	-	-	580	48	48
				Sones	1.2	1.3	1.4	1.7	2.2	2.7	3.3	-	-			
	240V	50Hz	Hi	CFM	257	236	230	192	147	99	53	-	-	675	56	50
				Sones	1.6	1.7	1.8	1.9	2.5	3.0	3.6	-	-			
38CDG	220V	60Hz	Hi	CFM	344	323	317	290	261	230	197	163	126	628	98	98
				Sones	3.1	3.2	3.2	3.3	3.6	4.1	4.5	5.7	5.7			
38CDG 05 38CDG	240V	50Hz	Hi	CFM	387	367	362	336	305	259	212	165	108	737	118	107
				Sones	4.0	4.1	4.2	4.3	4.4	4.7	5.3	5.7	6.2			
24JRB	220V	60Hz	Hi	CFM	88	88	88	88	63	34	5	-	-	853	10	8
				Sones	0.7	1.0	1.0	1.3	1.7	1.8	3.1	-	-			
	240V	50Hz	Hi	CFM	88	88	88	88	63	34	5	-	-	853	10	8
				Sones	0.7	1.0	1.0	1.3	1.7	1.8	3.1	-	-			
24JAB	220V	60Hz	Hi	CFM	88	88	88	88	63	34	5	-	-	839	10	8
				Sones	0.6	0.9	1.0	1.4	1.6	1.9	3.2	-	-			
	240V	50Hz	Hi	CFM	88	88	88	88	63	34	5	-	-	839	10	8
				Sones	0.6	0.9	1.0	1.4	1.6	1.9	3.2	-	-			
24CMUA	220V	60Hz	-	CFM	55	40	37	20	-	-	-	-	495	13	12	
				Sones	0.3	0.7	0.8	1.6	-	-	-	-				-
	240V	50Hz	-	CFM	55	44	41	24	-	-	-	-	562	14	13	
				Sones	0.3	0.8	1.0	1.4	-	-	-	-				-
24CMHA	220V	60Hz	-	CFM	94	85	83	72	54	-	-	-	681	25	23	
				Sones	1.0	1.4	1.5	1.9	2.3	-	-	-				-
	240V	50Hz	-	CFM	108	98	95	77	44	-	-	-	753	27	25	
				Sones	1.4	1.8	1.9	2.1	2.2	-	-	-				-
27CMHA	220V	60Hz	-	CFM	208	184	178	144	108	79	-	-	-	615	46	43
				Sones	1.6	1.7	1.7	2.3	3.2	3.5	-	-	-			
	240V	50Hz	-	CFM	219	194	188	150	110	70	-	-	-	669	46	43
				Sones	1.9	1.9	2.0	2.4	3.4	3.1	-	-	-			

Performance certified is for installation type B: Free inlet, Ducted outlet. Performance ratings include the effects of an inlet grille and backdraft shutter. Speed (RPM) shown is nominal. Performance is based on actual speed of test. The sound ratings shown are loudness values in fan zones at 5 ft. (1.5m) in a hemispherical free field calculated per AMCA International Standard 301. Values shown are for installation type B: Free inlet hemispherical zone levels.

* the Watts rating is only for AMCA test method and it is at the static pressure of 0 inch of H₂O.

** the Watts rating is only for IEC test method and the AMCA Certified Ratings Seal does not apply to IEC test method watts.

Low Noise Type Cabinet Fan Model Comparison																	
Model no.	Voltage	Frequency	Speed	CFM/SONE AT STATIC Pressure (ps-inches of H ₂ O)											RPM	Watts*	Watts**
				inches of H ₂ O	0	0.1	0.125	0.25	0.375	0.5	0.75	1	1.25	1.5			
12NSB	220V	60Hz	Hi	CFM	114	105	102	87	65	-	-	-	-	-	1,460	26	23
				Sones	1.5	1.4	1.4	1.3	1.4	-	-	-	-	-			
	240V	50Hz	Hi	CFM	102	90	86	67	39	-	-	-	-	-	1,342	27	22
				Sones	2.0	1.7	1.6	1.4	1.5	-	-	-	-	-			
15NSB	220V	60Hz	Hi	CFM	200	183	177	149	118	83	-	-	-	-	1,520	45	42
				Sones	2.7	2.5	2.4	2.3	2.2	2.0	-	-	-	-			
	240V	50Hz	Hi	CFM	193	177	172	139	94	20	-	-	-	-	1,373	47	37
				Sones	3.7	3.4	3.2	2.6	2.5	2.8	-	-	-	-			
18NSB	220V	60Hz	Hi	CFM	274	261	258	241	222	196	137	-	-	-	1,470	80	73
				Sones	3.3	3.1	3.0	2.9	2.7	2.6	2.7	-	-	-			
	240V	50Hz	Hi	CFM	281	263	259	232	200	163	34	-	-	-	1,342	84	68
				Sones	4.8	4.4	4.4	3.8	3.4	3.0	2.9	-	-	-			
18NFB	220V	60Hz	Hi	CFM	417	399	395	373	347	318	237	-	-	-	1,420	128	119
				Sones	4.0	3.9	3.9	3.9	3.6	3.5	3.4	-	-	-			
	240V	50Hz	Hi	CFM	429	406	400	381	344	290	78	-	-	-	1,327	135	104
				Sones	5.6	5.4	5.4	5.1	4.6	4.3	4.2	-	-	-			
20NSB	220V	60Hz	Hi	CFM	469	459	456	444	433	413	354	275	-	-	1,380	170	159
				Sones	4.0	4.0	3.9	3.8	3.9	4.0	4.1	4.2	-	-			
	240V	50Hz	Hi	CFM	517	500	495	464	424	382	265	110	-	-	1,328	175	135
				Sones	6.0	5.8	5.8	5.4	5.1	4.8	4.5	4.5	-	-			
23NLB	220V	60Hz	Hi	CFM	655	642	640	625	611	597	555	505	440	-	1,400	350	310
				Sones	6.0	6.0	5.9	5.9	5.7	5.7	5.8	5.8	5.8	-			
	240V	50Hz	Hi	CFM	688	670	664	642	614	579	493	388	199	-	1,342	347	260
				Sones	8.8	8.6	8.4	8.1	8.0	7.6	7.2	6.7	6.6	-			
25NSB	220V	60Hz	Hi	CFM	940	924	919	899	877	857	790	710	610	502	1,380	460	425
				Sones	7.1	7.1	7.1	7.0	6.8	6.8	6.7	6.7	6.7	6.9			
	240V	50Hz	Hi	CFM	963	938	935	906	868	822	719	567	395	-	1,305	481	370
				Sones	10.1	9.8	9.7	9.3	9.2	8.8	8.0	7.5	8.2	-			
25NFB	220V	60Hz	Hi	CFM	1,016	1,000	995	975	954	933	875	803	710	590	1,420	680	520
				Sones	8.2	8.2	8.2	8.2	7.9	7.9	7.8	7.6	7.5	7.5			
	240V	50Hz	Hi	CFM	1,057	1,048	1,040	1,010	972	922	811	660	473	-	1,330	537	430
				Sones	12.1	11.9	11.5	11.1	10.6	9.8	8.7	8.7	10.3	-			

Performance certified is for installation type D: Ducted inlet, Ducted outlet.
 Performance ratings do not include the effects of appurtenances (accessories), Speed (RPM) shown is nominal.
 Performance is based on actual speed of test. The sound ratings shown are loudness values in fan sones at 5ft (1.5m) in a hemispherical free field calculated per AMCA International Standard 301.
 Values shown are for installation Type D: ducted inlet hemispherical sone levels. Ratings do not include the effect of duct end correction.
 * the Watts rating is only for AMCA test method and it is at the static pressure of 0 inch of H₂O.
 ** the Watts rating is only for IEC test method and the AMCA Certified Ratings Seal does not apply to IEC test method watts.

Low Noise Type Cabinet Fan (Three Phase Series) Model Comparison (Non-AMCA Certified)											
Model No.	Phase	Voltage [V]	Frequency [Hz]	Consumption [W]	RPM [min ⁻¹]	Air Volume		Noise [dB(A)]	Weight [Kg]	Duct Size [mm]	Impeller Diameter [mm]
						[CMH]	[CFM]				
25SWC	3	380	50	940	1,375	4,000	2,354	43	60	250 x 500	250
			60	1,450	1,530	4,500	2,648	45			
25SMC	3	380	50	1,180	1,345	5,200	3,060	45	60	250 x 700	250
			60	1,750	1,470	5,500	3,237	46			
28NXC	3	380	50	600	1,295	2,600	1,530	44	28	ø250	280
			60	840	1,380	2,650	1,560	45			

Note: The value in Specification table are representative characteristic value at 380V, 50/60Hz
 RPM data is for reference only. Values may vary subject to different conditions.
 The above Low Noise Type Cabinet Fan (Three Phase Series) Model are not licensed to bear the AMCA Certified Ratings Seal.

SPECIFICATIONS

Industrial Ventilation Fan Model Comparison															
Model no.	Voltage	Frequency	CFM/SONE AT STATIC Pressure (ps-inches of H ₂ O)										RPM	Watts*	Watts**
			inches of H ₂ O	0	0.05	0.075	0.1	0.125	0.25	0.375	0.5	0.75		FOR AMCA	FOR IEC
25GSE	220V	60Hz	CFM	788	742	715	686	647	-	-	-	-	1570	61	57
			Sones	4.9	4.7	4.5	4.5	4.6	-	-	-	-			
	240V	50Hz	CFM	701	657	633	600	565	187	-	-	-	1400	48	44
			Sones	3.8	3.6	3.6	3.5	3.6	8.6	-	-	-			
30GSE	220V	60Hz	CFM	1308	1247	1217	1184	1153	772	-	-	-	1460	129	119
			Sones	9.0	9.0	9.1	9.0	9.1	9.4	-	-	-			
	240V	50Hz	CFM	1177	1119	1090	1058	1026	561	243	-	-	1315	106	98
			Sones	5.5	5.5	5.6	5.6	5.8	11.1	12.0	-	-			
35GSE	220V	60Hz	CFM	1850	1788	1752	1712	1669	1456	600	-	-	1640	178	161
			Sones	11.9	11.6	12.0	12.4	13.6	14.6	13.4	-	-			
	240V	50Hz	CFM	1615	1548	1506	1458	1411	1147	390	-	-	1435	130	122
			Sones	8.6	8.2	8.2	8.0	8.0	12.6	13.4	-	-			
40GSE	220V	60Hz	CFM	2677	2581	2535	2488	2440	2170	2050	-	-	1550	294	270
			Sones	20.0	20.0	19.7	19.4	19.3	18.9	19.9	-	-			
	240V	50Hz	CFM	2135	2067	2035	2000	1965	1800	1480	-	-	1440	164	151
			Sones	9.0	8.5	8.7	8.7	8.7	13.0	14.2	-	-			

Model no.	Voltage	Frequency	CFM/SONE AT STATIC Pressure (ps-inches of H ₂ O)				RPM	Watts*	Watts**	
			inches of H ₂ O	0	0.2	0.3		0.4	FOR AMCA	FOR IEC
45GSC	220V	60Hz	CFM	3278	3131	3001	2795	1563	346	325
			Sones	10	10.4	10.6	10.8			
	240V	50Hz	CFM	2854	2648	2454	2030	1430	277	241
			Sones	7.8	7.7	7.8	9.4			
50GSC	220V	60Hz	CFM	3884	3443	3090	2501	1080	347	326
			Sones	10.9	11.3	11.5	11.8			
	240V	50Hz	CFM	3354	2854	2266	912	968	293	271
			Sones	11.7	13.8	14.5	15.4			
60GSC	220V	60Hz	CFM	5038	4349	3943	3560	1088	384	361
			Sones	10.1	9.8	9.5	10.1			
	240V	50Hz	CFM	4402	3855	3366	2972	980	289	263
			Sones	10.3	8.6	8.5	11.5			

Performance certified is for installation type A: Free Inlet, Free Outlet. 1. For models 25/30/35/40GSC, Speed (RPM) shown is nominal; 2. but for models 45/50/60GSC, the Speed (RPM) and watts rating shown are at the static pressure of 0 inch of H₂O. Performance is based on actual speed of test. The sound ratings shown are loudness values in fan sones at 5 ft. (1.5m) in a hemispherical free field calculated per AMCA International Standard 301. Values shown are for installation type A: Free Inlet hemispherical sone levels.

* the Watts rating is only for AMCA test method and it is at the static pressure of 0 inch of H₂O.

** the Watts rating is only for IEC test method and the AMCA Certified Ratings Seal does not apply to IEC test method watts.

Industrial Ventilation Fan Model Comparison (Non-AMCA Certified)									
Model No.	Phase	Voltage [V]	Frequency [Hz]	Consumption [W]	RPM [min ⁻¹]	Air Volume		Noise [dB(A)]	Weight [Kg]
						[CMH]	[CFM]		
45GTC	3	380	50	220	1,450	5,520	3,249	52	18.5
			60	330	1,690	6,420	3,779	58	
50GTC	3	380	50	320	1,400	6,960	4,097	54	28.5
			60	475	1,590	8,010	4,715	58	
60GTC	3	380	50	310	940	9,420	5,544	49	34
			60	450	1,070	10,920	6,427	53	
30KQT	-	220	50	42	1,185	1,220	718	46	4.9
			60	51	1,255	1,270	747	47	
40KQT	-	220	50	61	1,175	2,060	1,212	49	6.4
			60	76	1,260	2,190	1,289	51	
50AEQ2	-	220	50	108	920	3,630	2,137	54	11.5
			60	130	1,050	4,200	2,472	58	

Note: The value in Specification table are representative characteristic value at 220V, 50/60Hz. RPM data is for reference only. Values may vary subject to different conditions. The above Industrial Ventilation Fan Model are not licensed to bear the AMCA Certified Ratings Seal.

Wall Mount Ventilation Fan Model Comparison

Model	Voltage	Frequency	CFM/SONE AT STATIC Pressure (ps-inches of H ₂ O)				RPM	Watts* FOR AMCA	Watts** FOR IEC
			inches of H ₂ O	0	0.025	0.05			
15AAQ1	220V	60Hz	CFM	157	122	65	1533	20.6	19.0
			Sones	2.5	1.9	2.3			
	240V	50Hz	CFM	154	120	63	1453	20.1	19.0
			Sones	1.7	1.4	2.1			
20AUH	220V	60Hz	CFM	355	314	196	1410	32.4	28.5
			Sones	2.5	2.5	1.7			
25AUH	220V	60Hz	CFM	514	426	290	1200	37.8	33.0
			Sones	1.8	1.5	1.8			
30AUH 11	220V	60Hz	CFM	572	453	235	856	37.0	33.0
			Sones	1.0	1.7	2.6			
20ALH	220V	60Hz	CFM	328	280	170	1385	32.8	28.5
			Sones	3.5	3.2	3.4			
25ALH	220V	60Hz	CFM	420	372	232	1097	37.5	33.0
			Sones	2.7	2.7	4.6			
30ALF 11	220V	60Hz	CFM	447	288	154	746	37.1	33.0
			Sones	2.0	2.7	2.2			
20ASB	220V	60Hz	CFM	330	259	183	1358	25.5	21.5
			Sones	1.7	1.9	3.9			
20ASB / 20ASB 05	240V	50Hz	CFM	296	198	151	1252	22.4	19.5
			Sones	1.5	1.7	3.2			
25ASB	220V	60Hz	CFM	522	414	240	1277	35.5	30.5
			Sones	1.9	1.6	2.2			
25ASB / 25ASB 05	240V	50Hz	CFM	486	434	314	1194	35.1	29.5
			Sones	2.0	2.0	2.4			
30ASB	220V	60Hz	CFM	637	400	85	1088	39.8	34.5
			Sones	2.0	2.7	2.2			
30ASB / 30ASB 05	240V	50Hz	CFM	706	620	498	1175	38.1	34.0
			Sones	2.9	2.3	2.2			

Model	Voltage	Frequency	CFM/SONE AT STATIC Pressure (ps-inches of H ₂ O)				RPM	Watts* For AMCA	Watts** FOR IEC	
			inches of H ₂ O	0	0.02	0.04				0.06
20AUHT	220V	60Hz	CFM	356	315	271	227	1343	24.5	22
			Sones	2.3	2.4	1.8	2.8			
	240V	50Hz	CFM	338	294	253	171	1234	23.5	21.5
			Sones	2.1	2.4	2	3.5			
25AUHT	220V	60Hz	CFM	515	421	330	227	1113	34.3	31
			Sones	2.5	2.3	1.9	3			
	240V	50Hz	CFM	527	465	400	347	1143	35.2	32
			Sones	5.8	5.6	5.2	4.8			
30AUHT	220V	60Hz	CFM	586	486	335	174	874	40.4	38
			Sones	2.2	2.2	4.1	2.4			
	240V	50Hz	CFM	624	565	491	312	935	41.5	39
			Sones	3.7	3.6	3.6	4.1			
20ALHT	220V	60Hz	CFM	327	294	256	162	1277	24.2	22
			Sones	2.8	2.7	4.3	5.3			
	240V	50Hz	CFM	300	274	234	141	1228	23.5	21.5
			Sones	2.6	2.5	3.8	3.8			
25ALHT	220V	60Hz	CFM	465	409	350	260	1116	40	36
			Sones	3.5	3.2	3	5.4			
	240V	50Hz	CFM	468	418	371	327	1152	35.2	32
			Sones	5.5	5.9	5	5.2			
30ALFT	220V	60Hz	CFM	503	374	230	119	833	42	38
			Sones	2.6	3	3.1	2.5			
	240V	50Hz	CFM	571	494	406	247	921	44.3	40
			Sones	3.8	3.7	5.1	3.8			

Performance certified is for installation type A: Free inlet, Free outlet. Performance ratings include the effects of backdraft shutter for all models and inlet grille for model 20ALH, 25ALH, 30ALF 11, 20ALHT, 25ALHT, 30ALFT. The speed (RPM) and Watts rating shown are at the static pressure of 0 inch of H₂O. The sound ratings shown are loudness values in fan sones at 5 ft. (1.5m) in a hemispherical free field calculated per AMCA International Standard 301. Values shown are for installation type A: Free inlet hemispherical sone levels. *the Watts rating is only for AMCA test method and it is at the static pressure of 0 inch of H₂O. **the Watts rating is only for IEC test method and the AMCA Certified Ratings Seal does not apply to IEC test method watts.

SPECIFICATIONS

Wall Mount Ventilation Fan Model Comparison (Non-AMCA Certified)										
Model No.		Voltage [V]	Frequency [Hz]	Comsumption [W]	RPM [min ⁻¹]	Air Volume		Noise [dB(A)]	Weight [Kg]	Installation space [mm]
						[CMH]	[CFM]			
25AUFA		220	50	34	1,100	835	491	42	2.8	300 x 300
			60	34	1,080	820	483	42		
20RGF	Exhaust	220	50	20	1,290	580	341	36	2.2	250 x 250
			60	25	1,440	650	383	39		
	Intake		50	16	1,100	405	238	46		
			60	17	1,170	355	209	48		
25RGF	Exhaust	220	50	29	1,120	945	556	38	2.4	300 x 300
			60	34	1,145	950	559	39		
	Intake		50	20	900	640	377	45		
			60	24	995	645	380	44		
30RGF	Exhaust	220	50	31	900	1,165	686	39	2.8	350 x 350
			60	33	995	1,150	677	38		
	Intake		50	24	905	800	471	43		
			60	24	810	745	428	42		
20RGFT	Exhaust	220	50	20	1,260	580	341	36	2.2	250 x 250
			60	24	1,410	630	371	39		
	Intake		50	15	1,150	405	238	46		
			60	17	1,140	355	209	46		
25RGFT	Exhaust	220	50	27	1,090	945	556	38	2.4	300 x 300
			60	31	1,110	950	559	39		
	Intake		50	21	1,010	600	353	45		
			60	23	970	560	330	44		
30RGFT	Exhaust	220	50	31	885	1,165	686	39	2.8	350 x 350
			60	38	800	1,000	589	38		
	Intake		50	24	840	700	412	43		
			60	26	810	680	400	42		
20RLF	Exhaust	220	50	20	1,275	546	321	39	2.4	250 x 250
			60	25	1,290	600	353	43		
	Intake		50	17	1,225	385	227	46		
			60	17	1,145	340	200	49		
25RLF	Exhaust	220	50	29	1,060	876	516	41	2.7	300 x 300
			60	34	1,060	835	491	41		
	Intake		50	20	1,020	570	335	45		
			60	24	970	573	338	43		
30RLE	Exhaust	220	50	31	876	990	583	44	3.1	350 x 350
			60	33	885	945	556	43		
	Intake		50	24	850	730	430	43		
			60	24	776	690	406	44		
20RLFT	Exhaust	220	50	20	1,240	548	321	39	2.4	250 x 250
			60	24	1,290	570	335	43		
	Intake		50	15	1,190	370	218	46		
			60	17	1,180	340	200	46		
25RLFT	Exhaust	220	50	29	1,110	840	494	43	2.7	300 x 300
			60	33	1,110	835	491	43		
	Intake		50	21	1,035	580	330	43		
			60	23.5	1,035	560	583	44.5		
30RLET	Exhaust	220	50	31	890	990	583	44	3.1	350 x 350
			60	38	880	945	558	43		
	Intake		50	25	770	600	353	43		
			60	26	770	600	353	44		

Note: The value in Specification table are representative characteristic value at 220V, 50/60Hz
 RPM data is for reference only. Values may vary subject to different conditions.
 The above Wall Mount Ventilation Fan Model are not licensed to bear the AMCA Certified Ratings Seal.

Window Mount Ventilation Fan Model Comparison

Model	Voltage	Frequency	CFM/SONE AT STATIC Pressure (ps-inches of H ₂ O)				RPM	Watts*	Watts**	
			inches of H ₂ O	0	0.05	0.1		0.15	FOR AMCA	FOR IEC
15WHCT	220V	60Hz	CFM Sones	127 3.0	94 3.6	63 3.5	31 3.9	2440	14.6	13
	240V	50Hz	CFM Sones	127 2.3	95 2.7	68 3.5	50 2.8	2537	16	15
20WHCT	220V	60Hz	CFM Sones	250 3	188 3.9	127 4.5	78 4.2	1517	24.4	22
	240V	50Hz	CFM Sones	230 2.8	147 3.8	103 3.4	53 4	1333	23.4	22

Model	Voltage	Frequency	CFM/SONE AT STATIC Pressure (ps-inches of H ₂ O)				RPM	Watts*	Watts**	
			inches of H ₂ O	0	0.02	0.04		0.06	FOR AMCA	FOR IEC
15WAA 15WAAMN	220V	60Hz	CFM Sones	124 3.6	109 4.5	91 4.1	79 4	2021	19.6	18
	240V	50Hz	CFM Sones	124 3.5	109 4.5	93 4.1	78 3.8	2062	18.2	16
20WAA 20WAAMN	220V	60Hz	CFM Sones	206 3.7	147 3.8	124 3.5	94 3.3	1385	18.4	17
	240V	50Hz	CFM Sones	165 3.4	153 3.3	141 3.4	131 3.4	1375	18.6	17.5

Model	Voltage	Frequency	CFM/SONE AT STATIC Pressure (ps-inches of H ₂ O)				RPM	Watts*	Watts**	
			inches of H ₂ O	0	0.01	0.02		0.03	FOR AMCA	FOR IEC
15WUD	220V	60Hz	CFM Sones	105 0.9	94 0.9	79 2.2	66 2.4	1425	9.7	8.9
	240V	50Hz	CFM Sones	124 1.4	115 1.6	104 1.8	94 3.7	1722	10.3	9.5
			inches of H ₂ O	0	0.02	0.03	0.04			
20WUD	220V	60Hz	CFM Sones	188 0.8	129 1.2	112 1.8	88 1.4	980	19.2	17.9
	240V	50Hz	CFM Sones	221 1.8	168 1.6	141 2.2	118 2.0	1096	18.5	17.2

Performance certified is for installation type A: Free Inlet, Free Outlet. Performance ratings include the effects of shutter for all models and inlet grille for model 15WHCT and 20WHCT. The speed (RPM) and Watts rating shown are at the static pressure of 0 inch of H₂O. The sound ratings shown are loudness values in fan sones at 5 ft. (1.5m) in a hemispherical free field calculated per AMCA International Standard 301. Values shown are for installation type A: Free Inlet hemispherical sone levels.

* the Watts rating is only for AMCA test method and it is at the static pressure of 0 inch of H₂O.

** the Watts rating is only for IEC test method and the AMCA Certified Ratings Seal does not apply to IEC test method watts.

Model No.	Voltage [W]	Frequency [W]		Consumption [W]	RPM [min ⁻¹]	Air Volume		Noise [dB(A)]	Weight [Kg]	Installation Size [mm]
						[CMH]	[CFM]			
15WJA	220	50	Hi	22	1,878	205	121	46	2.4	ø186 - ø190
			Lo	19	1,325	145	85	36		
		60	Hi	27	2,012	220	129	48		
			Lo	20	1,294	153	90	38		

Note: The value in Specification table are representative characteristic value at 220V, 50/60Hz

RPM data is for reference only. Values may vary subject to different conditions.

The above Window Mount Ventilation Fan Model (15WJA) is not licensed to bear the AMCA Certified Ratings Seal.

AIR CURTAIN

Cross Flow Type



PRODUCT LINEUP

Remote Controlled Series

Efficient Distance - 3m

3009GA (900mm)
3012GA (1200mm)
3015GA (1500mm)

Efficient Distance - 4m

4009GA (900mm)
4012GA (1200mm)
4015GA (1500mm)



Sensor Series

3009DA (900mm)
3012DA (1200mm)
3015DA (1500mm)

4009DA (900 mm)
4012DA (1200 mm)
4015DA (1500 mm)



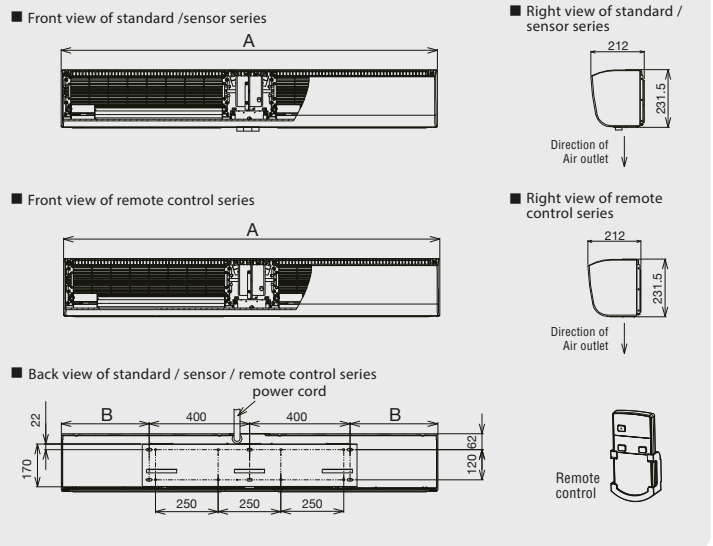
Standard Series

3009UA (900mm)
3012UA (1200mm)
3015UA (1500mm)

4009UA (900 mm)
4012UA (1200 mm)
4015UA (1500 mm)

- Cross flow fan adopted for wide and uniform airflow
- Uniquely auxiliary air enhances airflow output
- Thick air stream provides high inflow momentum
- Resin with glass fiber adopted for fan blade
- Simple structure allows easy maintenance
- Permanently lubricated ball bearing equipped
- Air deflection plate for airflow direction adjustment
- Main air inlet at top allows neat image
- Push button switch
- 2-speed selection

DIMENSION



Model	Unit: mm					
	3009UA 3009GA 3009DA	4009UA 4009GA 4009DA	3012UA 3012GA 3012DA	4012UA 4012GA 4012DA	3015UA 3015GA 3015DA	4015UA 4015GA 4015DA
A	900	900	1200	1200	1500	1500
B	50	50	200	200	350	350

Model No.	Voltage		Air Volume				Consumption		Current		Outlet Velocity		Noise		Weight [kg]	
	[V]	[Hz]	Hi		Lo		Hi	Lo	Hi	Lo	Hi	Lo	Hi	Lo		
			[m³/h]	[CFM]	[m³/h]	[CFM]	[W]	[W]	[A]	[A]	[m/s]	[m/s]	[dB(A)]	[dB(A)]		
900mm	220V	50	1,100	647	920	541	76	70	0.35	0.32	10.5	8.5	48.5	45	12.5	
		60	1,100	647	900	530	92	78	0.42	0.36	10.5	8.5	49.5	45		
		50	1,150	677	960	565	86	80	0.37	0.35	10.5	9	50.5	47.5		
	220V	50	1,340	789	1,190	700	110	94	0.50	0.43	12	10	54.5	51		13.5
		60	1,340	789	1,100	647	141	111	0.64	0.51	12	10	55.5	51		
		50	1,360	800	1,200	706	122	100	0.51	0.43	12.5	10.5	56.5	53.5		
220V	50	1,400	824	1,270	747	94	85	0.43	0.40	9.5	8	48.5	44.5	15		
	60	1,400	824	1,250	736	109	94	0.51	0.46	9.5	8	48.5	44.5			
	50	1,500	883	1,320	777	107	95	0.46	0.43	10	8.5	50.5	47			
220V	50	1,700	1,001	1,530	901	126	105	0.59	0.49	12	10	52.5	48.5		16	
	60	1,700	1,001	1,450	853	153	118	0.70	0.55	12	10	52.5	48.5			
	50	1,800	1,059	1,580	930	139	110	0.60	0.49	12.5	10.5	54.5	51			
220V	50	2,000	1,177	1,800	1,059	131	110	0.59	0.50	10.5	9.5	51.5	48	18.5		
	60	2,000	1,177	1,750	1,030	150	118	0.68	0.54	10.5	9.5	51.5	48			
	50	2,100	1,236	1,850	1,089	145	115	0.60	0.50	11	10	53.5	50.5			
220V	50	2,450	1,442	2,000	1,177	177	147	0.81	0.68	13	10	56	52		18.5	
	60	2,300	1,354	1,780	1,048	220	160	1.01	0.74	13	9.5	56	52			
	50	2,500	1,471	2,050	1,207	200	160	0.86	0.68	13.5	10.5	58	54.5			

Note: 1. The parameters as shown in above table are measured at ambient temperature of 20°C.

2. The noise value is measured 1.5m far from the product at angle of 45° below the air outlet. The air outlet is the maximum value.

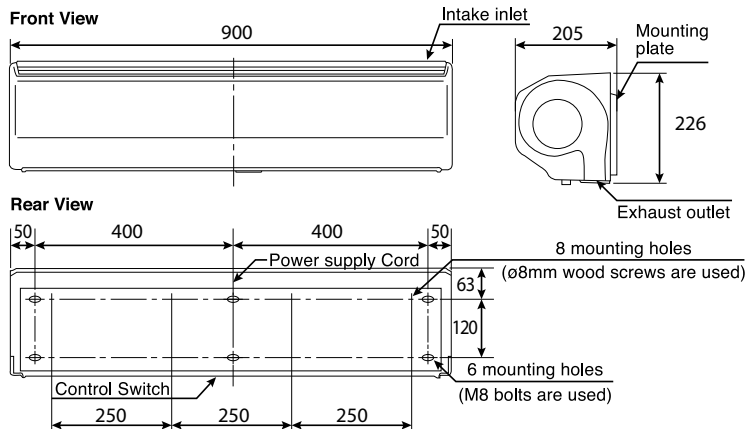
3. Because the above-mentioned velocity is measured in test laboratory where it's empty, without air flow and obstacle, after actual installation the velocity may vary depends on different service environment.

AIR CURTAIN

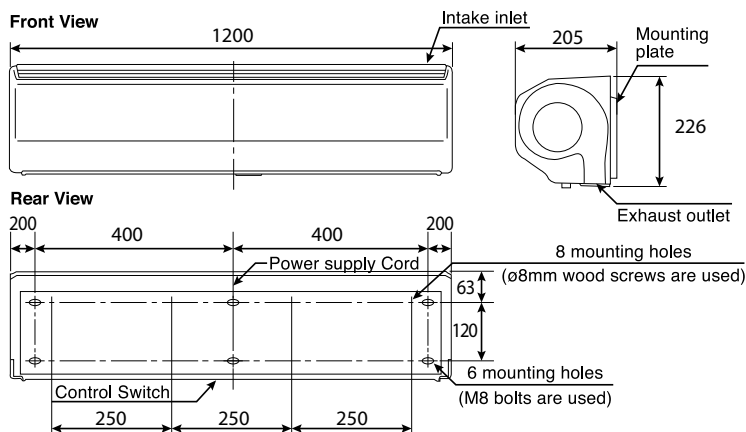
Sirocco Type



DIMENSION For *ESK Models



DIMENSION For *ELK Models



Short **Long**

08ESK	08ELK
10ESK	10ELK
12ESK	12ELK
14ESK	14ELK

- Sirocco fan adopted for long reach and narrow diffusion airflow
- ABS resin casing provides better weather resistance
- Permanently lubricated ball bearing equipped
- Air deflection plate for airflow direction adjustment
- Air inlet at top allows neat image
- Push button switch
- 2-speed selection

Model	Length [mm]	Frequency [Hz]	Input [Hz]		Outlet Velocity [m/s]		Air Volume [CMH]		Noise [dB(A)]		Weight [Kg]		
			High	Low	High	Low	High	Low	High	Low			
08ESK	900	50	46	42	0.23	0.21	11.5	10.3	650	580	42	39	12
		60	57	49	0.28	0.25	12.1	9.9	690	560	43	38	
10ESK		50	72	66	0.31	0.29	12	11.1	750	630	46	42	12
		60	88	79	0.42	0.33	14.9	10.9	860	600	50	40	
12ESK		50	176	155	0.85	0.69	16.9	15.8	1050	960	55	50	13
		60	202	170	0.94	0.75	16.1	15.3	990	940	54	49	
14ESK	50	257	218	1.14	0.99	21.9	19.1	1340	1168	62	59	13	
	60	312	255	1.43	1.16	21.3	17.7	1303	1083	61	57		
08ELK	1200	50	57	53	0.28	0.27	11.6	10.6	880	800	43	41	14
60		74	62	0.36	0.32	12.4	10.5	940	790	45	40		
10ELK		50	96	86	0.4	0.39	13.1	11	1000	830	46	42	14
		60	116	102	0.53	0.47	15.1	10.5	1150	790	50	41	
12ELK		50	224	200	1.04	0.9	17	15.8	1420	1320	56	51	15
		60	258	220	1.21	1.04	16.2	15.4	1340	1290	55	50	
14ELK	50	333	290	1.52	1.32	22.5	20.1	1867	1668	63	61	15	
	60	423	339	1.93	1.55	22	18.7	1826	1552	63	59		

Note: The values in specification tables are representative characteristic value at 220V 50Hz/60Hz and the ambient temperature of 200C. The noise values were measured at an angle of 45° below the air outlet, from a distance of 1.5 meters inside the room. The outlet shows maximum value.

REFERENCE/PROJECT LIST

SUDAN

Jawharaa Project
Mixed Use Development
Energy Recovery Ventilators



UAE

519 Villas in ALAIN
Residential Villas
Window Mount Ventilation Type



OMAN

Pearl Muscat Ph1
Mixed Used Development
Ducted Ventilation Products



UAE

Buhaleeba 200 Villa Complex
Residential Villas
Ducted Ventilation Products

REFERENCE/PROJECT LIST

OMAN

Pearl Muscat Ph2-
Mixed Used Development
Ducted Ventilation Products



UAE

B+G+3 Ajman
Commercial
Window mount Ventilation



KSA

AL Waseel Housing Project
Local Housing Development for Locals
DC motor Ducted Ventilation products



QATAR

42 Villas in Doha
Residential Villas
Window Mount Ventilation

REFERENCE/PROJECT LIST

UAE

Labour Camp Project
Labor Camps Complex
Ceiling fans, Window Mount fans, industrial fans



OMAN

125 Apartments
Residential Development
Ceiling Mount Ventilation Fans



OMAN

252 Apartments
Short Description
Cabinet Fans , Wall Mount Louver



QATAR

432 Apartments
Short Description
Cabinet Fans, Wall Mount Louver

REFERENCE/PROJECT LIST

QATAR

234 Apartments
Residential Development
Ceiling Mount Ventilation Fans



UAE

220 Villa in Abu Dhabi
Residential Development
Window & Wall Mount Ventilation Fans



KSA

SABIC
Net Zero Energy Green House Model
Cabinet Fans, Wall Mount Louver,
Energy Recovery Ventilators



OMAN

G+2 Warehouse & Offices
Commercial/Industrial
Mini Scirocco & Industrial Range Fans

CERTIFICATES

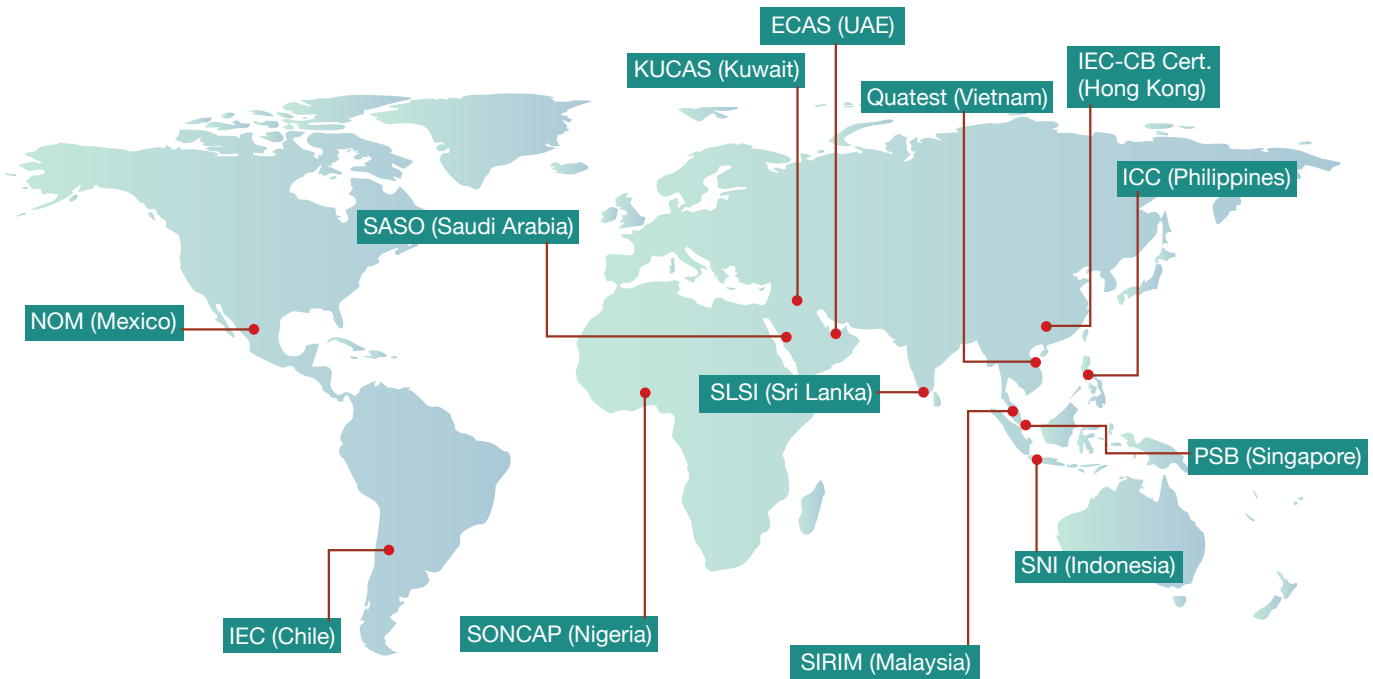
To ensure safety, KDK products are designed and manufactured according to either the standards of JIS (Japan Industrial Standard) or IEC (International Electrotechnical Commission). Test certificates are awarded by recognized test laboratories that further prove the reliability of our products.



CB Test Certificate

CB Test Certificate is issued to products in compliance with the applicable requirement of IEC standard under CB Scheme (Certification Bodies' Scheme) set by IEC .

Beside the international standard of JIS and IEC, different safety certifications are also acquired to fulfill the requirement in different countries.



In addition, the performance of KDK products are qualified by external authorities:

- 1) AMCA Seal (Air Movement and Control Association International Inc.) of The United States for ventilation products
- 2) Suruhanjaya Tenaga (Energy Commission) of Malaysia for ceiling mount ventilation fans
- 3) VNEEP (National Energy Efficiency Programme) of Vietnam for electric fans
- 4) EEL (Energy Efficiency Label) of Hong Kong for dehumidifier
- 5) Seal of Approval Certificate of Allergy UK (The British Allergy Foundation) for air purifier and air cooler
- 6) Gulf Technical Regulation (GCC) for the Gulf markets



(1) AMCA Mark, USA



(2) Suruhanjaya Tenaga, Malaysia



(3) VNEEP, Vietnam



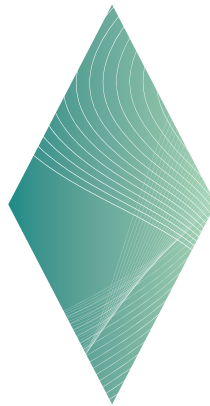
(4) EEL, Hong Kong



(5) Allergy UK, United Kingdom



(6) Gulf Technical Regulation (GCC)



SINCE 1909
JAPAN

KDK Company, Division of PES
4017, Takaki-cho, Kasugai, Aichi, Japan
<https://www.kdk-mea.com/>

- Actual colors may vary slightly from those shown.
- Specifications are subject to change without prior notice.

CATALOG NO: K-PQDV01

June 2020