

Application

Model SSSMD-201 is a 304 stainless steel leakage rated smoke damper with 3V style blades for operational closure in emergency smoke control situations. Model SSSMD-201 may be installed vertically (with blades running horizontally) or horizontally and is rated for airflow and leakage in either direction.

Ratings

UL 555S Leakage Rating

Leakage Class: I

Operational Rating: Actual ratings are size dependent

Velocity: Up to 2000 fpm (10.2 m/s)

Pressure: Up to 6 in. wg (1.5 kPa)

Temperature: Up to 350°F (177°C) - depending upon the actuator



* W & H dimension furnished approximately ¼ in. (6mm) undersize. Add sleeve thickness for overall sleeved damper dimension.

Internal left hand drive is shown.



See complete marking on product.

UL 555S Classification
R13317

Size Limitations

W x H	Minimum Size	Maximum Size		
		Single Section	Multiple Section	
			Horizontal	Vertical
Inches	4 x 4	24 x 30	48 x 30	88 x 72
mm	102 x 102	610 x 762	1219 x 762	2235 x 1829

* Overall damper size is 8 in. x 6 in. (203 mm x 152 mm).

Model SSSMD-201 meets the requirements for smoke dampers established by:

National Fire Protection Association

NFPA Standards 90A, 92, 101 & 105

IBC International Building Codes

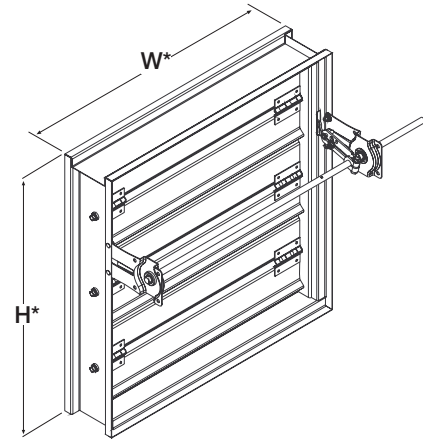
CSFM California State Fire Marshal

Leakage (Smoke) Damper Listing

(#3230-0981:104)

Construction

	Standard	Optional
Frame Material	304SS	-
Frame Material Thickness	16 ga. (1.5 mm)	-
Frame Type	5 in. x 1 in. (127 mm x 25 mm) hat channel	-
Blade Action	Opposed	-
Blade Material	304SS	-
Blade Material Thickness	16 ga. (1.5 mm)	-
Blade Type	3V	-
Blade Orientation	Horizontal	-
Linkage	316SS out of airstream, concealed in jamb	-
Axle Bearings	316SS	-
Axle Material	316SS	-
Blade Seals	Silicone	-
Jamb Seals	Stainless steel	-
Mounting	Vertical	Horizontal



Note:

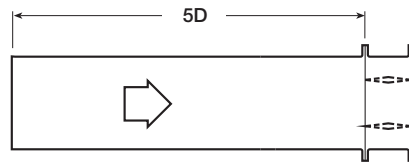
The frames are constructed with reinforced corners. Low profile head and sill are used on sizes less than 17 in. (432 mm) high for lower pressure drop and improved damper performance.

Options

- [BACnet test module - 120V](#)
- [BACnet test module - 24V](#)
- [Momentary test switch](#)
- [OCI \(Open closed indicator switch\)](#)
- [Retaining angles](#)
- Sealed transitions and sleeves
- [Smoke detector - no flow](#)
- [Smoke detector - low flow](#)
- Transitions: R, C, O

Pressure Drop

AMCA Figure 5.2



12 in. x 12 in. (305mm x 305mm)

Velocity (fpm)	Pressure Drop (in. wg)
500	0.04
1000	0.14
1500	0.31
2000	0.55
2500	0.86
3000	1.24
3500	1.69
4000	2.20

24 in. x 24 in. (610mm x 610mm)

Velocity (fpm)	Pressure Drop (in. wg)
500	0.02
1000	0.07
1500	0.16
2000	0.29
2500	0.45
3000	0.65
3500	0.89
4000	1.16

36 in. x 36 in. (914mm x 914mm)

Velocity (fpm)	Pressure Drop (in. wg)
500	0.01
1000	0.04
1500	0.09
2000	0.16
2500	0.25
3000	0.36
3500	0.49
4000	0.64

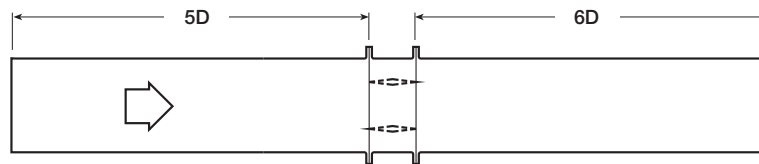
12 in. x 48 in. (305mm x 1219mm)

Velocity (fpm)	Pressure Drop (in. wg)
500	0.01
1000	0.06
1500	0.13
2000	0.23
2500	0.36
3000	0.52
3500	0.70
4000	0.92

48 in. x 12 in. (1219mm x 305mm)

Velocity (fpm)	Pressure Drop (in. wg)
500	0.03
1000	0.10
1500	0.23
2000	0.41
2500	0.63
3000	0.91
3500	1.24
4000	1.62

AMCA Figure 5.3



12 in. x 12 in. (305mm x 305mm)

Velocity (fpm)	Pressure Drop (in. wg)
500	0.02
1000	0.09
1500	0.20
2000	0.36
2500	0.56
3000	0.81
3500	1.10
4000	1.44

24 in. x 24 in. (610mm x 610mm)

Velocity (fpm)	Pressure Drop (in. wg)
500	0.01
1000	0.04
1500	0.09
2000	0.16
2500	0.25
3000	0.35
3500	0.48
4000	0.63

36 in. x 36 in. (914mm x 914mm)

Velocity (fpm)	Pressure Drop (in. wg)
500	0.01
1000	0.03
1500	0.06
2000	0.11
2500	0.17
3000	0.24
3500	0.33
4000	0.42

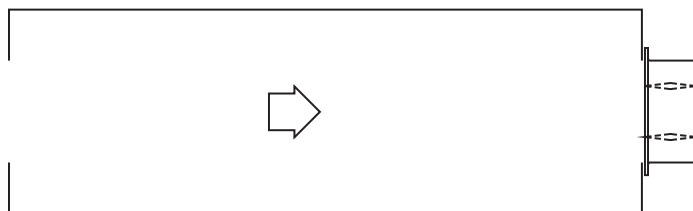
12 in. x 48 in. (305mm x 1219mm)

Velocity (fpm)	Pressure Drop (in. wg)
500	0.01
1000	0.04
1500	0.10
2000	0.17
2500	0.27
3000	0.39
3500	0.53
4000	0.70

48 in. x 12 in. (1219mm x 305mm)

Velocity (fpm)	Pressure Drop (in. wg)
500	0.02
1000	0.07
1500	0.16
2000	0.29
2500	0.45
3000	0.64
3500	0.88
4000	1.14

AMCA Figure 5.5



12 in. x 12 in. (305mm x 305mm)

Velocity (fpm)	Pressure Drop (in. wg)
500	0.06
1000	0.22
1500	0.50
2000	0.89
2500	1.39
3000	2.00
3500	2.72
4000	3.55

24 in. x 24 in. (610mm x 610mm)

Velocity (fpm)	Pressure Drop (in. wg)
500	0.03
1000	0.14
1500	0.31
2000	0.54
2500	0.85
3000	1.22
3500	1.66
4000	2.17

36 in. x 36 in. (914mm x 914mm)

Velocity (fpm)	Pressure Drop (in. wg)
500	0.03
1000	0.12
1500	0.26
2000	0.46
2500	0.73
3000	1.05
3500	1.42
4000	1.86

12 in. x 48 in. (305mm x 1219mm)

Velocity (fpm)	Pressure Drop (in. wg)
500	0.03
1000	0.13
1500	0.30
2000	0.53
2500	0.83
3000	1.19
3500	1.62
4000	2.11

48 in. x 12 in. (1219mm x 305mm)

Velocity (fpm)	Pressure Drop (in. wg)
500	0.04
1000	0.17
1500	0.38
2000	0.67
2500	1.04
3000	1.50
3500	2.05
4000	2.67

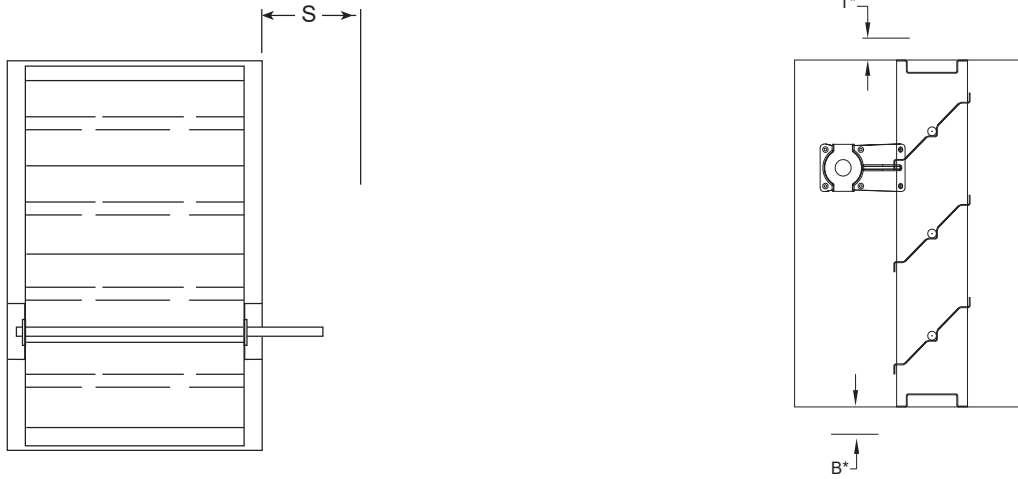


Greenheck Fan Corporation certifies that the model SSSMD-201 shown herein is licensed to bear the AMCA Seal. The ratings shown are based on tests and procedures performed in accordance with AMCA Publication 511 and comply with the requirements of the AMCA Certified Ratings Programs. The AMCA Certified Ratings Seal applies to air performance ratings only.

Space Envelopes

Externally mounted actuators always require space outside of the damper sleeve. The “S” dimension illustrates the clearance required for various available actuators.

Worst case space envelopes shown below. Exact dimensions may vary based on specific damper configuration. Consult factory for specific space envelope if necessary.

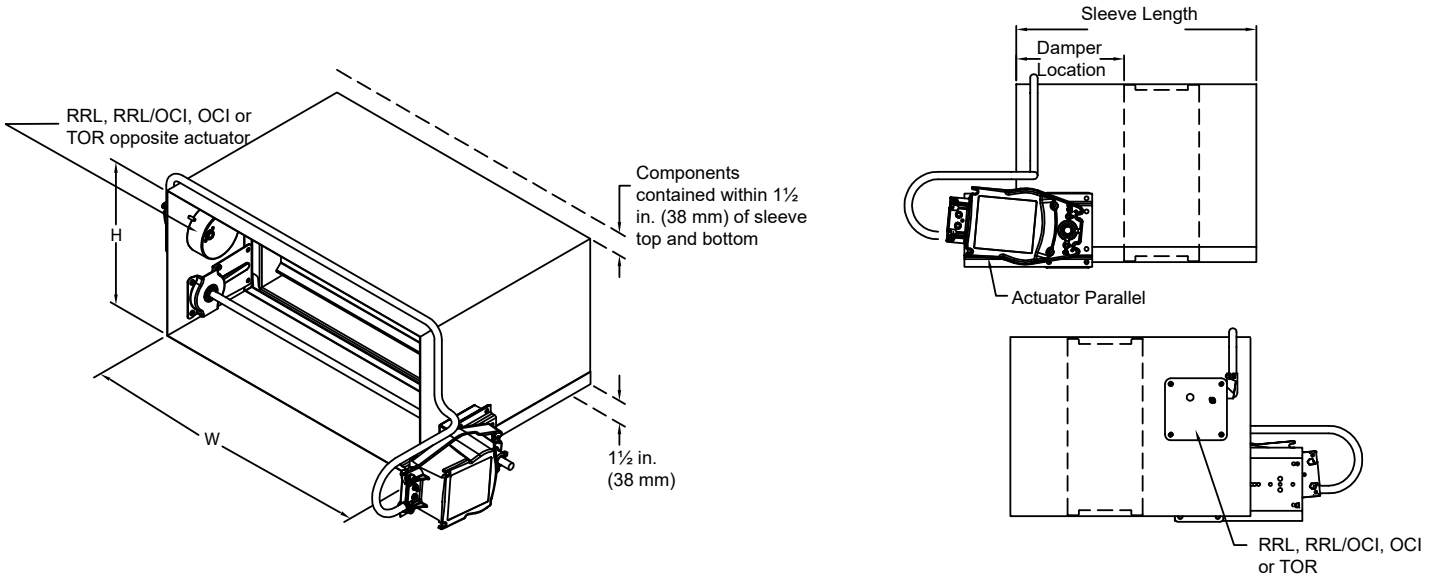


Actuator Type/Model	B*		T*		S	
	With RRL, RRL/OCI, or TOR		With RRL, RRL/OCI, or TOR		Piggyback	
					No	Yes
Belimo						
FSAFB24-SR (-S)	1½ in. (38mm)	9¼ in. (235mm)	6 in. (152mm)	9 in. (229mm)		
FSLF series	8 in. (203mm)	1½ in. (38mm)	6½ in. (165mm)	NA		
FSNF series	1½ in. (38mm)	9¼ in. (235mm)	6 in. (152mm)	9 in. (229mm)		
FSTF Series	8 in. (203mm)	1½ in. (38mm)	6½ in. (165mm)	NA		
Siemens						
GJD Series	7 in. (178mm)	1½ in. (38mm)	6½ in. (165mm)	NA		
GRD Series	1½ in. (38mm)	7½ in. (191mm)	6½ in. (165mm)	NA		
GXVD Series	1½ in. (38mm)	9¼ in. (235mm)	6 in. (152mm)	9 in. (229mm)		
Honeywell						
MS4103, MS8103 Series	8¾ in. (222mm)	1½ in. (38mm)	6½ in. (165mm)	NA		
MS4104, MS4604, MS8104 Series	1½ in. (38mm)	8½ in. (216mm)	6½ in. (165mm)	NA		
MS4109, MS4609, MS8109 Series	1½ in. (38mm)	8½ in. (216mm)	6½ in. (165mm)	NA		
MS4120, MS4620, MS8120 Series	1½ in. (38mm)	9½ in. (241mm)	6 in. (152mm)	9 in. (229mm)		

* For dampers 18 in. (457mm) or more in height these dimensions are 0 in.

Contained Actuator Option

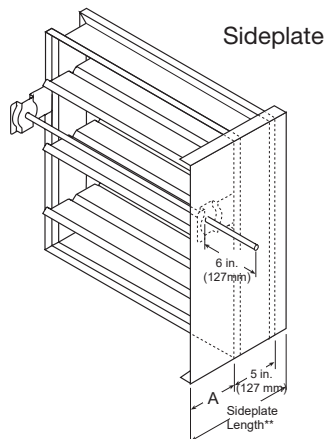
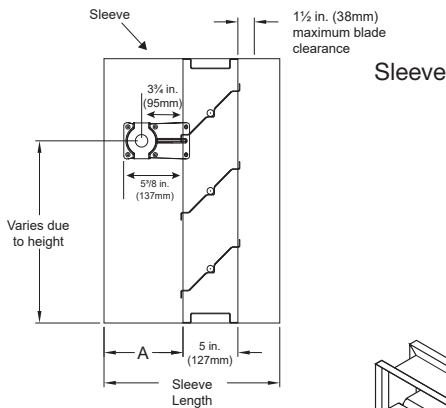
Dampers can be ordered with a “contained actuator option”. This option will result in the actuator being oriented such that it extends no more than 1½ inches above or below the sleeve. Note that some damper configurations that are 11 inches high or less will have the OCI mounted on the side opposite the actuator when the contained actuator option is selected.



Sleeve and Sideplate Dimension Data

The drawings below and corresponding table show the position of the SSSMD-201 damper when mounted in a factory sleeve (“A” dimension). The standard mounting locations provide enough space for the mounting of actuators, controls and allow space for installation of retaining angles and duct connections. The following options may affect the range of available mounting locations: smoke detector, NEMA 7 enclosure, transitions, security bars, grille tabs.

The standard location of a damper mounted in a factory sleeve (“A” dimension) is shown below. The damper can be positioned at other locations within a range of 6 in. (152mm) to 16 in. (406mm) for the “A” dimension.

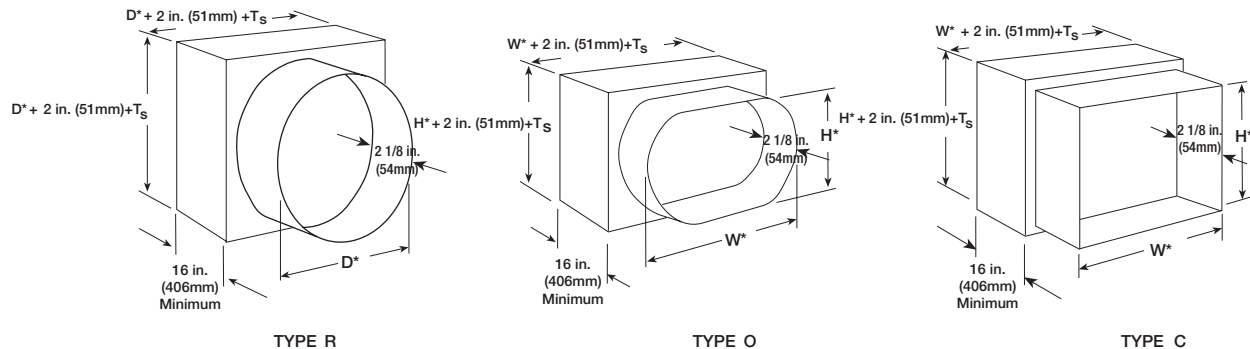


in. (mm)	With Sleeve		Sideplate Damper Location “A”
	Minimum Damper Location “A”	Maximum Damper Location “A”	
Damper with no OCI	7 3/16 in. (183)	16 (406)	6 3/16 (157)
Height < 12 in. (305) with OCI	12 (305)	16 (406)	12 (305)
Height ≥ 12 in. (305) with OCI	7 3/16 in. (183)	16 (406)	12 (305)

NOTE: Entire damper frame is not required to be installed within the wall. The damper blades, when closed should be contained within the wall.

Transitioned Damper Dimensions

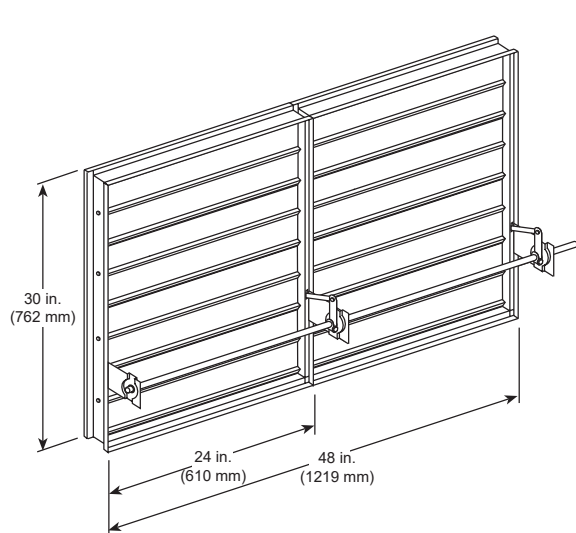
When a fire/smoke damper is being used in conjunction with round or oval ductwork, the SSSMD-201 can be supplied in a factory sleeve with round or oval transitions on both ends of the sleeve. Dampers should be ordered to the duct dimensions. Drawings below show overall damper size.



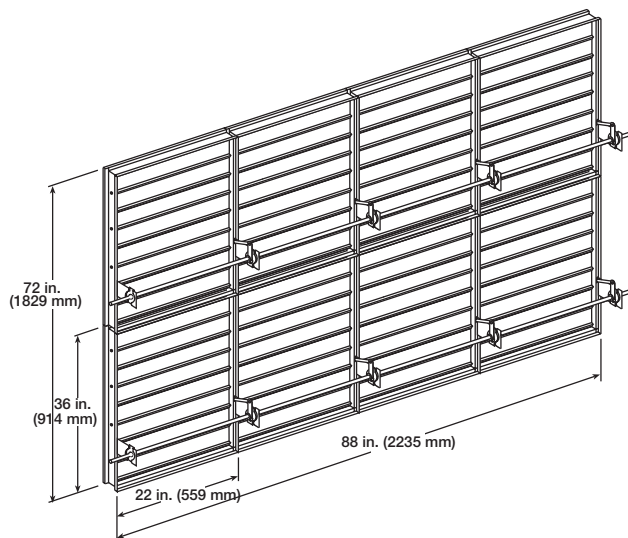
* These dimensions are furnished approximately 1/4 in. (6mm) undersize, except round and oval dimensions which are approximately 1/8 in. (3mm) undersize.
 $T_S = (2)(\text{Sleeve Thickness})$

Multiple Section Sizing

Dampers larger than maximum single section size are supplied as a factory assembly of two or more sections of equal size. The following figures show maximum damper section size and assembly configurations for multi-section dampers.



2 sections



**4 sections wide
2 sections high**



[INSTALLATION](#)



[CATALOG](#)



[SELECTION GUIDE](#)



[SPECIFICATIONS](#)



[WARRANTY](#)