

EFD-637-MD

(standard)

*Louver dimensions furnished approximately 1/2" (13) undersize. Screen adds approximately 3/16" (5) to louver depth.

Ratings

Free Area: [48" × 48" (1219 × 1219) unit]: 8.7 ft² (0.81 m²)
54.6%

Performance @ Beginning Point of Water Penetration

Free Area Velocity: 1,100 fpm (5.59 m/s)

Air Volume Delivered: 9,600 cfm (4.53 m³/s)

Pressure Loss: 0.14 in.wg. (35 Pa)

Velocity @ 0.15 in.wg. Pressure Loss: 1,139 fpm (5.78 m/s)

Miami Dade County: NOA No. 21-1122.02 (Expires 2/19/2024)
Approved to FBC TAS202-94, TAS201-94 and TAS203-94

Florida Building Code Approval (2020-FBC): No. FL12655

Design Load: 150 psf

The EFD-637-MD is engineered and tested to withstand extreme loads, debris impact and cyclic fatigue failure associated with the severe weather effects of hurricanes (Miami-Dade County approval #21-1122.02). Constructed from 6063-T5 extruded aluminum the EFD-637-MD's design accommodates installations of unlimited width or height and single section assemblies up to 48" × 144" (1219 × 3658). Specially designed water resistant seam covers further enhance performance and aesthetics of this industry leading product.

Standard Construction

Material: Mill finish 6063-T5 extruded aluminum

Frame: 6" deep × 0.125" thick (152 × 3) channel

Blades: 37-1/2° × 0.081" (2) thick horizontal style

Screen: 1/2" × 0.063" (12.7 × 1.6) expanded and flattened aluminum

Mullion: Visible

Minimum Size: 12" × 12" (305 × 305)

Maximum Size:

Single section: 48" × 144" (1219 × 3658)

Multiple section: Unlimited width × 144" (3658) or 48" (1219) × unlimited height

Installation Hardware: Standard continuous angles and associated fasteners (anchors to substrate by others refer to installation instructions)

Options

■ Factory finish:

- High Performance Fluoropolymer ■ Prime Coat
- Baked Enamel ■ Clear Anodize ■ Integral Color Anodize

■ Frame Options:

- 1-1/2" (38) flange frame

■ Alternate bird or insect screens

■ Insulated or non-insulated blank-off panels

■ Filter racks

■ Head and/or sill flashing

■ Burglar bars

5 year
warranty

NOTE: Dimensions in parentheses () are millimeters.
Information is subject to change without notice or obligation.

PERFORMANCE

EFD-637-MD

Extruded Aluminum Louver
6" deep • 37-1/2° Horizontal Blade

Free Area (ft²)

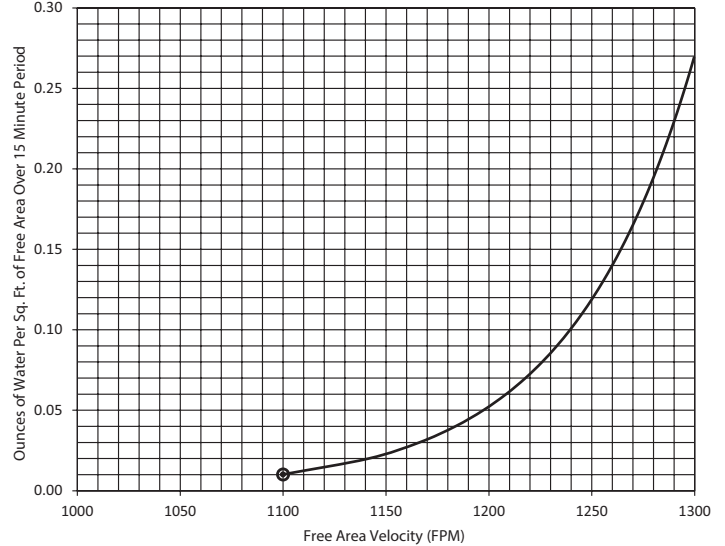
Width (Inches)

| Height (Inches) | Width (Inches) | | | | | | |
|-----------------|----------------|------------|------------|------------|------------|------------|------------|
| | 12 | 18 | 24 | 30 | 36 | 42 | 48 |
| 12 | 0.2 | 0.4 | 0.6 | 0.7 | 0.9 | 1.1 | 1.2 |
| 18 | 0.5 | 0.8 | 1.2 | 1.5 | 1.9 | 2.3 | 2.6 |
| 24 | 0.7 | 1.2 | 1.7 | 2.2 | 2.7 | 3.2 | 3.7 |
| 30 | 0.9 | 1.6 | 2.3 | 2.9 | 3.6 | 4.3 | 5.0 |
| 36 | 1.1 | 2.0 | 2.9 | 3.7 | 4.6 | 5.5 | 6.4 |
| 42 | 1.3 | 2.4 | 3.4 | 4.4 | 5.4 | 6.4 | 7.5 |
| 48 | 1.6 | 2.8 | 3.9 | 5.1 | 6.3 | 7.5 | 8.7 |
| 54 | 1.8 | 3.2 | 4.6 | 6.0 | 7.3 | 8.7 | 10.1 |
| 60 | 2.0 | 3.5 | 5.1 | 6.6 | 8.1 | 9.7 | 11.2 |
| 66 | 2.2 | 3.9 | 5.6 | 7.3 | 9.0 | 10.7 | 12.4 |
| 72 | 2.5 | 4.4 | 6.3 | 8.2 | 10.0 | 11.9 | 13.8 |
| 78 | 2.7 | 4.7 | 6.8 | 8.8 | 10.8 | 12.9 | 14.9 |
| 84 | 2.9 | 5.1 | 7.3 | 9.5 | 11.7 | 14.0 | 16.2 |
| 90 | 3.2 | 5.6 | 8.0 | 10.4 | 12.8 | 15.2 | 17.6 |
| 96 | 3.3 | 5.9 | 8.5 | 11.0 | 13.6 | 16.1 | 18.7 |
| 102 | 3.6 | 6.3 | 9.0 | 11.7 | 14.5 | 17.2 | 19.9 |
| 108 | 3.8 | 6.7 | 9.6 | 12.6 | 15.5 | 18.4 | 21.3 |
| 114 | 4.0 | 7.1 | 10.1 | 13.2 | 16.3 | 19.3 | 22.4 |
| 120 | 4.2 | 7.5 | 10.7 | 13.9 | 17.2 | 20.4 | 23.6 |
| 126 | 4.5 | 7.9 | 11.3 | 14.8 | 18.2 | 21.6 | 25.0 |
| 132 | 4.7 | 8.3 | 11.8 | 15.4 | 19.0 | 22.5 | 26.1 |
| 138 | 4.9 | 8.7 | 12.4 | 16.1 | 19.9 | 23.6 | 27.4 |
| 144 | 5.2 | 9.1 | 13.0 | 17.0 | 20.9 | 24.8 | 28.8 |

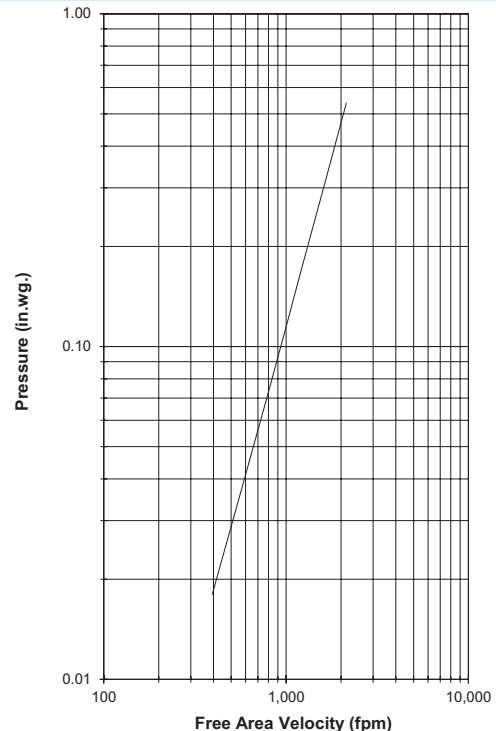
Water Penetration

AMCA defines the beginning point of water penetration as the free area velocity at the intersection of a simple linear regression of test data and the line of 0.01 ounces of water per square foot of free area and is measured through a 48" x 48" louver during a 15 minute period. The AMCA water penetration test provides a method for comparing louver models and designs as to their efficiency in resisting the penetration of rainfall under specific lab conditions. We recommend that intake louvers are selected with a reasonable margin of safety below the beginning point of water penetration in order to avoid unwanted penetration during severe storm conditions.

Beginning Point of Water Penetration = 1,100 fpm



Pressure Loss



Louver Test Size = 48" x 48" (1219 x 1219)

Pressure loss tested in accordance with Figure 5.5 of AMCA Standard 500-L. Data corrected to standard air density.



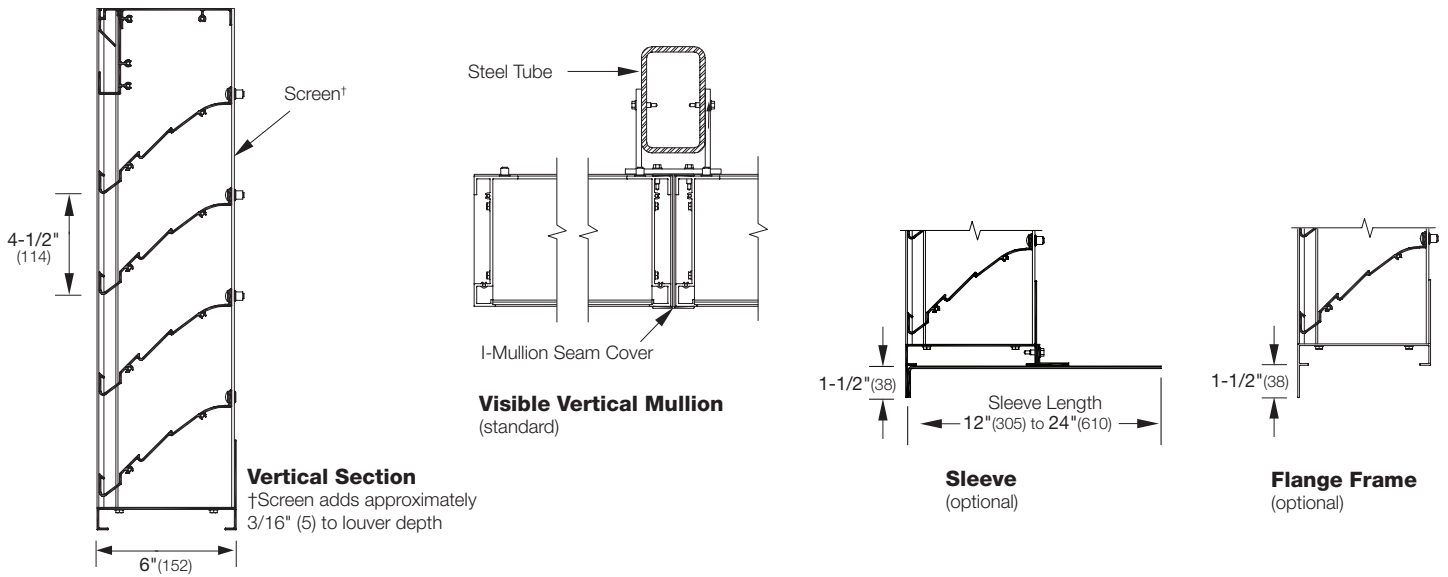
Certified Ratings:

Pottorff certifies that the model EFD-637-MD shown herein is licensed to bear the AMCA seal. The ratings shown are based on tests and procedures performed in accordance with AMCA Publication 511 and comply with the requirements of the AMCA Certified Ratings Program. The AMCA Certified Ratings seal applies to air performance, and water penetration ratings.

EFD-637-MD

Extruded Aluminum Louver
6" deep • 37-1/2° Horizontal Blade

Attributes



Supplemental Options

