



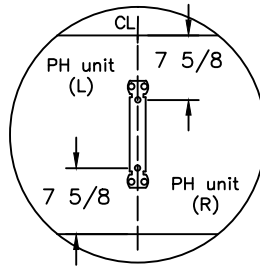
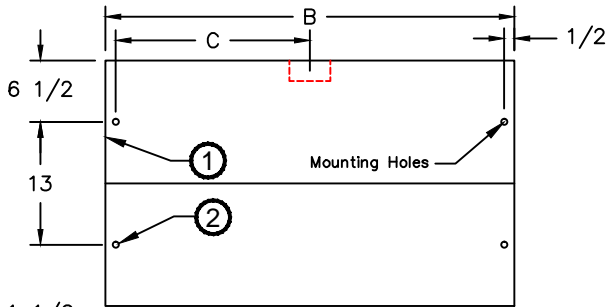
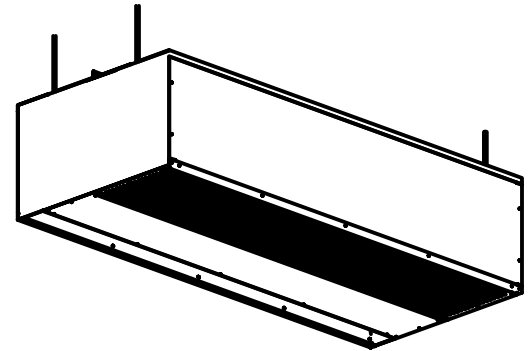
atmosphere is everything

14716 S. Broadway • Gardena, CA 90248 • USA
 TEL: (310) 532-1555 • (800) 421-1266 • FAX: (310) 324-3030
 Web Site: www.marsair.com • E-mail: info@marsair.com

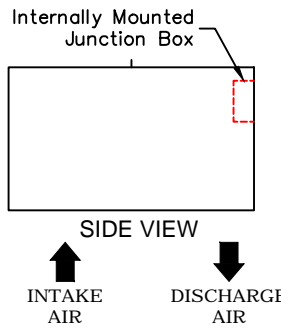
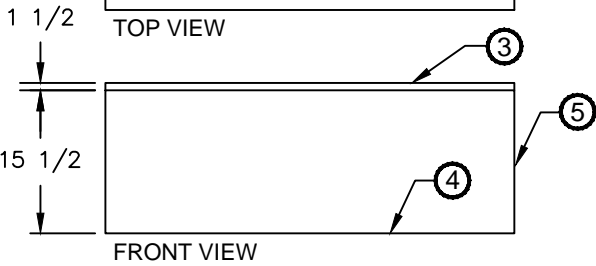
PROJECT		OPTIONS/ITEMS	
TITLE			
COMMENTS		DATE 9/24/14	PAGE
		REV. NO	
MODEL NO. PH10 Series	DRAWING NO PH10U-F	DRAWN BY TVN	CHECKED BY
		FILE NAME	

Unheated Drawing

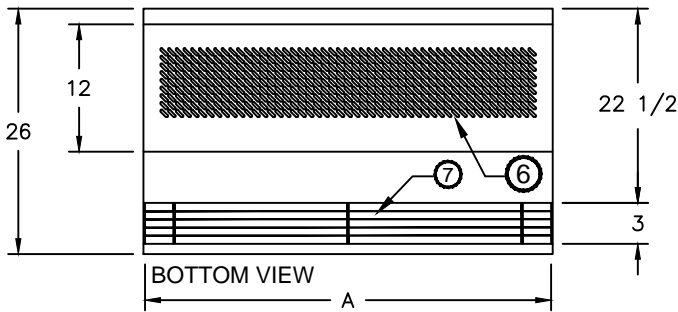
PH10 (Phantom 10) Series



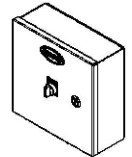
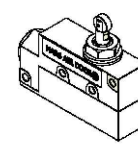
For tandem mounted units, center support required. The (2) center mounting holes are centerline of unit and 7 5/8" from front and rear of unit.



Note: Models PH1060-2, PH1064-2 & PH10120-4 are not AMCA Certified.



Recommended Accessories



Door Limit Switches

Control Panels

*- Use corresponding letters in "Electrical Data" columns to complete the model numbers.

MODEL NUMBER	NOZZLE WIDTH A (in)	OVERALL LENGTH B (in)	JUNCTION BOX LOCATION C (in)
PH1036-1U*-PW	36	36 1/8	18**
PH1042-1U*-PW	42	42 1/8	21**
PH1048-1U*-PW	48	48 1/8	24**
PH1060-2U*-PW	60	60 1/8	30**
PH1072-2U*-PW	72	72 1/8	36**
PH1084-2U*-PW	84	84 1/4	42**
PH1096-2U*-PW	96	96 1/4	24**
PH10108-3U*-PW	108	108 1/4	18**
PH10120-4U*-PW	120	120 1/4	30**
PH10144-4U*-PW	144	144 1/4	36**

** - Measurements from edge of each unit, when tandem mounted.

Notes:

- This product is designed to meet the National Electric Code (NEC), is ETL Listed for the US and Canada, AMCA Certified and bear the CE mark.
- (4) 3/8" threaded rod required for overhead installation.
- Cabinet has sufficient strength for fastening to wall on both ends without intermediate support.
- Four (4) 1" x 1" pearl white trim pieces included to match air curtains. (Does not increase unit size).
- Tandem mounted units longer than 72" require center support.
- Cleanable polyester filters included as standard. Optional aluminum or throwaway pleated filters available
- Unit is to be installed such that air flow is unobstructed. Air discharge nozzle containing adjustable air directional vanes with 40° sweep front to back.
- Circuit protection as per NEC by others.
- Optional motor control panel, door limit switch and mounting brackets are field installed and/or wired by others. The door limit switch is to be mounted such that the air curtain turns on as door begins to open. To prevent unit damage, the mounting brackets must be installed such that the bottom of the air curtain is not below the door header.

PH10 (Phantom 10) Series

Unheated

Model Lengths 36" – 144"



atmosphere is everything

14716 S. BROADWAY, GARDENA, CA 90248 • Ph: (310)532-1555 Fax: (310)-532-3030 • www.marsair.com
© Copyright Mars Air Systems, LLC 2014

Unheated Data Sheet

Applications: Environmental Separation up to 12' and Insect Control up to 10'

PH10 (Phantom 10)	Mechanical Data						AMCA Certified Lab Data					
	Model Number	Nozzle Length (in)	Length (in)	Depth (in)	Height (in)	Motor (hp)	Weight (lbs)	Max Core Velocity at Nozzle (fpm)	Avg Velocity (fpm)	Volume (cfm)	Uniformity (%)	Power Rating (watts)
	PH1036-1U*-PW	36	36	26	17	1/2	60	3950	1947	1460	91	460
	PH1042-1U*-PW	42	42	26	17	1/2	60	4150	1806	1580	89	500
	PH1048-1U*-PW	48	48	26	17	1/2	65	3895	1632	1632	91	520
	PH1060-2U*-PW	60	60	26	17	Two 1/2	100	3750	2217	2771	93	870
	PH1072-2U*-PW	72	72	26	17	Two 1/2	105	3950	1947	2920	91	920
	PH1084-2U*-PW	84	84	26	17	Two 1/2	125	4150	1806	3160	89	1000
	PH1096-2U*-PW	96	96	26	17	Two 1/2	130	3895	1632	3264	91	1040
	PH10108-3U*-PW	108	108	26	17	Three 1/2	170	3950	1947	4380	91	1380
	PH10120-4U*-PW	120	120	26	17	Four 1/2	200	3750	2217	5541	93	1730
	PH10144-4U*-PW	144	144	26	17	Four 1/2	210	3950	1947	5840	91	1840

* - Use corresponding letters in "Electrical Data" columns to complete the model numbers.

Note: Data above for 1725 RPM at 60 Hz, 50 Hz is 1425 RPM with a 17% reduction in the performance data.

1. The AMCA Certified Ratings Seal applies to airflow rate, average outlet velocity, outlet velocity uniformity, velocity projection and power rating at free delivery only.
2. Rated data shown are only for base (unheated) units, as shown.

Features:

- ❖ 1/2 HP Continuous Duty TEAO Motors
- ❖ Recessed mounted in ceiling for invisible coverage
- ❖ AMCA Certified to AMCA 211 (see table above for models available)
- ❖ ETL Certified to conform to UL 507 (US) and CSA 22.2 (Canada) Standards (Indoor/Outdoor Use)
- ❖ Utilized in premium design concepts
- ❖ Durable aluminum construction
- ❖ Cabinet has sufficient strength for fastening to wall on both ends without intermediate support. (Tandem mounted units longer than 72" require center support)
- ❖ Cleanable polyester filters included as standard
- ❖ Adjustable air directional vanes with 40° sweep front to back
- ❖ Standard color is Pearl White
- ❖ Rust preventative electrostatic polyurethane powder coating
- ❖ 5-year parts warranty
- ❖ Freight Included (FOB Continental USA)
- ❖ Proudly Made in the USA

Mars Recommended Accessories (See Submittals for additional details):

- ❖ Door Limit Switches
 - 99-014, Combination mechanical switch, 250V, 1HP Max
 - 99-125, Industrial surface mounted magnetic switch (controller required)
- ❖ Controllers
 - MCPA-1U*, Motor Control Panel, 120V control voltage († = # of Motors, * = Voltage Code)
 - MCP-TD, Adjustable time delay, 1sec-100hr (panel required)
 - MCP-24V, Low voltage control option (panel required)
 - BMS-303, BMS for monitor and control (panel required with MCP-24V)
 - Note: Dry contact provided in panel for monitoring motor. 24Vac signal provided from panel for controlling motor
 - SK-UU, SimpleLink, 115V-230V, 1PH, 2Mtr & 1HP max, Integral Control, Nema1
- ❖ Severe Duty and Finish
 - HSG-304SS-PH, 304 Stainless steel housing construction

Sound Levels: (measured at 10' in an open field)

1 Motor Unit = 66 dBA, 2 Motor Unit = 68 dBA, 3 Motor Unit = 71 dBA & 4 Motor Unit = 73 dBA

Projection Velocity		
Model	Distance from nozzle (in)	Avg. Core Velocity (FPM)
PH1036-1U*	40	1089
	80	1000
	120	900
	160	822



MARS Air Systems, LLC certifies that the air curtains shown on this data sheet are licensed to bear the AMCA seal. The ratings shown are based on tests and procedures performed in accordance with AMCA Publication 211 and comply with the requirements of the AMCA Certified Ratings Program.

The AMCA Certified Ratings Seal applies to airflow rate, average outlet velocity, outlet velocity uniformity, velocity projection and power rating at free delivery only.

Note: Models PH1060-2 & PH1064-2 & PH10120-4 are not AMCA Certified.

Electrical Data (FLA)	Unit Voltage (Voltage Code)				
	115v/1Ø (A)	208/230v/1Ø (D)	208/230v/3Ø (G)	460v/3Ø (H)	575v/3Ø (I)
PH1036-1U*-PW	5.1	2.5	1.8/1.6	0.8	0.7
PH1042-1U*-PW	5.1	2.5	1.8/1.6	0.8	0.7
PH1048-1U*-PW	5.1	2.5	1.8/1.6	0.8	0.7
PH1060-2U*-PW	10.2	5.0	3.6/3.2	1.6	1.4
PH1072-2U*-PW	10.2	5.0	3.6/3.2	1.6	1.4
PH1084-2U*-PW	10.2	5.0	3.6/3.2	1.6	1.4
PH1096-2U*-PW	10.2	5.0	3.6/3.2	1.6	1.4
PH10108-3U*-PW	15.3	7.5	5.4/4.8	2.4	2.1
PH10120-4U*-PW	20.4	10.0	7.2/6.4	3.2	2.8
PH10144-4U*-PW	20.4	10.0	7.2/6.4	3.2	2.8

* - Use corresponding letters in "Electrical Data" columns to complete the model numbers.

Alternate voltage codes with FLA (Full Load Amp) data:

220v/1Ø/60Hz (L) - 2.7A per motor

380-415v/3Ø/50Hz (W) - 1.1A per motor

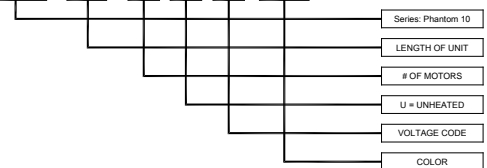
220v/1Ø/50Hz (U) - 2.5A per motor

For total FLA, multiply motor FLA by # of motors.

Ampacity (MCA) = total FLA X 1.25

EXAMPLE

PH10 72 -2 U A -PW



NOTE: MARS AIR SYSTEMS, LLC reserves the right to change specifications and product design without notice. Such revisions do not entitle the buyer to corresponding changes, improvements, additions, or replacements for previously purchased equipment.