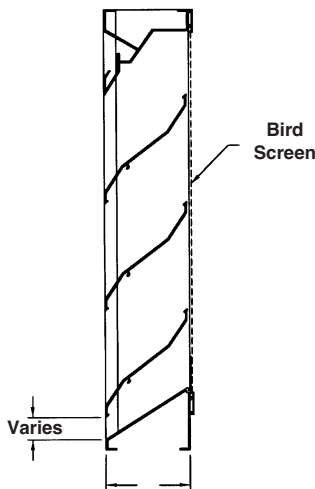
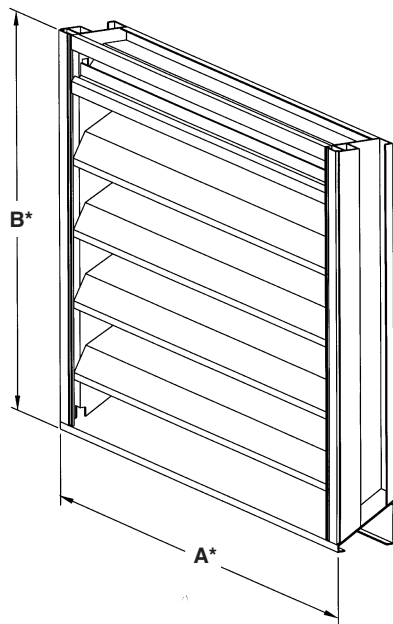




6375Z and 6375Z125 STATIONARY LOUVERS

EXTRUDED ALUMINUM



STANDARD CONSTRUCTION

FRAME
6" (152) deep, 6063T5 extruded aluminum. 6375Z - .081" (2.1) nominal wall thickness. 6375Z125 - .125" (3.2) nominal wall thickness. Downspouts and caulking surfaces provided.

BLADES
6063T5 extruded aluminum. 6375Z - .081" (2.1) nominal wall thickness. 6375Z125 - .125" (3.2) nominal wall thickness. Blades are positioned at 37¹/₂° angle and spaced approximately 5²⁹/₃₂" (150) center to center.

SCREEN
3/4" x .051" (19 x 1.3) expanded, flattened aluminum bird screen in removable frame. Screen adds approximately 1/2" (13) to louver depth.

FINISH
Mill.

MINIMUM SIZE
12"w x 12"h (305 x 305).

APPROXIMATE SHIPPING WEIGHT
6375Z - 4 lbs./ft.² (19.5 kg/m²).
6375Z125 - 6 lbs./ft.² (29.3 kg/m²).

MAXIMUM FACTORY ASSEMBLY SIZE
Shall be 75 sq. ft. (7m²) per section, not to exceed 120"w x 90"h (3048 x 2286) or 90"w x 120"h (2286 x 3048). Louvers larger than the maximum factory assembly size will require field assembly of smaller sections.

SUPPORTS
Louvers may be provided with rear mounted blade supports that increase overall louver depth depending on louver size, assembly configuration or windload.

Consult Reliable for additional information.

FEATURES

- The 6375Z and 6375Z125 offer:
- 55% Free Area.
 - Published performance ratings based on testing in accordance with AMCA Publication 511.
 - High performance frame system with drainable head collects and removes water to provide excellent water penetration performance.
 - Architecturally styled, hidden mullions allowing continuous line appearance up to 120" (3048).
 - Aluminum construction for low maintenance and high resistance to corrosion.
 - All welded construction.

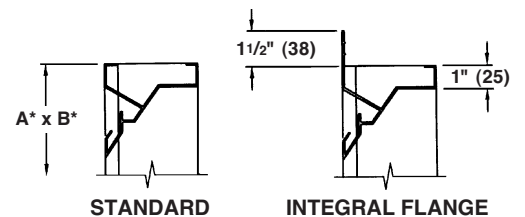
VARIATIONS

Variations to the basic design of these louvers are available at additional cost. They include:

- Extended sill.
- Hinged frame.
- Front or rear security bars.
- Filter racks.
- A variety of bird and insect screens.
- Selection of finishes: prime coat, baked enamel (modified fluoropolymer), epoxy, Acrodize, Kynar, clear and color anodize. (Some variation in anodize color consistency is possible.)

Consult Reliable for other special requirements.

FRAME CONSTRUCTION



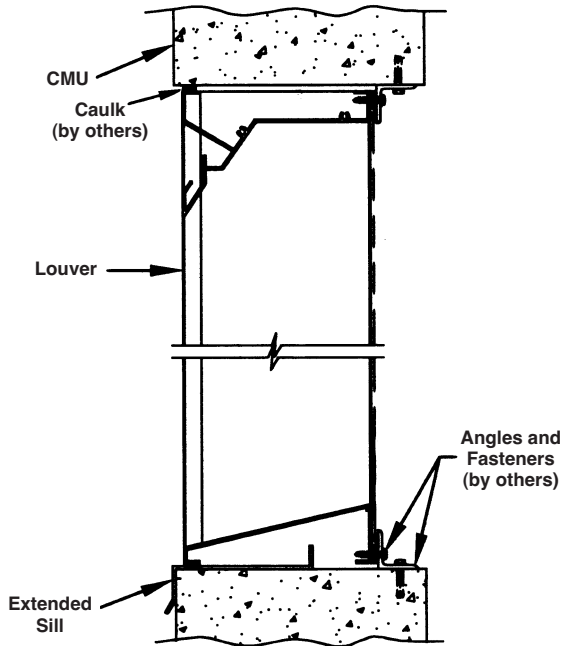
Dimensions in inches, parenthesis () indicate millimeters.

*Units furnished 1/4" (6) smaller than given opening dimensions.

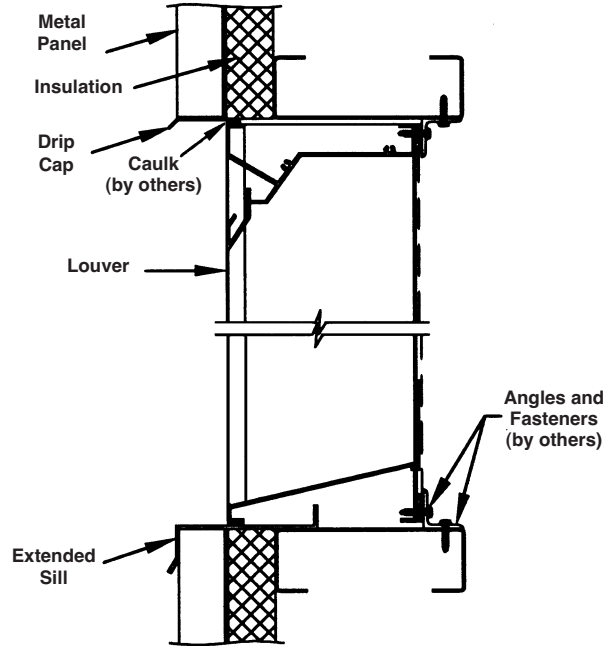
TAG	QTY.	SIZE		FRAME	VARIATIONS
		A*-WIDE	B*-HIGH		
PROJECT ARCH./ENGR. REPRESENTATIVE			LOCATION CONTRACTOR DATE		

TYPICAL INSTALLATION DETAILS

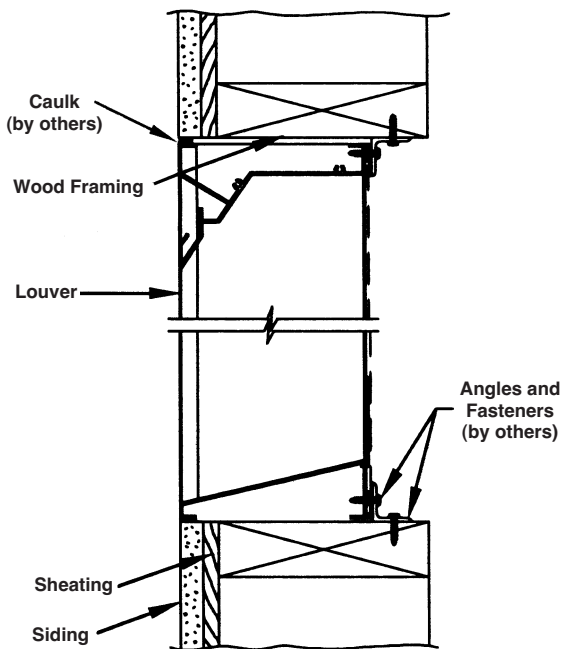
Masonry Wall



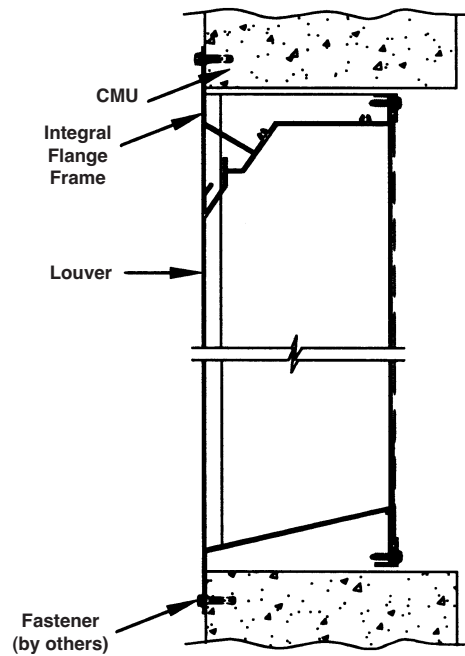
Metal Panel Wall



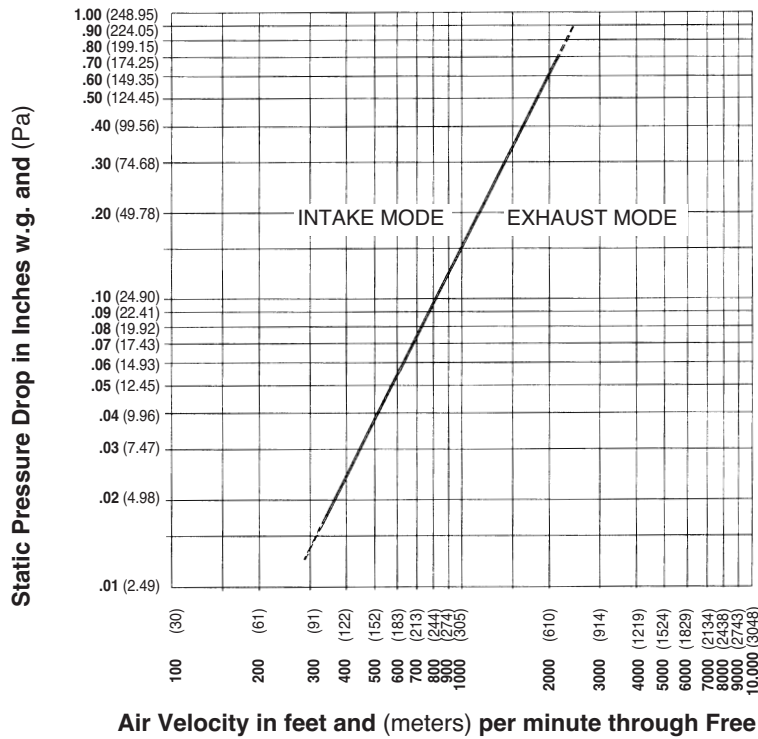
Wood Installation



Flange Mount



PRESSURE DROP



RELIABLE

**6375Z
6375Z125**

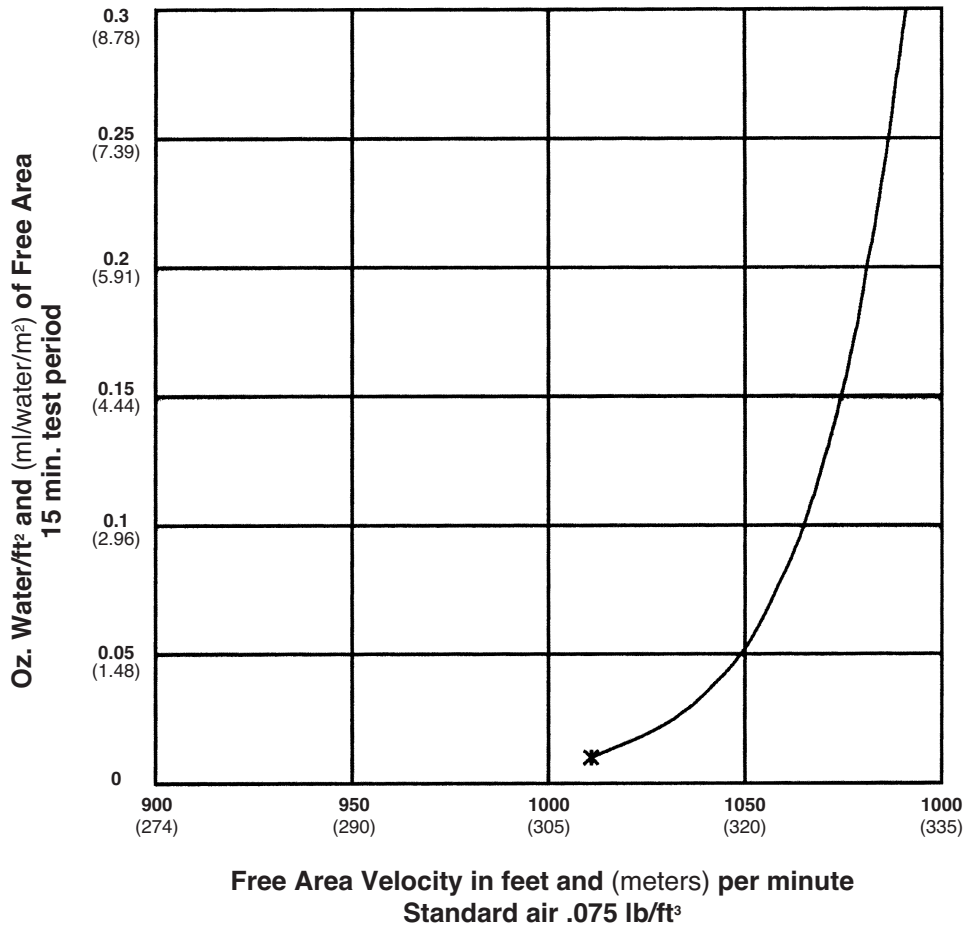
Notes:

1. Data corrected to standard air density.
2. Tested to AMCA Figure 5.5.

WATER PENETRATION GRAPH

Test size 48" wide x 48" high (1219 x 1219)

Beginning point of water penetration at .01 oz./sq. ft. is 1010 fpm (245 m/min).



Ratings do not include the effect of a bird screen.



Reliable Products certifies that the 6375Z and 6375Z125 Louvers shown herein are licensed to bear the AMCA Seal. The ratings shown are based on tests and procedures performed in accordance with AMCA Publication 511 and comply with the requirements of the AMCA Certified Ratings Program. The AMCA Certified Ratings Seal applies to air performance ratings and water penetration ratings only.



6375Z
6375Z125

SUGGESTED SPECIFICATION

Furnish and install louvers as hereinafter specified where shown on plans or as described in schedules. Louvers shall be stationary type with downspouts in jambs and mullions. Louvers shall have a minimum of 54% free area based on a 48" wide x 48" high (1219 x 1219) size. Stationary blades shall be contained within a 4" (102) frame. Louver components (heads, jambs, sills, blades, & mullions) shall be factory assembled by the louver manufacturer. Louver sizes too large for shipping shall be built up by the contractor from factory assembled louver sections to provide overall sizes required. Louver design shall limit span between visible mullions to 10 feet (3) and shall incorporate structural supports required to withstand a wind load of 20 lbs. per sq. ft. (.96kPa) (equivalent of a 90 mph [145 KPH] wind – specifier may substitute any loading required).

Louvers shall be Reliable Model 6375Z or 6375Z125 extruded 6063T5 aluminum alloy construction as follows:

- Frame: 6" (152) deep, 6063T5 extruded aluminum. 6375Z – .081" (2.1) nominal wall thickness. 6375Z125 – .125" (3.2) nominal wall thickness.
- Blades: 6375Z – .081" (2.1) nominal wall thickness. 6375Z125 – .125" (3.2) nominal wall thickness. Blades positioned at 37¹/₂° angle and spaced approximately 5²⁹/₃₂" (150) center to center.
- Screen: 3/4" x .051 (19 x 1.3) expanded, flattened aluminum in removable frame.
- Finish: Select finish specification from Reliable Finishes Brochure.

Published louver performance data bearing the AMCA Certified Ratings Seal for Air Performance & Water Penetration must be submitted for approval prior to fabrication and must demonstrate pressure drop and water penetration equal to or less than the Reliable model specified.

PERFORMANCE DATA

AMCA Standard 500 provides a reasonable basis for testing and rating louvers. Testing to AMCA 500 is performed under a certain set of laboratory conditions. This does not guarantee that other conditions will not occur in the actual environment where louvers must operate.

The louver system should be designed with a reasonable safety factor for louver performance. To ensure protection from water carry-over, design with a performance level somewhat below maximum desired pressure drop and .01 oz. of water penetration.

FREE AREA GUIDE

Free Area Guide shows free area in ft² and m² for various sizes of 6375Z and 6375Z125.
Width – Inches and Meters

	12	18	24	30	36	42	48	54	60	66	72	78	84	90	96	102	108	114	120
	0.30	0.46	0.61	0.76	0.91	1.07	1.22	1.37	1.52	1.68	1.83	1.98	2.13	2.29	2.44	2.59	2.74	2.90	3.05
12	0.31	0.50	0.69	0.88	1.07	1.26	1.45	1.63	1.81	2.01	2.20	2.39	2.58	2.77	2.96	3.15	3.34	3.49	3.71
0.30	0.03	0.05	0.06	0.08	0.10	0.12	0.13	0.15	0.17	0.19	0.20	0.22	0.24	0.26	0.28	0.29	0.31	0.32	0.34
18	0.58	0.94	1.28	1.63	1.98	2.32	2.68	3.03	3.38	3.73	4.08	4.43	4.78	5.13	5.48	5.83	6.18	6.53	6.88
0.46	0.05	0.09	0.12	0.15	0.18	0.22	0.25	0.28	0.31	0.35	0.38	0.41	0.44	0.48	.051	0.54	0.57	0.61	0.64
24	0.85	1.36	1.87	2.38	2.89	3.40	3.91	4.42	4.93	5.43	5.94	6.45	6.96	7.47	7.98	8.49	9.00	9.51	10.02
0.61	0.08	0.13	0.17	0.22	0.27	0.32	0.36	0.41	0.46	0.50	0.55	0.60	0.65	0.69	0.74	0.79	0.84	0.88	0.93
30	1.12	1.79	2.46	3.13	3.80	4.47	5.14	5.81	6.48	7.15	7.82	8.49	9.16	9.84	10.51	11.18	11.85	12.52	13.19
0.76	0.10	0.17	0.23	0.29	0.35	0.42	0.48	0.54	0.60	0.66	0.72	0.79	0.85	0.91	0.98	1.04	1.10	1.16	1.23
36	1.39	2.22	3.05	3.88	4.71	5.54	6.38	7.21	8.04	8.87	9.70	10.53	11.37	12.20	13.03	13.86	14.69	15.52	16.36
0.91	0.13	0.21	0.28	0.36	0.44	0.51	0.59	0.67	0.75	0.82	0.90	0.98	1.06	1.13	1.21	1.29	1.37	1.44	1.52
42	1.65	2.65	3.64	4.63	5.63	6.62	7.61	8.60	9.60	10.59	11.58	12.57	13.57	14.56	15.55	16.54	17.54	18.53	19.52
1.07	0.15	0.25	0.34	0.43	0.52	0.62	0.71	0.80	0.89	0.98	1.08	1.17	1.26	1.35	1.45	1.54	1.63	1.72	1.81
48	1.92	3.08	4.23	5.38	6.54	7.69	8.85	10.00	11.15	12.31	13.46	14.61	15.77	16.92	18.08	19.23	20.38	21.54	22.69
1.22	0.18	0.29	0.39	0.50	0.61	0.71	0.82	0.93	1.04	1.14	1.25	1.36	1.47	1.57	1.68	1.79	1.89	2.00	2.11
54	2.19	3.51	4.82	6.14	7.45	8.77	10.08	11.40	12.71	14.02	15.34	16.65	17.97	19.28	20.60	21.91	23.23	24.54	25.86
1.37	0.20	0.33	0.45	0.57	0.69	0.81	0.94	1.06	1.18	1.30	1.43	1.55	1.67	1.79	1.91	2.04	2.16	2.28	2.40
60	2.46	3.94	5.41	6.89	8.36	9.84	11.32	12.79	14.27	15.74	17.22	18.69	20.17	21.65	23.12	24.60	26.07	27.55	29.03
1.52	0.23	0.37	0.50	0.64	0.78	0.91	1.05	1.19	1.33	1.46	1.60	1.74	1.87	2.01	2.15	2.29	2.42	2.56	2.70
66	2.73	4.37	6.00	7.64	9.28	10.91	12.55	14.19	15.82	17.46	19.10	20.73	22.37	24.01	25.65	27.28	28.92	30.56	32.19
1.68	0.25	0.41	0.56	0.71	0.86	1.01	1.17	1.32	1.47	1.62	1.77	1.93	2.08	2.23	2.38	2.54	2.69	2.84	2.99
72	3.00	4.79	6.59	8.39	10.19	11.99	13.78	15.58	17.38	19.18	20.98	22.77	24.57	26.37	28.17	29.97	31.76	33.56	35.36
1.83	0.28	0.45	0.61	0.78	0.95	1.11	1.28	1.45	1.62	1.78	1.95	2.12	2.28	2.45	2.62	2.79	2.95	3.12	3.29
78	3.27	5.22	7.18	9.14	11.10	13.06	15.02	16.98	18.94	20.90	22.86	24.81	26.77	28.73	30.69	32.65	34.61	36.57	38.53
1.98	0.30	0.49	0.67	0.85	1.03	1.21	1.40	1.58	1.76	1.94	2.12	2.31	2.49	2.67	2.85	3.03	3.22	3.40	3.58
84	3.53	5.65	7.77	9.89	12.01	14.13	16.25	18.37	20.49	22.61	24.73	26.85	28.98	31.10	33.22	35.34	37.46	39.58	41.70
2.13	0.33	0.53	0.72	0.92	1.12	1.31	1.50	1.71	1.90	2.10	2.30	2.50	2.69	2.89	3.09	3.28	3.48	3.68	3.88
90	3.80	6.08	8.36	10.65	12.93	15.21	17.49	19.77	22.05	24.33	26.61	28.90	31.18	33.46	35.74	38.02	40.30	42.58	44.86
2.29	0.35	0.57	0.78	0.99	1.20	1.41	1.63	1.84	2.05	2.26	2.47	2.69	2.90	3.11	3.32	3.53	3.75	3.96	4.17

Height – Inches and Meters