

245D

Drainable Thin Line Stationary Louver

Extruded Aluminum



APPLICATION

The 245D is a 2" deep, extruded aluminum, mechanically fastened, thinline drainable, stationary louver designed to protect air intake and exhaust opening on exterior walls. This louver is designed with a drainable gutter system channeling water from the blades to downspouts in the jambs. Here, water is exhausted out of the front of the louver.

STANDARD CONSTRUCTION

Frame	2" (51) deep 6063T6 extruded aluminum, .060" (1.5) nominal wall thickness. Downspouts and caulking surfaces provided.
Blades	6063T6 extruded aluminum, .060" (1.5) nominal wall thickness. Drainable blades are positioned at 45° angle and spaced approximately 3 3/16" (81) center to center.
Screen	5/8" x .040" (16 x 1.02) expanded, flattened aluminum bird screen in removable frame. Screen adds approximately 1/2" (13) to louver depth.
Finish	Mill.
Approximate Shipping Weight	2 lbs. per sq. ft. (9.8 kg/m ²).
Minimum Size	6"w x 10"h (152 x 254).
Maximum Factory Assembly Size	Shall be 75 sq. ft. (7m ²) per section, not to exceed 120"w x 90"h (3048 x 2286) or 90"w x 120"h (2286 x 3048). Louvers larger than the maximum factory assembly size will require field assembly of smaller sections.
Supports	Louvers may be provided with rear mounted Hidden Vertical Blade Supports that increase overall louver depth depending on louver size, assembly configuration or windload.

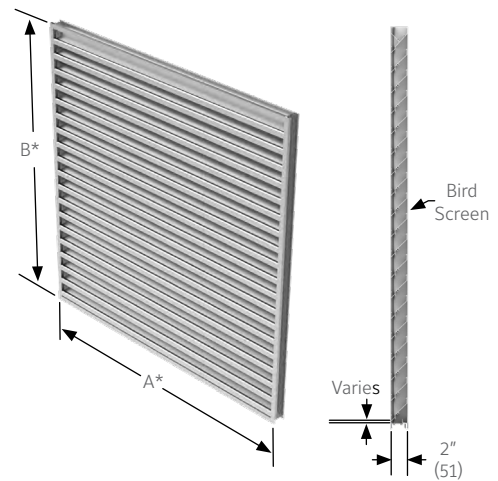
Consult Reliable for additional information.

FEATURES

- 38% Free Area.
- Published performance ratings based on testing in accordance with AMCA Publication 511.
- High performance frame system.
- Drain gutter in the head frame and each blade; downspouts in jambs and mullions to drain water and escape the sill.
- Beginning point of water penetration at .01 oz sq/ft. is 1197 FPM.
- Windload 30 psf.
- Architecturally styled, hidden mullions allowing continuous blade appearance up to 120" (3048).
- All aluminum construction for low maintenance and high resistance to corrosion.

Note:

- Dimensions in inches, parenthesis () indicate millimeters.
- Units furnished 1/4" (6) smaller than given opening dimensions.



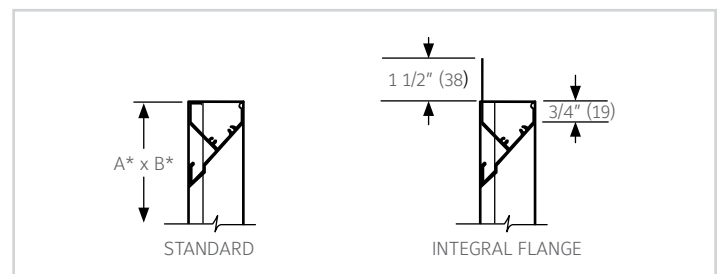
VARIATIONS

Variations to the basic design of these louvers are available at additional cost. They include:

- Extended sill.
- Hinged frame.
- Glazing frame.
- Triangular or round design.
- Universal sleeve.
- Blank off panels.
- Front or rear security bars.
- Filter racks.
- Installation angles.
- A variety of bird and insect screens.
- Please provide rough opening dimensions for "A" and "B" dimensions. unless ordered as actual size, the louver will be provided 1/2" (12) smaller than "A" and "B" dimensions provided.
- Selection of finishes: Prime coat, 50% PVDF (modified fluoropolymer), Epoxy, Pearledize, 70% PVDF, Clear and color anodize. (Some variation in anodize color consistency is possible)

Consult Reliable for other special requirements.

FRAME CONSTRUCTION

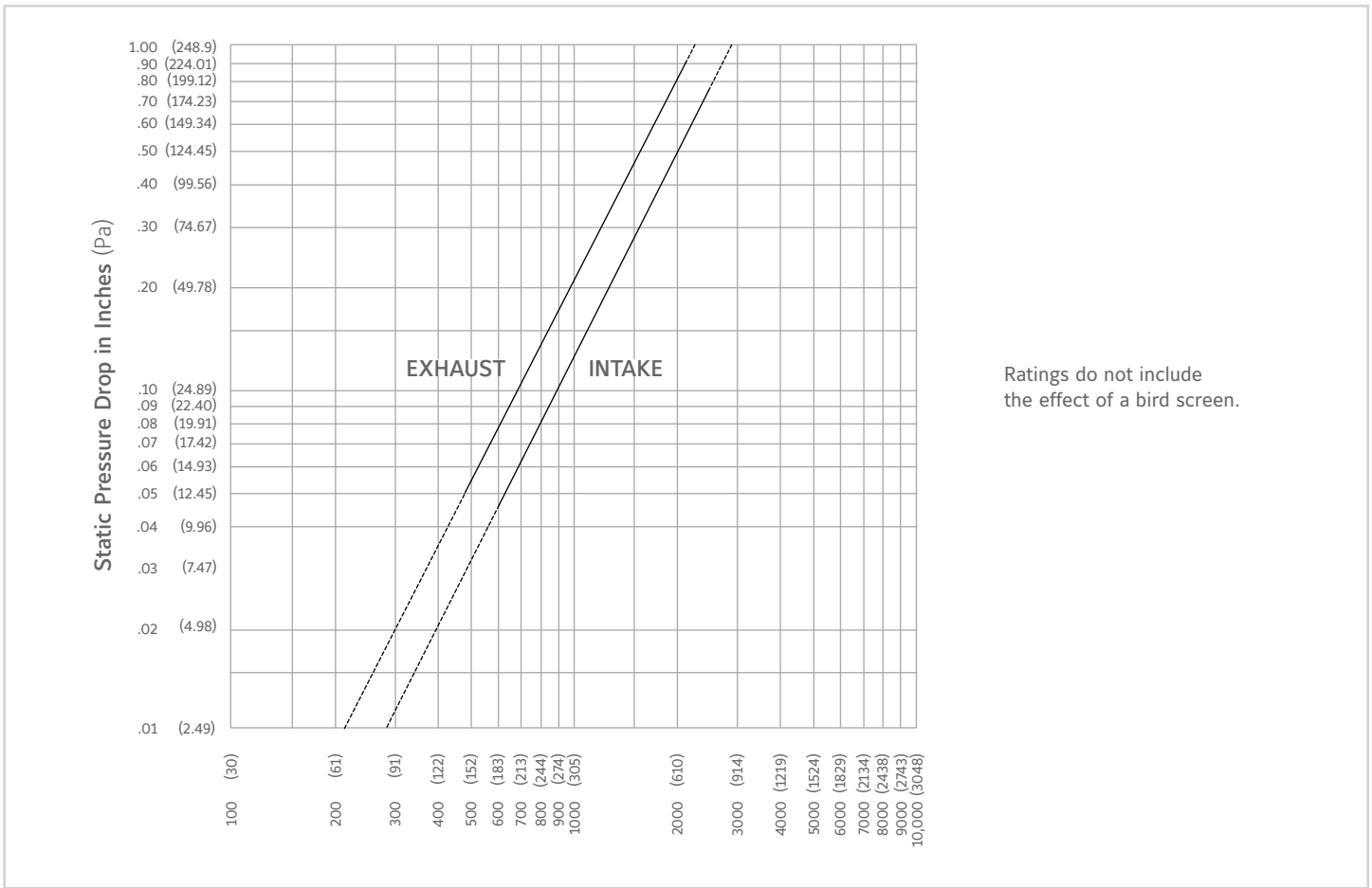


FREE AREA GUIDE

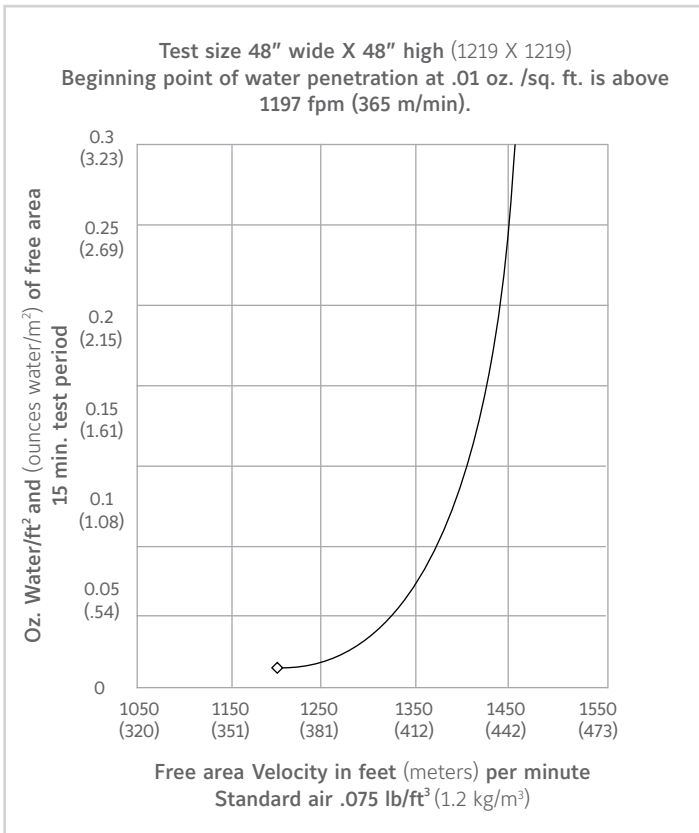
Free Area Guide shows free area in ft² and m² for various sizes of 245D.

		Width – Inches and Meters																			
		12	18	24	30	36	42	48	54	60	66	72	78	84	90	96	102	108	114	120	
		0.30	0.45	0.60	0.75	0.90	1.05	1.20	1.35	1.50	1.65	1.80	1.95	2.10	2.25	2.40	2.55	2.70	2.85	3.00	
Height – Inches and Meters	12	0.30	0.15	0.25	0.35	0.44	0.54	0.63	0.73	0.82	0.92	1.01	1.11	1.20	1.30	1.39	1.49	1.58	1.68	1.77	1.87
	0.30	0.01	0.02	0.03	0.04	0.05	0.06	0.07	0.08	0.09	0.09	0.10	0.11	0.12	0.13	0.14	0.15	0.16	0.16	0.17	0.17
	18	0.45	0.31	0.50	0.69	0.88	1.07	1.26	1.45	1.64	1.83	2.03	2.22	2.41	2.60	2.79	2.98	3.17	3.36	3.55	3.74
	0.45	0.03	0.05	0.06	0.08	0.10	0.12	0.14	0.15	0.17	0.19	0.21	0.22	0.24	0.26	0.28	0.29	0.31	0.33	0.33	0.35
	24	0.60	0.54	0.87	1.20	1.53	1.86	2.19	2.52	2.86	3.19	3.52	3.85	4.18	4.51	4.84	5.17	5.50	5.83	6.17	6.50
	0.60	0.05	0.08	0.11	0.14	0.17	0.20	0.23	0.27	0.30	0.33	0.36	0.39	0.42	0.45	0.48	0.51	0.54	0.57	0.57	0.60
	30	0.75	0.69	1.12	1.55	1.97	2.40	2.83	3.25	3.68	4.10	4.53	4.96	5.38	5.81	6.24	6.66	7.09	7.52	7.94	8.37
	0.75	0.06	0.10	0.14	0.18	0.22	0.26	0.30	0.34	0.38	0.42	0.46	0.50	0.54	0.58	0.62	0.66	0.70	0.74	0.74	0.78
	36	0.90	0.92	1.49	2.05	2.62	3.19	3.76	4.32	4.89	5.46	6.02	6.59	7.16	7.72	8.29	8.86	9.42	9.99	10.56	11.12
	0.90	0.09	0.14	0.19	0.24	0.30	0.35	0.40	0.45	0.51	0.56	0.61	0.67	0.72	0.77	0.82	0.88	0.93	0.98	0.98	1.03
	42	1.05	1.08	1.74	2.40	3.06	3.73	4.39	5.05	5.71	6.37	7.04	7.70	8.36	9.02	9.69	10.35	11.01	11.67	12.34	13.00
	1.05	0.10	0.16	0.22	0.28	0.35	0.41	0.47	0.53	0.59	0.65	0.72	0.78	0.84	0.90	0.96	1.02	1.09	1.15	1.15	1.21
	48	1.20	1.30	2.11	2.91	3.71	4.52	5.32	6.12	6.92	7.73	8.53	9.33	10.13	10.94	11.74	12.54	13.35	14.15	14.95	15.75
	1.20	0.12	0.20	0.27	0.35	0.42	0.49	0.57	0.64	0.72	0.79	0.87	0.94	1.02	1.09	1.17	1.24	1.32	1.39	1.39	1.47
	54	1.35	1.46	2.36	3.26	4.15	5.05	5.95	6.85	7.75	8.64	9.54	10.44	11.34	12.24	13.14	14.03	14.93	15.83	16.73	17.63
	1.35	0.14	0.22	0.30	0.39	0.47	0.55	0.64	0.72	0.80	0.89	0.97	1.05	1.14	1.22	1.31	1.39	1.47	1.56	1.56	1.64
60	1.50	1.61	2.61	3.60	4.60	5.59	6.58	7.58	8.57	9.56	10.56	11.55	12.54	13.54	14.53	15.52	16.52	17.51	18.51	19.50	
1.50	0.15	0.24	0.33	0.43	0.52	0.61	0.70	0.80	0.89	0.98	1.07	1.17	1.26	1.35	1.44	1.54	1.63	1.72	1.72	1.81	
66	1.66	1.84	2.98	4.11	5.24	6.38	7.51	8.65	9.78	10.91	12.05	13.18	14.32	15.45	16.58	17.72	18.85	19.99	21.12	22.25	
1.66	0.17	0.28	0.38	0.49	0.59	0.70	0.80	0.91	1.02	1.12	1.23	1.33	1.44	1.54	1.65	1.75	1.86	1.96	1.96	2.07	
72	1.80	2.00	3.23	4.46	5.69	6.92	8.14	9.37	10.60	11.83	13.06	14.29	15.52	16.75	17.98	19.21	20.44	21.67	22.90	24.13	
1.80	0.19	0.30	0.41	0.53	0.64	0.76	0.87	0.99	1.10	1.21	1.33	1.44	1.56	1.67	1.79	1.90	2.02	2.13	2.13	2.24	
78	1.95	2.23	3.60	4.97	6.34	7.71	9.08	10.44	11.81	13.18	14.55	15.92	17.29	18.66	20.03	21.40	22.77	24.14	25.51	26.88	
1.95	0.21	0.33	0.46	0.59	0.72	0.84	0.97	1.10	1.23	1.35	1.48	1.61	1.74	1.86	1.99	2.12	2.25	2.37	2.37	2.50	
84	2.10	2.38	3.85	5.31	6.78	8.24	9.71	11.17	12.64	14.10	15.57	17.03	18.50	19.96	21.43	22.89	24.36	25.83	27.29	28.76	
2.10	0.22	0.36	0.49	0.63	0.77	0.90	1.04	1.18	1.31	1.45	1.58	1.72	1.86	1.99	2.13	2.27	2.40	2.54	2.54	2.67	
90	2.25	2.61	4.21	5.82	7.43	9.03	10.64	12.24	13.85	15.45	17.06	18.67	20.27	21.88	23.48	25.09	26.69	28.30	29.91	31.51	
2.25	0.24	0.39	0.54	0.69	0.84	0.99	1.14	1.29	1.44	1.59	1.74	1.89	2.03	2.18	2.33	2.48	2.63	2.78	2.78	2.93	
96	2.40	2.76	4.47	6.17	7.87	9.57	11.27	12.97	14.67	16.37	18.07	19.78	21.48	23.18	24.88	26.58	28.28	29.98	31.68	33.38	
2.40	0.26	0.42	0.57	0.73	0.89	1.05	1.21	1.36	1.52	1.68	1.84	2.00	2.16	2.31	2.47	2.63	2.79	2.95	2.95	3.10	
102	2.55	2.99	4.83	6.68	8.52	10.36	12.20	14.04	15.88	17.72	19.57	21.41	23.25	25.09	26.93	28.77	30.62	32.46	34.30	36.14	
2.55	0.28	0.45	0.62	0.79	0.96	1.13	1.31	1.48	1.65	1.82	1.99	2.16	2.33	2.50	2.68	2.85	3.02	3.19	3.19	3.36	
108	2.70	3.15	5.08	7.02	8.96	10.90	12.83	14.77	16.71	18.64	20.58	22.52	24.45	26.39	28.33	30.26	32.20	34.14	36.08	38.01	
2.70	0.29	0.47	0.65	0.83	1.01	1.19	1.37	1.55	1.73	1.91	2.09	2.27	2.45	2.63	2.81	2.99	3.17	3.36	3.36	3.54	
114	2.85	3.38	5.45	7.53	9.61	11.69	13.76	15.84	17.92	19.99	22.07	24.15	26.23	28.30	30.38	32.46	34.54	36.61	38.69	40.77	
2.85	0.31	0.51	0.70	0.89	1.09	1.28	1.47	1.67	1.86	2.05	2.25	2.44	2.63	2.83	3.02	3.21	3.41	3.60	3.60	3.79	
120	3.00	3.53	5.70	7.88	10.05	12.22	14.39	16.57	18.74	20.91	23.09	25.26	27.43	29.60	31.78	33.95	36.12	38.30	40.47	42.64	
3.00	0.33	0.53	0.73	0.93	1.14	1.34	1.54	1.74	1.94	2.15	2.35	2.55	2.75	2.96	3.16	3.36	3.56	3.76	3.76	3.97	

PRESSURE DROP

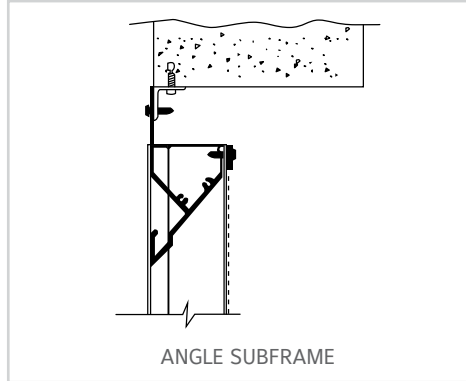
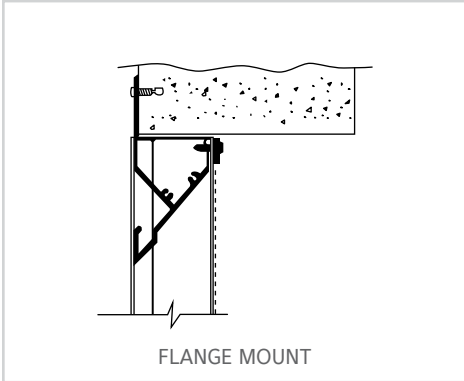
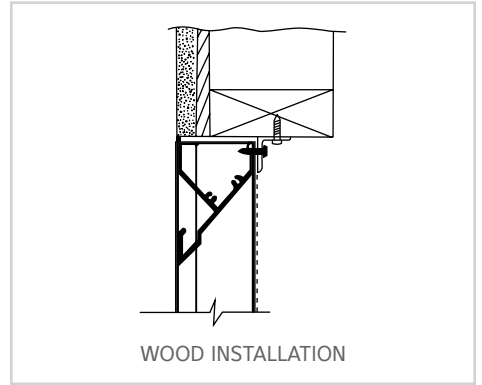
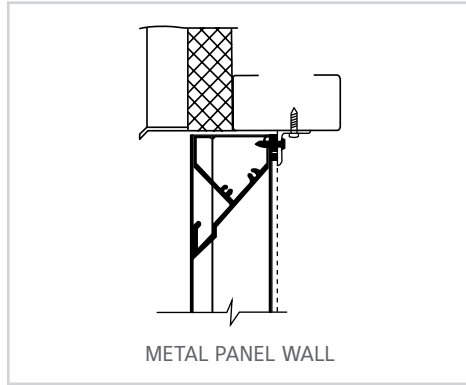
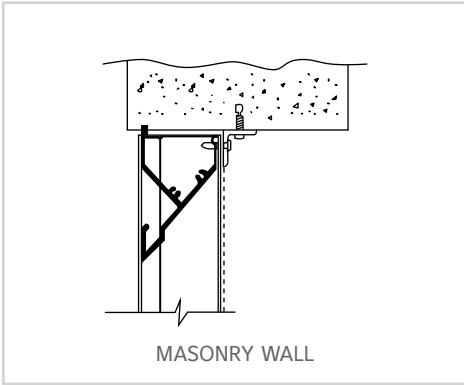


WATER PENETRATION GRAPH

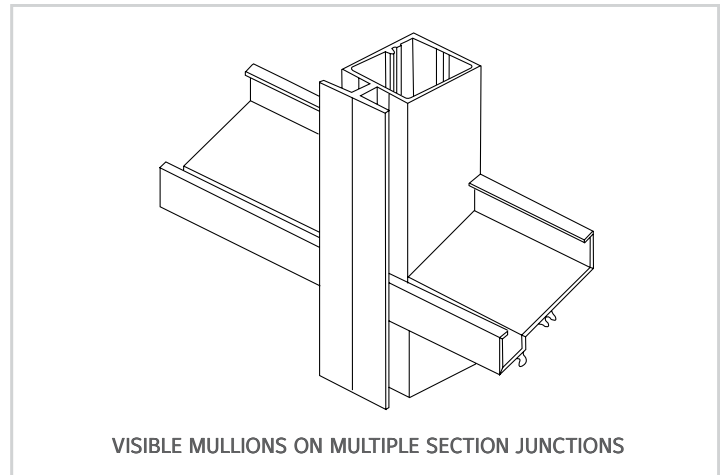
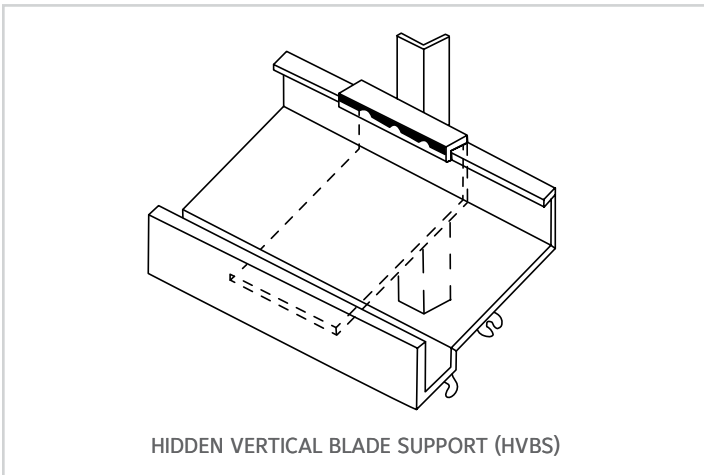
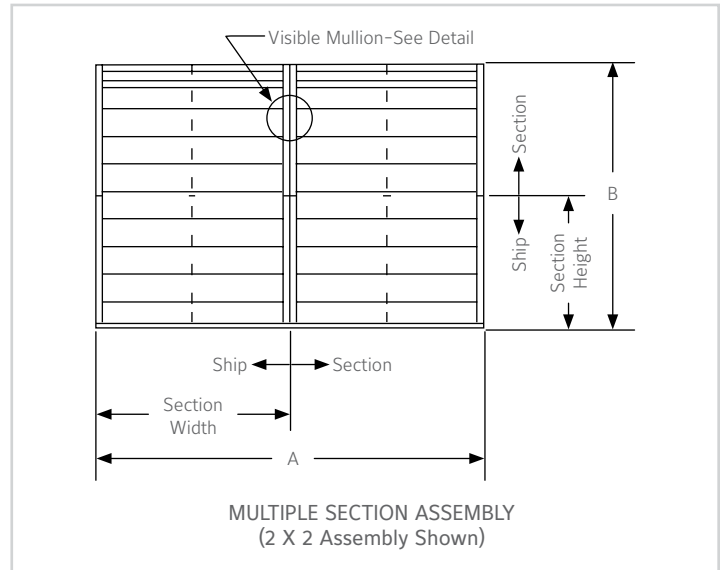
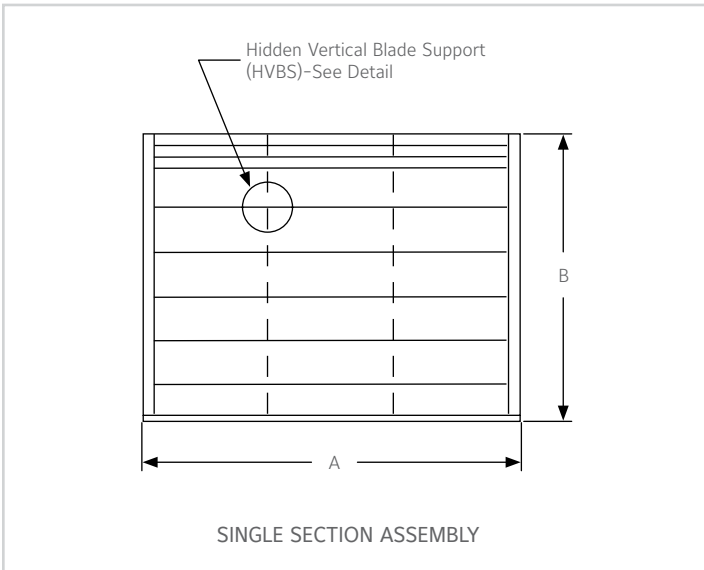


Reliable Company certifies that the Louvers shown herein are licensed to bear the AMCA Seal. The ratings shown are based on tests and procedures performed in accordance with AMCA Publication 511 and comply with the requirements of the AMCA Certified Ratings Program. The AMCA Certified Ratings Seal applies to air performance and water penetration ratings only.

TYPICAL INSTALLATION DETAILS



STANDARD CONSTRUCTION DETAILS



NOTES:

1. Max. section size is 120" wide x 90" high or 90" wide x 120" high. Louvers larger than these sizes will be provided in multiple sections for field assembly.
2. Hidden Vertical Blade Support (HVBS) depth and c-c spacing varies depending on louver size, assembly configuration or windload.

SUGGESTED SPECIFICATION

Furnish and install louvers as hereinafter specified where shown on plans or as described in schedules. Louvers shall be stationary type. Louvers shall have a minimum of 38% free area based on a 48" wide x 48" high (1219 x 1219) size. Stationary blades shall be contained within a 2" (51) frame. Louver components (heads, jamba, sills, blades, and mullions) shall be factory assembled by the louver manufacturer. Louver sizes too large for shipping shall be built up by the contractor from factory assembled louver sections to provide overall sizes required. Louver design shall incorporate structural supports required to withstand a wind load of 30 lbs. per sq. ft. (1.44kPa) (equivalent of a 110 mph wind [177 KPH] - specifier may substitute any loading required).

Louvers shall be Reliable Model 245D extruded 6063T6 aluminum alloy construction as follows:

Frame: 2" (51) deep .060" (1.5) wall thickness.

Blades: .060" (1.5) nominal wall thickness. Blades are positioned at 45° angle and spaced approximately 3 3/16" (81) center to center.

Screen: 5/8" x .040" (16 x 1.02) expanded, flattened aluminum in removable frame.

Finish: Select finish specification from Reliable Finishes Brochure.

Published louver performance data derived from testing in accordance with AMCA 500-L for Air Performance must be submitted for approval prior to fabrication and must demonstrate pressure drop equal to or less than the Reliable model specified.

LINKS TO IMPORTANT DOCUMENTS

Document Title

Finishes and Color Guide

Limited Warranty Document

RELIABLE

1300 Enterprise Road, P.O. Box
580, Geneva, Alabama 36340
Tel: 334-684-3621
Tel: 800-624-3914
Fax: 800-508-1469