

# MODEL EA-200

Extruded Aluminum Louver • 2" Deep • 45° Baffle Blades • Stationary • Modified Flange Frame

### Standard Materials and Construction

**FRAME:** .063" thick (nominal) extruded aluminum, 6063-T52/T6 alloy.

**BLADE:** .063" thick (nominal) extruded aluminum, 6063-T52/T6 alloy.  
Blades approximately 2¾" on center.

**LOUVER FACE:** Full sill, with blades and head contained in jams.

**SCREEN:** (When indicated.)

½" flattened aluminum (.051" thick),

-or- ½" sq. mesh, intermediate double-crimped aluminum wire,

.063" dia.,

-or- 18/16 mesh, .011" dia. aluminum wire, insect screen.

**FINISH:** Mill

### Options

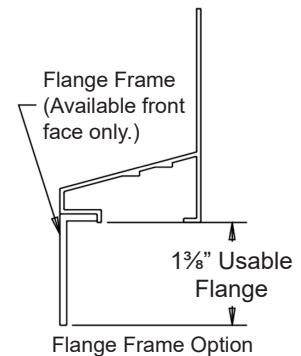
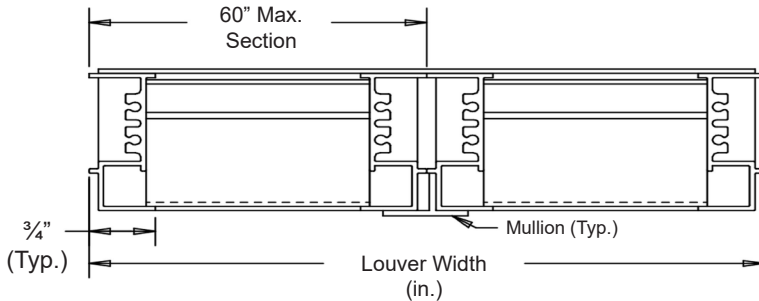
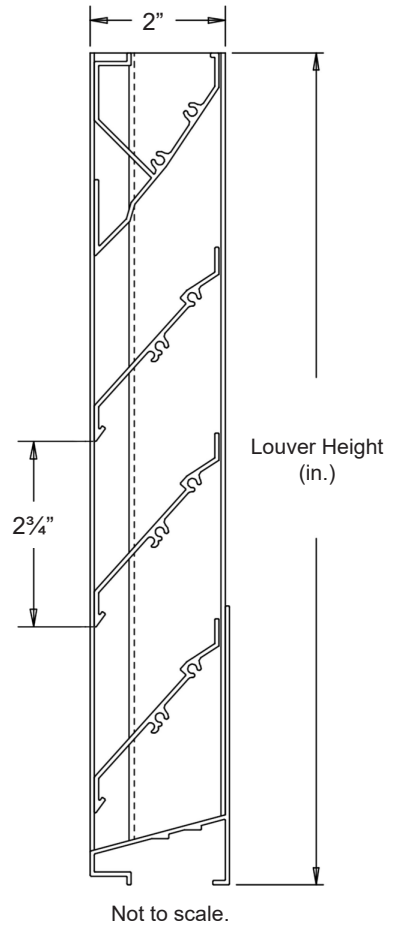
Finish - Baked Enamel, Kynar, Anodize

### Notes

1. Nominal deductions will be made to the opening size given.
2. Approximate shipping weight is 3.8 lbs./sq.ft.

### Louver Sizes

Min Panel	Max Single Panel
12"W x 12"H	60"W x 96"H



Item #	Qty	Width	Height	Width	Height	Mullion	Type	Location	Union Made
		Opening Size		Louver Size			Screens		
Arch. / Eng.:						EDR:	ECN:	Job:	
Contractor:									
Project:						Date:	DWN:	DWG:	



# MODEL EA-200

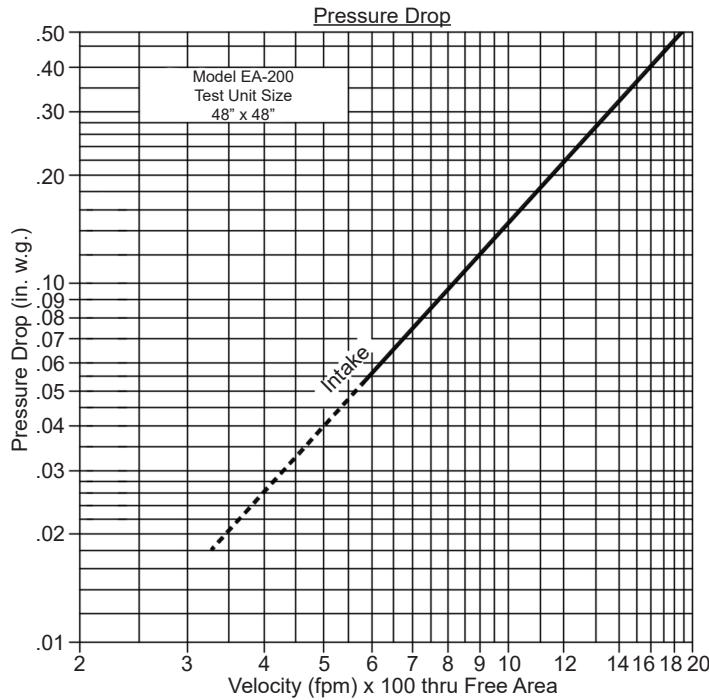
Extruded Aluminum Louver • 2" Deep • 45° Baffle Blades • Stationary • Modified Flange Frame

## Performance Data

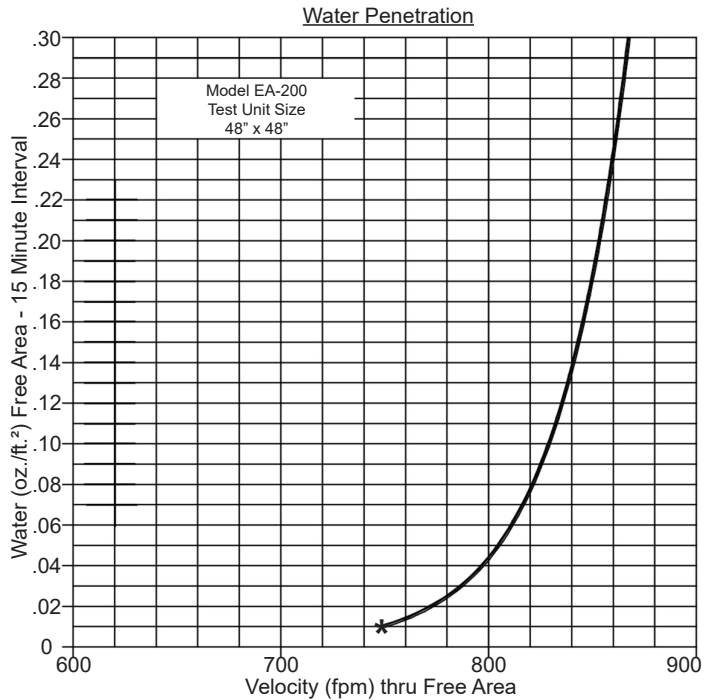
Pressure Drop: 0.9 in. w.g. at 750 fpm (intake)  
 Free Area: 7.23 sq.ft. = 45% for 48"W x 48"H sample tested in accordance with AMCA Standard 500-L.

Beginning Point of Water Penetration: 748 (fpm)

Ratings do not include effects of a screen.



Intake air converted to standard air density.  
 Tested to AMCA Standard 500-L, Figure 5.5.



748 (FPM) Beginning Point of Water Penetration

		Free Area (sq.ft.)								
		Width (in.)								
		12"	18"	24"	30"	36"	42"	48"	54"	60"
Height (in.)	12"	.28	.44	.60	.76	.92	1.08	1.24	1.40	1.56
	24"	.78	1.23	1.69	2.14	2.59	3.04	3.49	3.94	4.39
	36"	1.19	1.87	2.55	3.23	3.91	4.60	5.28	5.96	6.64
	48"	1.63	2.56	3.50	4.43	5.37	6.30	7.23	8.17	9.11
	60"	2.05	3.23	4.41	5.59	6.77	7.95	9.14	10.32	11.50
	72"	2.45	3.86	5.27	6.68	8.09	9.50	10.91	12.32	13.73
	84"	2.94	4.63	6.32	8.01	9.70	11.39	13.08	14.77	16.46
	96"	3.36	5.29	7.22	9.15	11.08	13.00	14.93	16.86	18.79



Arrow United Industries certifies that the Model EA-200 shown herein is licensed to bear the AMCA Seal. The ratings shown are based on tests and procedures performed in accordance with AMCA Publication 511 and comply with the requirements of the AMCA Certified Ratings Program. The AMCA Certified Ratings Seal applies to Air Performance and Water Penetration ratings only.