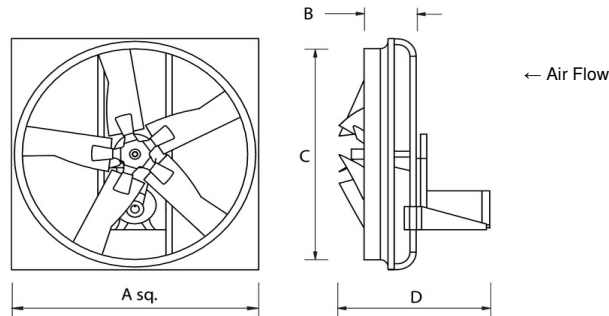


# 1SDE SERIES

Standard Duty Exhaust Wall Fan



Model	A	B	C	D	Venturi Gauge	Shaft Dia.
1SDE 24	28 (711)	7 1/8 (181)	24 3/8 (619)	23 1/4 (591)	18	7/8 (22)
1SDE 30	34 (864)	8 3/4 (222)	30 1/2 (775)	24 1/4 (616)	18	7/8 (22)
1SDE 36	40 (1016)	8 7/16 (214)	36 1/2 (927)	26 1/4 (667)	18	7/8 (22)
1SDE 42	46 (1168)	9 1/16 (230)	42 3/4 (1086)	29 1/4 (743)	18	7/8 (22)
1SDE 48	54 (1372)	9 3/4 (248)	48 3/4 (1238)	32 1/8 (816)	18	7/8 (22)

Dimensions are in inches (mm)

## Specification data

Model	Rated Power	RPM	Max BHP	0.0" Ps	0.125" Ps	0.25" Ps	0.375" Ps	Sones† @ 0.125"Ps	Shipping weight	Motor type	Item #	Motor type	Item #
	HP			BHP	cfm								
1SDE 24	1/4	650	0.32	5120	4195	2160	-	12.7	37	BB		-	
	1/3	710	0.44	5595	4775	2830	1650	13.6	37	CB		-	
	1/2	835	0.66	6580	5910	4970	3100	16.7	37	DB		DX	
	3/4	945	0.93	7445	6870	6200	4800	19.2	37	EB		EX	
1SDE 30	1/4	470	0.27	6895	4950	-	-	14.1	44	BB		-	
	1/3	500	0.35	7335	6505	2320	-	14.3	44	CB		-	
	1/2	585	0.52	8585	7305	4750	-	16.1	44	DB		DX	
	3/4	670	0.80	9830	8805	7120	4130	17.7	44	EB		EX	
1SDE 36	1	720	0.96	10565	9615	8205	5945	19.5	44	FB		FX	
	1/3	415	0.38	10160	7590	-	-	14.1	54	CB		-	
	1/2	485	0.62	11875	9915	5045	-	18.1	54	DB		DX	
	3/4	540	0.88	13220	11490	8565	4215	22.0	54	EB		EX	
	1	605	1.20	14815	13300	11415	6600	26.0	54	FB		FX	
1SDE 42	1 1/2	660	1.53	16160	14805	13215	10400	30.0	54	GB		GX	
	1/2	380	0.57	14515	11040	-	-	15.4	66	DB		DX	
	3/4	430	0.79	16425	13670	6645	-	18.9	66	EB		EX	
	1	460	1.04	17570	15045	8350	4855	21.0	66	FB		FX	
1SDE 48	1 1/2	535	1.51	20435	18345	15480	8530	27.0	66	GB		GX	
	1/2	315	0.49	17060	10790	-	-	15.3	80	DB		DX	
	3/4	370	0.83	20040	15900	6450	-	21.0	80	EB		EX	
	1	400	1.16	21665	18120	8860	3465	23.0	80	FB		FX	
	1 1/2	450	1.50	24375	21345	15700	7640	28.0	80	GB		GX	
	2	470	1.67	25455	22575	17615	9275	30.0	80	-		HX	
	3	500	3.59	26875	24500	20500	12375	25.0	80	-		JX	

†Performance shown is for installation type A: Free inlet, Free outlet. Rating Method "A" (Constant Speed, Transmission Loss Not Included).

Power Rating (watts, kW or BHP) does not include transmission losses.

Performance ratings do not include the effects of shutter and guard.

Speed (RPM) is nominal. Performance is based on actual speed of test.

The sound ratings shown are loudness values in fan sones at 1.5 m (5 ft) in a hemispherical free field calculated per AMCA International Standard 301.

Values shown are for Installation Type A: free inlet hemispherical sone levels.



Systemair Mfg. Inc. certifies that the 1SDE series shown herein is licensed to bear the AMCA seal. The ratings shown are based on tests and procedures performed in accordance with AMCA Publication 211 and AMCA Publication 311 and comply with the requirements of the AMCA Certified Ratings Program.

Catalog series: 1SDE  
Revision date: November 2019