



# 5BDD10 Downblast Roof Fan

10" Belt Drive Downblast Roof Fan



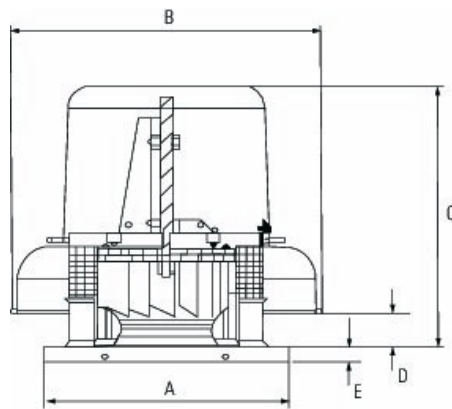
Systemair Mfg. Inc. certifies that the 5BDD series shown herein is licensed to bear the AMCA seal. The ratings shown are based on tests and procedures performed in accordance with AMCA Publication 211 and AMCA Publication 311 and comply with the requirements of the AMCA Certified Ratings Program.

- All ventilators are UL 705 Standard listed
- Durable spun aluminum construction with steel support braces
- Inlet temperatures up to 170°F
- Backward inclined aluminum fan wheel
- Equipped with a built-in bird screen to protect discharge
- Externally cooled motor compartment

Dia. (In.)	HP	Open Dripproof	
		Single Phase	Three Phase
BDD 10 & 13	1/4	BB	-
BDD 12	1/3	CB	-
BDD 13 thru 30	1/2	DB	DX
BDD 15 thru 30	3/4	EB	EX
		1	FB
BDD 15 thru 30	1-1/2	GB	GX
BDD 18 thru 36	2	-	HX
BDD 30 thru 36	3	-	JX
		5	-

Recommended Roof Opening (In.)	
5BDD10	14-1/2 x 14-1/2
5BDD12	17-1/2 x 17-1/2
5BDD13	17-1/2 x 17-1/2
5BDD15	21-1/2 x 21-1/2
5BDD16	21-1/2 x 21-1/2
5BDD18	25-1/2 x 25-1/2
5BDD20	25-1/2 x 25-1/2
5BDD24	29-1/2 x 29-1/2
5BDD30	37-1/2 x 37-1/2
5BDD36	43-1/2 x 43-1/2

## Dimensions



Model	A	B	C	D	E
5BDD 10	19	25 3/4	22 7/8	3	1 1/2

Dimensions are in inches.

Model	Rated Power (HP)	Voltage (V)	RPM (min <sup>-1</sup> )	Static Pressure (IN WC)													Item #		
				0.00	0.125	0.25	0.38	0.5	0.625	0.75	0.88	1.00	1.25	1.50	1.75				
				CFM															
5BDD10BB-A	1/4	115/230	1674	1102	1052	1001	948	890	824	744							46900		
				12.2   0.17	11.8   0.18	11.6   0.18	11.3   0.19	10.8   0.19	10.6   0.19	10.1   0.19									
			1736	1142	1094	1045	995	941	880	808	721								
				12.8   0.19	12.9   0.20	12.5   0.20	12.4   0.21	12.0   0.21	11.5   0.22	10.9   0.22	10.7   0.22								
			1819	1197	1151	1104	1055	1004	950	884	811	723	575						
				14.2   0.22	14.3   0.23	14.2   0.23	13.9   0.24	13.4   0.24	13.4   0.25	12.7   0.25	12.3   0.25	12.1   0.25	12.0   0.23						

Performance is certified is for installation type A: free inlet, free outlet.

Speed (RPM) shown is nominal. Performance is based on actual speed of test.

Performance ratings include the effects of bird screen.

Power rating (BHP) does not include transmission losses.

The sound ratings shown are loudness values in fan sonas at 1.5 m (5 ft) in a hemispherical free field calculated per AMCA International Standard 301.

Values shown are for Installation Type A: free inlet hemispherical sone levels.

# 5BDD12 Downblast Roof Fan

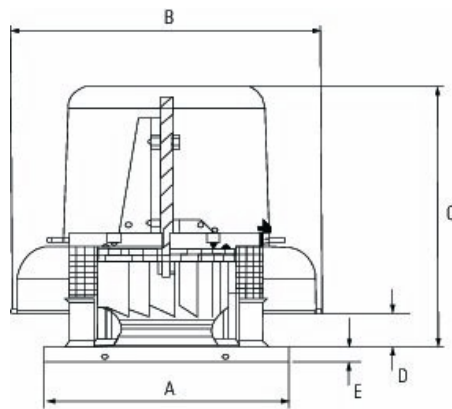
12" Belt Drive Downblast Roof Fan



Systemair Mfg. Inc. certifies that the 5BDD series shown herein is licensed to bear the AMCA seal. The ratings shown are based on tests and procedures performed in accordance with AMCA Publication 211 and AMCA Publication 311 and comply with the requirements of the AMCA Certified Ratings Program.

- All ventilators are UL 705 Standard listed
- Durable spun aluminum construction with steel support braces
- Inlet temperatures up to 170°F
- Backward inclined aluminum fan wheel
- Equipped with a built-in bird screen to protect discharge
- Externally cooled motor compartment

## Dimensions



Model	A	B	C	D	E
5BDD 12	22	28	23 3/8	3	1 1/2

Dimensions are in inches.

Dia. (In.)	HP	Open Dripproof	
		Single Phase	Three Phase
BDD 10 & 13	1/4	BB	-
BDD 12	1/3	CB	-
BDD 13 thru 30	1/2	DB	DX
BDD 15 thru 30	3/4	EB	EX
		FB	FX
BDD 15 thru 30	1-1/2	GB	GX
BDD 18 thru 36	2	-	HX
BDD 30 thru 36	3	-	JX
		-	KX

Recommended Roof Opening (In.)	
5BDD10	14-1/2 x 14-1/2
5BDD12	17-1/2 x 17-1/2
5BDD13	17-1/2 x 17-1/2
5BDD15	21-1/2 x 21-1/2
5BDD16	21-1/2 x 21-1/2
5BDD18	25-1/2 x 25-1/2
5BDD20	25-1/2 x 25-1/2
5BDD24	29-1/2 x 29-1/2
5BDD30	37-1/2 x 37-1/2
5BDD36	43-1/2 x 43-1/2

Model	Rated Power (HP)	Voltage (V)	RPM (min <sup>-1</sup> )	Static Pressure (IN WC)												Item #	
				0.00	0.125	0.25	0.38	0.5	0.625	0.75	0.88	1.00	1.25	1.50	1.75		
				CFM Sones   BHP													
5BDD12BB-A	1/4	115/230	1345	1383	1309	1232	1148	1053	943	818							46901
			1394	1434   0.19	11.0   0.19	10.5   0.20	9.8   0.21	9.5   0.21	9.0   0.21	8.4   0.21							
			1423	1464   0.22	11.8   0.21	11.1   0.22	10.9   0.23	10.2   0.23	9.6   0.23	9.3   0.24	8.9   0.23						
5BDD12CB-A	1/3	115/230	1480	1522	1455	1386	1313	1233	1144	1043	932	785					46902
			1535	1579   0.27	13.5   0.28	13.2   0.29	12.6   0.30	12.0   0.31	11.8   0.31	11.2   0.31	11.0   0.31	10.7   0.31					
			1566	1611   0.29	13.1   0.30	12.7   0.31	12.7   0.32	12.3   0.32	11.7   0.33	11.0   0.33	10.8   0.33	10.3   0.33	10.2   0.32	805			

Performance is certified is for installation type A: free inlet, free outlet.

Speed (RPM) shown is nominal. Performance is based on actual speed of test.

Performance ratings include the effects of bird screen.

Power rating (BHP) does not include transmission losses.

The sound ratings shown are loudness values in fan sones at 1.5 m (5 ft) in a hemispherical free field calculated per AMCA International Standard 301.

Values shown are for Installation Type A: free inlet hemispherical sone levels.



# 5BDD13 Downblast Roof Fan

13" Belt Drive Downblast Roof Fan



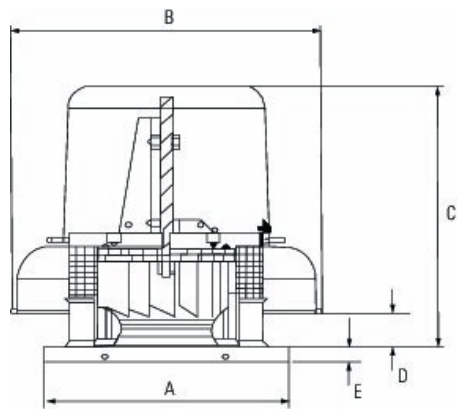
Systemair Mfg. Inc. certifies that the 5BDD series shown herein is licensed to bear the AMCA seal. The ratings shown are based on tests and procedures performed in accordance with AMCA Publication 211 and AMCA Publication 311 and comply with the requirements of the AMCA Certified Ratings Program.

- All ventilators are UL 705 Standard listed
- Durable spun aluminum construction with steel support braces
- Inlet temperatures up to 170°F
- Backward inclined aluminum fan wheel
- Equipped with a built-in bird screen to protect discharge
- Externally cooled motor compartment

Dia. (In.)	HP	Open Dripproof	
		Single Phase	Three Phase
BDD 10 & 13	1/4	BB	-
BDD 12	1/3	CB	-
BDD 13 thru 30	1/2	DB	DX
BDD 15 thru 30	3/4	EB	EX
	1	FB	FX
BDD 15 thru 30	1-1/2	GB	GX
BDD 18 thru 36	2	-	HX
BDD 30 thru 36	3	-	JX
	5	-	KX

Recommended Roof Opening (In.)	
5BDD10	14-1/2 x 14-1/2
5BDD12	17-1/2 x 17-1/2
5BDD13	17-1/2 x 17-1/2
5BDD15	21-1/2 x 21-1/2
5BDD16	21-1/2 x 21-1/2
5BDD18	25-1/2 x 25-1/2
5BDD20	25-1/2 x 25-1/2
5BDD24	29-1/2 x 29-1/2
5BDD30	37-1/2 x 37-1/2
5BDD36	43-1/2 x 43-1/2

## Dimensions



Model	A	B	C	D	E
5BDD 13	22	29 3/4	24 5/8	3 1/4	1 1/2

Dimensions are in inches.

Model	Rated Power (HP)	Voltage (V)	RPM (min <sup>-1</sup> )	Static Pressure (IN WC)												Item #	
				0.00	0.125	0.25	0.38	0.5	0.625	0.75	0.88	1.00	1.25	1.50	1.75		
				CFM													
5BDD13BB-A	1/4	115/230	1124	1549	1459	1360	1242	1111	965								46903
			1166	1607	1521	1427	1316	1192	1059	787							
			1213	1672	1586	1500	1393	1279	1154	1009							
5BDD13DB-A	1/2	115/230	1397	1925	1854	1779	1698	1607	1507	1401	1290	1156					46905
			1440	1985	1915	1843	1766	1680	1584	1483	1377	1263					
			1528	2106	2038	1969	1901	1820	1735	1645	1548	1446	1131				

Performance is certified is for installation type A: free inlet, free outlet.

Speed (RPM) shown is nominal. Performance is based on actual speed of test.

Performance ratings include the effects of bird screen.

Power rating (BHP) does not include transmission losses.

The sound ratings shown are loudness values in fan sones at 1.5 m (5 ft) in a hemispherical free field calculated per AMCA International Standard 301.

Values shown are for Installation Type A: free inlet hemispherical sone levels.



## 5BDD15 Downblast Roof Fan

15" Belt Drive Downblast Roof Fan

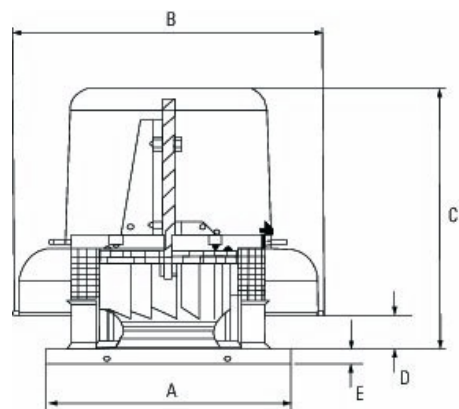


- All ventilators are UL 705 Standard listed
- Durable spun aluminum construction with steel support braces
- Inlet temperatures up to 170°F
- Backward inclined aluminum fan wheel
- Equipped with a built-in bird screen to protect discharge
- Externally cooled motor compartment

Dia. (In.)	HP	Open Dripproof	
		Single Phase	Three Phase
BDD 10 & 13	1/4	BB	-
BDD 12	1/3	CB	-
BDD 13 thru 30	1/2	DB	DX
BDD 15 thru 30	3/4	EB	EX
	1	FB	FX
BDD 15 thru 30	1-1/2	GB	GX
BDD 18 thru 36	2	-	HX
BDD 30 thru 36	3	-	JX
	5	-	KX

Recommended Roof Opening (In.)	
5BDD10	14-1/2 x 14-1/2
5BDD12	17-1/2 x 17-1/2
5BDD13	17-1/2 x 17-1/2
5BDD15	21-1/2 x 21-1/2
5BDD16	21-1/2 x 21-1/2
5BDD18	25-1/2 x 25-1/2
5BDD20	25-1/2 x 25-1/2
5BDD24	29-1/2 x 29-1/2
5BDD30	37-1/2 x 37-1/2
5BDD36	43-1/2 x 43-1/2

### Dimensions



Model	A	B	C	D	E
5BDD 15	26	31 11/16	27 3/8	3 3/4	1 1/2

Dimensions are in inches.



# 5BDD15 Downblast Roof Fan

15" Belt Drive Downblast Roof Fan



Systemair Mfg. Inc. certifies that the 5BDD series shown herein is licensed to bear the AMCA seal. The ratings shown are based on tests and procedures performed in accordance with AMCA Publication 211 and AMCA Publication 311 and comply with the requirements of the AMCA Certified Ratings Program.

Model	Rated Power (HP)	Voltage (V)	RPM (min <sup>-1</sup> )	Static Pressure (IN WC)											Item #			
				0.00	0.125	0.25	0.38	0.5	0.625	0.75	0.88	1.00	1.25	1.50		1.75		
				CFM														
5BDD15DB-A	1/2	115/230	1185	2356	2259	2157	2041	1909	1768	1612	1419							46909
				13.8   0.33	13.6   0.34	13.3   0.36	13.2   0.37	12.4   0.37	12.2   0.38	11.9   0.38	11.3   0.37							
			1222	2430	2336	2237	2128	2002	1867	1723	1552	1335						
	14.5   0.36	14.3   0.38	13.6   0.39	13.5   0.40	13.3   0.41	13.0   0.41	12.3   0.41	12.0   0.41	11.4   0.40									
	1301	2587	2494	2402	2308	2190	2072	1939	1804	1633								
	15.4   0.44	15.4   0.45	15.2   0.47	15.0   0.48	14.0   0.49	14.2   0.50	14.0   0.50	13.2   0.50	13.0   0.49									
5BDD15DX-A	1/2	208-230/460	1185	2356	2259	2157	2041	1909	1768	1612	1419							46910
				13.8   0.33	13.6   0.34	13.3   0.36	13.2   0.37	12.4   0.37	12.2   0.38	11.9   0.38	11.3   0.37							
			1222	2430	2336	2237	2128	2002	1867	1723	1552	1335						
	14.5   0.36	14.3   0.38	13.6   0.39	13.5   0.40	13.3   0.41	13.0   0.41	12.3   0.41	12.0   0.41	11.4   0.40									
	1301	2587	2494	2402	2308	2190	2072	1939	1804	1633								
	15.4   0.44	15.4   0.45	15.2   0.47	15.0   0.48	14.0   0.49	14.2   0.50	14.0   0.50	13.2   0.50	13.0   0.49									
5BDD15EB-A	3/4	115/230	1353	2690	2605	2518	2425	2321	2205	2083	1956	1813	885					46911
				16.2   0.49	16.2   0.51	16.1   0.52	15.6   0.54	15.3   0.55	15.1   0.55	14.9   0.56	14.3   0.56	14.1   0.56	11.6   0.39					
			1403	2789	2708	2624	2536	2438	2330	2214	2094	1966	1646					
	17.1   0.54	16.7   0.56	16.5   0.58	16.5   0.60	16.3   0.61	16.2   0.62	15.4   0.62	15.2   0.63	15.0   0.63	13.7   0.61								
	1489	2960	2880	2799	2718	2634	2531	2428	2320	2203	1941	1556						
	18.1   0.65	17.9   0.67	17.8   0.69	17.8   0.71	17.2   0.72	16.9   0.73	16.6   0.74	16.4   0.74	15.8   0.75	15.6   0.75	14.1   0.71							

Performance is certified for installation type A: free inlet, free outlet.

Speed (RPM) shown is nominal. Performance is based on actual speed of test.

Performance ratings include the effects of bird screen.

Power rating (BHP) does not include transmission losses.

The sound ratings shown are loudness values in fan sones at 1.5 m (5 ft) in a hemispherical free field calculated per AMCA International Standard 301.

Values shown are for Installation Type A: free inlet hemispherical sone levels.



Systemair Mfg. Inc. certifies that the 5BDD series shown herein is licensed to bear the AMCA seal. The ratings shown are based on tests and procedures performed in accordance with AMCA Publication 211 and AMCA Publication 311 and comply with the requirements of the AMCA Certified Ratings Program.

Model	Max Power (W)	Voltage (V)	Nominal Impeller Speed (min <sup>-1</sup> )	Static Pressure (IN WC)											Item #			
				0.00	0.125	0.25	0.38	0.5	0.625	0.75	0.88	1.00	1.25	1.50		1.75		
				CFM														
5BDD15FB-A	589	115/230	1180	2395	2296	2196	2087	1973	1842	1695	1478	696						46913
				0.60	0.71	0.81	0.89	0.96	1.01	1.04	1.04	0.83						
			1612	3328	3252	3177	3101	3025	2940	2848	2757	2665	2450	2196	1776			
	0.40	0.48	0.56	0.63	0.70	0.75	0.81	0.86	0.90	0.96	1.01	1.01						
	20.0	20.0	20.0	19.2	19.1	18.9	18.8	18.6	18.4	17.5	16.7	16.3						

Performance is certified for installation type A & C: Free or ducted inlet, Free outlet.

Speed (RPM) shown is nominal. Performance is based on actual speed of test. Power ratings includes transmission losses.

Performance ratings include the effects of bird screen.

The sound ratings shown are loudness values in fan sones at 1.5 m (5 ft) in a hemispherical free field calculated per AMCA International Standard 301.

Values shown are for Installation Type A & C: free inlet hemispherical sone levels.



## 5BDD16 Downblast Roof Fan

16" Belt Drive Downblast Roof Fan

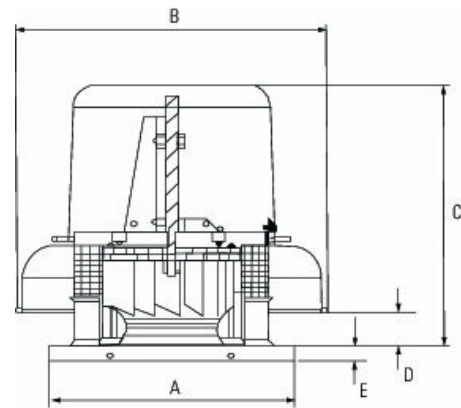


- All ventilators are UL 705 Standard listed
- Durable spun aluminum construction with steel support braces
- Inlet temperatures up to 170°F
- Backward inclined aluminum fan wheel
- Equipped with a built-in bird screen to protect discharge
- Externally cooled motor compartment

Dia. (In.)	HP	Open Dripproof	
		Single Phase	Three Phase
BDD 10 & 13	1/4	BB	-
BDD 12	1/3	CB	-
BDD 13 thru 30	1/2	DB	DX
BDD 15 thru 30	3/4	EB	EX
	1	FB	FX
BDD 15 thru 30	1-1/2	GB	GX
BDD 18 thru 36	2	-	HX
BDD 30 thru 36	3	-	JX
	5	-	KX

Recommended Roof Opening (In.)	
5BDD10	14-1/2 x 14-1/2
5BDD12	17-1/2 x 17-1/2
5BDD13	17-1/2 x 17-1/2
5BDD15	21-1/2 x 21-1/2
5BDD16	21-1/2 x 21-1/2
5BDD18	25-1/2 x 25-1/2
5BDD20	25-1/2 x 25-1/2
5BDD24	29-1/2 x 29-1/2
5BDD30	37-1/2 x 37-1/2
5BDD36	43-1/2 x 43-1/2

### Dimensions



Model	A	B	C	D	E
5BDD 16	26	33 11/16	27 3/4	4 3/16	1 1/2

Dimensions are in inches.



# 5BDD16 Downblast Roof Fan

16" Belt Drive Downblast Roof Fan



Systemair Mfg. Inc. certifies that the 5BDD series shown herein is licensed to bear the AMCA seal. The ratings shown are based on tests and procedures performed in accordance with AMCA Publication 211 and AMCA Publication 311 and comply with the requirements of the AMCA Certified Ratings Program.

Model	Rated Power (HP)	Voltage (V)	RPM (min <sup>-1</sup> )	Static Pressure (IN WC)												Item #		
				0.00	0.125	0.25	0.38	0.5	0.625	0.75	0.88	1.00	1.25	1.50	1.75			
				CFM Sones   BHP														
5BDD16DB-A	1/2	115/230	1004	2576 12.5   0.32	2453 12.0   0.33	2325 11.5   0.35	2183 10.9   0.36	2019 10.3   0.36	1822 9.9   0.36	1599 9.4   0.36						46916		
			1041	2671 12.9   0.35	2553 12.6   0.37	2430 12.1   0.38	2296 11.6   0.39	2144 11.0   0.40	1964 10.4   0.41	1760 10.0   0.40	1501 9.5   0.39							
			1100	2825 14.1   0.42	2711 13.6   0.43	2597 13.4   0.45	2467 12.8   0.46	2330 12.2   0.47	2177 11.7   0.48	1999 11.2   0.48	1790 11.0   0.48	1491 10.2   0.46						
5BDD16DX-A	1/2	208-230 / 460	1004	2576 12.5   0.32	2453 12.0   0.33	2325 11.5   0.35	2183 10.9   0.36	2019 10.3   0.36	1822 9.9   0.36	1599 9.4   0.36						46917		
			1041	2671 12.9   0.35	2553 12.6   0.37	2430 12.1   0.38	2296 11.6   0.39	2144 11.0   0.40	1964 10.4   0.41	1760 10.0   0.40	1501 9.5   0.39							
			1100	2825 14.1   0.42	2711 13.6   0.43	2597 13.4   0.45	2467 12.8   0.46	2330 12.2   0.47	2177 11.7   0.48	1999 11.2   0.48	1790 11.0   0.48	1491 10.2   0.46						
5BDD16EB-A	3/4	115/208-230	1147	2943 15.1   0.47	2836 14.4   0.49	2726 14.3   0.51	2610 13.8   0.52	2483 13.0   0.53	2341 12.8   0.54	2176 12.3   0.54	1994 11.8   0.54	1788 11.3   0.53						46918
			1171	3004 15.8   0.50	2900 15.1   0.52	2792 15.0   0.54	2679 14.3   0.55	2557 13.9   0.56	2421 13.1   0.57	2265 12.8   0.58	2090 12.3   0.58	1899 11.9   0.57						
			1261	3235 17.9   0.63	3136 16.9   0.65	3036 16.8   0.67	2936 16.3   0.68	2817 16.3   0.70	2698 15.4   0.71	2579 15.2   0.72	2425 14.5   0.72	2269 14.5   0.72	1877 13.2   0.70					
5BDD16EX-A	3/4	208-230/460	1147	2943 15.1   0.47	2836 14.4   0.49	2726 14.3   0.51	2610 13.8   0.52	2483 13.0   0.53	2341 12.8   0.54	2176 12.3   0.54	1994 11.8   0.54	1788 11.3   0.53						46919
			1171	3004 15.8   0.50	2900 15.1   0.52	2792 15.0   0.54	2679 14.3   0.55	2557 13.9   0.56	2421 13.1   0.57	2265 12.8   0.58	2090 12.3   0.58	1899 11.9   0.57						
			1261	3235 17.9   0.63	3136 16.9   0.65	3036 16.8   0.67	2936 16.3   0.68	2817 16.3   0.70	2698 15.4   0.71	2579 15.2   0.72	2425 14.5   0.72	2269 14.5   0.72	1877 13.2   0.70					

Performance is certified for installation type A: free inlet, free outlet.

Speed (RPM) shown is nominal. Performance is based on actual speed of test.

Performance ratings include the effects of bird screen.

Power rating (BHP) does not include transmission losses.

The sound ratings shown are loudness values in fan sones at 1.5 m (5 ft) in a hemispherical free field calculated per AMCA International Standard 301.

Values shown are for Installation Type A: free inlet hemispherical sone levels.



# 5BDD16 Downblast Roof Fan

16" Belt Drive Downblast Roof Fan



Systemair Mfg. Inc. certifies that the 5BDD series shown herein is licensed to bear the AMCA seal. The ratings shown are based on tests and procedures performed in accordance with AMCA Publication 211 and AMCA Publication 311 and comply with the requirements of the AMCA Certified Ratings Program.

Model	Max Power (W)	Voltage (V)	Nominal Impeller Speed (min <sup>-1</sup> )	Static Pressure (IN WC)												Item #
				0.00	0.125	0.25	0.38	0.5	0.625	0.75	0.88	1.00	1.25	1.50	1.75	
				CFM FEI Sones												
5BDD16FB-A	618	115/230	1029	2768	2632	2496	2354	2210	2025	1798	1039					
				0.63	0.75	0.84	0.93	0.99	1.03	1.05	0.82					
	1188	1320	3581	3459	3337	3214	3085	2955	2818	2666	2514	2091	1176	183	46920	
				0.45	0.55	0.63	0.70	0.77	0.82	0.87	0.91	0.95	0.97	0.87	0.50	
				19.4	18.6	18.4	18.3	17.7	17.4	16.9	16.6	15.9	15.1	14.5	-	

Performance is certified is for installation type A & C: Free or ducted inlet, Free outlet.  
 Speed (RPM) shown is nominal. Performance is based on actual speed of test. Power ratings includes transmission losses.  
 Performance ratings include the effects of bird screen.  
 The sound ratings shown are loudness values in fan sones at 1.5 m (5 ft) in a hemispherical free field calculated per AMCA International Standard 301.  
 Values shown are for Installation Type A & C: free inlet hemispherical sone levels.

Model	Rated Power (Hp)	Voltage (V)	Nominal Impeller Speed (min <sup>-1</sup> )	Static Pressure (IN WC)												Item #	
				0.00	0.125	0.25	0.38	0.5	0.625	0.75	0.88	1.00	1.25	1.50	1.75		
				CFM FEI Sones   BHP													
5BDD16FX-A	1	230/460	1294	3321	3226	3129	3030	2925	2812	2689	2551	2398	2054				
				0.62	0.75	0.85	0.96	1.03	1.11	1.17	1.22	1.26	1.3				
				17.9   0.68	17.4   0.70	17.1   0.72	16.8   0.73	16.3   0.75	16.1   0.76	15.5   0.77	15.2   0.78	14.6   0.78	13.9   0.77				
			1333	3421	3329	3235	3139	3038	2931	2815	2688	2545	2226	1193			
				0.59	0.71	0.81	0.91	0.98	1.06	1.12	1.17	1.22	1.27	1.18			
				18.3   0.74	18.1   0.76	17.5   0.78	17.4   0.80	17.2   0.82	16.5   0.83	16.2   0.84	15.8   0.85	15.4   0.85	14.3   0.85	12.9   0.62			
1388	3561	3471	3380	3290	3193	3085	2976	2868	2737	2448	2102						
	0.55	0.65	0.75	0.84	0.92	0.99	1.05	1.11	1.15	1.22	1.25						
	19.4   0.83	18.6   0.86	18.4   0.88	18.3   0.90	17.7   0.92	17.4   0.93	16.9   0.95	16.6   0.95	15.9   0.96	15.1   0.96	14.5   0.94						

Performance is certified is for installation type A & C: Free or ducted inlet, Free outlet.  
 Performance is based on actual speed of test. Power ratings (BHP) does not include transmission losses.  
 Performance ratings include the effects of bird screen.  
 The sound ratings shown are loudness values in fan sones at 1.5 m (5 ft) in a hemispherical free field calculated per AMCA International Standard 301.  
 Values shown are for Installation Type A & C: free inlet hemispherical sone levels.





## 5BDD18 Downblast Roof Fan

18" Belt Drive Downblast Roof Fan

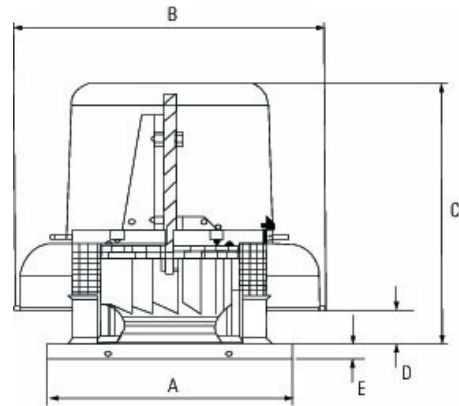


- All ventilators are UL 705 Standard listed
- Durable spun aluminum construction with steel support braces
- Inlet temperatures up to 170°F
- Backward inclined aluminum fan wheel
- Equipped with a built-in bird screen to protect discharge
- Externally cooled motor compartment

Dia. (In.)	HP	Open Dripproof	
		Single Phase	Three Phase
BDD 10 & 13	1/4	BB	-
BDD 12	1/3	CB	-
BDD 13 thru 30	1/2	DB	DX
BDD 15 thru 30	3/4	EB	EX
	1	FB	FX
BDD 15 thru 30	1-1/2	GB	GX
BDD 18 thru 36	2	-	HX
BDD 30 thru 36	3	-	JX
	5	-	KX

Recommended Roof Opening (In.)	
5BDD10	14-1/2 x 14-1/2
5BDD12	17-1/2 x 17-1/2
5BDD13	17-1/2 x 17-1/2
5BDD15	21-1/2 x 21-1/2
5BDD16	21-1/2 x 21-1/2
5BDD18	25-1/2 x 25-1/2
5BDD20	25-1/2 x 25-1/2
5BDD24	29-1/2 x 29-1/2
5BDD30	37-1/2 x 37-1/2
5BDD36	43-1/2 x 43-1/2

### Dimensions



Model	A	B	C	D	E
5BDD 18	30	36	29 5/8	4 3/4	1 1/2

Dimensions are in inches.



# 5BDD18 Downblast Roof Fan

18" Belt Drive Downblast Roof Fan



Systemair Mfg. Inc. certifies that the 5BDD series shown herein is licensed to bear the AMCA seal. The ratings shown are based on tests and procedures performed in accordance with AMCA Publication 211 and AMCA Publication 311 and comply with the requirements of the AMCA Certified Ratings Program.

Model	Rated Power (HP)	Voltage (V)	RPM (min <sup>-1</sup> )	Static Pressure (IN WC)											Item #		
				0.00	0.125	0.25	0.38	0.5	0.625	0.75	0.88	1.00	1.25	1.50		1.75	
				CFM Sones   BHP													
5BDD18DB-A	1/2	115/230	855	3162	2997	2821	2622	2401	2139								46923
				10.5   0.34	10.2   0.35	9.9   0.37	9.4   0.38	8.9   0.39	8.6   0.39								
			886	3277	3117	2949	2762	2553	2318								
			928	3432	3276	3120	2939	2754	2533	2264							
				13.4   0.43	11.3   0.45	11.0   0.47	10.8   0.48	10.4   0.49	9.9   0.50	9.5   0.50							
5BDD18DX-A	1/2	208-230 / 460	855	3162	2997	2821	2622	2401	2139								46924
				10.5   0.34	10.2   0.35	9.9   0.37	9.4   0.38	8.9   0.39	8.6   0.39								
			886	3277	3117	2949	2762	2553	2318								
			928	3432	3276	3120	2939	2754	2533	2264							
				13.4   0.43	11.3   0.45	11.0   0.47	10.8   0.48	10.4   0.49	9.9   0.50	9.5   0.50							
5BDD18EB-A	3/4	115/208-230	992	3669	3527	3380	3222	3049	2862	2656	2407						46925
				13.0   0.52	12.5   0.55	12.4   0.57	12.1   0.59	11.6   0.60	11.4   0.61	10.9   0.61	10.2   0.61						
			1021	3776	3638	3496	3345	3180	3001	2807	2586						
			1062	3928	3791	3655	3514	3352	3190	3004	2811	2549					
				14.7   0.64	13.9   0.67	13.7   0.69	13.4   0.71	13.3   0.73	12.7   0.74	12.6   0.75	12.0   0.75	11.3   0.74					

Performance is certified for installation type A: free inlet, free outlet.

Speed (RPM) shown is nominal. Performance is based on actual speed of test.

Performance ratings include the effects of bird screen.

Power rating (BHP) does not include transmission losses.

The sound ratings shown are loudness values in fan sones at 1.5 m (5 ft) in a hemispherical free field calculated per AMCA International Standard 301.

Values shown are for Installation Type A: free inlet hemispherical sone levels.



# 5BDD18 Downblast Roof Fan

18" Belt Drive Downblast Roof Fan



Systemair Mfg. Inc. certifies that the 5BDD series shown herein is licensed to bear the AMCA seal. The ratings shown are based on tests and procedures performed in accordance with AMCA Publication 211 and AMCA Publication 311 and comply with the requirements of the AMCA Certified Ratings Program.

Model	Max Power (W)	Voltage (V)	Nominal Impeller Speed (min <sup>-1</sup> )	Static Pressure (IN WC)											Item #		
				0.00	0.125	0.25	0.38	0.5	0.625	0.75	0.88	1.00	1.25	1.50		1.75	
				CFM FEI Sones													
5BDD18FB-A	564	115/230	835	3006	2823	2633	2431	2193	1868	0							46927
				0.73	0.85	0.95	1.02	1.07	1.08	0.35							
	1065	1134	4120	3991	3862	3734	3571	3401	3229	3056	2861	2108					
				0.49	0.60	0.69	0.77	0.85	0.91	0.96	1.01	1.04	1.03				
				17.5	16.8	16.7	16.5	15.9	15.5	15.4	14.7	14.5	13.0				

Performance is certified is for installation type A & C: Free or ducted inlet, Free outlet.

Speed (RPM) shown is nominal. Performance is based on actual speed of test. Power ratings includes transmission losses.

Performance ratings include the effects of bird screen.

The sound ratings shown are loudness values in fan sones at 1.5 m (5 ft) in a hemispherical free field calculated per AMCA International Standard 301.

Values shown are for Installation Type A & C: free inlet hemispherical sone levels.

Model	Rated Power (Hp)	Voltage (V)	Nominal Impeller Speed (min <sup>-1</sup> )	Static Pressure (IN WC)											Item #			
				0.00	0.125	0.25	0.38	0.5	0.625	0.75	0.88	1.00	1.25	1.50		1.75		
				CFM FEI Sones   BHP														
5BDD18FX-A	1	230/460	1100	4068	3941	3810	3673	3526	3368	3199	3018	2815					46928	
				0.70	0.83	0.95	1.04	1.14	1.20	1.26	1.32	1.35						
				15.4   0.71	15.2   0.74	14.6   0.76	14.4   0.79	14.1   0.80	13.9   0.82	13.3   0.83	13.0   0.83	12.4   0.83						
			1134	4194	4070	3944	3813	3672	3521	3361	3191	3005						
				0.66	0.79	0.90	0.99	1.08	1.16	1.22	1.27	1.31						
				16.2   0.78	15.9   0.81	15.9   0.83	15.2   0.86	15.0   0.88	14.7   0.89	14.5   0.90	13.9   0.91	13.3   0.91						
			1169	4324	4199	4075	3951	3815	3667	3520	3354	3179	2726					
				0.62	0.74	0.85	0.95	1.02	1.10	1.16	1.22	1.26	1.30					
				17.5   0.86	16.8   0.89	16.7   0.91	16.5   0.93	15.9   0.96	15.5   0.96	15.4   0.99	14.7   0.99	14.5   1.00	13.0   0.99					
5BDD18GX-A	1.5	230/460	1197	4427	4310	4191	4068	3938	3800	3653	3498	3334	2950				46930	
				0.59	0.71	0.82	0.91	0.99	1.06	1.13	1.19	1.23	1.29					
				17.9   0.92	17.7   0.95	17.1   0.97	17.0   1.00	16.7   1.02	16.5   1.04	16.2   1.05	15.5   1.06	15.3   1.07	13.9   1.07					
			1234	4564	4450	4335	4216	4092	3961	3820	3673	3518	3171					
				0.55	0.67	0.78	0.86	0.95	1.02	1.08	1.14	1.18	1.25					
				18.9   1.01	18.8   1.04	18.5   1.06	18.4   1.09	17.8   1.11	17.4   1.13	17.2   1.15	16.8   1.16	16.3   1.17	15.3   1.18					
			1338	4949	4840	4732	4623	4515	4397	4268	4140	4011	3712	3372	2831			
				0.47	0.58	0.67	0.75	0.83	0.89	0.95	1.01	1.06	1.14	1.19	1.20			
				21.0   1.29	21.0   1.32	21.0   1.35	21.0   1.38	21.0   1.40	21.0   1.43	20.0   1.45	19.4   1.47	19.3   1.48	18.2   1.50	1.73   1.50	16.4   1.44			
5BDD18HX-A	2	230/460	1360	5030	4927	4823	4717	4608	4494	4374	4248	4116	3836	3520			46931	
				0.45	0.55	0.65	0.73	0.80	0.87	0.93	0.99	1.03	1.03	1.03	1.19			
				22.0   1.35	22.0   1.38	22.0   1.41	21.0   1.44	21.0   1.47	21.0   1.49	20.0   1.52	20.0   1.53	19.4   1.55	19.0   1.57	17.6   1.57				
			1388	5134	5032	4931	4827	4721	4610	4494	4372	4244	3974	3675	3304			
				0.44	0.53	0.62	0.70	0.77	0.84	0.90	0.95	1.01	1.09	1.19	1.20			
				23.0   1.44	23.0   1.47	22.0   1.5	22.0   1.53	22.0   1.56	21.0   1.58	21.0   1.61	20.0   1.63	20.0   1.64	19.4   1.67	18.4   1.67	17.4   1.66			
			1473	5448	5349	5251	5152	5054	4956	4848	4731	4614	4381	4103	3825			
				0.39	0.48	0.56	0.63	0.69	0.76	0.82	0.87	0.92	1.00	1.07	1.13			
				26.0   1.72	25.0   1.75	24.0   1.78	24.0   1.82	24.0   1.88	24.0   1.88	23.0   1.9	22.0   1.93	22.0   1.95	22.0   1.98	21.0   2.00	20.0   2.00			

Performance is certified is for installation type A & C: Free or ducted inlet, Free outlet.

Performance is based on actual speed of test. Power ratings (BHP) does not include transmission losses.

Performance ratings include the effects of bird screen.

The sound ratings shown are loudness values in fan sones at 1.5 m (5 ft) in a hemispherical free field calculated per AMCA International Standard 301.

Values shown are for Installation Type A & C: free inlet hemispherical sone levels.



## 5BDD20 Downblast Roof Fan

20" Belt Drive Downblast Roof Fan

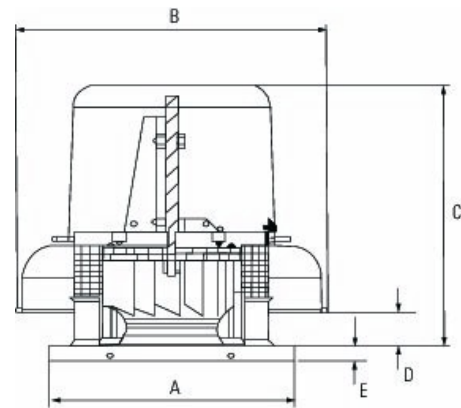


- All ventilators are UL 705 Standard listed
- Durable spun aluminum construction with steel support braces
- Inlet temperatures up to 170°F
- Backward inclined aluminum fan wheel
- Equipped with a built-in bird screen to protect discharge
- Externally cooled motor compartment

Dia. (In.)	HP	Open Dripproof	
		Single Phase	Three Phase
BDD 10 & 13	1/4	BB	-
BDD 12	1/3	CB	-
BDD 13 thru 30	1/2	DB	DX
BDD 15 thru 30	3/4	EB	EX
	1	FB	FX
BDD 15 thru 30	1-1/2	GB	GX
BDD 18 thru 36	2	-	HX
BDD 30 thru 36	3	-	JX
	5	-	KX

Recommended Roof Opening (In.)	
5BDD10	14-1/2 x 14-1/2
5BDD12	17-1/2 x 17-1/2
5BDD13	17-1/2 x 17-1/2
5BDD15	21-1/2 x 21-1/2
5BDD16	21-1/2 x 21-1/2
5BDD18	25-1/2 x 25-1/2
5BDD20	25-1/2 x 25-1/2
5BDD24	29-1/2 x 29-1/2
5BDD30	37-1/2 x 37-1/2
5BDD36	43-1/2 x 43-1/2

### Dimensions



Model	A	B	C	D	E
5BDD 20	30	38 1/4	30 1/4	5 1/4	1 1/2

Dimensions are in inches.



# 5BDD20 Downblast Roof Fan

20" Belt Drive Downblast Roof Fan



Systemair Mfg. Inc. certifies that the 5BDD series shown herein is licensed to bear the AMCA seal. The ratings shown are based on tests and procedures performed in accordance with AMCA Publication 211 and AMCA Publication 311 and comply with the requirements of the AMCA Certified Ratings Program.

Model	Rated Power (HP)	Voltage (V)	RPM (min <sup>-1</sup> )	Static Pressure (IN WC)											Item #		
				0.00	0.125	0.25	0.38	0.5	0.625	0.75	0.88	1.00	1.25	1.50		1.75	
				CFM Sones   BHP													
5BDD20DB-A	1/2	115/230	764	3645	3431	3216	2990	2715	2388								46933
				11.5   0.37	11.0   0.39	10.5   0.41	9.7   0.43	9.3   0.44	9.1   0.43								
			787	3755	3547	3338	3122	2829	2562	1129							
				11.7   0.40	11.3   0.43	11.0   0.45	10.2   0.47	9.9   0.48	9.4   0.48	8.8   0.30							
			800	3817	3612	3406	3188	2942	2653	2220							
				14.7   0.42	11.3   0.45	11.2   0.47	10.6   0.49	10.0   0.50	9.8   0.50	9.4   0.48							
5BDD20DX-A	1/2	208-230 / 460	764	3645	3431	3216	2990	2715	2388								46934
				11.5   0.37	11.0   0.39	10.5   0.41	9.7   0.43	9.3   0.44	9.1   0.43								
			787	3755	3547	3338	3122	2829	2562	1129							
				11.7   0.40	11.3   0.43	11.0   0.45	10.2   0.47	9.9   0.48	9.4   0.48	8.8   0.30							
			800	3817	3612	3406	3188	2942	2653	2220							
				14.7   0.42	11.3   0.45	11.2   0.47	10.6   0.49	10.0   0.50	9.8   0.50	9.4   0.48							
5BDD20EB-A	3/4	115/208-230	854	4075	3883	3691	3497	3286	3035	2746	1328						46935
				13.2   0.51	12.9   0.54	12.4   0.57	11.8   0.59	11.5   0.60	10.9   0.61	10.7   0.61	10.2   0.39						
			879	4194	4008	3821	3633	3434	3201	2929	2615						
				14.2   0.56	13.6   0.59	12.9   0.62	12.4   0.64	12.0   0.65	11.5   0.66	11.3   0.66	10.9   0.65						
			916	4371	4192	4013	3828	3638	3429	3181	2895	2335					
				15.6   0.64	14.8   0.67	14.2   0.69	13.5   0.72	12.9   0.74	12.6   0.75	12.0   0.75	11.9   0.75	11.7   0.69					

Performance is certified is for installation type A: free inlet, free outlet.

Speed (RPM) shown is nominal. Performance is based on actual speed of test.

Performance ratings include the effects of bird screen.

Power rating (BHP) does not include transmission losses.

The sound ratings shown are loudness values in fan sones at 1.5 m (5 ft) in a hemispherical free field calculated per AMCA International Standard 301.

Values shown are for Installation Type A: free inlet hemispherical sone levels.



# 5BDD20 Downblast Roof Fan

20" Belt Drive Downblast Roof Fan



Systemair Mfg. Inc. certifies that the 5BDD series shown herein is licensed to bear the AMCA seal. The ratings shown are based on tests and procedures performed in accordance with AMCA Publication 211 and AMCA Publication 311 and comply with the requirements of the AMCA Certified Ratings Program.

Model	Max Power (W)	Voltage (V)	Nominal Impeller Speed (min <sup>-1</sup> )	Static Pressure (IN WC)												Item #			
				0.00	0.125	0.25	0.38	0.5	0.625	0.75	0.88	1.00	1.25	1.50	1.75				
				CFM FEI Sones															
5BDD20FB-A	637	115/230	774	3674	3462	3240	2991	2719	2362	567								46937	
				0.76	0.89	1.00	1.07	1.13	1.14	0.69									
				-	-	-	-	-	-	-									
	1164	1008	4815	4644	4474	4299	4108	3916	3709	3494	3236	1316							
			0.54	0.65	0.74	0.82	0.89	0.95	1.00	1.04	1.06	0.88							
			18.7	17.7	17.1	16.4	16.0	1.4	14.6	14.5	14.4	13.3							
5BDD20GB-A	899	115/230	913	4367	4179	3992	3791	3584	3352	3102	2782						46939		
				0.63	0.75	0.85	0.94	1.01	1.06	1.10	1.13								
				-	-	-	-	-	-	-									
	1538	1128	5450	5290	5131	4972	4808	4638	4468	4289	4093	3654	2144						
			0.45	0.55	0.63	0.71	0.78	0.84	0.89	0.94	0.98	1.04	0.97						
			23.0	22.0	22.0	21.0	20.0	19.7	19.5	18.6	18.5	17.5	17.1						

Performance is certified for installation type A & C: Free or ducted inlet, Free outlet.

Speed (RPM) shown is nominal. Performance is based on actual speed of test. Power ratings includes transmission losses.

Performance ratings include the effects of bird screen.

The sound ratings shown are loudness values in fan sones at 1.5 m (5 ft) in a hemispherical free field calculated per AMCA International Standard 301.

Values shown are for Installation Type A & C: free inlet hemispherical sone levels.

Model	Rated Power (Hp)	Voltage (V)	Nominal Impeller Speed (min <sup>-1</sup> )	Static Pressure (IN WC)												Item #	
				0.00	0.125	0.25	0.38	0.5	0.625	0.75	0.88	1.00	1.25	1.50	1.75		
				CFM FEI Sones   BHP													
5BDD20FX-A	1	230/460	960	4581	4410	4239	4068	3893	3705	3488	3239	2970					46938
				0.75	0.89	1.00	1.10	1.18	1.25	1.30	1.34	1.39					
				16.5   0.73	16.3   0.76	15.5   0.79	14.9   0.82	14.2   0.84	13.9   0.86	13.2   0.87	13.0   0.87	13.0   0.85					
			989	4719	4554	4388	4222	4054	3876	3675	3443	3193					
				0.71	0.84	0.96	1.05	1.13	1.20	1.26	1.30	1.34					
				17.6   0.8	17.0   0.83	16.3   0.86	15.7   0.89	15.5   0.91	14.5   0.93	14.5   0.94	13.6   0.95	13.6   0.94					
1008	4810	4647	4484	4322	4149	3976	3786	3560	3325	1186							
	0.68	0.81	0.92	1.02	1.10	1.17	1.22	1.27	1.31	1.12							
	18.7   0.85	17.7   0.88	17.1   0.91	16.4   0.94	16.0   0.96	15.4   0.98	14.6   1.00	14.5   1.00	14.4   1.00	13.3   0.57							
5BDD20HX-A	2	230/460	1224	5840	5707	5573	5439	5805	5171	5034	4893	4744	4401	4004	3499	46941	
				0.46	0.56	0.65	0.73	0.87	0.87	0.93	0.98	1.03	1.11	1.17	1.20		
				24.0   1.51	24.0   1.56	23.0   1.6	23.0   1.63	22.0   1.67	21.0   1.7	21.0   1.73	21.0   1.75	20.0   1.77	19.6   1.79	19.2   1.79	18.7   1.73		
			1256	5993	5863	5732	5602	5471	5340	5208	5073	4931	4611	4234	3813		
				0.44	0.53	0.62	0.70	0.77	0.83	0.89	0.95	1.00	1.07	1.13	1.18		
				25.0   1.64	25.0   1.68	24.0   1.72	23.0   1.76	23.0   1.8	22.0   1.83	22.0   1.86	22.0   1.88	21.0   1.9	20.0   1.94	20.0   1.94	19.7   1.90		
1270	6060	5931	5802	5673	5544	5413	5275	5138	5001	4685	4327	3888					
	0.43	0.52	0.61	0.68	0.75	0.82	0.87	0.92	0.97	1.05	1.12	1.16					
	26.0   1.69	25.0   1.74	24.0   1.78	24.0   1.82	23.0   1.85	23.0   1.89	22.0   1.92	22.0   1.95	22.0   1.97	21.0   2.00	20.0   2.01	19.7   1.97					

Performance is certified for installation type A & C: Free or ducted inlet, Free outlet.

Performance is based on actual speed of test. Power ratings (BHP) does not include transmission losses.

Performance ratings include the effects of bird screen.

The sound ratings shown are loudness values in fan sones at 1.5 m (5 ft) in a hemispherical free field calculated per AMCA International Standard 301.

Values shown are for Installation Type A & C: free inlet hemispherical sone levels.



## 5BDD24 Downblast Roof Fan .....

24" Belt Drive Downblast Roof Fan

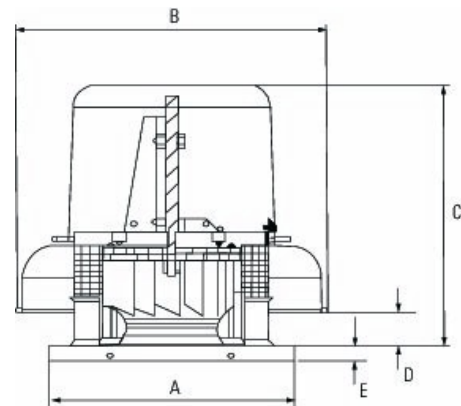


- All ventilators are UL 705 Standard listed
- Durable spun aluminum construction with steel support braces
- Inlet temperatures up to 170°F
- Backward inclined aluminum fan wheel
- Equipped with a built-in bird screen to protect discharge
- Externally cooled motor compartment

Dia. (In.)	HP	Open Dripproof	
		Single Phase	Three Phase
BDD 10 & 13	1/4	BB	-
BDD 12	1/3	CB	-
BDD 13 thru 30	1/2	DB	DX
BDD 15 thru 30	3/4	EB	EX
	1	FB	FX
BDD 15 thru 30	1-1/2	GB	GX
BDD 18 thru 36	2	-	HX
BDD 30 thru 36	3	-	JX
	5	-	KX

Recommended Roof Opening (In.)	
5BDD10	14-1/2 x 14-1/2
5BDD12	17-1/2 x 17-1/2
5BDD13	17-1/2 x 17-1/2
5BDD15	21-1/2 x 21-1/2
5BDD16	21-1/2 x 21-1/2
5BDD18	25-1/2 x 25-1/2
5BDD20	25-1/2 x 25-1/2
5BDD24	29-1/2 x 29-1/2
5BDD30	37-1/2 x 37-1/2
5BDD36	43-1/2 x 43-1/2

### Dimensions



Model	A	B	C	D	E
5BDD 24	34	44 1/4	33	6 11/16	1 1/2

Dimensions are in inches.



# 5BDD24 Downblast Roof Fan

24" Belt Drive Downblast Roof Fan



Systemair Mfg. Inc. certifies that the 5BDD series shown herein is licensed to bear the AMCA seal. The ratings shown are based on tests and procedures performed in accordance with AMCA Publication 211 and AMCA Publication 311 and comply with the requirements of the AMCA Certified Ratings Program.

Model	Rated Power (HP)	Voltage (V)	RPM (min <sup>-1</sup> )	Static Pressure (IN WC)											Item #	
				0.00	0.125	0.25	0.38	0.5	0.625	0.75	0.88	1.00	1.25	1.50		1.75
				CFM												
5BDD24DB-A	1/2	115/230	523	4476	4112	3685	3147								46943	
			542	4639	4288	3886	3383	2653								
			577	4938	4605	4233	3795	3253								
5BDD24DX-A	1/2	208-230 / 460	523	4476	4112	3685	3147								46944	
			542	4639	4288	3886	3383	2653								
			577	4938	4605	4233	3795	3253								

Performance is certified for installation type A: free inlet, free outlet.

Speed (RPM) shown is nominal. Performance is based on actual speed of test.

Performance ratings include the effects of bird screen.

Power rating (BHP) does not include transmission losses.

The sound ratings shown are loudness values in fan sones at 1.5 m (5 ft) in a hemispherical free field calculated per AMCA International Standard 301.

Values shown are for Installation Type A: free inlet hemispherical sone levels.



Systemair Mfg. Inc. certifies that the 5BDD series shown herein is licensed to bear the AMCA seal. The ratings shown are based on tests and procedures performed in accordance with AMCA Publication 211 and AMCA Publication 311 and comply with the requirements of the AMCA Certified Ratings Program.

Model	Max Power (W)	Voltage (V)	Nominal Impeller Speed (min <sup>-1</sup> )	Static Pressure (IN WC)											Item #	
				0.00	0.125	0.25	0.38	0.5	0.625	0.75	0.88	1.00	1.25	1.50		1.75
				cfm												
5BDD24FB-A	740	115/230	585	5191	4865	4490	4039	3479	843						46947	
			741	6630	6357	6084	5771	5426	5061	4684	4005	1836				
	1309	18.0	18.0	18.0	17.9	17.4	17.0	16.0	15.6	-						
5BDD24GB-A	852	115/230	629	5584	5281	4963	4569	4114	3430						46949	
			840	7503	7255	7006	6757	6488	6178	5867	5521	5121	2549			
	1788	0.51	0.61	0.70	0.78	0.85	0.91	0.96	1.01	1.04	0.96					

Performance is certified for installation type A & C: Free or ducted inlet, Free outlet.

Speed (RPM) shown is nominal. Performance is based on actual speed of test. Power ratings includes transmission losses.

Performance ratings include the effects of bird screen.

The sound ratings shown are loudness values in fan sones at 1.5 m (5 ft) in a hemispherical free field calculated per AMCA International Standard 301.

Values shown are for Installation Type A & C: free inlet hemispherical sone levels.





# 5BDD24 Downblast Roof Fan

24" Belt Drive Downblast Roof Fan



Systemair Mfg. Inc. certifies that the 5BDD series shown herein is licensed to bear the AMCA seal. The ratings shown are based on tests and procedures performed in accordance with AMCA Publication 211 and AMCA Publication 311 and comply with the requirements of the AMCA Certified Ratings Program.

Model	Rated Power (Hp)	Voltage (V)	Nominal Impeller Speed (min <sup>-1</sup> )	Static Pressure (IN WC)												Item #	
				0.00	0.125	0.25	0.38	0.5	0.625	0.75	0.88	1.00	1.25	1.50	1.75		
				CFM													
				FEI Sones   BHP													
5BDD24FX-A	1	230/460	695	5498	5679	5396	5082	4721	4309	3859							46948
				0.82	1.03	1.15	1.25	1.32	1.37	1.40							
				16.9   0.79	16.9   0.82	16.8   0.85	16.6   0.87	15.8   0.89	15.1   0.89	14.5   0.88							
5BDD24GX-A	1.5	230/460	715	6119	5857	5584	5284	4944	4553	4135	3428						46950
				0.82	0.98	1.10	1.19	1.28	1.33	1.37	1.35						
				17.8   0.86	17.8   0.89	17.9   0.92	17.7   0.95	16.8   0.96	16.1   0.97	15.4   0.96	14.6   0.91						
5BDD24GX-A	1.5	230/460	727	6222	5959	5692	5389	5069	4689	4266	3705						46950
				0.80	0.91	1.06	1.16	1.24	1.30	1.34	1.34						
				18.0   0.9	18.0   0.97	18.0   0.97	17.9   1.00	17.4   1.01	17.0   1.02	16.0   1.01	15.6   0.98						
5BDD24GX-A	1.5	230/460	770	6590	6347	6097	5829	5533	5198	4827	4436	3864					46950
				0.71	0.85	0.97	1.07	1.15	1.21	1.26	1.30	1.29					
				18.8   1.07	18.7   1.11	18.7   1.14	18.6   1.17	18.5   1.19	17.8   1.21	16.9   1.21	16.3   1.2	16.2   1.16					
5BDD24GX-A	1.5	230/460	798	6830	6596	6355	6101	5822	5512	5165	4796	4390					46950
				0.67	0.80	0.91	1.01	1.09	1.16	1.21	1.25	1.28					
				19.4   1.19	19.1   1.23	19.1   1.27	19.0   1.30	18.9   1.32	18.1   1.34	17.5   1.34	17.4   1.34	16.5   1.32					
5BDD24GX-A	1.5	230/460	832	7121	6892	6659	6426	6148	5868	5554	5212	4823					46950
				0.61	0.74	0.85	0.94	1.02	1.09	1.15	1.19	1.22					
				19.8   1.35	19.7   1.39	19.6   1.43	19.0   1.46	18.8   1.49	18.7   1.51	18.4   1.52	18.1   1.52	17.8   1.51					
5BDD24HX-A	2	230/460	877	7506	7293	7077	6852	6612	6353	6069	5757	5425	4663				46951
				0.55	0.67	0.77	0.86	0.93	1.01	1.06	1.11	1.15	1.19				
				21.0   1.58	21.0   1.62	21.0   1.66	20.0   1.70	20.0   1.74	20.0   1.76	19.8   1.78	19.5   1.79	19.3   1.78	19.0   1.75				
5BDD24HX-A	2	230/460	894	7651	7443	7231	7011	6779	6527	6255	5955	5633	4935				46951
				0.53	0.64	0.74	0.83	0.91	0.98	1.04	1.08	1.13	1.18				
				22.0   1.67	22.0   1.72	21.0   1.76	21.0   1.80	21.0   1.83	21.0   1.86	20.0   1.88	20.0   1.89	20.0   1.89	19.5   1.86				
5BDD24HX-A	2	230/460	916	7839	7633	7421	7209	6984	6730	6476	6199	5889	5195				46951
				0.50	0.61	0.71	0.80	0.87	0.94	1.00	1.05	1.09	1.15				
				22.0   1.8	22.0   1.85	22.0   1.89	22.0   1.93	22.0   1.97	21.0   2.00	21.0   2.02	21.0   2.03	21.0   2.03	20.0   2.01				

Performance is certified is for installation type A & C: Free or ducted inlet, Free outlet.

Performance is based on actual speed of test. Power ratings (BHP) does not include transmission losses.

Performance ratings include the effects of bird screen.

The sound ratings shown are loudness values in fan sones at 1.5 m (5 ft) in a hemispherical free field calculated per AMCA International Standard 301.

Values shown are for Installation Type A & C: free inlet hemispherical sone levels.



## 5BDD30 Downblast Roof Fan .....

30" Belt Drive Downblast Roof Fan

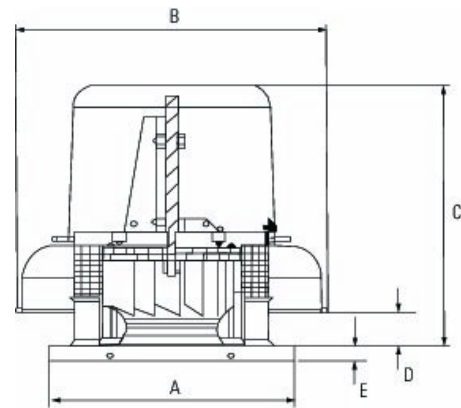


- All ventilators are UL 705 Standard listed
- Durable spun aluminum construction with steel support braces
- Inlet temperatures up to 170°F
- Backward inclined aluminum fan wheel
- Equipped with a built-in bird screen to protect discharge
- Externally cooled motor compartment

Dia. (In.)	HP	Open Dripproof	
		Single Phase	Three Phase
BDD 10 & 13	1/4	BB	-
BDD 12	1/3	CB	-
BDD 13 thru 30	1/2	DB	DX
BDD 15 thru 30	3/4	EB	EX
	1	FB	FX
BDD 15 thru 30	1-1/2	GB	GX
BDD 18 thru 36	2	-	HX
BDD 30 thru 36	3	-	JX
	5	-	KX

Recommended Roof Opening (In.)	
5BDD10	14-1/2 x 14-1/2
5BDD12	17-1/2 x 17-1/2
5BDD13	17-1/2 x 17-1/2
5BDD15	21-1/2 x 21-1/2
5BDD16	21-1/2 x 21-1/2
5BDD18	25-1/2 x 25-1/2
5BDD20	25-1/2 x 25-1/2
5BDD24	29-1/2 x 29-1/2
5BDD30	37-1/2 x 37-1/2
5BDD36	43-1/2 x 43-1/2

### Dimensions



Model	A	B	C	D	E
5BDD 30	42	51 7/16	37 1/2	8 13/32	1 1/2

Dimensions are in inches.



# 5BDD30 Downblast Roof Fan

30" Belt Drive Downblast Roof Fan



Systemair Mfg. Inc. certifies that the 5BDD series shown herein is licensed to bear the AMCA seal. The ratings shown are based on tests and procedures performed in accordance with AMCA Publication 211 and AMCA Publication 311 and comply with the requirements of the AMCA Certified Ratings Program.

Model	Rated Power (HP)	Voltage (V)	RPM (min <sup>-1</sup> )	Static Pressure (IN WC)											Item #		
				0.00	0.125	0.25	0.38	0.5	0.625	0.75	0.88	1.00	1.25	1.50		1.75	
				CFM Sones   BHP													
5BDD30DB-A	1/2	115/230	365	5732	5049	4279	11.5   0.31	9.0   0.33	8.5   0.35								46952
			378	5936	5278	4558	10.6   0.34	9.9   0.37	9.5   0.39								
			412	6470	5866	5234	4371	10.7   0.44	10.8   0.47	10.5   0.50	10.0   0.50						
5BDD30EB-A	3/4	115/208-230	429	6737	6158	5564	4831	11.4   0.50	11.1   0.53	10.7   0.56	10.3   0.57						46954
			444	6972	6412	5843	5174	11.6   0.55	11.7   0.59	11.4   0.62	10.6   0.63						
			471	7396	6869	6326	5732	4906	12.5   0.66	12.1   0.70	11.8   0.73	11.5   0.75	11.0   0.74				

Performance is certified for installation type A: free inlet, free outlet.  
 Speed (RPM) shown is nominal. Performance is based on actual speed of test.  
 Performance ratings include the effects of bird screen.  
 Power rating (BHP) does not include transmission losses.  
 The sound ratings shown are loudness values in fan sones at 1.5 m (5 ft) in a hemispherical free field calculated per AMCA International Standard 301.  
 Values shown are for Installation Type A: free inlet hemispherical sone levels.



Systemair Mfg. Inc. certifies that the 5BDD series shown herein is licensed to bear the AMCA seal. The ratings shown are based on tests and procedures performed in accordance with AMCA Publication 211 and AMCA Publication 311 and comply with the requirements of the AMCA Certified Ratings Program.

Model	Max Power (W)	Voltage (V)	Nominal Impeller Speed (min <sup>-1</sup> )	Static Pressure (IN WC)											Item #		
				0.00	0.125	0.25	0.38	0.5	0.625	0.75	0.88	1.00	1.25	1.50		1.75	
				CFM FEI Sones													
5BDD30FB-A	768	115/230	414	6700	6077	5404	4308	1.01	1.15	1.24	1.24						46956
			521	8461	7997	7509	6911	6207	4967	1894							
	1335																

Performance is certified for installation type A & C: Free or ducted inlet, Free outlet.  
 Speed (RPM) shown is nominal. Performance is based on actual speed of test. Power ratings includes transmission losses.  
 Performance ratings include the effects of bird screen.  
 The sound ratings shown are loudness values in fan sones at 1.5 m (5 ft) in a hemispherical free field calculated per AMCA International Standard 301.  
 Values shown are for Installation Type A & C: free inlet hemispherical sone levels.



# 5BDD30 Downblast Roof Fan

30" Belt Drive Downblast Roof Fan



Systemair Mfg. Inc. certifies that the 5BDD series shown herein is licensed to bear the AMCA seal. The ratings shown are based on tests and procedures performed in accordance with AMCA Publication 211 and AMCA Publication 311 and comply with the requirements of the AMCA Certified Ratings Program.

Model	Rated Power (Hp)	Voltage (V)	Nominal Impeller Speed (min <sup>-1</sup> )	Static Pressure (IN WC)											Item #					
				0.00	0.125	0.25	0.38	0.5	0.625	0.75	0.88	1.00	1.25	1.50		1.75				
				CFM FEI Sones   BHP																
5BDD30FX-A	1	230/460	486	7632 1.16 12.6   0.73	7121 1.34 12.9   0.76	6606 1.45 12.5   0.80	6054 1.54 11.7   0.82	5354 1.59 11.3   0.82							46957					
			502	7883 1.09 13.4   0.8	7388 1.26 13.1   0.84	6891 1.39 12.8   0.87	6367 1.48 12.3   0.9	5732 1.53 11.6   0.91	4686 1.52 11.4   0.86											
			519	8150 1.02 13.5   0.89	7672 1.20 13.5   0.92	7188 1.32 13.0   0.96	6681 1.39 12.7   1.00	6084 1.46 12.3   1.01	5257 1.49 11.6   0.98											
5BDD30GX-A	1.5	230/460	570	8951 0.86 15.1   1.17	8515 1.01 15.0   1.22	8078 1.13 15.0   1.26	7637 1.23 14.2   1.3	7164 1.30 13.80   1.33	6607 1.37 13.5   1.33	5901 1.39 12.9   1.31							46959			
			586	9202 0.81 15.8   1.28	8778 0.96 15.7   1.32	8354 1.08 15.5   1.36	7925 1.18 14.9   1.4	7475 1.25 14.2   1.44	6959 1.32 13.8   1.45	6328 1.36 13.6   1.43										
			594	9227 0.78 16.1   1.33	8910 0.94 15.8   1.37	8490 1.06 15.6   1.41	8058 1.15 15.0   1.46	7619 1.23 14.8   1.49	7099 1.29 12.9   1.51	6515 1.34 13.9   1.50	4859 1.31 13.1   1.29									
5BDD30HX-A	2	230/460	630	9893 0.70 17.4   1.58	9499 0.84 17.2   1.63	9104 0.95 16.8   1.68	8708 1.05 16.5   1.72	8303 1.13 16.1   1.76	7866 1.20 15.2   1.79	7363 1.25 14.9   1.80	6760 1.29 14.4   1.78	4232 1.20 13.7   1.35							46960	
			645	10128 0.67 17.8   1.70	9744 0.80 17.5   1.75	9358 0.92 17.4   1.79	8971 1.01 16.9   1.84	8578 1.09 16.4   1.88	8161 1.16 16.1   1.92	7689 1.21 15.3   1.93	7133 1.26 15.2   1.92	6398 1.27 14.6   1.87								
			653	10254 0.65 17.8   1.76	9875 0.78 17.8   1.81	9493 0.90 17.5   1.86	9111 0.99 16.9   1.91	8708 1.07 16.7   1.96	8305 1.13 16.3   1.99	7826 1.19 15.3   2.00	7311 1.24 15.3   1.99	6545 1.25 15.1   1.95								
5BDD30JX-A	3	230/460	700	10992 0.58 19.7   2.17	10638 0.71 19.6   2.22	10283 0.82 19.1   2.28	9926 0.91 18.8   2.33	9568 0.99 18.5   2.38	9201 1.06 17.6   2.42	8812 1.12 17.3   2.46	8376 1.18 16.9   2.47	7876 1.22 16.4   2.46	4295 1.14 15.4   1.75							46961
			718	11275 0.55 20.0   2.35	10929 0.67 20.0   2.40	10538 0.78 19.6   2.45	10236 0.88 19.4   2.50	9888 0.96 19.0   2.55	9533 1.03 18.5   2.60	9161 1.09 17.9   2.64	8753 1.14 17.4   2.66	8291 1.18 17.2   2.66	7037 1.23 16.5   2.57							
			748	11746 0.51 21.0   2.65	11416 0.62 21.0   2.71	11082 0.73 21.0   2.76	10749 0.81 20.0   2.82	10414 0.89 19.9   2.87	10062 0.96 19.7   2.92	9711 1.02 19.2   2.97	9357 1.07 18.3   3.00	8907 1.12 18.1   3.01	7855 1.18 17.8   2.96							

Performance is certified is for installation type A & C: Free or ducted inlet, Free outlet.

Performance is based on actual speed of test. Power ratings (BHP) does not include transmission losses.

Performance ratings include the effects of bird screen.

The sound ratings shown are loudness values in fan sones at 1.5 m (5 ft) in a hemispherical free field calculated per AMCA International Standard 301.

Values shown are for Installation Type A & C: free inlet hemispherical sone levels.



# 5BDD30 Downblast Roof Fan

30" Belt Drive Downblast Roof Fan



Systemair Mfg. Inc. certifies that the 5BDD series shown herein is licensed to bear the AMCA seal. The ratings shown are based on tests and procedures performed in accordance with AMCA Publication 211 and AMCA Publication 311 and comply with the requirements of the AMCA Certified Ratings Program.

Model	Rated Power (Hp)	Voltage (V)	Nominal Impeller Speed (min <sup>-1</sup> )	Static Pressure (IN WC)												Item #
				0.00	0.125	0.25	0.38	0.5	0.625	0.75	0.88	1.00	1.25	1.50	1.75	
				CFM		FEI		Sones		BHP						
5BDD30KX-A	5	230/460	841	13206	12911	12616	12320	12024	11727	11428	11123	10806	10103	9254	7914	46962
				0.40	0.50	0.59	0.67	0.74	0.80	0.86	0.91	0.96	1.04	1.11	1.14	
				26.0   3.77	26.0   3.83	26.0   3.89	26.0   3.95	25.0   4.01	25.0   4.07	25.0   4.13	24.0   4.19	23.0   4.23	22.0   4.28	22.0   4.25	21.0   4.04	
	872	13693	13408	13124	12839	12553	12267	11979	11689	11390	10744	9987	9050	46962		
		0.37	0.46	0.55	0.62	0.69	0.75	0.81	0.86	0.91	0.99	1.06	1.11			
		29.0   4.20	29.0   4.27	29.0   4.33	28.0   4.39	27.0   4.45	27.0   4.52	27.0   4.58	26.0   4.64	25.0   4.69	24.0   4.76	23.0   4.76	23.0   4.68			
	887	13928	13651	13370	13089	12808	12526	12238	11941	11645	11037	10278	9352	46962		
		0.36	0.45	0.53	0.60	0.67	0.73	0.79	0.84	0.88	0.96	1.03	1.08			
		30.0   4.42	29.0   4.49	30.0   4.55	30.0   4.62	29.0   4.68	28.0   4.74	28.0   4.81	27.0   4.87	27.0   4.93	25.0   5.01	24.0   5.02	24.0   4.95			

Performance is certified is for installation type A & C: Free or ducted inlet, Free outlet.

Performance is based on actual speed of test. Power ratings (BHP) does not include transmission losses.

Performance ratings include the effects of bird screen.

The sound ratings shown are loudness values in fan sones at 1.5 m (5 ft) in a hemispherical free field calculated per AMCA International Standard 301.

Values shown are for Installation Type A & C: free inlet hemispherical sone levels.



## 5BDD36 Downblast Roof Fan .....

36" Belt Drive Downblast Roof Fan

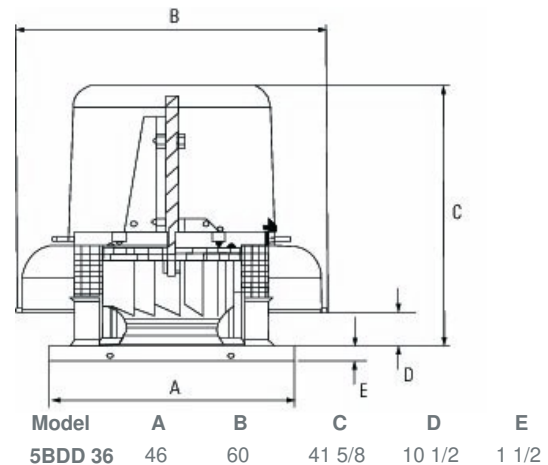


- All ventilators are UL 705 Standard listed
- Durable spun aluminum construction with steel support braces
- Inlet temperatures up to 170°F
- Backward inclined aluminum fan wheel
- Equipped with a built-in bird screen to protect discharge
- Externally cooled motor compartment

Dia. (In.)	HP	Open Dripproof	
		Single Phase	Three Phase
BDD 10 & 13	1/4	BB	-
BDD 12	1/3	CB	-
BDD 13 thru 30	1/2	DB	DX
BDD 15 thru 30	3/4	EB	EX
	1	FB	FX
BDD 15 thru 30	1-1/2	GB	GX
BDD 18 thru 36	2	-	HX
BDD 30 thru 36	3	-	JX
	5	-	KX

Recommended Roof Opening (In.)	
5BDD10	14-1/2 x 14-1/2
5BDD12	17-1/2 x 17-1/2
5BDD13	17-1/2 x 17-1/2
5BDD15	21-1/2 x 21-1/2
5BDD16	21-1/2 x 21-1/2
5BDD18	25-1/2 x 25-1/2
5BDD20	25-1/2 x 25-1/2
5BDD24	29-1/2 x 29-1/2
5BDD30	37-1/2 x 37-1/2
5BDD36	43-1/2 x 43-1/2

### Dimensions



Dimensions are in inches.



# 5BDD36 Downblast Roof Fan

36" Belt Drive Downblast Roof Fan



Systemair Mfg. Inc. certifies that the 5BDD series shown herein is licensed to bear the AMCA seal. The ratings shown are based on tests and procedures performed in accordance with AMCA Publication 211 and AMCA Publication 311 and comply with the requirements of the AMCA Certified Ratings Program.

Model	Rated Power (Hp)	Voltage (V)	Nominal Impeller Speed (min <sup>-1</sup> )	Static Pressure (IN WC)											Item #		
				0.00	0.125	0.25	0.38	0.5	0.625	0.75	0.88	1.00	1.25	1.50		1.75	
				CFM		FEI		Sones		BHP							
5BDD36HX-A	2	230/460	445	13169	12559	11912	11176	10321	9278								46969
				0.85	1.02	1.15	1.26	1.34	1.39								
				17.2   1.67	16.1   1.73	15.6   1.78	14.9   1.81	14.1   1.82	13.0   1.79								
5BDD36HX-A	2	230/460	454	13435	12838	12206	11496	10675	9698								46969
				0.82	0.98	1.11	1.22	1.29	1.35								
				18.0   1.78	16.9   1.84	16.1   1.89	15.7   1.92	14.8   1.94	13.6   1.92								
5BDD36HX-A	2	230/460	470	13908	13313	12718	12017	11284	10357	9030							46969
				0.77	0.92	1.04	1.14	1.23	1.29	1.31							
				19.5   1.97	18.2   2.03	17.8   2.09	16.8   2.13	16.1   2.15	15.0   2.14	14.9   2.07							
5BDD36JX-A	3	230/460	520	15388	14869	14322	13759	13125	12415	11616	10658						46970
				0.65	0.78	0.90	1.01	1.10	1.17	1.23	1.27						
				24.0   2.67	22.0   2.74	22.0   2.80	21.0   2.86	20.0   2.89	19.4   2.91	17.9   2.90	16.3   2.86						
5BDD36JX-A	3	230/460	531	15713	15205	14682	14125	13513	12833	12073	11189						46970
				0.62	0.75	0.87	0.97	1.06	1.14	1.20	1.24						
				24.0   2.84	23.0   2.91	22.0   2.98	22.0   3.03	21.0   3.07	19.5   3.09	18.4   3.09	17.1   3.06						
5BDD36JX-A	3	230/460	538	15921	15401	14881	14352	13712	13071	12310	11486	10129					46970
				0.60	0.73	0.85	0.95	1.03	1.11	1.17	1.22	1.23					
				24.0   2.96	23.0   3.03	23.0   3.10	22.0   3.15	21.0   3.20	20.0   3.22	19.2   3.22	18.0   3.19	17.9   3.08					
5BDD36KX-A	5	230/460	607	17962	17518	17067	16601	16107	15574	14997	14371	13687	11965				46971
				0.47	0.58	0.68	0.77	0.85	0.93	0.99	1.05	1.10	1.16				
				29.0   4.24	28.0   4.32	26.0   4.40	26.0   4.47	25.0   4.54	25.0   4.58	23.0   4.61	23.0   4.63	22.0   4.62	19.3   4.50				
5BDD36KX-A	5	230/460	620	18347	17913	17471	17017	16538	16024	15470	14870	14220	12661				46971
				0.45	0.56	0.66	0.74	0.82	0.89	0.96	1.01	1.06	1.14				
				29.0   4.52	28.0   4.6	27.0   4.68	27.0   4.76	26.0   4.82	25.0   4.88	24.0   4.91	23.0   4.93	23.0   4.92	20.0   4.84				
5BDD36KX-A	5	230/460	637	18850	18411	17972	17533	17094	16563	16023	15482	14861	13469				46971
				0.43	0.53	0.62	0.70	0.78	0.85	0.91	0.97	1.02	1.09				
				28.0   4.90	28.0   4.99	29.0   5.08	28.0   5.15	27.0   5.22	27.0   5.28	25.0   5.32	25.0   5.34	23.0   5.35	23.0   5.33				

Performance is certified for installation type A & C: Free or ducted inlet, Free outlet.

Performance is based on actual speed of test. Power ratings (BHP) does not include transmission losses.

Performance ratings include the effects of bird screen.

The sound ratings shown are loudness values in fan sones at 1.5 m (5 ft) in a hemispherical free field calculated per AMCA International Standard 301.

Values shown are for Installation Type A & C: free inlet hemispherical sone levels.