



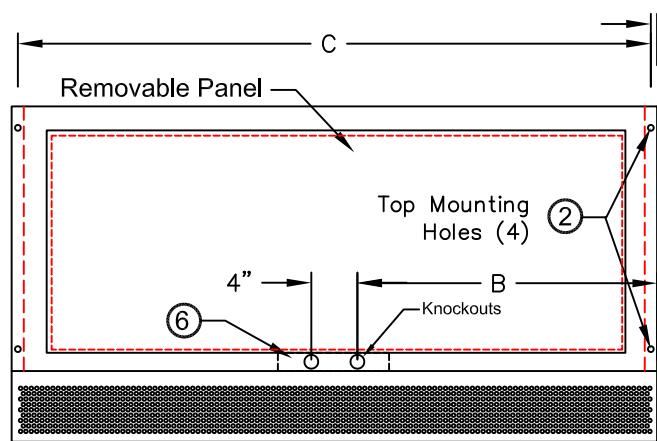
atmosphere is everything

14716 S. Broadway • Gardena, CA 90248 • USA
 TEL:(310) 532-1555 • (800) 421-1266 • FAX:(310) 324-3030
 Web Site: www.marsair.com • E-mail:info@marsair.com

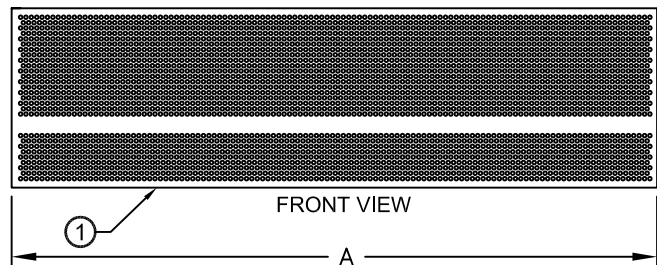
PROJECT		OPTIONS/ITEMS	
TITLE			
COMMENTS		DATE 4/14/15	PAGE
		REV. NO	
MODEL NO. STD2 Series	DRAWING NO STD2ELC-F	DRAWN BY NT	CHECKED BY
		FILE NAME	

Electric Heated Drawing

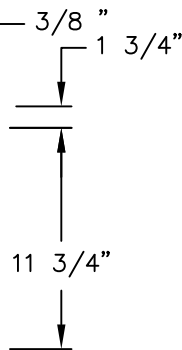
STD2 (Standard 2 Series)



TOP VIEW



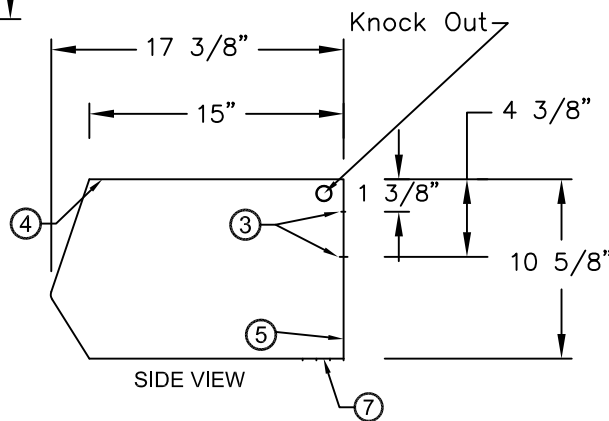
FRONT VIEW



Note: Model STD260-2
Is not AMCA Certified



Intertek



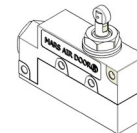
SIDE VIEW

⑩ Recommended Accessories



Remote Thermostat

⑧



Door Limit Switches

*- Use corresponding letters in "Voltage Code" then "Wattage Code" columns to complete the model numbers.

Note: MARS reserves the right to change specifications and product design without notice. Such revisions do not entitle the buyer to corresponding changes, improvements additions or replacements for previously purchased equipment.

Model Number	OVERALL LENGTH A (In)	KNOCKOUT LOCATION B (In)	REAR MOUNTING CENTER C (In)
STD236-1E**-OB	36	16	35 1/4
STD242-1E**-OB	42	19	41 1/4
STD248-1E**-OB	48	22	47 1/4
STD260-2E**-OB	60	13	59 1/4
STD272-2E**-OB	72	16	71 1/4
STD284-2E**-OB	84	19	83 1/4
STD296-2E**-OB	96	22	95 1/4
STD2108-3E**-OB	108	52	107 1/4
STD2120-3E**-OB	120	58	119 1/4
STD2144-3E**-OB	144	70	143 1/4

Notes:

- This product is designed to meet the National Electric Code (NEC) and is ETL listed for the US and Canada (UL 2021 and CSA 22.2).
- (4) 7/16" mounting holes provided on for overhead mounting provided, (2) on each end.
- (2) 1/2" key hole slots and (2) 7/16" mounting holes are provided on each end of the back side for wall mounting.
- All units have a self contained one piece cabinet, fire retardant and corrosion proof paint lock metal double protected with baked on Obsidian Black color, rust preventative electrostatic polyurethane powder coating.
- Cabinet is to be mounted from overhead or fastened to a wall and has sufficient strength for suspension from both ends without intermediate support.
- Control panel is pre-wired and pre-mounted inside the cabinet.
- Unit is to be installed such that air flow is unobstructed. Unit has a 3" air discharge nozzle containing adjustable air directional vanes with 40° sweep front to back.
- Wall mounted 24 volt thermostat with remote "heat/off/fan" switch is shipped loose and field installed. Terminal block provided inside control panel.
- Circuit protection as per NEC by others.
- Door limit switch recommended is field installed and/or wired by others. The door limit switch is to be mounted such that the air curtain turns on as door begins to open. To prevent unit damage, the mounting brackets must be installed such that the bottom of the air curtain is not below the door header.

STD2 (Standard 2) Series

Electric Heated

Model Lengths 36" – 144"



atmosphere is everything

14716 S. BROADWAY, GARDENA, CA 90248 • Ph: (310)532-1555 Fax: (310)-532-3030 • www.marsair.com
© Copyright Mars Air Systems, LLC 2014

Electric Heated Data Sheet

Applications: Environmental Separation: Max Height 12' / Insect Control: Max Height 10'

STD2 (Standard) Series 2	Mechanical Data						AMCA Certified Lab Data				
	Model Number	Nozzle Length (in)	Length (in)	Depth (in)	Height (in)	Motor (hp)	Weight (lbs)	Max Core Velocity at Nozzle	Avg Velocity (fpm)	Volume (cfm)	Uniformity (%)
STD236-1E**-OB	36	36	17.5	11	1/2	90	3609	1664	1040	79	410
STD242-1E**-OB	42	42	17.5	11	1/2	95	3537	1577	1150	82	500
STD248-1E**-OB	48	48	17.5	11	1/2	100	3855	1379	1149	59	515
STD260-2E**-OB	60	60	17.5	11	Two 1/2	130	3421	1928	2008	93	740
STD272-2E**-OB	72	72	17.5	11	Two 1/2	180	3609	1664	2080	79	820
STD284-2E**-OB	84	84	17.5	11	Two 1/2	190	3537	1577	2300	82	1000
STD296-2E**-OB	96	96	17.5	11	Two 1/2	225	3855	1379	2298	59	1030
STD2108-3E**-OB	108	108	17.5	11	Three 1/2	270	3609	1664	3120	79	1230
STD2120-3E**-OB	120	120	17.5	11	Three 1/2	280	4077	1688	3516	77	1560
STD2144-3E**-OB	144	144	18	11	Three 1/2	330	3855	1379	3447	59	1545

* - Use corresponding letters in "Voltage Code" & "Wattage Code" to complete the model numbers. Note: Data above for 1725 RPM at 60 Hz. 50 Hz is 1425 RPM with a 17% reduction in the performance data.
1. The AMCA Certified Ratings Seal applies to airflow rate, average outlet velocity, outlet velocity uniformity, velocity projection and power rating at free delivery only.
2. Rated data shown are only for base (electric heated) units, as shown.

Features:

- Air Curtain
- 1/2 HP Continuous Duty TEAO Motors
- Sleek self-contained one-piece heavy gauge corrosion proof paint lock metal design
- ETL Certified to conform to UL 2021 (US) and CSA 22.2 (Canada) Standards
- AMCA Certified to AMCA 211 (see table above for models available)
- (4) 7/16" top and wall mounting holes provided
- Cabinet has sufficient strength for fastening to wall on both ends without intermediate support
- Adjustable air directional vanes with 40° sweep front to back
- Standard color is Obsidian Black
- Rust preventative electrostatic polyurethane powder coating
- 18-month parts warranty
- Freight Included (FOB Continental USA)
- Proudly Made in the USA
- Electric Heater Coil and Wiring
- Coils are an open type for rapid temperature rise to be located in the air curtain's intake directly in the air stream
- Manual reset thermal overload protection provided
- Controls internally mounted, prewired ready for power connection and accessible through the intake or top access panels
- 3/4" knockouts are provided on the top and ends
- An on/off switch is unit mounted at the bottom and the control voltage is 24 volts
- A wall mounted 24-volt thermostat is included (field wired and installed by others)

Mars Recommended Accessories (See Submittals for additional details):

- Door Limit Switches
 - 99-014, Combination mechanical switch, 250V, 1HP Max
 - 99-018, Commercial surface mounted magnetic switch, 24V
- Controllers
 - SK-EU, SimpleLink, 208V-575V, (460-575V, 3PH needs additional 115-230V, 1PH power), Integral Control, Nema1
- Factory Mounted Options
 - INS-TD, Adjustable time delay (1 sec to 17 min)
 - INS-HD, Heat on demand
 - BMS-300, BMS for monitor and control
Note: Dry contact provided in panel for monitoring motor and heater. 24Vac signal provided from panel for controlling motor and heater.
- Disconnects
 - 99-122 & 99-123, Non-Fused Disconnect, remote mounted, 600V, 32A & 80A respectively, 3 Pole, IP65
 - 99-***-**, Fused Disconnect, remote mounted, 240V-600V, 30A-100A, 3 Pole, Nema3R (See disconnect submittals for complete part numbers)
- Brackets
 - B0004, Adjustable mounting bracket set, 3 1/2" clearance
 - B0041, Transom mounting bracket set for STD2
 - 09-510, Vertical mounting kit (Not applicable for units with 16kW/motor, 208V & 230V, 3PH)
- Filters
 - J21** - 1, 1/4" aluminum pressed frame bank filters (** = Model Length, t = # of Motors) (Not applicable for units SimpleLink & 16kW/motor, 208V & 230V, 3PH)

Sound Levels: (measured at 10' in an open field)

1 Motor Unit = 66 dBA, 2 Motor Unit = 68 dBA, 3 Motor Unit = 71 dBA & 4 Motor Unit = 73 dBA

Model	Projection Velocity	
	Distance from nozzle (in)	Avg. Core Velocity (FPM)
STD236-1E*	40	850
	80	610
	120	509
	160	469
	200	423



AIR PERFORMANCE
AIR MOVEMENT AND CONTROL ASSOCIATION INTERNATIONAL, INC.

Three Phase Electrical Data (FLA)	Unit Voltage (Voltage Code)				Heater kilowatts (Wattage Code)			Temp Rise
	208v/3Ø (E)	230v/3Ø (F)	460v/3Ø (H)	575v/3Ø (I)	(H)	(N)	(S)	°F
STD236-1E**-OB	36.0	33.0	16.0	13.0	12	-	-	36
STD242-1E**-OB	36.0	33.0	16.0	13.0	12	-	-	33
STD248-1E**-OB	36.0	33.0	16.0	13.0	12	-	-	33
STD260-2E**-OB	72.0	66.0	32.0	26.0	-	24	-	38
STD272-2E**-OB	72.0	66.0	32.0	26.0	-	24	-	36
STD284-2E**-OB	72.0	66.0	32.0	26.0	-	24	-	33
STD296-2E**-OB	72.0	66.0	32.0	26.0	-	24	-	33
STD2108-3E**-OB	108.0	98.0	48.0	39.0	-	-	36	36
STD2120-3E**-OB	108.0	98.0	48.0	39.0	-	-	36	32
STD2144-3E**-OB	108.0	98.0	48.0	39.0	-	-	36	33

* - Use corresponding letters in "Voltage Code" and "Wattage Code" to complete the model numbers. For ampacity, multiply FLA X 1.25

Motor amps per motor: 5.1A @ 115v; 2.5A @ 208/230v/1Ø; 1.8A @ 208v/3Ø; 1.6A @ 230v/3Ø; 0.8A @ 460v/3Ø; 0.7A @ 575v/3Ø.

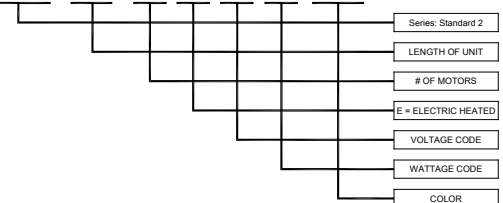
Single Phase Electrical Data (FLA)	Unit Voltage (Voltage Code)		Heater kilowatts (Wattage Code)			Temp Rise
	208v/1Ø (B)	230v/1Ø (C)	(B)	(H)	(K)	°F
STD236-1E**-OB	32.0	29.0	6	-	-	18
STD242-1E**-OB	32.0	29.0	6	-	-	16
STD248-1E**-OB	32.0	29.0	6	-	-	17
STD260-2E**-OB	63.0	58.0	-	12	-	19
STD272-2E**-OB	63.0	58.0	-	12	-	18
STD284-2E**-OB	63.0	58.0	-	12	-	16
STD296-2E**-OB	63.0	58.0	-	12	-	17
STD2108-3E**-OB	95.0	86.0	-	-	18	18
STD2120-3E**-OB	95.0	86.0	-	-	18	16
STD2144-3E**-OB	95.0	86.0	-	-	18	17

* - Use corresponding letters in "Voltage Code" and "Wattage Code" to complete the model numbers. For ampacity, multiply FLA X 1.25

Motor amps per motor: 2.5A @ 208/230v/1Ø

EXAMPLE

STD2 72 - 2 E H N - OB



MARS Air Systems, LLC certifies that the Air Curtains shown on this data sheet are licensed to bear the AMCA seal. The ratings shown are based on tests and procedures performed in accordance with AMCA Publication 211 and comply with the requirements of the AMCA Certified Ratings Program.

The AMCA Certified Ratings Seal applies to airflow rate, average outlet velocity, outlet velocity uniformity, velocity projection and power rating at free delivery only.

NOTE: Model STD260-2 is not AMCA Certified.

NOTE: MARS AIR SYSTEMS, LLC reserves the right to change specifications and product design without notice. Such revisions do not entitle the buyer to corresponding changes, improvements, additions, or replacements for previously purchased equipment.