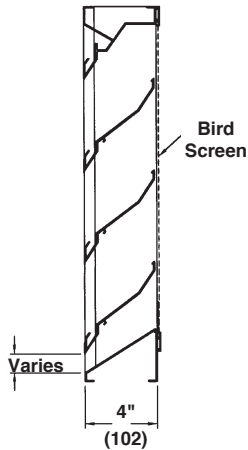
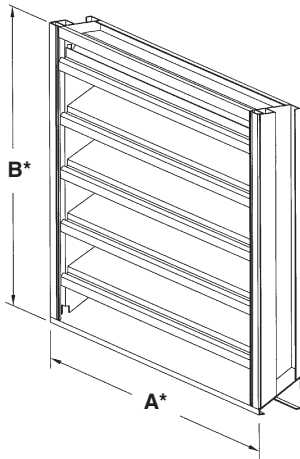




1300 ENTERPRISE ROAD GENEVA, ALABAMA 36340-0580 800-239-4621 FAX 1-800-508-1469 www.reliablelouvers.com

## 4375D, 4375DS, 4375D125 DRAINABLE STATIONARY LOUVERS

### EXTRUDED ALUMINUM



#### STANDARD CONSTRUCTION

##### FRAME

4" (102) deep, 6063T6 extruded aluminum.  
 4375D - .081" (2.1) nominal wall thickness.  
 4375DS - .125" (3.2) nominal wall thickness.  
 4375D125 - .125" (3.2) nominal wall thickness. Downspouts and caulking surfaces provided.

##### BLADES

6063T6 extruded aluminum.  
 4375D - .081" (2.1) nominal wall thickness.  
 4375DS - .081" (2.1) nominal wall thickness.  
 4375D125 - .125" (3.2) nominal wall thickness. Blades are positioned at 37<sup>1</sup>/<sub>2</sub>° angle and spaced approximately 5<sup>3</sup>/<sub>32</sub>" (129) center to center.

##### SCREEN

5/8" x .040" (16 x 1) expanded, flattened aluminum bird screen in removable frame. Screen adds approximately 1/2" (13) to louver depth.

##### FINISH

Mill.

##### MINIMUM SIZE

12"w x 12"h (305 x 305).

##### APPROXIMATE SHIPPING WEIGHT

4375D - 4 lbs./ft.<sup>2</sup> (19.5 kg/m<sup>2</sup>).  
 4375DS - 5 lbs./ft.<sup>2</sup> (24.4 kg/m<sup>2</sup>).  
 4375D125 - 6 lbs./ft.<sup>2</sup> (29.3 kg/m<sup>2</sup>).

##### MAXIMUM FACTORY ASSEMBLY SIZE

Single sections shall not exceed 120"w x 90"h (3048 x 2286) or 90"w x 120"h (2286 x 3048). Louvers larger than the maximum single section size will require field assembly of smaller sections.

##### BLADE SUPPORTS

Louvers may be provided with rear mounted blade supports that increase overall louver depth depending on louver size, assembly configuration or windload.

Consult Reliable for additional information.

#### FEATURES

The 4375D, 4375DS and 4375D125 offers:

- 54% Free Area.
- Published performance ratings based on testing in accordance with AMCA Publication 511.
- High performance frame system with drainable head collects and removes water to provide excellent water penetration performance.
- Drain gutter in each blade minimizes water cascade between blades.
- Architecturally styled, hidden mullions allowing continuous line appearance up to 120" (3048).
- Aluminum construction for low maintenance and high resistance to corrosion.
- All welded construction.

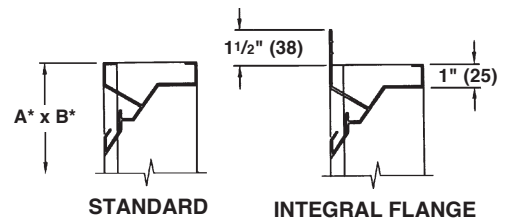
#### VARIATIONS

Variations to the basic design of these louvers are available at additional cost. They include:

- Extended sill.
- Hinged frame.
- Front or rear security bars.
- Filter racks.
- Universal sleeve
- Blank off panels
- A variety of bird and insect screens.
- Optional finishes available at additional cost: Prime coat, 50% PVDF (modified fluoropolymer), Epoxy, Pearledize, 70% PVDF, Clear and Anodized finishes. (Some variation in anodize color consistency is possible).
- Please provide rough opening dimensions for "A" and "B" dimensions. Unless ordered as actual size, the louver will be provided 1/2" (12) smaller than "A" and "B" dimensions provided.

Consult Reliable for other special requirements.

#### FRAME CONSTRUCTION



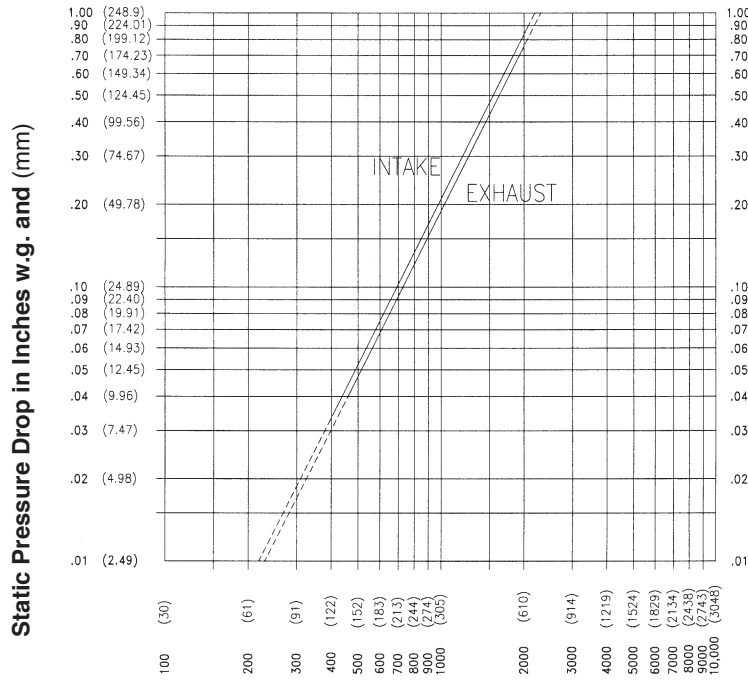
#### LEED Material Information

VOC Content (g/L) - 0	Recycled Content (MR 4.1 & 4.2)
Manufacturing Locations (MR 5.1)	10% Post Consumer
Geneva, AL 36340	30% Pre-Consumer

Dimensions in inches, parenthesis ( ) indicate millimeters.

\*Units furnished 1/4" (6) smaller than given opening dimensions.

**PRESSURE DROP**

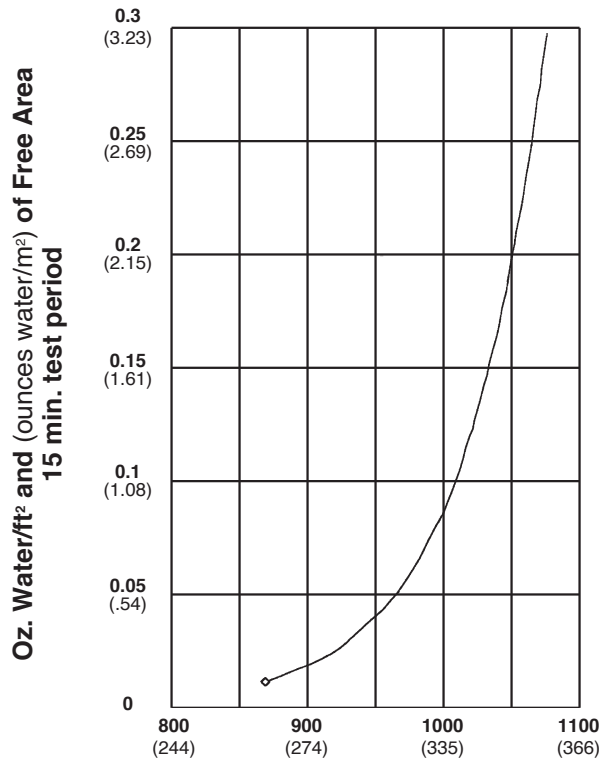


**Air Velocity in feet and (meters) per minute through Free Area**

**WATER PENETRATION GRAPH**

Test size 48" wide x 48" high (1219 x 1219)

Beginning point of water penetration at .01 oz./sq. ft. is 873 fpm (266 m/min).



**Free Area Velocity in feet and (meters) per minute  
Standard air .075 lb/ft³**

Ratings do not include the effect of a bird screen.



Reliable Products certifies that the 4375D, 4375DS and 4375D125 Louvers shown herein are licensed to bear the AMCA Seal. The ratings shown are based on tests and procedures performed in accordance with AMCA Publication 511 and comply with the requirements of the AMCA Certified Ratings Program. The AMCA Certified Ratings Seal applies to air performance ratings and water penetration ratings only.

**FREE AREA GUIDE**

Free Area Guide shows free area in ft<sup>2</sup> and m<sup>2</sup> for various sizes of 4375D.  
 Width – Inches and Meters

Height – Inches and Meters

	12	18	24	30	36	42	48	54	60	66	72	78	84	90	96	102	108	114	120
	0.30	0.45	0.60	0.75	0.90	1.05	1.20	1.35	1.50	1.65	1.80	1.95	2.10	2.25	2.40	2.55	2.70	2.85	3.00
12	0.34	0.54	0.74	0.94	1.15	1.35	1.55	1.75	1.95	2.16	2.36	2.56	2.76	2.97	3.17	3.37	3.57	3.77	3.98
0.30	0.03	0.05	0.07	0.09	0.11	0.13	0.14	0.16	0.18	0.20	0.22	0.24	0.26	0.28	0.29	0.31	0.33	0.35	0.37
18	0.61	0.97	1.34	1.71	2.07	2.44	2.80	3.17	3.53	3.90	4.26	4.63	4.99	5.36	5.73	6.09	6.46	6.82	7.19
0.45	0.06	0.09	0.12	0.16	0.19	0.23	0.26	0.29	0.33	0.36	0.40	0.43	0.46	0.50	0.53	0.57	0.60	0.63	0.67
24	0.88	1.41	1.94	2.47	3.00	3.53	4.05	4.58	5.11	5.64	6.17	6.70	7.23	7.76	8.28	8.81	9.34	9.87	10.40
0.60	0.08	0.13	0.18	0.23	0.28	0.33	0.38	0.43	0.48	0.52	0.57	0.62	0.67	0.72	0.77	0.82	0.87	0.92	0.97
30	1.15	1.85	2.54	3.23	3.92	4.61	5.31	6.00	6.69	7.38	8.07	8.77	9.46	10.15	10.84	11.53	12.23	12.92	13.61
0.75	0.10	0.16	0.22	0.27	0.33	0.39	0.45	0.51	0.57	0.63	0.68	0.74	0.80	0.86	0.92	0.98	1.04	1.10	1.15
36	1.32	2.11	2.91	3.70	4.49	5.28	6.08	6.87	7.66	8.45	9.24	10.04	10.83	11.62	12.41	13.21	14.00	14.79	15.58
0.90	0.12	0.20	0.27	0.34	0.42	0.49	0.56	0.64	0.71	0.79	0.86	0.93	1.01	1.08	1.15	1.23	1.30	1.38	1.45
42	1.59	2.55	3.50	4.46	5.42	6.37	7.33	8.28	9.24	10.19	11.15	12.11	13.06	14.02	14.97	15.93	16.88	17.84	18.80
1.05	0.15	0.24	0.33	0.41	0.50	0.59	0.68	0.77	0.86	0.95	1.04	1.13	1.21	1.30	1.39	1.48	1.57	1.66	1.75
48	1.86	2.98	4.10	5.22	6.34	7.46	8.58	9.70	10.82	11.94	13.05	14.17	15.29	16.41	17.53	18.65	19.77	20.89	22.01
1.20	0.17	0.28	0.38	0.49	0.59	0.69	0.80	0.90	1.01	1.11	1.21	1.32	1.42	1.53	1.63	1.73	1.84	1.94	2.05
54	2.14	3.42	4.70	5.98	7.27	8.55	9.83	11.11	12.40	13.68	14.96	16.24	17.52	18.81	20.09	21.37	22.65	23.94	25.22
1.35	0.20	0.32	0.44	0.56	0.68	0.80	0.91	1.03	1.15	1.27	1.39	1.51	1.63	1.75	1.87	1.99	2.11	2.23	2.35
60	2.41	3.85	5.30	6.75	8.19	9.64	11.08	12.53	13.97	15.42	16.87	18.31	19.76	21.20	22.65	24.09	25.54	26.98	28.43
1.50	0.22	0.36	0.49	0.63	0.76	0.90	1.03	1.17	1.30	1.43	1.57	1.70	1.84	1.97	2.11	2.24	2.38	2.51	2.64
66	2.58	4.12	5.67	7.21	8.76	10.31	11.85	13.40	14.94	16.49	18.04	19.58	21.13	22.67	24.22	25.77	27.31	28.86	30.40
1.65	0.24	0.38	0.53	0.67	0.81	0.96	1.10	1.25	1.39	1.53	1.68	1.82	1.96	2.11	2.25	2.40	2.54	2.68	2.83
72	2.85	4.56	6.27	7.98	9.69	11.39	13.10	14.81	16.52	18.23	19.94	21.65	23.36	25.07	26.78	28.49	30.20	31.91	33.61
1.80	0.26	0.42	0.58	0.74	0.90	1.06	1.22	1.38	1.54	1.70	1.85	2.01	2.17	2.33	2.49	2.65	2.81	2.97	3.13
78	3.12	4.99	6.87	8.74	10.61	12.48	14.36	16.23	18.10	19.97	21.85	23.72	25.59	27.46	29.34	31.21	33.08	34.95	36.83
1.95	0.29	0.46	0.64	0.81	0.99	1.16	1.34	1.51	1.68	1.86	2.03	2.21	2.38	2.55	2.73	2.90	3.08	3.25	3.42
84	3.39	5.43	7.46	9.50	11.54	13.57	15.61	17.64	19.68	21.72	23.75	25.79	27.82	29.86	31.89	33.93	35.97	38.00	40.04
2.10	0.32	0.50	0.69	0.88	1.07	1.26	1.45	1.64	1.83	2.02	2.21	2.40	2.59	2.78	2.97	3.16	3.34	3.53	3.72
90	3.67	5.86	8.06	10.26	12.46	14.66	16.86	19.06	21.26	23.46	25.66	27.86	30.05	32.25	34.45	36.65	38.85	41.05	43.25
2.25	0.34	0.55	0.75	0.95	1.16	1.36	1.57	1.77	1.98	2.18	2.39	2.59	2.80	3.00	3.20	3.41	3.61	3.82	4.02
96	3.94	6.30	8.66	11.02	13.39	15.75	18.11	20.47	22.84	25.20	27.56	29.92	32.29	34.65	37.01	39.37	41.74	44.10	46.46
2.40	0.37	0.59	0.81	1.03	1.24	1.46	1.68	1.90	2.12	2.34	2.56	2.78	3.00	3.22	3.44	3.66	3.88	4.10	4.32
102	4.10	6.57	9.03	11.49	13.96	16.42	18.88	21.34	23.81	26.27	28.73	31.19	33.66	36.12	38.58	41.05	43.51	45.97	48.43
2.55	0.38	0.61	0.84	1.07	1.30	1.53	1.76	1.99	2.21	2.44	2.67	2.90	3.13	3.36	3.59	3.82	4.05	4.28	4.50
108	4.38	7.00	9.63	12.25	14.88	17.51	20.13	22.76	25.38	28.01	30.64	33.26	35.89	38.51	41.14	43.77	46.39	49.02	51.64
2.70	0.41	0.65	0.90	1.14	1.38	1.63	1.87	2.12	2.36	2.60	2.85	3.09	3.34	3.58	3.83	4.07	4.31	4.56	4.80
114	4.65	7.44	10.23	13.02	15.81	18.60	21.38	24.17	26.96	29.75	32.54	35.33	38.12	40.91	43.70	46.49	49.28	52.07	54.86
2.85	0.43	0.69	0.95	1.21	1.47	1.73	1.99	2.25	2.51	2.77	3.03	3.29	3.55	3.80	4.06	4.32	4.58	4.84	5.10
120	4.92	7.87	10.83	13.78	16.73	19.68	22.64	25.59	28.54	31.49	34.45	37.40	40.35	43.30	46.26	49.21	52.16	55.11	58.07
3.00	0.46	0.73	1.01	1.28	1.56	1.83	2.11	2.38	2.65	2.93	3.20	3.48	3.75	4.03	4.30	4.58	4.85	5.13	5.40

**FREE AREA GUIDE**

Free Area Guide shows free area in ft<sup>2</sup> and m<sup>2</sup> for various sizes of  
**4375D125**. Width – Inches and Meters

Height – Inches and Meters

	12	18	24	30	36	42	48	54	60	66	72	78	84	90	96	102	108	114	120
	0.30	0.45	0.60	0.75	0.90	1.05	1.20	1.35	1.50	1.65	1.80	1.95	2.10	2.25	2.40	2.55	2.70	2.85	3.00
12	0.33	0.53	0.72	0.92	1.12	1.31	1.51	1.71	1.91	2.10	2.30	2.50	2.69	2.89	3.09	3.29	3.48	3.68	3.88
0.30	0.03	0.05	0.07	0.09	0.10	0.12	0.14	0.16	0.18	0.20	0.21	0.23	0.25	0.27	0.29	0.31	0.32	0.34	0.36
18	0.60	0.96	1.32	1.68	2.04	2.41	2.77	3.13	3.49	3.85	4.21	4.57	4.93	5.29	5.65	6.01	6.37	6.74	7.10
0.45	0.06	0.09	0.12	0.16	0.19	0.22	0.26	0.29	0.32	0.36	0.39	0.43	0.46	0.49	0.53	0.56	0.59	0.63	0.66
24	0.87	1.40	1.92	2.45	2.97	3.50	4.02	4.55	5.07	5.59	6.12	6.64	7.17	7.69	8.22	8.74	9.27	9.79	10.31
0.60	0.08	0.13	0.18	0.23	0.28	0.33	0.37	0.42	0.47	0.52	0.57	0.62	0.67	0.72	0.76	0.81	0.86	0.91	0.96
30	1.15	1.83	2.52	3.21	3.90	4.59	5.28	5.96	6.65	7.34	8.03	8.72	9.40	10.09	10.78	11.47	12.16	12.84	13.53
0.75	0.11	0.17	0.23	0.30	0.36	0.43	0.49	0.55	0.62	0.68	0.75	0.81	0.87	0.94	1.00	1.07	1.13	1.19	1.26
36	1.32	2.11	2.91	3.70	4.49	5.28	6.07	6.87	7.66	8.45	9.24	10.04	10.83	11.62	12.41	13.21	14.00	14.79	15.58
0.90	0.12	0.20	0.27	0.34	0.42	0.49	0.56	0.64	0.71	0.79	0.86	0.93	1.01	1.08	1.15	1.23	1.30	1.38	1.45
42	1.59	2.55	3.51	4.46	5.42	6.37	7.33	8.29	9.24	10.20	11.15	12.11	13.07	14.02	14.98	15.93	16.89	17.85	18.80
1.05	0.15	0.24	0.33	0.41	0.50	0.59	0.68	0.77	0.86	0.95	1.04	1.13	1.22	1.30	1.39	1.48	1.57	1.66	1.75
48	1.87	2.99	4.11	5.22	6.34	7.46	8.58	9.70	10.82	11.94	13.06	14.18	15.30	16.42	17.54	18.66	19.78	20.90	22.02
1.20	0.17	0.28	0.38	0.49	0.59	0.69	0.80	0.90	1.01	1.11	1.21	1.32	1.42	1.53	1.63	1.74	1.84	1.94	2.05
54	2.14	3.42	4.71	5.99	7.27	8.56	9.84	11.12	12.40	13.69	14.97	16.25	17.54	18.82	20.10	21.39	22.67	23.95	25.24
1.35	0.20	0.32	0.44	0.56	0.68	0.80	0.91	1.03	1.15	1.27	1.39	1.51	1.63	1.75	1.87	1.99	2.11	2.23	2.35
60	2.41	3.85	5.31	6.75	8.20	9.65	11.09	12.54	13.99	15.43	16.88	18.33	19.77	21.22	22.67	24.11	25.56	27.01	28.46
1.50	0.22	0.36	0.49	0.63	0.76	0.90	1.03	1.17	1.30	1.44	1.57	1.70	1.84	1.97	2.11	2.24	2.38	2.51	2.65
66	2.59	4.14	5.69	7.24	8.79	10.34	11.89	13.44	14.99	16.55	18.10	19.65	21.20	22.75	24.30	25.85	27.40	28.95	30.51
1.65	0.24	0.38	0.53	0.67	0.82	0.96	1.11	1.25	1.39	1.54	1.68	1.83	1.97	2.12</					



**4375D**  
**4375DS**  
**4375D125**

## SUGGESTED SPECIFICATION

### GENERAL

Furnish and install at locations shown on the plans or as described in schedules drainable louvers. Stationary louvers shall be manufactured in an ISO 9001 certified factory.

Stationary louvers shall be furnished with bird and/or insect screens, supports and finishes as specified and as required for a complete installation. Stationary louvers shall incorporate drainable stationary blade. All blades and frames shall be constructed of 6063-T5 aluminum alloy.

### MATERIAL

Stationary louvers shall be 4" (102) deep. Louver blade and frame nominal wall thickness shall be .081" (2.1) for 4375DS, or .125" (3.2) for 4375D125. Integral gutters shall be incorporated into blades, louver head and jamb frames.

### PERFORMANCE

The louver shall be AMCA certified for Water Penetration and Air Performance conforming to the following minimum requirements: Free Area: 8.58 Square Feet (0.80 m<sup>2</sup>).

Maximum pressure drop at 1000 fpm (305 m/min): 0.20" w.g. (0.05 kPA).

Free Area Velocity at Beginning Point of Water Penetration: 873 fpm (+266 m/min).

### STRUCTURAL DESIGN

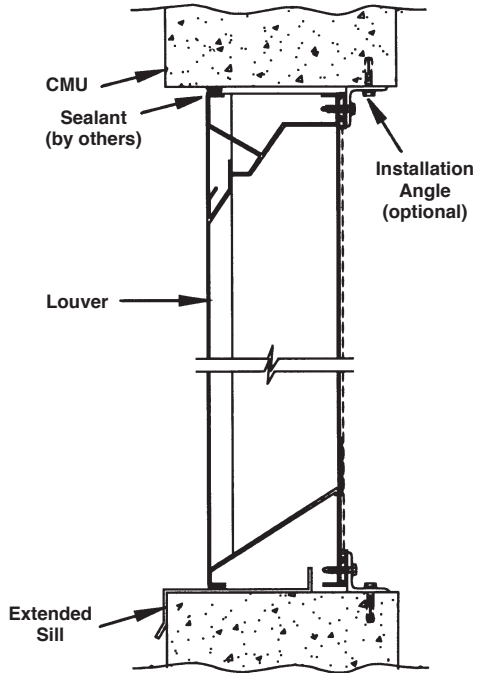
Integral structural supports shall be designed and furnished by the louver manufacturer to carry a wind load of not less than 30 psf (1.44 kpa)

### FINISH

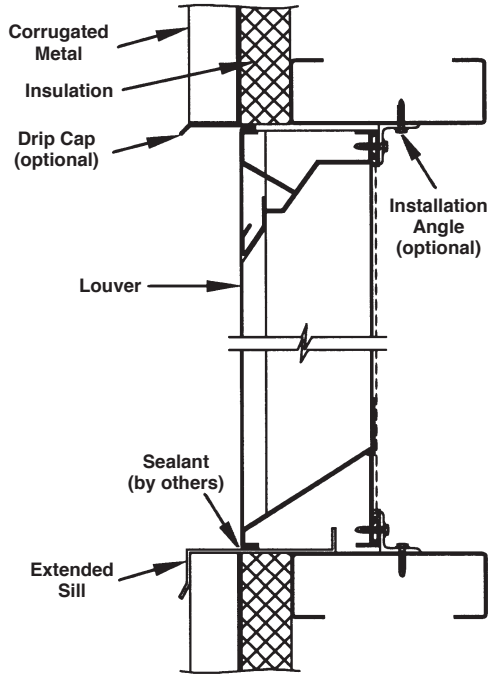
Select finish specification from Reliable Finishes Brochure.

**TYPICAL INSTALLATION DETAILS**

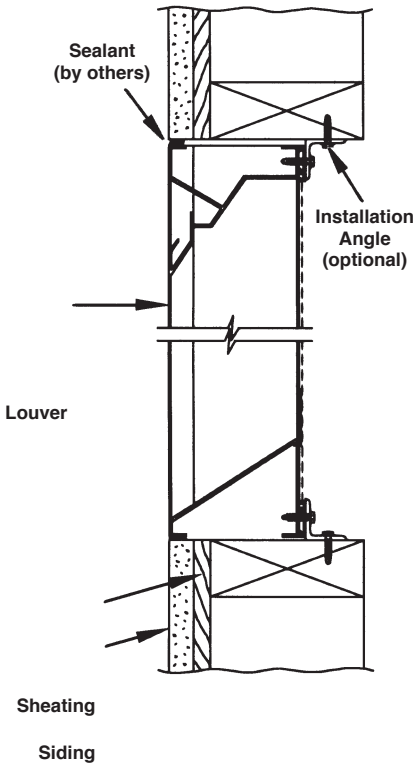
**Masonry Wall**



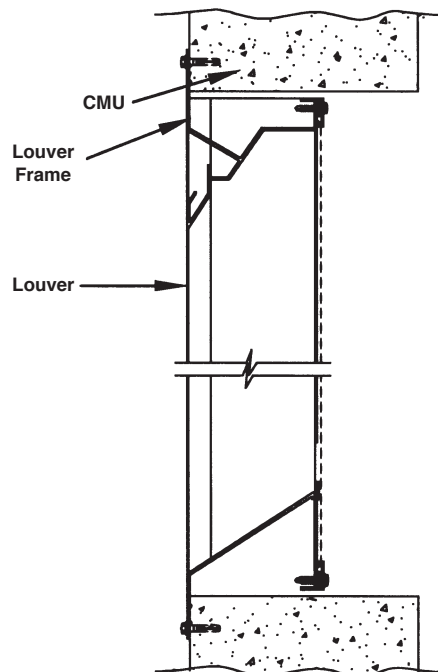
**Metal Panel Wall**



**Wood Installation**



**Flange Mount**



Options are available at additional cost.  
Fasteners into substrate are not provided by Reliable.