

6425DD

Continuous Drainable Stationary Louver

Extruded Aluminum

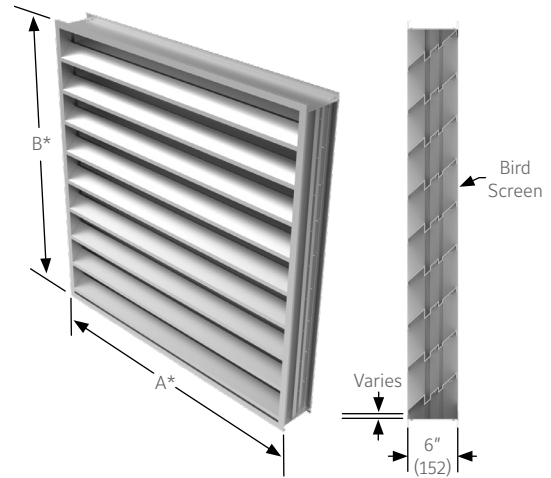


APPLICATION

The 6425DD is a 6" deep, extruded aluminum, double drainable, stationary louver that is designed to protect air intake and exhaust openings on exterior walls. This louver is designed with a drainable gutter system that channels water from blades to downspouts in the jambs. Here, water is exhausted out of the front of the louver. The architecturally styled hidden mullion allows for a continuous line appearance.

STANDARD CONSTRUCTION

Frame	6" (125) deep, 6063T6 extruded aluminum with .081" (2.1) nominal wall thickness. Downspouts and caulking surfaces provided.
Blades	6063T6 extruded aluminum with .081" (2.1) nominal wall thickness. Double drainable blades positioned at 42 1/2° angle and spaced at approximately 5" (127) center to center.
Screen	3/4" x .051" (19 x 1.3) expanded, flattened aluminum bird screen in removable frame. Screen adds approximately 1/2" (13) to louver depth.
Finish	Mill.
Minimum Size	12"w x 12"h (305 x 305).
Approximate Shipping Weight	8 lbs. per sq. ft. (39.1 per m ²).
Maximum Factory Assembly Size	Shall be 60 sq. ft. (6m ²) per section, not to exceed 120"w x 90"h (3048 x 2286) or 90"w x 120"h (2286 x 3048). Louvers larger than the maximum factory assembly size will require field assembly of smaller sections.
Supports	Louvers may be provided with rear mounted blade supports that increase overall louver depth depending on louver size, assembly configuration or windload.



VARIATIONS

Variations to the basic design of the louver are available at additional cost. They include:

- Extended sill.
- Hinged frame.
- Front or rear security bars.
- Filter racks.
- A variety of bird and insect screens.
- Selection of finishes: prime coat, 50% PVDF (modified fluoropolymer), epoxy, Pearledize, 70% PVDF, clear and color anodize. (Some variation in anodize color consistency is possible).

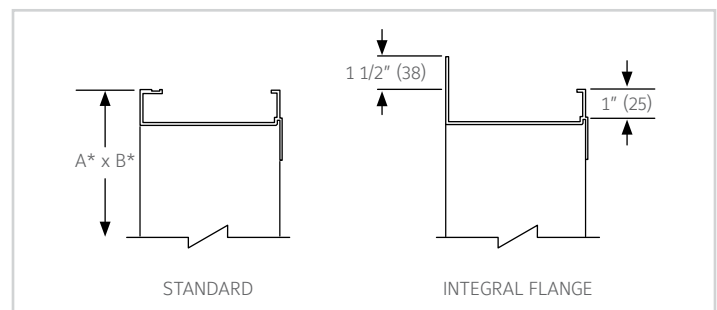
Consult Reliable for other special requirements.

FEATURES

The 6425DD offers:

- Drainable louver performance with continuous blade construction.
- Recessed vertical drain mullions that do not interrupt exterior blade appearance.
- Drainable blades with recessed gutters for collection and removal of rain and a smooth exterior surface providing a clean, architectural look.
- 51% free area, beginning water penetration at 852 fpm free area velocity with .09" (2.29) pressure drop.
- AMCA licensed performance.
- Extruded aluminum construction for low maintenance and high resistance to corrosion.

FRAME CONSTRUCTION



Note:

- Dimensions in inches, parenthesis () indicate millimeters.
- Units furnished 1/4" (6) smaller than given opening dimensions.

PERFORMANCE DATA

AMCA Standard 500 provides a reasonable basis for testing and rating louvers. Testing to AMCA 500 is performed under a certain set of laboratory conditions. This does not guarantee that other conditions will not occur in the actual environment where louvers must operate.

The louver system should be designed with a reasonable safety factor for louver performance. To ensure protection from water carryover, design with a performance level somewhat below maximum desired pressure drop and .01 oz./sq. ft. of water penetration.

FREE AREA GUIDE

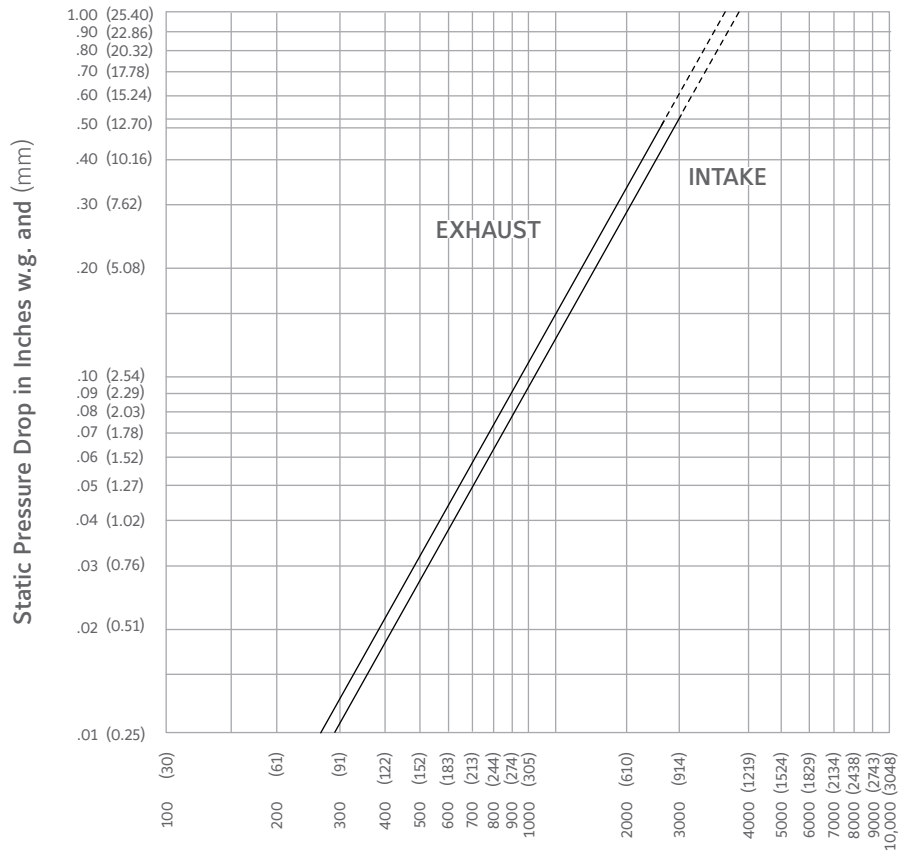
Free Area Guide shows free area in ft² and m² for various sizes of 6425DD.

		Width – Inches and Meters																		
		12	18	24	30	36	42	48	54	60	66	72	78	84	90	96	102	108	114	120
		0.30	0.46	0.61	0.76	0.91	1.07	1.22	1.37	1.52	1.68	1.83	1.98	2.13	2.29	2.44	2.59	2.74	2.90	3.05
Height – Inches and Meters	12	0.26	0.46	0.67	0.87	1.07	1.27	1.47	1.68	1.88	2.08	2.28	2.48	2.69	2.89	3.09	3.29	3.49	3.70	3.90
	0.30	0.02	0.04	0.06	0.08	0.10	0.12	0.14	0.16	0.17	0.19	0.21	0.23	0.25	0.27	0.29	0.31	0.32	0.34	0.36
	18	0.40	0.71	1.01	1.32	1.63	1.94	2.24	2.55	2.86	3.17	3.48	3.78	4.09	4.40	4.71	5.02	5.32	5.63	5.94
	0.46	0.04	0.07	0.09	0.12	0.15	0.18	0.21	0.24	0.27	0.29	0.32	0.35	0.38	0.41	0.44	0.47	0.50	0.52	0.55
	24	0.63	1.11	1.60	2.08	2.57	3.06	3.54	4.03	4.51	5.00	4.49	5.97	6.46	6.94	7.43	7.91	8.40	8.89	9.37
	0.61	0.06	0.10	0.15	0.19	0.24	0.28	0.33	0.37	0.42	0.46	0.51	0.56	0.60	0.65	0.69	0.74	0.78	0.83	0.87
	30	0.86	1.52	2.18	2.85	3.51	4.18	4.84	5.50	6.17	6.83	7.49	8.16	8.82	9.49	10.15	10.81	11.48	12.14	12.80
	0.76	0.08	0.14	0.20	0.24	0.33	0.39	0.45	0.51	0.57	0.64	0.70	0.76	0.82	0.88	0.94	1.01	1.07	1.13	1.19
	36	1.09	1.93	2.77	3.61	4.45	5.30	6.14	6.98	7.82	8.66	9.50	10.34	11.19	12.03	12.87	13.71	14.55	15.39	16.24
	0.91	0.10	0.18	0.26	0.34	0.31	0.49	0.57	0.65	0.73	0.81	0.88	0.96	1.04	1.12	1.20	1.28	1.35	1.43	1.51
	42	1.32	2.34	3.36	4.38	5.40	6.41	7.43	8.45	9.47	10.49	11.51	12.53	13.55	14.57	15.59	16.61	17.63	18.65	19.67
	1.07	0.05	0.09	0.13	0.17	0.21	0.25	0.29	0.33	0.37	0.41	0.45	0.49	0.53	0.57	0.61	0.65	0.69	0.73	0.77
	48	1.45	2.58	3.70	4.83	5.96	7.08	8.21	9.33	10.46	11.58	12.71	13.83	14.96	16.08	17.21	18.33	19.46	20.58	21.71
	1.22	0.14	0.24	0.34	0.45	0.55	0.66	0.76	0.87	0.97	1.08	1.18	1.29	1.39	1.50	1.60	1.71	1.81	1.91	2.02
54	1.68	2.99	4.29	5.59	6.90	8.20	9.50	10.81	12.11	13.41	14.72	16.02	17.32	18.63	19.93	21.23	22.54	23.84	25.14	
1.37	0.16	0.28	0.40	0.52	0.64	0.76	0.88	1.01	1.13	1.25	1.37	1.49	1.61	1.73	1.85	1.97	2.10	2.22	2.34	
60	1.91	3.39	4.88	6.36	7.84	9.32	10.80	12.28	13.76	15.24	16.73	18.21	19.69	21.19	22.65	24.13	25.61	27.09	28.57	
1.52	0.18	0.32	0.45	0.59	0.73	0.87	1.00	1.14	1.28	1.42	1.56	1.69	1.83	1.97	2.11	2.24	2.38	2.52	2.66	
66	2.14	3.80	5.46	7.12	8.78	10.44	12.10	13.76	15.42	17.08	18.73	20.39	22.05	23.71	25.37	27.03	28.69	30.35	32.01	
1.68	0.20	0.35	0.51	0.66	0.82	0.97	1.13	1.28	1.43	1.59	1.74	1.90	2.05	2.21	2.36	2.51	2.67	2.82	2.98	
72	2.37	4.21	6.05	7.88	9.72	11.56	13.40	15.23	17.07	18.91	20.74	22.58	24.42	26.25	28.09	29.93	31.77	33.60	35.44	
1.83	0.22	0.39	0.56	0.73	0.90	1.07	1.25	1.42	1.59	1.76	1.93	2.10	2.27	2.44	2.61	2.78	2.95	3.13	3.30	
78	2.51	4.45	6.40	8.34	10.28	12.22	14.17	16.11	18.05	20.00	21.94	23.88	25.82	27.77	29.71	31.65	33.60	35.54	37.48	
1.98	0.23	0.41	0.59	0.78	0.96	1.14	1.32	1.50	1.68	1.86	2.04	2.22	2.40	2.58	2.76	2.94	3.12	3.31	3.49	
84	2.74	4.86	6.98	9.10	11.22	13.34	15.46	17.58	19.71	21.83	23.95	26.07	28.19	30.31	32.43	34.55	36.67	38.79	40.91	
2.13	0.25	0.45	0.65	0.85	1.04	1.24	1.44	1.64	1.83	2.03	2.23	2.42	2.62	2.82	3.02	3.21	3.41	3.61	3.80	
90	2.97	5.27	7.57	9.87	12.16	14.46	16.76	19.06	21.36	23.66	25.96	28.25	30.55	32.85	35.15	37.45	39.75	42.05	44.35	
2.29	0.28	0.49	0.70	0.92	1.13	1.35	1.56	1.77	1.99	2.20	2.41	2.63	2.84	3.06	3.27	3.48	3.70	3.91	4.12	

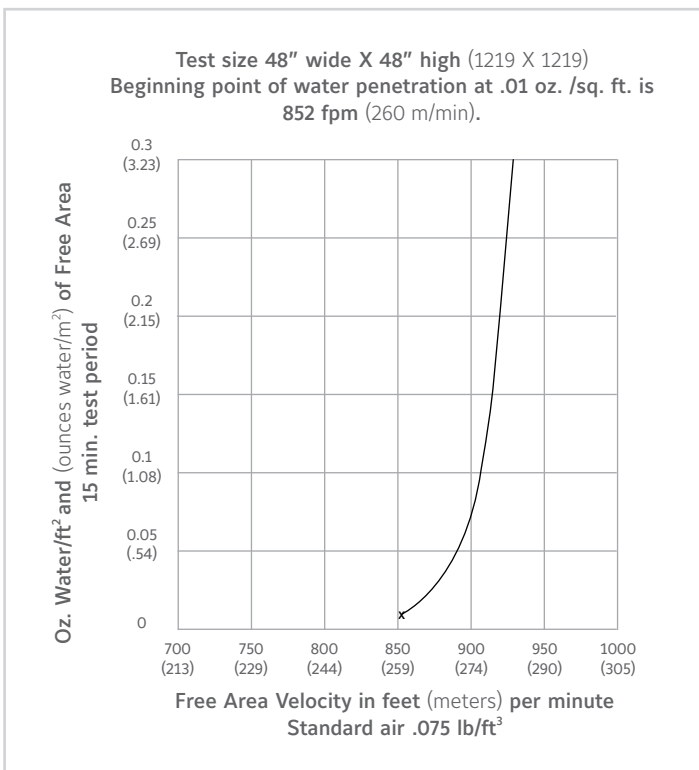
Printed on recycled paper using vegetable based inks



PRESSURE DROP



WATER PENETRATION GRAPH

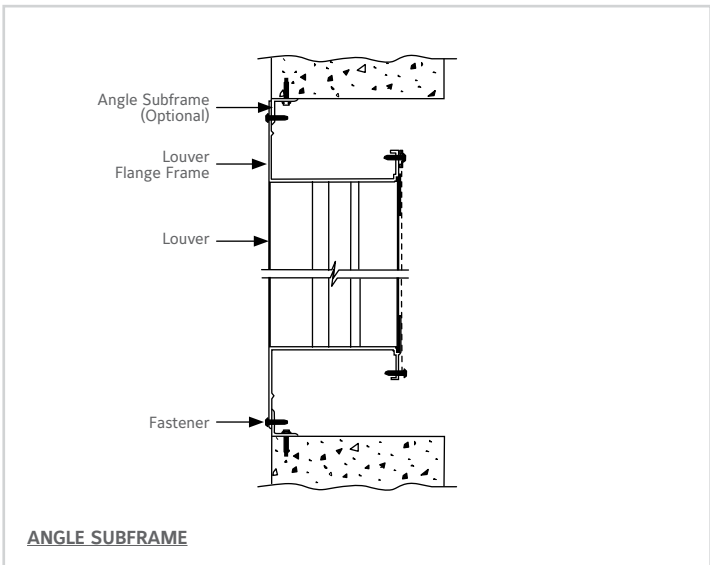
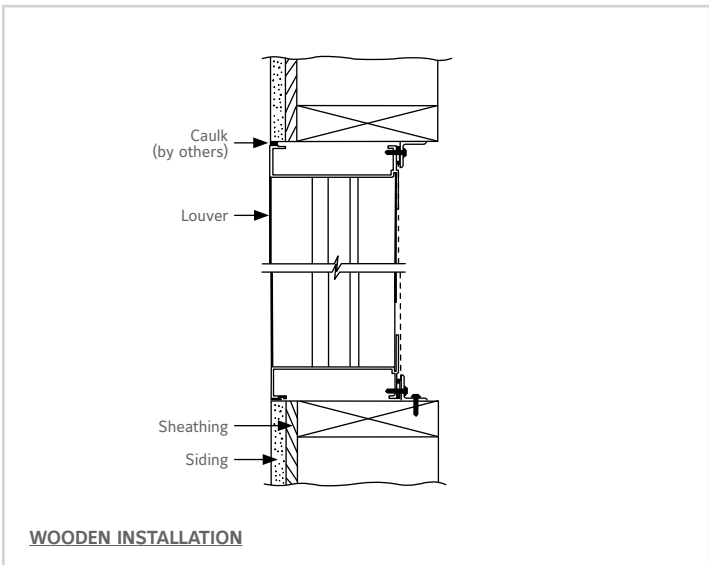
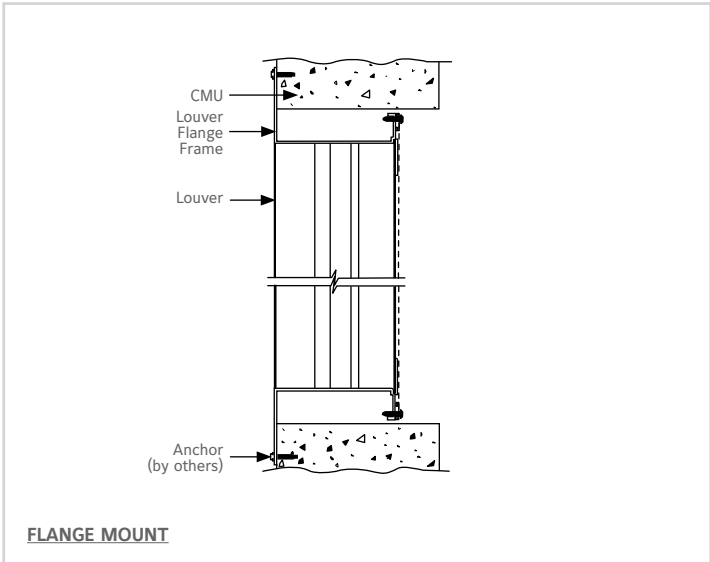
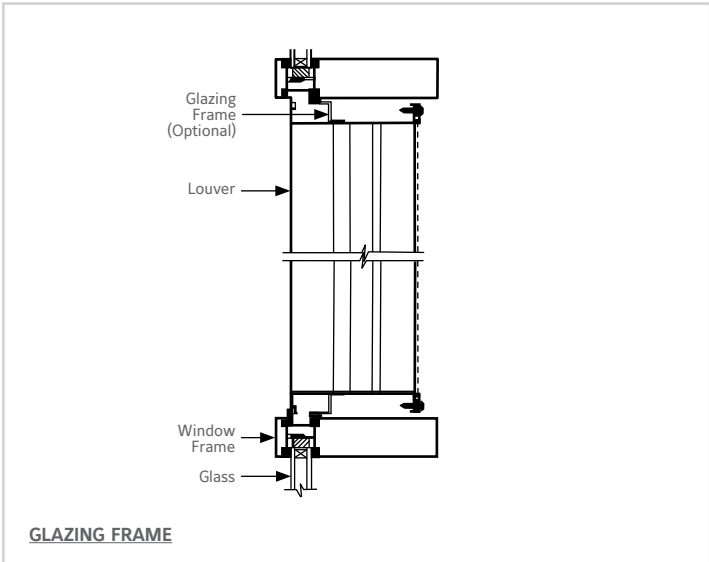
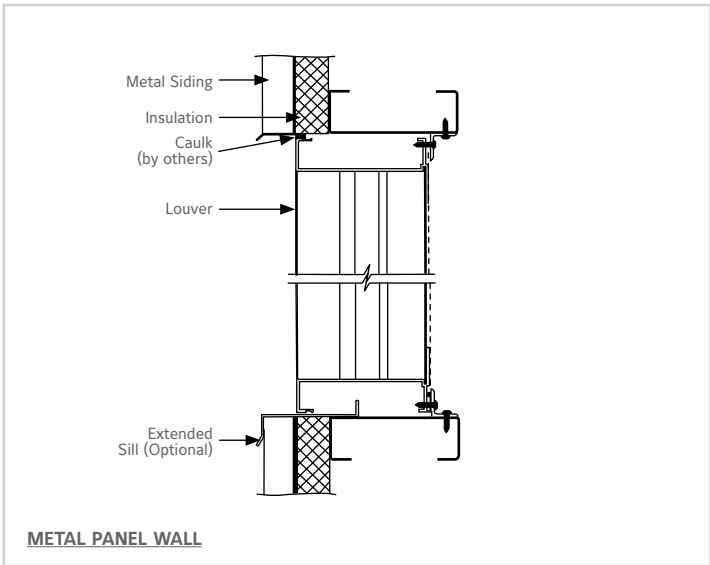
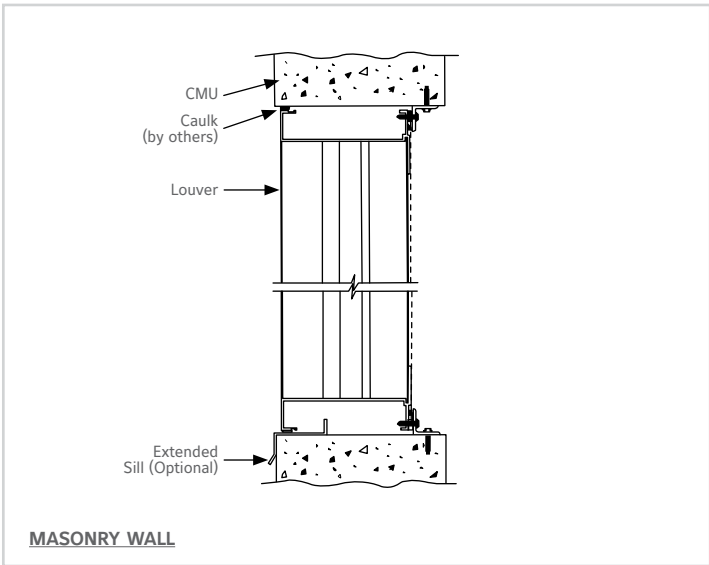


Ratings do not include the effect of a bird screen.



Reliable Products certifies that the 6425DD Louvers shown herein are licensed to bear the AMCA Seal. The ratings shown are based on tests and procedures performed in accordance with AMCA Publication 511 and comply with the requirements of the AMCA Certified Ratings Program. The AMCA Certified Ratings Seal applies to air performance ratings and water penetration ratings only.

TYPICAL INSTALLATION DETAILS



Options at additional cost.

SUGGESTED SPECIFICATION

Furnish and install louvers as hereinafter specified where shown on plans or as described in schedules. Louvers shall be stationary type with downspouts in jambs and mullions. Louvers shall have a minimum of 50% free area based on a 48" w x 48" h (1219 x 1219) size. Stationary blades shall be contained within a 6" (152) frame. Louver components (heads, jambs, sills, blades & mullions) shall be factory assembled by the louver manufacturer. Louver sizes too large for shipping shall be built up by the contractor from factory assembled louver sections to provide overall sizes required. Louver design shall incorporate structural supports required to withstand a wind load of 30 lbs. per sq. ft. (1.44kPa) (equivalent of a 110 mph wind [177 KPH] - specifier may substitute any loading required).

Louvers shall be Reliable model 6425DD.

Frame: 6" (152) deep, 0.081" (2.1) wall thickness.

Blades: .081" (2.1) wall thickness at 42 1/2° angle and spaced approximately 5" (127) centers.

Screen: 3/4" x .051" (19 x 1.3) expanded, flattened aluminum in removable frame.

Finish: Select finish specification from Reliable Finishes Brochure.

Published louver performance data bearing the AMCA Certified Ratings Seal for Air Performance & Water Penetration must be submitted for approval prior to fabrication and must demonstrate pressure drop and water penetration equal to or less than the Reliable model specified.

LINKS TO IMPORTANT DOCUMENTS

Document Title
Finishes and Color Guide
Limited Warranty Document



1300 Enterprise Road, P.O. Box
580, Geneva, Alabama 36340
Tel: 334-684-3621
Tel: 800-624-3914
Fax: 800-508-1469