

4375DC

Wind-Driven Rain Resistant Drainable Stationary Louver

Miami Dade Approved, NOA #22-1215.06, AMCA Certified

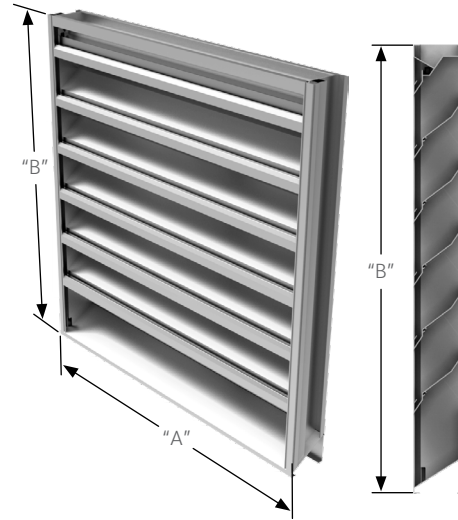


APPLICATION

The 4375DC is a Miami Dade approved 4" extruded aluminum louver with drainable blades. Approved for use in open structures with provisions to manage weather infiltration in the US. AMCA certified for Air and Water Penetration performance with 51% free area. Aluminum construction for low maintenance and high resistance to corrosion.

STANDARD CONSTRUCTION

Frame	4" (102) deep, 6063T6 extruded aluminum with .081" (2.1) nominal wall thickness. Downspouts and caulking slots provided.
Blades	6063T6 extruded aluminum, .081" (2.1) nominal wall thickness. Drainable blades are positioned at 37 1/2° angle and spaced approximately 5 3/32" (129) center to center.
Screen	5/8" x .040" (16 x 1) expanded, flattened aluminum bird screen in removable frame. Screen adds approximately 1/2" (13) to louver depth.
Finish	Mill.
Approximate Shipping Weight	6 lbs./ft. ² (29.3 kg/m ²).
Minimum Size	12"w x 12"h (305 x 305).
Maximum Size	90" X 120" (2286 X 3048) factory assembly, unlimited width x 120"h (3048) field assembly. Louvers larger than the maximum factory assembly size will require field assembly of smaller sections.
Installation	The 4375DC must be installed per the appropriate installation detail. Reference the appropriate separate installation instruction sheets.
Blade Supports	Factory installed on louvers over 30" (762) wide. Support depth is 3" (76) on louvers 60" (1524) tall and under. Support depth is 6" (152) on louvers over 60" (1524) tall.



VARIATIONS

Variations to the basic design of these louvers are available at additional cost. They include:

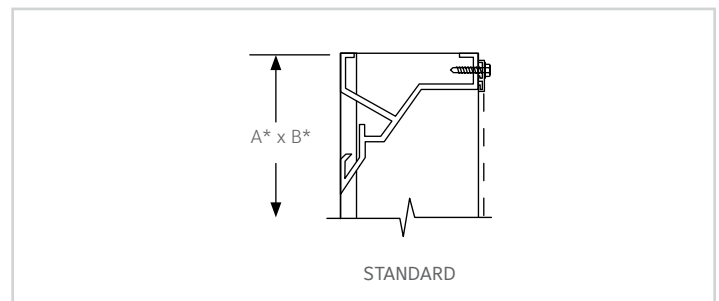
- Extended sill
- Front or rear security bars
- Filter racks
- Universal sleeve
- Blank off panels
- Integral flange
- A variety of bird and insect screens
- Optional finishes available at additional cost. Please see [Paint Finishes and Color Guide](#) and Finish Type Model Chart for more details. Contact louversales@reliable.com with questions

Consult Reliable for other special requirements.

FEATURES

- Approved for use in open structures with provisions to manage weather infiltration (wet rooms)
- Maximum windload ±130 PSF (6.22 kPa)
- Beginning point of water penetration at .01 oz./sq ft. is 1055 fpm (322 m/min)
- Drain gutter in each blade minimizes water cascade between blades
- 49% Free Area
- Published performance ratings based on testing in accordance with AMCA Publication 511 & 512
- Aluminum construction for low maintenance and high resistance to corrosion
- All welded construction
- Miami Dade NOA #22-1215.06
- AMCA 550 High Velocity Wind Driven Rain Resistant with Damper

FRAME CONSTRUCTION



NOTES:

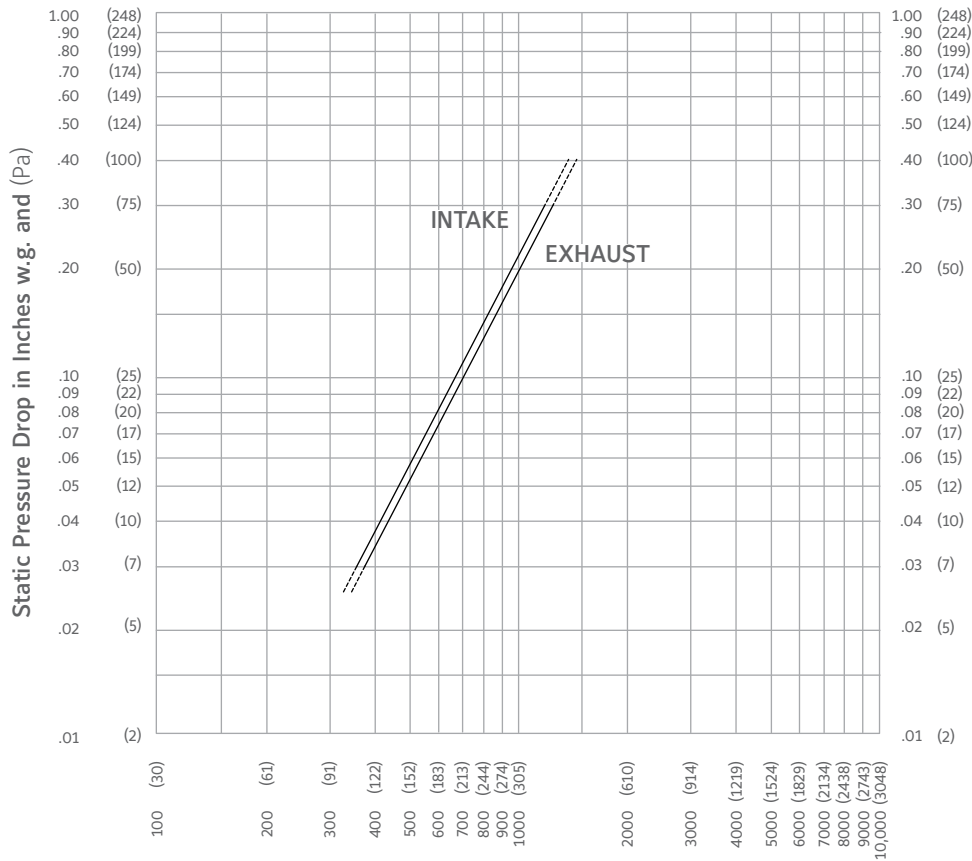
- Dimensions in inches, parenthesis () indicate millimeters.
- Units can be furnished actual size or with size deducts.

FREE AREA GUIDE

Free Area Guide shows free area in ft² and m² for various sizes of 4375DC.

		Width – Inches and Meters														
		12 0.3	18 0.46	24 0.61	30 0.76	36 0.91	42 1.07	48 1.22	54 1.37	60 1.52	66 1.68	72 1.83	78 1.98	80 2.03	86 2.18	90 2.30
Height – Inches and Meters	12 0.3	0.16 0.01	0.36 0.03	0.57 0.05	0.78 0.04	0.99 0.09	1.2 0.11	1.41 0.13	1.62 0.15	1.82 0.17	2.03 0.19	2.24 0.21	2.45 0.23	2.52 0.23	2.73 0.25	2.90 0.26
	18 0.46	0.28 0.03	0.65 0.06	1.02 0.09	1.39 0.13	1.76 0.16	2.13 0.2	2.5 0.23	2.87 0.27	3.24 0.3	3.62 0.34	3.99 0.37	4.36 0.41	4.48 0.42	4.85 0.46	5.15 0.48
	24 0.61	0.4 0.04	0.93 0.09	1.47 0.14	2 0.19	2.53 0.24	3.07 0.29	3.6 0.33	4.13 0.38	4.67 0.43	5.2 0.48	5.73 0.53	5.6 0.52	5.78 0.54	5.98 0.56	6.14 0.58
	30 0.76	0.52 0.05	1.22 0.11	1.91 0.18	2.61 0.24	3.3 0.31	4 0.37	4.7 0.44	5.39 0.5	6.09 0.57	6.78 0.63	7.48 0.7	7.3 0.68	7.54 0.70	7.80 0.73	8.01 0.74
	36 0.91	0.62 0.06	1.44 0.13	2.27 0.21	3.09 0.29	3.92 0.36	4.74 0.44	5.57 0.52	6.4 0.59	7.22 0.67	8.05 0.75	8.87 0.83	9.7 0.9	9.97 0.93	10.80 1.01	11.45 1.07
	42 1.07	0.74 0.07	1.73 0.16	2.72 0.25	3.7 0.34	4.69 0.44	5.68 0.53	6.67 0.62	7.65 0.71	8.64 0.8	9.63 0.9	10.62 0.99	11.6 1.08	11.93 1.11	12.92 1.20	13.70 1.27
	48 1.22	0.86 0.08	2.01 0.19	3.16 0.29	4.31 0.4	5.46 0.51	6.61 0.61	7.76 0.72	8.91 0.83	10.06 0.94	11.21 1.04	12.36 1.15	13.51 1.26	13.90 1.29	15.05 1.40	15.97 1.49
	54 1.37	0.98 0.09	2.3 0.21	3.61 0.34	4.92 0.46	6.23 0.58	7.55 0.7	8.86 0.82	10.17 0.95	11.48 1.07	12.8 1.19	14.11 1.31	15.42 1.43	15.86 1.47	17.17 1.59	18.22 1.69
	60 1.52	1.11 0.1	2.58 0.24	4.06 0.38	5.53 0.51	7.01 0.65	8.48 0.79	9.95 0.93	11.43 1.06	12.9 1.2	14.38 1.34	15.85 1.47	17.33 1.61	17.82 1.66	19.30 1.80	20.48 1.91
	66 1.68	1.2 0.11	2.81 0.26	4.41 0.41	6.02 0.56	7.62 0.71	9.23 0.86	10.83 1.01	12.43 1.16	14.04 1.31	15.64 1.45	17.25 1.6	18.85 1.75	19.39 1.80	21.00 1.95	22.28 2.07
	72 1.83	1.33 0.12	3.09 0.29	4.86 0.45	6.36 0.62	8.39 0.78	10.16 0.94	11.93 1.11	13.69 1.27	15.46 1.44	17.23 1.6	18.99 1.77	20.76 1.93	21.36 1.99	23.12 2.16	24.53 2.29
	78 1.98	1.45 0.13	3.38 0.31	5.31 0.49	7.23 0.67	9.16 0.85	11.09 1.03	13.02 1.21	14.95 1.39	16.88 1.57	18.81 1.75	20.74 1.93	22.67 2.11	23.31 2.17	25.24 2.35	26.78 2.49
	84 2.13	1.57 0.15	3.66 0.34	5.75 0.53	7.84 0.73	9.94 0.92	12.03 1.12	14.12 1.31	16.21 1.51	18.3 1.7	20.39 1.9	22.49 2.09	24.58 2.29	25.27 2.35	27.37 2.55	29.04 2.70
	90 2.29	1.69 0.16	3.94 0.37	6.2 0.58	8.45 0.79	10.71 1.00	12.96 1.21	15.21 1.41	17.47 1.62	19.72 1.83	21.98 2.04	24.23 2.25	26.49 2.46	27.24 2.53	29.50 2.74	31.30 2.91
	96 2.44	1.81 0.17	4.23 0.39	6.65 0.62	9.06 0.84	11.48 1.07	13.89 1.29	16.31 1.52	18.73 1.74	21.14 1.97	23.56 2.19	25.98 2.42	28.39 2.64	29.20 2.72	31.62 2.95	33.55 3.13
	102 2.59	1.91 0.18	4.46 0.41	7 0.65	9.55 0.89	12 1.12	14.64 1.36	17.19 1.6	19.73 1.84	22.28 2.07	24.82 2.31	27.37 2.55	29.92 2.78	30.76 2.86	33.31 3.10	35.35 3.28
108 2.74	2.03 0.19	4.74 0.44	7.45 0.69	10.16 0.94	12.87 1.2	15.57 1.45	18.28 1.7	20.99 1.95	23.7 2.2	26.41 2.46	29.12 2.71	31.82 2.96	32.73 3.04	34.83 3.23	36.64 3.40	
114 2.9	2.15 0.2	5.02 0.47	7.89 0.73	10.77 1	13.64 1.27	16.51 1.54	19.38 1.8	22.25 2.07	25.12 2.34	27.99 2.6	30.86 2.87	33.73 3.14	34.69 3.23	36.92 3.44	38.84 3.62	
120 3.05	2.27 0.21	5.31 0.49	8.34 0.78	11.37 1.06	14.41 1.34	17.44 1.62	20.47 1.9	23.51 2.19	26.54 2.47	29.57 2.75	32.61 3.03	35.64 3.31	36.65 3.41	39.01 3.63	41.03 3.82	

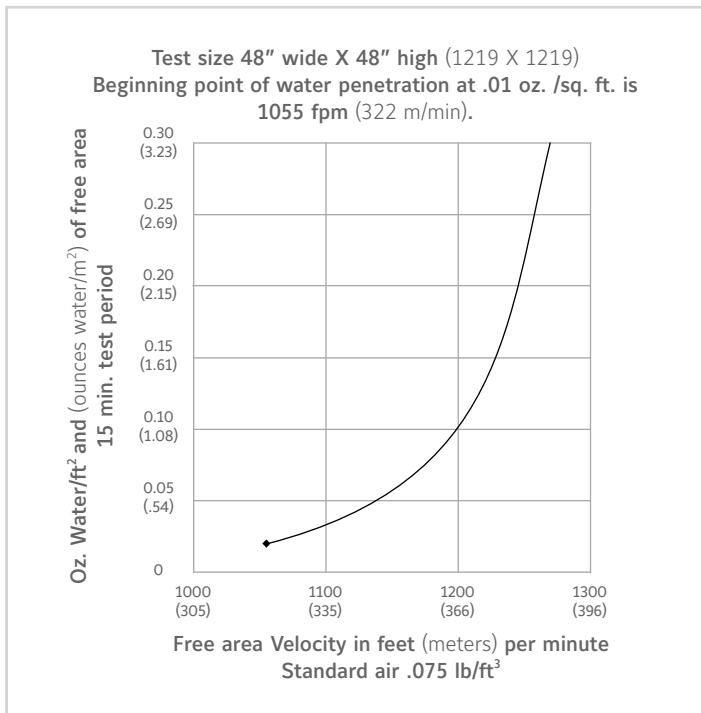
PRESSURE DROP



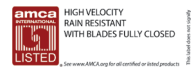
Air Velocity in feet and (meters) per minute through Free Area
(Data corrected to standard air density and AMCA figure or figure testes to 5.5)

Ratings do not include the effect of a bird screen.

WATER PENETRATION GRAPH



Ratings do not include the effect of a bird screen.



Reliable Products certifies that the 4375DC Louvers shown herein are licensed to bear the AMCA Seal. The ratings shown are based on tests and procedures performed in accordance with AMCA Publication 511 and comply with the requirements of the AMCA Certified Ratings Program. The AMCA Certified Ratings Seal applies to air performance ratings and water penetration ratings only.

Reliable certifies that the 4375DC shown herein is approved to bear the AMCA listing label. The ratings shown are based on tests and procedures performed in accordance with AMCA publications and comply with the required of the AMCA listing label program.

The AMCA listing label applies to Wind Borne Debris Impact Resistant and High Velocity Wind Driven Rain Resistant Louvers (with optional damper in closed position).

AMCA550 DAMPER OPTIONS

CONTROL DAMPER

4RAFBCD4 (Thin Line Control Damper)

(The 4RAFBCD4 combines the lowest leakage attainable-6cfm/sq.ft. at 4" w.g. with thin line, 4" overall depth when the damper is completely open.)

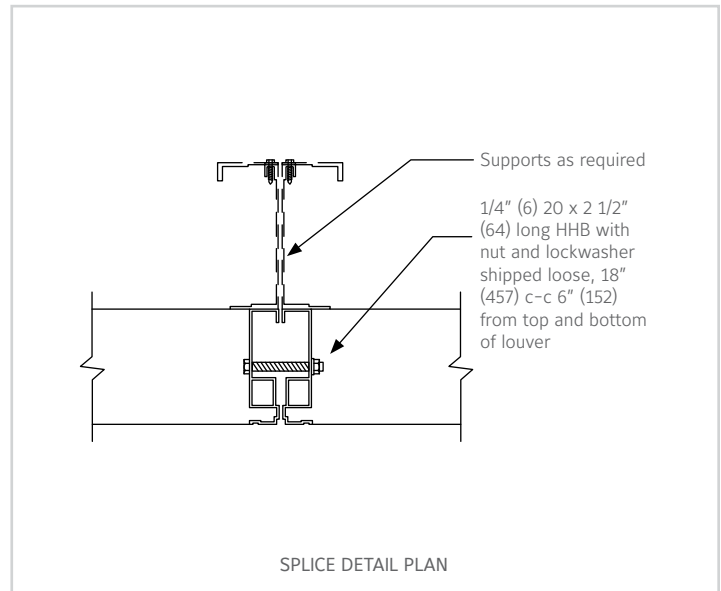
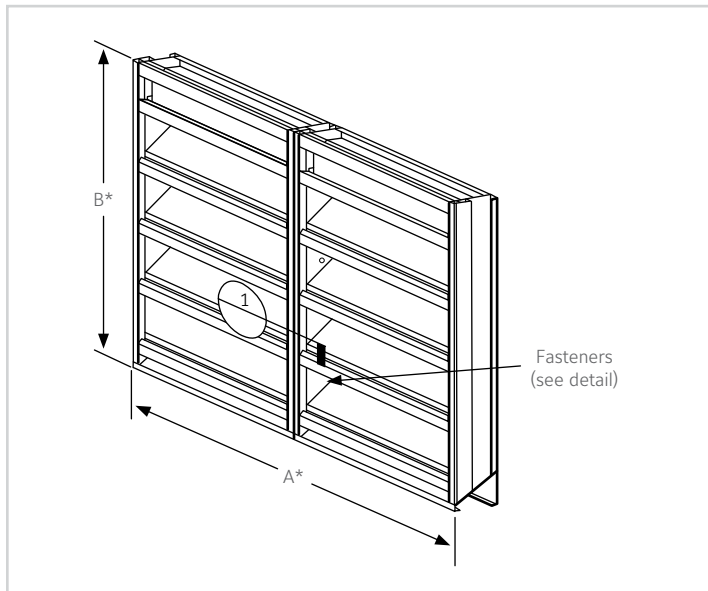
- Damper Frame and Blade Depth 4"
- Max Single Section 60" x 72"
- Opposed Blade
- Mill Finish
- Factory-Installed, pneumatic and electric actuators
- SP100 Switch Package
- Jack shafted or Extended Shaft option
- Concealed Linkage

5RAFBCD6

(The 5RAFBCD6 is a low Leak, extruded aluminum damper designed with air foil blades for higher velocities and pressure HVAC systems. It meets the leakage requirements of the International energy Conservation Code by leaking less than 3cfm.sq.ft. at 1" of static pressure and is AMCA licensed as a Class 1A damper)

- Air Leakage AMCA Class 1A
- Damper Frame Depth is 5" and Blade width is 6"
- Max Single Section 60" x 72"
- Opposed Blade
- Mill Finish
- Factory-Installed, pneumatic and electric actuators
- SP100 Switch Package
- Jack shafted or Extended Shaft option
- Concealed Linkage

MULTI SECTION FIELD SPLICE DETAIL



GENERAL NOTES:

1. Reference separate Installation Instruction sheets for installation details. Each frame style has a distinct installation method that must be compiled for Miami-Dade and Florida Approval. It is the responsibility of the installing contractor to properly install the louvers per the appropriate detail.
2. On special orders, Reliable may provide submittal and/or shop drawings. Reference these drawings for additional installation information.
3. Louvers may be provided with hidden vertical blade supports (HVBS) that increase overall installation depth by several inches. Consult Reliable Louver Engineering for exact HVBS depth.
4. Louvers wider than the maximum single section width will be shipped in multiple sections and will require field assembly.

SUGGESTED SPECIFICATION

Furnish and install louvers as hereinafter specified where shown on plans or as described in schedules. Drainable stationary louver meeting the performance criteria established by the Louvers shall be manufactured in an ISO 9001 certified factory. Louvers shall be stationary type contained within a 4" (102) frame. Louver components (heads, jambs, sills, blades, and mullions) shall be factory assembled by the louver manufacturer. Louver sizes too large for shipping shall be built up by the contractor from factory assembled louver sections to provide overall sizes required.

Louvers shall be Reliable Model 4375DC construction as follows:

Material

Frame: .081" (2.1) aluminum channel.

Blades: .081" (2.1) nominal wall thickness.

Screen: 5/8" mesh x .040" (16 x 1) expanded flattened aluminum bird screen in removable frame. Drainable blades are positioned at 37 1/2°.

Finish: Select finish specification from Reliable Finishes Brochure.

LINKS TO IMPORTANT DOCUMENTS

Document Title
Finishes and Color Guide
Limited Warranty Document



1300 Enterprise Road, P.O. Box
580, Geneva, Alabama 36340
Tel: 334-684-3621
Tel: 800-624-3914
Fax: 800-508-1469