

RECEIVED DEC 20 1999

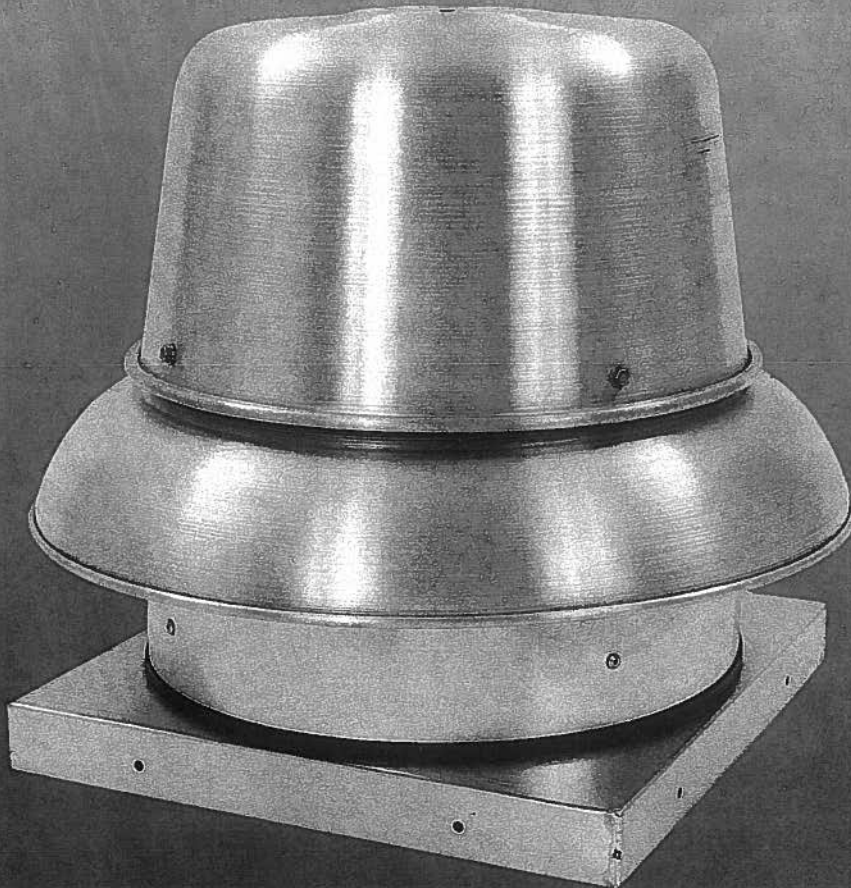
Catalog No. RDD  
DECEMBER 1998

# DIRECT DRIVE DOWNBLAST CENTRIFUGAL ROOF EXHAUSTERS

Model RDD



Quietaire certifies that the Models RDD shown herein are licensed to bear the AMCA Seal. The ratings shown are based on test and procedures performed in accordance with AMCA Publication 211 and AMCA Publication 311 and comply with the requirement of the AMCA Certified Ratings Program.



# Quietaire

# MODEL RDD DIRECT DRIVE SPEED CONTROLLABLE CENTRIFUGAL ROOF EXHAUSTERS

## Application

Models RDD direct drive units are roof mounted centrifugal exhausters rated from 46 to over 3000 CFM, with static pressure capabilities to 1 inch. They are used to exhaust air from all types of commercial and institutional buildings such as hospitals and health care facilities, schools, recreational buildings, machinery and equipment rooms, offices, retail stores and similar applications.

The non overloading backward inclined wheel with its higher static pressure capability makes this unit suitable for either ducted or nonducted applications. Its roof mounting permits location near the area to be ventilated, allowing short duct runs and more efficient operation.

The spun aluminum exterior provides an attractive appearance and is compatible with belt driven Models RDB and companion gravity units to make up a complete ventilation system. Direct drive units use smaller diameter wheels, resulting in low sound levels and quiet operation. They have no belts or fan bearings to maintain or adjust and consequently require very little maintenance.

## Construction/Specification Checklist

### Housing

- Curb cap has integral deep spun inlet for efficient performance and prepunched mounting holes for ease of installation.
- Fan plate isolates motor compartment from contaminated exhaust air.
- Spun aluminum hood and skirt for weather protection and attractive appearance.
- Heavy gauge motor support for rigidity and strength.
- Neoprene isolators for reduction of vibration and sound.
- Quick access to motor compartment for ease of maintenance.
- Conduit passage for easy electrical connection from below roof.
- Aluminum birdscreen and disconnect are standard, *(excluding disconnect on explosion proof and 2-speed)*.

### Wheel

- Backward inclined for efficiency at higher static pressure.
- Non overloading for safe operation in ducted systems.
- Tapered blades for efficiency and quiet operation.
- Wheels constructed of non-corrosive aluminum.
- Statically and dynamically balanced for smooth operation.

### Speed Controllable Motors

- Brands are nationally recognized and locally serviced.
- Standard motors are single speed, speed controllable and drip-proof.
- All motors are rated for continuous duty.
- Disconnect is standard with single speed drip-proof motors.
- Motors ship mounted as standard.

### AMCA Seal

- Assures rating of Air and Sound performance.

## UL/CSA Label

- UL 705 and/or CSA Listing assures electrical reliability.
- UL 705 and/or CSA must be specified when required.
- UL Canada available.

## Options/Accessories

**Solid State Speed Control:** Quietaire's solid state control is matched to the motor and blower wheel to allow continuous reduction in performance allowing adjustments of airflow for system balancing. CFM is reduced in direct proportion to motor speed reduction. Speed control is only available for 115 volt single phase. Exhauster performance can be controlled from the ventilated area.

**Roof Curb:** Prefabricated heavy gauge galvanized steel welded construction, 8" high with 1-1/2" wood nailer. Assures perfect fit of exhauster to roof curb. Options include burglar bars, single and double pitch construction, and additional curb heights.

**Sound Curb:** Option of thermal acoustical lining or a complete maximum sound attenuating baffle system. Provision for mounting damper is available. Contact factory for information regarding effect on exhauster air performance and sound level.

**Motor Operated Aluminum Damper:** Motor operated for positive closure against back draft.

**Automatic Damper:** Automatic aluminum damper for ease in installation and effective backdraft protection.

**Companion Gravity Units:** Models RCX-II comes in a wide range of sizes and air capacities to provide relief or intake air to the system. Curbs and dampers are available to fit all sizes. Spun aluminum hoods provide a pleasing appearance, complementing the Models RDD exhausters.

**Curb Hinge Arrangement:** The curb hinge arrangement provides easy access to the exhaust fan, backdraft damper, and duct for servicing and cleaning, and is available on all RDD Models.

**Special Coatings:** Powered roof exhausters often require special coatings for protective and decorative purposes. Available coatings include: Anticondensate, Epoxy, Eisenheiss, and Heresite (air-dried phenolic). Contact your Quietaire representative or the factory for more information on available coatings and colors.

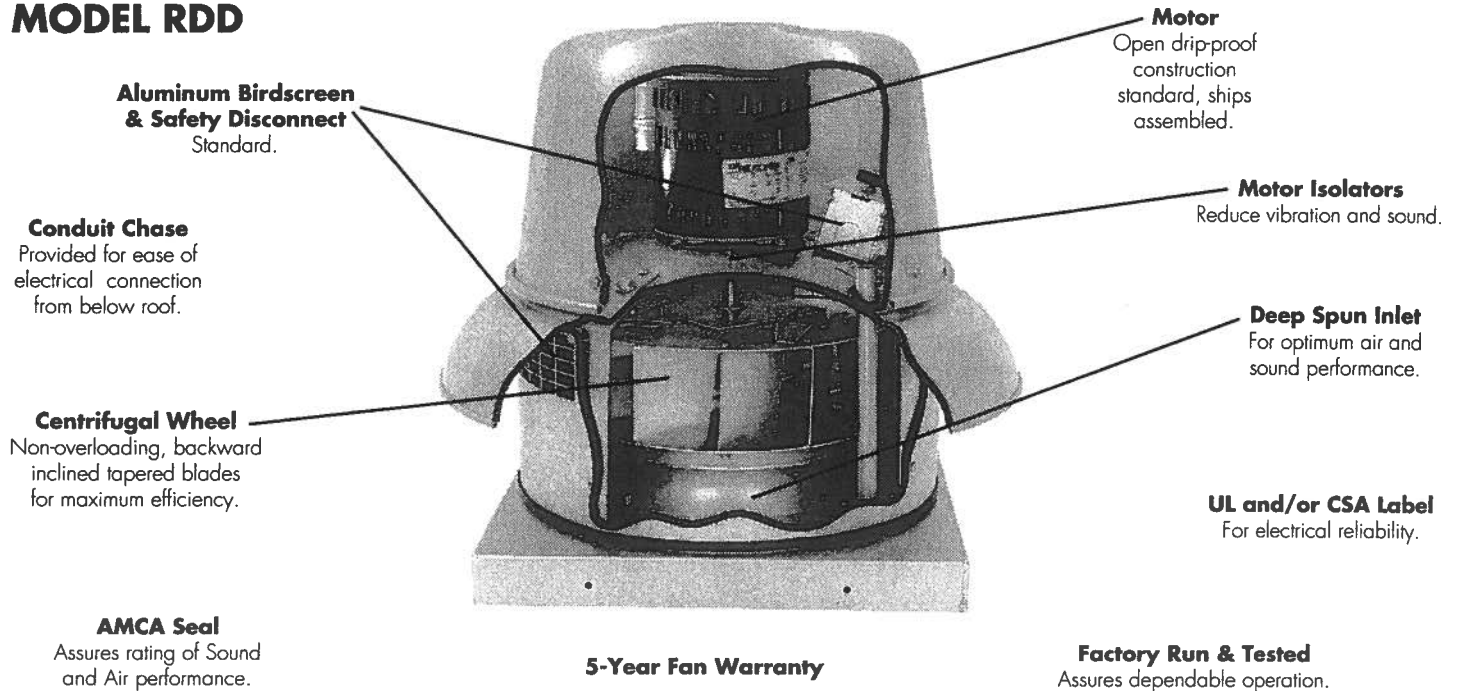
## Express Program

All RDD Models and many optional accessories are available on the Quietaire Express Program. The Express Program provides rapid delivery of standard products so that tight project deadlines can be met and downtime on replacement work can be held to a minimum. Delivery options include next day, 5 and 10-day shipments.

All specifications are subject to change without notice unless approved in submittal by Quietaire.

# CONSTRUCTION FEATURES

## MODEL RDD



## Typical Specifications

Roof exhaust fan shall be of the centrifugal direct drive type. Unit shall be constructed of aluminum for durability and appearance. Fan skirts shall have a rolled bead edge for rigidity. Units shall have a deep venturi inlet to prevent against snow and rain entry into building.

Fan wheels shall be of the centrifugal backward inclined type, constructed of aluminum and containing a matching inlet venturi for optimum unit performance. Wheels shall be statically and dynamically balanced.

Motor assembly shall be isolated from unit to eliminate vibration and noise transmission. Motor and wheel assemblies shall be removable as a complete module without complete disassembly of the unit for service and maintenance. Motors shall be mounted out of the exhaust airstream and cooled by air separate from the exhaust.

Motors for use with speed control shall be closely matched to the fan load and provide good speed controllability without any objectionable noise. Motor shall contain thermal overload protection and be listed by UL and/or CSA.

A disconnect switch and aluminum birdscreen will be included. A conduit chase shall be provided through the curb cap to the motor compartment.

Fans shall bear the AMCA ratings seal for Sound and Air performance. Fans shall carry the UL and/or CSA listing mark. Fans shall bear a permanently attached nameplate displaying model and serial number of unit for future identification.

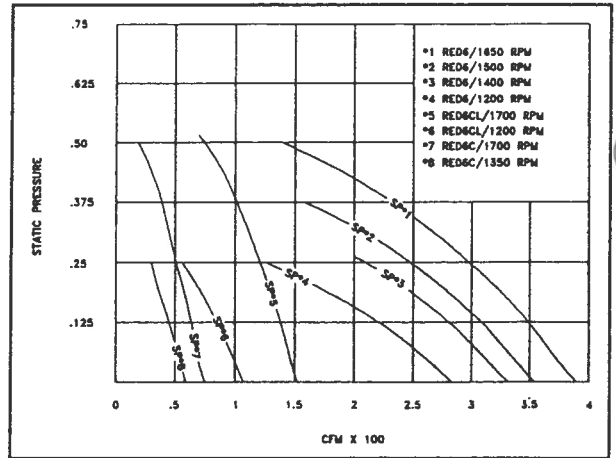
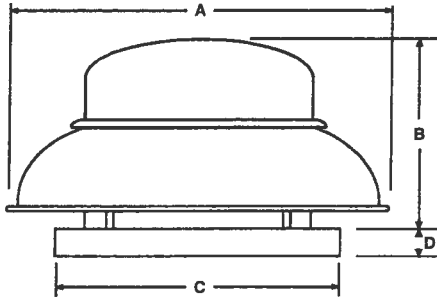
Fans shall be Models RDD as manufactured by Quietaire, Houston, Texas.

## QUIETAIRE LIMITED WARRANTY

Quietaire (manufacturer), 505 North Hutcheson, Houston, Texas 77003 warrants equipment of its manufacture to be free from defects in design, materials and workmanship (exclusive of abrasion, corrosion or erosion) for five (5) years from the date of receipt of the date of shipment to the original purchaser or the date of notification of readiness to ship. Motor warranty is one (1) year. In order to claim the benefit of this warranty, buyer must notify manufacturer in writing of the claimed defect within ten (10) days after discovering it and return this equipment or parts to the factory with transportation prepaid. In the event of on-site repair, no service technician will be dispatched until manufacturer receives your written purchase order. If any of the following conditions exist, the warranty will be null and void: (1) Buyer has permitted other persons not approved or authorized by manufacturer to alter, adjust, replace or repair the equipment or any part thereof. (2) Buyer has not followed instructions or other directions given in the contract documents or our maintenance manual. (3) When breakage or other loss or damage is the result of any negligence, misuse or fault on the part of any operator or other person not under our supervision or control. (4) The defect is the result of designs or drawings made, furnished or specified by others. (5) In the case of goods not manufactured but supplied by the manufacturer as part of a contract, manufacturer shall only be liable to the same extent that our supplier is to manufacturer, not to exceed any liability manufacturer would have for warranty on our own equipment. (6) Buyer has not paid in full any invoices submitted to buyer which are due for payment. (7) Unusual wear and tear of the equipment.

Statements relating to the product, its use or installation made prior to the execution of the agreement, are not warranties except to the extent that the contrary is expressly set forth herein. It is understood that such statements were not intended to, and did not, form a part of the agreement; they were merely made in the course of negotiations of the parties.

THIS WARRANTY IS IN LIEU OF ANY OTHER EXPRESS OR IMPLIED WARRANTIES, INCLUDING ANY IMPLIED WARRANTY OF MERCHANTABILITY OR FITNESS FOR ANY PARTICULAR PURPOSE. OUR SOLE AND EXCLUSIVE OBLIGATION UNDER THIS WARRANTY IS TO REPAIR OR REPLACE DEFECTIVE EQUIPMENT OR PARTS OR, AT OUR OPTION, TO PAY THE REASONABLE COST OF REPAIR OR REPLACEMENT. BUYER AGREES THAT NO OTHER REMEDY (INCLUDING, BUT NOT LIMITED TO, INCIDENTAL OR CONSEQUENTIAL DAMAGES, DAMAGES FOR LOST PROFITS OR SALES, OR DAMAGES FOR INJURIES TO PERSON OR PROPERTY) SHALL BE AVAILABLE. NOTWITHSTANDING THE ABOVE, THE TOTAL AMOUNT THAT MAY IN ANY EVENT BE PAYABLE IN SETTLEMENT OF LIABILITY, HOWEVER INCURRED, SHALL NOT EXCEED THE CONTRACT PRICE.



Dimensional Data								
Damper		Roof	Curb	A	B	C	D	Aver. Ship
I.D.	O.D.	Opening	O.D.					Wt. Lbs.
10	10	11-3/4	14-3/4	21-3/4	16-3/4	16-1/2	1-3/4	48

## Model RDD6

RDD6

CFM / BHP @ Static Pressure / Sones										HP	RPM	TIP SPEED
0	1/8	1/4	3/8	1/2	5/8	3/4	7/8	1	CATALOG NUMBER			
46	27								RDD6 CS+	1/10	1050	2237
.02/3.4	.02/2.8								RDD6 CS+	1/10	1350	2876
59	45	29							RDD6 C*	1/10	1700	3621
.03/6.2	.03/5.3	.03/5.3	39	26					RDD6 CLS+	1/10	950	2024
.04/11.1	.04/9.8	.04/9.3	.04/9.4	.04/9.4					RDD6 CLS+	1/10	1200	2556
85	54								RDD6 CLS+	1/10	1450	3089
.02/2.8	.02/2.2	53							RDD6 CL*	1/10	1700	3621
108	85	.03/3.9	61	76					RDD6 S+	1/10	950	2024
.03/4.7	.03/3.9	.03/3.9	.04/6.3	.04/6.3					RDD6 S+	1/10	1000	2130
130	112	90							RDD6 S+	1/10	1050	2237
.04/7.5	.04/6.4	.04/6.3	.05/9.4	.05/9.4					RDD6 S+	1/10	1100	2343
153	137	120							RDD6 S+	1/10	1150	2450
.05/11.1	.06/9.8	.06/9.3							RDD6 S+	1/10	1200	2556
224	133	118							RDD6 S+	1/10	1250	2663
.02/2.5	.02/2.4	.02/4.3							RDD6 S+	1/10	1300	2769
236	152	.03/4.6							RDD6 S+	1/10	1350	2876
.02/2.8	.02/2.8	.03/4.6							RDD6 S+	1/10	1400	2982
248	171	.03/4.7							RDD6 S+	1/10	1450	3089
.02/3.2	.02/3.1	.03/5.1							RDD6 S+	1/10	1500	3195
260	187	.03/5.1							RDD6 S+	1/10	1550	3302
.02/3.5	.02/3.5	.03/5.5							RDD6 S+	1/10	1600	3408
272	204								RDD6 *	1/10	1650	3515
.03/3.9	.03/3.8											
284	219	146										
.03/4.2	.03/4.2	.03/4.7										
295	234	.04/6.3										
.03/4.6	.03/4.6	.04/6.3										
307	249	.04/6.7										
.03/5.0	.03/5.0	.04/6.7										
319	264	.04/6.9										
.03/5.4	.03/5.4	.04/6.9										
331	278	.04/7.3										
.04/5.8	.04/5.8	.04/7.3										
343	293	.05/7.2										
.04/6.2	.04/6.2	.05/7.2										
354	307	.05/7.8										
.04/6.6	.04/6.6	.05/7.8										
366	320											
.05/7.0	.05/7.0											
378	334											
.05/7.4	.05/7.5											
390	347											
.05/7.9	.05/8.0											

(1) Models RDD 6 C series has choke plate.  
 Models RDD 6 S requires speed control for listed rpm.  
 Performance shown is for installation type A-free inlet, free outlet.  
 Performance ratings include the effects of birdscreen in the airstream.  
 The sound ratings shown are loudness values in fan sones @ 5' (1.5m) in a hemispherical free field calculated per AMCA Standard 301. Values shown are for Installation Type A-free inlet fan sone levels.

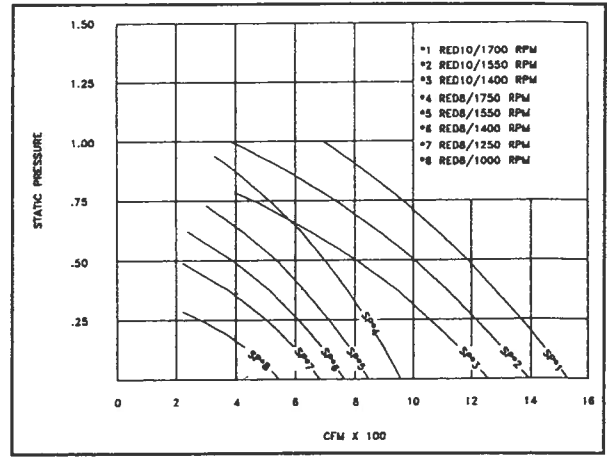
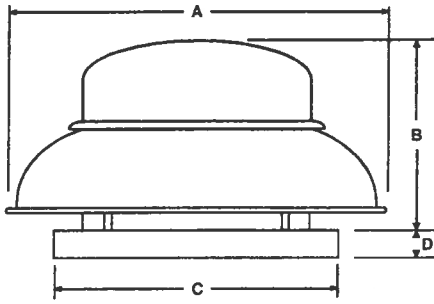
\* Base Unit-AMCA Seal for Sound Rating does not apply to units with speed control.  
 + RPM range capable with solid state speed control.

Speed (RPM) shown is nominal. Performance is based on actual speed of test.



Quietaire certifies that the Models RDD shown herein are licensed to bear the AMCA Seal. The ratings shown are based on test and procedures performed in accordance with AMCA Publication 211 and AMCA Publication 311 and comply with the requirement of the AMCA Certified Ratings Program.





Dimensional Data								Aver. Ship Wt. lbs.
Damper		Roof Opening	Curb O.D.	A	B	C	D	
I.D.	O.D.							
10	10	11-3/4	14-3/4	21-3/4	16-3/4	16-1/2	1-3/4	48/67

## Model RDD8 and 10

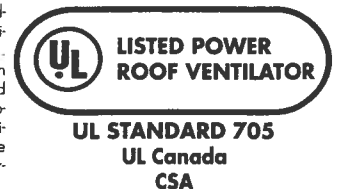
	CFM / BHP @ Static Pressure / Sones									HP	RPM	TIP SPEED		
	0	1/8	1/4	3/8	1/2	5/8	3/4	7/8	1				CATALOG NUMBER	
RDD8	409	238									RDD812 S+	1/25	750	1995
	.02/2.5	.02/1.8												
	464	325									RDD812 S+	1/25	850	2261
	.03/3.3	.03/2.7												
	518	399	216								RDD812 S+	1/25	950	2527
	.03/4.1	.03/3.6	.03/3.1											
	573	468	326								RDD812 *	1/25	1050	2793
	.04/4.9	.04/4.5	.04/4.1											
	627	535	417	249							RDD810 S+	1/10	1150	3059
	.05/5.9	.05/5.5	.05/5.1	.05/4.7										
682	599	496	362	183						RDD810 S+	1/10	1250	3325	
.06/6.8	.07/6.4	.07/6.0	.06/5.7	.05/5.6										
736	661	569	460	314						RDD810 S+	1/10	1350	3591	
.08/7.8	.08/7.4	.08/7.0	.08/6.7	.07/6.5										
791	721	638	545	425	276					RDD810 S+	1/10	1450	3857	
.09/8.9	.10/8.4	.10/8.0	.10/7.7	.09/7.5	.08/7.4									
818	751	672	584	476	340	170				RDD810 S+	1/10	1500	3990	
.10/9.4	.10/8.9	.11/8.5	.11/8.3	.10/8.0	.09/7.8	.08/7.7								
845	781	705	622	523	398	251				RDD810 *	1/10	1550	4123	
.11/10.0	.11/9.5	.12/9.1	.12/8.8	.11/8.6	.11/8.3	.09/8.2								
954	897	836	764	688	600	494	371	233		RDD8167 *	1/4	1750	4655	
.16/12.1	.16/11.6	.16/11.1	.16/10.8	.16/10.6	.16/10.3	.15/10.1	.14/10.0	.12/9.9						
RDD10	808	640	403								RDD1025 S+	1/4	900	2889
	.06/4.9	.06/4.2	.05/4.0											
	897	750	559	299							RDD1025 S+	1/4	1000	3210
	.07/5.9	.07/5.2	.07/5.0	.06/4.7										
	987	856	696	489							RDD1025 S+	1/4	1100	3531
	.09/6.8	.09/6.3	.09/5.8	.08/5.6										
	1077	958	821	648	438						RDD1025 S+	1/4	1200	3852
	.12/7.9	.12/7.4	.12/7.0	.11/6.8	.10/6.7									
	1167	1058	936	790	615	405					RDD1025 S+	1/4	1300	4173
	.15/9.0	.15/8.5	.15/8.1	.14/7.9	.13/7.7	.11/7.5								
	1256	1156	1046	920	769	597	390				RDD1025 S+	1/4	1400	4494
	.18/10.2	.18/9.7	.18/9.3	.18/9.1	.17/8.9	.16/8.7	.14/8.5							
	1346	1253	1152	1042	910	762	594	393			RDD1025 S+	1/4	1500	4815
	.22/11.5	.22/11.0	.22/10.6	.22/10.3	.21/10.1	.20/9.9	.18/9.8	.16/9.6						
	1391	1301	1204	1099	977	838	682	504	279		RDD1025 S+	1/4	1550	4976
.25/12.1	.25/11.7	.25/11.3	.24/10.9	.23/10.7	.22/10.5	.21/10.4	.19/10.2	.16/10.1						
1436	1348	1256	1155	1041	910	766	604	412		RDD1025 *	1/4	1600	5136	
.27/12.8	.27/12.4	.27/12.0	.26/11.7	.26/11.4	.25/11.2	.24/11.0	.22/10.8	.16/10.7						
1481	1396	1307	1211	1104	981	845	695	524		RDD1033 S+	1/3	1650	5297	
.29/13.5	.29/13.0	.29/12.6	.29/12.3	.28/12.1	.27/12.0	.26/11.8	.25/11.6	.23/11.4						
1526	1443	1358	1265	1165	1048	921	781	625		RDD1033 *	1/3	1700	5457	
.32/14.2	.32/13.8	.32/13.3	.32/12.9	.31/12.7	.30/12.6	.29/12.4	.28/12.3	.26/12.1						

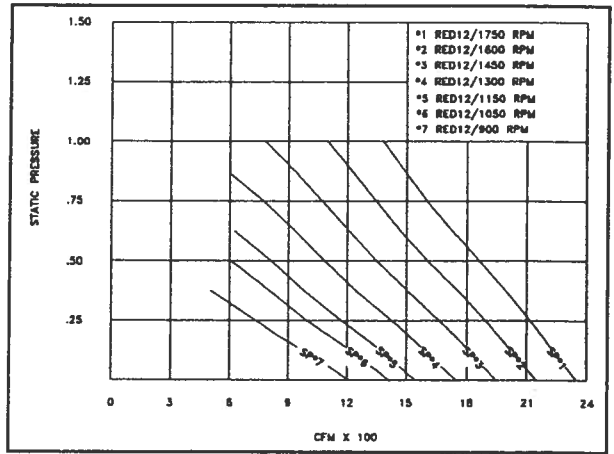
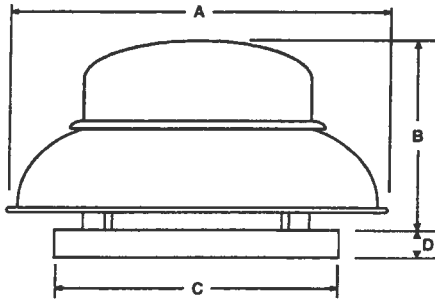
(1) Models with S in the number require speed control. Performance shown is for installation type A-free inlet, free outlet. Performance ratings include the effects of birdscreen in the airstream. The sound ratings shown are loudness values in fan sones @ 5' (1.5m) in a hemispherical free field calculated per AMCA Standard 301. Values shown are for Installation Type A-free inlet fan sone levels.

\* Base Unit-AMCA Seal for Sound Rating does not apply to units with speed control.  
+ RPM range capable with solid state speed control.  
Speed (RPM) shown is nominal. Performance is based on actual speed of test.



Quietaire certifies that the Models RDD shown herein are licensed to bear the AMCA Seal. The ratings shown are based on test and procedures performed in accordance with AMCA Publication 211 and AMCA Publication 311 and comply with the requirement of the AMCA Certified Ratings Program.





Dimensional Data								
Damper		Roof	Curb	A	B	C	D	Aver. Ship
I.D.	O.D.	Opening	O.D.					Wt. Lbs.
15	15	19-1/4	22-1/4	33-1/8	23-1/2	24	2-1/2	102

## Model RDD12

### CFM / BHP @ Static Pressure / Sones

RDD12

0	1/8	1/4	3/8	1/2	5/8	3/4	7/8	1	CATALOG NUMBER	HP	RPM	TIP SPEED
1209	959	708	456									
.07/6.5	.08/5.8	.08/5.4	.08/5.3						RDD1216 S+	1/4	900	3393
1277	1042	797	570									
.08/7.1	.09/6.4	.09/6.0	.09/5.8						RDD1216 S+	1/4	950	3582
1344	1123	884	674	423								
.10/7.6	.10/6.9	.10/6.6	.10/6.3	.10/6.2					RDD1216 S+	1/4	1000	3770
1411	1202	970	771	553								
.11/8.2	.11/7.6	.12/7.1	.12/7.0	.12/6.9					RDD1216 S+	1/4	1050	3959
1478	1280	1057	863	665	419							
.13/8.9	.13/8.2	.13/7.8	.14/7.5	.14/7.4	.13/7.2				RDD1216 S+	1/4	1100	4147
1545	1356	1144	952	769	558							
.14/9.6	.15/8.9	.15/8.4	.15/8.2	.15/8.0	.15/7.8				RDD1216 *	1/4	1150	4336
1613	1432	1231	1040	866	678	442						
.16/10.2	.16/9.6	.16/9.1	.17/8.8	.17/8.6	.17/8.4	.16/8.2			RDD1250 S+	1/2	1200	4524
1680	1506	1317	1126	960	786	587						
.18/11.0	.18/10.2	.18/9.7	.19/9.5	.19/9.3	.20/9.1	.19/8.9			RDD1250 S+	1/2	1250	4713
1747	1580	1401	1212	1050	888	710	491					
.20/11.7	.20/11.0	.21/10.3	.21/10.1	.22/9.9	.22/9.8	.22/9.5	.20/9.1		RDD1250 S+	1/2	1300	4901
1814	1653	1484	1299	1139	984	821	633	376				
.22/12.5	.23/11.8	.23/11.1	.23/10.8	.24/10.6	.24/10.4	.24/10.3	.23/10.0	.21/9.8	RDD1250 S+	1/2	1350	5090
1881	1726	1565	1387	1226	1077	924	757	556				
.25/13.2	.25/12.5	.26/11.8	.26/11.7	.26/11.4	.27/11.2	.27/11.0	.27/10.7	.25/10.5	RDD1250 S+	1/2	1400	5278
1949	1798	1645	1474	1312	1168	1023	869	695				
.28/14.0	.28/13.3	.28/12.6	.28/12.3	.29/12.1	.30/12.0	.30/11.8	.30/11.6	.29/11.4	RDD1250 S+	1/2	1450	5467
2016	1870	1723	1560	1398	1257	1118	974	817				
.30/14.8	.31/14.1	.31/13.4	.31/13.0	.32/12.8	.32/12.6	.33/12.5	.33/12.4	.33/12.2	RDD1250 S+	1/2	1500	5655
2083	1942	1801	1645	1484	1344	1210	1073	929				
.33/15.6	.34/14.9	.34/14.3	.34/13.8	.35/13.6	.35/13.4	.36/13.3	.36/13.1	.36/12.9	RDD1250 S+	1/2	1550	5844
2150	2013	1878	1729	1572	1430	1300	1170	1034				
.37/16.4	.37/15.7	.37/15.1	.38/14.6	.38/14.4	.39/14.2	.39/14.0	.40/13.8	.40/13.7	RDD1250 S+	1/2	1600	6032
2217	2084	1954	1812	1660	1516	1389	1263	1134				
.40/17.3	.40/16.6	.41/15.9	.41/15.3	.41/15.2	.42/15.0	.43/14.8	.43/14.6	.44/14.5	RDD1250 S+	1/2	1650	6221
2284	2155	2029	1893	1747	1602	1476	1354	1231				
.44/18.2	.44/17.5	.45/16.8	.45/16.2	.45/16.0	.46/15.8	.46/15.6	.47/15.4	.48/15.3	RDD1250 S+	1/2	1700	6409
2352	2226	2104	1973	1832	1689	1562	1443	1324				
.48/18.9	.48/18.3	.48/17.6	.49/17.0	.49/16.7	.49/16.5	.50/16.3	.51/16.2	.52/16.0	RDD1250 *	1/2	1750	6598

Performance shown is for installation type A-free inlet, free outlet.  
 Performance ratings include the effects of birdscreen in the airstream.  
 The sound ratings shown are loudness values in fan sones @ 5' (1.5m) in a hemispherical free field calculated per AMCA Standard 301. Values shown are for Installation Type A-free inlet fan sone levels.

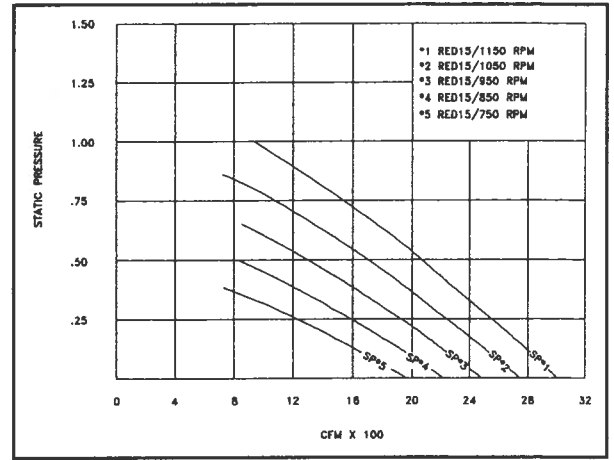
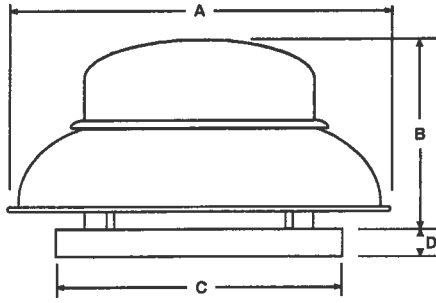
\* Base Unit-AMCA Seal for Sound Rating does not apply to units with speed control.  
 + RPM range capable with solid state speed control.

Speed (RPM) shown is nominal. Performance is based on actual speed of test.



Quietaire certifies that the Models RDD shown herein are licensed to bear the AMCA Seal. The ratings shown are based on test and procedures performed in accordance with AMCA Publication 211 and AMCA Publication 311 and comply with the requirement of the AMCA Certified Ratings Program.





Dimensional Data								
Damper		Roof Opening	Curb O.D.	A	B	C	D	Aver. Ship Wt. Lbs.
I.D.	O.D.							
16	16	19-1/4	22-1/4	33-1/8	23-1/2	24	2-1/2	125

## Model RDD15

RDD15

CFM / BHP @ Static Pressure / Sones										HP	RPM	TIP SPEED	
0	1/8	1/4	3/8	1/2	5/8	3/4	7/8	1	CATALOG NUMBER				
1958	1599	1212	759							RDD1550 S+	1/2	750	3270
.13/6.9	.14/6.3	.13/6.1	.12/6.0							RDD1550 S+	1/2	800	3488
2089	1756	1395	989	512						RDD1550 S+	1/2	850	3706
.16/7.7	.16/7	.16/6.8	.15/6.8	.13/6.7						RDD1550 S+	1/2	900	3924
2219	1907	1567	1203	795						RDD1550 S+	1/2	950	4142
.19/8.4	.19/7.9	.19/7.6	.19/7.6	.17/7.5						RDD1550 S+	1/2	1000	4360
2350	2055	1736	1411	1035	608					RDD1550 S+	1/2	1050	4578
.22/9.3	.23/8.8	.23/8.4	.22/8.3	.21/8.3	.18/8.3					RDD1550 S+	1/2	1100	4796
2481	2202	1902	1602	1256	887					RDD1550 S+	1/2	1150	5014
.26/10.2	.26/9.7	.27/9.3	.26/9.2	.26/9.1	.24/9.1					RDD1550 S+	1/2		
2611	2347	2066	1779	1468	1130	752				RDD1550 S+	1/2		
.30/11.1	.31/10.6	.31/10.2	.31/10.0	.30/10.0	.29/9.9	.26/9.9				RDD1550 S+	1/2		
2742	2493	2228	1950	1672	1352	1019	621			RDD1550 S+	1/2		
.35/12.1	.35/11.5	.36/11.2	.36/10.9	.35/10.9	.34/10.8	.32/10.8	.27/10.7			RDD1550 S+	1/2		
2872	2636	2386	2119	1860	1564	1258	923	494		RDD1550 S+	1/2		
.40/13.2	.40/12.6	.41/12.1	.41/11.8	.40/11.8	.40/11.8	.38/11.7	.35/11.7	.29/11.7		RDD1550 S+	1/2		
3003	2779	2540	2285	2038	1774	1480	1180	840		RDD1550 S+	1/2		
.46/14.2	.46/13.7	.46/13.2	.46/12.9	.46/12.8	.46/12.7	.44/12.7	.42/12.7	.38/12.6		RDD1550 *	1/2		

Performance shown is for installation type A-free inlet, free outlet.  
 Performance ratings include the effects of birdscreens in the airstream.  
 The sound ratings shown are loudness values in fan sones @ 5' (1.5m) in a hemispherical free field calculated per AMCA Standard 301. Values shown are for Installation Type A-free inlet fan sone levels.

\* Base Unit-AMCA Seal for Sound Rating does not apply to units with speed control.  
 + RPM range capable with solid state speed control.

Speed (RPM) shown is nominal. Performance is based on actual speed of test.

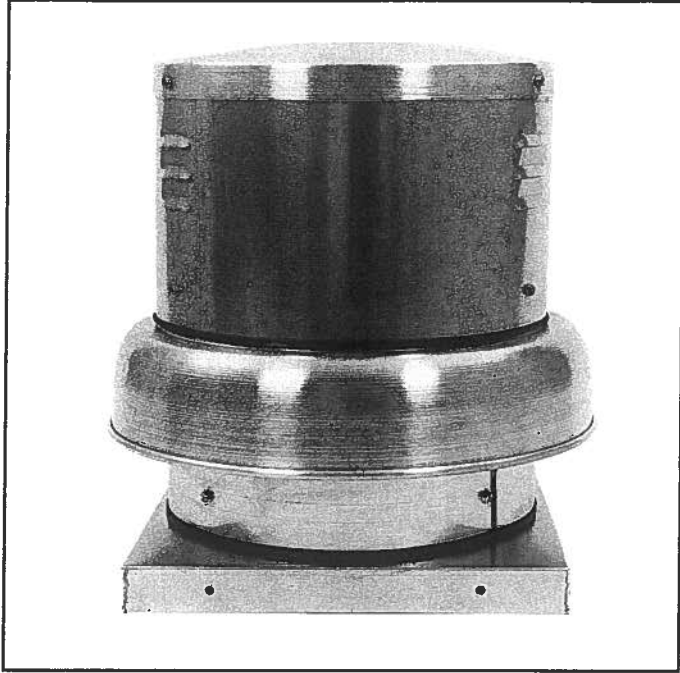


Quietaire certifies that the Models RDD shown herein are licensed to bear the AMCA Seal. The ratings shown are based on test and procedures performed in accordance with AMCA Publication 211 and AMCA Publication 311 and comply with the requirement of the AMCA Certified Ratings Program.



**UL STANDARD 705**  
**UL Canada**  
**CSA**

**Quietaire manufactures a complete line of gravity ventilators and fans for all of your ventilation requirements.**



**TYPE RDB**

Belt Drive  
Centrifugal Exhauster  
Sizes 6 to 48  
150 to 30,300 CFM  
AMCA Seal for Air & Sound



**TYPE UXB**

Belt Drive Centrifugal  
Upblast Exhauster  
Sizes 6 to 48  
300 to 35,000 CFM  
AMCA Seal for Air & Sound

MOTORS WITH FRAME SIZES 182T OR LARGER ARE SHIPPED UNMOUNTED AND MUST BE FIELD INSTALLED.  
DUE TO CONTINUING RESEARCH QUIETAIRE RESERVES THE RIGHT TO CHANGE SPECIFICATIONS WITHOUT NOTICE.

**Quietaire**

505 NORTH HUTCHESON  
HOUSTON, TEXAS 77003  
TEL: (713) 228-9421 • FAX: (713) 228-9425

**REPRESENTED BY:**