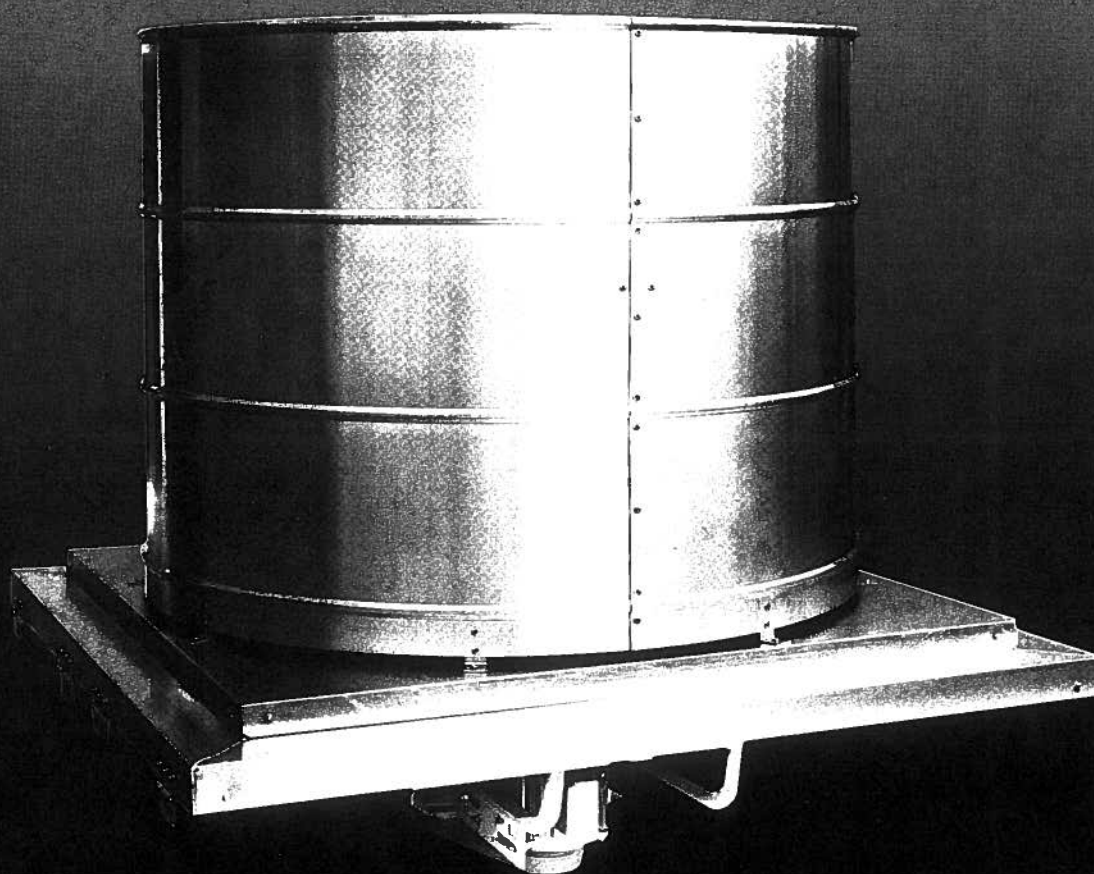


CATALOG RPUB  
FEBRUARY 2000

# Upblast Exhausters RPUB Series

SEP 15 2003



**Quietaire**

### RPUB UPBLAST EXHAUSTERS

#### Features:

- Blades are heavy steel construction and bolted to bracket and hub with locknuts.
- Motors are heavy duty, high efficiency construction; available in totally enclosed, open, two speed, or explosion proof.
- Blades are die formed and precision pitched to insure maximum air movements.
- Available in galvanized or all aluminum housing.
- Painted steel tubing, bearing supports and motor supports are standard.
- Weatherproof construction.
- Neoprene gasket seal is standard.
- Automatic butterfly dampers pivot on steel pins precision fitted to permanently lubricated bushings.
- Sizes 26" through 86".
- Rubber damper stops insure quiet operation.
- Magnetic latches are standard.

#### Construction:

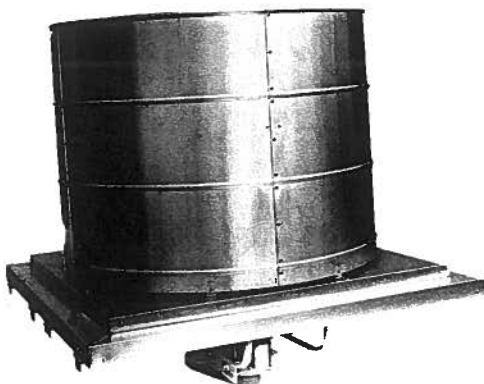
Corrosion resistant rugged galvanized or aluminum construction for maintenance-free performance for the life of the building. Bearing are heavy duty, designed to handle end thrust and are greased for years of trouble-free service.

\*Note, when the roof ventilator is not operating high positive internal pressure may cause dampers to open.

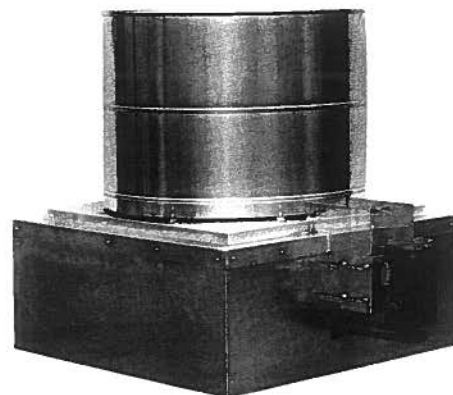
#### Accessories:

- Special coatings are available for chemical environments.
- Automatic Shutters - Applications quoted on request.
- Disconnect Switch - Switch acts as safety device when unit is being serviced.
- Firestat - Protection when temperature exceeds preset point.
- Automatic Damper Opener - Fusible link operated device for exhausting smoke and heat under extreme conditions.

"Quietaire Corporation certifies that the RPUB belt drive units shown herein is licensed to bear the AMCA Seal. The ratings shown are based on tests and procedures performed in accordance with AMCA Publication 211 and comply with the requirements of the AMCA Certified Ratings Program."



Outside view Belt Drive Model.



Motor out of air stream option.  
Motor cover not shown.

| Model<br>No. | Rpm  | Tip<br>Speed | Static<br>Pressure |        |        |       |       | Max<br>Bhp |
|--------------|------|--------------|--------------------|--------|--------|-------|-------|------------|
|              |      |              | 0                  | 1/10   | 1/8    | 1/4   | 3/8   |            |
| RPUB 2650    | 742  | 5050         | 6035               | 5225   | 4935   |       |       | .55        |
| RPUB 2675    | 850  | 5786         | 6915               | 6230   | 6040   |       |       | .82        |
| RPUB26100    | 935  | 6364         | 7610               | 7000   | 6825   | 4925  |       | 1.10       |
| RPUB26150    | 1070 | 7283         | 8705               | 8190   | 8045   | 7210  |       | 1.64       |
| RPUB26200    | 1178 | 8018         | 9585               | 9115   | 9000   | 8310  | 6540  | 2.20       |
| RPUB3275     | 600  | 5026         | 9100               | 7860   | 7420   |       |       | .82        |
| RPUB32100    | 660  | 5530         | 10010              | 8915   | 8590   |       |       | 1.09       |
| RPUB32150    | 756  | 6333         | 11470              | 10540  | 10275  |       |       | 1.64       |
| RPUB32200    | 832  | 6970         | 12620              | 11800  | 11560  | 10150 |       | 2.17       |
| RPUB32300    | 953  | 7984         | 14455              | 13740  | 13565  | 12510 | 9780  | 3.30       |
| RPUB38100    | 530  | 5268         | 14065              | 12408  | 11940  |       |       | 1.13       |
| RPUB38150    | 607  | 6033         | 16109              | 14702  | 14311  | 11996 |       | 1.70       |
| RPUB38200    | 668  | 6639         | 17728              | 16450  | 16130  | 14274 |       | 2.28       |
| RPUB38300    | 760  | 7554         | 20169              | 19046  | 18765  | 17213 | 15322 | 3.34       |
| RPUB38500    | 891  | 8856         | 23646              | 22687  | 22448  | 21223 | 19830 | 5.36       |
| RPUB44150    | 465  | 5356         | 17903              | 16216  | 15752  | 12548 |       | 1.69       |
| RPUB44200    | 510  | 5874         | 19636              | 18108  | 17706  | 15393 |       | 2.26       |
| RPUB44300    | 584  | 6727         | 22485              | 21150  | 20817  | 19001 | 16678 | 3.38       |
| RPUB44500    | 690  | 7948         | 26566              | 25436  | 25154  | 23689 | 22124 | 5.59       |
| RPUB44750    | 782  | 9007         | 30108              | 29111  | 28862  | 27617 | 26252 | 8.05       |
| RPUB50150    | 385  | 5040         | 22950              | 20125  | 19385  |       |       | 1.72       |
| RPUB50200    | 420  | 5500         | 25040              | 22455  | 21800  | 17870 |       | 2.28       |
| RPUB50300    | 484  | 6336         | 28860              | 26625  | 26055  | 23065 |       | 3.45       |
| RPUB50500    | 572  | 7487         | 34100              | 32220  | 31745  | 29320 | 26615 | 5.72       |
| RPUB50750    | 646  | 8456         | 38520              | 36850  | 36430  | 34310 | 32110 | 8.15       |
| RPUB56200    | 348  | 5100         | 29150              | 25650  | 24730  |       |       | 2.23       |
| RPUB56300    | 400  | 5864         | 33500              | 30470  | 29700  | 25345 |       | 3.45       |
| RPUB56500    | 473  | 6935         | 39620              | 37070  | 36420  | 33090 | 29100 | 5.73       |
| RPUB56750    | 540  | 7917         | 45235              | 43000  | 42440  | 39590 | 36600 | 8.43       |
| RPUB561000   | 596  | 8738         | 49925              | 47900  | 47400  | 44820 | 42175 | 11.25      |
| RPUB62200    | 293  | 4756         | 33310              | 28675  | 27455  |       |       | 2.23       |
| RPUB62300    | 335  | 5438         | 38080              | 34060  | 33030  | 26850 |       | 3.38       |
| RPUB62500    | 397  | 6444         | 45130              | 41755  | 40900  | 36460 | 30050 | 5.58       |
| RPUB62750    | 455  | 7385         | 51725              | 48790  | 48045  | 44255 | 39965 | 8.44       |
| RPUB621000   | 500  | 8116         | 56840              | 54165  | 53500  | 50090 | 46540 | 11.12      |
| RPUB74300    | 250  | 4843         | 48321              | 41857  | 40150  | 25416 |       | 3.36       |
| RPUB74500    | 290  | 5618         | 56053              | 50512  | 49107  | 40831 | 27823 | 5.31       |
| RPUB74750    | 337  | 6528         | 65137              | 60393  | 59184  | 52965 | 44889 | 8.30       |
| RPUB741000   | 375  | 7264         | 72482              | 68230  | 67151  | 61647 | 55318 | 11.47      |
| RPUB741500   | 420  | 8136         | 81180              | 77383  | 76434  | 71593 | 66550 | 15.95      |
| RPUB86300    | 192  | 4322         | 58251              | 48357  | 45455  |       |       | 3.25       |
| RPUB86500    | 231  | 5200         | 70083              | 61982  | 59875  | 43314 |       | 5.58       |
| RPUB86750    | 258  | 5808         | 78274              | 71043  | 69208  | 58758 | 40307 | 7.93       |
| RPUB861000   | 291  | 6551         | 88286              | 81901  | 80274  | 71908 | 61086 | 11.33      |
| RPUB861500   | 330  | 7429         | 100118             | 94503  | 93084  | 85843 | 77697 | 16.53      |
| RPUB862000   | 360  | 8105         | 109220             | 104072 | 102785 | 96221 | 89378 | 21.31      |

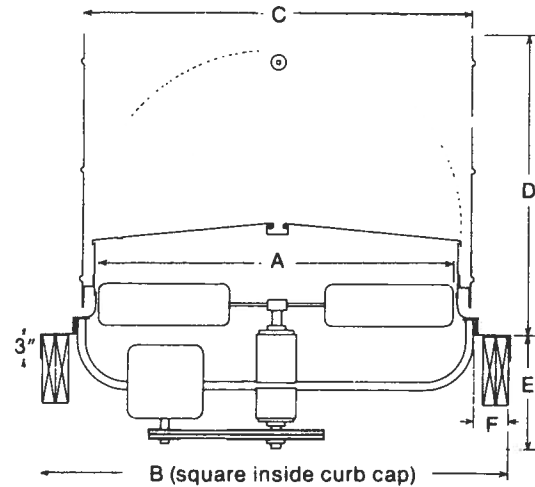
Note (A): Performance shown is for installation type A-Free inlet, Free outlet.

Note (B): Power rating (BHP) does not include drive losses.

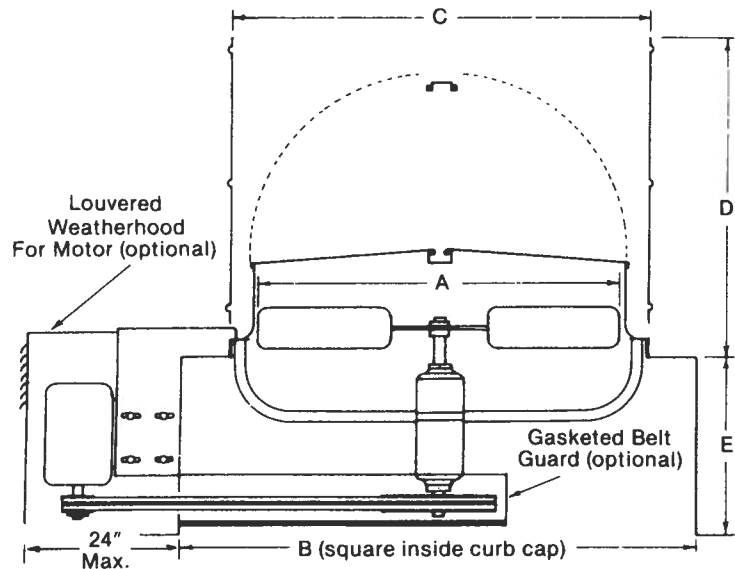
Note (C): Performance rating does not include the effects of appurtenances in the airstream.

### Series RPUB

| Model Number | Dimensions (Inches) |     |    |     |     |    |
|--------------|---------------------|-----|----|-----|-----|----|
|              | A                   | B   | C  | D   | E   | F  |
| RPUB-26      | 26                  | 40  | 30 | 20½ | 16½ | 4¼ |
| RPUB-32      | 32                  | 46  | 36 | 26½ | 17½ | 4½ |
| RPUB-38      | 38                  | 52  | 42 | 32½ | 18½ | 4¼ |
| RPUB-44      | 44                  | 58  | 48 | 38½ | 18½ | 4¼ |
| RPUB-50      | 50                  | 64  | 54 | 44½ | 18½ | 4¼ |
| RPUB-56      | 70                  | 70  | 60 | 50½ | 19  | 4¼ |
| RPUB-62      | 62                  | 76  | 66 | 50½ | 20  | 4¼ |
| RPUB-74      | 74                  | 88  | 78 | 58½ | 21  | 4¼ |
| RPUB-86      | 86                  | 100 | 90 | 63½ | 21  | 4¼ |



| Model Number | Dimensions (Inches) |     |    |     |    |
|--------------|---------------------|-----|----|-----|----|
|              | A                   | B   | C  | D   | E  |
| RPUB-26-MO   | 26                  | 40  | 30 | 20½ | 19 |
| RPUB-32-MO   | 32                  | 46  | 36 | 26½ | 20 |
| RPUB-38-MO   | 38                  | 52  | 42 | 32½ | 21 |
| RPUB-44-MO   | 44                  | 58  | 48 | 38½ | 21 |
| RPUB-50-MO   | 50                  | 64  | 54 | 44½ | 21 |
| RPUB-56-MO   | 56                  | 70  | 60 | 50½ | 22 |
| RPUB-62-MO   | 62                  | 76  | 66 | 50½ | 23 |
| RPUB-74-MO   | 74                  | 88  | 78 | 58½ | 24 |
| RPUB-86-MO   | 86                  | 100 | 90 | 63½ | 24 |



Motor out of air stream units are available with belt guards and extended lube lines.

### WARRANTY

Quietaire Corporation warrants this equipment to be free from defects in material and workmanship for a period of one year from shipping date. Any units or parts which prove to be defective during warranty period will be replaced at our option when returned to our factory, transportation prepaid. The buyer assumes all risks and liability for the results of use of the products. Quietaire will not warranty items which are defective due to faulty handling, installation, or electrical wiring.

Quietaire will not warranty equipment damaged in transportation. Equipment damaged in transportation should not be accepted from the carrier. The motor is warranted by the motor manufacturer for a period of one year. Should the motor prove defective it must be returned to the nearest authorized repair station. Call Quietaire for location.

Quietaire will not be responsible for any installation, removal, or transportation costs of defective material.

Call Factory For Distributor Nearest You!