

MODEL FS-461

Sand Resistant Louver • 4" Deep • Sightproof Blades • Stationary • Formed Steel

Standard Materials and Construction

- FRAME:** 18 ga. galvanized steel formed, channel type.
- BLADE:** 18 ga. galvanized steel formed, sightproof type.
- SCREEN:** ½" x 19 ga. galvanized steel screen; when indicated, in a removable frame on rear of louver.
- CONSTRUCTION:** Riveted and/or welded for maximum service.

Options

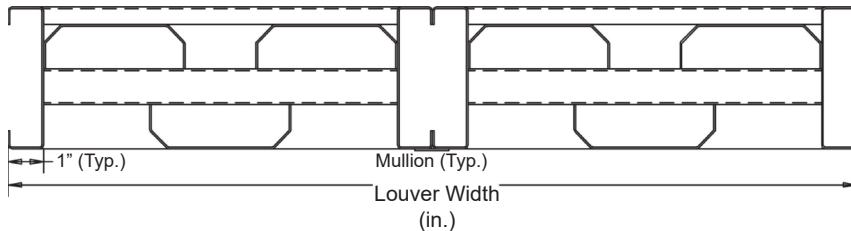
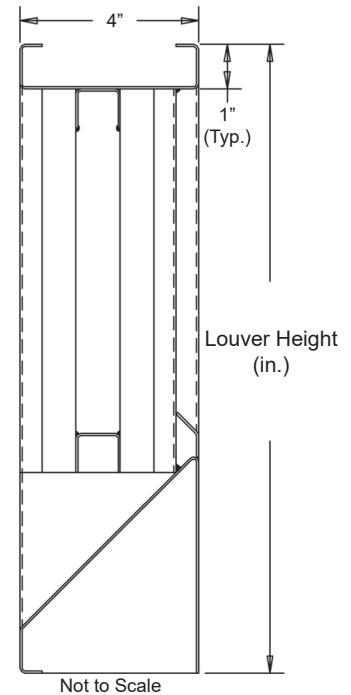
- Finish - Baked Enamel, Kynar, Epoxies
- Screens - ½" flattened Aluminum (.051" thick),
 - or- ¼" square mesh, 18 ga. galvanized steel, .047" wire,
 - or- ½" square mesh, 18 ga. galvanized steel, .047" wire.
- Frame and blades - Other gauges and other materials available, including stainless steel, aluminum, etc.

Notes

1. Nominal deductions will be made to the opening size given.
2. Panel size limited to 40 sq.ft. Larger sizes will require field assembly of smaller size panels.
3. Approximate shipping weight is 6.5 lbs./sq.ft.

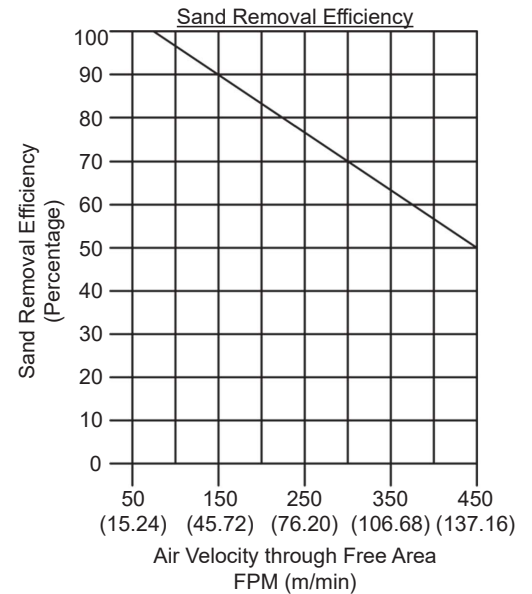
Louver Sizes

Min Panel	Max Single Panel
24"W x 24"H	60"W x 96"H 96"W x 60"H



Sand removal efficiency approximately 90%, measured during tests described in ASHRAE Standard 52-76 test method.

Designs should provide a reasonable safety factor for louver performance by selecting at some point below pressure drop or sand removal requirements.



Item #	Qty	Width	Height	Width	Height	Mullion	Type	Location	Union Made
		Opening Size		Louver Size			Screens		
Arch. / Eng.:						EDR:		ECN:	Job:
Contractor:									
Project:						Date:		DWN:	DWG:

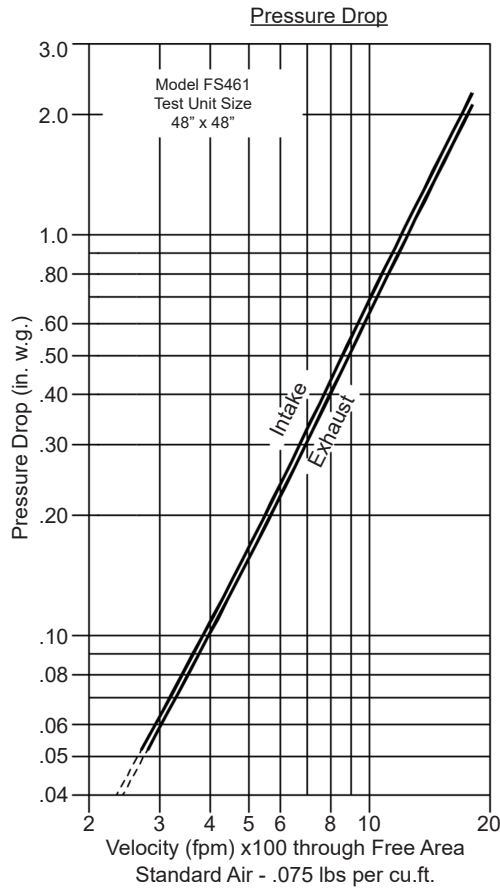


MODEL FS-461

Sand Resistant Louver • 4" Deep • Sightproof Blades • Stationary • Formed Steel

Performance Data

Free Area: 5.44 sq.ft. = 34% for 48"W x 48"H sample tested in accordance with AMCA Standard 500-L.



Ratings do not include the effect of a screen.
Pressure Drop tested in accordance with AMCA Standard 500-L, Figure 5.5.



Arrow United Industries certifies that the Model FS-461 shown herein is licensed to bear the AMCA seal. The ratings shown are based on tests and procedures performed in accordance with AMCA Publication 511 and comply with the requirements of the AMCA Certified Ratings Program. The AMCA Certified Ratings Seal applies to Air Performance Ratings only.

		Free Area (sq.ft.)												
		Width (in.)												
Height (in.)		24"	30"	36"	42"	48"	54"	60"	66"	72"	78"	84"	90"	96"
		24"	.91	1.22	1.52	1.83	2.13	2.44	2.74	3.05	3.35	3.66	3.96	4.27
30"	1.25	1.67	2.09	2.50	2.92	3.34	3.76	4.17	4.59	5.01	5.42	5.84	6.26	
36"	1.59	2.12	2.65	3.18	3.71	4.24	4.77	5.30	5.83	6.36	6.88	7.41	7.94	
42"	1.93	2.57	3.21	3.85	4.49	5.14	5.78	6.42	7.06	7.70	8.35	8.99	9.63	
48"	2.26	3.02	3.77	4.53	5.44	6.03	6.79	7.54	8.30	9.05	9.81	10.56	11.31	
54"	2.60	3.47	4.33	5.20	6.07	6.93	7.80	8.67	9.53	10.40	11.27	12.13	13.00	
60"	2.94	3.92	4.90	5.87	6.85	7.83	8.81	9.79	10.77	11.75	12.73	13.71	14.69	
66"	3.27	4.37	5.46	6.55	7.64	8.73	9.82	10.91	12.01	13.10	14.19	15.28	16.37	
72"	3.61	4.82	6.02	7.22	8.43	9.63	10.83	12.04	13.24	14.45	15.65	16.85	18.06	
78"	3.95	5.26	6.58	7.90	9.21	10.53	11.85	13.16	14.48	15.79	17.11	18.43	19.74	
84"	4.29	5.71	7.14	8.57	10.00	11.43	12.86	14.28	15.71	17.14	18.57	20.00	21.43	
90"	4.62	6.16	7.70	9.25	10.79	12.33	13.87	15.41	16.95	18.49	20.03	21.57	23.11	
96"	4.96	6.61	8.27	9.92	11.57	13.23	14.88	16.53	18.19	19.84	21.49	23.14	24.80	