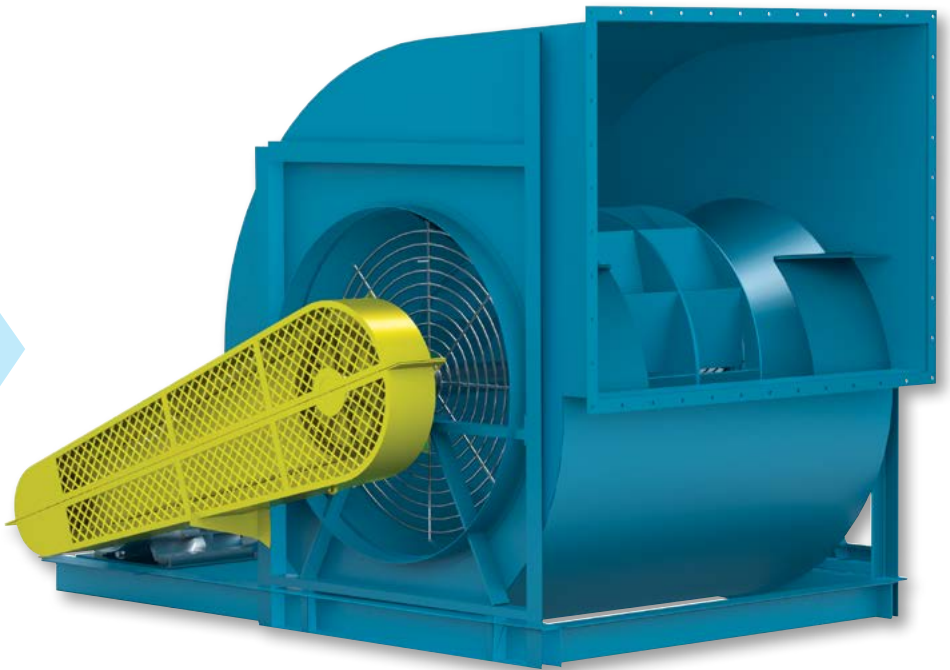




INDUSTRIAL PROCESS AND
COMMERCIAL VENTILATION SYSTEMS

BACKWARD INCLINED FANS

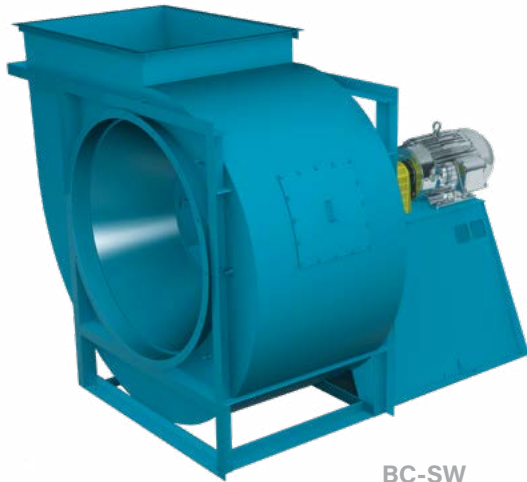
BC-SW | BC-DW



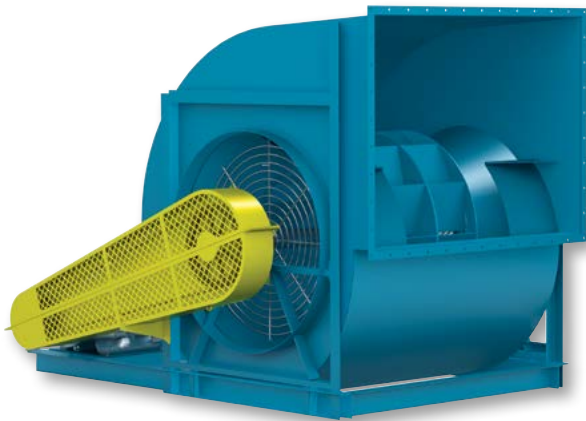


Overview

BC-SW | BC-DW



BC-SW
Arrangement 8



BC-DW
Arrangement 3

The Model BC is a non-overloading centrifugal fan available in a SWSI (single width, single inlet) and DWDI (double width, double inlet) design. The Model BC is a popular choice for the efficient handling of large volumes of relatively clean air at low to moderate pressures.

Twin City Fan & Blower has established itself as a leader in the design and manufacture of quality air moving equipment and continues to advance by implementing a philosophy that stresses quality in all of its operations. Our products are known for their rugged construction and reliability of operation. Twin City Fan & Blower offers flexibility in design and construction of fans coupled with superior service before and after the sale.

Typical Applications Include

Air Handling Units, General HVAC, Combustion Air Supply, Filtration and Drying systems, Fume Hood and Spray Booth Exhaust Systems, Air Pollution Control (Clean Side of Dust Collectors) and other Industrial Processes

Arrangements

Available in Single Width Arrangements 1, 3, 3F, 3SI, 7SI, 8, 9, 9F, 9H, 9ST, 9SS and 10

Available in Double Width Arrangements 3, 3DI, 3F, 7 and 7DI

Drive Configurations

Available in Both Direct and Belt Driven Configurations

Impeller Types

Backward Inclined

Standard Construction

Class I, II, III and IV

Optional Construction

Aluminum, Stainless Steel, High Temp and Spark Resistant

Certifications

AMCA Sound/Air, AMCA Air, FEI, UL 705 Listed for Electrical



Twin City Fan & Blower certifies that the Model BC-DW fans shown herein are licensed to bear the AMCA Seal. Certified performance data may be found in Twin City Fan & Blower's Fan Selector software.



Twin City Fan & Blower certifies that the Model BC-SW fans shown herein are licensed to bear the AMCA Seal. Certified performance data may be found in Twin City Fan & Blower's Fan Selector software.



Scan the QR code to search Twin City Fan & Blower's AMCA-certified products.



Model BC-SW & BC-DW is available with UL/cUL 705 listing, for electrical, File No. E158680.



For complete product performance, drawings and available accessories, download our Fan Selector software at tcf.com.

Overview

BC-SW | BC-DW

Model BC-SW

Sizes

12.25" to 98.25" impeller diameters

Performance

Airflow to 277,500 CFM
Static pressure to 20" w.g.

Arrangements

Available in Arrangements 1, 3, 3F, 3SI, 4, 7SI, 8, 9, 9F, 9H, 9ST, 9SS, 10

Model BC-DW

Sizes

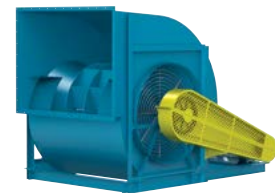
12.25" to 89" impeller diameters

Performance

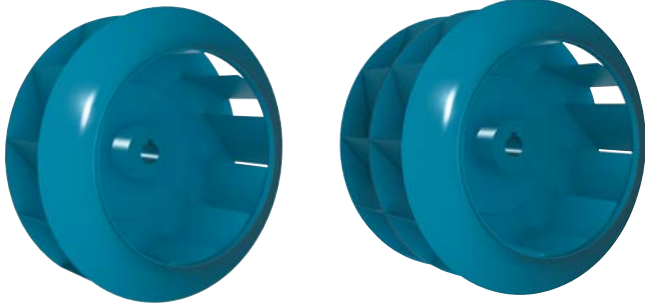
Airflow to 344,300 CFM
Static pressure to 14" w.g.

Arrangements

Available in Arrangements 3, 3F, 3DI, 7DI



Dust Collection Application



BC-SW Impeller

BC-DW Impeller

Impeller Construction

BC impellers are constructed of steel using flat single thickness blades, welded to the rim and back plate.

A conical spun shroud (rim) makes BC fans less susceptible to the performance losses associated with poor inlet conditions. All BC impellers are statically and dynamically balanced to grade BV3 per AMCA 204 for smooth operation prior to being assembled in the fan, followed by final balance of the entire rotating assembly.

Housing Construction

All fan housings are continuously-welded to provide strength and durability for extended service life.

All housings are reinforced with rigid bracing to increase structural integrity. Lifting lugs are standard on all fans. Precisely positioned cutoff plates and aerodynamically spun inlet cones provide high efficiency and smooth airflow through the fan. Inlet collars for slip-joint connections are standard on all SWSI fans. All SWSI fans and DWDI Class III and IV fans feature an outlet flange for duct connection as standard. DWDI Class I and II fan outlets are designed for slip-on joint connection. A flanged outlet is available as an option.

All fans are available in standard discharge configuration (see page 12). SWSI fans Class I and II, sizes 270 and smaller in Arrangements 1, 4, 9 and 10 are field rotatable to any standard discharge position. To help reduce overall heights, all DWDI fans feature a non-rotatable housing design as standard.

Shafts

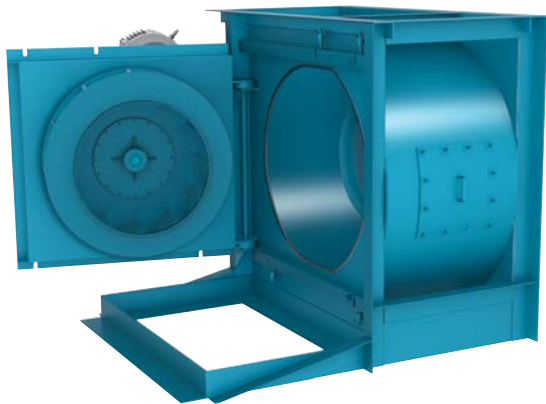
Shafts are AISI Grade 1040 or 1045 hot-rolled steel accurately turned, ground, polished and ring-gauged for accuracy. Shafts are sized for a first critical speed of at least 1.43 times the maximum speed for the class.

Bearings

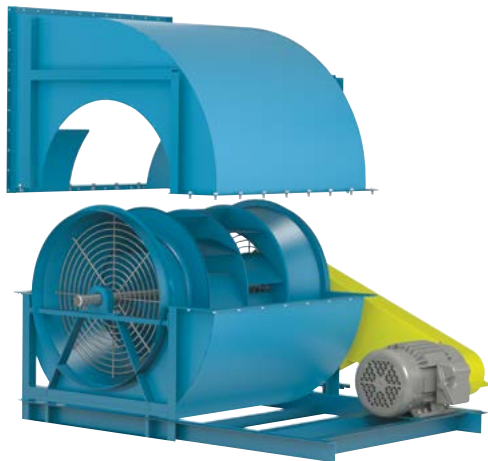
Bearings are heavy-duty, grease lubricated, spherical roller or adapter mounted anti-friction ball, self-aligning, pillow block type, selected for minimum average bearing life (AFBMA L-50) in excess of 200,000 hours at the maximum class RPM.

Optional Construction:

- Split Housings
- Swingout Construction
- High Temperature Construction (see page 5)



Swingout Construction
(Arrangements 9ST, 9SS)



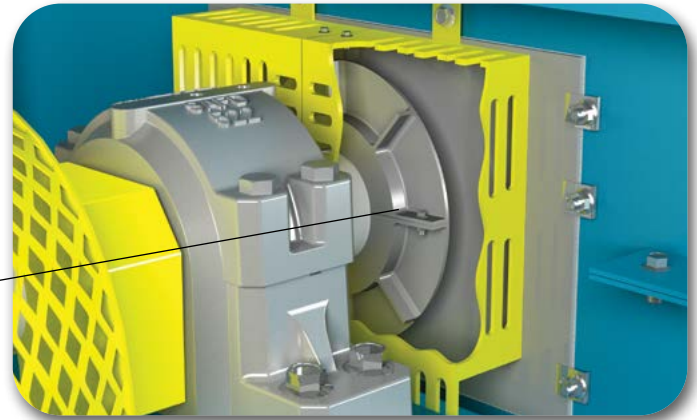
Split Housings
(Horizontal or Pie-Shaped)

High Temperature Construction

Standard fan design options are available to handle airstream temperatures to 800°F. Consult your Twin City Fan & Blower representative for applications over 800°F. The fan bearings should be kept outside of the hot airstream and below 130°F ambient. High temperature operating limits, available arrangements and necessary modifications are shown in Table 1.

Shaft Cooler (Heat Slinger)

Cast aluminum shaft cooler dissipates the heat transferred to the shaft from the airstream protecting the fan bearings. Recommended for applications over 300°F.



Shaft Cooler & Safety Guard

Table 1. High Temperature Construction Requirements

TEMPERATURE (°F)	TYPE OF BEARING	LUBRICATION	OTHER REQUIREMENTS	AVAILABLE ARRANGEMENTS
-20°F to +300°F	Ball or Roller	Grease	Standard Fan	Arr. 1, 8, 9, 9F, 10 Arr. 3 and 3F to 130°F Arr. 4 to 180°F
300°F to 500°F	Ball or Roller with (1) Expansion Bearing	High Temp. Grease	Shaft Cooler, Shaft Seal. for Arr. 9 & 10 Fans, a Motor Heat Shield is Included	Arr. 1, 8, 9, 9F, 10
500°F to 800°F	Ball or Roller with (1) Expansion Bearing	High Temp. Grease	High Temp. Aluminum Paint Shaft Cooler, Shaft Seal. For Arr. 9 & 10 Fans, a Motor Heat Shield is included.	Arr. 1, 8, 9, 9F, 10 (Arr. 9 & 10 Limited to 600°F)

Derating Factors For High Temperature

Fan operation at high temperature adversely affects the strength of fan impellers. As a result, the maximum safe speed must be derated. Consult Fan Selector (FS10) software for maximum safe speeds at elevated operating temperatures.

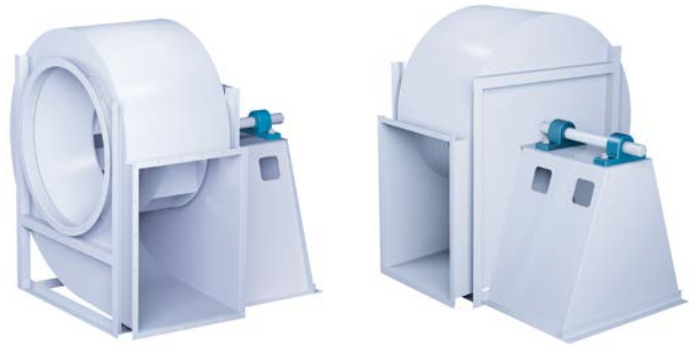


ENERGY REGULATIONS

Twin City Fan & Blower supports energy efficiency regulations enacted by the U.S. Department of Energy (DOE) and specific states. The selection and application of fan products is a significant part of these regulations. Engineers and specifiers must understand how to apply TCF products to their specific applications to meet applicable DOE and state regulatory requirements. Twin City Fan & Blower has made significant investments in product testing and development to provide efficient products. Developments in Twin City Fan & Blower's Fan Selector software are in place to aid your decision in product selection to assist with meeting the efficiency requirements as stipulated in the applicable regulations.

Arrangement 1 SWSI – Single Width, Single Inlet

Arrangement 1 is usually belt driven. The impeller is overhung on the shaft, i.e., mounted at the end of the shaft. The motor can be mounted in any of the four AMCA standard motor positions, W, X, Y or Z. The two fan bearings are mounted on the bearing pedestal, out of the airstream, which makes them ideal for high temperature or contaminated air applications. Belt driven configurations offer performance flexibility.



Arrangement 3 SWSI – Single Width, Single Inlet

Arrangement 3 is configured with the impeller mounted between the bearings making it structurally sound and compact. The arrangement 3 has one bearing located in the airstream. The motor can be mounted in any of the four AMCA standard motor positions, W, X, Y or Z.



Arrangement 3F SWSI – Single Width, Single Inlet

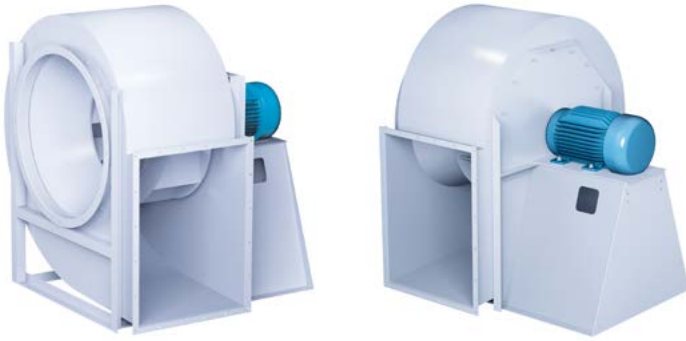
Arrangement 3F is an Arrangement 3 with extended angle frame to mount the motor and horizontal slide base as an assembly. Arrangement 3F is not suitable for mounting vibration isolators directly under the fan.



Arrangement 3SI SWSI – Single Width, Single Inlet

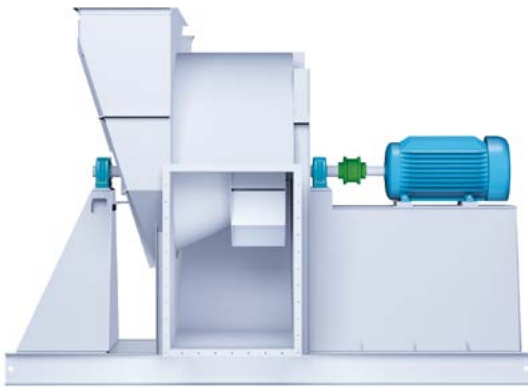
Arrangement 3SI is direct drive. Like the Arrangement 3, the impeller is mounted between the bearings. The Arrangement 3SI utilizes an integrated inlet box to locate the bearing outside of the airstream on independent bearing pedestals, which allows for elevated operating temperatures and relatively clean air. The Arrangement 3SI includes a pie split housing for easy impeller removal. The motor is located by the customer off the fan assembly and direct coupled to the shaft opposite of the inlet box side.





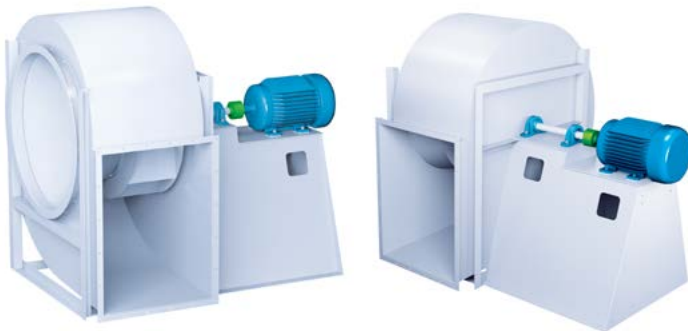
Arrangement 4
SWSI – Single Width, Single Inlet

Arrangement 4 is a direct drive fan. The impeller is mounted directly to the motor shaft with the motor mounted to a pedestal. Arrangement 4 offers low maintenance since there are no fan bearings, fan shaft or drive parts to maintain. Arrangement 4 fans are typically limited up to size 365.



Arrangement 7SI
SWSI – Single Width, Single Inlet

Arrangement 7SI is direct drive. Like the Arrangement 3SI, the impeller is mounted between the bearings. The Arrangement 7SI includes an integrated inlet box to locate the bearing outside of the airstream. The pedestal is designed to accommodate the motor, flexible coupling and one bearing. A pie split housing is provided for easy impeller removal. The fan assembly is then mounted on a unitary base as standard. An inertia base is an available option.

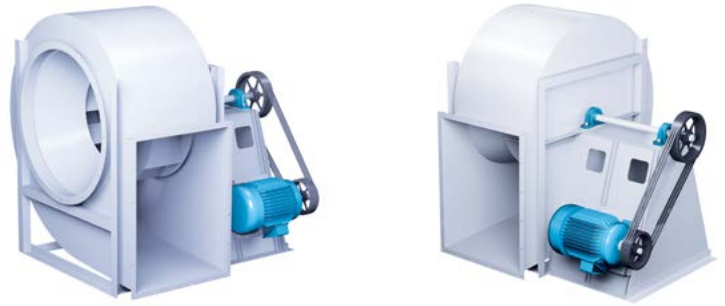


Arrangement 8
SWSI – Single Width, Single Inlet

Arrangement 8 is a modified version of Arrangement 1 used for direct drive. The Arrangement 1 bearing pedestal is extended to accommodate the motor. A flexible coupling connects the fan and motor shaft.

Arrangement 9
SWSI – Single Width, Single Inlet

Arrangement 9 is available as belt driven only. A motor slide base is mounted on the side of the bearing pedestal. This arrangement permits the unit to ship as a complete assembly with the motor and drive mounted. Typically, the motor is mounted on the left side of the pedestal for CW rotation fans and on the right side for CCW rotation fans.



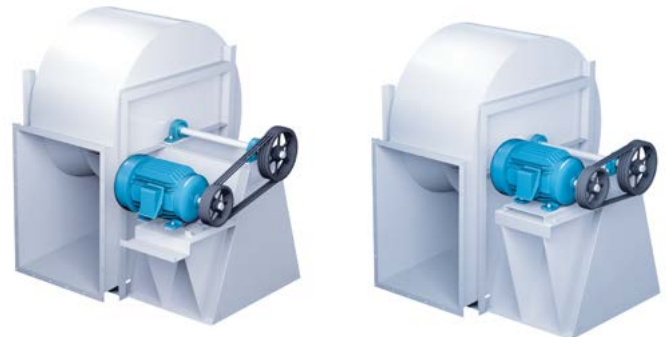
Arrangement 9F
SWSI – Single Width, Single Inlet

Arrangement 9F is available when an Arrangement 9 requires a motor that is too large to mount on the bearing pedestal. The fan frame is extended to accommodate the motor, for horizontal mounting, similar to an Arrangement 1 fan. Arrangement 9F is not suitable for mounting vibration isolators directly under the fan.



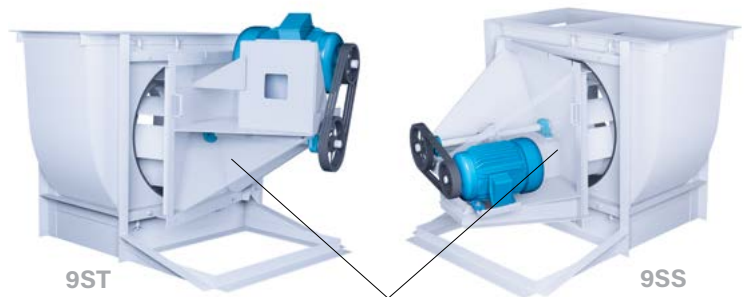
Arrangement 9H
SWSI – Single Width, Single Inlet

Arrangement 9H is available for motor mounting on the side of the bearing pedestal when horizontal motor adjustment is preferred. The pedestal is extended on one side to accommodate the motor for horizontal mounting. Typically, the motor is mounted on the left side of the pedestal for CW rotation fans and on the right side for CCW rotation fans.

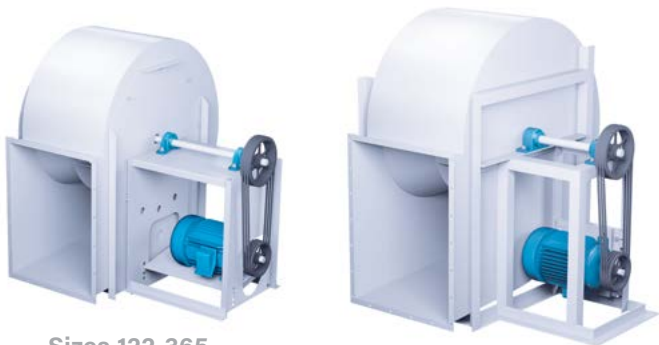


Arrangement 9ST & 9SS (Swingout)
SWSI – Single Width, Single Inlet

Arrangement 9ST and 9SS are modified Arrangement 9 fans intended for easy access to the impeller and housing interior. The motor and impeller assembly is mounted to reinforced framework to support the opened housing. Arrangement 9ST mounts the motor above the bearing pedestal. The Arrangement 9SS mounts the motor on the side of the bearing pedestal.



Transparency view for showing bearing location.

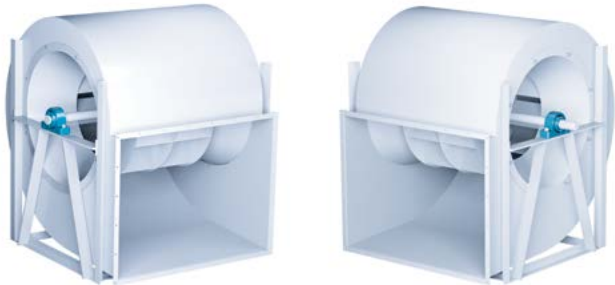


Sizes 122-365
(Vent Sets)

Sizes 402-600, Class I & II

Arrangement 10
SWSI – Single Width, Single Inlet

Arrangement 10 is available as belt driven only. For Class I and II fans, sizes 122 through 365, Arrangement 10 units are commonly referred to as Ventilating Sets. (Refer to Catalog 600 for more details.) Arrangement 10 units have adjustable motor bases mounted inside the bearing pedestal. This arrangement offers a more compact design than the Arrangement 9 and is suitable for roof or outdoor installations when supplied with the optional weather cover.



Arrangement 3
DWDI – Double Width, Double Inlet

DWDI fans are generally supplied in Arr. 3 for V-belt drive. The impeller is mounted between the bearings and supported by the fan housing. Since both bearings are located in the airstream, standard DWDI fans should be used for clean air applications with air temperatures limited to 130°F. The motor can be mounted in any of the four standard motor positions: W, X, Y or Z.



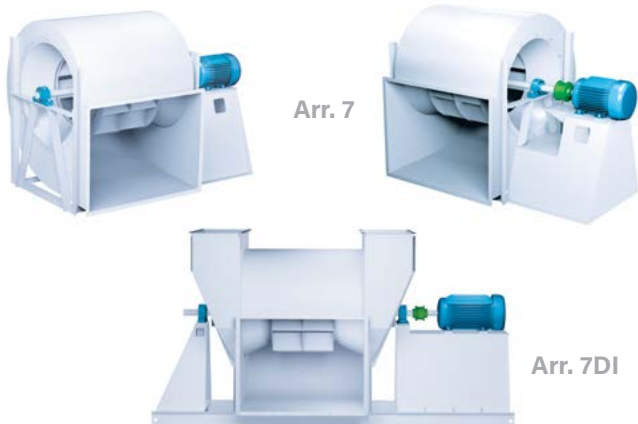
Arrangement 3DI
DWDI – Double Width, Double Inlet

Arrangement 3DI is direct drive. Like the Arrangement 3, the impeller is mounted between the bearings. The Arrangement 3DI utilizes integrated inlet boxes to locate the bearings outside of the airstream on independent bearing pedestals, which allows for elevated operating temperatures and relatively clean air. The Arrangement 3SI includes a pie split housing for easy impeller removal. The motor is located by the customer off the fan assembly and direct coupled to the shaft.



Arrangement 3F
DWDI – Double Width, Double Inlet

Arrangement 3F offers an integral extended base to accommodate the motor. The base is prepunched to accept vibration isolators. Arr. 3F is available to Size 660 and for motor positions W and Z as standard. For motor positions X and Y, consult factory.



Arr. 7

Arr. 7DI

Arrangement 7 & 7DI
DWDI – Double Width, Double Inlet

Arrangement 7 and 7DI are direct drive. Like the Arrangement 3 and 3DI, the impeller is mounted between the bearings, but the 7 and 7DI incorporate a pedestal designed to accommodate the motor, flexible coupling and one bearing. The Arrangement 7DI utilizes integrated inlet boxes to locate the bearings outside of the airstream allowing for elevated operating temperatures and relatively clean air. A pie split housing is provided for easy impeller removal. The Arrangement 7DI fan assembly is then mounted on a unitary base as standard. An inertia base is an available option.

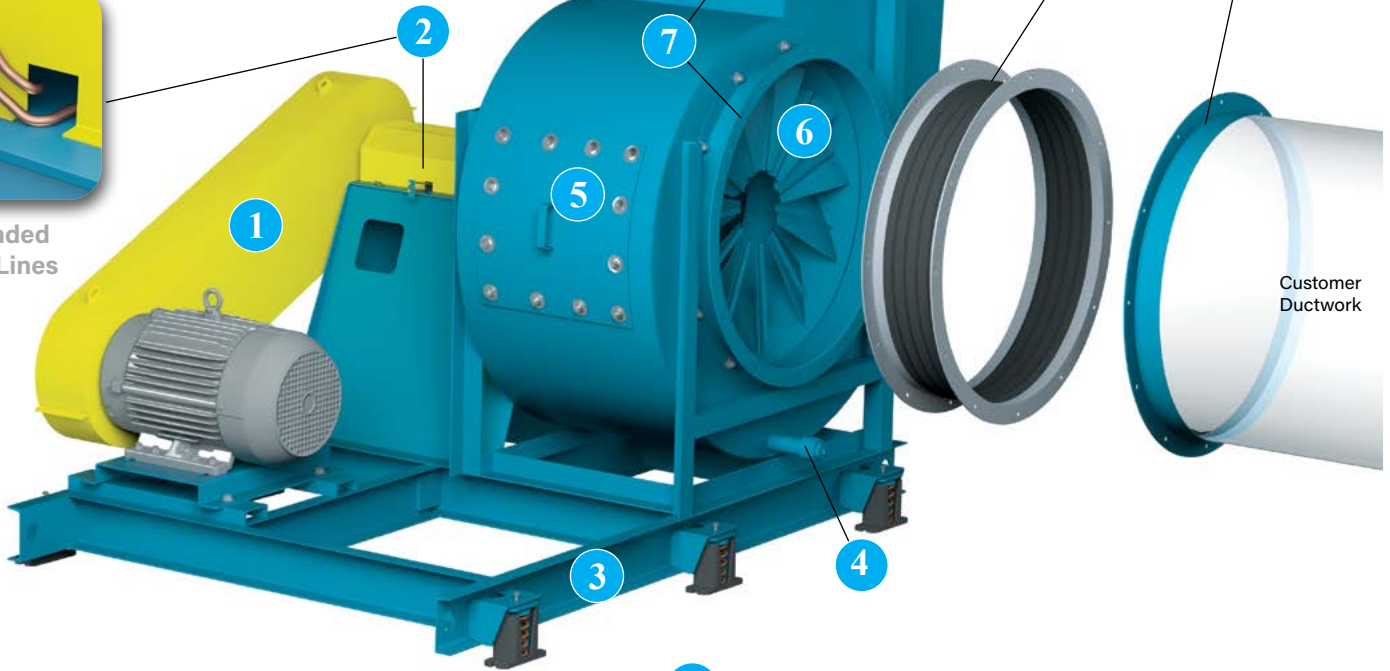
OPTIONS/ACCESSORIES



External Inlet Vanes



Extended Lube Lines



1 Belt Guard Belt guard protects personnel from the moving drive parts. OSHA and quick access guards are available. Arrangement 10 offers a standard weather cover.

2 Shaft Guard, Bearing Guard & Extended Lube Lines Sheet metal guards cover shaft and bearings and come with extended lube lines to a common point outside of the guard. A guard spanning the shaft between the bearings is available to provide open access to bearings for lubrication and vibration monitoring.

3 Vibration Isolation Bases provide a common support to fan, motor and drive including guards and utilize heavy-duty structural channel. Vibration isolation bases require spring or rubber-in-shear type isolators that are designed to limit forces transmitted to the support structure of an operating fan. Flexible connectors at inlet and outlet are also required (as shown).

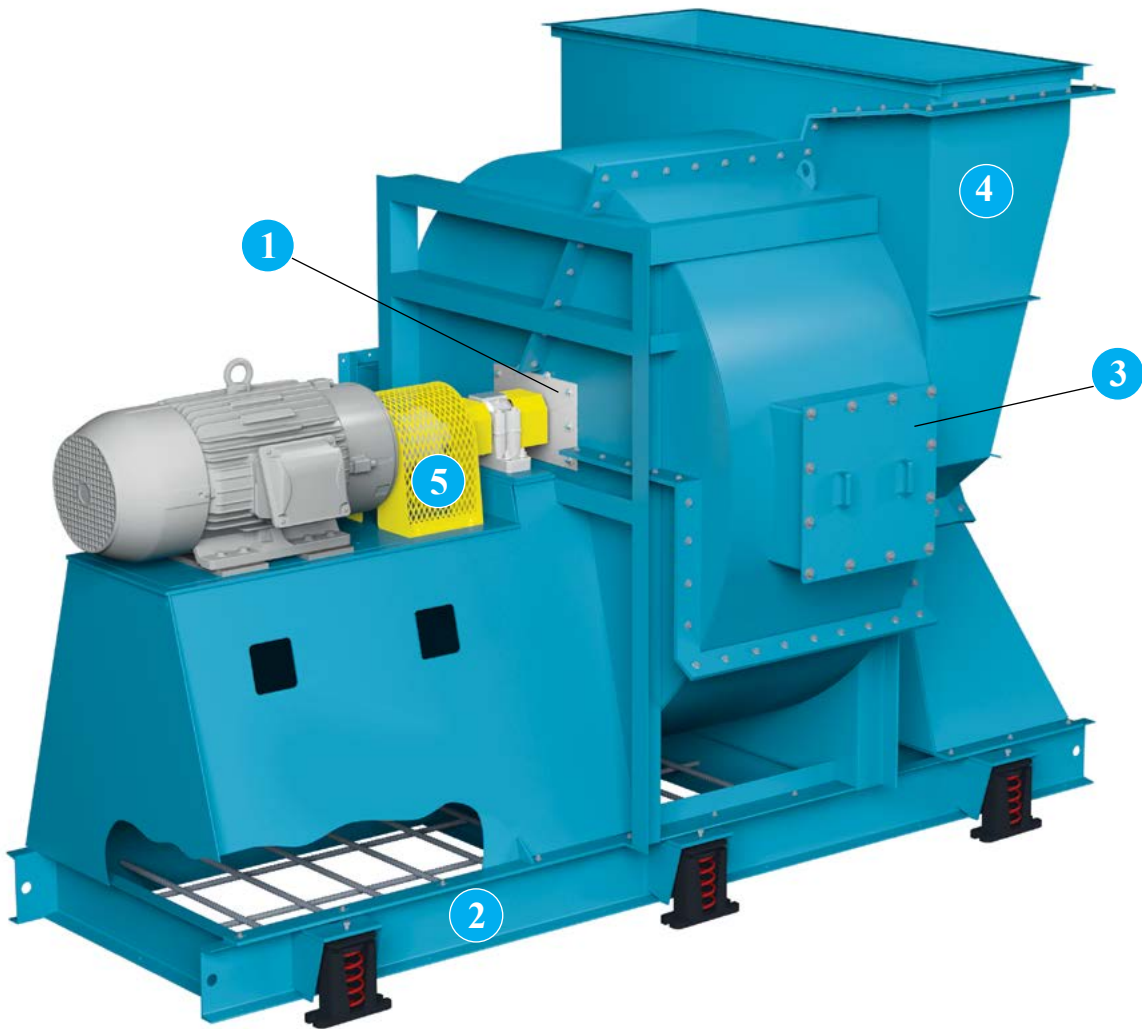
4 Drain with Plug Threaded pipe coupling welded to the lowest point in the housing scroll.

5 Bolted Access Doors for impeller inspection and maintenance. See page 11 for raised access doors.

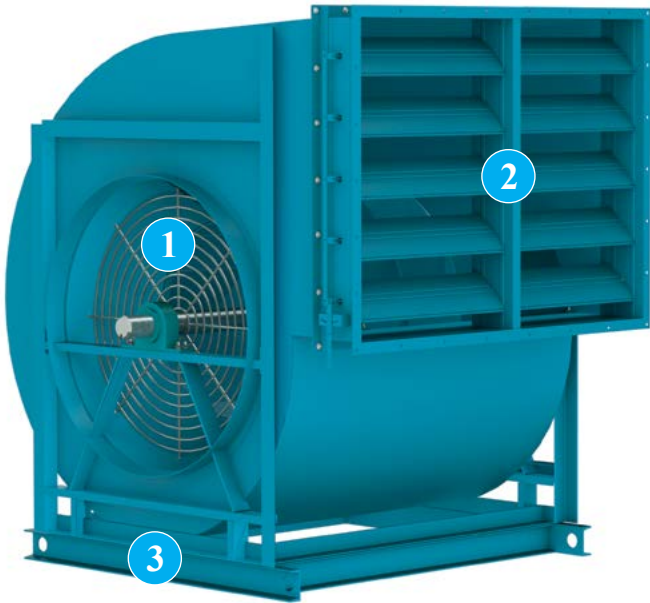
6 Nested & External Inlet Vanes Variable inlet vanes cause the entering air to spin in the direction of impeller rotation, resulting in reduction in volume, static pressure and brake horsepower and thus providing an infinite number of fan curves approximately parallel to the original fan curve. Variable inlet vanes cost about 50% to 80% more than outlet dampers but offer significant savings in energy. Both types are available to 600°F construction.

7 Flanged Inlets/Outlets Punched inlet flanges are available for duct mounting (as shown). Punched or unpunched outlet flanges are welded to the fan outlet. Unpunched flanged outlet is standard on all SWSI and DWDI Class III and IV fans.

8 Inlet/Outlet Companion Flanges & Flex Connectors (Round & Rectangular) Companion flanges are commonly connected to a user's duct for easy installation of flexible connections between the fan and duct. Companion flanges and flex connectors are punched to match the fan's inlet or outlet punching.



- 1 Shaft Seals** reduce leakage and protect the bearings from a contaminated airstream. Standard seals are constructed of Tetraglas compressed between an aluminum cover plate and the fan housing. The standard shaft seal is not gas tight. Special seals are available for low leakage applications requiring more protection.
- 2 Inertia Bases** provide a common support to fan, motor and drive including guards and utilize heavy-duty structural channel with spring isolators. Inertia bases incorporate reinforcing rods and require customer supplied concrete. Inertia bases are typically used on longer, direct drive fans to mitigate assembly deflection, maintaining proper alignment between the motor, coupling, shaft and bearings. Flexible connectors at inlet and outlet are required.
- 3 Raised Access Doors** for impeller inspection and maintenance.
- 4 Inlet Boxes** are designed to minimize pressure drop and are recommended for applications where uniform flow is difficult to obtain due to limited space. Inlet boxes can be designed to be either detachable or integral (shown above) to the fan.
- 5 Coupling Guards** are designed to cover the rotating shaft and drive components.



- 1 **Inlet & Outlet Safety Screens** are available for mounting in the fan inlet or outlet in non-ducted applications.
- 2 **Outlet Dampers (Opposed or Parallel Blade)** Outlet dampers add resistance to the fan by shifting the operating point to the left of the rating point. The horsepower savings depends on the relative position on the fan curve and is usually much less than other methods. Outlet dampers are typically the least expensive option and should be considered when infrequent operation at lesser capacity is desired or when handling hot, humid or particulate laden air. **Parallel blade dampers** are recommended for systems where air volume is modulated between full-open to about 75% of open. **Opposed blade dampers** cost about 10% more and are recommended for systems where volume is modulated over the entire range. Opposed blades reduce air volume in a closer relationship to the control arm movement. Both types are available to 750°F construction.
- 3 **Unitary Base** utilize structural channel to support the fan assembly and are designed for use without isolators.

OTHER OPTIONS/ACCESSORIES INCLUDE

Variable Frequency Drive (VFD) A VFD changes the fan speed for reduced volume operation and deliberate acceleration rates at start up. A VFD can provide the greatest potential for energy savings. A VFD should be considered for extended operation at part load conditions, especially below 70% of the full volume operation.

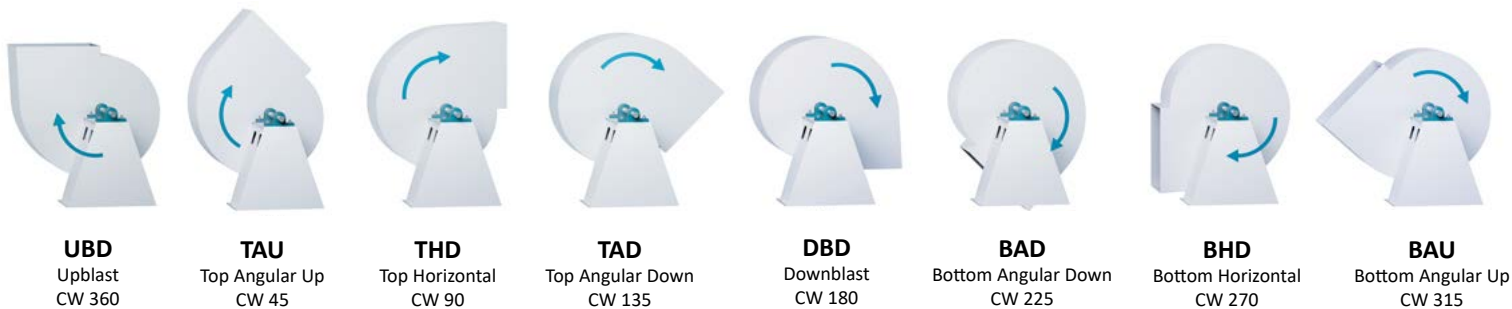
V-Belt Drives offer an economical yet flexible means of transmitting power to the fans. There are two types of V-belt drives. **Adjustable pitch** drives offer easy adjustment of speed. The motor pulley pitch can be adjusted when the fan is at rest offering speed variation of about 10% from the design speed. This style of sheave can result in higher vibration so adjustable pitch drives are not recommended for use on motors over 10 HP or wherever low vibration is required. **Fixed pitch or constant speed drives** offer low cost and the lowest vibration levels. Speed change can often be accomplished by changing only one of the sheaves.

Special Paint & Protective Coatings are available for many applications. Refer to Engineering Supplement ES-35 (Protective Coatings Chemical Resistance Guide) for more details.

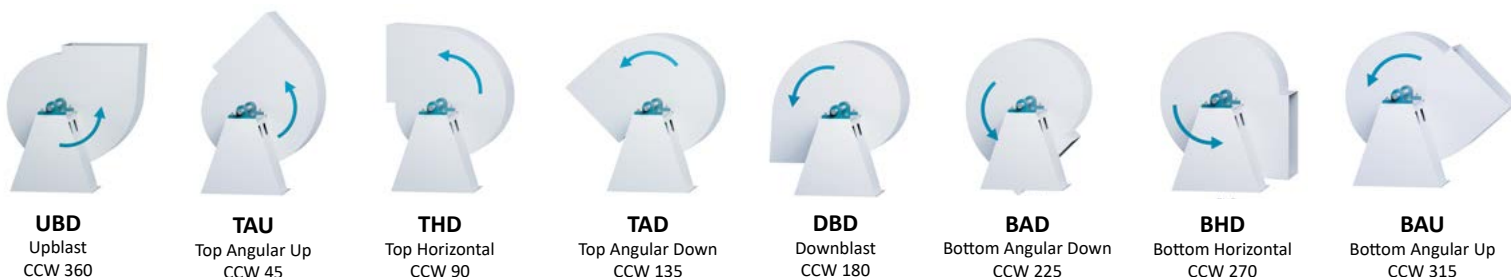
Bearing Upgrades to unit roller with non-split pillow block or spherical roller with split pillow block housings (bearing races not split) are available. Spherical roller bearings with split pillow block housings are not available for fans with less than 1-7/16" diameter bearings nor recommended for fans with lightly loaded bearings. Refer to Fan Engineering Data FE-1200 (Fan Bearing Selection) and FE-1300 (Fan Bearing Maintenance & Troubleshooting) for the correct type of bearings, selection criteria, maintenance, etc.

- Bearing RTD (temperature sensors)
- Vibration sensors
- Piezometer ring airflow measuring system. Refer to Twin City Fan IM-105 (Airflow Measuring System Using Piezometer Ring).
- Steel wall & aluminum clad insulated housings
- Insulation pins
- Consult factory for other accessories

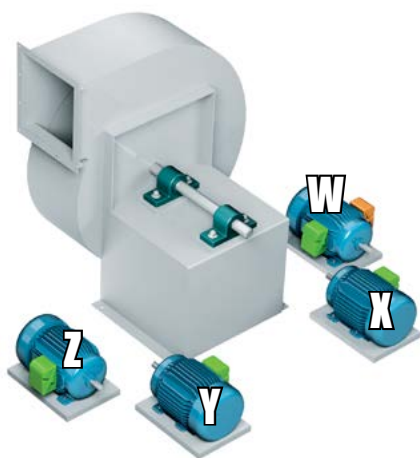
CLOCKWISE (CW) - ROTATION & DISCHARGE (ROTATION VIEW FROM DRIVE SIDE)



COUNTER CLOCKWISE (CCW) - ROTATION & DISCHARGE (ROTATION VIEW FROM DRIVE SIDE)



MOTOR POSITIONS



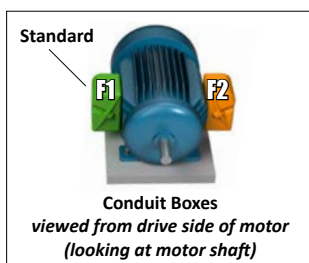
Arrangements 1 & 3



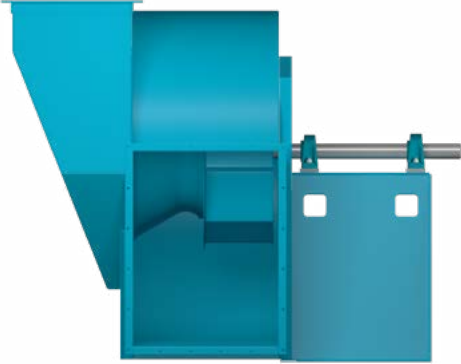
Arrangement 9



Arrangement 9F

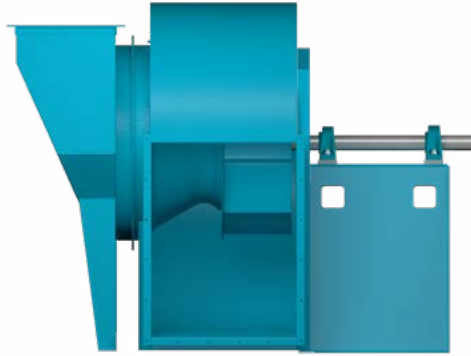


INLET BOXES



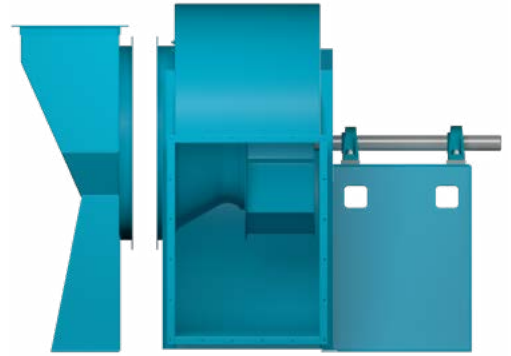
INTEGRAL INLET BOX (ATTACHED)

Arrangement 1 fan with attached or integral inlet box. Can be supplied in Arrangement 8.



DETACHED INLET BOX (BOLT ON)

Arrangement 1 fan with detached inlet box. Can be supplied in Arrangement 8.



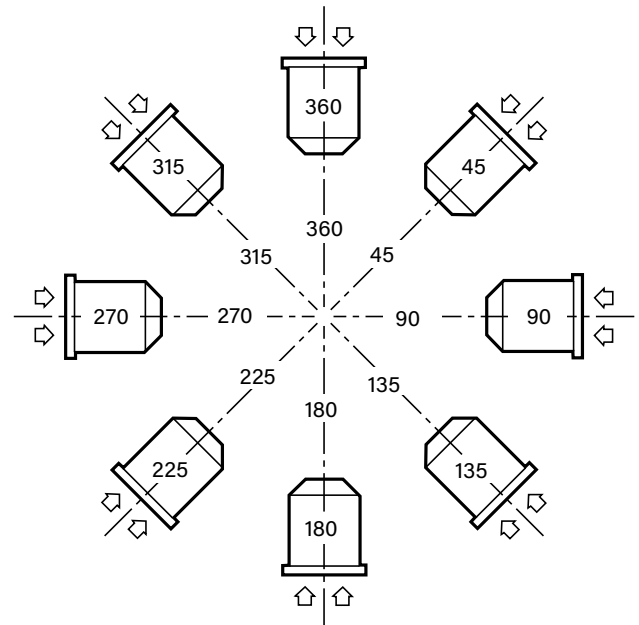
DETACHED INLET BOX (FREE STANDING)

Self-supporting units with independent mounting frames.

Inlet Box Positions for Centrifugal Fans

INLET BOX POSITIONS AND DESCRIPTIONS
45 — Angular Down Intake
90 — Horizontal Right Intake
135 — Angular Up Intake
180 — Bottom Up Intake
225 — Angular Up Intake
270 — Horizontal Left Intake
315 — Angular Down Intake
360 — Top Down Intake

Reference line is the Top Vertical Axis through center of fan shaft.
 Position of inlet box and air entry to inlet box is determined from drive side of fan.
 Position of inlet box is designated in degrees clockwise from Top Vertical Axis as shown.
 Positions 135° to 225° in some cases interfere seriously with floor structure.



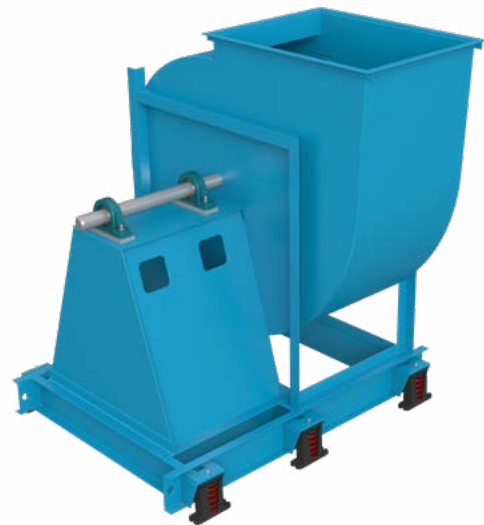
Unitary Bases

The structural steel base provides common support to fan, motor and drive including guards. This style of base is designed for use without isolators and requires adequate foundation integrity for proper operation.



Isolation Bases

Isolation bases provide a common support to fan, motor and drive, including guards. Constructed with heavy-duty structural channels and includes spring isolations. Not available on Arrangement 8. Flexible connectors at inlet and outlet are required.



Inertia Bases

Inertia bases provide a common support to fan, motor and drive including guards and utilize heavy-duty structural channel with spring isolators. Inertia bases incorporate reinforcing rods and require customer supplied concrete. Inertia bases are typically used on longer, direct drive fans to mitigate assembly deflection, maintaining proper alignment between the motor, coupling, shaft and bearings. Flexible connectors at inlet and outlet are required.



Maximum RPM, Impeller Weights & WR² (moment of inertia in lb-ft²)

BC SWSI

FAN SIZE	CLASS I			CLASS II			CLASS III			CLASS IV		
	MAX. RPM	IMPELLER WEIGHT (LB)	WR ² (LB-FT ²)	MAX. RPM	IMPELLER WEIGHT (LB)	WR ² (LB-FT ²)	MAX. RPM	IMPELLER WEIGHT (LB)	WR ² (LB-FT ²)	MAX. RPM	IMPELLER WEIGHT (LB)	WR ² (LB-FT ²)
122	3167	15	1.7	4119	15	1.7	5208	22	2.4	5608	25	2.7
135	2874	17	2.4	3738	18	2.7	4726	27	3.9	5099	28	3.9
150	2587	20	3.7	3364	21	4.1	4253	31	5.8	4580	33	5.8
165	2352	24	5.7	3058	28	7.0	3867	38	8.4	4167	37	8.4
182	2118	31	8.8	2729	39	10.8	3473	53	13.9	3766	53	13.9
200	1932	38	12.5	2490	49	17.4	3169	63	19.8	3442	75	25.3
222	1737	66	23.6	2238	74	28.8	2848	85	32.0	3088	98	40.3
245	1577	81	38.3	2033	87	42.9	2587	110	50.9	2808	130	66.8
270	1397	94	56.4	1803	103	64.6	2287	132	79.2	2544	152	97.8
300	1257	113	88.8	1623	125	101	2059	172	139	2291	172	136
330	1143	151	149	1475	167	158	1871	215	221	2081	205	200
365	995	198	245	1283	214	260	1727	273	288	1883	252	297
402	903	244	361	1163	254	382	1566	301	437	1706	298	437
445	817	340	566	1052	392	692	1416	412	681	1545	446	776
490	742	393	816	956	455	1001	1286	478	985	1401	550	1195
542	670	461	1209	863	542	1392	1162	604	1570	1260	731	1994
600	606	593	1954	780	642	2066	1050	793	2647	1146	907	3141
660	551	859	3008	710	975	3629	955	1068	4034	1040	1250	4961
730	498	1147	5336	641	1142	5336	863	1274	6160	940	1567	7724
807	450	1391	8228	580	1466	8754	780	1711	10416	851	1980	12378
890	408	1902	13450	526	1908	13451	708	2378	17378	772	2679	20204
982	370	2243	19589	477	2257	19590	641	2777	26316	CONSULT FACTORY		

BC DWDI

FAN SIZE	CLASS I			CLASS II			CLASS III			CLASS IV		
	MAX. RPM	IMPELLER WEIGHT (LB)	WR ² (LB-FT ²)	MAX. RPM	IMPELLER WEIGHT (LB)	WR ² (LB-FT ²)	MAX. RPM	IMPELLER WEIGHT (LB)	WR ² (LB-FT ²)	MAX. RPM	IMPELLER WEIGHT (LB)	WR ² (LB-FT ²)
122	3196	20.4	2.7	4168	22.1	2.7	CONSULT FACTORY*			CONSULT FACTORY*		
135	2904	23.7	3.9	3787	32.7	4.5						
150	2594	29.8	5.9	3383	37.7	6.8						
165	2358	37.1	9.3	3075	47.5	11.3						
182	2149	53.2	14.3	2776	59.7	17.2	3504	79.6	23.1	3766	88.1	23.4
200	1961	60.7	20.4	2533	91.3	29.0	3197	100	33.3	3442	122	42.2
222	1762	85.6	35.1	2277	108	45.7	2874	134	52.7	3088	163	66.4
245	1601	119	60.5	2068	130	69.7	2610	164	81.1	2808	217	110
270	1392	140	90.5	1830	172	108	2267	205	129	2544	252	170
300	1253	172	145	1647	208	171	2040	277	234	2290	297	235
330	1139	253	251	1497	275	270	1855	348	378	2081	339	343
365	1015	315	397	1302	342	426	1651	442	581	1883	398	510
402	920	370	585	1181	403	627	1497	460	750	1706	485	753
445	832	558	914	1068	656	1165	1354	635	1152	1545	726	1345
490	748	642	1321	966	763	1690	1222	728	1674	1401	874	2027
542	676	743	1960	872	819	2363	1104	919	2606	1260	1097	3239
600	611	912	3070	789	961	3513	998	1232	4506	1146	1392	5174
660	555	1194	4646	717	1420	6213	907	1606	6760	1040	1918	8291
730	502	1738	9198	648	1752	9201	820	1910	10010	940	2320	13075
807	459	2178	14334	589	2276	14866	746	2729	18438	851	3051	21302
890	416	3085	22490	534	3040	22484	677	3625	29218	772	3949	33373
982	377	3580	32972	484	3528	32965	CONSULT FACTORY			CONSULT FACTORY		

* Operating speeds above 4000 RPM are not recommended. Consult factory.

BC SWSI Class I

FAN SIZE	HOUSING		SHAFT DIAMETER & BEARINGS				BARE FAN WEIGHT (LB)		
	SIDES	SCROLL	ARR 1 & 9		ARR 3		ARR 1	ARR 3	ARR 9
			SHAFT DIA.	BEARING TYPE	SHAFT DIA.	BEARING TYPE			
122	14	14	1	B	1	B	118	100	124
135	14	14	1	B	1	B	135	120	142
150	14	14	1	B	1	B	163	143	171
165	14	14	1	B	1	B	192	192	201
182	14	14	1 ³ / ₁₆	B	1 ³ / ₁₆	B	245	211	257
200	14	14	1 ⁷ / ₁₆	B	1 ⁷ / ₁₆	B	296	239	311
222	12	14	1 ⁷ / ₁₆	B	1 ⁷ / ₁₆	B	387	278	406
245	12	14	1 ⁷ / ₁₆	B	1 ⁷ / ₁₆	B	467	338	490
270	12	14	1 ¹¹ / ₁₆	B	1 ⁷ / ₁₆	B	563	419	591
300	10	12	1 ¹⁵ / ₁₆	B	1 ¹¹ / ₁₆	B	678	624	712
330	10	12	1 ¹⁵ / ₁₆	B	1 ¹¹ / ₁₆	B	819	880	860
365	10	12	1 ¹⁵ / ₁₆	B	1 ¹⁵ / ₁₆	B	1009	948	1059
402	10	12	2 ³ / ₁₆	B	1 ¹⁵ / ₁₆	B	1339	1210	1406
445	10	12	2 ⁷ / ₁₆	B	1 ¹⁵ / ₁₆	B	1573	1530	1652
490	10	12	2 ¹¹ / ₁₆	B	2 ³ / ₁₆	R	1834	1695	1925
542	10	12	2 ¹⁵ / ₁₆	B	2 ⁷ / ₁₆	R	2634	2190	2765
600	10	12	2 ¹⁵ / ₁₆	B	2 ¹⁵ / ₁₆	R	3124	3020	3281
660	10	12	3 ⁷ / ₁₆	R	2 ¹⁵ / ₁₆	R	4007	3850	4207
730	10	10	3 ⁷ / ₁₆	R	3 ⁷ / ₁₆	R	4962	4570	5210
807	10	10	3 ¹⁵ / ₁₆	R	3 ¹⁵ / ₁₆	R	5016	5250	5267
890	7	10	3 ¹⁵ / ₁₆	R	3 ¹⁵ / ₁₆	R	6831	6300	7173
982	7	7	4 ¹⁵ / ₁₆	SR	4 ¹⁵ / ₁₆	SR	8908	7390	9353

Bearing Types: B = Ball Bearing R = Unit Roller Bearings SR = Spherical Roller Bearings with Split Pillow Block Housings

BC SWSI Class II

FAN SIZE	HOUSING		SHAFT DIAMETER & BEARINGS				BARE FAN WEIGHT (LB)		
	SIDES	SCROLL	ARR 1 & 9		ARR 3		ARR 1	ARR 3	ARR 9
			SHAFT DIA.	BEARING TYPE	SHAFT DIA.	BEARING TYPE			
122	14	14	1	B	1	B	123	110	129
135	14	14	1	B	1	B	141	132	148
150	14	14	1 ³ / ₁₆	B	1 ³ / ₁₆	B	173	157	182
165	14	14	1 ³ / ₁₆	B	1 ³ / ₁₆	B	203	211	213
182	14	14	1 ⁷ / ₁₆	B	1 ⁷ / ₁₆	B	261	232	274
200	14	14	1 ⁷ / ₁₆	B	1 ⁷ / ₁₆	B	307	263	322
222	12	14	1 ⁷ / ₁₆	B	1 ⁷ / ₁₆	B	396	306	416
245	12	14	1 ¹¹ / ₁₆	B	1 ¹¹ / ₁₆	B	489	372	513
270	12	14	1 ¹¹ / ₁₆	B	1 ¹¹ / ₁₆	B	577	461	605
300	10	12	1 ¹⁵ / ₁₆	B	1 ¹⁵ / ₁₆	B	693	686	728
330	10	12	2 ³ / ₁₆	B	2 ³ / ₁₆	B	855	968	898
365	10	12	2 ⁷ / ₁₆	B	2 ⁷ / ₁₆	B	1080	1043	1134
402	10	12	2 ⁷ / ₁₆	R	2 ⁷ / ₁₆	B	1395	1331	1465
445	10	12	2 ¹¹ / ₁₆	R	2 ¹¹ / ₁₆	R	1640	1683	1722
490	10	12	2 ¹⁵ / ₁₆	R	2 ¹¹ / ₁₆	R	1914	1865	2009
542	10	12	3 ⁷ / ₁₆	R	2 ¹⁵ / ₁₆	R	2762	2409	2900
600	10	12	3 ⁷ / ₁₆	R	3 ⁷ / ₁₆	R	3237	3322	3399
660	10	12	3 ¹⁵ / ₁₆	R	3 ¹⁵ / ₁₆	R	4204	4235	4415
730	10	10	3 ¹⁵ / ₁₆	R	3 ¹⁵ / ₁₆	R	5133	5027	5390
807	10	10	4 ⁷ / ₁₆	SR	4 ⁷ / ₁₆	SR	5238	5775	5500
890	7	10	4 ¹⁵ / ₁₆	SR	4 ¹⁵ / ₁₆	SR	7196	6930	7556
982	7	7	5 ⁷ / ₁₆	SR	5 ⁷ / ₁₆	SR	9138	8128	9594

Bearing Types: B = Ball Bearing R = Unit Roller Bearings SR = Spherical Roller Bearings with Split Pillow Block Housings

BC SWSI Class III

FAN SIZE	HOUSING		SHAFT DIAMETER & BEARINGS				BARE FAN WEIGHT (LB)		
	SIDES	SCROLL	ARR 1 & 9		ARR 3		ARR 1	ARR 3	ARR 9
			SHAFT DIA.	BEARING TYPE	SHAFT DIA.	BEARING TYPE			
122	10	10	1 ⁷ / ₁₆	B	1 ⁷ / ₁₆	B	139	195	146
135	10	10	1 ⁷ / ₁₆	B	1 ⁷ / ₁₆	B	159	223	167
150	10	10	1 ¹¹ / ₁₆	B	1 ¹¹ / ₁₆	B	198	276	208
165	10	10	1 ¹¹ / ₁₆	B	1 ¹¹ / ₁₆	B	224	363	236
182	10	10	1 ¹¹ / ₁₆	B	1 ¹¹ / ₁₆	B	293	394	308
200	10	10	1 ¹⁵ / ₁₆	B	1 ¹¹ / ₁₆	B	343	433	360
222	10	10	1 ¹⁵ / ₁₆	B	1 ¹⁵ / ₁₆	R	442	477	465
245	7	7	2 ³ / ₁₆	B	1 ¹⁵ / ₁₆	R	620	539	651
270	7	7	2 ³ / ₁₆	B	1 ¹⁵ / ₁₆	R	740	639	777
300	7	7	2 ⁷ / ₁₆	R	2 ³ / ₁₆	R	950	1029	997
330	7	7	2 ¹¹ / ₁₆	R	2 ⁷ / ₁₆	R	1157	1047	1215
365	7	7	2 ¹¹ / ₁₆	R	2 ⁷ / ₁₆	R	1387	1448	1456
402	7	7	2 ¹⁵ / ₁₆	R	2 ¹¹ / ₁₆	R	1719	1805	1805
445	7	7	3 ⁷ / ₁₆	R	2 ¹⁵ / ₁₆	R	2112	2237	2218
490	7	7	3 ⁷ / ₁₆	R	2 ¹⁵ / ₁₆	R	2478	2543	2602
542	7	7	3 ¹⁵ / ₁₆	R	3 ⁷ / ₁₆	R	3509	3245	3684
600	7	7	4 ⁷ / ₁₆	SR	3 ¹⁵ / ₁₆	R	4429	4437	4651
660	7	7	4 ⁷ / ₁₆	SR	3 ¹⁵ / ₁₆	R	5283	5922	5547
730	7	7	4 ¹⁵ / ₁₆	SR	4 ⁷ / ₁₆	SR	6365	6921	6683
807	7	7	4 ¹⁵ / ₁₆	SR	4 ¹⁵ / ₁₆	SR	6376	7986	6694
890	7	7	5 ⁷ / ₁₆	SR	5 ⁷ / ₁₆	SR	7662	9516	8045

Bearing Types: B = Ball Bearing R = Unit Roller Bearings SR = Spherical Roller Bearings with Split Pillow Block Housings

BC SWSI Class IV

FAN SIZE	HOUSING		SHAFT DIAMETER & BEARINGS				BARE FAN WEIGHT (LB)		
	SIDES	SCROLL	ARR 1 & 9		ARR 3		ARR 1	ARR 3	ARR 9
			SHAFT DIA.	BEARING TYPE	SHAFT DIA.	BEARING TYPE			
122	7	7	1 ¹¹ / ₁₆	B	1 ¹¹ / ₁₆	B	176	210	185
135	7	7	1 ¹¹ / ₁₆	B	1 ¹¹ / ₁₆	B	202	248	212
150	7	7	1 ¹¹ / ₁₆	B	1 ¹¹ / ₁₆	B	236	307	248
165	7	7	1 ¹⁵ / ₁₆	B	1 ¹¹ / ₁₆	R	279	404	293
182	7	7	1 ¹⁵ / ₁₆	B	1 ¹¹ / ₁₆	R	381	438	400
200	7	7	2 ³ / ₁₆	R	1 ¹⁵ / ₁₆	R	469	481	493
222	7	7	2 ³ / ₁₆	R	1 ¹⁵ / ₁₆	R	582	531	611
245	7	7	2 ⁷ / ₁₆	R	2 ³ / ₁₆	R	697	599	732
270	7	7	2 ⁷ / ₁₆	R	2 ³ / ₁₆	R	855	710	898
300	7	7	2 ¹¹ / ₁₆	R	2 ⁷ / ₁₆	R	1079	1144	1133
330	0.25	0.25	2 ¹⁵ / ₁₆	R	2 ¹¹ / ₁₆	R	1472	1556	1546
365	0.25	0.25	3 ⁷ / ₁₆	R	2 ¹⁵ / ₁₆	R	1903	1610	1998
402	0.25	0.25	3 ⁷ / ₁₆	R	2 ¹⁵ / ₁₆	R	2340	2006	2457
445	0.25	0.25	3 ¹⁵ / ₁₆	R	3 ⁷ / ₁₆	R	2925	2486	3071
490	0.25	0.25	3 ¹⁵ / ₁₆	R	3 ⁷ / ₁₆	R	3376	2825	3545
542	0.25	0.25	4 ⁷ / ₁₆	SR	3 ¹⁵ / ₁₆	R	4391	3607	4611
600	0.25	0.25	4 ¹⁵ / ₁₆	SR	4 ⁷ / ₁₆	SR	5301	4930	5566
660	0.25	0.25	4 ¹⁵ / ₁₆	SR	4 ⁷ / ₁₆	SR	6392	6581	6712
730	0.25	0.25	5 ⁷ / ₁₆	SR	4 ¹⁵ / ₁₆	SR	7874	7690	8268
807	0.25	0.25	5 ⁷ / ₁₆	SR	5 ⁷ / ₁₆	SR	7754	8874	8142
890	0.25	0.25	5 ¹⁵ / ₁₆	SR	5 ¹⁵ / ₁₆	SR	9198	10574	9658

Bearing Types: B = Ball Bearing R = Unit Roller Bearings SR = Spherical Roller Bearings with Split Pillow Block Housings

BC DWDI Class I & II

FAN SIZE	HOUSING		SHAFT DIAMETER & BEARINGS						BARE FAN WEIGHT (LB.)			
	SIDES	SCROLL	CLASS I			CLASS II			ARR. 3		ARR. 3F	
			SHAFT DIAMETER @ BRG.	@ IMPELLER	BEARING TYPE	SHAFT DIAMETER @ BRG.	@ IMPELLER	BEARING TYPE	CLASS I	CLASS II	CLASS I	CLASS II
122	14	14	1 ³ / ₁₆	1 ³ / ₁₆	B	1 ⁷ / ₁₆	1 ⁷ / ₁₆	B	139	153	181	199
135	14	14	1 ³ / ₁₆	1 ³ / ₁₆	B	1 ¹¹ / ₁₆	1 ¹¹ / ₁₆	B	159	174	207	226
150	14	14	1 ⁷ / ₁₆	1 ⁷ / ₁₆	B	1 ¹¹ / ₁₆	1 ¹¹ / ₁₆	B	193	212	251	276
165	14	14	1 ⁷ / ₁₆	1 ⁷ / ₁₆	B	1 ¹⁵ / ₁₆	1 ¹⁵ / ₁₆	B	222	244	289	317
182	12	14	1 ¹¹ / ₁₆	1 ¹¹ / ₁₆	B	1 ¹⁵ / ₁₆	1 ¹⁵ / ₁₆	B	248	273	322	355
200	12	14	1 ¹¹ / ₁₆	1 ¹¹ / ₁₆	B	2 ³ / ₁₆	2 ³ / ₁₆	B	344	378	447	491
222	12	14	1 ¹⁵ / ₁₆	1 ¹⁵ / ₁₆	B	2 ⁷ / ₁₆	2 ⁷ / ₁₆	B	451	496	586	645
245	12	14	2 ³ / ₁₆	2 ³ / ₁₆	B	2 ⁷ / ₁₆	2 ⁷ / ₁₆	B	509	560	662	728
270	12	14	2 ³ / ₁₆	2 ³ / ₁₆	B	2 ¹¹ / ₁₆	2 ¹¹ / ₁₆	R	639	703	831	914
300	10	12	2 ⁷ / ₁₆	2 ⁷ / ₁₆	B	2 ⁷ / ₁₆	2 ¹⁵ / ₁₆	R	895	985	1164	1281
330	10	12	2 ⁷ / ₁₆	2 ⁷ / ₁₆	B	2 ⁷ / ₁₆	3 ⁷ / ₁₆	R	1015	1117	1320	1452
365	10	12	2 ¹¹ / ₁₆	2 ¹¹ / ₁₆	B	2 ¹¹ / ₁₆	3 ⁷ / ₁₆	R	1352	1487	1758	1933
402	10	12	2 ⁷ / ₁₆	2 ¹⁵ / ₁₆	R	2 ¹¹ / ₁₆	3 ⁷ / ₁₆	R	1690	1859	2197	2417
445	10	12	2 ⁷ / ₁₆	3 ⁷ / ₁₆	R	2 ¹⁵ / ₁₆	3 ¹⁵ / ₁₆	R	2100	2310	2730	3003
490	10	12	2 ¹¹ / ₁₆	3 ⁷ / ₁₆	R	3 ⁷ / ₁₆	3 ¹⁵ / ₁₆	R	2310	2541	3003	3303
542	10	12	2 ¹⁵ / ₁₆	3 ¹⁵ / ₁₆	R	3 ⁷ / ₁₆	4 ⁷ / ₁₆	R	2946	3241	3830	4213
600	10	12	3 ⁷ / ₁₆	4 ⁷ / ₁₆	R	3 ¹⁵ / ₁₆	4 ¹⁵ / ₁₆	R	4150	4565	—	—
660	10	12	3 ⁷ / ₁₆	4 ⁷ / ₁₆	R	3 ¹⁵ / ₁₆	4 ¹⁵ / ₁₆	R	5300	5830	—	—
730	10	10	3 ¹⁵ / ₁₆	4 ¹⁵ / ₁₆	R	3 ¹⁵ / ₁₆	5 ¹⁵ / ₁₆	R	6100	6710	—	—
807	10	10	3 ¹⁵ / ₁₆	5 ⁷ / ₁₆	R	4 ⁷ / ₁₆	6 ⁷ / ₁₆	SR	7580	8338	—	—
890	7	10	3 ¹⁵ / ₁₆	5 ¹⁵ / ₁₆	R	4 ⁷ / ₁₆	6 ¹⁵ / ₁₆	SR	9100	10010	—	—
982	7	7	4 ¹⁵ / ₁₆	6 ⁷ / ₁₆	SR	5 ⁷ / ₁₆	7 ¹ / ₂	SR	11052	12157	—	—

Bearing Types: B = Ball Bearing R = Unit Roller Bearings SR = Spherical Roller Bearings with Split Pillow Block Housings

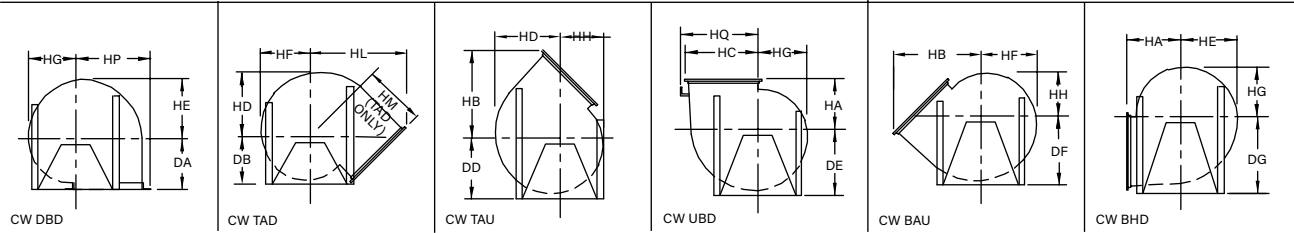
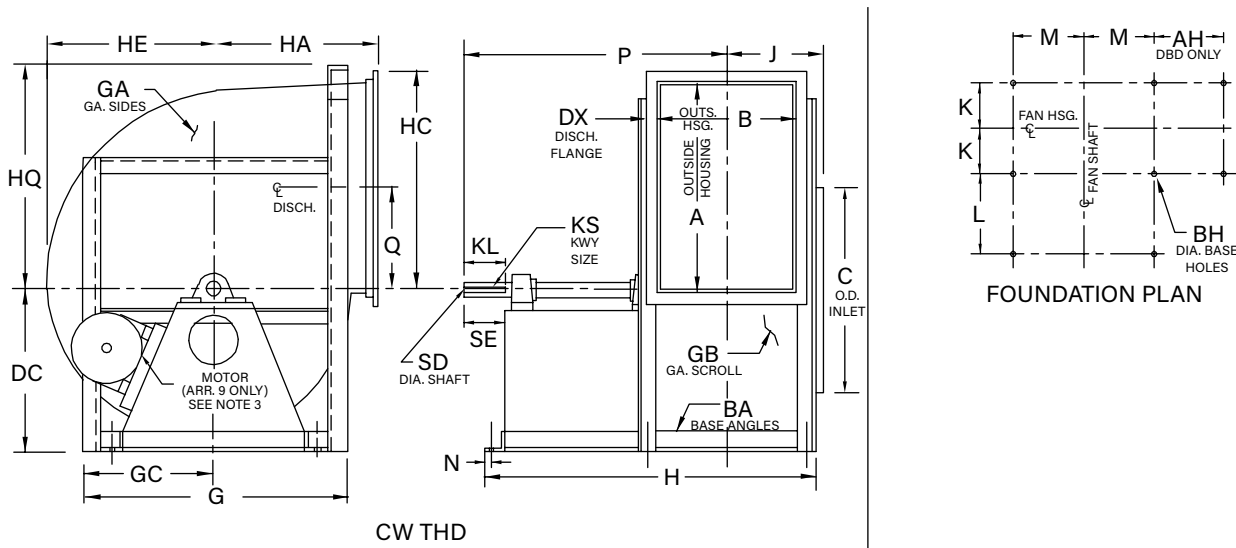
BC DWDI Class III & IV

FAN SIZE	HOUSING				SHAFT DIAMETER & BEARINGS						BARE FAN WEIGHT	
	CLASS III		CLASS IV		CLASS III			CLASS IV			ARR. 3	
	SIDES	SCROLL	SIDES	SCROLL	SHAFT DIAMETER @ BRG.	@ IMPELLER	BEARING TYPE	SHAFT DIAMETER @ BRG.	@ IMPELLER	BEARING TYPE	CLASS III	CLASS IV
122	CONSULT FACTORY		CONSULT FACTORY		CONSULT FACTORY			CONSULT FACTORY			CONSULT FACTORY	
135	CONSULT FACTORY		CONSULT FACTORY		CONSULT FACTORY			CONSULT FACTORY			CONSULT FACTORY	
150	CONSULT FACTORY		CONSULT FACTORY		CONSULT FACTORY			CONSULT FACTORY			CONSULT FACTORY	
165	CONSULT FACTORY		CONSULT FACTORY		CONSULT FACTORY			CONSULT FACTORY			CONSULT FACTORY	
182	10	10	7	7	2 ³ / ₁₆	2 ³ / ₁₆	R	2 ⁷ / ₁₆	2 ⁷ / ₁₆	R	464	516
200	10	10	7	7	2 ⁷ / ₁₆	2 ⁷ / ₁₆	R	2 ³ / ₁₆	2 ¹⁵ / ₁₆	SR	628	698
222	10	10	7	7	2 ⁷ / ₁₆	2 ⁷ / ₁₆	R	2 ⁷ / ₁₆	3 ⁷ / ₁₆	SR	801	892
245	7	7	7	7	2 ⁷ / ₁₆	2 ¹⁵ / ₁₆	R	2 ¹¹ / ₁₆	3 ¹⁵ / ₁₆	SR	884	982
270	7	7	7	7	2 ¹¹ / ₁₆	3 ⁷ / ₁₆	R	2 ¹⁵ / ₁₆	3 ¹⁵ / ₁₆	SR	1080	1200
300	7	7	7	7	2 ¹¹ / ₁₆	3 ⁷ / ₁₆	R	2 ¹⁵ / ₁₆	4 ⁷ / ₁₆	SR	1473	1637
330	7	7	0.25	0.25	2 ¹⁵ / ₁₆	3 ⁷ / ₁₆	R	3 ⁷ / ₁₆	4 ¹⁵ / ₁₆	SR	1626	1807
365	7	7	0.25	0.25	2 ¹⁵ / ₁₆	3 ¹⁵ / ₁₆	R	3 ⁷ / ₁₆	4 ¹⁵ / ₁₆	SR	2043	2271
402	7	7	0.25	0.25	3 ⁷ / ₁₆	3 ¹⁵ / ₁₆	R	3 ¹⁵ / ₁₆	5 ⁷ / ₁₆	SR	2554	2838
445	7	7	0.25	0.25	3 ⁷ / ₁₆	4 ⁷ / ₁₆	R	3 ¹⁵ / ₁₆	5 ⁷ / ₁₆	SR	3175	3528
490	7	7	0.25	0.25	3 ¹⁵ / ₁₆	4 ¹⁵ / ₁₆	R	4 ⁷ / ₁₆	5 ⁷ / ₁₆	SR	3472	3858
542	7	7	0.25	0.25	3 ¹⁵ / ₁₆	5 ⁷ / ₁₆	R	4 ⁷ / ₁₆	5 ¹⁵ / ₁₆	SR	4400	4890
600	7	7	0.25	0.25	4 ⁷ / ₁₆	5 ⁷ / ₁₆	SR	4 ¹⁵ / ₁₆	6 ⁷ / ₁₆	SR	6189	6877
660	7	7	0.25	0.25	4 ¹⁵ / ₁₆	5 ¹⁵ / ₁₆	SR	5 ⁷ / ₁₆	6 ⁷ / ₁₆	SR	8108	9010
730	7	7	0.25	0.25	4 ¹⁵ / ₁₆	6 ¹⁵ / ₁₆	SR	5 ¹⁵ / ₁₆	7 ¹ / ₂	SR	9333	10370
807	7	7	0.25	0.25	—	—	SR	—	—	SR	11597	12886
890	7	7	0.25	0.25	—	—	SR	—	—	SR	13922	15470
982	7	7	0.25	0.25	—	—	—	—	—	—	—	—

Bearing Types: B = Ball Bearing R = Unit Roller Bearings SR = Spherical Roller Bearings with Split Pillow Block Housings

SPECIFICATIONS SUBJECT TO CHANGE WITHOUT NOTICE.

Arrangement 1 & 9, SWSI, Non-Rotatable Class I & II



Notes:

1. Discharge angles are included on all discharges.
2. "CW" rotation is shown. "CCW" rotation is similar but opposite.
3. Standard Arr. 9 motor location is on the left for "CW" rotation units and on the right for "CCW" rotation. Dimension "FR" equals max. motor frame.
4. For fans with inlet box at 90 degrees or 270 degrees, use "BAU" discharge dimension "DF" for centerline height.

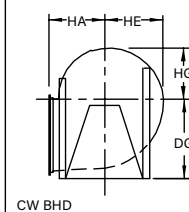
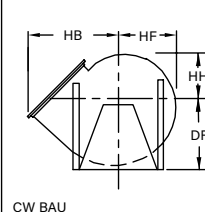
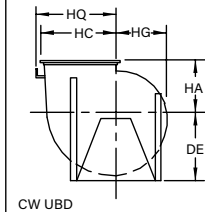
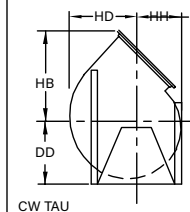
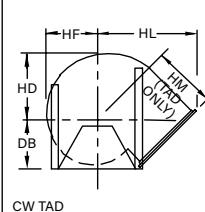
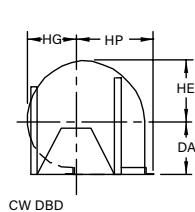
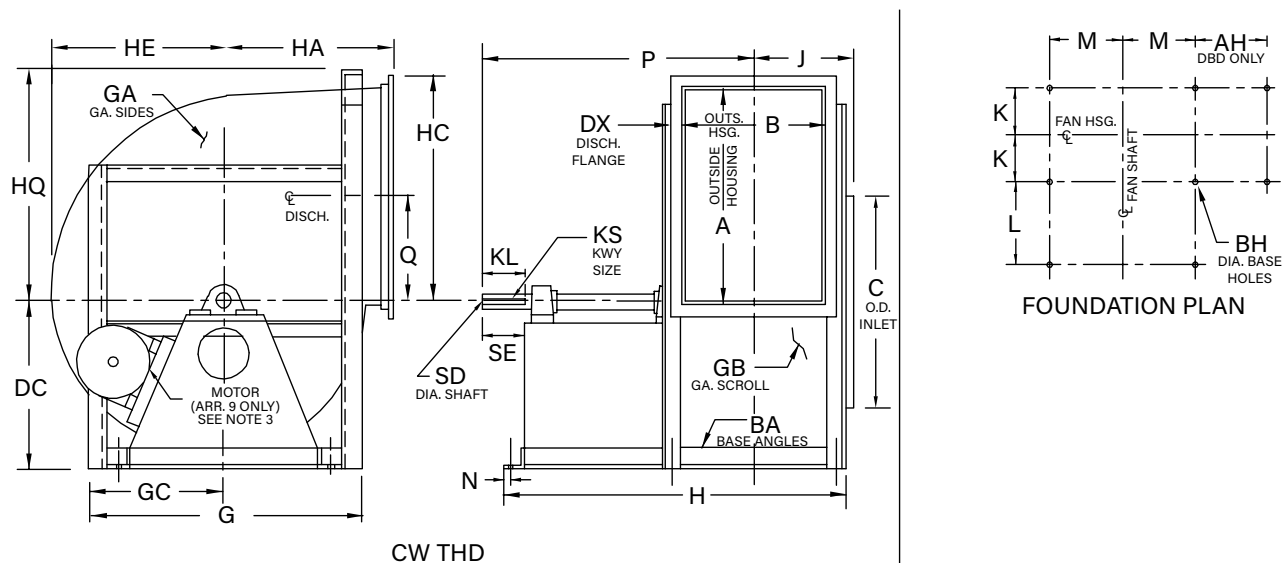
SIZE	A	AH	B	BA	BH	C	DA (Note 4)	DB (Note 4)	DC (Note 4)	DD (Note 4)	DE (Note 4)	DF	DG	DX	FR ARR. 9	G
300	31.81	17.25	23.81	2.5x2.5	0.56	31.63	26.75	26.75	26.75	26.75	28.50	30.00	35.50	1.50	286T	41.00
330	35.13	19.06	26.06	2.5x2.5	0.56	34.75	30.00	30.00	30.00	30.00	31.00	32.75	39.00	1.50	324T	44.00
365	38.69	21.13	28.88	2.5x2.5	0.56	38.50	29.00	30.50	29.50	31.50	33.50	35.50	41.00	1.50	324T	48.00
402	42.63	23.31	31.81	3.0x3.0	0.81	42.44	32.00	32.50	33.00	35.25	37.00	39.50	45.50	1.50	326T	52.50
445	47.13	25.81	35.19	3.0x3.0	0.81	46.88	35.38	36.25	35.50	38.50	40.00	43.25	50.00	1.50	364T	56.50
490	51.94	28.13	38.63	3.0x3.0	0.81	51.63	39.00	38.75	39.00	42.25	44.00	47.50	54.75	2.00	364T	61.50
542	57.38	31.81	42.88	3.0x4.0	0.81	57.13	43.06	42.25	43.50	46.50	49.00	52.25	60.25	2.00	404T	67.00
600	63.50	34.94	47.31	3.0x4.0	0.81	63.13	47.69	45.00	48.00	51.25	54.00	57.50	66.25	2.00	404T	73.00
660	69.69	39.13	52.19	3.5x5.0	0.81	69.38	52.44	49.50	52.50	55.75	59.00	63.00	73.25	2.50	405T	80.00
730	77.25	42.63	57.56	3.5x5.0	0.81	76.75	58.00	54.25	57.00	61.75	64.50	69.50	80.75	2.50	405T	88.00

SIZE	GA	GB	GC	H	HA	HB	HC	HD	HE	HF	HG	HH	HL	HM	HP	HQ
300	10	12	20.50	55.75	23.81	40.31	33.25	27.44	25.75	24.25	22.75	21.25	47.13	33.44	34.25	
330	10	12	22.00	60.63	26.25	44.44	36.56	30.13	28.38	26.69	25.00	23.31	51.00	35.56	37.56	
365	10	12	24.00	63.38	29.00	48.88	40.13	33.50	31.50	29.63	27.75	25.88	55.50	38.38	41.13	
402	10	12	26.25	67.88	32.00	53.81	44.06	37.00	34.69	32.63	30.56	28.50	60.50	41.56	45.56	
445	10	12	28.25	72.88	35.38	59.38	48.56	40.88	38.25	36.00	33.75	31.50	65.69	44.38	50.06	
490	10	12	30.75	76.63	39.00	65.69	53.88	44.88	42.19	39.69	37.19	34.69	72.31	48.44	54.88	
542	10	12	33.50	87.50	43.06	72.38	59.31	49.75	46.69	43.94	41.19	38.44	78.88	52.31	61.31	59.75
600	10	12	36.50	91.75	47.69	80.00	65.44	55.00	51.69	48.63	45.56	42.50	86.25	56.56	67.44	65.75
660	10	12	40.00	101.25	52.44	88.06	72.13	60.38	56.81	53.38	49.94	46.50	94.81	62.00	74.63	72.25
730	10	10	44.00	109.63	58.00	97.31	79.63	66.94	62.88	59.13	55.38	51.63	104.19	67.69	82.13	79.75

AC9238F

DIMENSIONS NOT TO BE USED FOR CONSTRUCTION. CERTIFIED DRAWINGS AVAILABLE UPON REQUEST.

Arrangement 1 & 9, SWSI, Non-Rotatable Class I & II (cont'd.)



Notes:

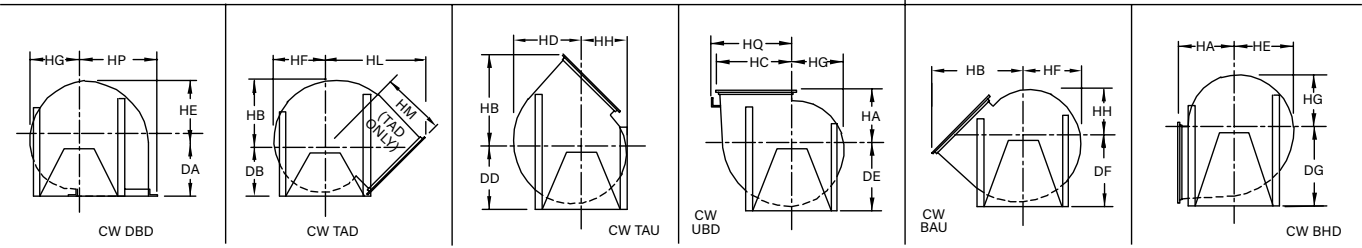
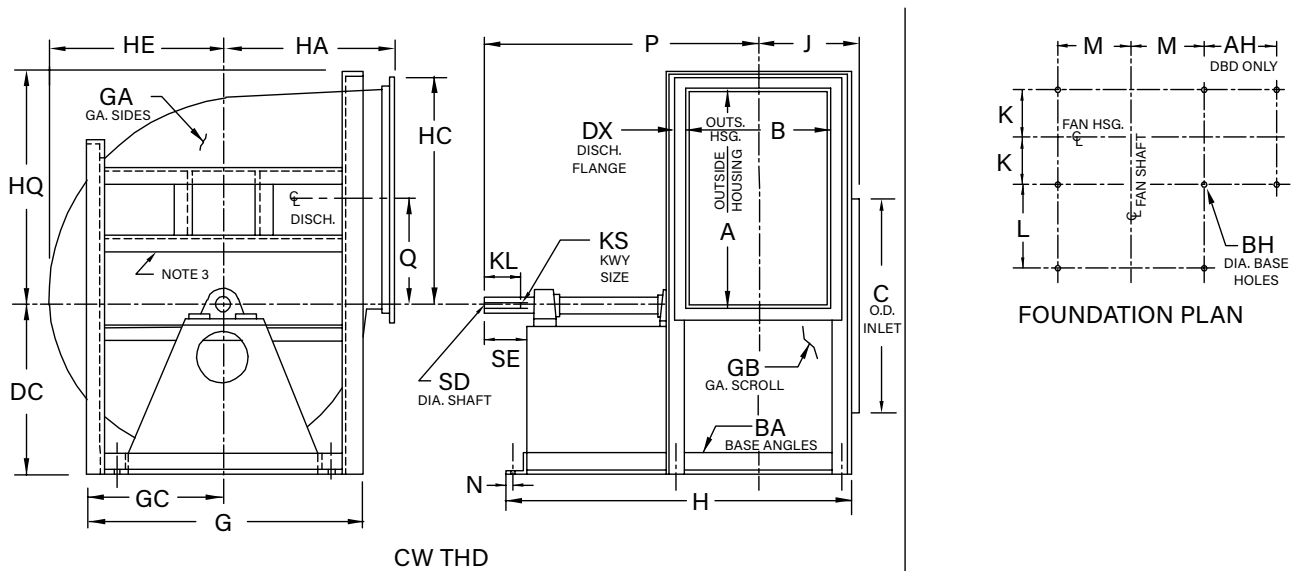
1. Discharge angles are included on all discharges.
2. "CW" rotation is shown. "CCW" rotation is similar but opposite.
3. Standard Arr. 9 motor location is on the left for "CW" rotation units and on the right for "CCW" rotation. Dimension "FR" equals max. motor frame.
4. For fans with inlet box at 90 degrees or 270 degrees, use "BAU" discharge dimension "DF" for centerline height.

SIZE	J	K	KL	KS		L	M	N	P	Q	SD		SE
				CL I	CL II						CL I	CL II	
300	15.50	13.31	5.00	0.50x0.25	0.50x0.25	26.88	15.88	1.13	44.56	15.81	1.937	1.937	5.75
330	16.63	14.44	5.00	0.50x0.25	0.50x0.25	29.50	17.38	1.13	48.31	17.50	1.937	2.187	5.75
365	18.00	15.81	5.00	0.50x0.25	0.63x0.31	29.50	18.88	1.13	49.69	19.25	1.937	2.437	5.75
402	20.00	17.56	5.00	0.50x0.25	0.63x0.31	30.00	20.88	1.38	51.69	21.25	2.187	2.437	5.75
445	21.69	19.25	5.50	0.63x0.31	0.63x0.31	31.63	22.88	1.38	55.50	23.50	2.437	2.687	6.25
490	23.38	20.94	5.50	0.63x0.31	0.75x0.38	32.00	25.38	1.38	57.56	25.88	2.687	2.937	6.25
542	26.50	23.56	6.00	0.75x0.38	0.88x0.44	36.63	27.63	1.88	64.81	28.63	2.937	3.437	6.75
600	28.75	25.81	6.00	0.75x0.38	0.88x0.44	36.38	30.63	1.88	66.81	31.69	2.937	3.437	6.75
660	32.19	28.75	7.00	0.88x0.44	1.0x0.50	39.00	33.13	2.38	72.88	34.75	3.437	3.937	7.75
730	34.94	31.44	7.50	0.88x0.44	1.0x0.50	42.00	37.13	2.38	79.06	38.50	3.437	3.937	8.25

AC9238F

DIMENSIONS NOT TO BE USED FOR CONSTRUCTION. CERTIFIED DRAWINGS AVAILABLE UPON REQUEST.

Arrangement 1, SWSI, Non-Rotatable Class I & II



Notes:

1. Discharge angles are included on all discharges.
2. "CW" rotation is shown. "CCW" rotation is similar but opposite.
3. Frame supports vary in construction by size and by discharge position.
4. For fans with inlet box at 90 degrees or 270 degrees, use "BAU" discharge dimension "DF" for centerline height.

SIZE	A	AH	B	BA	BH	C	DA (Note 4)	DB (Note 4)	DC (Note 4)	DD (Note 4)	DE (Note 4)	DF	DG	DX	G
807	85.44	47.06	63.63	3.50 x 5.00	0.81	84.88	64.19	59.50	63.00	67.50	72.00	76.50	89.00	2.50	95.50
890	94.13	50.25	70.13	3.50 x 5.00	0.81	93.38	70.00	65.50	69.25	73.75	78.25	85.00	97.75	2.50	106.50
982	104.00	53.75	77.50	4.00 x 6.00	0.81	103.50	77.75	71.50	76.50	80.00	86.50	92.00	108.25	2.50	122.00

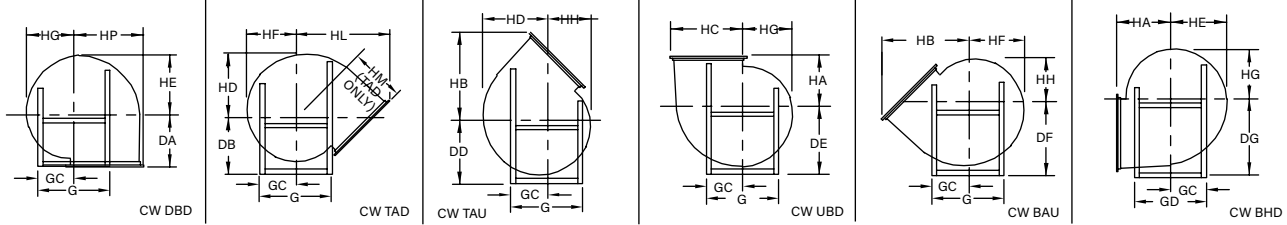
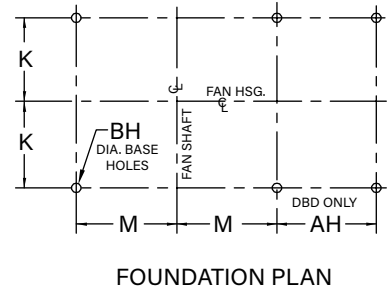
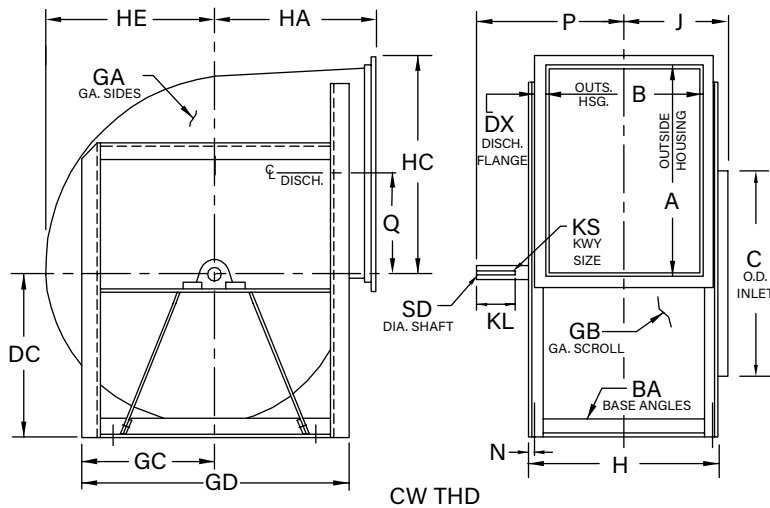
SIZE	GA	GB	GC	H	HA	HB	HC	HD	HE	HF	HG	HH	HL	HM	HP	HQ
807	10	10	47.75	118.63	64.19	107.50	87.81	74.00	69.50	65.38	61.25	57.13	113.69	73.00	90.31	87.75
890	7	10	53.25	128.13	70.00	117.75	96.50	81.56	76.63	72.06	67.50	62.94	125.38	80.75	99.00	96.50
982	7	7	61.00	140.63	77.75	130.13	106.31	90.06	84.63	79.56	74.50	69.44	140.06	91.75	109.75	106.75

SIZE	J	K	KL	KS		L	M	N	P	Q	SD		SE
				CL I	CL II						CL I	CL II	
807	37.81	34.44	8.00	1.00x0.50	1.00x0.50	45.00	40.88	2.38	85.81	42.63	3.937	4.437	9.00
890	41.06	37.69	8.00	1.00x0.50	1.25x0.63	48.00	46.38	2.38	92.06	46.94	3.937	4.937	9.00
982	45.75	41.88	8.00	1.25x0.63	1.25x0.63	51.13	53.13	2.88	98.88	51.81	4.937	5.437	9.00

AC9259H

DIMENSIONS NOT TO BE USED FOR CONSTRUCTION. CERTIFIED DRAWINGS AVAILABLE UPON REQUEST.

**Arrangement 3, SWSI, Non-Rotatable
Class I & II**



Notes:

1. Discharge angles are included on all discharges.
2. Inlet bearing bar support is removable.
3. "CW" rotation is shown. "CCW" rotation is similar but opposite.
4. Bearing bar supports may extend beyond base angles. See Dwg. AC1000851 for dimensions if space limitations are required for mounting fan.

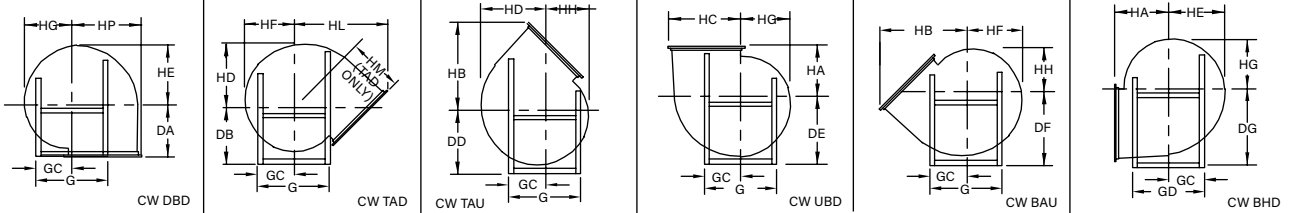
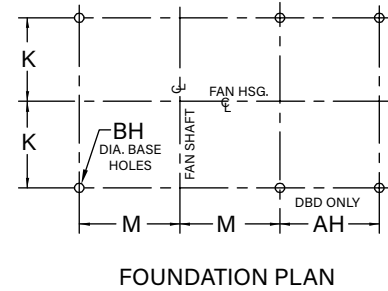
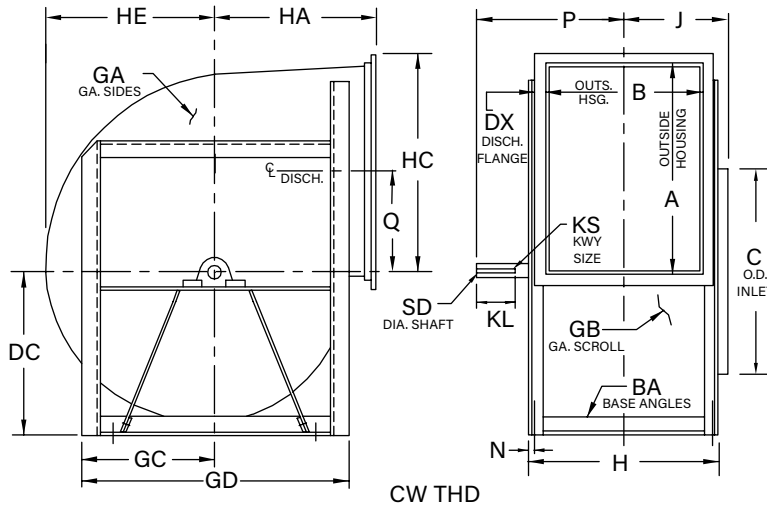
SIZE	A	AH	B	BA	BH	C	DA	DB	DC	DD	DE	DF	DG	DX	G
122	13.00	7.06	9.75	1.50 x 1.50	0.44	13.25	9.75	15.25	10.25	11.00	11.50	12.25	15.00	1.00	19.75
135	14.31	7.75	10.81	1.50 x 1.50	0.44	14.56	10.75	16.00	11.25	12.00	12.75	13.25	16.25	1.00	21.00
150	15.88	8.44	11.94	1.50 x 1.50	0.44	16.19	11.94	16.75	12.25	13.25	14.00	14.75	18.00	1.00	22.75
165	17.44	9.75	13.19	1.50 x 2.00	0.44	17.75	13.13	17.50	13.50	14.50	15.25	16.25	19.50	1.00	24.25
182	19.38	10.81	14.56	1.50 x 2.00	0.44	19.50	14.50	18.50	14.75	15.75	16.75	17.75	21.50	1.25	26.00
200	21.19	11.63	15.94	1.50 x 2.00	0.56	21.38	15.81	19.50	16.25	17.25	18.25	19.25	23.50	1.25	28.00
222	23.56	12.88	17.69	2.00 x 2.00	0.56	23.75	17.69	21.00	18.00	19.25	20.50	22.00	26.00	1.25	31.25
245	25.94	14.13	19.44	2.00 x 2.00	0.56	26.06	19.50	22.00	20.00	21.25	22.50	24.00	28.25	1.25	33.50
270	28.63	15.56	21.38	2.00 x 2.00	0.56	28.50	21.44	23.50	22.00	23.50	24.75	26.25	31.00	1.50	36.00

SIZE	GA	GB	GC	GD	H	HA	HB	HC	HD	HE	HF	HG	HH	HL	HM	HP
122	14	14	9.88	18.50	12.75	9.75	16.75	13.94	11.19	10.56	9.94	9.31	8.69	22.50	17.88	14.44
135	14	14	10.50	19.75	13.88	10.75	18.38	15.25	12.31	11.63	10.94	10.25	9.56	24.06	18.75	15.75
150	14	14	11.38	21.50	15.00	11.94	20.31	16.81	13.75	12.88	12.13	11.38	10.63	26.00	20.00	17.31
165	14	14	12.13	24.25	17.25	13.13	22.25	18.38	15.06	14.13	13.31	12.50	11.69	27.88	21.06	19.38
182	12	14	13.00	26.00	18.63	14.50	24.81	20.56	16.69	15.69	14.75	13.81	12.88	30.44	22.50	21.31
200	12	14	14.00	28.00	20.00	15.81	27.00	22.38	18.38	17.31	16.25	15.19	14.13	32.75	23.94	23.13
222	12	14	15.63	31.25	21.75	17.69	30.00	24.75	20.44	19.06	17.94	16.81	15.69	36.06	26.25	25.50
245	12	14	16.75	33.50	23.50	19.50	33.00	27.13	22.38	21.00	19.75	18.50	17.25	38.88	27.81	27.88
270	12	14	18.00	36.00	25.38	21.44	36.44	30.06	24.69	23.19	21.81	20.44	19.06	42.38	29.88	30.56

AC98341

DIMENSIONS NOT TO BE USED FOR CONSTRUCTION. CERTIFIED DRAWINGS AVAILABLE UPON REQUEST.

Arrangement 3, SWSI, Non-Rotatable Class I & II (cont'd.)



Notes:

1. Discharge angles are included on all discharges.
2. Inlet bearing bar support is removable.
3. "CW" rotation is shown. "CCW" rotation is similar but opposite.
4. Bearing bar supports may extend beyond base angles. See Dwg. AC1000851 for dimensions if space limitations are required for mounting fan.

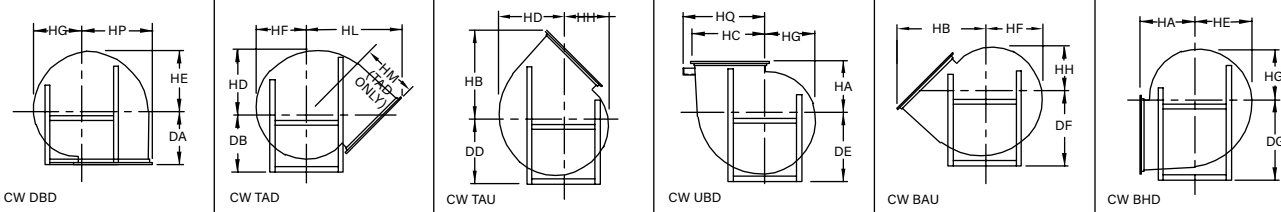
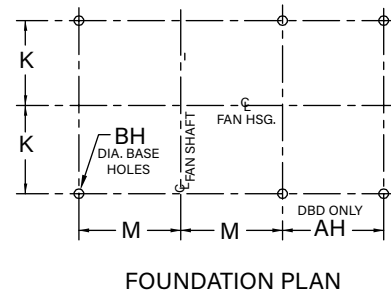
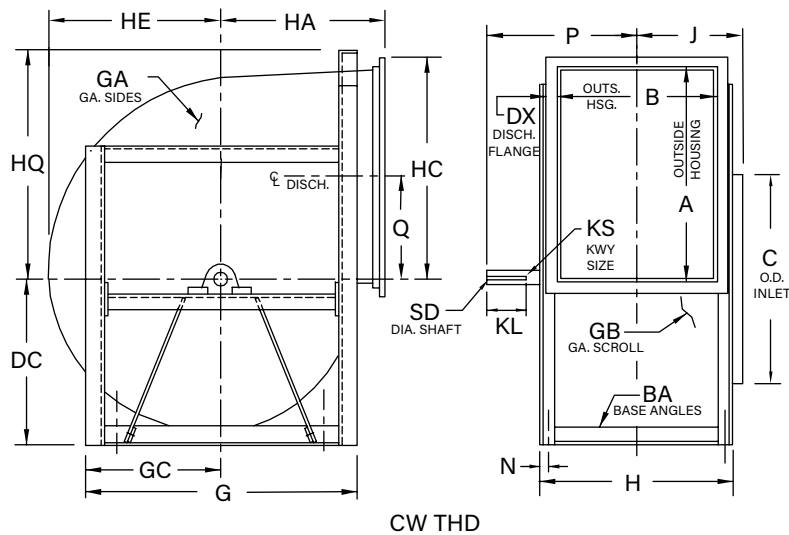
SIZE	J	K	KL	KS		M	N	P		Q	SD	
				CL I	CL II			CL I	CL II		CL I	CL II
122	7.44	5.75	2.50	0.25 x 0.13	0.25 x 0.13	6.75	0.63	10.00	10.00	6.44	1.000	1.000
135	8.00	6.31	2.50	0.25 x 0.13	0.25 x 0.13	7.38	0.63	10.56	10.56	7.13	1.000	1.000
150	9.06	6.88	3.00	0.25 x 0.13	0.25 x 0.13	8.25	0.63	11.63	12.00	7.88	1.000	1.187
165	9.69	7.75	3.00	0.25 x 0.13	0.25 x 0.13	8.75	0.88	12.25	12.63	8.69	1.000	1.187
182	10.88	8.44	3.50	0.25 x 0.13	0.38 x 0.19	9.63	0.88	13.81	14.63	9.63	1.187	1.437
200	11.56	9.13	3.50	0.38 x 0.19	0.38 x 0.19	10.63	0.88	15.31	15.31	10.56	1.437	1.437
222	12.44	10.00	4.00	0.38 x 0.19	0.38 x 0.19	11.75	0.88	16.69	16.69	11.75	1.437	1.437
245	13.31	10.88	4.50	0.38 x 0.19	0.38 x 0.19	12.88	0.88	18.06	18.44	12.94	1.437	1.687
270	14.25	11.81	4.50	0.38 x 0.19	0.38 x 0.19	14.13	0.88	19.00	19.38	14.25	1.437	1.687

AC9834J

DIMENSIONS NOT TO BE USED FOR CONSTRUCTION. CERTIFIED DRAWINGS AVAILABLE UPON REQUEST.



Arrangement 3, SWSI, Non-Rotatable Class I & II



Notes:

1. Discharge angles are included on all discharges.
2. Inlet bearing bar support is removable.
3. "CW" rotation is shown. "CCW" rotation is similar but opposite.
4. Frame supports vary in construction by size and by discharge position.
5. Bearing bar supports may extend beyond base angles. See Dwg. AC1000851 for dimensions if space limitations are required for mounting fan.

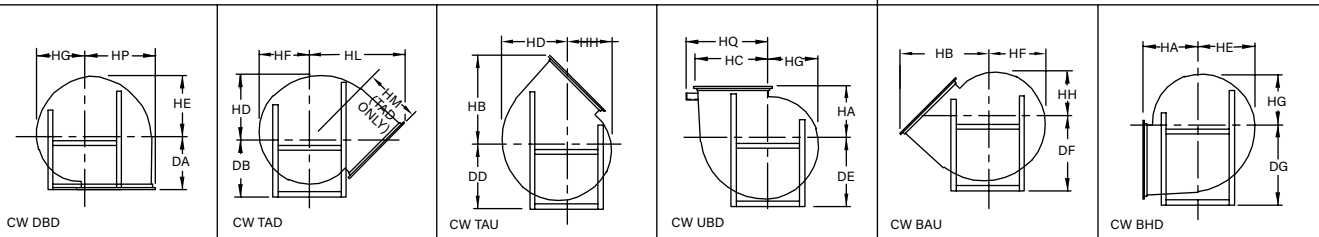
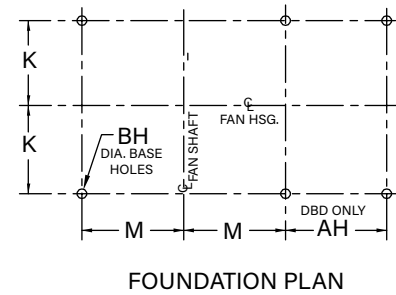
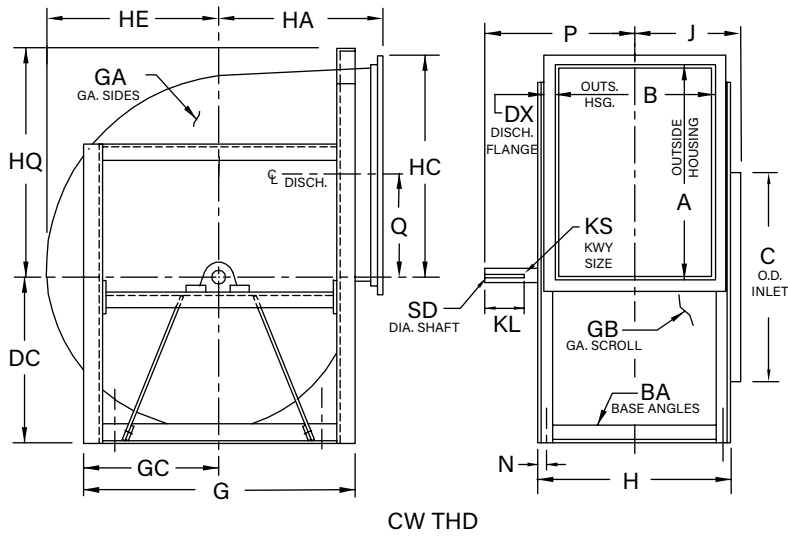
SIZE	A	AH	B	BA	BH	C	DA	DB	DC	DD	DE	DF	DG	DX	G
300	31.81	17.25	23.81	2.50 x 2.50	0.56	31.63	23.81	26.00	24.50	26.00	28.50	29.50	34.25	1.50	41.00
330	35.13	19.06	26.06	2.50 x 2.50	0.56	34.75	26.25	27.75	27.00	28.50	31.00	32.25	37.25	1.50	44.00
365	38.69	21.13	28.88	2.50 x 2.50	0.56	38.50	29.00	30.50	29.50	31.50	33.50	35.50	41.00	1.50	48.00
402	42.63	23.31	31.81	3.00 x 3.00	0.81	42.44	32.00	32.50	33.00	35.25	37.00	39.50	45.50	1.50	52.50
445	47.13	25.81	35.19	3.00 x 3.00	0.81	46.88	35.38	36.25	35.50	38.50	40.00	43.25	50.00	1.50	56.50
490	51.94	28.13	38.63	3.00 x 3.00	0.81	51.63	39.00	38.75	39.00	42.25	44.00	47.50	54.75	2.00	61.50
542	57.38	31.81	42.88	3.00 x 4.00	0.81	57.13	43.06	42.25	43.50	46.50	49.00	52.25	60.25	2.00	67.00
600	63.50	34.94	47.31	3.00 x 4.00	0.81	63.13	47.69	45.00	48.00	51.25	54.00	57.50	66.25	2.00	73.00
660	69.69	39.13	52.19	3.50 x 5.00	0.81	69.38	52.44	49.50	52.50	55.75	59.00	63.00	73.25	2.50	80.00
730	77.25	42.63	57.56	3.50 x 5.00	0.81	76.75	58.00	54.25	57.00	61.75	64.50	69.50	80.75	2.50	88.00

SIZE	GA	GB	GC	H	HA	HB	HC	HD	HE	HF	HG	HH	HL	HM	HP	HQ
300	10	12	20.50	28.88	23.81	40.31	33.25	27.44	25.75	24.25	22.75	21.25	47.13	33.44	34.25	-
330	10	12	22.00	31.13	26.25	44.44	36.56	30.13	28.38	26.69	25.00	23.31	51.00	35.56	37.56	-
365	10	12	24.00	33.88	29.00	48.88	40.13	33.50	31.50	29.63	27.75	25.88	55.50	38.38	41.13	-
402	10	12	26.25	37.88	32.00	53.81	44.06	37.00	34.69	32.63	30.56	28.50	60.50	41.56	45.56	-
445	10	12	28.25	41.25	35.38	59.38	48.56	40.88	38.25	36.00	33.75	31.50	65.59	44.38	50.06	-
490	10	12	30.75	44.63	39.00	65.69	53.88	44.88	42.19	39.69	37.19	34.69	72.31	48.44	54.88	-
542	10	12	33.50	50.88	43.06	72.38	59.31	49.75	46.69	43.94	41.19	38.44	78.88	52.31	61.31	59.75
600	10	12	36.50	55.38	47.69	80.00	65.44	55.00	51.69	48.63	45.56	42.50	86.25	56.56	67.44	65.75
660	10	12	40.00	62.25	52.44	88.06	72.13	60.38	56.81	53.38	49.94	46.50	94.81	62.00	74.63	72.25
730	10	10	44.00	67.63	58.00	97.31	79.63	66.94	62.88	59.13	55.38	51.63	104.19	67.69	82.13	79.75

AC9241G

DIMENSIONS NOT TO BE USED FOR CONSTRUCTION. CERTIFIED DRAWINGS AVAILABLE UPON REQUEST.

Arrangement 3, SWSI, Non-Rotatable Class I & II (cont'd.)



Notes:

1. Discharge angles are included on all discharges.
2. Inlet bearing bar support is removable.
3. "CW" rotation is shown. "CCW" rotation is similar but opposite.
4. Frame supports vary in construction by size and by discharge position.
5. Bearing bar supports may extend beyond base angles. See Dwg. AC1000851 for dimensions if space limitations are required for mounting fan.

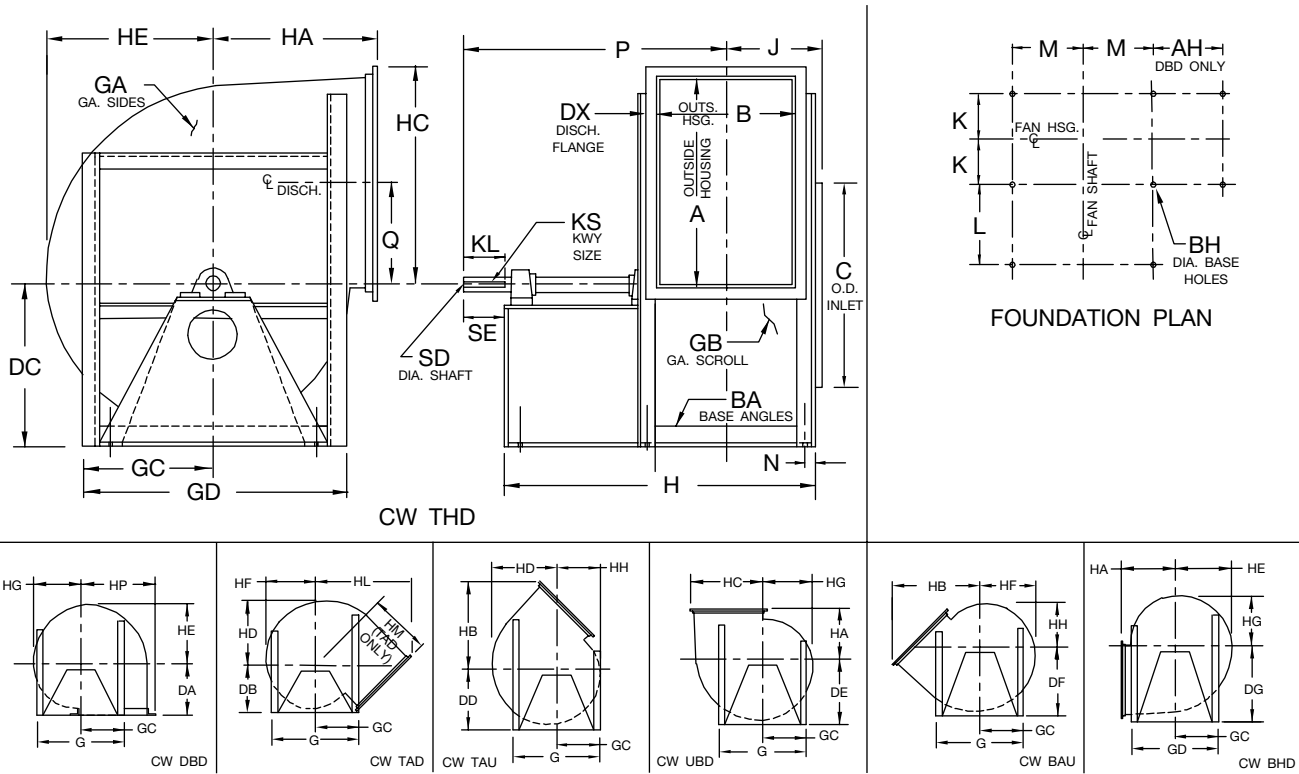
SIZE	J	K	KL	KS		M	N	P		Q	SD	
				CL I	CL II			CL I	CL II		CL I	CL II
300	16.00	13.31	5.00	0.38 x 0.19	0.50 x 0.25	15.88	1.13	21.13	21.25	15.81	1.687	1.937
330	17.13	14.44	5.00	0.38 x 0.19	0.50 x 0.25	17.38	1.13	22.25	22.88	17.50	1.687	2.187
365	19.06	15.81	5.00	0.50 x 0.25	0.63 x 0.31	18.88	1.13	23.75	24.63	19.25	1.937	2.437
402	20.50	17.56	5.00	0.50 x 0.25	0.63 x 0.31	20.88	1.38	25.25	26.13	21.25	1.937	2.437
445	22.69	19.25	5.50	0.50 x 0.25	0.63 x 0.31	22.88	1.38	27.44	29.19	23.50	1.937	2.687
490	24.44	20.94	5.50	0.50 x 0.25	0.63 x 0.31	25.38	1.38	30.25	30.88	25.88	2.187	2.687
542	26.56	23.56	6.00	0.63 x 0.31	0.75 x 0.38	27.63	1.88	33.38	33.75	28.63	2.437	2.937
600	29.75	25.81	6.00	0.75 x 0.38	0.88 x 0.44	30.63	1.88	35.50	36.88	31.69	2.937	3.437
660	32.19	28.75	7.00	0.75 x 0.38	1.00 x 0.50	33.13	2.38	39.88	40.81	34.75	2.937	3.937
730	34.88	31.44	7.50	0.88 x 0.44	1.00 x 0.50	37.13	2.38	43.50	44.00	38.50	3.437	3.937

AC9241G

DIMENSIONS NOT TO BE USED FOR CONSTRUCTION. CERTIFIED DRAWINGS AVAILABLE UPON REQUEST.



**Arrangement 1, SWSI, Non-Rotatable
Class III**



Notes:

1. Discharge angles are included on all discharges.
2. "CW" rotation is shown. "CCW" rotation is similar but opposite.
3. For fans size 182-330 (except TAD 182-200) with inlet box at 90 degrees or 270 degrees, use "BAU" discharge dimension "DF" for centerline height.

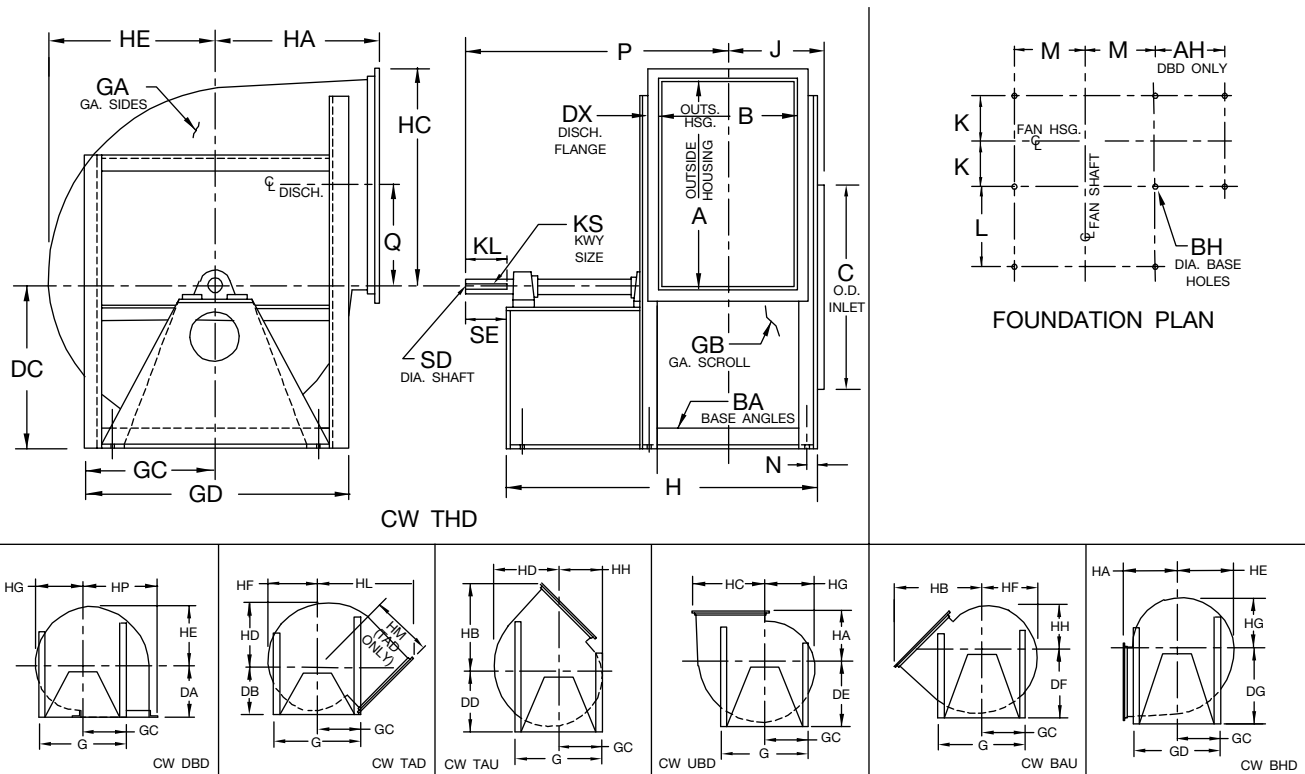
SIZE	A	AH	B	BA	BH	C	DA (Note 3)	DB (Note 3)	DC (Note 3)	DD (Note 3)	DE (Note 3)	DF	DG	DX	G
122	13.13	7.63	9.88	1.50 x 2.00	0.44	13.25	9.75	15.25	10.25	11.00	11.50	12.25	15.50	1.25	19.75
135	14.44	8.31	10.94	1.50 x 2.00	0.44	14.56	10.75	16.00	11.25	12.00	12.75	13.25	16.75	1.25	21.00
150	16.00	9.00	12.06	1.50 x 2.00	0.44	16.19	11.94	16.75	12.25	13.25	14.00	14.75	18.50	1.25	22.75
165	17.56	9.81	13.31	1.50 x 2.00	0.44	17.75	13.13	17.50	13.50	14.50	15.25	16.25	19.50	1.25	24.25
182	19.50	10.88	14.63	2.00 x 2.00	0.56	19.50	14.50	18.50	14.75	15.75	16.75	17.75	22.00	1.25	27.00
200	21.31	11.69	16.00	2.00 x 2.00	0.56	21.38	15.81	19.50	16.25	17.25	18.25	19.25	24.00	1.25	29.00
222	23.69	13.44	17.75	2.50 x 2.50	0.56	23.75	17.69	21.00	18.00	19.25	20.50	22.00	26.50	1.25	32.25
245	26.19	14.63	19.63	2.50 x 2.50	0.56	26.06	19.50	22.00	20.00	21.25	22.50	24.00	28.75	1.50	34.50
270	28.88	16.19	21.56	2.50 x 2.50	0.56	28.50	21.44	23.50	22.00	23.50	24.75	26.25	31.50	1.50	37.00
300	32.00	17.81	23.94	3.00 x 3.00	0.81	31.63	23.81	26.00	24.50	26.00	27.50	29.50	34.75	1.50	42.00
330	35.31	19.63	26.19	3.00 x 3.00	0.81	34.75	26.25	27.75	27.00	28.50	30.00	32.25	37.75	1.50	45.00

SIZE	GA	GB	GC	GD	H	HA	HB	HC	HD	HE	HF	HG	HH	HL	HM	HP
122	10	10	9.88	18.63	22.38	9.75	17.00	14.25	11.25	10.63	10.00	9.38	8.75	22.94	18.19	15.00
135	10	10	10.50	19.88	24.00	10.75	18.63	15.56	12.38	11.69	11.00	10.31	9.63	24.50	19.06	16.31
150	10	10	11.38	21.63	26.63	11.94	20.56	17.13	13.81	12.94	12.19	11.44	10.69	26.50	20.31	17.88
165	10	10	12.13	23.13	27.88	13.13	22.50	18.69	15.13	14.19	13.38	12.56	11.75	28.31	21.38	19.44
182	10	10	13.50	27.00	30.13	14.50	24.81	20.63	16.75	15.75	14.81	13.88	12.94	31.06	23.31	21.38
200	10	10	14.50	29.00	32.50	15.81	27.06	22.44	18.38	17.38	16.31	15.25	14.19	33.31	24.69	23.19
222	10	10	16.13	32.25	37.25	17.69	30.06	24.81	20.50	19.13	18.00	16.88	15.75	36.69	27.06	26.06
245	7	7	17.25	34.50	40.63	19.50	33.25	27.50	22.50	21.13	19.88	18.63	17.38	38.88	27.50	28.50
270	7	7	18.50	37.00	44.63	21.44	36.50	30.19	24.81	23.31	21.94	20.56	19.19	42.06	29.25	31.19
300	7	7	21.00	42.00	49.50	23.81	40.38	33.31	27.50	25.81	24.31	22.81	21.13	46.75	32.81	34.81
330	7	7	22.50	45.00	53.75	26.25	44.44	36.63	30.19	28.44	26.75	25.06	23.38	50.63	34.94	38.13

AC9244G

DIMENSIONS NOT TO BE USED FOR CONSTRUCTION. CERTIFIED DRAWINGS AVAILABLE UPON REQUEST.

Arrangement 1, SWSI, Non-Rotatable Class III (cont'd.)



Notes:

1. Discharge angles are included on all discharges.
2. "CW" rotation is shown. "CCW" rotation is similar but opposite.
3. For fans size 182-330 (except TAD 182-200) with inlet box at 90 degrees or 270 degrees, use "BAU" discharge dimension "DF" for centerline height.

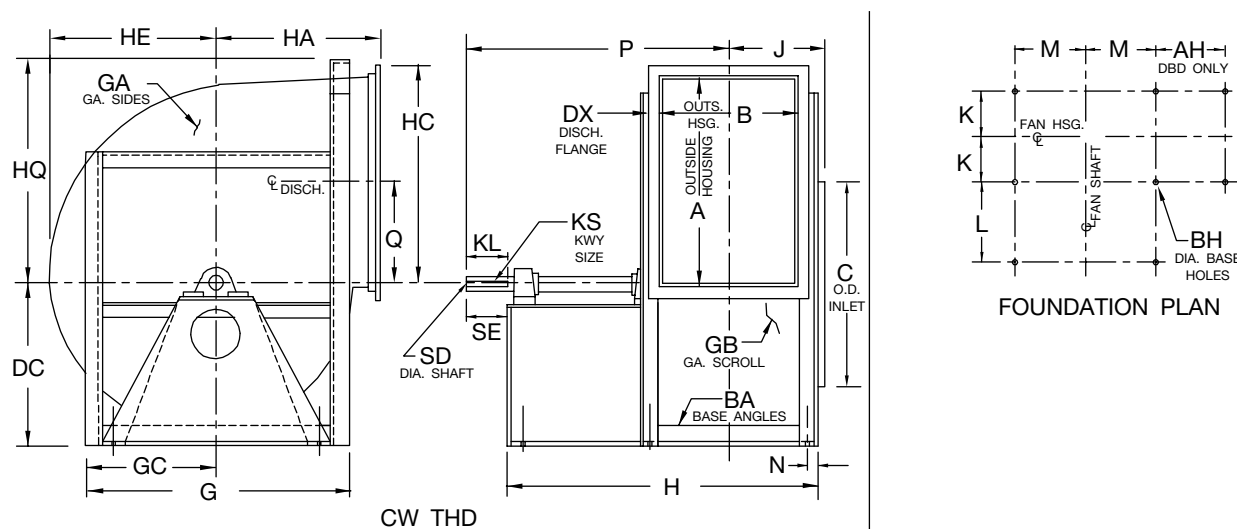
SIZE	J	K	KL	KS	L	M	N	P	Q	SD	SE
122	7.94	6.06	3.00	0.38 x 0.19	7.50	6.50	0.88	18.94	6.44	1.437	3.50
135	8.50	6.63	3.00	0.38 x 0.19	8.00	7.13	0.88	20.00	7.13	1.437	3.50
150	9.06	7.19	3.50	0.38 x 0.19	9.50	8.00	0.88	22.56	7.88	1.687	4.00
165	9.69	7.81	3.50	0.38 x 0.19	9.50	8.75	0.88	23.19	8.69	1.687	4.00
182	10.31	8.44	4.50	0.38 x 0.19	10.50	9.63	0.88	25.81	9.63	1.687	5.00
200	11.00	9.13	4.50	0.50 x 0.25	11.50	10.63	0.88	27.50	10.56	1.937	5.00
222	12.38	10.25	5.00	0.50 x 0.25	13.75	11.50	1.13	31.38	11.75	1.937	5.50
245	13.31	11.19	6.00	0.50 x 0.25	15.25	12.63	1.13	34.81	12.94	2.187	6.50
270	14.31	12.19	6.00	0.50 x 0.25	17.25	13.88	1.13	37.81	14.25	2.187	6.50
300	16.00	13.63	7.00	0.63 x 0.31	19.00	15.63	1.38	42.25	15.81	2.437	7.75
330	17.13	14.75	7.00	0.63 x 0.31	21.00	17.13	1.38	45.38	17.50	2.687	7.75

AC9244G

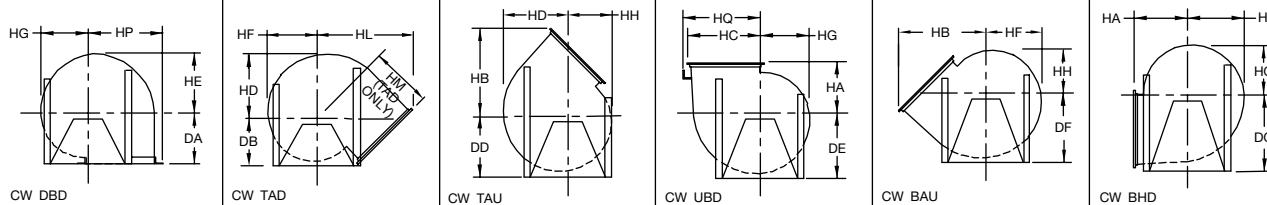
DIMENSIONS NOT TO BE USED FOR CONSTRUCTION. CERTIFIED DRAWINGS AVAILABLE UPON REQUEST.



Arrangement 1, SWSI, Non-Rotatable Class III



FOUNDATION PLAN



Notes:

1. Discharge angles are included on all discharges.
2. "CW" rotation is shown. "CCW" rotation is similar but opposite.
3. For fans with inlet box at 90 degrees or 270 degrees, use "BAU" discharge dimension "DF" for centerline height.

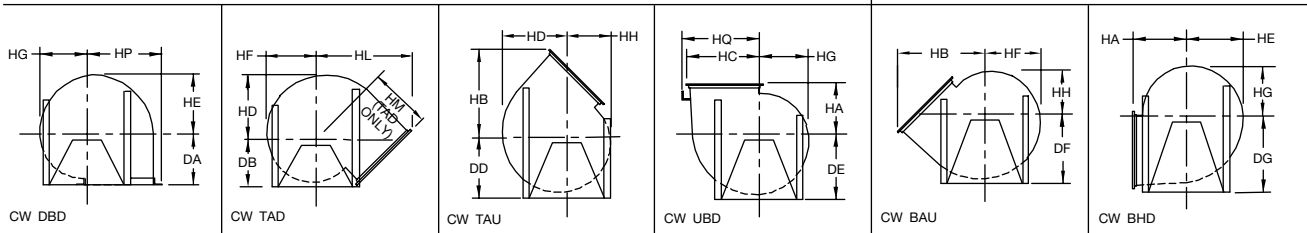
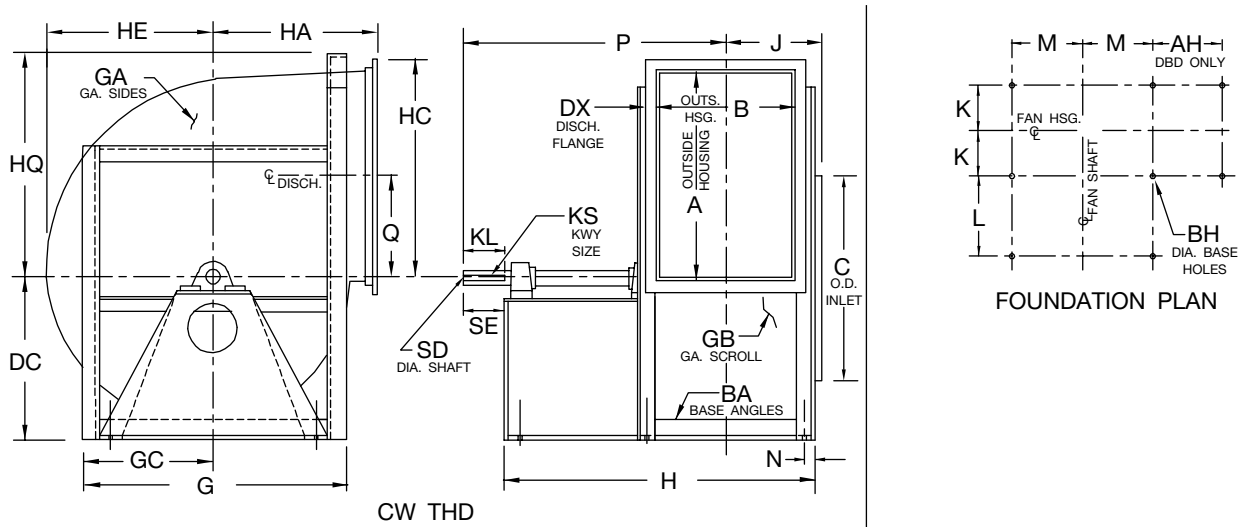
SIZE	A	AH	B	BA	BH	C	DA (Note 3)	DB (Note 3)	DC (Note 3)	DD (Note 3)	DE (Note 3)	DF	DG	DX
365	38.88	21.69	29.00	3.00 x 3.00	0.81	38.50	29.00	29.25	29.50	31.50	33.50	35.50	41.50	1.50 x 1.50
402	42.81	24.38	31.94	3.00 x 4.00	0.81	42.44	32.00	31.75	33.00	35.25	37.00	39.50	45.50	2.00 x 2.00
445	47.31	26.88	35.31	3.00 x 4.00	0.81	46.88	35.38	36.25	35.50	38.50	40.00	43.25	50.00	2.00 x 2.00
490	52.13	29.19	38.75	3.00 x 4.00	0.81	51.63	39.00	38.75	39.00	42.25	44.00	47.50	54.75	2.00 x 2.00
542	57.56	32.88	43.00	3.50 x 5.00	0.81	57.13	43.06	42.25	43.50	46.50	49.00	52.25	60.75	2.50 x 2.50
600	63.69	36.00	47.44	3.50 x 5.00	0.81	63.13	47.69	45.00	48.00	51.25	54.00	57.50	66.75	2.50 x 2.50
660	69.88	40.19	52.31	4.00 x 6.00	0.81	69.38	52.44	49.50	52.50	55.75	59.00	63.00	73.75	2.50 x 2.50
730	77.38	43.69	57.69	4.00 x 6.00	0.81	76.75	58.00	54.25	57.00	61.75	64.50	69.50	81.25	2.50 x 2.50
807	85.56	48.13	63.75	4.00 x 6.00	0.81	84.88	64.19	59.50	63.00	67.50	72.00	76.50	89.50	2.50 x 2.50
890	94.25	51.31	70.13	4.00 x 6.00	0.81	93.38	70.00	65.50	69.25	73.75	78.25	85.00	98.25	2.50 x 2.50

SIZE	G	GA	GB	GC	H	HA	HB	HC	HD	HE	HF	HG	HH	HL	HM	HP
365	49.00	7	7	24.50	58.00	29.00	48.94	40.19	33.63	31.56	29.69	27.81	25.94	55.13	37.75	41.69
402	52.50	7	7	26.25	64.00	32.00	54.19	44.63	37.06	34.75	32.69	30.63	28.56	60.38	40.75	46.63
445	56.50	7	7	28.25	70.38	35.38	59.75	49.13	41.00	38.31	36.06	33.81	31.56	66.56	44.94	51.13
490	61.50	7	7	30.75	75.75	39.00	65.69	53.94	44.94	42.25	39.75	37.25	34.75	72.44	48.50	55.94
542	67.00	7	7	33.50	82.00	43.06	72.81	59.88	49.88	46.75	44.00	41.25	38.50	79.75	52.88	62.38
600	74.00	7	7	37.00	89.50	47.69	80.38	66.00	55.06	51.75	48.69	45.63	42.56	87.56	57.81	68.50
660	80.00	7	7	40.00	98.38	52.44	88.13	72.19	60.50	56.88	53.44	50.00	46.56	94.94	62.06	75.69
730	88.00	7	7	44.00	106.75	58.00	97.38	79.69	67.00	62.94	59.19	55.44	51.69	104.25	67.75	83.19
807	96.50	7	7	48.25	115.75	64.19	107.50	87.88	74.13	69.56	65.44	61.31	57.19	114.31	73.75	91.38
890	107.50	7	7	53.75	125.13	70.00	117.75	96.56	81.63	76.69	72.13	67.56	63.00	125.94	81.50	100.06

AC9245F

DIMENSIONS NOT TO BE USED FOR CONSTRUCTION. CERTIFIED DRAWINGS AVAILABLE UPON REQUEST.

Arrangement 1, SWSI, Non-Rotatable Class III (cont'd.)



Notes:

1. Discharge angles are included on all discharges.
2. "CW" rotation is shown. "CCW" rotation is similar but opposite.
3. For fans with inlet box at 90 degrees or 270 degrees, use "BAU" discharge dimension "DF" for centerline height.

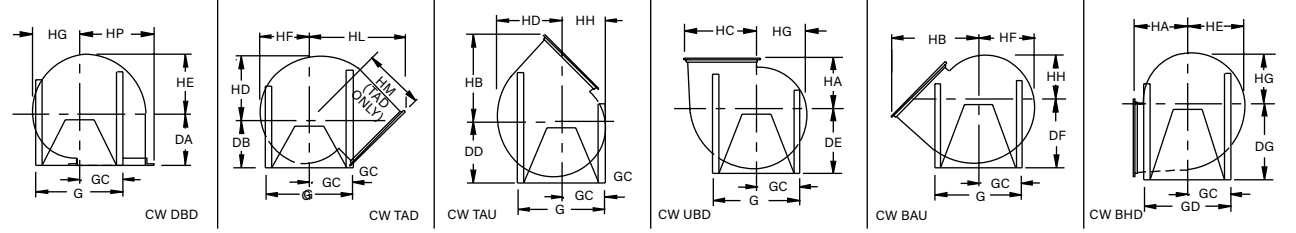
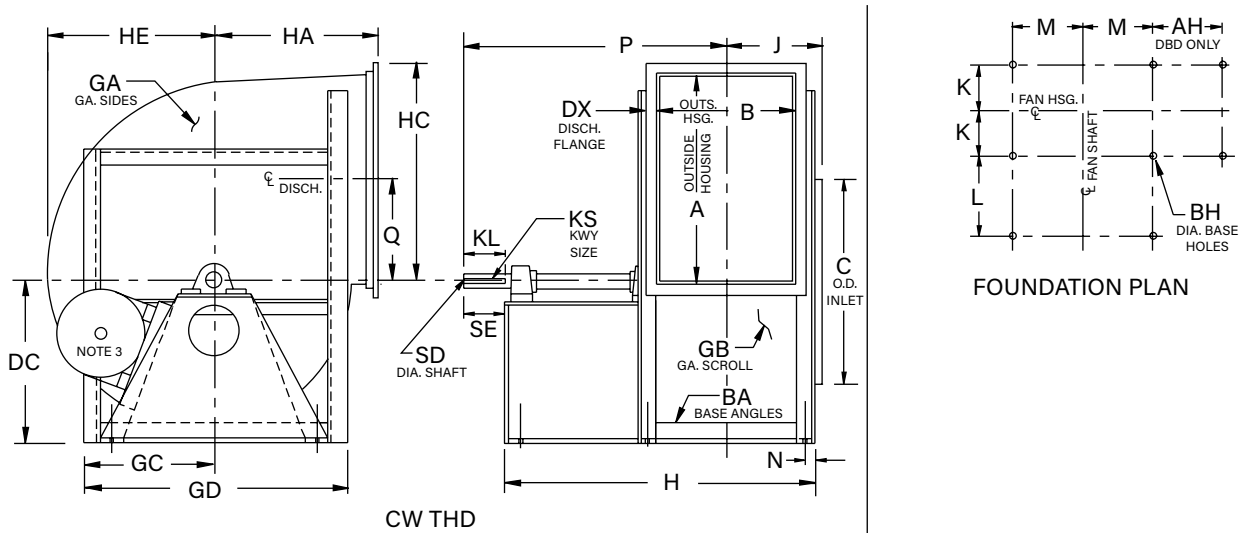
SIZE	HQ	J	K	KL	KS	L	M	N	P	Q	SD	SE
365	-	18.50	16.13	7.00	0.63 x 0.31	22.50	18.63	1.38	48.25	19.25	2.687	7.75
402	-	21.00	18.13	8.00	0.75 x 0.38	24.00	20.38	1.88	52.75	21.25	2.937	8.75
445	-	22.69	19.81	8.00	0.88 x 0.44	27.00	22.38	1.88	57.69	23.50	3.437	9.00
490	-	24.38	21.50	9.00	0.88 x 0.44	29.00	24.88	1.88	62.38	25.88	3.437	10.00
542	59.75	27.50	24.13	9.00	1.00 x 0.50	29.50	27.13	2.38	65.50	28.63	3.937	10.00
600	66.25	29.75	26.38	9.50	1.00 x 0.50	32.50	30.13	2.38	71.25	31.69	4.437	10.50
660	72.38	33.19	29.31	10.00	1.00 x 0.50	35.00	32.63	2.88	77.19	34.75	4.437	11.00
730	79.75	35.88	32.00	10.50	1.25 x 0.63	38.00	36.63	2.88	83.38	38.50	4.937	11.50
807	88.38	38.88	35.00	10.50	1.25 x 0.63	41.00	40.63	2.88	89.38	42.63	4.937	11.50
890	97.00	42.06	38.19	11.00	1.25 x 0.63	44.00	45.88	2.88	96.06	46.94	5.437	12.00

AC9245F

DIMENSIONS NOT TO BE USED FOR CONSTRUCTION. CERTIFIED DRAWINGS AVAILABLE UPON REQUEST.



Arrangement 9, SWSI, Non-Rotatable Class III



- Notes:**
- Discharge angles are included on all discharges.
 - "CW" rotation is shown. "CCW" rotation is similar but opposite.
 - Standard Arr. 9 motor location is on the left for "CW" rotation units and on the right for "CCW" rotation. Dimension "FR" equals max. motor frame.

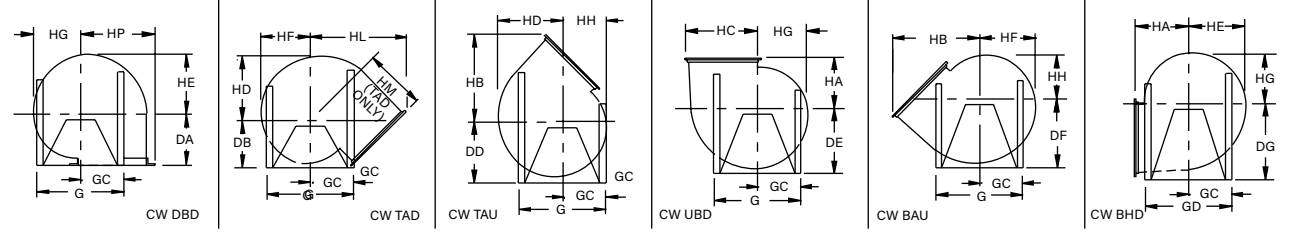
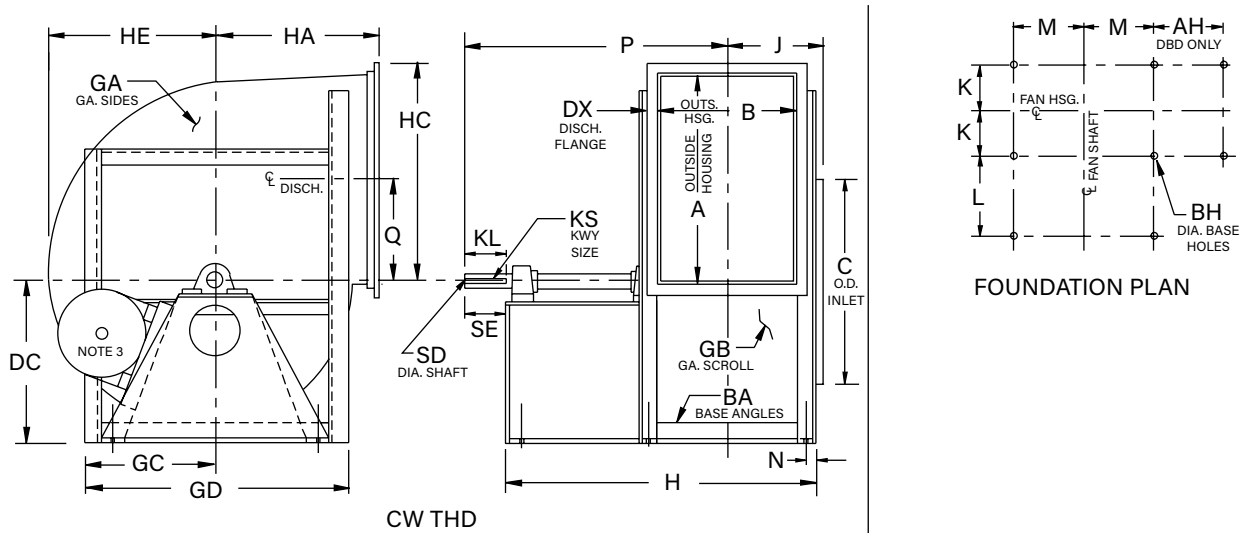
SIZE	A	AH	B	BA	BH	C	DA (Note 3)	DB (Note 3)	DC (Note 3)	DD (Note 3)	DE (Note 3)	DF	DG	DX	FR
122	13.13	7.63	9.88	1.50 x 2.00	0.44	13.25	20.75	20.75	20.75	20.75	20.75	20.75	20.75	1.25	215T
135	14.44	8.31	10.94	1.50 x 2.00	0.44	14.56	23.50	23.50	23.50	23.50	23.50	23.50	23.50	1.25	256T
150	16.00	9.00	12.06	1.50 x 2.00	0.44	16.19	23.75	23.75	23.75	23.75	23.75	23.75	23.75	1.25	256T
165	17.56	9.81	13.31	1.50 x 2.00	0.44	17.75	23.75	23.75	23.75	23.75	23.75	23.75	23.75	1.25	256T
182	19.50	10.88	14.63	2.00 x 2.00	0.56	19.50	26.25	26.25	26.25	26.25	26.25	26.25	26.25	1.25	286T
200	21.31	11.69	16.00	2.00 x 2.00	0.56	21.38	29.50	29.50	29.50	29.50	29.50	29.50	29.50	1.25	326T
222	23.69	13.44	17.75	2.50 x 2.50	0.56	23.75	30.00	30.00	30.00	30.00	30.00	30.00	30.00	1.25	326T
245	26.19	14.63	19.63	2.50 x 2.50	0.56	26.06	30.25	30.25	30.25	30.25	30.25	30.25	30.25	1.50	326T
270	28.88	16.19	21.56	2.50 x 2.50	0.56	28.50	33.00	33.00	33.00	33.00	33.00	33.00	33.00	1.50	365T
300	32.00	17.81	23.94	3.00 x 3.00	0.81	31.63	33.50	33.50	33.50	33.50	33.50	33.50	34.75	1.50	365T
330	35.31	19.63	26.19	3.00 x 3.00	0.81	34.75	34.00	34.00	34.00	34.00	34.00	34.00	37.75	1.50	365T

SIZE	G	GA	GB	GC	GD	H	HA	HB	HC	HD	HE	HF	HG	HH	HL	HM
122	19.75	10	10	9.88	18.63	32.25	9.75	17.00	14.25	11.25	10.63	10.00	9.38	8.75	22.94	18.19
135	21.00	10	10	10.50	19.88	38.75	10.75	18.63	15.56	12.38	11.69	11.00	10.31	9.63	24.50	19.06
150	22.75	10	10	11.38	21.63	39.88	11.94	20.56	17.13	13.81	12.94	12.19	11.44	10.69	26.50	20.31
165	24.25	10	10	12.13	23.13	41.13	13.13	22.50	18.69	15.13	14.19	13.38	12.56	11.75	28.31	21.38
182	27.00	10	10	13.50	27.00	44.63	14.50	24.81	20.63	16.75	15.75	14.81	13.88	12.94	31.06	23.31
200	29.00	10	10	14.50	29.00	47.50	15.81	27.06	22.44	18.38	17.38	16.31	15.25	14.19	33.31	24.69
222	32.25	10	10	16.13	32.25	50.25	17.69	30.06	24.81	20.50	19.13	18.00	16.88	15.75	36.69	27.06
245	34.50	7	7	17.25	34.50	52.13	19.50	33.25	27.50	22.50	21.13	19.88	18.63	17.38	38.88	27.50
270	37.00	7	7	18.50	37.00	55.25	21.44	36.50	30.19	24.81	23.31	21.94	20.56	19.19	42.06	29.25
300	42.00	7	7	21.00	42.00	58.63	23.81	40.38	33.31	27.50	25.81	24.31	22.81	21.13	46.75	32.81
330	45.00	7	7	22.50	45.00	60.88	26.25	44.44	36.63	30.19	28.44	26.75	25.06	23.38	50.63	34.94

AC9128G

DIMENSIONS NOT TO BE USED FOR CONSTRUCTION. CERTIFIED DRAWINGS AVAILABLE UPON REQUEST.

Arrangement 9, SWSI, Non-Rotatable Class III (cont'd.)



Notes:

1. Discharge angles are included on all discharges.
2. "CW" rotation is shown. "CCW" rotation is similar but opposite.
3. Standard Arr. 9 motor location is on the left for "CW" rotation units and on the right for "CCW" rotation. Dimension "FR" equals max. motor frame.

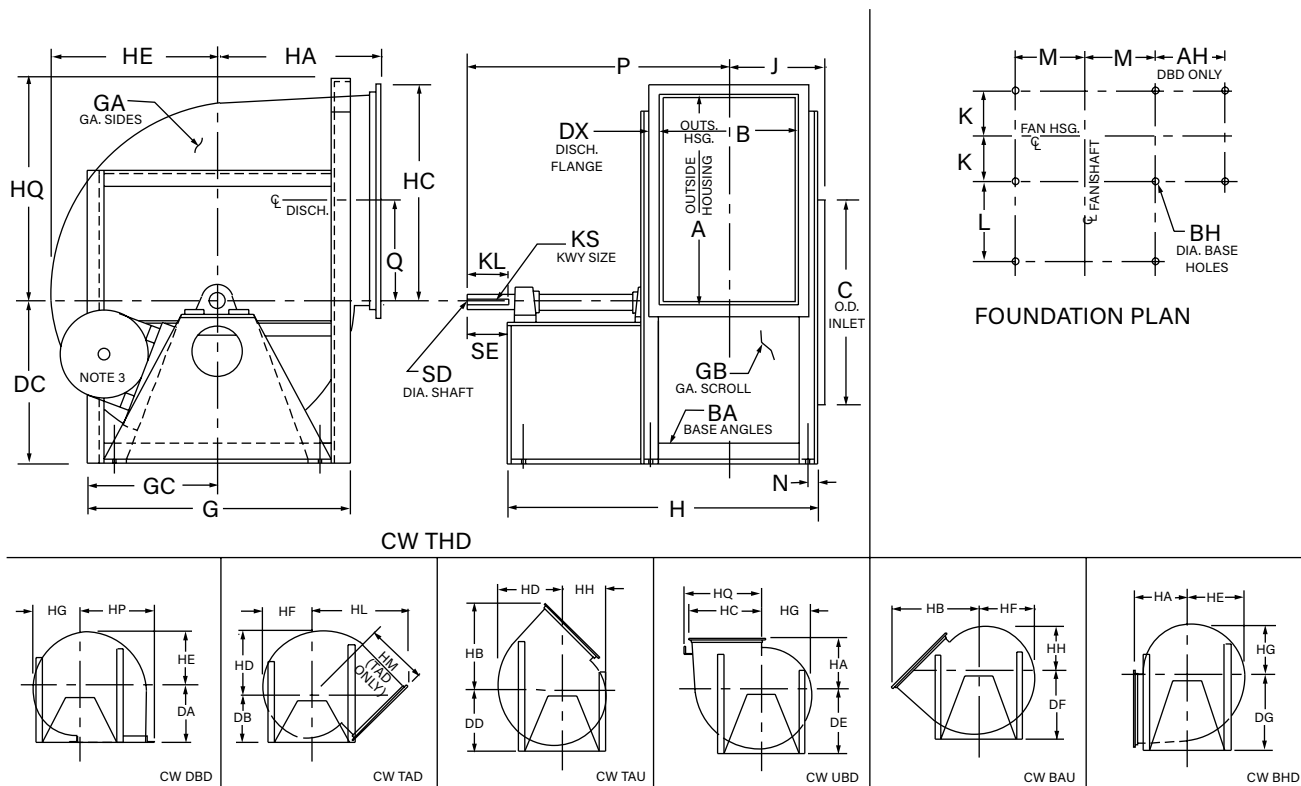
SIZE	HP	J	K	KL	KS	L	M	N	P	Q	SD	SE
122	15.00	7.94	6.06	3.50	0.38 x 0.19	17.38	6.50	0.88	29.31	6.44	1.4375	4.00
135	16.31	8.50	6.63	4.25	0.38 x 0.19	22.75	7.13	0.88	36.00	7.13	1.4375	4.75
150	17.88	9.06	7.19	4.25	0.38 x 0.19	22.75	8.00	0.88	36.56	7.88	1.6875	4.75
165	19.44	9.69	7.81	4.25	0.38 x 0.19	22.75	8.75	0.88	37.19	8.69	1.6875	4.75
182	21.38	10.31	8.44	5.00	0.38 x 0.19	25.00	9.63	0.88	40.81	9.63	1.6875	5.50
200	23.19	11.00	9.13	6.00	0.50 x 0.25	26.50	10.63	0.88	44.25	10.56	1.9375	6.75
222	26.06	12.38	10.25	6.00	0.50 x 0.25	26.75	11.50	1.13	45.63	11.75	1.9375	6.75
245	28.50	13.31	11.19	6.00	0.50 x 0.25	26.75	12.63	1.13	46.56	12.94	2.1875	6.75
270	31.19	14.31	12.19	7.00	0.50 x 0.25	27.88	13.88	1.13	49.69	14.25	2.1875	7.75
300	34.81	16.00	13.63	6.75	0.63 x 0.31	28.13	15.63	1.38	51.38	15.81	2.4375	7.75
330	38.13	17.13	14.75	6.75	0.63 x 0.31	28.13	17.13	1.38	52.50	17.50	2.6875	7.75

AC9128G

DIMENSIONS NOT TO BE USED FOR CONSTRUCTION. CERTIFIED DRAWINGS AVAILABLE UPON REQUEST.



Arrangement 9, SWSI, Non-Rotatable Class III



Notes:

1. Discharge angles are included on all discharges.
2. "CW" rotation is shown. "CCW" rotation is similar but opposite.
3. Standard Arr. 9 motor location is on the left for "CW rotation units and on the right for "CCW" rotation. Dimension "FR" equals max. motor frame.

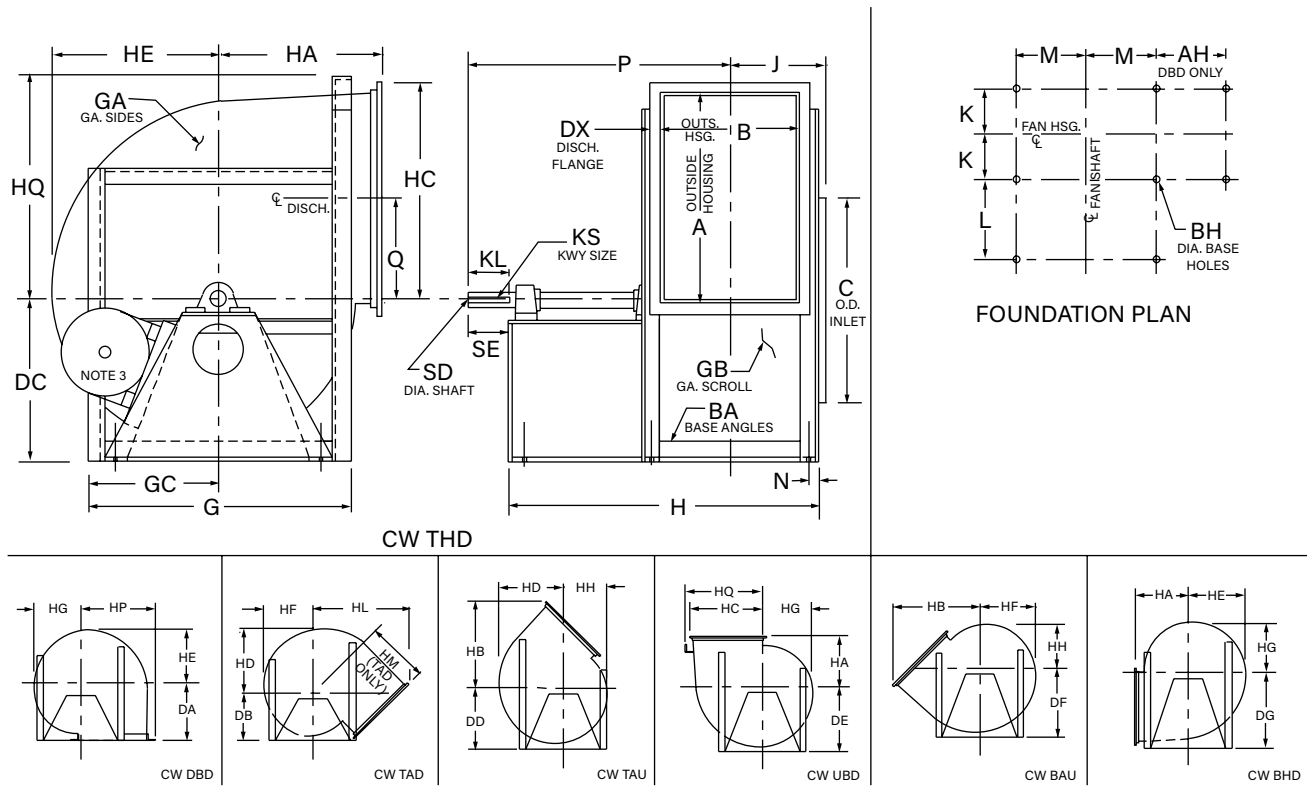
SIZE	A	AH	B	BA	BH	C	DA (Note 3)	DB (Note 3)	DC (Note 3)	DD (Note 3)	DE (Note 3)	DF	DG	DX	FR
365	38.88	21.69	29.00	3.00 x 3.00	0.81	38.50	37.50	37.50	37.50	37.50	37.50	37.50	41.50	1.50	405T
402	42.81	24.38	31.94	3.00 x 4.00	0.81	42.44	40.25	40.25	40.25	40.25	40.25	40.25	45.50	2.00	405T
445	47.31	26.88	35.31	3.00 x 4.00	0.81	46.88	41.00	41.00	41.00	41.00	41.00	43.25	50.00	2.00	405T
490	52.13	29.19	38.75	3.00 x 4.00	0.81	51.63	41.00	41.00	41.00	42.25	44.00	47.50	54.75	2.00	405T
542	57.56	32.88	43.00	3.50 x 5.00	0.81	57.13	43.06	42.25	43.50	46.50	49.00	52.25	60.75	2.50	405T
600	63.69	36.00	47.44	3.50 x 5.00	0.81	63.13	47.69	45.00	48.00	51.25	54.00	57.50	66.75	2.50	405T
660	69.88	40.19	52.31	4.00 x 6.00	0.81	69.38	52.44	49.50	52.50	55.75	59.00	63.00	73.75	2.50	405T
730	77.38	43.69	57.69	4.00 x 6.00	0.81	76.75	58.00	54.25	57.00	61.75	64.50	69.50	81.25	2.50	405T
807	85.56	48.13	63.75	4.00 x 6.00	0.81	84.88	64.19	59.50	63.00	67.50	72.00	76.50	89.50	2.50	405T
890	94.25	51.31	70.13	4.00 x 6.00	0.81	93.38	70.00	65.50	69.25	73.75	78.25	85.00	98.25	2.50	405T

SIZE	G	GA	GB	GC	H	HA	HB	HC	HD	HE	HF	HG	HH	HL	HM	HP
365	49.00	7	7	24.50	70.38	29.00	48.94	40.19	33.63	31.56	29.69	27.81	25.94	55.13	37.75	41.69
402	52.50	7	7	26.25	81.13	32.00	54.19	44.63	37.06	34.75	32.69	30.63	28.56	60.38	40.75	46.63
445	56.50	7	7	28.25	84.50	35.38	59.75	49.13	41.00	38.31	36.06	33.81	31.56	66.56	44.94	51.13
490	61.50	7	7	30.75	87.88	39.00	65.69	53.94	44.94	42.25	39.75	37.25	34.75	72.44	48.50	55.94
542	67.00	7	7	33.50	93.75	43.06	72.81	59.88	49.88	46.75	44.00	41.25	38.50	79.75	52.88	62.38
600	74.00	7	7	37.00	98.25	47.69	80.38	66.00	55.06	51.75	48.69	45.63	42.56	87.56	57.81	68.50
660	80.00	7	7	40.00	105.13	52.44	88.13	72.19	60.50	56.88	53.44	50.00	46.56	94.94	62.06	75.69
730	88.00	7	7	44.00	110.50	58.00	97.38	79.69	67.00	62.94	59.19	55.44	51.69	104.25	67.75	83.19
807	96.50	7	7	48.25	116.50	64.19	107.50	87.88	74.13	69.56	65.44	61.31	57.19	114.31	73.75	91.38
890	107.50	7	7	53.75	122.88	70.00	117.75	96.56	81.63	76.69	72.13	67.56	63.00	125.94	81.50	100.06

AC9129E

DIMENSIONS NOT TO BE USED FOR CONSTRUCTION. CERTIFIED DRAWINGS AVAILABLE UPON REQUEST.

Arrangement 9, SWSI, Non-Rotatable Class III (cont'd.)



Notes:

1. Discharge angles are included on all discharges.
2. "CW" rotation is shown. "CCW" rotation is similar but opposite.
3. Standard Arr. 9 motor location is on the left for "CW" rotation units and on the right for "CCW" rotation. Dimension "FR" equals max. motor frame.

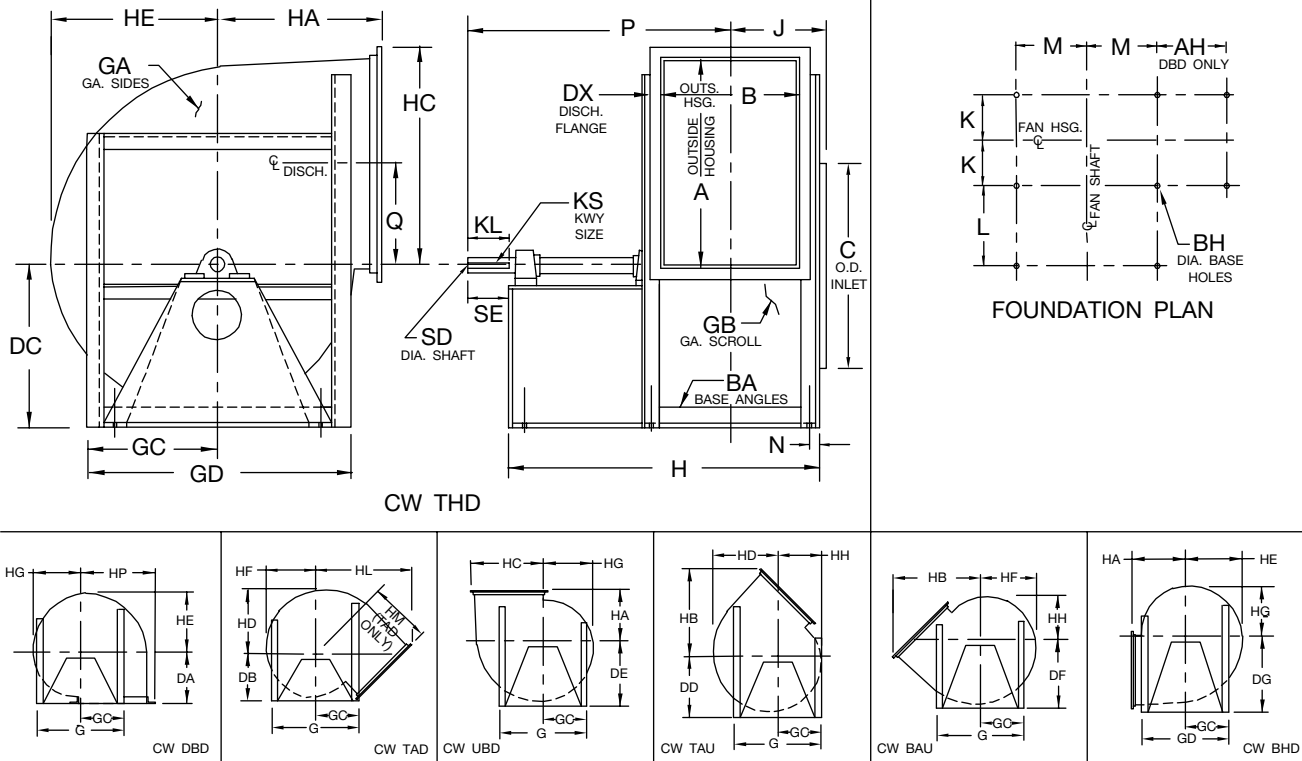
SIZE	HQ	J	K	KL	KS	L	M	N	P	Q	SD	SE
365		18.50	16.13	8.00	0.63 x 0.31	34.88	18.63	1.38	61.88	19.25	2.687	9.00
402		21.00	18.13	8.75	0.75 x 0.38	41.13	20.38	1.88	71.13	21.25	2.937	10.00
445		22.69	19.81	8.75	0.88 x 0.44	41.13	22.38	1.88	72.81	23.50	3.437	10.00
490		24.38	21.50	8.75	0.88 x 0.44	41.13	24.88	1.88	74.50	25.88	3.437	10.00
542	59.75	27.50	24.13	9.00	1.00 x 0.50	41.25	27.13	2.38	77.75	28.63	3.937	10.50
600	66.25	29.75	26.38	9.00	1.00 x 0.50	41.25	30.13	2.38	80.00	31.69	4.437	10.50
660	72.38	33.19	29.31	9.00	1.00 x 0.50	41.75	32.63	2.88	83.44	34.75	4.437	10.50
730	79.75	35.88	32.00	9.00	1.25 x 0.63	41.75	36.63	2.88	86.13	38.50	4.937	10.50
807	88.38	38.88	35.00	9.00	1.25 x 0.63	41.75	40.38	2.88	89.13	42.63	4.937	10.50
890	97.00	42.06	38.19	9.00	1.25 x 0.63	41.75	45.88	2.88	92.31	46.94	5.437	10.50

AC9129E

DIMENSIONS NOT TO BE USED FOR CONSTRUCTION. CERTIFIED DRAWINGS AVAILABLE UPON REQUEST.



Arrangement 1, SWSI, Non-Rotatable Class IV



Notes:

1. Discharge angles are included on all discharges.
2. "CW" rotation is shown. "CCW" rotation is similar but opposite.
3. For fans size 122-330 with inlet box at 90 degrees or 270 degrees, use "BAU" discharge dimension "DF" for centerline height.

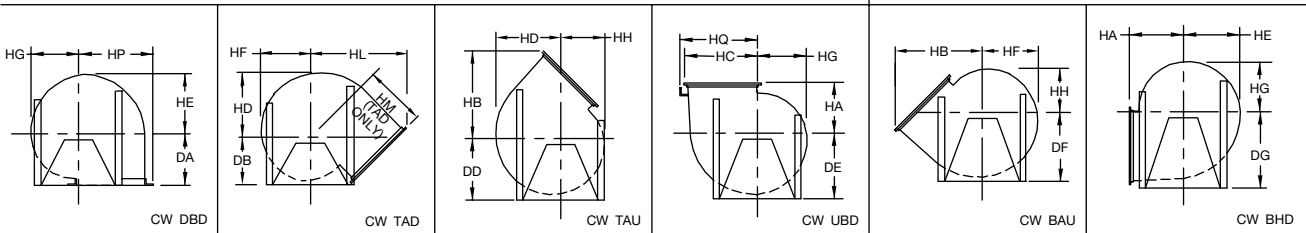
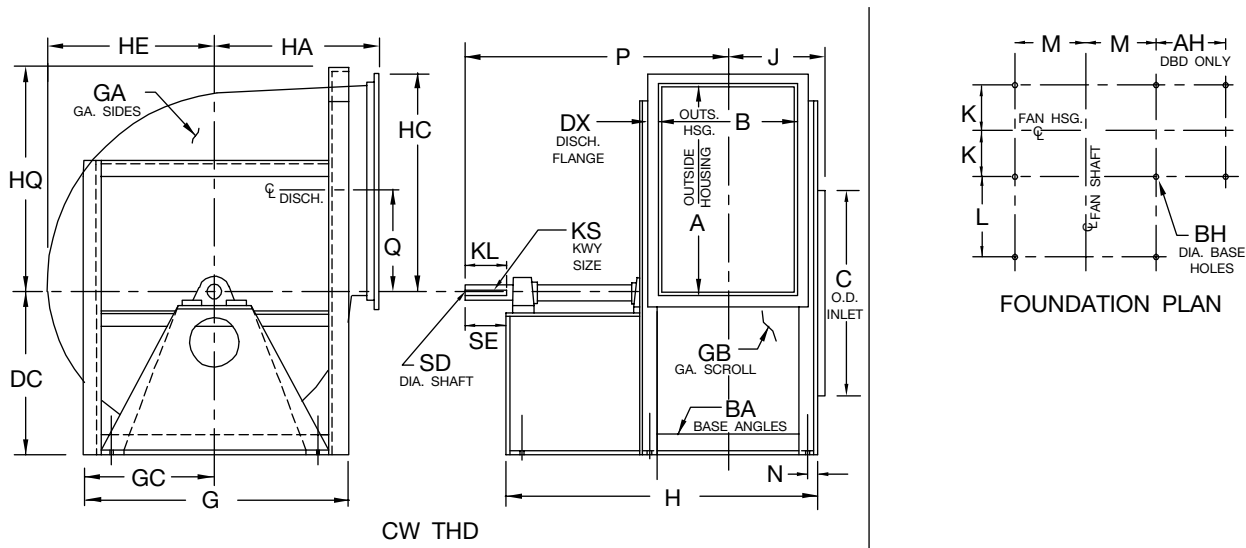
SIZE	A	AH	B	BA	BH	C	DA (Note 3)	DB (Note 3)	DC (Note 3)	DD (Note 3)	DE (Note 3)	DF	DG	DX	G
122	13.25	8.19	10.00	2.50 x 2.50	0.44	13.25	9.75	15.25	10.25	11.00	11.50	12.25	15.50	1.25	19.75
135	14.56	8.88	11.06	2.50 x 2.50	0.44	14.56	10.75	16.00	11.25	12.00	12.75	13.25	16.75	1.25	21.00
150	16.13	9.56	12.19	2.50 x 2.50	0.44	16.19	11.94	16.75	12.25	13.25	14.00	14.75	18.50	1.25	22.75
165	17.69	10.38	13.44	2.50 x 2.50	0.44	17.75	13.13	17.50	13.50	14.50	15.25	16.25	19.50	1.25	24.25
182	19.63	11.94	14.75	3.00 x 3.00	0.56	19.50	14.50	18.50	14.75	15.75	16.75	17.75	22.00	1.50	28.00
200	21.44	12.75	16.13	3.00 x 3.00	0.56	21.38	15.81	19.50	16.25	17.25	18.25	19.25	24.00	1.50	30.00
222	23.81	14.00	17.88	3.00 x 3.00	0.56	23.75	17.69	21.00	18.00	19.25	20.50	22.00	26.50	2.00	32.25
245	26.19	15.25	19.63	3.00 x 3.00	0.56	26.06	19.50	22.00	20.00	21.25	22.50	24.00	28.75	2.00	34.50
270	28.88	16.69	21.56	3.00 x 3.00	0.56	28.50	21.44	23.50	22.00	23.50	24.75	26.25	31.50	2.00	38.00
300	32.00	18.81	23.94	3.00 x 4.00	0.81	31.63	23.81	26.00	24.50	26.00	27.50	29.50	34.75	2.00	42.00
330	35.44	20.69	26.31	3.00 x 4.00	0.81	34.75	26.25	27.75	27.00	28.50	30.00	32.25	37.75	2.00	45.00

SIZE	GA	GB	GC	GD	H	HA	HB	HC	HD	HE	HF	HG	HH	HL	HM	HP
122	7	7	9.88	18.75	23.50	9.75	17.00	14.31	11.31	10.69	10.06	9.44	8.81	23.00	18.25	15.56
135	7	7	10.50	20.00	25.13	10.75	18.63	15.63	12.44	11.75	11.06	10.38	9.69	24.56	19.13	16.88
150	7	7	11.38	21.75	27.75	11.94	20.63	17.19	13.88	13.00	12.25	11.50	10.75	26.56	20.38	18.44
165	7	7	12.13	23.25	29.00	13.13	22.56	18.75	15.19	14.25	13.44	12.63	11.81	28.38	21.44	20.00
182	7	7	14.00	26.00	32.25	14.50	25.06	20.94	16.81	15.81	14.88	13.94	13.00	31.50	23.63	22.44
200	7	7	15.00	28.00	34.63	15.81	27.25	22.75	18.44	17.44	16.38	15.31	14.25	33.25	24.31	24.25
222	7	7	16.13	32.25	38.38	17.69	30.63	25.63	20.56	19.19	18.06	16.94	15.81	37.44	27.31	26.63
245	7	7	17.25	34.50	41.63	19.50	33.56	28.00	22.50	21.13	19.88	18.63	17.38	39.63	28.00	29.00
270	7	7	19.00	38.00	45.63	21.44	36.88	30.69	24.81	23.31	21.94	20.56	19.19	43.25	30.50	31.69
300	7	7	21.00	42.00	51.50	23.81	40.75	33.81	27.50	25.81	24.31	22.81	21.31	47.50	33.31	35.81
330	0.25	0.25	22.50	45.00	55.88	26.25	44.88	37.19	30.25	28.50	26.81	25.13	23.44	51.38	35.50	39.19

AC9249J

DIMENSIONS NOT TO BE USED FOR CONSTRUCTION. CERTIFIED DRAWINGS AVAILABLE UPON REQUEST.

Arrangement 1, SWSI, Non-Rotatable Class IV



Notes:

1. Discharge angles are included on all discharges.
2. "CW" rotation is shown. "CCW" rotation is similar but opposite.
3. For fans with inlet box at 90 degrees or 270 degrees, use "BAU" discharge dimension "DF" for centerline height.

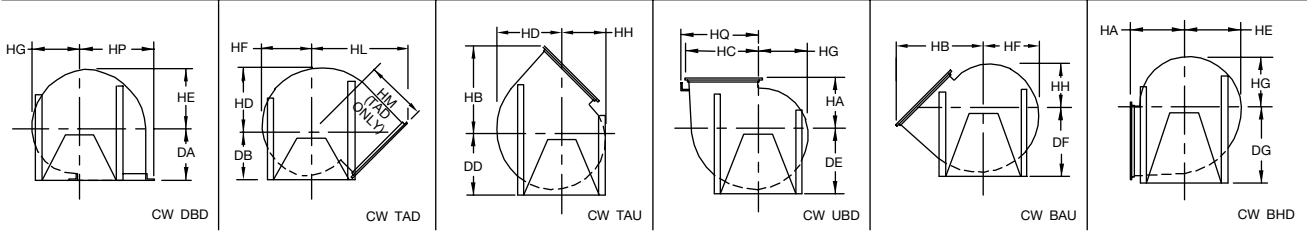
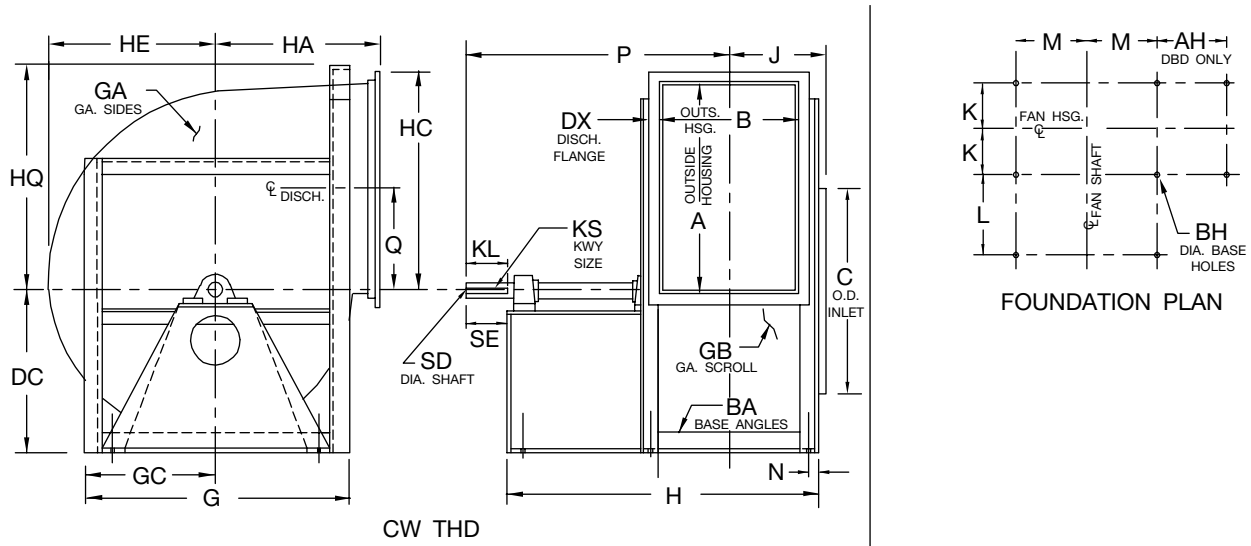
SIZE	A	AH	B	BA	BH	C	DA (Note 3)	DB (Note 3)	DC (Note 3)	DD (Note 3)	DE (Note 3)	DF	DG	DX	G
365	39.00	22.25	29.13	3.00 x 4.00	0.81	38.50	29.00	29.25	29.50	31.50	33.50	35.50	41.50	2.00	49.00
402	42.94	25.44	32.06	3.50 x 5.00	0.81	42.44	32.00	31.75	33.00	35.25	37.00	39.50	46.00	2.00	52.50
445	47.44	28.94	35.44	4.00 x 6.00	0.81	46.88	35.38	36.25	35.50	38.50	40.00	43.25	50.50	2.00	57.50
490	52.25	31.25	38.88	4.00 x 6.00	0.81	51.63	39.00	38.75	39.00	42.25	44.00	47.50	55.75	2.00	62.50
542	57.69	33.94	43.13	4.00 x 6.00	0.81	57.13	43.06	42.25	43.50	46.50	49.00	52.25	61.25	2.50	68.00
600	63.81	37.06	47.56	4.00 x 6.00	0.81	63.13	47.69	45.00	48.00	51.25	54.00	57.50	67.25	2.50	74.00
660	70.00	40.25	52.44	4.00 x 6.00	0.81	69.38	52.44	49.50	52.50	55.75	59.00	63.00	73.75	2.50	81.00
730	77.50	43.75	57.81	4.00 x 6.00	0.81	76.75	58.00	54.25	57.00	61.75	64.50	69.50	81.25	2.50	89.00
807	85.69	48.19	63.88	4.00 x 6.00	0.81	84.88	64.19	59.50	63.00	67.50	72.00	76.50	89.50	2.50	96.50
890	94.38	51.38	70.25	4.00 x 6.00	0.81	93.38	70.00	65.50	69.25	73.75	78.25	85.00	98.25	2.50	107.50

SIZE	GA	GB	GC	H	HA	HB	HC	HD	HE	HF	HG	HH	HL	HM	HP	HQ
365	0.25	0.25	24.50	60.13	29.00	49.31	40.75	33.69	31.63	29.75	27.88	26.00	55.88	38.31	42.75	-
402	0.25	0.25	26.25	66.13	32.00	54.25	44.69	37.13	34.81	32.75	30.69	28.63	60.44	40.69	47.69	-
445	0.25	0.25	28.75	74.50	35.38	59.81	49.19	41.06	38.38	36.13	33.88	31.63	67.13	45.75	53.19	-
490	0.25	0.25	31.25	79.88	39.00	65.75	54.00	45.00	42.31	39.81	37.31	34.81	73.00	49.25	58.00	-
542	0.25	0.25	34.00	84.13	43.06	72.81	59.94	49.94	46.81	44.06	41.31	38.56	80.31	53.69	63.44	60.38
600	0.25	0.25	37.00	91.63	47.69	80.44	66.06	55.13	51.81	48.75	45.69	42.63	87.69	58.25	69.56	66.38
660	0.25	0.25	40.50	98.50	52.44	88.19	72.25	60.56	56.94	53.50	50.06	46.63	95.50	62.88	75.75	73.00
730	0.25	0.25	44.50	106.88	58.00	97.38	79.75	67.06	63.00	59.25	55.50	51.75	104.88	68.50	83.25	80.38
807	0.25	0.25	48.25	115.88	64.19	107.56	87.94	74.19	69.63	65.50	61.38	57.25	114.38	73.81	91.44	88.50
890	0.25	0.25	53.75	125.25	70.00	117.81	96.63	81.69	76.75	72.19	67.63	63.06	126.00	81.56	100.13	97.13

AC9250G

DIMENSIONS NOT TO BE USED FOR CONSTRUCTION. CERTIFIED DRAWINGS AVAILABLE UPON REQUEST.

Arrangement 1, SWSI, Non-Rotatable Class IV (cont'd.)



Notes:

1. Discharge angles are included on all discharges.
2. "CW" rotation is shown. "CCW" rotation is similar but opposite.
3. For fans with inlet box at 90 degrees or 270 degrees, use "BAU" discharge dimension "DF" for centerline height.

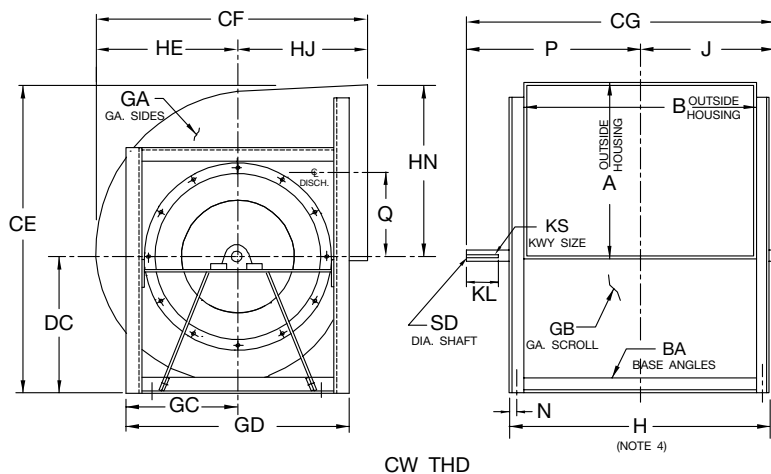
SIZE	J	K	KL	KS	L	M	N	P	Q	SD	SE
365	19.56	16.69	9.00	0.88 x 0.44	23.00	18.63	1.88	51.56	19.25	3.437	10.00
402	22.06	18.69	10.00	0.88 x 0.44	24.50	19.88	2.38	56.06	21.25	3.437	11.00
445	24.75	20.88	10.00	1.00 x 0.50	28.00	21.38	2.88	61.75	23.50	3.937	11.00
490	26.44	22.56	11.00	1.00 x 0.50	30.00	23.88	2.88	66.44	25.88	3.937	12.00
542	28.56	24.69	11.00	1.00 x 0.50	30.00	26.63	2.88	68.56	28.63	4.437	12.00
600	30.81	26.94	12.00	1.25 x 0.63	33.00	29.63	2.88	74.81	31.69	4.937	13.00
660	33.25	29.38	12.00	1.25 x 0.63	35.00	32.63	2.88	79.25	34.75	4.937	13.00
730	35.94	32.06	13.50	1.25 x 0.63	38.00	36.63	2.88	86.44	38.50	5.437	14.50
807	38.94	35.06	13.50	1.25 x 0.63	41.00	40.38	2.88	92.44	42.63	5.437	14.50
890	42.13	38.25	14.00	1.50 x 0.75	44.00	45.88	2.88	99.13	46.94	5.937	15.00

AC9250G

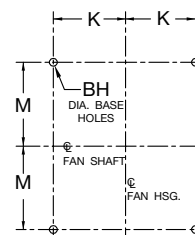
DIMENSIONS NOT TO BE USED FOR CONSTRUCTION. CERTIFIED DRAWINGS AVAILABLE UPON REQUEST.



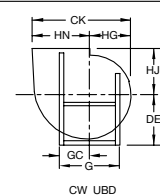
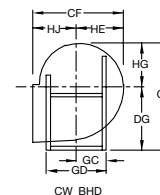
Arrangement 3, DWDI, Non-Rotatable Class I & II



CW THD



FOUNDATION PLAN



Notes:

1. Inlet bearing bar supports are removable.
2. "CW" rotation is shown. "CCW" rotation is similar but opposite.
3. For optional flanged outlet and downblast discharge see Dwg. AC14895.
4. Bearing bar supports may extend beyond base angles. See Dwg. AC1000648 for dimensions if space limitations are required for mounting fan.

SIZE	A	B	BA	BH	CE	CF	CG		CJ	CK	CM	DC	DE	DG
							CL I	CL II						
122	13.00	17.44	1.50 x 1.50	0.44	23.19	19.81	26.69	28.63	24.31	22.25	20.75	10.25	11.50	15.00
135	14.31	19.44	1.50 x 1.50	0.44	25.50	21.88	28.69	30.63	26.50	24.50	23.00	11.25	12.75	16.25
150	15.88	21.44	1.50 x 1.50	0.44	28.06	24.32	33.13	33.13	29.38	27.19	25.44	12.25	14.00	18.00
165	17.44	23.56	1.50 x 2.00	0.44	30.88	26.76	35.25	35.62	32.00	29.88	27.88	13.50	15.25	19.50
182	19.38	26.00	1.50 x 2.00	0.44	34.06	29.69	38.13	38.50	35.31	33.13	30.75	14.75	16.75	21.50
200	21.19	28.50	1.50 x 2.00	0.56	37.38	32.62	40.63	42.12	38.69	36.31	33.56	16.25	18.25	23.50
222	23.56	31.63	2.00 x 2.00	0.56	41.50	36.25	44.62	46.88	42.81	40.31	37.69	18.00	20.50	26.00
245	25.94	34.81	2.00 x 2.00	0.56	45.88	40.00	49.62	50.75	46.75	44.38	41.50	20.00	22.50	28.25
270	28.63	38.25	2.00 x 2.00	0.56	50.56	44.13	53.00	54.75	51.44	49.00	45.69	22.00	24.75	31.00

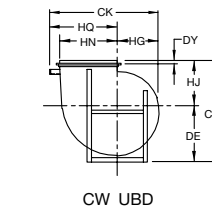
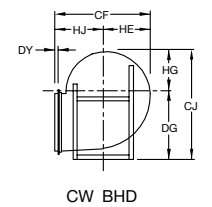
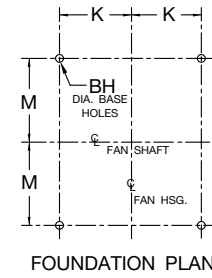
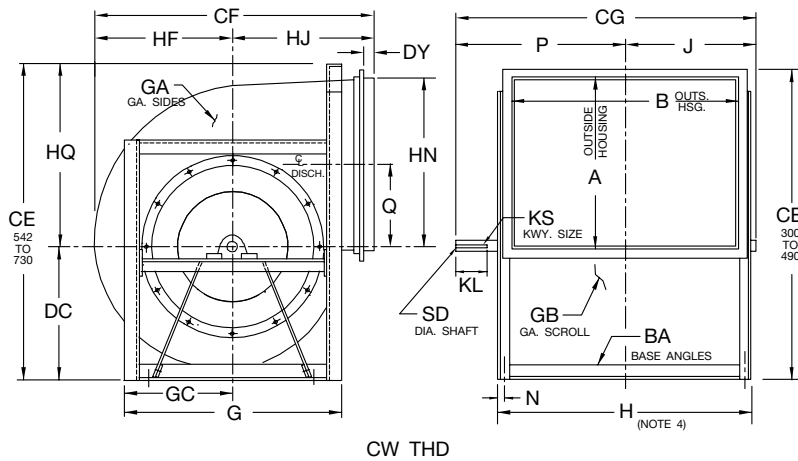
SIZE	G	GA	GB	GC	GD	H	HE	HG	HJ	HN	J		K	KL
											CL I	CL II		
122	19.75	14	14	9.88	18.50	20.50	10.56	9.31	9.25	12.94	11.44	12.38	9.63	3.00
135	21.00	14	14	10.50	19.75	22.50	11.63	10.25	10.25	14.25	12.44	13.38	10.63	3.00
150	22.75	14	14	11.38	21.50	24.50	12.88	11.38	11.44	15.81	14.38	14.38	11.63	3.50
165	24.25	14	14	12.13	24.25	27.63	14.13	12.50	12.63	17.38	15.44	15.56	12.94	3.50
182	26.00	12	14	13.00	26.00	30.00	15.69	13.81	14.00	19.31	16.63	16.75	14.13	4.00
200	28.00	12	14	14.00	28.00	32.50	17.31	15.19	15.31	21.13	17.78	18.56	15.38	4.00
222	31.25	12	14	15.63	31.25	35.63	19.06	16.81	17.19	23.50	19.56	20.63	16.94	4.50
245	33.50	12	14	16.75	33.50	38.88	21.00	18.50	19.00	25.88	21.81	22.31	18.56	5.00
270	36.00	12	14	18.00	36.00	42.25	23.19	20.44	20.94	28.56	23.50	24.31	20.25	5.00

SIZE	KS		M	N	P		Q	SD	
	CL I	CL II			CL I	CL II		CL I	CL II
122	0.25 x 0.13	0.38 x 0.19	6.75	0.63	15.25	16.25	6.44	1.187	1.437
135	0.25 x 0.13	0.38 x 0.19	7.38	0.63	16.25	17.25	7.13	1.187	1.687
150	0.38 x 0.19	0.38 x 0.19	8.25	0.63	18.75	18.75	7.88	1.437	1.687
165	0.38 x 0.19	0.50 x 0.25	8.75	0.88	19.81	20.06	8.69	1.437	1.937
182	0.38 x 0.19	0.50 x 0.25	9.63	0.88	21.50	21.75	9.63	1.687	1.937
200	0.38 x 0.19	0.50 x 0.25	10.63	0.88	22.75	23.56	10.56	1.687	2.187
222	0.50 x 0.25	0.63 x 0.31	11.75	0.88	25.06	26.25	11.75	1.937	2.437
245	0.50 x 0.25	0.63 x 0.31	12.88	0.88	27.81	28.44	12.94	2.187	2.437
270	0.50 x 0.25	0.63 x 0.31	14.13	0.88	29.50	30.44	14.25	2.187	2.687

AC14967E

DIMENSIONS NOT TO BE USED FOR CONSTRUCTION. CERTIFIED DRAWINGS AVAILABLE UPON REQUEST.

Arrangement 3, DWDI, Non-Rotatable Class I & II



Notes:

1. Inlet bearing bar supports are removable.
2. "CW" rotation is shown. "CCW" rotation is similar but opposite.
3. For optional flanged outlet connection and downblast discharge see Dwg. AC14896.
4. Bearing bar supports may extend beyond base angles. See Dwg. AC100648 for dimensions if space limitations are required for mounting fan.

SIZE	A	B	BA	BH	CE	CF	CG		CJ	CK
							CL I	CL II		
300	31.81	42.69	2.50 x 2.50	0.56	57.75	49.06	59.13	59.13	57.00	56.00
330	35.13	46.69	2.50 x 2.50	0.56	63.56	54.13	63.13	63.13	62.25	61.56
365	38.69	51.81	2.50 x 2.50	0.56	69.63	60.00	68.88	68.88	68.75	67.88
402	42.63	57.19	3.00 x 3.00	0.81	77.06	66.19	74.13	74.75	76.06	74.62
445	47.13	63.13	3.00 x 3.00	0.81	84.06	73.13	80.00	80.37	83.75	82.31
490	51.94	69.44	3.00 x 3.00	0.81	92.88	80.69	88.00	90.57	91.94	91.07
542	57.38	76.94	3.00 x 4.00	0.81	103.25	89.25	94.75	95.69	101.44	100.94
600	63.50	85.00	3.00 x 4.00	0.81	113.75	98.88	107.07	108.63	111.81	111.31
660	69.69	93.69	3.50 x 5.00	0.81	124.75	108.75	115.81	117.44	123.19	122.19
730	77.25	103.38	3.50 x 5.00	0.81	136.75	120.38	128.00	128.00	136.13	135.13

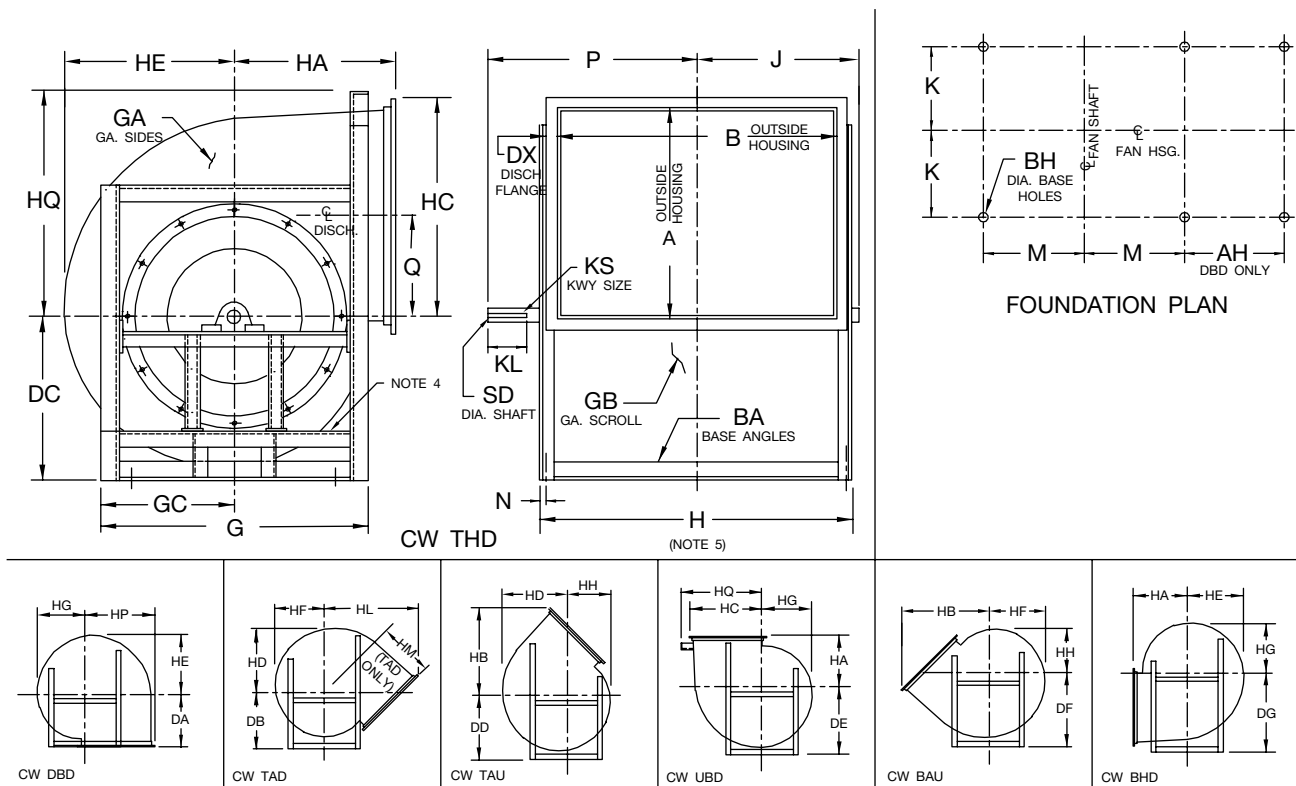
SIZE	CM	DC	DE	DG	DY	G	GA	GB	GC	H	HE	HG	HJ	HN	HQ
300	51.81	24.50	28.50	34.25	1.25	41.00	10	12	20.50	47.75	25.75	22.75	23.31	31.75	-
330	56.75	27.00	31.00	37.25	1.50	44.00	10	12	22.00	51.75	28.38	25.00	25.75	35.06	-
365	62.00	29.50	33.50	41.00	1.50	48.00	10	12	24.00	56.88	31.50	27.75	28.50	38.63	-
402	68.50	33.00	37.00	45.50	1.50	52.50	10	12	26.25	63.25	34.69	30.56	31.50	42.56	-
445	74.88	35.50	40.00	50.00	1.50	56.50	10	12	28.25	69.13	38.25	33.75	34.88	47.06	-
490	82.50	39.00	44.00	54.75	1.50	61.50	10	12	30.75	75.50	42.19	37.19	38.50	51.88	-
542	91.56	43.50	49.00	60.25	1.50	67.00	10	12	33.50	85.00	46.69	41.19	42.56	57.31	59.75
600	101.19	48.00	54.00	62.25	1.50	73.00	10	12	36.50	93.00	51.69	45.56	47.19	63.44	65.75
660	110.94	52.50	59.00	73.25	1.50	80.00	10	12	40.00	103.75	56.81	49.94	51.94	69.63	72.25
730	122.00	57.00	64.50	80.75	1.50	88.00	10	10	44.00	113.38	62.88	55.38	57.50	77.13	79.75

SIZE	J		K	KL	KS		M	N	P		Q	SD	
	CL I	CL II			CL I	CL II			CL I	CL II		CL I	CL II
300	26.25	26.25	22.75	5.50	0.63 x 0.31	0.63 x 0.31	15.88	1.13	32.88	32.88	15.81	2.437	2.437
330	28.25	28.25	24.75	5.50	0.63 x 0.31	0.63 x 0.31	17.38	1.13	34.88	34.88	17.50	2.437	2.437
365	31.13	31.13	27.31	5.50	0.63 x 0.31	0.63 x 0.31	18.88	1.13	37.75	37.75	19.25	2.687	2.687
402	33.50	33.81	30.25	6.00	0.63 x 0.31	0.63 x 0.31	20.88	1.38	40.63	40.94	21.25	2.437	2.687
445	36.44	36.56	33.19	6.00	0.63 x 0.31	0.75 x 0.38	22.88	1.38	43.56	43.81	23.50	2.437	2.937
490	39.94	41.13	36.38	7.00	0.63 x 0.31	0.88 x 0.44	25.38	1.38	48.06	49.44	25.88	2.687	3.437
542	43.75	44.19	40.63	6.00	0.75 x 0.38	0.88 x 0.44	27.63	1.88	51.00	51.50	28.63	2.937	3.437
600	48.88	49.63	44.63	8.00	0.88 x 0.44	1.00 x 0.50	30.63	1.88	58.19	59.00	31.69	3.437	3.937
660	53.25	54.06	49.50	8.00	0.88 x 0.44	1.00 x 0.50	33.13	2.38	62.56	63.38	34.75	3.437	3.937
730	58.81	58.81	54.31	9.00	1.00 x 0.50	1.00 x 0.50	37.13	2.38	69.19	69.19	38.50	3.937	3.937

AC14968F

DIMENSIONS NOT TO BE USED FOR CONSTRUCTION. CERTIFIED DRAWINGS AVAILABLE UPON REQUEST.

Arrangement 3, DWDI, Non-Rotatable Class I & II



Notes:

1. For slip connection on discharge, contact factory for Dwg. AC15864.
2. Inlet bearing bar supports are removable.
3. "CW" rotation is shown. "CCW" rotation is similar but opposite.
4. Frame supports vary in construction by size and by discharge position.
5. Bearing bar supports may extend beyond base angles. See Dwg. AC1000648 for dimensions if space limitations are required for mounting fan.

SIZE	A	AH	B	BA	BH	DA	DB	DC	DD	DE	DF	DG	DX	G	GA	GB
807	85.44	47.06	114.31	3.50 x 5.00	0.81	64.19	59.50	63.00	67.50	72.00	76.50	89.00	2.50	95.50	10	10
890	94.13	50.25	126.13	3.50 x 5.00	0.81	70.00	65.50	69.25	73.75	78.25	85.00	97.81	2.50	106.50	7	10
982	104.00	53.75	139.19	4.00 x 6.00	0.81	77.75	71.50	76.50	80.00	86.50	92.00	108.25	2.50	122.00	7	7

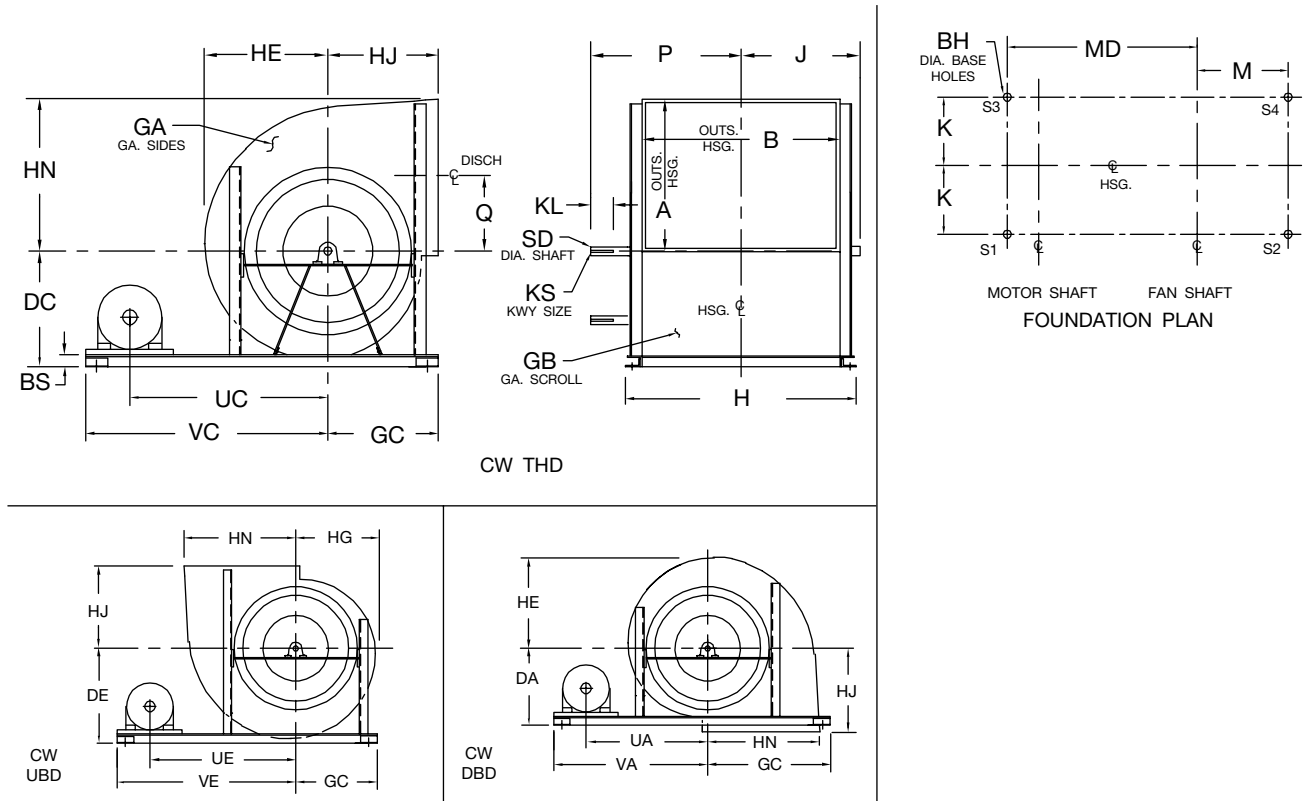
SIZE	GC	GD	H	HA	HB	HC	HD	HE	HF	HG	HH	HL	HM	HP	HQ
807	47.75	95.50	124.38	64.19	107.50	87.81	74.00	69.50	65.38	61.25	57.13	113.69	73.00	90.31	87.75
890	53.25	106.50	136.13	70.00	117.75	96.50	81.56	76.63	72.06	67.50	62.94	125.38	80.75	99.00	96.50
982	61.00	122.00	151.25	77.75	130.13	106.31	90.06	84.63	79.56	74.50	69.44	140.06	91.75	109.75	106.75

SIZE	J		K	KL	KS	M	N	P		Q	SD	
	CL I	CL II						CL I	CL II		CL I	CL II
807	64.31	65.56	59.81	9.0	1.00 x 0.50	40.88	2.38	74.69	75.44	42.63	3.937	4.437
890	70.19	71.50	65.69	9.0	1.00 x 0.50	46.38	2.38	80.56	82.00	46.94	3.937	4.437
982	77.81	78.44	72.75	9.0	1.25 x 0.63	53.13	2.88	88.31	88.88	51.81	4.937	5.437

AC9258E

DIMENSIONS NOT TO BE USED FOR CONSTRUCTION. CERTIFIED DRAWINGS AVAILABLE UPON REQUEST.

Arrangement 3F, DWDI, Non-Rotatable Class I



Notes:

1. "CW" rotation, motor position "Z" shown. "CCW" rotation, motor position "W" is similar but opposite.
2. Standard Arr. 3F motor location is on the left for "CW" rotation units and on the right for "CCW" rotation. Dimension "FR" equals max. motor frame.
3. For optional flanged outlet, contact factory for Dwg. AC16038.
4. See ES4-98 for point loads at location "S1," "S2," etc.
5. Contact factory for BHD and other UBD orientations.

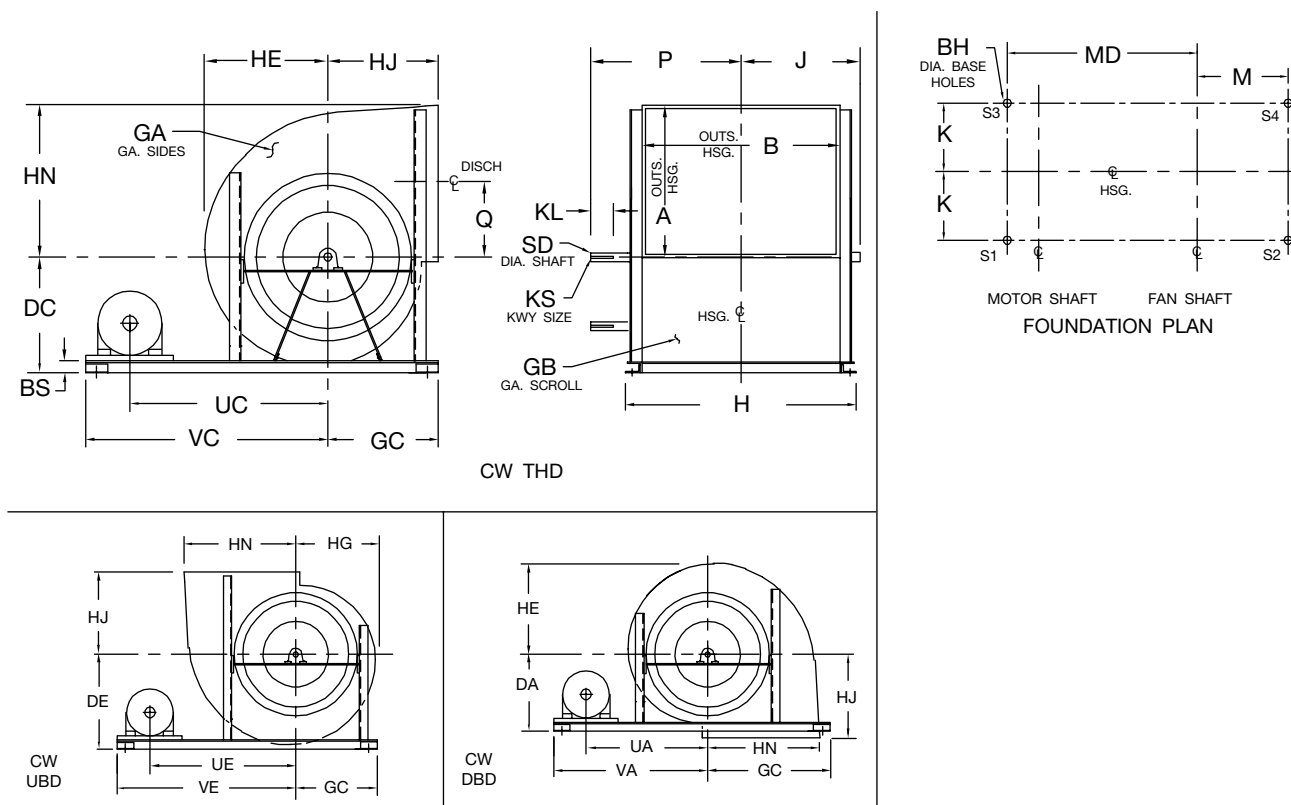
SIZE	A	B	BH	BS	DA	DC	DE	FR	GA	GB	GC			H		HE
											DBD	THD	UBD	DBD	THD/UBD	
122	13.00	17.44	0.69	4.00	12.38	12.38	12.38	184T	14	14	16.00	9.13	11.38	28.00	24.00	10.56
135	14.31	19.44	0.69	4.00	13.00	13.00	13.00	184T	14	14	17.25	9.75	12.00	30.00	26.00	11.63
150	15.88	21.44	0.69	4.00	13.88	13.88	13.88	213T	14	14	18.88	10.63	12.88	32.00	28.00	12.88
165	17.44	23.56	0.69	4.00	14.63	14.63	15.13	215T	14	14	20.38	12.13	13.63	34.13	30.13	14.13
182	19.38	26.00	0.69	4.00	15.50	15.50	16.69	254T	12	14	22.38	13.00	14.50	36.50	32.50	15.69
200	21.19	28.50	0.69	4.00	16.50	16.50	18.31	254T	12	14	24.13	14.00	15.50	39.00	35.00	17.31
222	23.56	31.63	0.69	5.00	18.63	18.63	20.06	254T	12	14	27.00	15.63	17.13	42.38	40.38	19.06
245	25.94	34.81	0.69	5.00	19.75	19.75	22.00	256T	12	14	29.38	18.25	18.25	45.63	43.63	21.00
270	28.63	38.25	0.69	5.00	21.00	21.44	24.19	256T	12	14	32.13	19.50	19.50	49.00	47.00	23.19

SIZE	HG	HJ		HN	J	K		KL	KS	M			MD		
		DBD	THD/UBD			DBD	THD/UBD			DBD	THD	UBD	DBD	THD	UBD
122	9.31	13.88	9.25	12.94	11.44	12.75	10.63	3.00	0.25 x 0.13	13.00	6.13	8.38	23.00	24.25	26.13
135	10.25	14.50	10.25	14.25	12.44	13.75	11.63	3.00	0.25 x 0.13	14.25	6.75	9.00	23.88	25.25	27.38
150	11.38	15.38	11.44	15.81	14.38	14.75	12.63	3.50	0.38 x 0.19	15.88	7.63	9.88	28.13	29.63	32.00
165	12.50	16.13	12.63	17.38	15.44	15.81	13.69	3.50	0.38 x 0.19	17.38	9.13	10.63	29.25	30.88	33.13
182	13.81	17.00	14.00	19.31	16.63	17.00	14.88	4.00	0.38 x 0.19	19.38	10.00	11.50	34.25	36.00	39.00
200	15.19	18.00	15.31	21.13	17.88	18.25	16.13	4.00	0.38 x 0.19	21.13	11.00	12.50	35.50	37.75	40.75
222	16.81	20.13	17.19	23.50	19.56	19.94	18.31	4.50	0.50 x 0.25	24.00	12.63	14.13	37.25	39.50	43.13
245	18.50	21.25	19.00	25.88	21.81	21.56	19.94	5.00	0.50 x 0.25	26.38	15.25	15.25	38.88	41.38	45.25
270	20.44	22.50	20.94	28.56	23.50	23.25	21.63	5.00	0.50 x 0.25	29.13	16.50	16.50	40.75	43.50	47.63

AC16026C

DIMENSIONS NOT TO BE USED FOR CONSTRUCTION. CERTIFIED DRAWINGS AVAILABLE UPON REQUEST.

Arrangement 3F, DWDI, Non-Rotatable Class I (cont'd.)



Notes:

1. "CW" rotation, motor position "Z" shown. "CCW" rotation, motor position "W" is similar but opposite.
2. Standard Arr. 3F motor location is on the left for "CW" rotation units and on the right for "CCW" rotation. Dimension "FR" equals max. motor frame.
3. For optional flanged outlet, contact factory for Dwg. AC16038.
4. See ES4-98 for point loads at location "S1," "S2," etc.
5. Contact factory for BHD and other UBD orientations.

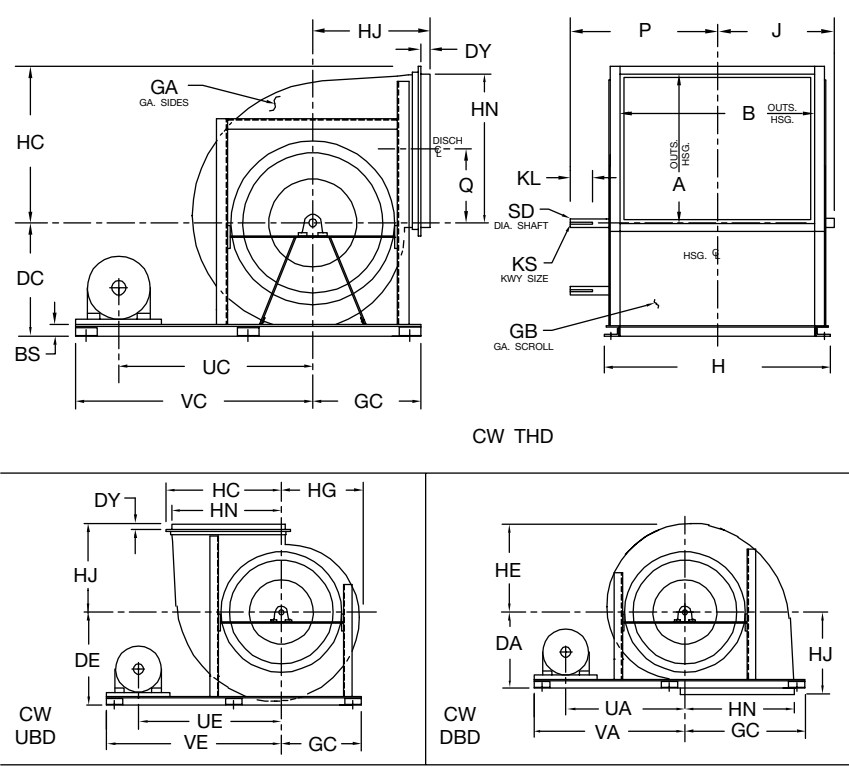
SIZE	P	Q	SD	UA	UC	UE	VA	VC	VE
122	15.25	6.44	1.187	19.63	20.88	22.75	26.00	27.25	29.13
135	16.25	7.13	1.187	20.50	21.88	24.00	26.88	28.25	30.38
150	18.75	7.88	1.437	23.63	25.13	27.50	31.13	32.63	35.00
165	19.81	8.69	1.437	24.75	26.38	28.63	32.25	33.88	36.13
182	21.50	9.63	1.687	28.38	30.13	33.13	37.25	39.00	42.00
200	22.75	10.56	1.687	29.63	31.88	34.88	38.50	40.75	43.75
222	25.06	11.75	1.937	31.38	33.63	37.25	40.25	42.50	46.13
245	27.81	12.94	2.187	33.00	35.50	39.38	41.88	44.38	48.25
270	29.50	14.25	2.187	34.88	37.63	41.75	43.75	46.50	50.63

AC16026C

DIMENSIONS NOT TO BE USED FOR CONSTRUCTION.
CERTIFIED DRAWINGS AVAILABLE UPON REQUEST.



Arrangement 3F, DWDI, Non-Rotatable Class I



Notes:

1. "CW" rotation, motor position "Z" shown. "CCW" rotation, motor position "W" is similar but opposite.
2. Standard Arr. 3F motor location is on the left for "CW" rotation units and on the right for "CCW" rotation. Dimension "FR" equals max. motor frame.
3. For optional flanged outlet, contact factory for Dwg. AC16039.
4. Dimension "MF" applies only when six (6) mounting brackets are required.
5. See ES4-98 for point loads at location "S1," "S2," etc.
6. See Dwg. AC16028 for sizes 542-660. Contact factory for BHD and other UBD orientations.

SIZE	A	B	BH	BS	DA	DC	DE	DY	FR	GA	GB	GC		H		HC
												DBD	THD/UBD	DBD	THD/UBD	
300	31.81	42.69	0.69	5.00	23.00	23.75	26.75	1.25	284T	10	12	35.25	21.50	53.50	51.50	33.25
330	35.13	46.69	0.69	5.00	24.50	26.00	29.38	1.50	286T	10	12	38.63	23.00	57.50	55.50	36.56
365	38.69	51.81	0.81	6.00	27.50	28.75	32.50	1.50	324T	10	12	42.63	25.50	62.63	62.63	40.13
402	42.63	57.19	0.81	6.00	30.00	31.56	35.69	1.50	326T	10	12	46.63	27.25	68.00	68.00	44.06
445	47.13	63.13	0.81	6.00	33.38	34.75	39.25	1.50	364T	10	12	51.13	29.25	73.88	73.88	48.56
490	51.94	69.44	0.81	6.00	37.00	38.19	43.19	1.50	365T	10	12	55.88	31.75	80.25	80.25	53.88

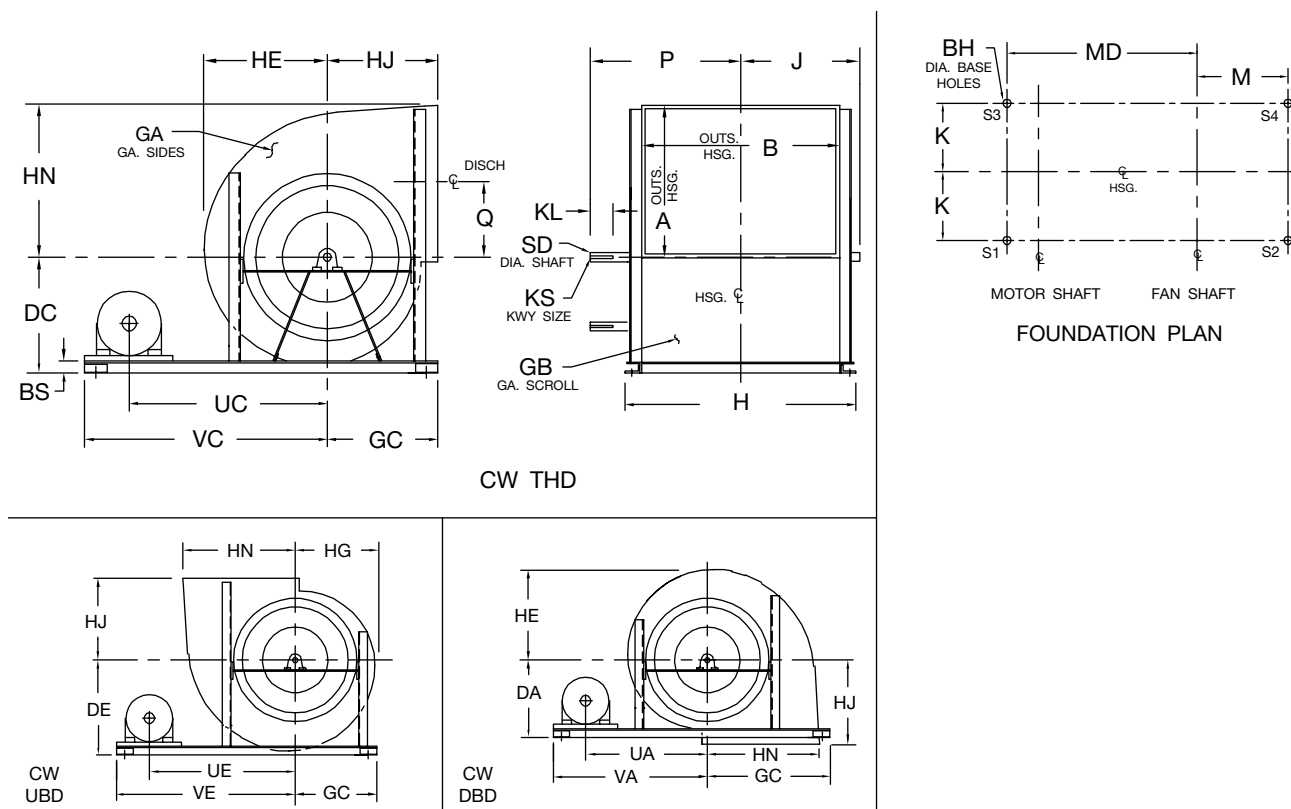
SIZE	HE	HG	HJ		HN	J	K		KL	KS	M		MD		
			DBD	THD/UBD			DBD	THD/UBD			DBD	THD	UBD		
300	25.75	22.75	24.50	23.31	31.75	26.25	25.50	23.88	5.50	0.63 x 0.31	32.25	18.50	45.63	48.63	53.00
330	28.38	25.00	26.00	25.75	35.06	28.25	27.50	25.88	5.50	0.63 x 0.31	35.63	20.00	47.75	51.00	55.63
365	31.50	27.75	29.00	28.50	38.63	31.13	30.06	28.94	5.50	0.63 x 0.31	39.63	22.50	54.13	57.88	63.13
402	34.69	30.56	31.50	31.50	42.56	33.50	32.75	31.63	6.00	0.63 x 0.31	43.63	24.25	56.75	60.63	66.25
445	38.25	33.75	34.88	34.88	47.06	36.44	35.69	34.56	6.00	0.63 x 0.31	48.13	26.25	64.00	68.38	74.38
490	42.19	37.19	38.50	38.50	51.88	39.94	38.88	37.75	7.00	0.63 x 0.31	52.88	28.75	66.75	71.63	78.13

SIZE	MF		P	Q	SD	UA	UC	UE	VA	VC	VE
	DBD	UBD									
300	—	—	32.88	15.81	2.437	38.75	41.75	46.13	48.63	51.63	56.00
330	—	—	34.88	17.50	2.437	40.88	44.13	48.75	50.75	54.00	58.63
365	—	—	37.75	19.25	2.687	45.75	49.50	54.75	57.13	60.88	66.13
402	—	—	40.63	21.25	2.437	48.38	52.25	57.88	59.75	63.63	69.25
445	7.94	—	43.56	23.50	2.437	54.25	58.63	64.63	67.00	71.38	77.38
490	6.94	24.69	48.06	25.88	2.687	57.00	61.88	68.38	69.75	74.63	81.13

AC16027C

DIMENSIONS NOT TO BE USED FOR CONSTRUCTION. CERTIFIED DRAWINGS AVAILABLE UPON REQUEST.

Arrangement 3F, DWDI, Non-Rotatable Class II



Notes:

1. "CW" rotation, motor position "Z" shown. "CCW" rotation, motor position "W" is similar but opposite.
2. Standard Arr. 3F motor location is on the left for "CW" rotation units and on the right for "CCW" rotation. Dimension "FR" equals max. motor frame.
3. For optional flanged outlet, see Dwg. AC16044.
4. See ES4-98 for point loads at location "S1," "S2," etc.
5. Contact factory for BHD and other UBD orientations.

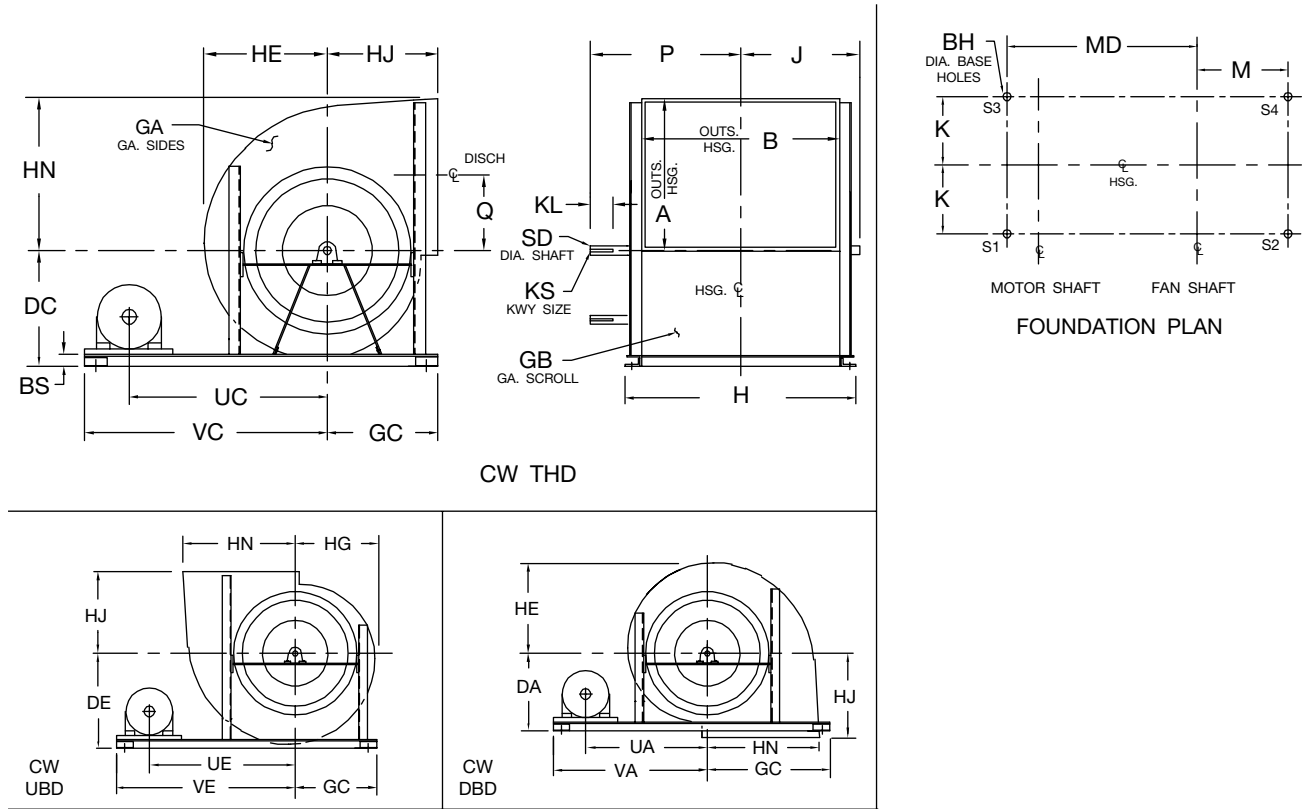
SIZE	A	B	BH	BS	DA	DC	DE	FR	GA	GB	GC			H		HE
											DBD	THD	UBD	DBD	THD/UBD	
122	13.00	17.44	0.69	4.00	12.38	12.38	12.38	215T	14	14	16.00	9.13	11.38	28.00	24.00	10.56
135	14.31	19.44	0.69	4.00	13.00	13.00	13.00	254T	14	14	17.25	9.75	12.00	30.00	26.00	11.63
150	15.88	21.44	0.69	4.00	13.88	13.88	13.88	254T	14	14	18.88	10.63	12.88	32.00	28.00	12.88
165	17.44	23.56	0.69	4.00	14.63	14.63	15.13	256T	14	14	20.38	12.13	13.63	34.13	30.13	14.13
182	19.38	26.00	0.69	4.00	15.50	15.50	16.69	284T	12	14	22.38	13.00	14.50	36.50	32.50	15.69
200	21.19	28.50	0.69	4.00	16.50	16.50	18.31	284T	12	14	24.13	14.00	15.50	39.00	35.00	17.31
222	23.56	31.63	0.69	5.00	18.63	18.63	20.06	286T	12	14	27.00	15.63	17.13	42.38	40.38	19.06
245	25.94	34.81	0.69	5.00	19.75	19.75	22.00	324T	12	14	29.38	18.25	18.25	45.63	43.63	21.00
270	28.63	38.25	0.69	5.00	21.00	21.44	24.19	326T	12	14	32.13	19.50	19.50	49.00	47.00	23.19

SIZE	HG	HJ		HN	J	K		KL	KS	M			MD		
		DBD	THD/UBD			DBD	THD/UBD			DBD	THD	UBD	DBD	THD	UBD
122	9.31	13.88	9.25	12.94	12.38	12.75	10.63	3.00	0.38 x 0.19	13.00	6.13	8.38	26.13	27.38	29.25
135	10.25	14.50	10.25	14.25	13.38	13.75	11.63	3.00	0.38 x 0.19	14.25	6.75	9.00	30.63	32.00	34.13
150	11.38	15.38	11.44	15.81	14.38	14.75	12.63	3.50	0.38 x 0.19	15.88	7.63	9.88	31.75	33.25	35.63
165	12.50	16.13	12.63	17.38	15.56	15.81	13.69	3.50	0.50 x 0.25	17.38	9.13	10.63	32.88	34.50	36.75
182	13.81	17.00	14.00	19.31	16.75	17.00	14.88	4.00	0.50 x 0.25	19.38	10.00	11.50	36.75	38.50	41.50
200	15.19	18.00	15.31	21.13	18.56	18.25	16.13	4.00	0.50 x 0.25	21.13	11.00	12.50	38.00	40.25	43.25
222	16.81	20.13	17.19	23.50	20.63	19.94	18.31	4.50	0.63 x 0.31	24.00	12.63	14.13	39.75	42.00	45.63
245	18.50	21.25	19.00	25.88	22.31	21.56	19.94	5.00	0.63 x 0.31	26.38	15.25	15.25	45.00	47.50	51.38
270	20.44	22.50	20.94	28.56	24.31	23.25	21.63	5.00	0.63 x 0.31	29.13	16.50	16.50	46.88	49.63	54.00

AC16032C

DIMENSIONS NOT TO BE USED FOR CONSTRUCTION. CERTIFIED DRAWINGS AVAILABLE UPON REQUEST.

Arrangement 3F, DWDI, Non-Rotatable Class II (cont'd.)



Notes:

1. "CW" rotation, motor position "Z" shown. "CCW" rotation, motor position "W" is similar but opposite.
2. Standard Arr. 3F motor location is on the left for "CW" rotation units and on the right for "CCW" rotation. Dimension "FR" equals max. motor frame.
3. For optional flanged outlet, see Dwg. AC16044.
4. See ES4-98 for point loads at location "S1," "S2," etc.
5. Contact factory for BHD and other UBD orientations.

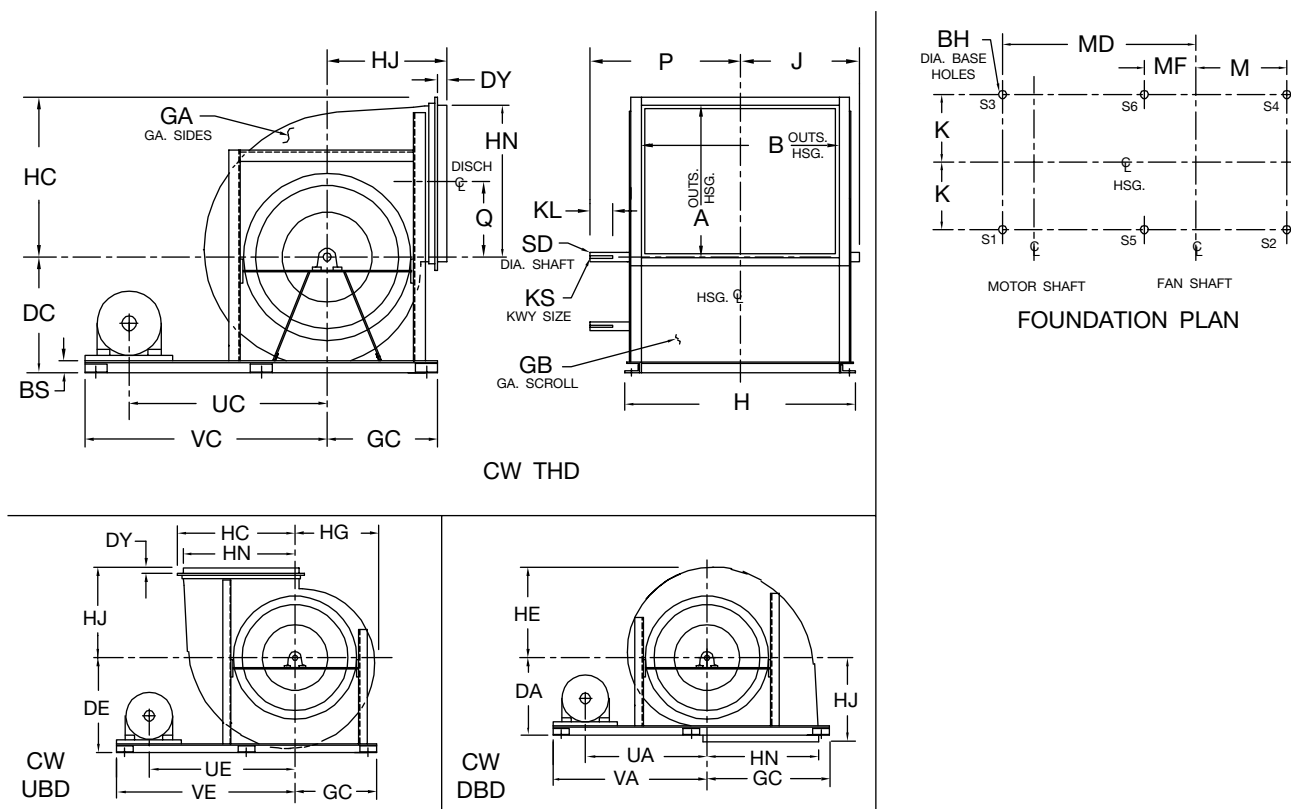
SIZE	P	Q	SD	UA	UC	UE	VA	VC	VE
122	16.25	6.44	1.437	21.63	22.88	24.75	29.13	30.38	32.25
135	17.25	7.13	1.687	24.75	26.13	28.25	33.63	35.00	37.13
150	18.75	7.88	1.687	25.88	27.38	29.75	34.75	36.25	38.63
165	20.06	8.69	1.937	27.00	28.63	30.88	35.88	37.50	39.75
182	21.75	9.63	1.937	29.88	31.63	34.63	39.75	41.50	44.50
200	23.56	10.56	2.187	31.13	33.38	36.38	41.00	43.25	46.25
222	26.25	11.75	2.437	32.88	35.13	38.75	42.75	45.00	48.63
245	28.44	12.94	2.437	36.63	39.13	43.00	48.00	50.50	54.38
270	30.44	14.25	2.687	38.50	41.25	45.63	49.88	52.63	57.00

AC16032C

DIMENSIONS NOT TO BE USED FOR CONSTRUCTION.
CERTIFIED DRAWINGS AVAILABLE UPON REQUEST.



Arrangement 3F, DWDI, Non-Rotatable Class II



Notes:

1. "CW" rotation, motor position "Z" shown. "CCW" rotation, motor position "W" is similar but opposite.
2. Standard Arr. 3F motor location is on the left for "CW" rotation units and on the right for "CCW" rotation. Dimension "FR" equals max. motor frame.
3. For optional flanged outlet, contact factory for Dwg. AC16045.
4. Dimension "MF" applies only when six (6) mounting brackets are required.
5. See ES4-98 for point loads at location "S1," "S2," etc.
6. See Dwg. AC16034 for sizes 542-660. Contact factory for BHD and other UBD orientations.

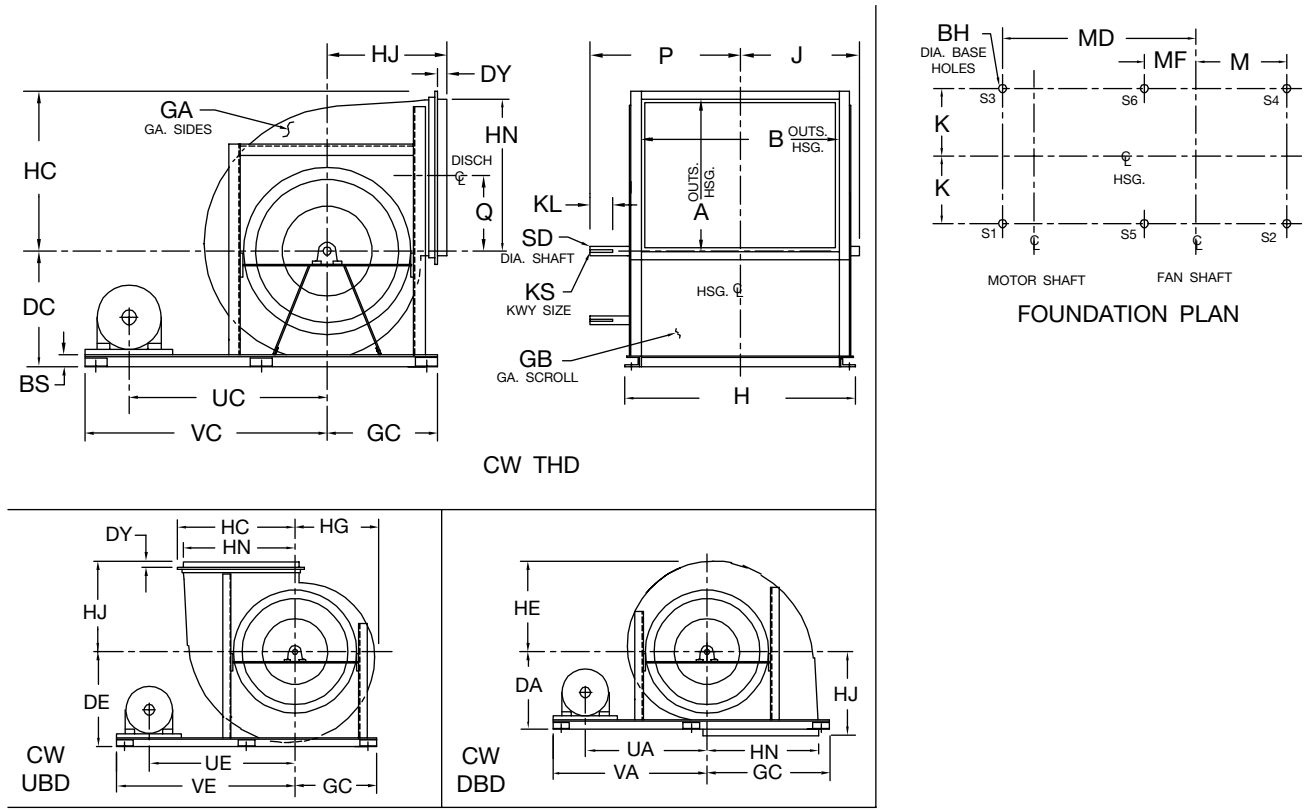
SIZE	A	B	BH	BS	DA	DC	DE	DY	FR	GA	GB	GC		H		HC
												DBD	THD/UBD	DBD	THD/UBD	
300	31.81	42.69	0.69	5.00	23.00	23.75	26.75	1.25	364T	10	12	35.25	21.50	53.50	51.50	33.25
330	35.13	46.69	0.69	5.00	24.50	26.00	29.38	1.50	365T	10	12	38.63	23.00	57.50	55.50	36.56
365	38.69	51.81	0.81	6.00	27.50	28.75	32.50	1.50	365T	10	12	42.63	25.50	62.63	62.63	40.13
402	42.63	57.19	0.81	6.00	30.00	31.56	35.69	1.50	405T	10	12	46.63	27.25	68.00	68.00	44.06
445	47.13	63.13	0.81	6.00	33.38	34.75	39.25	1.50	445T	10	12	51.13	29.25	73.88	73.88	48.56
490	51.94	69.44	0.81	6.00	37.00	38.19	43.19	1.50	445T	10	12	55.88	31.75	80.25	80.25	53.88

SIZE	HE	HG	HJ		HN	J	K		KL	KS	M		MD		
			DBD	THD/UBD			DBD	THD/UBD			DBD	THD	UBD		
300	25.75	22.75	24.50	23.31	31.75	26.25	25.50	23.88	5.50	0.63 x 0.31	32.25	18.50	53.50	56.50	61.25
330	28.38	25.00	26.00	25.75	35.06	28.25	27.50	25.88	5.50	0.63 x 0.31	35.63	20.00	55.75	59.13	64.13
365	31.50	27.75	29.00	28.50	38.63	31.13	30.06	28.94	5.50	0.63 x 0.31	39.63	22.50	58.50	62.25	67.63
402	34.69	30.56	31.50	31.50	42.56	33.81	32.75	31.63	6.00	0.63 x 0.31	43.63	24.25	67.00	71.00	77.13
445	38.25	33.75	34.88	34.88	47.06	36.56	35.69	34.56	6.00	0.75 x 0.38	48.13	26.25	73.68	78.13	84.63
490	42.19	37.19	38.50	38.50	51.88	41.13	38.88	37.75	7.00	0.88 x 0.44	52.88	28.75	76.88	81.75	88.75

AC16033C

DIMENSIONS NOT TO BE USED FOR CONSTRUCTION. CERTIFIED DRAWINGS AVAILABLE UPON REQUEST.

Arrangement 3F, DWDI, Non-Rotatable Class II (cont'd.)



Notes:

1. "CW" rotation, motor position "Z" shown. "CCW" rotation, motor position "W" is similar but opposite.
2. Standard Arr. 3F motor location is on the left for "CW" rotation units and on the right for "CCW" rotation. Dimension "FR" equals max. motor frame.
3. For optional flanged outlet, contact factory for Dwg. AC16045.
4. Dimension "MF" applies only when six (6) mounting brackets are required.
5. See ES4-98 for point loads at location "S1," "S2," etc.
6. See Dwg. AC16034 for sizes 542-660. Contact factory for BHD and other UBD orientations.

SIZE	MF			P	Q	SD	UA	UC	UE	VA	VC	VE
	DBD	THD	UBD									
300	—	—	—	32.88	15.81	2.437	43.75	46.75	51.50	56.50	59.50	64.25
330	—	—	—	34.88	17.50	2.437	46.00	49.38	54.38	58.75	62.13	67.13
365	—	—	—	37.75	19.25	2.687	48.75	52.50	57.88	61.50	65.25	70.63
402	11.69	—	—	40.94	21.25	2.687	55.63	59.63	65.75	70.00	74.00	80.13
445	12.75	—	29.19	43.81	23.50	2.937	61.00	65.50	72.00	76.63	81.13	87.63
490	12.00	26.50	30.00	49.44	25.88	3.437	64.25	69.13	76.13	79.88	84.75	91.75

AC16033C

DIMENSIONS NOT TO BE USED FOR CONSTRUCTION. CERTIFIED DRAWINGS AVAILABLE UPON REQUEST.





Model BC-SW

PERFORMANCE — Performance ratings shall conform to AMCA Standard 208 (fan energy index), 211 (air performance) and 311 (sound performance). Fans shall be tested in accordance with ANSI/AMCA Standard 210 (air performance) and 300 (sound performance) in an AMCA accredited laboratory. Fans shall be licensed to bear the AMCA certified ratings seal for both sound and air, and fan energy index (FEI).

Fans shall have a sharply rising pressure characteristic extending through the operating range and continuing to rise beyond the peak efficiency to ensure quiet and stable operation. Fans shall have a non-overloading design with self-limiting horsepower characteristics and shall reach a peak in the normal selection area. All fans shall be capable of operating over the minimum pressure class limits as specified in AMCA Standard 99.

HOUSING — BC fan housings shall be of heavy-gauge, continuously-welded construction. Housings with lock seams or partially welded construction are not acceptable. Discharge flanges are to be provided for rigidity and duct connection. Housings shall be suitably braced to prevent vibration or pulsation. Housings shall have tapered spun, aerodynamically designed inlet cones or funnels providing stable flow and high rigidity.

Class I and II sizes 270 and smaller shall be of the rotatable design, convertible to 8 standard discharge configurations.

IMPELLER — BC backward inclined impellers shall be single thickness plate type, designed for maximum efficiency and quiet operation, and blades shall be welded to the rim and back plate. All impellers shall be statically and dynamically balanced.

SHAFT — Shafts shall be AISI 1040 or 1045 hot rolled steel, accurately turned, ground, polished and ring-gauged for accuracy. Shafts shall be sized for the first critical speed of at least 1.43 times the maximum speed.

BEARINGS — Bearings shall be heavy-duty, grease lubricated, spherical roller or adapter mounted anti-friction ball, self-aligning, pillow block type and selected for a minimum average bearing life (AFBMA L-50) in excess of 200,000 hours at the maximum fan RPM.

DRIVE — Motor sheaves shall be cast iron, variable pitch on applications 10 HP and smaller, and fixed pitch on 15 HP and larger. Drives and belts shall be located external to the fan casing and rated for 150% of the required motor HP.

FINISH AND COATING — The entire fan assembly, excluding the shaft, shall be properly washed and pretreated before application of a rust-preventative primer, if called out on the order. After the fan is completely assembled, a finish coat of paint shall be applied to the entire assembly, if called out on the order. The fan shaft shall be coated with a petroleum-based rust protectant.

ACCESSORIES — When specified, accessories such as belt guards, weather covers, access doors, companion flanges, variable inlet vanes, outlet dampers, piezometer ring airflow measurement device, inlet boxes, shaft coolers, shaft seals, inlet screens, etc., shall be provided by Twin City Fan & Blower to maintain one source responsibility.

When specified, fans shall be supplied with internal or nested type variable inlet vanes for impeller diameters 16¹/₂" and larger. Cantilevered vane blades are to be used through Size 660 to minimize air performance insertion losses and noise. The operating mechanism shall be out of the inlet airstream.

FACTORY BALANCE AND RUN TESTING — All fan impellers shall be statically and dynamically balanced in accordance with ANSI/AMCA 204 "Balance Quality and Vibration Levels for Fans" to Fan Application Category BV-3. This corresponds to a Balance Quality Grade G6.3. All assembled fans are test run at the rated operating speed or at the maximum RPM of the fan. Vibration readings are recorded in the horizontal, vertical and axial directions on both bearings. Trim balancing is performed if necessary to maintain BV-3 vibration limits. Records shall be maintained and a written copy shall be available upon request.



Model BC-DW

PERFORMANCE — Performance ratings shall conform to AMCA Standard 208 (fan energy index), 211 (air performance) and 311 (sound performance). Fans shall be tested in accordance with ANSI/AMCA Standard 210 (air performance) and 300 (sound performance) in an AMCA accredited laboratory. Fans shall be licensed to bear the AMCA certified ratings seal for both sound and air, and fan energy index (FEI).

Fans shall have a sharply rising pressure characteristic extending through the operating range and continuing to rise beyond the peak efficiency to ensure quiet and stable operation. Fans shall have a non-overloading design with self-limiting horsepower characteristics and shall reach a peak in the normal selection area. All fans shall be capable of operating over the minimum pressure class limits as specified in AMCA Standard 99.

HOUSING — BC fan housings shall be of heavy-gauge, continuously-welded construction. Housings with lock seams or partially welded construction are not acceptable. Housings shall be suitably braced to prevent vibration or pulsation. Housings shall have spun, aerodynamically designed inlet cones or inlet venturies for smooth airflow into the impellers.

IMPELLER — Impellers shall have tapered spun impeller cones or shrouds, providing stable flow and high rigidity. Impellers shall be of the non-overloading type. BC backward inclined impellers shall be single thickness plate type, welded to the rim and back plate. Blades shall be designed for maximum efficiency and quiet operation. All impellers shall be statically and dynamically balanced. The complete fan assembly shall be test balanced at the operating speed prior to shipment.

SHAFT — Shafts shall be AISI 1040 or 1045 hot rolled steel, accurately turned, ground, polished and ring-gauged for accuracy. Shafts shall be sized for the first critical speed of at least 1.43 times the maximum speed.

BEARINGS — Bearings shall be heavy-duty, grease lubricated, spherical roller or adapter mounted anti-friction ball, self-aligning, pillow block type and selected for a minimum average bearing life (AFBMA L-50) in excess of 200,000 hours at the maximum fan RPM.

DRIVE — Motor sheaves shall be cast iron, variable pitch on applications 10 HP and smaller, and fixed pitch on 15 HP and larger. Drives and belts shall be located external to the fan casing and rated for 150% of the required motor HP.

FINISH AND COATING — The entire fan assembly, excluding the shaft, shall be properly washed and pretreated before application of a rust-preventative primer, if called out on the order. After the fan is completely assembled, a finish coat of paint shall be applied to the entire assembly, if called out on the order. The fan shaft shall be coated with a petroleum-based rust protectant.

ACCESSORIES — When specified, accessories such as belt guards, access doors, companion flanges, variable inlet vanes, outlet dampers, piezometer ring airflow measurement device, inlet boxes, shaft coolers, shaft seals, inlet screens, etc., shall be provided by Twin City Fan & Blower to maintain one source responsibility.

When specified, fans shall be supplied with internal or nested type variable inlet vanes for impeller diameters 16 $\frac{1}{2}$ " and larger. Cantilevered vane blades are to be used through Size 660 to minimize air performance insertion losses and noise. The operating mechanism shall be out of the inlet airstream. Double width fans shall have interconnecting linkage to ensure operation in unison.

FACTORY BALANCE AND RUN TESTING — All fan impellers shall be statically and dynamically balanced in accordance with ANSI/AMCA 204 "Balance Quality and Vibration Levels for Fans" to Fan Application Category BV-3. This corresponds to a Balance Quality Grade G6.3. All assembled fans are test run at the rated operating speed or at the maximum RPM of the fan. Vibration readings are recorded in the horizontal, vertical and axial directions on both bearings. Trim balancing is performed if necessary to maintain BV-3 vibration limits. Records shall be maintained and a written copy shall be available upon request.

INDUSTRIAL PROCESS AND COMMERCIAL VENTILATION SYSTEMS

CENTRIFUGAL FANS | UTILITY SETS | PLENUM & PLUG FANS | INLINE CENTRIFUGAL FANS
MIXED FLOW FANS | TUBEAXIAL & VANEAXIAL FANS | WALL MOUNTED FANS | ROOF VENTILATORS
CENTRIFUGAL ROOF & WALL EXHAUSTERS | CEILING VENTILATORS | GRAVITY VENTILATORS | DUCT BLOWERS
RADIAL BLADED FANS | RADIAL TIP FANS | HIGH EFFICIENCY INDUSTRIAL FANS | PRESSURE BLOWERS
LABORATORY EXHAUST FANS | FILTERED SUPPLY FANS | MANCOOLERS | FIBERGLASS FANS | CUSTOM FANS



TWIN CITY FAN & BLOWER
WWW.TCF.COM

5959 TRENTON LANE N. | MINNEAPOLIS, MN 55442 | PHONE: 763-551-7600 | FAX: 763-551-7601

©2001-2024 Twin City Fan Companies, Ltd., Minneapolis, MN. All rights reserved. Catalog illustrations cover the general appearance of Twin City Fan & Blower products at the time of publication and we reserve the right to make changes in design and construction at any time without notice.