

6375DC

Drainable Stationary Louver

Miami Dade Approved, AMCA Certified



APPLICATION

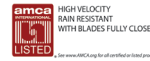
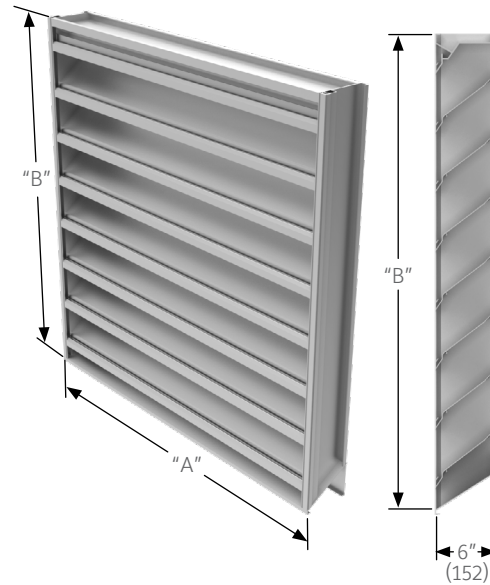
The 6375DC is a Miami Dade approved 6" extruded aluminum louver with drainable blades. Approved for use in open structures with provisions to manage weather infiltration. AMCA certified for Air and Water Penetration performance with 57% free area. Aluminum construction for low maintenance and high resistance to corrosion.

STANDARD CONSTRUCTION

Frame	Box frame, 6" (152) deep, 6063T6 extruded aluminum with .081" (2.1) nominal wall thickness. Downspouts and caulking surface provided. Universal Installation Frame: Same material and gauges as above with flange.
Blades	6063T6 extruded aluminum, .081" (2.1) nominal wall thickness. Drainable blades are positioned at 37 1/2° angle.
Screen	5/8" x .040" (16 x 1) expanded, flattened aluminum bird screen in removable frame.
Finish	Mill.
Approximate Shipping Weight	14 lbs./ft. (68 kg/perm')
Minimum Size	12"w x 12"h (305 x 305).
Maximum Size	Box Frame and Universal Installation Frame: 88"w x 120"h (2236 x 3048) factory assembly, unlimited width x 120"h (3048) field assembly. Maximum mullion spacing is 87 7/8". Sections may be stacked vertically with a suitable structural support designed and installed by others.
Installation	The 6375DC must be installed per the appropriate installation detail. Reference the appropriate separate installation instruction sheets.

FEATURES

- Box Frame construction for use in cast-in-place concrete, grout filled CMU, Wood and steel installations.
- Approved for use in open structures with provisions to manage weather infiltration (wet rooms).
- Maximum windload ± 148 PSF (7.08 kPa).
- 57% Free Area.
- Published performance rating based on testing in accordance with AMCA Publication 511 & 512.
- AMCA 540 Listed for Basic Protection.
- AMCA 550 High Velocity Wind-Driven Rain Resistant with Damper.
- Miami-Dade NOA Approval 20-01015.07, expires 7/09/26.



VARIATIONS

Variations to the basic design of these louvers are available at additional cost. They include:

- Universal Flange Frame.
- Optional finishes available at additional cost: prime coat, 50% PVDF (modified fluoropolymer), epoxy, Acrodize, 70% PVDF, clear and color anodize. (Some variations in anodize color consistency is possible.)
- Please provide Rough Opening Dimensions for A & B dimensions. Unless ordered as actual size, louvers will be provided smaller than the A & B dimensions provided. Universal Flange Frame louvers will be undersized 1/2" (13) from the rough opening dimensions provided. Louvers with the Box Frame will be undersized 1/2" (13) from the rough opening dimensions provided.

Consult Reliable for other special requirements.

Note:

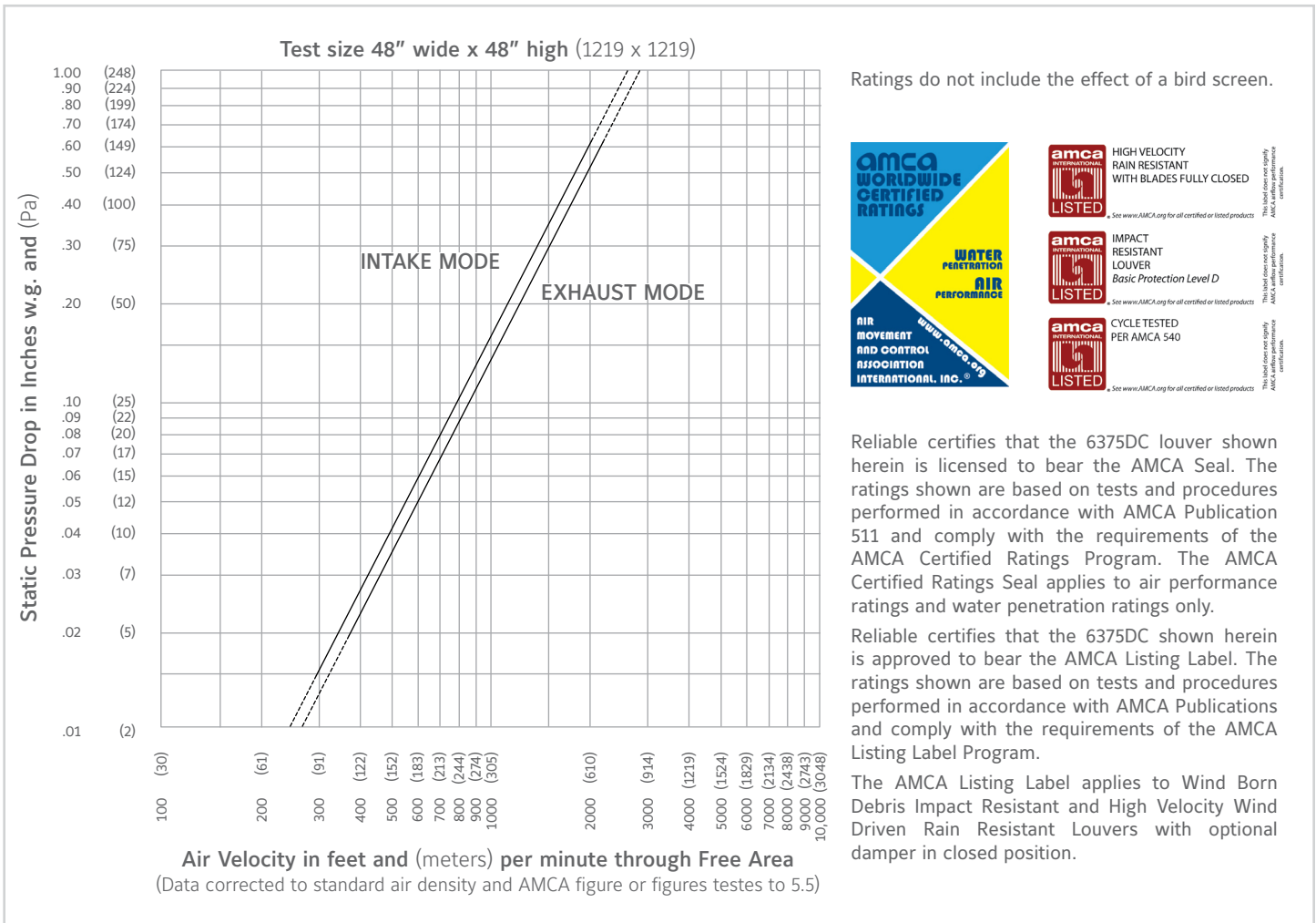
- Dimensions in inches, parenthesis () indicate millimeters.

FREE AREA GUIDE

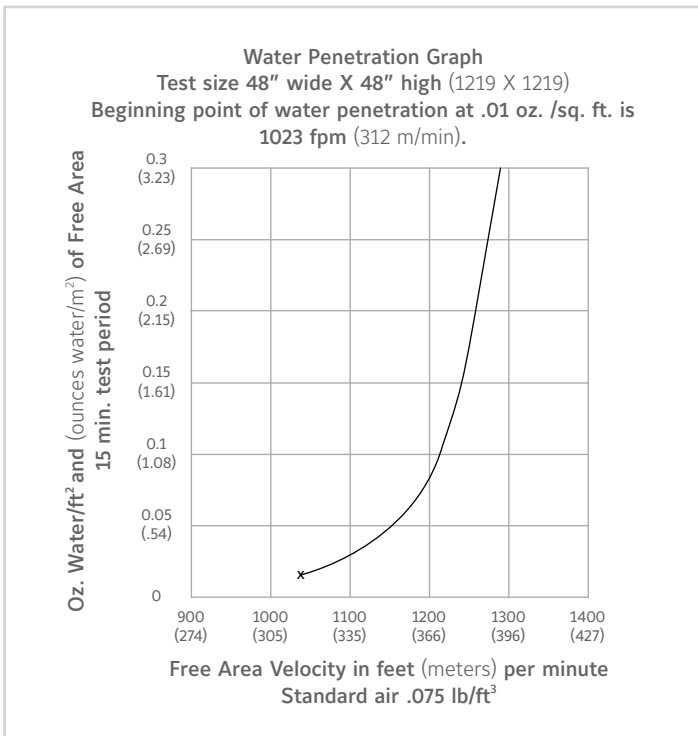
Free Area Guide shows free area in ft² and m² for various sizes of 6375DC.

		Width – Inches and Meters																			
		12	18	24	30	36	42	48	54	60	66	72	78	84	90	96	102	108	114	120	
Height – Inches and Meters	12	0.30	0.45	0.60	0.75	0.90	1.05	1.20	1.35	1.50	1.65	1.80	1.95	2.10	2.25	2.40	2.55	2.70	2.85	3.00	
	12	0.30	0.03	0.05	0.07	0.09	0.11	0.13	0.15	0.17	0.19	0.21	0.23	0.25	0.27	0.29	0.31	0.33	0.35	0.37	0.39
	18	0.45	0.06	0.09	0.13	0.16	0.20	0.23	0.27	0.30	0.34	0.37	0.41	0.44	0.48	0.51	0.55	0.58	0.62	0.65	0.69
	24	0.60	0.08	0.13	0.18	0.23	0.28	0.33	0.38	0.43	0.48	0.53	0.58	0.63	0.68	0.73	0.78	0.83	0.88	0.93	0.98
	30	0.75	0.11	0.17	0.24	0.30	0.37	0.43	0.50	0.56	0.63	0.69	0.76	0.82	0.89	0.95	1.02	1.08	1.15	1.21	1.28
	36	0.90	0.13	0.21	0.29	0.37	0.45	0.53	0.61	0.69	0.77	0.85	0.93	1.01	1.09	1.18	1.26	1.34	1.42	1.50	1.58
	42	1.05	0.16	0.25	0.35	0.44	0.54	0.63	0.73	0.82	0.92	1.01	1.11	1.21	1.30	1.40	1.49	1.59	1.68	1.78	1.87
	48	1.20	0.18	0.29	0.40	0.51	0.62	0.73	0.84	0.95	1.07	1.18	1.29	1.40	1.51	1.62	1.73	1.84	1.95	2.06	2.17
	54	1.35	0.21	0.33	0.46	0.58	0.71	0.83	0.96	1.09	1.21	1.34	1.46	1.59	1.71	1.84	1.96	2.09	2.21	2.34	2.46
	60	1.50	0.23	0.37	0.51	0.65	0.79	0.93	1.08	1.22	1.36	1.50	1.64	1.78	1.92	2.06	2.20	2.34	2.48	2.62	2.76
	66	1.65	0.26	0.41	0.57	0.72	0.88	1.04	1.19	1.35	1.50	1.66	1.81	1.97	2.12	2.28	2.43	2.59	2.74	2.90	3.05
	72	1.80	0.28	0.45	0.62	0.79	0.97	1.14	1.31	1.48	1.65	1.82	1.99	2.16	2.33	2.50	2.67	2.84	3.01	3.18	3.35
	78	1.95	0.31	0.49	0.68	0.86	1.05	1.24	1.42	1.61	1.79	1.98	2.16	2.35	2.53	2.72	2.90	3.09	3.27	3.46	3.65
	84	2.10	0.33	0.53	0.73	0.94	1.14	1.34	1.54	1.74	1.94	2.14	2.34	2.54	2.74	2.94	3.14	3.34	3.54	3.74	3.94
	90	2.25	0.36	0.57	0.79	1.01	1.22	1.44	1.65	1.87	2.08	2.30	2.51	2.73	2.94	3.16	3.37	3.59	3.81	4.02	4.24
	96	2.40	0.38	0.61	0.84	1.08	1.31	1.54	1.77	2.00	2.23	2.46	2.69	2.92	3.15	3.38	3.61	3.84	4.07	4.30	4.53
102	2.55	0.41	0.65	0.90	1.15	1.39	1.64	1.88	2.13	2.37	2.62	2.86	3.11	3.35	3.60	3.85	4.09	4.34	4.58	4.83	
108	2.70	0.43	0.69	0.96	1.22	1.48	1.74	2.00	2.26	2.52	2.78	3.04	3.30	3.56	3.82	4.08	4.34	4.60	4.86	5.12	
114	2.85	0.46	0.73	1.01	1.29	1.56	1.84	2.11	2.39	2.66	2.94	3.21	3.49	3.77	4.04	4.32	4.59	4.87	5.14	5.42	
120	3.00	0.48	0.77	1.07	1.36	1.65	1.94	2.23	2.52	2.81	3.10	3.39	3.68	3.97	4.26	4.55	4.84	5.13	5.42	5.71	

PRESSURE DROP



PERFORMANCE DATA



AMCA550 DAMPER OPTIONS

CONTROL DAMPER

4RAFBCD4 (Thin Line Control Damper)

(The 4RAFBCD4 combines the lowest leakage attainable-6cfm/sq.ft. at 4" w.g. with thin line, 4" overall depth when the damper is completely open.)

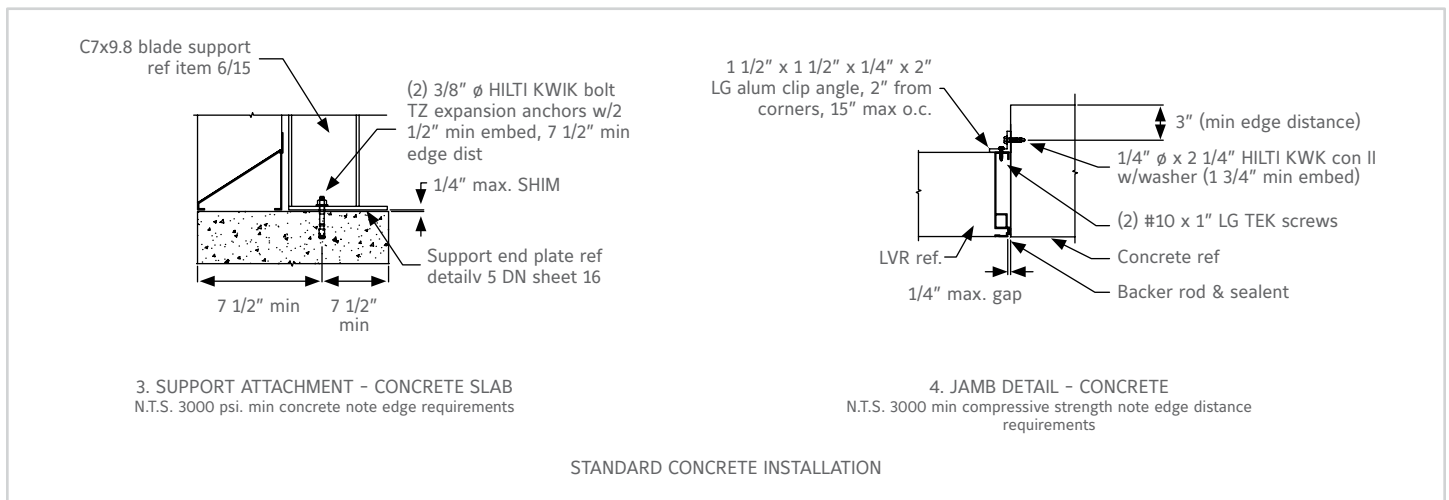
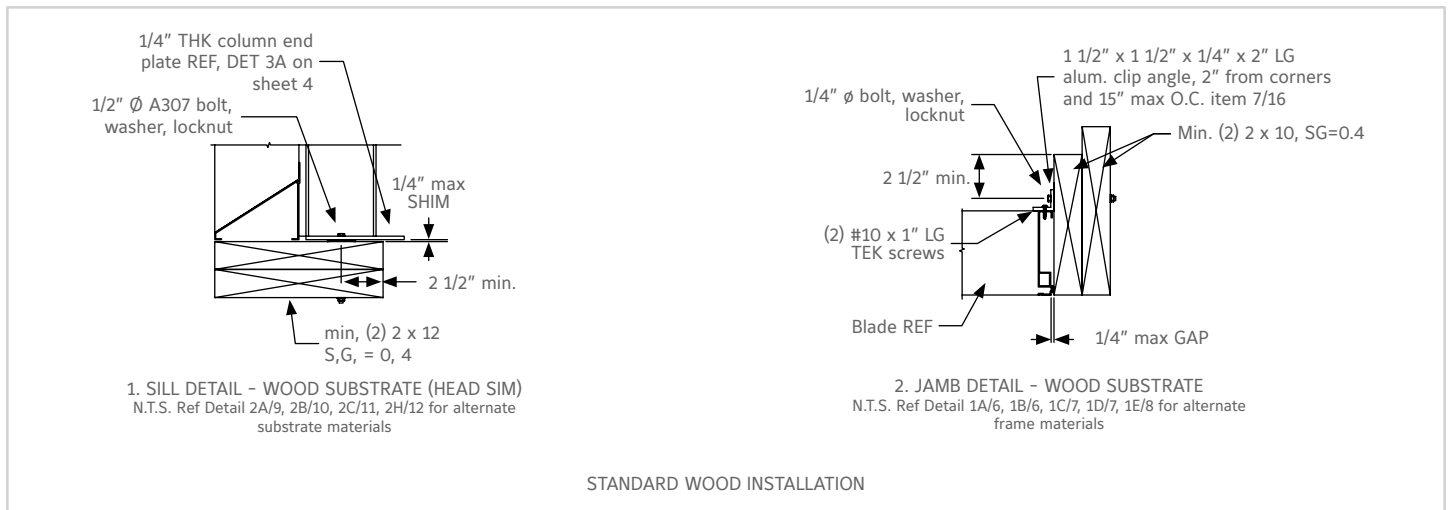
- Damper Frame and Blade Depth 4"
- Max Single Section 60"x72"
- Opposed Blade
- Mill Finish
- Factory-Installed, pneumatic and electric actuators
- SP100 Switch Package
- Jack shafted or Extended Shaft option
- Concealed Linkage

5RAFBCD6

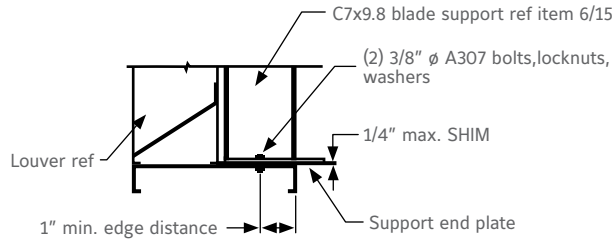
(The 5RAFBCD6 is a low Leak, extruded aluminum damper designed with air foil blades for higher velocities and pressure HVAC systems. It meets the leakage requirements of the International energy Conservation Code by leaking less than 3cfm.sq.ft. at 1" of static pressure and is AMCA licensed as a Class 1A damper)

- Air Leakage AMCA Class 1A
- Damper Frame Depth is 5" and Blade width is 6"
- Max Single Section 60"x72"
- Opposed Blade
- Mill Finish
- Factory-Installed, pneumatic and electric actuators
- SP100 Switch Package
- Jack shafted or Extended Shaft option
- Concealed Linkage

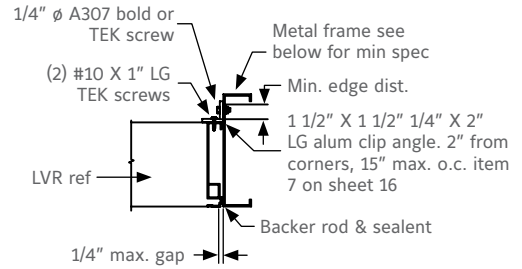
INSTALLATION DATA



INSTALLATION DATA

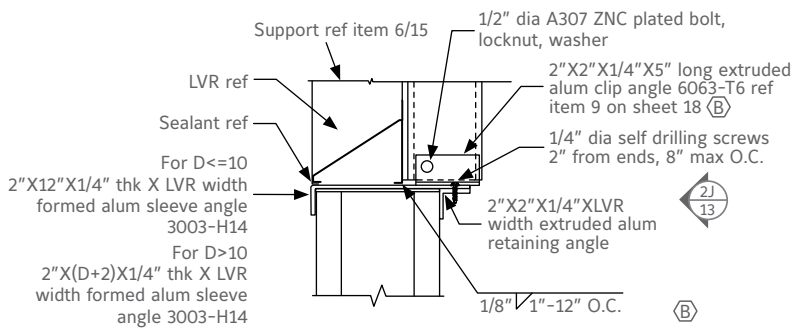


5. SUPPORT ATTACHMENT - METAL SUBSTRATE
N.T.S. 14 GA steel min. substrate thickness 1/8" thick alum min, substrate thickness sill shown, head sim

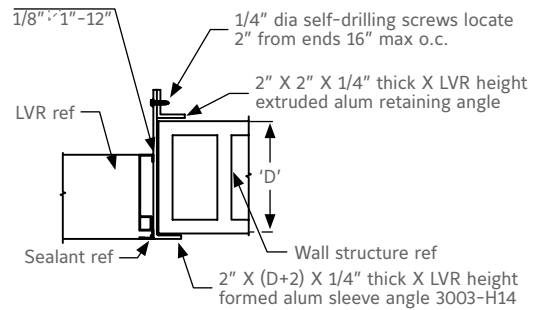


6. JAMB DET - METAL SUBSTRATE
N.T.S. 14 GA steel min. substrate 1/8" thick alum min. substrate

STANDARD STEEL INSTALLATION

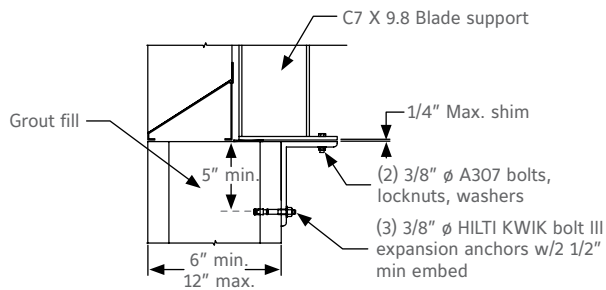


7. SUPPORT ATTACHMENT - UNIVERSAL SLEEVE
N.T.S.

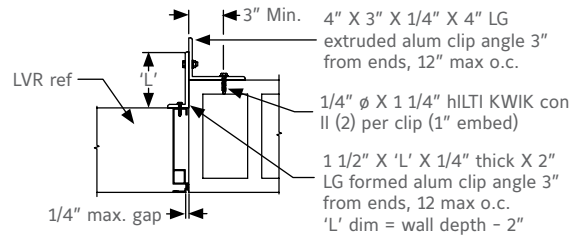


8. JAMB DET - UNIVERSAL SLEEVE
N.T.S.

STANDARD UNIVERSAL SLEEVE INSTALLATION



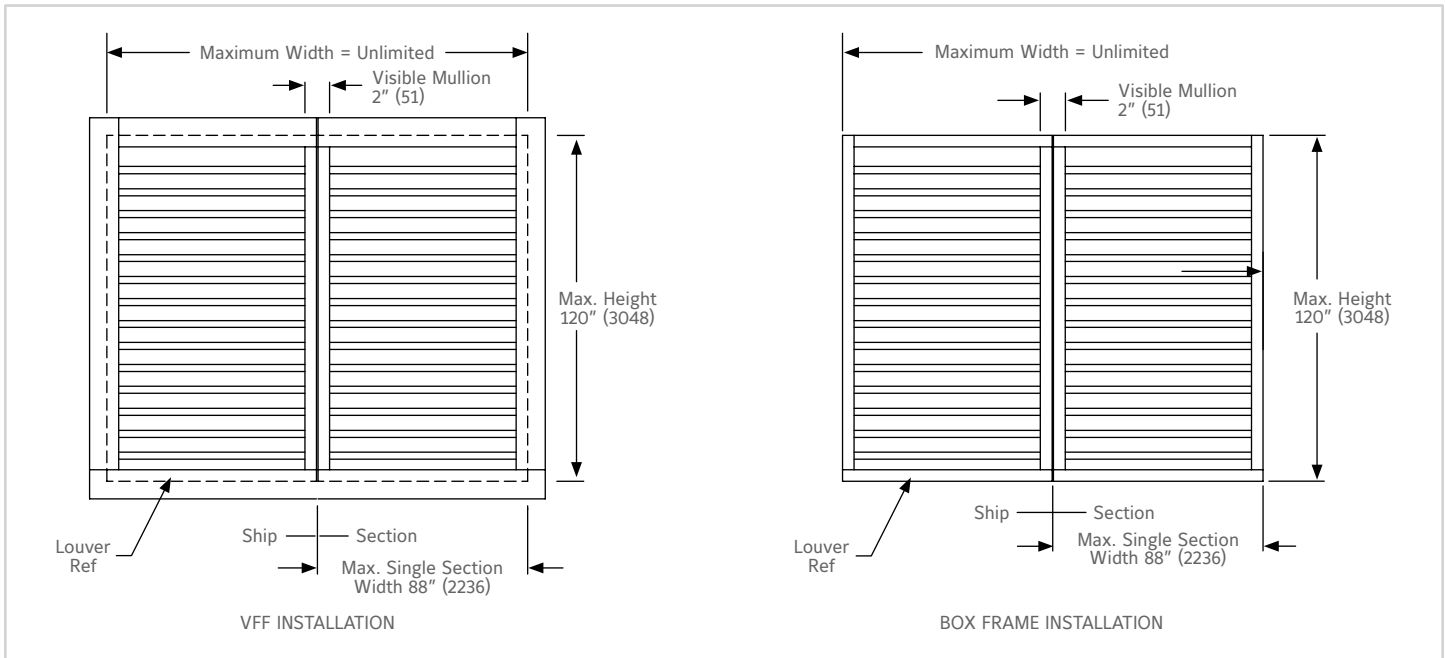
9. SUPPORT ATTACHMENT 6", 8", 10", 12" - CMU block
N.T.S. MIN PRISM STR OF 1500 PSI AT INSTALLATION TYPE I, N, LIGHT, MED, NORMAL WEIGHT ASTM C90 GROUT MUST COMPLY WITH FBC SECT 2103.12 TYPE N, S, OR M MORTAR PER FBC SECT 2103.8



10. JAMB DET - CMU
N.T.S. MIN PRISM STR OF 1500 PSI AT INSTALLATION TYPE I, N, LIGHT, MED, NORMAL WEIGHT ASTM C90 GROUT MUST COMPLY WITH FBC SECT 2103.12 TYPE N, S, OR M MORTAR PER FBC SECT 2103.8

STANDARD CMU WALL INSTALLATION

FRAME CONSTRUCTION ELEVATION



GENERAL NOTES:

1. Reference separate Installation Instruction sheets for installation details. Each frame style has a distinct installation method that must be compiled with for Miami-Dade Approval. It is the responsibility of the installing contractor to properly install the louvers per the appropriate detail.
2. On special orders, Reliable may provide submittal and/or shop drawings. Reference these drawings for additional installation information.
3. Continuous angles and fasteners supplied with UFF louvers are shipped loose.
4. Louvers may be provided with hidden vertical blade supports (HVBS) that increase overall installation depth by several inches. Consult Reliable Louver Engineering for exact HVBS depth.
5. Louvers wider than the maximum single section width will be shipped in multiple sections and will require field assembly.

SUGGESTED SPECIFICATION

Furnish and install louvers as hereinafter specified where shown on plans or as described in schedules. Drainable stationary louver meeting the performance criteria established by the Louvers shall be manufactured in an ISO 9001 certified factory.

Louvers shall be stationary type contained within a 6" (152) frame. Louver components (heads, jambs, sills, blades, and mullions) shall be factory assembled by the louver manufacturer. Louver sizes too large for shipping shall be built up by the contractor from factory assembled louver sections to provide overall sizes required.

Louvers shall be Reliable Model 6375DC construction as follows:

Material

Frame: .081" (2.1) aluminum channel.

Blades: .081" (2.1) nominal wall thickness.

Screen: 5/8" mesh x .040" (16 x 1) expanded flattened aluminum bird screen in removable frame. Drainable blades are positioned at 37 1/2°.

Finish: Select finish specification from Reliable Finishes Brochure.

Published louver performance data bearing the AMCA Certified Ratings Seal for Air Performance and Water Penetration must be submitted for approval prior to fabrication and must demonstrate pressure drop equal to or less than the Reliable model specified.

Structural Design

Integral structural supports shall be designed and furnished by the louver manufacturer to carry a wind load of not less than ±148 psf (7.08 kPa).

LINKS TO IMPORTANT DOCUMENTS

Document Title

Finishes and Color Guide

Limited Warranty Document

RELIABLE

1300 Enterprise Road, P.O. Box
580, Geneva, Alabama 36340
Tel: 334-684-3621
Tel: 800-624-3914
Fax: 800-508-1469