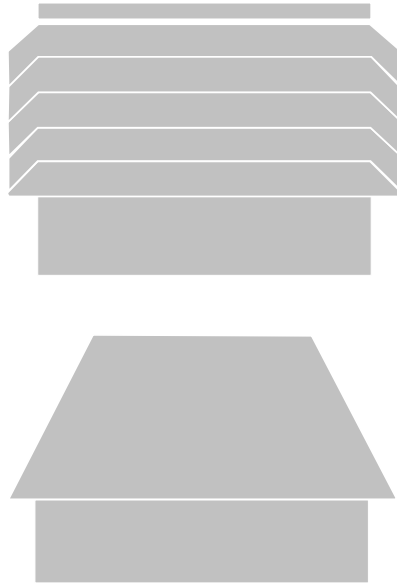


LC

Low Contour Power Roof Ventilators



	Page
Introduction	2
Standard Construction Features	3
Specifications and Dimension Data	
TLC-D (Tiered Low-Contour Power Roof Ventilator - Direct Drive)	4
TLC-B (Tiered Low-Contour Power Roof Ventilator - Belt Drive)	5
HLC-D (Hooded Low-Contour Power Roof Ventilator - Direct Drive)	6
HLC-B (Hooded Low-Contour Power Roof Ventilator - Belt Drive)	7
Accessories	8-11
Performance and Sound Data	
70-180 TLC-D	12-13
100-540 TLC-B	14-25
70-180 HLC-D	26-27
100-540 HLC-B	28-39
Other Available Products	40

INTRODUCTION

Loren Cook Company's LC Power Roof Ventilators have been designed to provide a low silhouette for clean architectural lines.

TLC

Tiered Centrifugal Exhaust Ventilator



- Constructed with extruded aluminum louvered design that is architecturally pleasing.
- TLC is available in 8 direct drive sizes and 18 belt drive sizes. Capacities range from 100 to 43,500, with static pressure from 0 to 2 inches.

HLC

Hooded Centrifugal Exhaust Ventilator

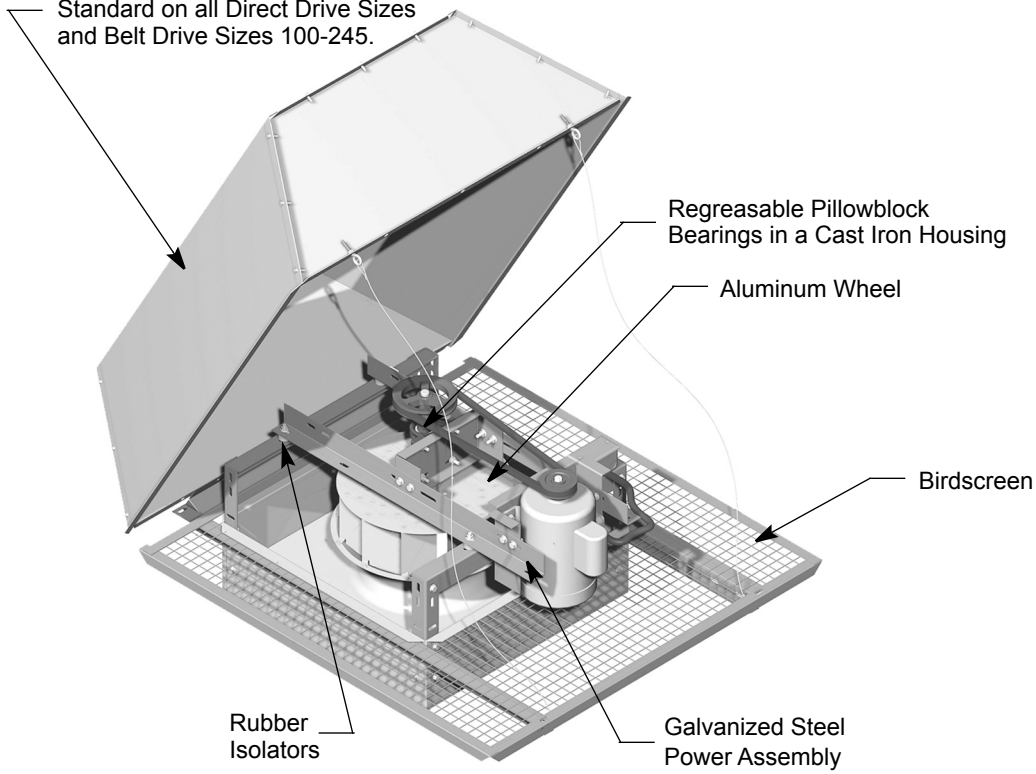


- HLC-D, sizes 70-180, and the HLC-B, sizes 100-245 are constructed with a hinged aluminum hood. HLC-B, size 270-540 aluminum hood is designed with a removable top for easy access.
- HLC is available in 8 direct drive sizes and 18 belt drive sizes. Capacities range from 100 to 42,600, with static pressure from 0 to 2 inches.

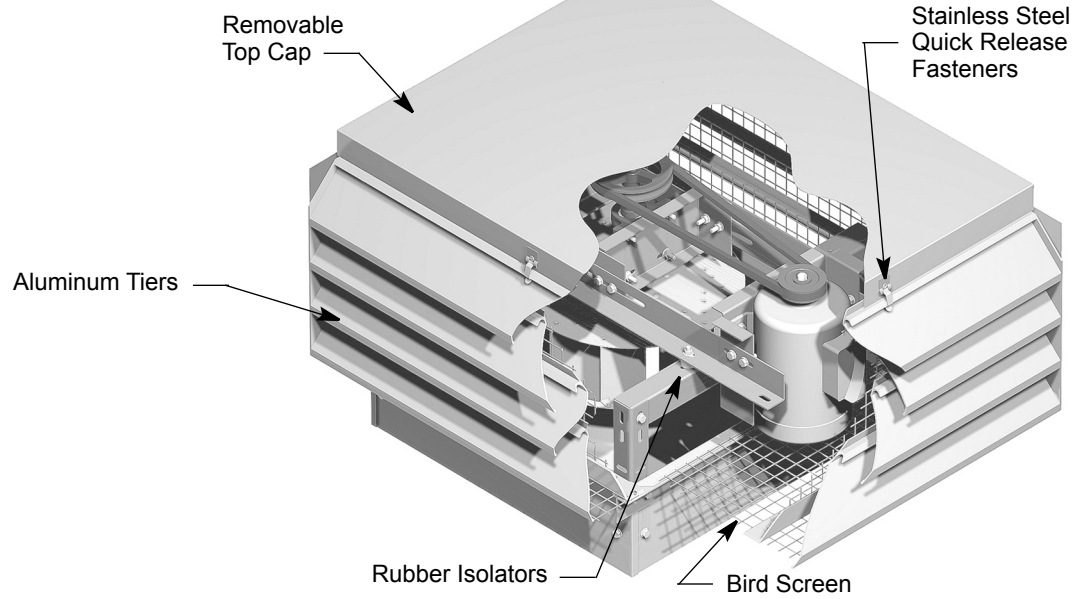
STANDARD CONSTRUCTION FEATURES

HLC

Hinged Hood (Aluminum)
Standard on all Direct Drive Sizes
and Belt Drive Sizes 100-245.



TLC



TLC-D Specifications and Dimension Data

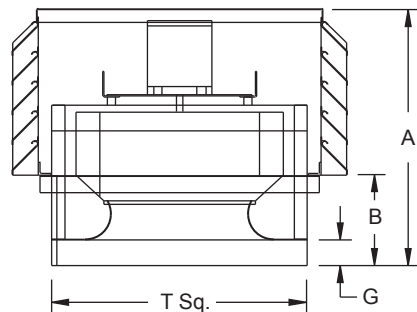
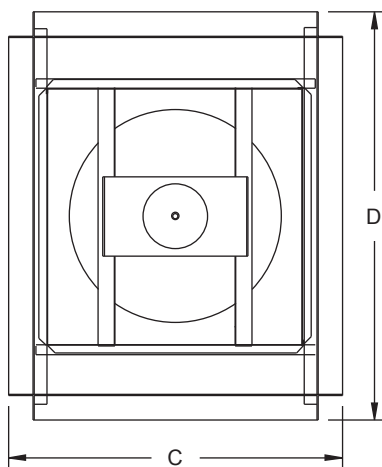
Tiered Low-Contour Power Roof Ventilator Direct Drive



Loren Cook Company certifies that the TLC-D shown herein is licensed to bear the AMCA Seal. The ratings shown are based on tests and procedures performed in accordance with AMCA Publication 211 and AMCA Publication 311 and comply with the requirements of the AMCA Certified Ratings Program.



Type TLC-D is furnished standard with UL 705 and cUL 705 listing (Power Ventilator/ZACT) when furnished with factory supplied motor.



Description - Fan shall be a tiered aluminum, low profile, roof mounted, direct driven, downblast centrifugal exhaust ventilator.

Certifications - Fan shall be manufactured at an ISO 9001 certified facility. Fan shall be listed by Underwriters Laboratories (UL 705) and UL listed for Canada (cUL 705). Fan shall bear the AMCA Certified Ratings Seal for Sound and Air Performance.

Construction - The fan shall be of bolted and welded construction utilizing corrosion resistant fasteners. The fan shall be enclosed in a tiered extruded aluminum housing. The aluminum base shall have continuously welded curb cap corners for maximum leak protection. Motor shall be mounted on a minimum 12 gauge steel power assembly, isolated from the unit structure with rubber vibration isolators. Unit shall bear an engraved aluminum nameplate. Nameplate shall indicate design CFM and static pressure. Unit shall be shipped in ISTA Certified Transit Tested Packaging.

Wheel - Wheel shall be centrifugal backward inclined, constructed of 100% aluminum, including a precision machined cast aluminum hub. An aerodynamic aluminum inlet cone shall be provided for maximum performance and efficiency. Wheel shall be balanced in accordance with AMCA Standard 204-05, Balance Quality and Vibration Levels for Fans.

Motor - Motor shall be heavy duty type with permanently lubricated sealed bearings and furnished at the specified voltage, phase and enclosure.

Product - Fan shall be model TLC-D as manufactured by Loren Cook Company of Springfield, Missouri.

TLC-D Dimension Data

Size	A Dia.	B	C	D	G	T Sq.	Approx. Ship. Wt. - Lbs.	Roof Opening Sq.*
70	16-7/8	4-1/4	27-1/2	36-1/4	2	18	75	13-1/2
90	17-3/8	4-3/4	27-1/2	36-1/4	2	18	80	13-1/2
100	17-3/8	4-3/4	27-1/2	36-1/4	2	18	80	13-1/2
120	22-1/2	5-7/8	29-1/2	37-1/4	2	20	170	15-1/2
135	22-3/4	6-1/8	29-1/2	37-1/4	2	20	170	15-1/2
150	23-7/8	7-1/4	33-1/2	42-1/4	2	24	200	19-1/2
165	24	7-3/8	33-1/2	42-1/4	2	24	200	19-1/2
180	28-3/8	8-1/4	39-5/8	51-1/2	3	30	240	25-1/2

All dimensions in inches. Weights in pounds. *Roof opening size for curbs supplied by Loren Cook Company only.

Description - Fan shall be a tiered aluminum, low profile, roof mounted, belt driven, centrifugal exhaust ventilator.

Certifications - Fan shall be manufactured at an ISO 9001 certified facility. Fan shall be listed by Underwriters Laboratories (UL 705) and UL listed for Canada (cUL 705). Fan shall bear the AMCA Certified Ratings Seal for Sound and Air Performance.

Construction - The fan shall be of bolted and welded construction utilizing corrosion resistant fasteners. The fan shall be enclosed in a tiered extruded aluminum housing. The aluminum base shall have continuously welded curb cap corners for maximum leak protection. Bearings, drives and motor shall be mounted on a minimum 12 gauge steel power assembly, isolated from the unit structure with rubber vibration isolators. Unit shall bear an engraved aluminum nameplate. Nameplate shall indicate design CFM, static pressure and maximum fan RPM. Unit shall be shipped in ISTA Certified Transit Tested Packaging.

Wheel - Wheel shall be centrifugal backward inclined, constructed of 100% aluminum, including a precision machined cast aluminum hub. Wheel inlet shall overlap an aerodynamic aluminum inlet cone to provide maximum performance and efficiency. Wheel shall be balanced in accordance with AMCA Standard 204-05, Balance Quality and Vibration Levels for Fans.

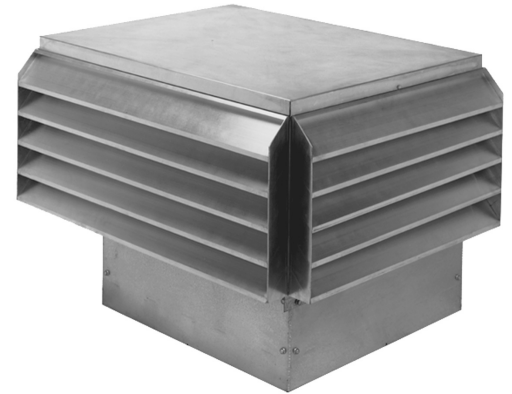
Motor - Motor shall be Nema design B with class B insulation rated for continuous duty and furnished at the specified voltage, phase and enclosure.

Bearings - Bearings shall be designed and individually tested specifically for use in air handling applications. Construction shall be heavy duty regreasable ball type in a cast iron housing selected for a minimum L50 life in excess of 200,000 hours at maximum cataloged operating speed.

Belts and Drives - Belts shall be oil and heat resistant, non-static type. Drives shall be precision machined cast iron type, keyed and securely attached to the wheel and motor shafts. Drives shall be sized for 150% of the installed motor horsepower. The variable pitch motor drive must be factory set to the specified fan RPM.

Product - Fan shall be model TLC-B as manufactured by Loren Cook Company of Springfield, Missouri.

Tiered Low-Contour Power Roof Ventilator Belt Drive



Loren Cook Company certifies that the TLC-B shown herein is licensed to bear the AMCA Seal. The ratings shown are based on tests and procedures performed in accordance with AMCA Publication 211 and AMCA Publication 311 and comply with the requirements of the AMCA Certified Ratings Program.

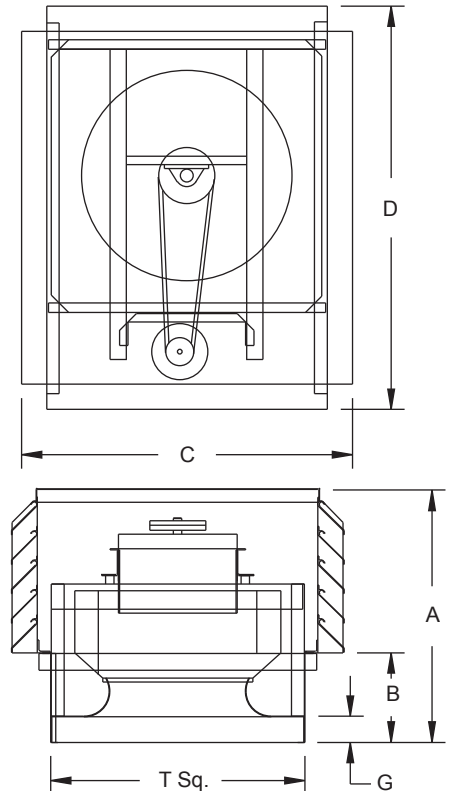


Type TLC-B is furnished standard with UL 705 and cUL 705 listing (Power Ventilator/ZACT) when furnished with factory supplied motor.

TLC-B Dimension Data

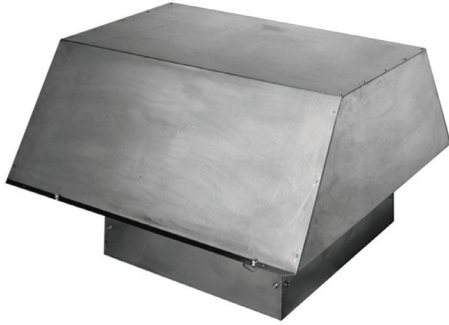
Size	A	B	C	D	G	T Sq.	Approx. Ship Wt.** Lbs.	Roof Opening Sq.*
100	17-7/8	5-1/4	27-1/2	36-1/4	2	18	77	13-1/2
120	22-1/2	5-7/8	29-1/2	37-1/4	2	20	175	15-1/2
135	22-3/4	5-7/8	29-1/2	37-1/4	2	20	175	15-1/2
150	23-7/8	7-3/8	33-1/2	42-1/4	2	24	205	19-1/2
165	24	7-3/8	33-1/2	42-1/4	2	24	205	19-1/2
180	28-3/8	8-1/4	39-5/8	51-1/2	3	30	245	25-1/2
195	29-1/8	9-1/4	39-5/8	51-1/2	3	30	245	25-1/2
210	29-3/8	9-1/4	39-5/8	51-1/2	3	30	280	25-1/2
225	30-1/8	10	39-5/8	51-1/2	3	30	285	25-1/2
245	30-3/4	10-5/8	39-5/8	51-1/2	3	30	290	25-1/2
270	34-5/8	11	45-7/8	60-1/4	3	36	385	31-1/2
300	35-3/4	12-1/8	45-7/8	60-1/4	3	36	405	31-1/2
330	40-1/4	13-1/8	53	66-1/4	3	42	475	37-1/2
365	41-1/8	14	53	66-1/4	3	42	485	37-1/2
402	48-3/8	14-1/4	59	73-1/4	3	48	565	43-1/2
445	49-5/8	16-1/2	65	79-1/4	3	54	635	49-1/2
490	51-1/8	18	65	79-1/4	3	54	635	49-1/2
540	49-3/4	13-5/8	77	91-1/4	3	66	790	61-1/2

All dimensions in inches. Weights in pounds, less motor. *Roof opening size for curbs supplied by Loren Cook Company only. **Less motor and drives.



HLC-D Specifications and Dimension Data

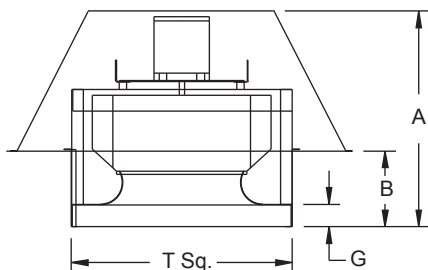
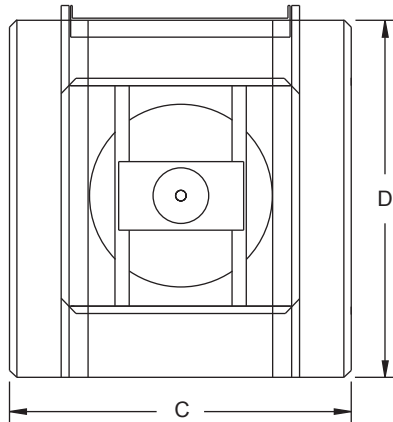
Hooded Low-Contour Power Roof Ventilator Direct Drive



Loren Cook Company certifies that the HLC-D shown herein is licensed to bear the AMCA Seal. The ratings shown are based on tests and procedures performed in accordance with AMCA Publication 211 and AMCA Publication 311 and comply with the requirements of the AMCA Certified Ratings Program.



Type HLC-D is furnished standard with UL 705 and cUL 705 listing (Power Ventilator/ZACT) when furnished with factory supplied motor.



Description - Fan shall be a hooded, low profile, roof mounted, direct driven, down-blast centrifugal exhaust ventilator.

Certifications - Fan shall be manufactured at an ISO 9001 certified facility. Fan shall be listed by Underwriters Laboratories (UL 705) and UL listed for Canada (cUL 705). Fan shall bear the AMCA Certified Ratings Seal for Sound and Air Performance.

Construction - The fan shall be of bolted and welded construction utilizing corrosion resistant fasteners. The fan shall be enclosed with a minimum .064 aluminum hood bolted to the fan housing. The hood shall be removable to allow unobstructed access to the motor and power assembly. The aluminum base shall have continuously welded curb cap corners for maximum leak protection. Motor shall be mounted on a minimum 12 gauge steel power assembly, isolated from the unit structure with rubber vibration isolators. Unit shall bear an engraved aluminum nameplate. Nameplate shall indicate design CFM and static pressure. Unit shall be shipped in ISTA Certified Transit Tested Packaging.

Wheel - Wheel shall be centrifugal backward inclined, constructed of 100% aluminum, including a precision machined cast aluminum hub. An aerodynamic aluminum inlet cone shall be provided for maximum performance and efficiency. Wheel shall be balanced in accordance with AMCA Standard 204-05, Balance Quality and Vibration Levels for Fans.

Motor - Motor shall be heavy duty type with permanently lubricated sealed bearings and furnished at the specified voltage, phase and enclosure.

Product - Fan shall be model HLC-D as manufactured by Loren Cook Company of Springfield, Missouri.

HLC-D Dimension Data

Size	A	B	C	D	G	T Sq.	Shipping Weight Lbs.	Roof Opening Sq.*
70	16-1/2	4-1/4	31-1/4	34-1/8	2	18	70	13-1/2
90	17	4-3/4	31-1/4	34-1/8	2	18	85	13-1/2
100	17	4-3/4	31-1/4	34-1/8	2	18	85	13-1/2
120	19-5/8	5-7/8	34-3/4	35-1/8	2	20	165	15-1/2
135	19-7/8	6-1/8	34-3/4	35-1/8	2	20	165	15-1/2
150	21-1/4	7-1/4	40-1/8	42-1/8	2	24	190	19-1/2
165	21-3/8	7-3/8	40-1/8	42-1/8	2	24	190	19-1/2
180	26-1/4	8-1/4	43-7/8	47-1/8	3	30	220	25-1/2

All dimensions in inches. Weights in pounds. *Roof opening size for curbs supplied by Loren Cook Company only.

Description - Fan shall be a hooded, low profile, roof mounted, belt driven, down-blast centrifugal exhaust ventilator.

Certifications - Fan shall be manufactured at an ISO 9001 certified facility. Fan shall be listed by Underwriters Laboratories (UL 705) and UL listed for Canada (cUL 705). Fan shall bear the AMCA Certified Ratings Seal for Sound and Air Performance.

Construction - The fan shall be of bolted and welded construction utilizing corrosion resistant fasteners. The fan shall be enclosed with a minimum .064 aluminum hood bolted to the fan housing. The hood shall be removable to allow unobstructed access to the motor and power assembly. The aluminum base shall have continuously welded curb cap corners for maximum leak protection. Bearings and drives shall be mounted on a minimum 12 gauge steel power assembly, isolated from the unit structure with rubber vibration isolators. Unit shall bear an engraved aluminum nameplate. Nameplate shall indicate design CFM, static pressure and maximum fan RPM. Unit shall be shipped in ISTA Certified Transit Tested Packaging.

Wheel - Wheel shall be centrifugal backward inclined, constructed of 100% aluminum, including a precision machined cast aluminum hub. Wheel inlet shall overlap an aerodynamic aluminum inlet cone to provide maximum performance and efficiency. Wheel shall be balanced in accordance with AMCA Standard 204-05, Balance Quality and Vibration Levels for Fans.

Motor - Motor shall be Nema design B with class B insulation rated for continuous duty and furnished at the specified voltage, phase and enclosure.

Bearings - Bearings shall be designed and individually tested specifically for use in air handling applications. Construction shall be heavy duty regreasable ball type in a cast iron housing selected for a minimum L50 life in excess of 200,000 hours at maximum cataloged operating speed.

Belts and Drives - Belts shall be oil and heat resistant, non-static type. Drives shall be precision machined cast iron type, keyed and securely attached to the wheel and motor shafts. Drives shall be sized for 150% of the installed motor horsepower. The variable pitch motor drive must be factory set to the specified fan RPM.

Product - Fan shall be model HLC-B as manufactured by Loren Cook Company of Springfield, Missouri.

Hooded Low-Contour Power Roof Ventilator Belt Drive



Loren Cook Company certifies that the HLC-B shown herein is licensed to bear the AMCA Seal. The ratings shown are based on tests and procedures performed in accordance with AMCA Publication 211 and AMCA Publication 311 and comply with the requirements of the AMCA Certified Ratings Program.

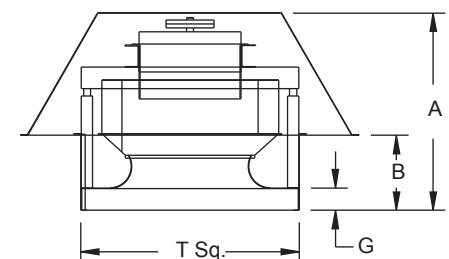
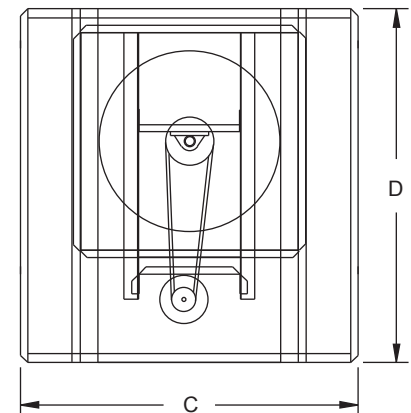


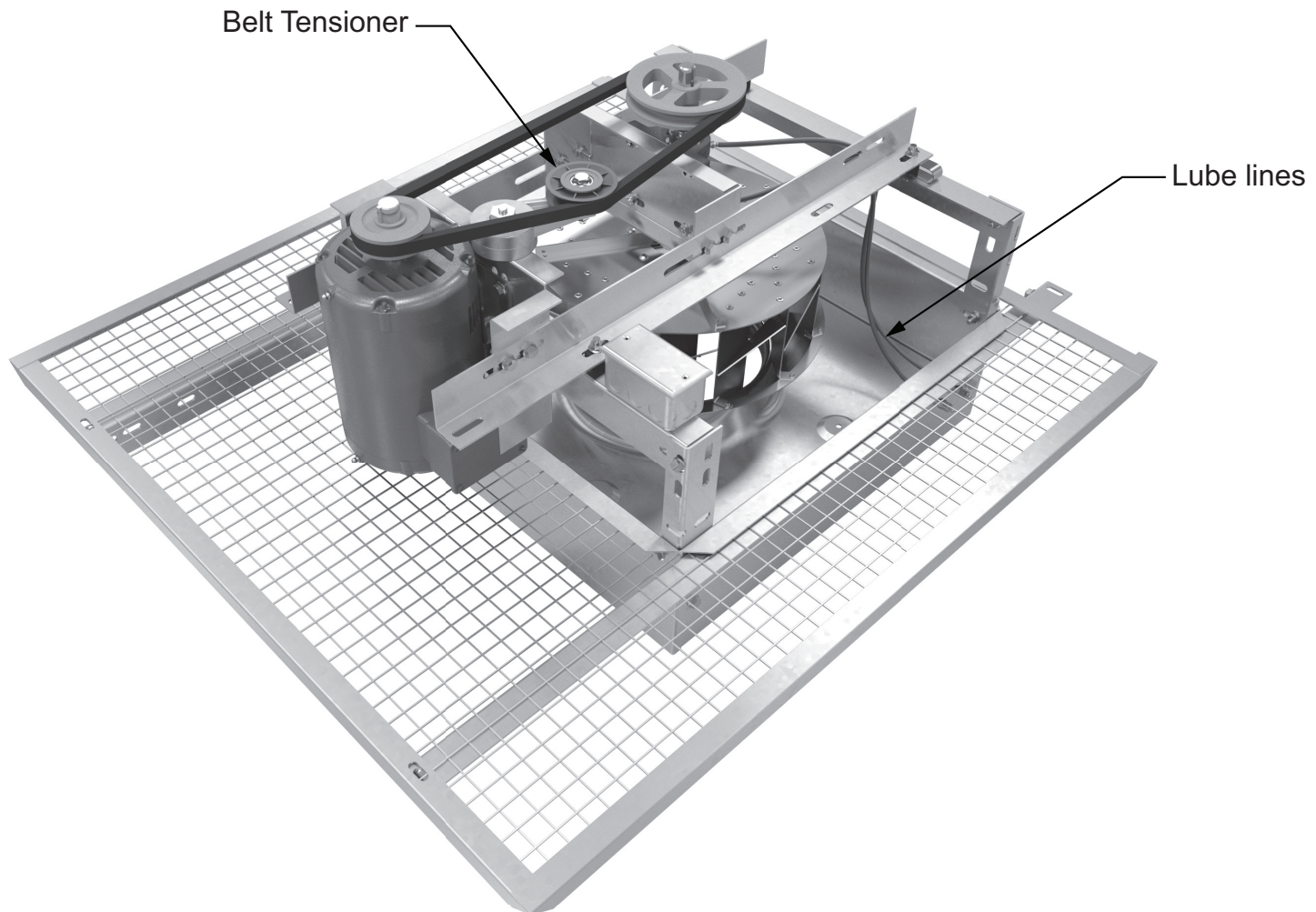
Type HLC-B is furnished standard with UL 705 and cUL 705 listing (Power Ventilator/ZACT) when furnished with factory supplied motor.

HLC-B Dimension Data

Size	A	B	C	D	G	T Sq.	Approx. Ship Wt.** Lbs.	Roof Opening Sq.*
100	17-1/2	5-1/4	31-1/4	34-1/8	2	18	70	13-1/2
120	19-5/8	5-7/8	34-3/4	35-1/8	2	20	170	15-1/2
135	19-7/8	5-7/8	34-3/4	35-1/8	2	20	170	15-1/2
150	21-1/4	7-3/8	40-1/8	42-1/8	2	24	195	19-1/2
165	21-3/8	7-3/8	40-1/8	42-1/8	2	24	195	19-1/2
180	26-1/4	8-1/4	43-7/8	47-1/8	3	30	225	25-1/2
195	27	9-1/4	43-7/8	47-1/8	3	30	225	25-1/2
210	28-1/4	9-1/4	46-5/8	49-1/8	3	30	260	25-1/2
225	29	10	46-5/8	49-1/8	3	30	265	25-1/2
245	29-5/8	10-5/8	46-5/8	49-1/8	3	30	275	25-1/2
270	32-1/4	11	58-1/8	58-1/8	3	36	365	31-1/2
300	33-3/8	12-1/8	58-1/8	58-1/8	3	36	375	31-1/2
330	35-3/8	13-1/8	65	65	3	42	435	37-1/2
365	36-1/4	14	65	65	3	42	450	37-1/2
402	43-1/2	14-1/4	82-7/8	78-1/8	3	48	540	43-1/2
445	44-3/4	16-1/2	82-7/8	78-1/8	3	54	600	49-1/2
490	46-1/4	18	82-7/8	78-1/8	3	54	625	49-1/2
540	45-7/8	13-5/8	96	98	3	66	750	61-1/2

All dimensions in inches. *Roof opening size for curbs supplied by Loren Cook Company only. **Less motor and drives.





Automatic Belt Tensioner

Proper Belt Tension

Cook's automatic belt tensioner eliminates the need for regular manual retensioning of fan belts. The Risk of inadvertently over-tensioning drive components is avoided and overall drive operating efficiency is enhanced.

Longer Belt Life

Engineering studies indicate properly tensioned belts can operate at 15° to 20° F cooler internal temperature than poorly tensioned belts. A drive belt industry rule of thumb is that 18° F increase in internal temperature will reduce belt life by 50%. The automatic belt tensioner will easily double belt life compared to installations where belt is not properly maintained.

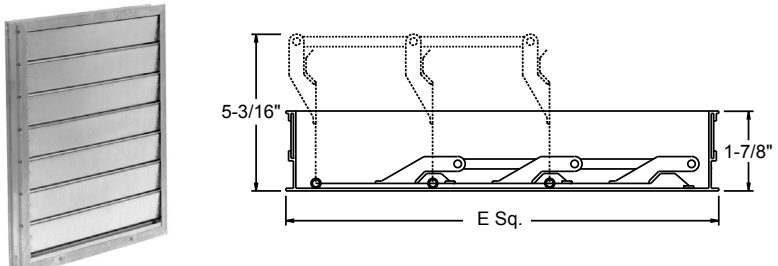
Longer Bearing Life and Smoother Running Fans

Too much belt tension can reduce the life of both the fan and motor bearings. The Cook automatic belt tensioner will assure proper belt tension throughout the life of the fan; maximizing bearing life and fan reliability.

Extended Lube Lines

Cook's extended lube lines provide an external location to easily lubricate the internal bearings of the unit. This allows for maintenance of the unit without the need of tools. Extended lube lines are factory pre-charged with lubricant. They come assembled to the bearing and housing utilizing corrosion resistant brass fittings. Bearings should be lubricated in accordance with the lubrication intervals chart in the Installation, Operation, and Maintenance manual. Standard lines are high pressure polyethylene tubing for ambient air. Optional copper and stainless steel are available.

Gravity Backdraft Damper

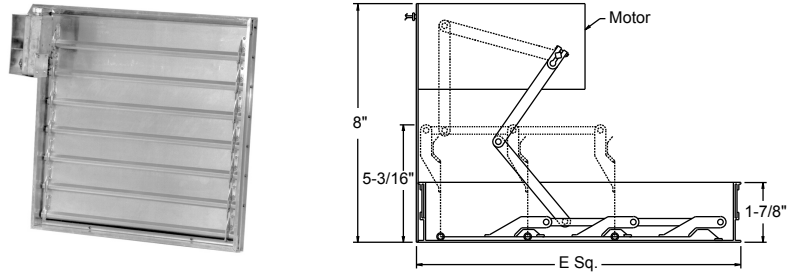


Gravity dampers feature an extruded aluminum frame, aluminum blades and aluminum hinge pins with nylon bushings.

Unit Size	Catalog Number	E Sq.
60, 70, 80, 90, 100	BD-12	11-3/4
120, 135	BD-14	13-3/4
150, 165	BD-18	17-3/4
180, 195, 210, 225, 245	BD-24	23-3/4
270, 300	BD-30	29-3/4
330, 365	BD-36	35-3/4
402	BD-42	41-3/4
445, 490	BD-48	47-3/4
540	BD-60	59-3/4

All dimensions in inches.

Motorized Backdraft Damper

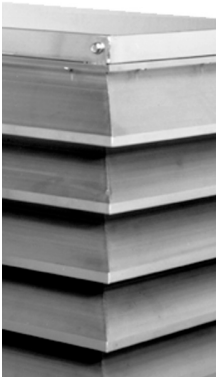


Motorized dampers feature an extruded aluminum frame, aluminum blades and aluminum hinge pins with nylon bushings. Motors are shipped loose for field installation. Available voltages include 110V, 220V, and 440V.

Unit Size	Catalog Number	E Sq.
60, 70, 80, 90, 100	BDM-12	11-3/4
120, 135	BDM-14	13-3/4
150, 165	BDM-18	17-3/4
180, 195, 210, 225, 245	BDM-24	23-3/4
270, 300	BDM-30	29-3/4
330, 365	BDM-36	35-3/4
402	BDM-42	41-3/4
445, 490	BDM-48	47-3/4
540	BDM-60	59-3/4

All dimensions in inches.

Mitered Corners



Mitered corners are available on the TLC to enhance the architectural look of the fan.

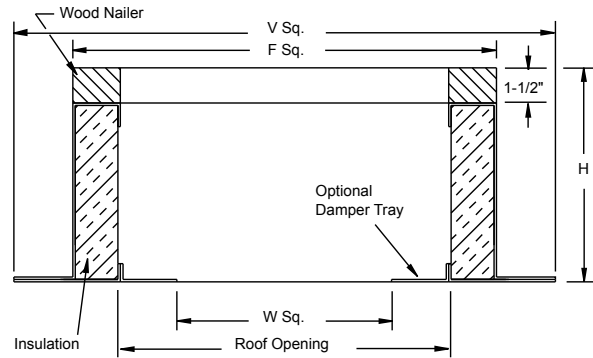
Typical Disconnect Switches



- NEMA 1** - Indoor general purpose.
- NEMA 1 (Lockable)** - Indoor general purpose with locking capability.
- NEMA 1 (Heavy Duty, Lockable)** - Indoor heavy duty visible blade.
- NEMA 3R** - Exterior mount, rain-tight.
- NEMA 4** - Water-tight and dust-tight.
- NEMA 7 and NEMA 9** - Lockable, indoor, explosion proof.

ACCESSORIES

Roof Curb



Standard Construction Features

- 18 gauge galvanized steel (RCG) or .080 aluminum (RCA).
- 1-1/2", 3 lbs. density thermal and acoustical insulation.
- Continuously welded corners.
- Wood nailer.

Options

- Damper tray.
- No wood nailer (deduct 1-1/2" for actual height).
- 13-1/2" tall construction.

Galvanized Steel or Aluminum Roof Curb Dimension Data

Unit Size	Catalog Number		F Sq.	H	V Sq.	W Sq.	Roof Opening
	Galvanized	Aluminum					
60, 70, 80, 90, 100	RCG-16	RCA-16	16-1/2	9-1/2	20-1/2	9-3/4	13-1/2
120, 135	RCG-18	RCA-18	18-1/2	9-1/2	22-1/2	11-3/4	15-1/2
150,165	RCG-22	RCA-22	22-1/2	9-1/2	26-1/2	15-3/4	19-1/2
180, 195, 210, 225, 245	RCG-28	RCA-28	28-1/2	9-1/2	32-1/2	21-3/4	25-1/2
270, 300	RCG-34	RCA-34	34-1/2	9-1/2	38-1/2	27-3/4	31-1/2
330, 365	RCG-40	RCA-40	40-1/2	9-1/2	44-1/2	33-3/4	37-1/2
402	RCG-46	RCA-46	46-1/2	9-1/2	50-1/2	39-3/4	43-1/2
445, 490	RCG-52	RCA-52	52-1/2	9-1/2	56-1/2	45-3/4	49-1/2
540	RCG-64	RCA-64	64-1/2	9-1/2	68-1/2	56-3/4	61-1/2

All dimensions in inches. When motor operated damper is used, a wood nailer is required. Roof curb is not hurricane resistant rated.

Sound Attenuator Curb Dimension Data

Unit Size	Catalog Number		F Sq.	H*	V Sq.	W Sq.	Roof Opening
	Galvanized	Aluminum					
60, 70, 80, 90, 100	RCG-AT-16	RCA-AT-16	16-1/2	16	20-1/2	9-3/4	13-1/2
120, 135	RCG-AT-18	RCA-AT-18	18-1/2	16	22-1/2	11-3/4	15-1/2
150,165	RCG-AT-22	RCA-AT-22	22-1/2	16	26-1/2	15-3/4	19-1/2
180, 195, 210, 225, 245	RCG-AT-28	RCA-AT-28	28-1/2	16	32-1/2	21-3/4	25-1/2
270, 300	RCG-AT-34	RCA-AT-34	34-1/2	16	38-1/2	27-3/4	31-1/2
330, 365	RCG-AT-40	RCA-AT-40	40-1/2	16	44-1/2	33-3/4	37-1/2
402	RCG-AT-46	RCA-AT-46	46-1/2	16	50-1/2	39-3/4	43-1/2
445, 490	RCG-AT-52	RCA-AT-52	52-1/2	16	56-1/2	45-3/4	49-1/2
540	RCG-AT-64	-	64-1/2	16	68-1/2	56-3/4	61-1/2

All dimensions in inches. When motor operated damper is used, a wood nailer is required. *Add 8" when installed with a damper. Roof curb is not hurricane resistant rated.

Average Sound Level Reduction

OB1	OB2	OB3	OB4	OB5	OB6	OB7	OB8
-5	-11	-9	-14	-18	-28	-35	-25

Fan Speed Control



5 AMP FSC

10 AMP FSC

Cook's FSC is a variable speed controller which can offer excellent energy conservation and lower sound levels when 100 percent of a direct drive fan operating capacity is not required. The FSC employs solid state circuitry for long-life and dependability. The FSC is available only on 115V and 230V shaded pole or permanent split capacitor direct drive motors and is not available on 1140 RPM and 1725 RPM motors. The FSC is normally shipped loose for field installation. Optional pre-wiring is available.

Motors

Direct Drive

All direct drive motors are standard single phase 115-volt:

- Sizes 70 through 100 are either shaded pole or permanent split capacitor type motors.
- Sizes 120 through 180 are either permanent split capacitor (1075, 1300, or 1550 rpm motors) or split phase (1140 or 1725 rpm motors).
- FSC can only be used on either shaded pole or permanent split capacitor type motors.

Optional motors:

- Two speed, single-phase open motors are supplied as either 1725/1140 RPM or as 1140/860 RPM.
- Explosion proof motors are available for some units, contact factory for details.
- These optional motors cannot use an FSC.

Belt Drive

Single-phase motors:

- Open drip motors from 1/6 to 1-1/2 HP.
- Two-speed, motors in 1725/1140 RPM, from 1/6 to 1 HP.
- TEFC and Class 1, Group D, explosion proof motors from 1/4 to 1 HP.

Three-phase motors:

- Three-phase ODP motors from 1/4 to 10 HP.
- Two-speed, two winding motors in 1725/1140 RPM, from 1/3 to 5 HP.
- TEFC and Class 1, Group D, explosion proof motors from 1/4 to 10 HP.
- Variable Frequency Drive (VFD) compatible motors are available, contact factory for details.

All single-phase and three-phase, single speed, open drip motors listed in performance tables are shipped factory installed.

Optional Coatings

Lorenized® is an electrostatically applied, baked polyester powder coating. Each component shall be subject to a five stage environmentally friendly wash system, followed by a minimum 2 mil thick baked powder finish. Coating must exceed 1,000 hour salt spray under ASTM B117 test method.

Cook Epoxy Powder is an electrostatically applied, baked epoxy powder coating. Final coating thickness is 2.5 - 3.5 mils. For outdoor applications an optional UV resistant topcoat is available to prevent cosmetic chalking of the coating.

Cook Phenolic Epoxy Powder is an electrostatically applied, baked phenolic epoxy powder coating. Final coating thickness is 2 - 4 mils. For outdoor applications an optional UV resistant topcoat is required to prevent deterioration of the coating.

Cook Easy Clean Powder is an electrostatically applied, baked modified epoxy silicone powder producing a high temperature "non-stick" coating. Final coating thickness is 1.3 - 1.7 mils.

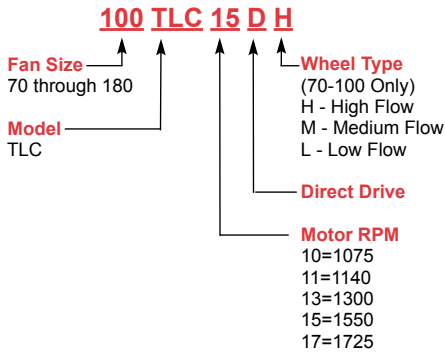
Air Dry Phenolic (Heresite VR-504) is a conventional spray applied phenolic resin coating. Final coating thickness is 4 - 6 mils. For outdoor applications an optional UV resistant topcoat (Heresite UC-5500) is required to prevent deterioration of the coating.

Refer to the corrosion resistance guide in the Compute-A-Fan software for a listing of the coatings above and their resistance to a variety of chemicals. Additional special coatings are available.

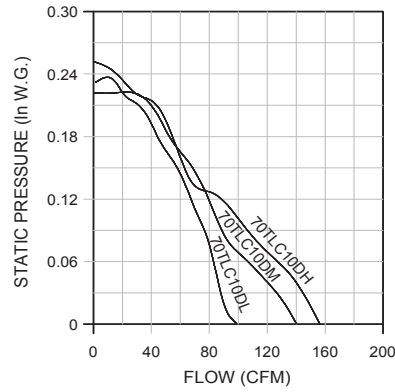
TLC-D Data

Model Number Chart

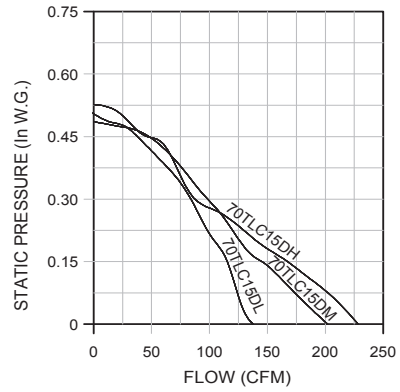
Direct Drive Models



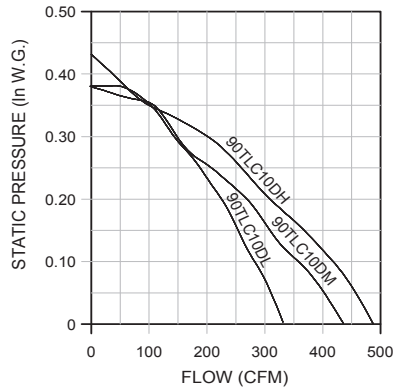
70TLC10DH, 70TLC10DM, 70TLC10DL



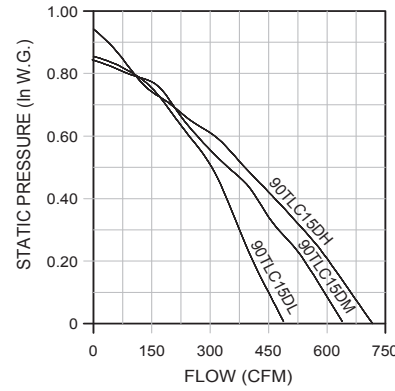
70TLC15DH, 70TLC15DM, 70TLC15DL



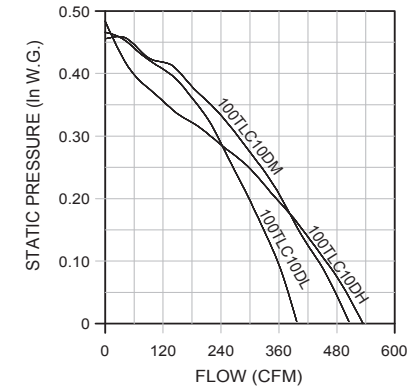
90TLC10DH, 90TLC10DM, 90TLC10DL



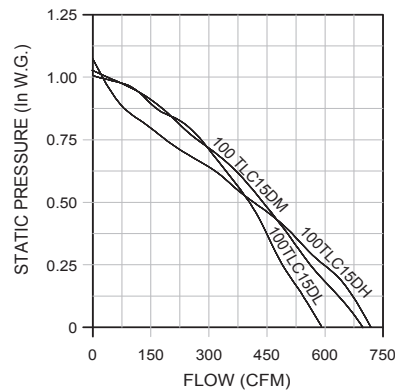
90TLC15DH, 90TLC15DM, 90TLC15DL



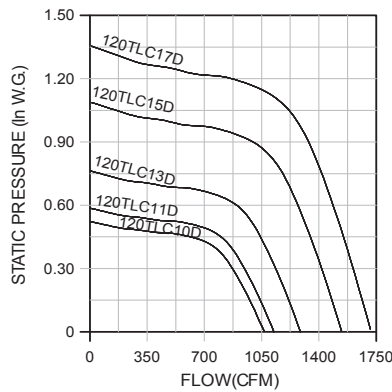
100TLC10DH, 100TLC10DM, 100TLC10DL



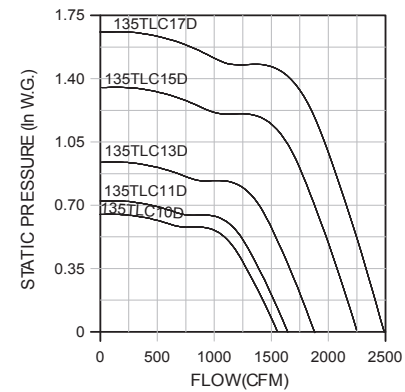
100TLC15DH, 100TLC15DM, 100TLC15DL



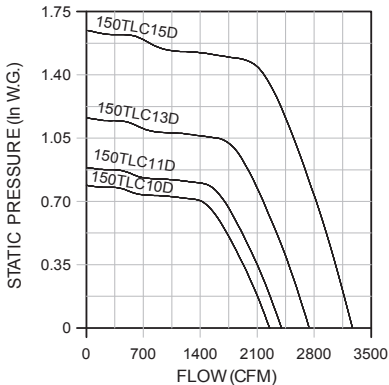
120TLC10D, 120TLC11D, 120TLC13D, 120TLC15D, 120TLC17D



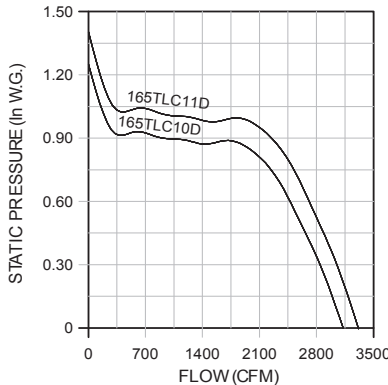
135TLC10D, 135TLC11D, 135TLC13D, 135TLC15D, 135TLC17D



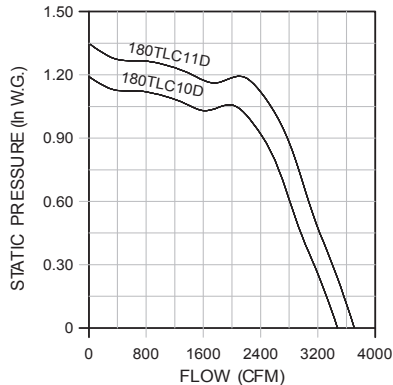
150TLC10D, 150TLC11D, 150TLC13D, 150TLC15D



165TLC10D, 165TLC11D



180TLC10D, 180TLC11D



Performance certified is for Installation Type A: free

inlet, free outlet. The sound ratings shown are loudness values in fan sones at 5 ft. (1.5 m.) in a hemispherical free field calculated per AMCA Standard 301. Values shown are for installation Type A free inlet fan sone levels. Speed (RPM) shown is nominal. Performance is based on actual speed of test for model sizes 70-100. All others are at constant

TLC-D

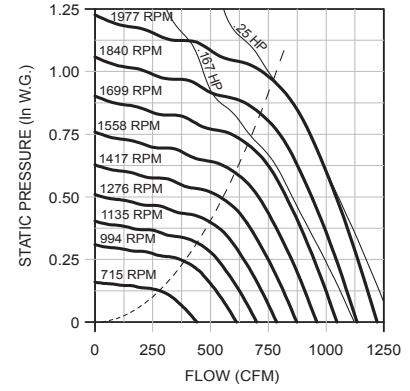
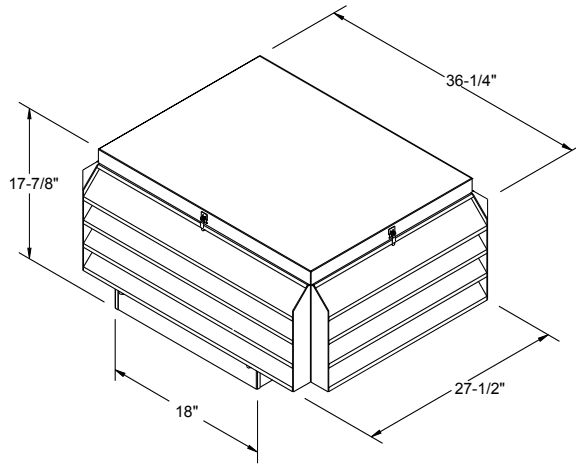
Catalog Number	Mtr. HP	Fan RPM	Tip Speed	Max Watts	CFM at Static Pressure																			
					0" SP		1/8" SP		1/4" SP		3/8" SP		1/2" SP		5/8" SP		3/4" SP		7/8" SP		1" SP		1-1/4" SP	
					Sone	BHP	Sone	BHP	Sone	BHP	Sone	BHP	Sone	BHP	Sone	BHP	Sone	BHP	Sone	BHP	Sone	BHP	Sone	BHP
70TLC10DH	1/25	1172	2148	71	156	83																		
70TLC10DM		1176	2155	70	3.1	2.4																		
70TLC10DL		1181	2164		139	76																		
70TLC15DH	1/20	1644	3013	102	228	180	118	72																
70TLC15DM		1690	3097	94	5.0	4.7	4.2	3.9																
70TLC15DL		1715	3143	88	201	156	113	75																
90TLC10DH	1/25	1125	2688	89	488	394	259																	
90TLC10DM		1145	2735	83	4.8	4.2	3.8																	
90TLC10DL		1155	2759	79	437	330	207																	
90TLC15DH	1/8	1585	3786	164	718	647	574	485	388	281	140													
90TLC15DM		1670	3989	124	9.1	8.6	8.2	7.9	7.6	7.6	7.7													
90TLC15DL		1710	4035	97	642	581	511	432	343	248	171													
100TLC10DH	1/25	1075	2850	105	488	437	390	349	301	227	148													
100TLC10DM		1125	2982	89	5.5	5.0	4.9																	
100TLC10DL		1135	3009	85	502	416	318	178																
100TLC15DH	1/8	1550	4109	240	719	671	597	514	416	315	189													
100TLC15DM		1640	4347	142	9.6	9.3	9.0	8.7	8.4	8.5	8.7													
100TLC15DL		1660	4400	130	700	637	565	505	442	373	273	183												
120TLC10D	1/6	1075	3377	-	1061	987	904	794																
120TLC11D	1/6	1140	3581	-	7.8	.07	7.5	.08	7.1	.08	6.6	.09												
120TLC13D	1/4	1300	4084	-	1125	1056	979	888																
120TLC15D		1550	4869	-	1283	1223	1159	1087	1003															
120TLC17D	1/2	1725	5419	-	1530	1480	1428	1373	1313	1247	1168													
135TLC10D	1/6	1075	3799	-	1703	1658	1612	1564	1513	1459	1400	1334	1244											
135TLC11D	1/6	1140	4029	-	17.3	.31	17.1	.31	17.2	.32	17.3	.33	17.2	.34	17.0	.35	16.8	.36	16.4	.37	16.2	.37		
135TLC13D	1/2	1300	4595	-	1550	1460	1362	1255	1121															
135TLC15D		1550	5478	-	9.9	.11	9.5	.12	9.2	.13	9.2	.14	8.1	.14										
135TLC17D	3/4	1725	6097	-	1644	1559	1469	1370	1260															
150TLC10D	1/3	1075	4222	-	11.0	.13	10.6	.14	10.3	.16	10.2	.17	9.4	.17										
150TLC11D	1/3	1140	4477	-	1875	1801	1724	1641	1553	1459														
150TLC13D	3/4	1300	5105	-	2235	2173	2110	2045	1976	19003	1828	1748	1654											
150TLC15D		1550	6087	-	17.8	.33	17.6	.34	17.4	.36	17.2	.38	17.0	.40	16.8	.41	16.7	.43	16.3	.43	15.9	.43		
165TLC10D	1/2	1075	4644	-	2487	2432	2376	2318	2258	2196	2131	2064	1995	1831										
165TLC11D	3/4	1140	4924	-	22	.46	21	.47	21	.49	21	.51	21	.53	21	.55	20	.57	20	.58	20	.60		
180TLC10D	3/4	1075	5066	-	2254	2149	2035	1903	1759	1589														
180TLC11D	3/4	1140	5372	-	17.0	.21	17.1	.22	16.8	.24	16.2	.25	15.8	.26	15.5	.26								
					2391	2291	2186	2066	1934	1790														
					19.6	.25	19.6	.27	19.4	.28	18.7	.29	18.3	.30	17.9	.31								
					2726	2639	2550	2453	2345	2230	2108	1970												
					27	.37	27	.39	27	.41	26	.42	25	.43	25	.44	25	.46	24	.46				
					3250	3178	3104	3028	2947	2859	2766	2669	2569	2343										
					36	.62	36	.65	36	.67	36	.69	35	.71	35	.73	34	.74	33	.75	33	.77		
					3126	3015	2897	2758	2602	2442	2243	1863												
					15.0	.45	14.7	.47	14.4	.48	14.3	.50	14.2	.52	13.9	.53	13.6	.53	13.3	.49				
					3315	3211	3101	2978	2833	2685	2528	2314												
					16.7	.54	16.5	.55	16.3	.57	16.0	.59	15.9	.61	15.8	.63	15.5	.63	15.3	.62				
					3477	3347	3208	3052	2909	2784	2654	2481												
					17.4	.50	17.1	.51	16.8	.52	16.4	.54	16.1	.56	15.8	.59	15.7	.61	15.5	.62				
					3687	3565	3436	3292	3148	3025	2908	2778	2605											
					19.1	.60	18.7	.61	18.4	.62	18.1	.64	17.8	.66	17.5	.68	17.3	.71	17.1	.73	17.0	.74		

Performance certified is for Installation Type A: free inlet, free outlet. The sound ratings shown are loudness values in fan sones at 5 ft. (1.5 m.) in a hemispherical free field calculated per AMCA Standard 301. Values shown are for installation Type A free inlet fan sone levels. Speed (RPM) shown is nominal. Performance is based on actual speed of test for model sizes 70-100. All others are at constant RPM. Performance ratings do not include the effects of appurtenances (accessories).

100-135 TLC-B Data

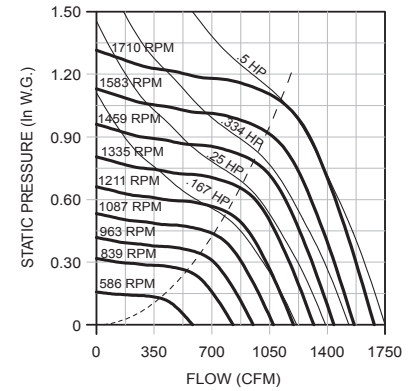
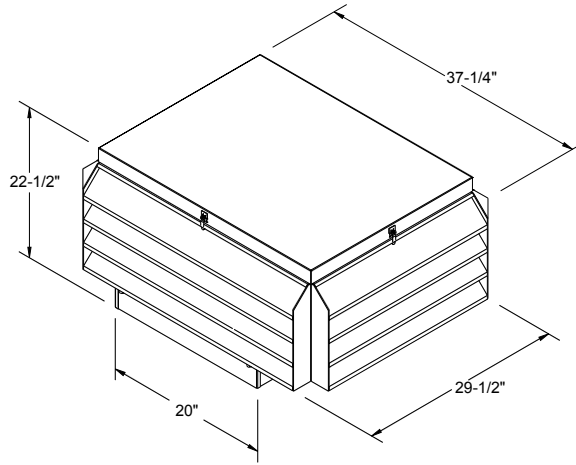
100 TLC-B

- Wheel Diameter = 10
- Tip Speed (FPM) = 2.6 x RPM
- Maximum RPM = 1977
- Maximum BHP = .03 x (RPM/1000)³
- Maximum Motor Frame = 48
- Approx. Ship Wt. (Less Motor) = 77 lbs.
- Roof Curb* = RCG, RCA 16
- Roof Opening* = 13-1/2" sq.



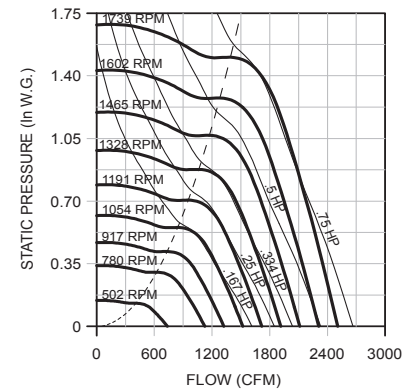
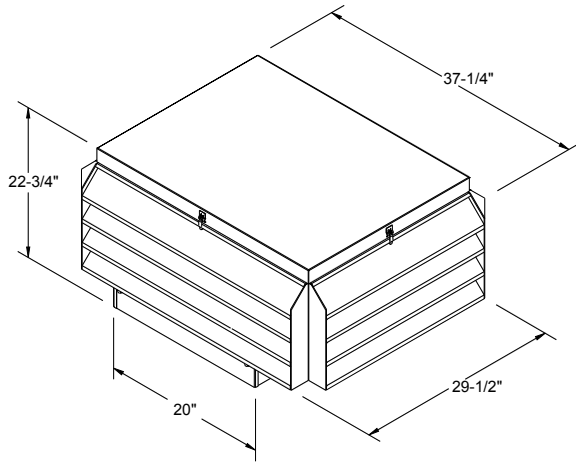
120 TLC-B

- Wheel Diameter = 12
- Tip Speed (FPM) = 3.1 x RPM
- Maximum RPM = 1710
- Maximum BHP = .10 x (RPM/1000)³
- Maximum Motor Frame = 56
- Approx. Ship Wt. (Less Motor) = 175 lbs.
- Roof Curb* = RCG, RCA 18
- Roof Opening* = 15-1/2" sq.



135 TLC-B

- Wheel Diameter = 13.5
- Tip Speed (FPM) = 3.5 x RPM
- Maximum RPM = 1739
- Maximum BHP = .15 x (RPM/1000)³
- Maximum Motor Frame = 56
- Approx. Ship Wt. (Less Motor) = 175 lbs.
- Roof Curb* = RCG, RCA 18
- Roof Opening* = 15-1/2" sq.



Performance certified is for Installation Type A: free inlet, free outlet. The sound ratings shown are loudness values in fan sones at 5 ft. (1.5 m.) in a hemispherical free field calculated per AMCA Standard 301. Values shown are for installation Type A free inlet fan sone levels. Power rating (BHP) does not include transmission losses. Performance ratings do not include the effects of appurtenances (accessories).

100 TLC-B

Catalog Number	Mtr. HP	Fan RPM	Tip Speed	CFM vs. Static Pressure																					
				0" SP		1/8" SP		1/4" SP		3/8" SP		1/2" SP		5/8" SP		3/4" SP		1" SP		1-1/4" SP		1-1/2" SP		2" SP	
				Sone	BHP	Sone	BHP	Sone	BHP	Sone	BHP	Sone	BHP	Sone	BHP	Sone	BHP	Sone	BHP	Sone	BHP	Sone	BHP	Sone	BHP
100TLC-B	1/6	715	1871	440		280																			
				2.8	.01	2.5	.01																		
		916	2398	564		466																			
				4.8	.02	4.6	.02																		
		1117	2924	688		612		514																	
				7.3	.04	7.2	.04	6.7	.04																
		1318	3450	812		749		676		583															
			10.8	.06	10.6	.07	10.0	.07	9.6	.07															
	1519	3976	936		882		823		755		670														
			13.7	.10	13.6	.10	13.1	.11	12.7	.11	12.4	.11													
	1720	4502	1060		1013		963		907		844		771												
			17.6	.14	17.5	.15	17.4	.15	16.9	.16	16.6	.16	16.3	.16											
	1/4	1784	4670	1099		1054		1006		953		895		829		733									
				19.0	.16	18.9	.16	18.8	.17	18.3	.18	17.9	.18	17.6	.18	17.3	.18								
1848		4838	1138		1095		1049		999		944		883		808										
			20	.17	20	.18	20	.19	19.8	.20	19.4	.20	19.1	.20	18.8	.20									
1912		5005	1178		1136		1092		1044		992		935		870										
		22	.19	22	.20	22	.21	21	.22	21	.22	21	.23	20	.22										
1977	5175	1218		1177		1135		1090		1040		987		928											
		24	.21	24	.22	23	.23	23	.24	23	.24	22	.25	22	.25										

120 TLC-B

Catalog Number	Mtr. HP	Fan RPM	Tip Speed	CFM vs. Static Pressure																					
				0" SP		1/8" SP		1/4" SP		3/8" SP		1/2" SP		5/8" SP		3/4" SP		1" SP		1-1/4" SP		1-1/2" SP		2" SP	
				Sone	BHP	Sone	BHP	Sone	BHP	Sone	BHP	Sone	BHP	Sone	BHP	Sone	BHP	Sone	BHP	Sone	BHP	Sone	BHP	Sone	BHP
120TLC-B	1/6	586	1840	578		390																			
				2.3	.02	1.4	.02																		
		781	2453	771		663																			
				4.2	.04	3.6	.05																		
	976	3066	963		881		783																		
			6.5	.08	6.2	.09	5.7	.09																	
	1172	3681	1157		1090		1016		930		779														
			9.1	.14	8.9	.15	8.5	.16	8.1	.16	7.9	.16													
	1/4	1260	3958	1244		1181		1115		1039		945													
				10.3	.18	10.1	.18	9.8	.19	9.4	.20	9.2	.20												
	1347	4231	1329		1272		1210		1142		1065		953												
			11.5	.22	11.3	.22	11.1	.23	10.8	.24	10.5	.25	10.3	.25											
	1/3	1418	4454	1400		1345		1287		1224		1155		1071											
				12.5	.26	12.3	.26	12.2	.27	12.0	.28	11.7	.28	11.5	.29										
	1489	4677	1470		1417		1363		1305		1241		1169		1069										
			13.5	.30	13.4	.30	13.3	.31	13.2	.32	12.9	.33	12.7	.33	12.5	.33									
	1/2	1599	5023	1578		1530		1480		1427		1370		1308		1238									
				15.1	.37	15.1	.37	15.1	.38	15.1	.39	14.9	.40	14.6	.41	14.4	.41								
1710	5372	1688		1642		1596		1548		1496		1441		1382		1218									
		17.0	.45	16.9	.45	17.0	.46	17.0	.47	16.9	.48	16.7	.49	16.5	.50	15.9	.51								

135 TLC-B

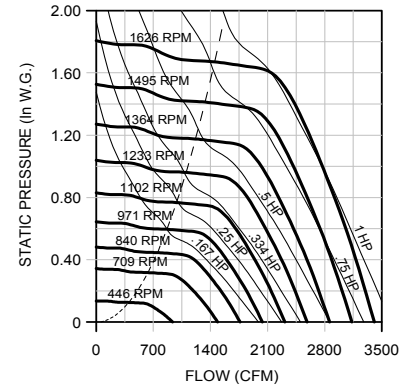
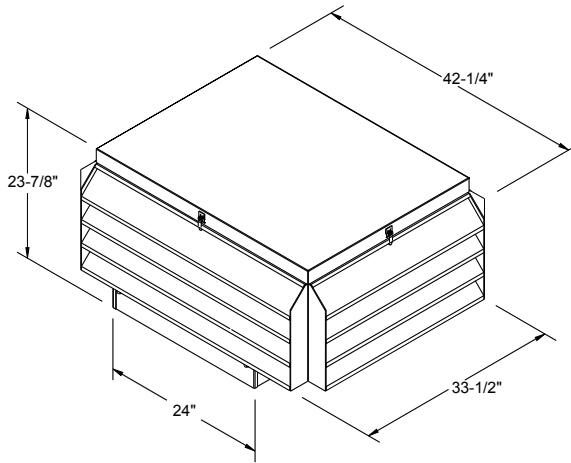
Catalog Number	Mtr. HP	Fan RPM	Tip Speed	CFM vs. Static Pressure																					
				0 SP		1/8 SP		1/4 SP		3/8 SP		1/2 SP		5/8 SP		3/4 SP		1 SP		1-1/4 SP		1-1/2 SP		2 SP	
				Sone	BHP	Sone	BHP	Sone	BHP	Sone	BHP	Sone	BHP	Sone	BHP	Sone	BHP	Sone	BHP	Sone	BHP	Sone	BHP	Sone	BHP
135TLC-B	1/6	502	1774	724		419																			
				2.2	.02	2.1	.02																		
		769	2717	1109		978		814																	
			5.3	.05	5.1	.06	4.6	.07																	
	1036	3661	1494		1400		1298		1184		1014														
			9.2	.13	8.8	.14	8.6	.15	8.4	.16	7.2	.16													
	1/4	1114	3937	1606		1520		1426		1324		1208													
				10.5	.16	10.1	.17	9.9	.19	9.8	.20	8.9	.20												
	1191	4209	1717		1636		1551		1458		1358		1227												
			11.8	.20	11.4	.21	11.1	.22	10.9	.24	10.4	.25	9.5	.25											
	1316	4651	1898		1825		1749		1668		1581		1489		1372										
			13.6	.27	13.3	.28	13.0	.30	12.9	.31	12.8	.33	12.1	.33	11.3	.33									
	1/2	1414	4997	2039		1971		1901		1828		1749		1667		1579									
				15.1	.34	14.8	.35	14.6	.36	14.5	.38	14.4	.40	14.3	.41	13.5	.42								
	1511	5340	2179		2115		2051		1983		1911		1836		1759		1563								
			17.1	.41	16.8	.42	16.6	.44	16.4	.46	16.2	.47	16.0	.49	15.7	.50	14.9	.50							
	3/4	1625	5743	2343		2284		2224		2163		2098		2030		1960		1808		1557					
				19.3	.51	19.1	.52	19.0	.54	18.8	.56	18.6	.58	18.5	.60	18.3	.61	17.8	.63	17.0	.61				
1739	6146	2508		2453		2397		2340		2281		2219		2155		2020		1862		1453					
		22	.62	22	.64	22	.66	21	.67	21	.69	21	.72	21	.74	21	.77	19.9	.77	19.2	.72				

Performance certified is for Installation Type A: free inlet, free outlet. The sound ratings shown are loudness values in fan sones at 5 ft. (1.5 m.) in a hemispherical free field calculated per AMCA Standard 301. Values shown are for installation Type A free inlet fan sone levels. Power rating (BHP) does not include transmission losses. Performance ratings do not include the effects of appurtenances (accessories).

150-180 TLC-B Data

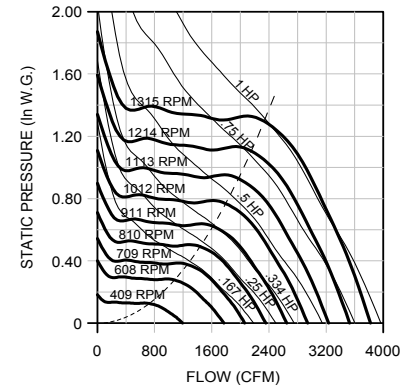
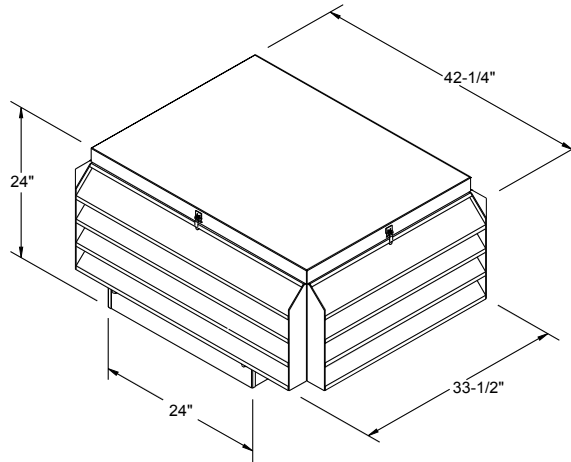
150 TLC-B

- Wheel Diameter = 15
- Tip Speed (FPM) = 3.9 x RPM
- Maximum RPM = 1626
- Maximum BHP = .24 x (RPM/1000)³
- Maximum Motor Frame = 143T
- Approx. Ship Wt. (Less Motor) = 205 lbs.
- Roof Curb* = RCG, RCA 22
- Roof Opening* = 19-1/2" sq.



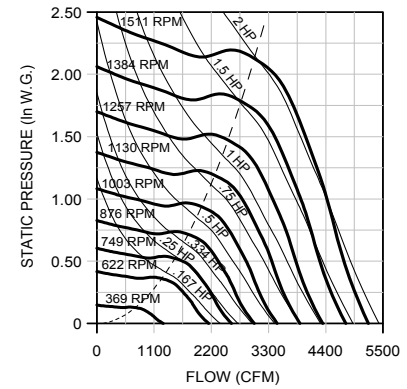
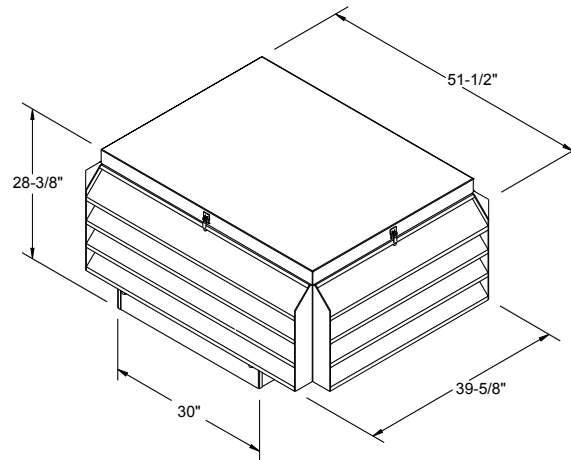
165 TLC-B

- Wheel Diameter = 16.5
- Tip Speed (FPM) = 4.3 x RPM
- Maximum RPM = 1315
- Maximum BHP = .46 x (RPM/1000)³
- Maximum Motor Frame = 143T
- Approx. Ship Wt. (Less Motor) = 205 lbs.
- Roof Curb* = RCG, RCA 22
- Roof Opening* = 19-1/2" sq.



180 TLC-B

- Wheel Diameter = 18
- Tip Speed (FPM) = 4.7 x RPM
- Maximum RPM = 1511
- Maximum BHP = .61 x (RPM/1000)³
- Maximum Motor Frame = 145T
- Approx. Ship Wt. (Less Motor) = 245 lbs.
- Roof Curb* = RCG, RCA 28
- Roof Opening* = 25-1/2" sq.



Performance certified is for Installation Type A: free inlet, free outlet. The sound ratings shown are loudness values in fan sones at 5 ft. (1.5 m.) in a hemispherical free field calculated per AMCA Standard 301. Values shown are for installation Type A free inlet fan sone levels. Power rating (BHP) does not include transmission losses. Performance ratings do not include the effects of appurtenances (accessories).

150 TLC-B

Catalog Number	Mtr. HP	Fan RPM	Tip Speed	CFM vs. Static Pressure																											
				0 SP		1/8 SP		1/4 SP		3/8 SP		1/2 SP		5/8 SP		3/4 SP		1 SP		1-1/4 SP		1-1/2 SP		2 SP							
				Sone	BHP	Sone	BHP	Sone	BHP	Sone	BHP	Sone	BHP	Sone	BHP	Sone	BHP	Sone	BHP	Sone	BHP	Sone	BHP	Sone	BHP	Sone	BHP				
150TLC-B	1/6	446	1751	935		437																									
		878	3447	2.7	.02	2.5	.02	1841 1710		1554 1372																					
	1/4	1009	3962	2116		2003		1878 1733		1570 1275																					
		1116	4382	14.6	.20	14.7	.22	14.3	.23	13.8	.24	13.4	.25	13.1	.23	2340 2239		2130 2006		1870 1719		1487									
	1/2	1198	4704	2512		2418		2319 2209		2086 1955		1807																			
		1281	5030	22	.34	22	.36	22	.38	21	.39	21	.40	20	.41	2686 2598		2507 2408		2298 2180		2054 1662									
	3/4	1377	5407	2888		2806		2722 2633		2535 2429		2318 2066																			
		1474	5788	30	.51	30	.54	29	.56	29	.58	28	.59	28	.60	27	.61	27	.63	3091 3015		2937 2855		2768 2673		2573 2357		2079			
	1	1550	6086	3250		3178		3104 3028		2947 2859		2766 2569		2343 1654																	
		1626	6385	36	.73	36	.76	36	.78	36	.81	35	.82	35	.84	34	.85	33	.88	32	.90	32	.92	32	.98	32	.98	32	.98	32	.98
				39	.84	39	.87	39	.90	39	.92	38	.94	38	.96	37	.98	36	1.00	36	1.03	35	1.03	35	1.03	35	1.03	35	1.03	35	1.03

165 TLC-B

Catalog Number	Mtr. HP	Fan RPM	Tip Speed	CFM vs. Static Pressure																										
				0 SP		1/8 SP		1/4 SP		3/8 SP		1/2 SP		5/8 SP		3/4 SP		1 SP		1-1/4 SP		1-1/2 SP		2 SP						
				Sone	BHP	Sone	BHP	Sone	BHP	Sone	BHP	Sone	BHP	Sone	BHP	Sone	BHP	Sone	BHP	Sone	BHP	Sone	BHP	Sone	BHP	Sone	BHP			
165TLC-B	1/6	409	1766	1182		730																								
		710	3066	2.2	.03	1.3	.03	2065 1889		1658 1278																				
	1/4	816	3524	7.0	.14	6.5	.15	5.9	.16	5.3	.16																			
		902	3896	2373		2224		2038 1827		1943																				
	1/2	969	4185	8.9	.21	8.6	.23	8.1	.24	7.7	.25																			
		1036	4475	2623		2490		2335 2149		1943																				
	3/4	1114	4812	10.8	.29	10.5	.30	10.0	.32	9.8	.33	9.3	.33	2818 2695		2557 2389		2213 1985												
		1192	5149	12.3	.36	12.0	.37	11.7	.39	11.5	.41	11.2	.41	10.8	.41	3013 2898	2773 2624	2461 2288	2032											
	1	1254	5416	13.9	.44	13.7	.45	13.4	.47	13.2	.49	13.1	.50	12.7	.51	12.4	.50	3240 3133		3020 2891		2741 2589		2420						
		1315	5680	16.0	.54	15.8	.56	15.5	.58	15.3	.60	15.2	.62	15.0	.63	14.8	.63	3466 3367	3263 3149	3015 2873	2730 2319									
			18.1	.67	17.9	.68	17.7	.70	17.5	.72	17.3	.74	17.3	.76	17.0	.77	16.6	.76	3647 3552		3454 3349		3228 3095		2960 2650					
			19.7	.78	19.4	.79	19.2	.81	19.0	.83	18.8	.86	18.7	.88	18.7	.89	18.3	.89	3824 3734		3642 3543		3434 3310		3181 2913		2476			
			21	.90	21	.91	21	.93	21	.95	20	.98	20	1.00	20	1.02	19.9	1.03	19.5	1.01										

180 TLC-B

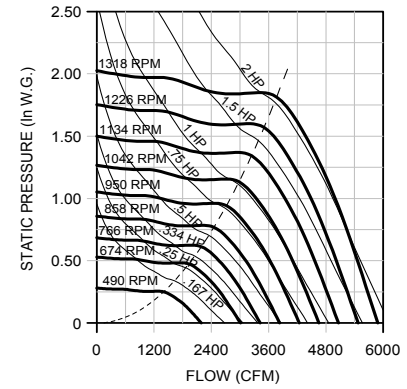
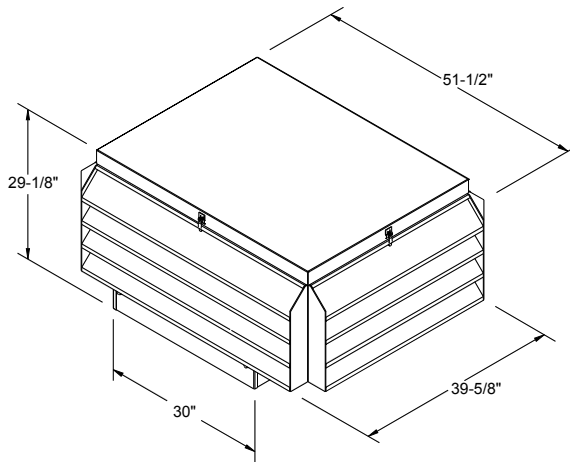
Catalog Number	Mtr. HP	Fan RPM	Tip Speed	CFM vs. Static Pressure																														
				0 SP		1/8 SP		1/4 SP		3/8 SP		1/2 SP		5/8 SP		3/4 SP		1 SP		1-1/4 SP		1-1/2 SP		2 SP										
				Sone	BHP	Sone	BHP	Sone	BHP	Sone	BHP	Sone	BHP	Sone	BHP	Sone	BHP	Sone	BHP	Sone	BHP	Sone	BHP	Sone	BHP	Sone	BHP							
180TLC-B	1/6	369	1738	1275		767																												
		644	3034	2.5	.03	1.2	.03	2225 1969		1757 1383																								
	1/4	741	3491	7.8	.14	7.2	.15	6.2	.16	4.7	.16																							
		819	3859	2560		2322		2157 1942		1569																								
	1/2	941	4434	10.1	.21	9.5	.22	8.9	.24	7.5	.25	6.1	.24	2830 2605		2450 2281		2072																
		1082	5098	12.1	.28	11.5	.30	10.9	.31	10.0	.33	8.6	.33	3252 3047	2894 2769	2614 2436	2205																	
	1	1194	5626	15.5	.43	14.9	.44	14.3	.46	13.8	.48	12.8	.50	11.5	.51	10.2	.50	3739 3556		3406 3289		3180 3049		2897 2516										
		1371	6460	19.4	.66	18.7	.67	18.2	.69	17.7	.71	17.1	.73	16.4	.75	15.1	.77	12.8	.76	4126 3958		3814 3696		3596 3496		3377 3098		2696						
	2	1441	6790	22	.88	22	.89	21	.91	21	.94	20	.96	19.6	.99	18.9	1.01	16.7	1.03	14.8	1.02	4737 4589		4455 4339		4239 4152		4067 3867		3627 3352				
		1511	7120	28	1.33	27	1.35	27	1.37	26	1.39	26	1.42	25	1.45	25	1.48	24	1.53	22	1.56	19.8	1.56	4979 4838		4707 4594		4495 4406		4325 4153		3932 3696		
			30	1.55	30	1.56	29	1.58	29	1.61	28	1.63	28	1.66	27	1.7	26	1.76	25	1.8	23	1.82	5221 5086		4960 4847		4748 4660		4581 4425		4231 4013		3416	
			33	1.79	32	1.8	32	1.82	31	1.84	31	1.87	30	1.9	30	1.94	29	2.01	28	2.06	26	2.09	22	2.06										

Performance certified is for Installation Type A: free inlet, free outlet. The sound ratings shown are loudness values in fan sones at 5 ft. (1.5 m.) in a hemispherical free field calculated per AMCA Standard 301. Values shown are for installation Type A free inlet fan sone levels. Power rating (BHP) does not include transmission losses. Performance ratings do not include the effects of appurtenances (accessories).

195-225 TLC-B Data

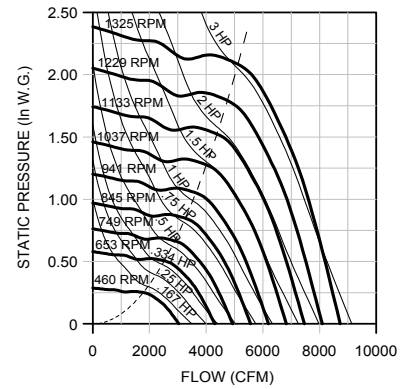
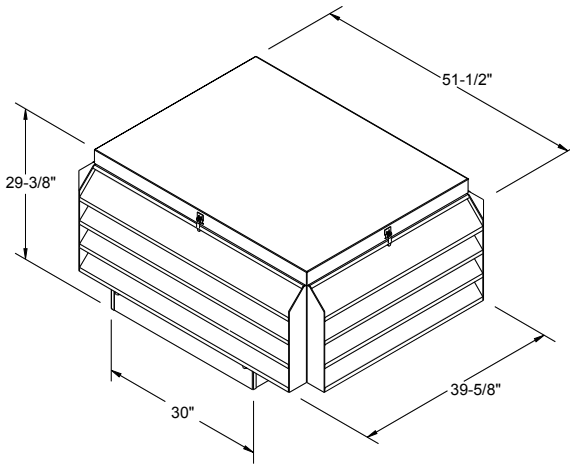
195 TLC-B

- Wheel Diameter = 19.5
- Tip Speed (FPM) = 5.1 x RPM
- Maximum RPM = 1318
- Maximum BHP = .91 x (RPM/1000)³
- Maximum Motor Frame = 145T
- Approx. Ship Wt. (Less Motor) = 245 lbs.
- Roof Curb* = RCG, RCA 28
- Roof Opening* = 25-1/2" sq.



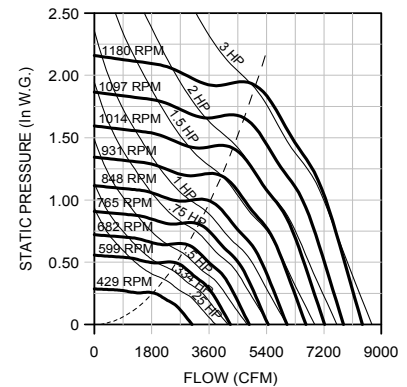
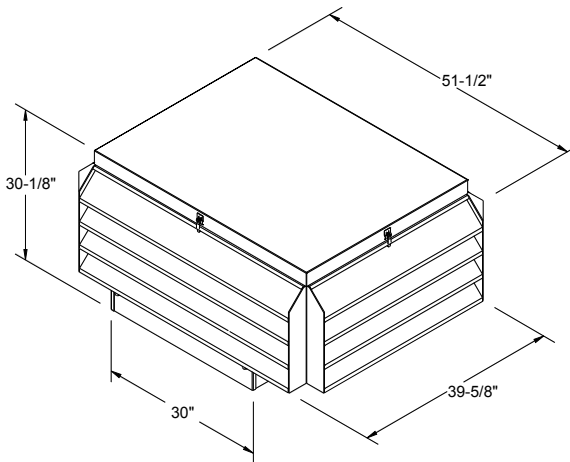
210 TLC-B

- Wheel Diameter = 21
- Tip Speed (FPM) = 5.5 x RPM
- Maximum RPM (Standard Wheel) = 1277
- Maximum RPM (Reinforced Wheel) = 1325
- Maximum BHP = 1.4 x (RPM/1000)³
- Maximum Motor Frame = 184T
- Approx. Ship Wt. (Less Motor) = 280 lbs.
- Roof Curb* = RCG, RCA 28
- Roof Opening* = 25-1/2" sq.



225 TLC-B

- Wheel Diameter = 22.5
- Tip Speed (FPM) = 5.9 x RPM
- Maximum RPM (Standard Wheel) = 1152
- Maximum RPM (Reinforced Wheel) = 1180
- Maximum BHP = 1.9 x (RPM/1000)³
- Maximum Motor Frame = 184T
- Approx. Ship Wt. (Less Motor) = 285 lbs.
- Roof Curb* = RCG, RCA 28
- Roof Opening* = 25-1/2" sq.

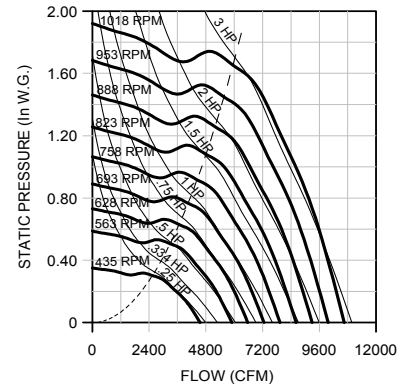
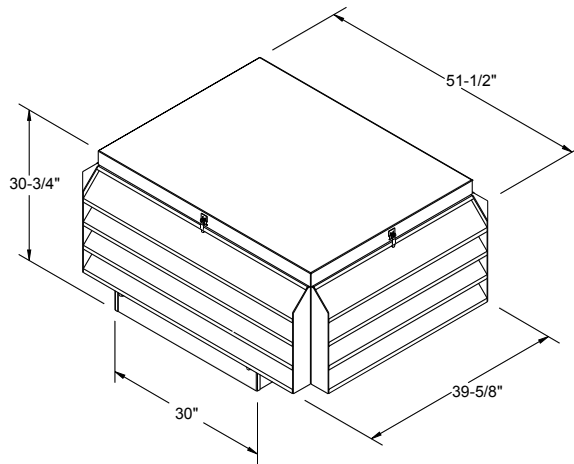


Performance certified is for Installation Type A: free inlet, free outlet. The sound ratings shown are loudness values in fan zones at 5 ft. (1.5 m.) in a hemispherical free field calculated per AMCA Standard 301. Values shown are for installation Type A free inlet fan zone levels. Power rating (BHP) does not include transmission losses. Performance ratings do not include the effects of appurtenances (accessories).

245-300 TLC-B Data

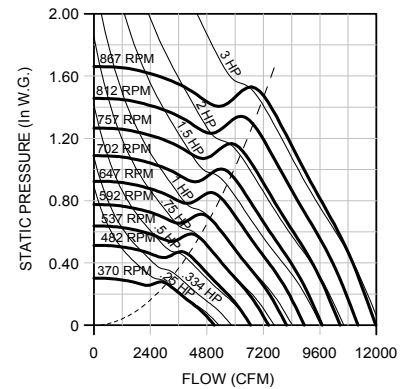
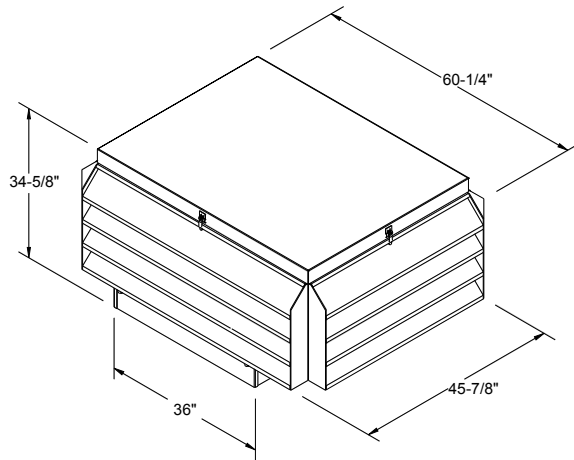
245 TLC-B

Wheel Diameter = 24.5
Tip Speed (FPM) = 6.4 x RPM
Maximum RPM (Standard Wheel) = 1015
Maximum RPM (Reinforced Wheel) = 1018
Maximum BHP = 3.0 x (RPM/1000)³
Maximum Motor Frame = 184T
Approx. Ship Wt. (Less Motor) = 290 lbs.
Roof Curb* = RCG, RCA 28
Roof Opening* = 25-1/2" sq.



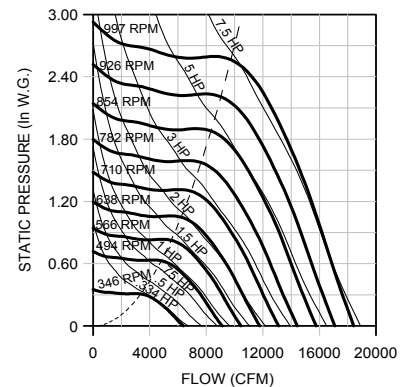
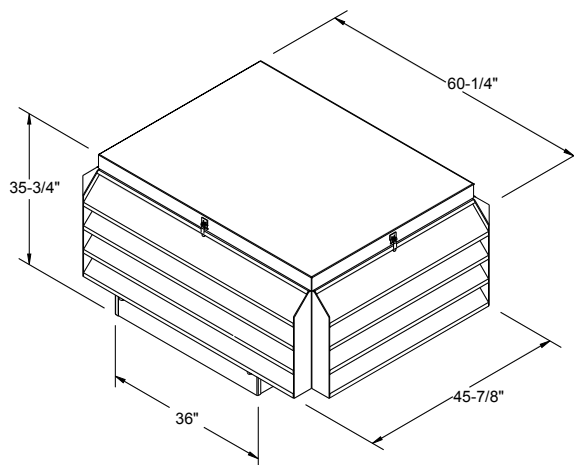
270 TLC-B

Wheel Diameter = 27
Tip Speed (FPM) = 7.1 x RPM
Maximum RPM = 867
Maximum BHP = 4.8 x (RPM/1000)³
Maximum Motor Frame = 184T
Approx. Ship Wt. (Less Motor) = 385 lbs.
Roof Curb* = RCG, RCA 34
Roof Opening* = 31-1/2" sq.



300 TLC-B

Wheel Diameter = 30
Tip Speed (FPM) = 7.9 x RPM
Maximum RPM (Standard Wheel) = 837
Maximum RPM (Reinforced Wheel) = 997
Maximum BHP = 8.0 x (RPM/1000)³
Maximum Motor Frame = 213T
Approx. Ship Wt. (Less Motor) = 405 lbs.
Roof Curb* = RCG, RCA 34
Roof Opening* = 31-1/2" sq.



Performance certified is for Installation Type A: free inlet, free outlet. The sound ratings shown are loudness values in fan zones at 5 ft. (1.5 m.) in a hemispherical free field calculated per AMCA Standard 301. Values shown are for installation Type A free inlet fan zone levels. Power rating (BHP) does not include transmission losses. Performance ratings do not include the effects of appurtenances (accessories).

245 TLC-B

Catalog Number	Mtr. HP	Fan RPM	Tip Speed	CFM vs. Static Pressure																					
				0 SP		1/8 SP		1/4 SP		3/8 SP		1/2 SP		5/8 SP		3/4 SP		1 SP		1-1/4 SP		1-1/2 SP		2 SP	
				Sone	BHP	Sone	BHP	Sone	BHP	Sone	BHP	Sone	BHP	Sone	BHP	Sone	BHP	Sone	BHP	Sone	BHP	Sone	BHP	Sone	BHP
245TLC-B	1/4	435	2790	4554		4019		3195																	
				7.6	.21	7.1	.24	6.6	.24																
	1/3	481	3085	5035		4566		3891																	
				9.1	.29	8.5	.32	8.1	.33																
	1/2	552	3540	5778		5379		4890		4207															
				11.4	.44	10.8	.47	10.3	.50	9.9	.50														
	3/4	594	3809	6218		5850		5424		4839		4170													
				12.8	.54	12.2	.58	11.8	.61	11.4	.63	10.8	.61												
	3/4	635	4072	6647		6305		5923		5434		4822		3992											
				14.3	.67	13.8	.71	13.4	.74	13.0	.77	12.4	.76	11.9	.72										
	1	701	4496	7338		7030		6699		6311		5811		5256		4543									
				17.0	.90	16.6	.94	16.1	.98	15.7	1.02	15.4	1.03	14.9	1.02	14.3	.98								
	1-1/2	805	5163	8427		8159		7881		7579		7230		6805		6317		5108							
				22	1.36	21	1.41	21	1.46	20	1.50	20	1.54	19.9	1.56	19.4	1.56	18.3	1.47						
2	887	5689	9285		9043		8794		8532		8244		7916		7528		6652								
			26	1.81	25	1.87	25	1.92	24	1.98	24	2.03	24	2.07	24	2.09	23	2.07							
3	953	6112	9976		9751		9521		9283		9027		8746		8429		7647		6829						
			29	2.25	29	2.31	28	2.37	28	2.43	28	2.48	27	2.53	27	2.57	26	2.59	25	2.55					
	1018	6529	10656		10446		10232		10012		9781		9532		9260		8605		7835		7027				
33			2.74	32	2.81	32	2.87	31	2.93	31	2.99	30	3.05	30	3.10	30	3.16	29	3.14	28	3.07				

270 TLC-B

Catalog Number	Mtr. HP	Fan RPM	Tip Speed	CFM vs. Static Pressure																					
				0 SP		1/8 SP		1/4 SP		3/8 SP		1/2 SP		5/8 SP		3/4 SP		1 SP		1-1/4 SP		1-1/2 SP		2 SP	
				Sone	BHP	Sone	BHP	Sone	BHP	Sone	BHP	Sone	BHP	Sone	BHP	Sone	BHP	Sone	BHP	Sone	BHP	Sone	BHP	Sone	BHP
270TLC-B	1/4	370	2615	5112		4299		3259																	
				6.5	.22	5.8	.24	4.6	.24																
	1/3	409	2891	5651		4956		4012																	
				7.8	.30	7.0	.32	6.2	.33																
	1/2	470	3322	6494		5922		5132		4328															
				10.1	.46	9.2	.48	8.7	.50	7.5	.50														
	3/4	506	3576	6991		6470		5777		5008															
				11.5	.57	10.7	.59	10.0	.62	9.2	.63														
	3/4	541	3824	7475		6993		6384		5652		4964													
				13.1	.70	12.2	.72	11.5	.75	10.9	.76	9.7	.77												
	1	597	4219	8249		7817		7311		6671		6018		5395											
				15.6	.94	14.8	.96	13.9	.99	13.4	1.02	12.6	1.03	11.4	1.03										
	1-1/2	685	4841	9465		9092		8687		8197		7625		7050		6510									
				19.4	1.41	18.8	1.44	17.8	1.47	17.3	1.51	16.9	1.54	16.1	1.55	14.9	1.55								
2	755	5336	10432		10095		9740		9335		8856		8329		7808		6821								
			23	1.89	22	1.92	21	1.95	20	1.99	20	2.04	19.6	2.07	18.9	2.08	16.8	2.08							
3	811	5732	11206		10893		10568		10211		9797		9327		8833		7894		6938						
			25	2.35	25	2.38	24	2.41	23	2.45	23	2.5	22	2.54	22	2.56	20	2.58	18.2	2.57					
	867	6128	11979		11688		11387		11064		10703		10291		9840		8928		8073						
28			2.87	28	2.9	27	2.93	26	2.97	25	3.02	25	3.08	25	3.12	24	3.14	22	3.15						

300 TLC-B

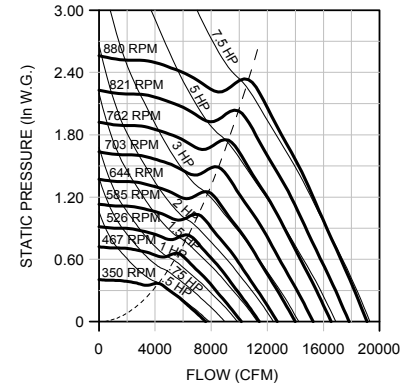
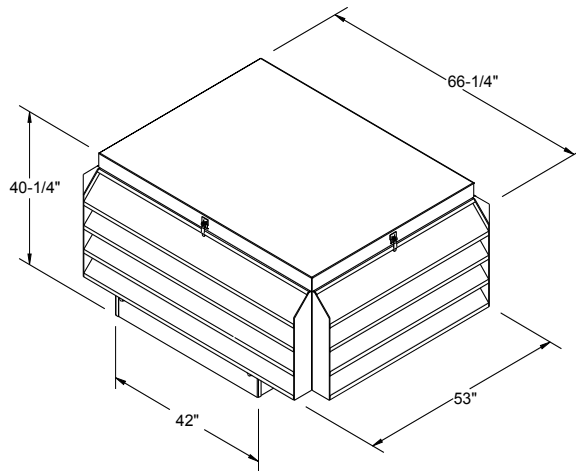
Catalog Number	Mtr. HP	Fan RPM	Tip Speed	CFM vs. Static Pressure																					
				0 SP		1/8 SP		1/4 SP		3/8 SP		1/2 SP		5/8 SP		3/4 SP		1 SP		1-1/4 SP		1-1/2 SP		2 SP	
				Sone	BHP	Sone	BHP	Sone	BHP	Sone	BHP	Sone	BHP	Sone	BHP	Sone	BHP	Sone	BHP	Sone	BHP	Sone	BHP	Sone	BHP
300TLC-B	1/3	346	2717	6388		5492		4402																	
				7.3	.29	5.8	.32	4.8	.33																
	1/2	397	3118	7329		6536		5721		4537															
				9.2	.44	7.6	.48	6.9	.49	5.8	.49														
	3/4	457	3589	8437		7734		7082		6280		5183													
				11.7	.67	10.0	.72	9.2	.73	8.3	.75	7.4	.75												
	1	504	3958	9305		8661		8071		7429		6631		5503											
				13.8	.89	12.2	.95	11.2	.98	10.6	.99	9.5	1.02	8.6	.99										
	1-1/2	579	4547	10689		10123		9597		9085		8508		7824		7020									
				17.6	1.35	16.0	1.43	14.8	1.47	14.2	1.49	13.5	1.51	12.4	1.54	11.5	1.55								
	2	638	5010	11779		11263		10774		10312		9836		9292		8668		6982							
				20	1.81	19.0	1.90	17.8	1.95	17.0	1.98	16.4	2.00	15.6	2.02	14.6	2.05	12.9	2.01						
	3	732	5749	13514		13063		12625		12211		11811		11400		10950		9887		8546					
				25	2.74	24	2.83	23	2.91	22	2.97	21	3.00	20	3.02	20	3.04	18.2	3.11	16.7	3.11				
5	801	6291	14788		14375		13971		13583		13213		12846		12470		11610		10596		9331				
			29	3.59	28	3.69	27	3.79	26	3.86	25	3.9	24	3.93	24	3.95	22	4.00	21	4.09	19.2	4.08			
	870	6832	16062		15681		15306		14943		14595		14256		13918		13201		12359		11406				
33			4.60	32	4.71	31	4.82	30	4.91	29	4.97	28	5.01	27	5.04	26	5.08	25	5.15	23	5.25				
7-1/2	997	7830	18407		18074		17744		17420		17109		16801		16504		15914		15296		14599				
			42	6.92	41	7.05	40	7.18	38	7.29	37	7.39	36	7.46	35	7.52	34	7.59	33	7.64	32	7.70	29	7.92	

Performance certified is for Installation Type A: free inlet, free outlet. The sound ratings shown are loudness values in fan sones at 5 ft. (1.5 m.) in a hemispherical free field calculated per AMCA Standard 301. Values shown are for installation Type A free inlet fan sone levels. Power rating (BHP) does not include transmission losses. Performance ratings do not include the effects of appurtenances (accessories). Shaded area indicates reinforced wheel required.

330-402 TLC-B Data

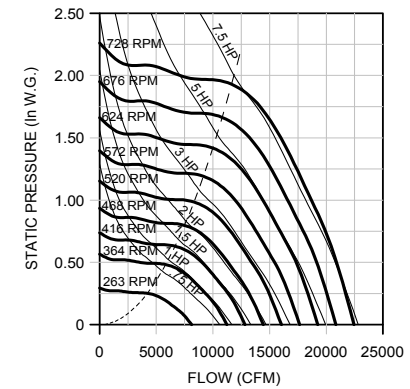
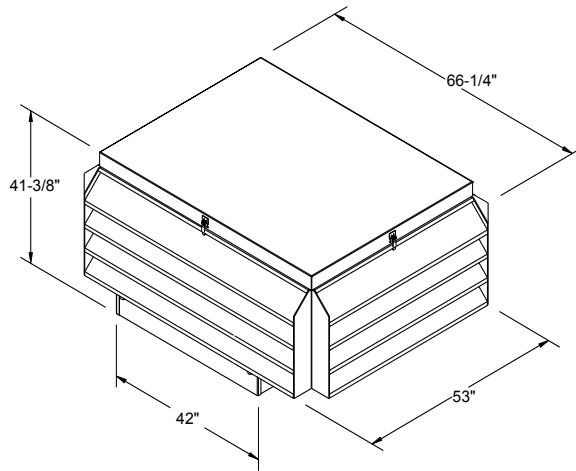
330 TLC-B

- Wheel Diameter = 33
- Tip Speed (FPM) = 8.6 x RPM
- Maximum RPM (Standard Wheel) = 716
- Maximum RPM (Reinforced Wheel) = 880
- Maximum BHP = 11.7 x (RPM/1000)³
- Maximum Motor Frame = 213T
- Approx. Ship Wt. (Less Motor) = 475 lbs.
- Roof Curb = RCG, RCA 40
- Roof Opening = 37-1/2" sq.



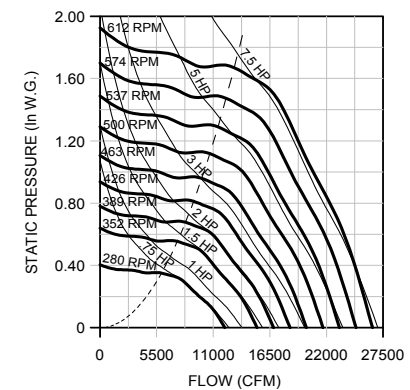
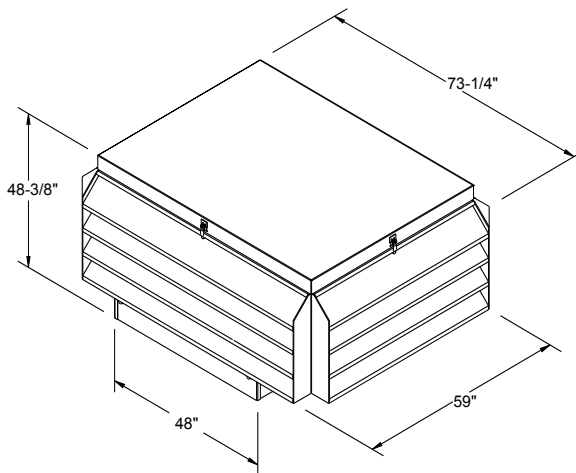
365 TLC-B

- Wheel Diameter = 36.5
- Tip Speed (FPM) = 9.6 x RPM
- Maximum RPM (Standard Wheel) = 624
- Maximum RPM (Reinforced Wheel) = 728
- Maximum BHP = 20.5 x (RPM/1000)³
- Maximum Motor Frame = 213T
- Approx. Ship Wt. (Less Motor) = 485 lbs.
- Roof Curb = RCG, RCA 40
- Roof Opening = 37-1/2" sq.



402 TLC-B

- Wheel Diameter = 40.25
- Tip Speed (FPM) = 10.5 x RPM
- Maximum RPM (Standard Wheel) = 539
- Maximum RPM (Reinforced Wheel) = 611
- Maximum BHP = 34.7 x (RPM/1000)³
- Maximum Motor Frame = 213T
- Approx. Ship Wt. (Less Motor) = 565 lbs.
- Roof Curb = RCG, RCA 46
- Roof Opening = 43-1/2" sq.



Performance certified is for Installation Type A: free inlet, free outlet. The sound ratings shown are loudness values in fan zones at 5 ft. (1.5 m.) in a hemispherical free field calculated per AMCA Standard 301. Values shown are for installation Type A free inlet fan zone levels. Power rating (BHP) does not include transmission losses. Performance ratings do not include the effects of appurtenances (accessories) in the airstream.

330 TLC-B

Catalog Number	Mtr. HP	Fan RPM	Tip Speed	CFM vs. Static Pressure																					
				0 SP		1/8 SP		1/4 SP		3/8 SP		1/2 SP		5/8 SP		3/4 SP		1 SP		1-1/4 SP		1-1/2 SP		2 SP	
				Sone	BHP	Sone	BHP	Sone	BHP	Sone	BHP	Sone	BHP	Sone	BHP	Sone	BHP	Sone	BHP	Sone	BHP	Sone	BHP	Sone	BHP
330TLC-B	1/2	350	3023	7601		6606		5538																	
				9.0	.46	8.1	.47	7.4	.49																
	3/4	403	3481	8752		7905		7004		5984															
				11.6	.70	10.6	.71	10.0	.73	9.0	.75														
	1	444	3835	9642		8884		8058		7234		6236													
				13.8	.93	13.0	.94	12.3	.97	11.7	.99	10.3	1.01												
	1-1/2	477	4120	10359		9658		8893		8142		7279		6371											
				15.7	1.16	15.0	1.17	14.1	1.19	13.6	1.22	12.5	1.24	11.3	1.26										
	2	510	4406	11075		10424		9715		9005		8276		7400		6556									
				17.6	1.41	17.0	1.42	16.0	1.45	15.6	1.48	15.0	1.51	13.7	1.52	12.5	1.55								
	3	562	4855	12204		11617		10988		10332		9698		9015		8212									
				21	1.89	20	1.90	19.2	1.92	18.6	1.96	18.2	1.99	17.5	2.02	16.3	2.04								
	5	604	5218	13116		12572		11996		11387		10786		10195		9526		8078							
				23	2.35	23	2.36	22	2.38	21	2.41	20	2.45	20	2.49	19.1	2.51	17.2	2.57						
7-1/2	646	5581	14029		13520		12989		12426		11856		11304		10741		9389		7910						
			26	2.87	25	2.88	24	2.90	23	2.93	23	2.97	23	3.01	22	3.05	19.9	3.10	18.1	3.11					
5	767	6626	16656		16229		15794		15339		14864		14381		13905		12977		11908		10738				
			34	4.80	34	4.82	33	4.84	32	4.86	31	4.90	30	4.94	30	4.99	29	5.09	28	5.15	26	5.21			
7-1/2	880	7602	19110		18739		18363		17978		17578		17165		16745		15913		15107		14237		12224		
			43	7.26	43	7.27	42	7.29	41	7.32	40	7.35	40	7.39	40	7.44	38	7.55	37	7.66	36	7.75	32	7.88	

365 TLC-B

Catalog Number	Mtr. HP	Fan RPM	Tip Speed	CFM vs. Static Pressure																					
				0 SP		1/8 SP		1/4 SP		3/8 SP		1/2 SP		5/8 SP		3/4 SP		1 SP		1-1/4 SP		1-1/2 SP		2 SP	
				Sone	BHP	Sone	BHP	Sone	BHP	Sone	BHP	Sone	BHP	Sone	BHP	Sone	BHP	Sone	BHP	Sone	BHP	Sone	BHP	Sone	BHP
365TLC-B	3/4	263	2513	8113		6831		4326																	
				6.8	.34	5.3	.37	4.2	.34																
	1	334	3191	10304		9439		8132		6358															
				10.1	.69	8.3	.74	7.6	.77	6.6	.74														
	1-1/2	368	3516	11352		10589		9504		8185															
				11.9	.92	10.0	.98	9.3	1.02	8.3	1.02														
	2	396	3784	12216		11516		10599		9416		7986													
				13.6	1.15	11.7	1.21	10.7	1.26	9.9	1.28	8.9	1.24												
	3	423	4042	13049		12399		11607		10529		9361		7578											
				15.1	1.4	13.4	1.47	12.2	1.53	11.6	1.55	10.5	1.54	9.5	1.48										
	5	466	4452	14376		13791		13131		12244		11238		10137		8522									
				17.9	1.87	16.2	1.95	14.8	2.02	14.2	2.06	13.4	2.08	12.3	2.06	11.4	1.99								
	7-1/2	535	5112	16504		15999		15460		14828		14017		13141		12235		9581							
				22	2.84	22	2.92	19.5	3.01	18.6	3.08	18.0	3.12	17.3	3.14	16.4	3.14	14.6	2.99						
7-1/2	682	6516	19620		19196		18761		18294		17768		17134		16406		14923		13173						
			29	4.76	28	4.87	27	4.97	25	5.07	25	5.15	24	5.22	24	5.26	22	5.28	20	5.19					
7-1/2	728	6956	21039		20644		20241		19819		19358		18832		18208		16837		15409		13602				
			33	5.88	31	5.99	30	6.1	29	6.2	28	6.3	27	6.39	27	6.45	26	6.51	24	6.49	22	6.34			
7-1/2	728	6956	22458		22089		21713		21324		20910		20458		19934		18689		17401		15997				
			36	7.15	35	7.26	34	7.38	33	7.5	31	7.61	31	7.71	30	7.79	29	7.89	28	7.93	26	7.86			

402 TLC-B

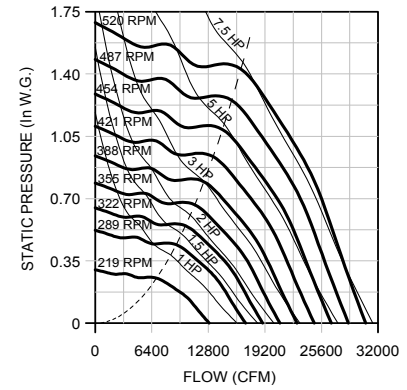
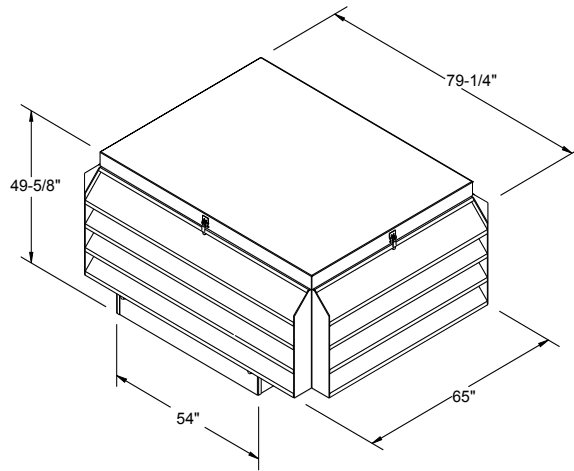
Catalog Number	Mtr. HP	Fan RPM	Tip Speed	CFM vs. Static Pressure																					
				0 SP		1/8 SP		1/4 SP		3/8 SP		1/2 SP		5/8 SP		3/4 SP		1 SP		1-1/4 SP		1-1/2 SP		2 SP	
				Sone	BHP	Sone	BHP	Sone	BHP	Sone	BHP	Sone	BHP	Sone	BHP	Sone	BHP	Sone	BHP	Sone	BHP	Sone	BHP	Sone	BHP
402TLC-B	3/4	280	2950	12132		10878		8855																	
				11.5	.68	8.1	.74	7.2	.75																
	1	309	3256	13389		12304		10573		8719															
				13.7	.91	10.0	.99	8.9	1.02	8.2	1.01														
	1-1/2	355	3740	15382		14469		13235		11552		9929													
				17.2	1.39	13.5	1.47	11.9	1.54	10.9	1.53	10.2	1.52												
	2	391	4120	16942		16123		15132		13701		12232		10591											
				20	1.85	16.5	1.94	14.4	2.03	13.4	2.07	12.5	2.04	11.8	2.02										
	3	420	4425	18199		17442		16576		15387		13936		12653		10492									
				22	2.30	19.2	2.39	16.8	2.49	15.8	2.57	14.9	2.54	14.0	2.53	13.2	2.44								
	5	449	4731	19455		18750		17973		16980		15672		14369		13166									
				25	2.81	22	2.91	19.5	3.01	18.4	3.11	17.5	3.13	16.6	3.09	15.8	3.09								
	7-1/2	491	5173	21275		20633		19948		19146		18106		16864		15691		13001							
				28	3.67	26	3.78	24	3.90	22	4.01	21	4.09	20	4.08	19.5	4.04	18.0	3.98						
7-1/2	533	5616	23095		22505		21889		21205		20372		19339		18182		16110		12042						
			32	4.69	30	4.82	28	4.94	26	5.06	25	5.18	25	5.25	24	5.21	22	5.17	20	4.75					
7-1/2	573	6037	24828		24280		23715		23108		22410		21563		20556		18472		16549						
			37	5.83	35	5.97	33	6.10	31	6.23	30	6.36	29	6.47	28	6.52	26	6.42	25	6.42					
7-1/2	612	6448	26518		26006		25481		24927		24320		23608		22767		20788		18973		16975				
			41	7.11	39	7.25	37	7.39	36	7.53	35	7.67	34	7.81	33	7.91	31	7.89	29	7.82	25	7.80			

Performance certified is for Installation Type A: free inlet, free outlet. The sound ratings shown are loudness values in fan sones at 5 ft. (1.5 m.) in a hemispherical free field calculated per AMCA Standard 301. Values shown are for installation Type A free inlet fan sone levels. Power rating (BHP) does not include transmission losses. Performance ratings do not include the effects of appurtenances (accessories). Shaded area indicates reinforced wheel required.

445-540 TLC-B Data

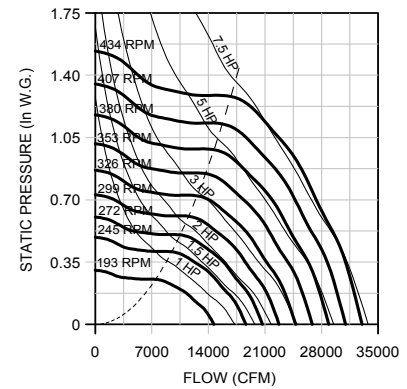
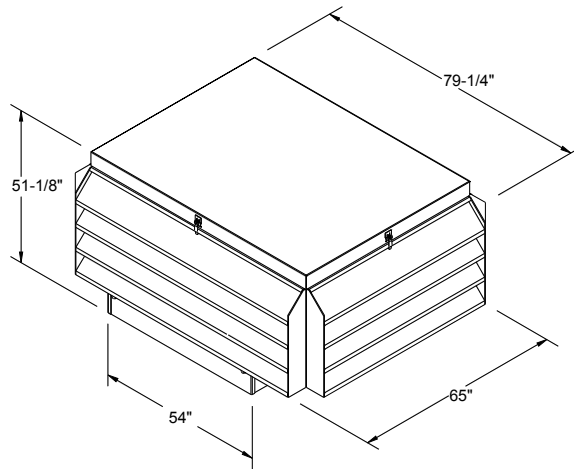
445 TLC-B

- Wheel Diameter = 44.5
- Tip Speed (FPM) = 11.7 x RPM
- Maximum RPM (Standard Wheel) = 463
- Maximum RPM (Reinforced Wheel) = 520
- Maximum BHP = $56.4 \times (\text{RPM}/1000)^3$
- Maximum Motor Frame = 213T
- Approx. Ship Wt. (Less Motor) = 635 lbs.
- Roof Curb = RCG, RCA 52
- Roof Opening = 49-1/2" sq.



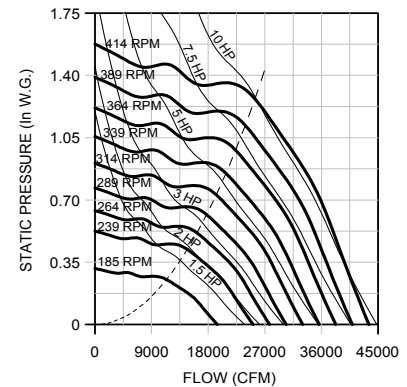
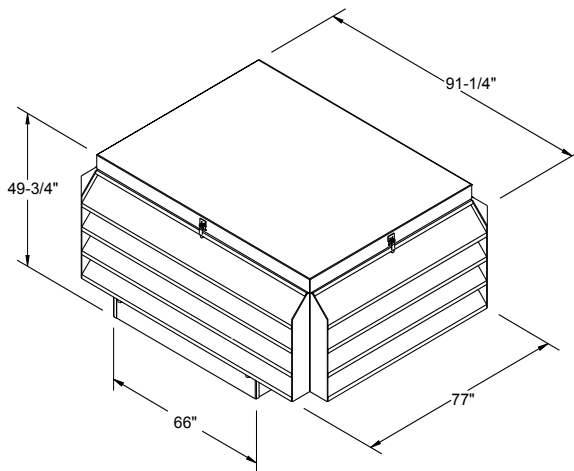
490 TLC-B

- Wheel Diameter = 49
- Tip Speed (FPM) = 12.8 x RPM
- Maximum RPM (Standard Wheel) = 360
- Maximum RPM (Reinforced Wheel) = 434
- Maximum BHP = $96.9 \times (\text{RPM}/1000)^3$
- Maximum Motor Frame = 213T
- Approx. Ship Wt. (Less Motor) = 665 lbs.
- Roof Curb = RCG, RCA 52
- Roof Opening = 49-1/2" sq.



540 TLC-B

- Wheel Diameter = 54
- Tip Speed (FPM) = 14.1 x RPM
- Maximum RPM (Standard Wheel) = 347
- Maximum RPM (Reinforced Wheel) = 414
- Maximum BHP = $148.3 \times (\text{RPM}/1000)^3$
- Maximum Motor Frame = 215T
- Approx. Ship Wt. (Less Motor) = 790 lbs.
- Roof Curb = RCG, RCA 64
- Roof Opening = 61-1/2" sq.



Performance certified is for Installation Type A: free inlet, free outlet. The sound ratings shown are loudness values in fan zones at 5 ft. (1.5 m.) in a hemispherical free field calculated per AMCA Standard 301. Values shown are for installation Type A free inlet fan zone levels. Power rating (BHP) does not include transmission losses. Performance ratings do not include the effects of appurtenances (accessories) in the airstream.

445 TLC-B

Table with columns for Catalog Number, Mtr. HP, Fan RPM, Tip Speed, and CFM vs. Static Pressure (0 SP, 1/8 SP, 1/4 SP, 3/8 SP, 1/2 SP, 5/8 SP, 3/4 SP, 1 SP, 1-1/4 SP, 1-1/2 SP, 2 SP) for model 445TLC-B.

490 TLC-B

Table with columns for Catalog Number, Mtr. HP, Fan RPM, Tip Speed, and CFM vs. Static Pressure (0 SP, 1/8 SP, 1/4 SP, 3/8 SP, 1/2 SP, 5/8 SP, 3/4 SP, 1 SP, 1-1/4 SP, 1-1/2 SP, 2 SP) for model 490TLC-B.

540 TLC-B

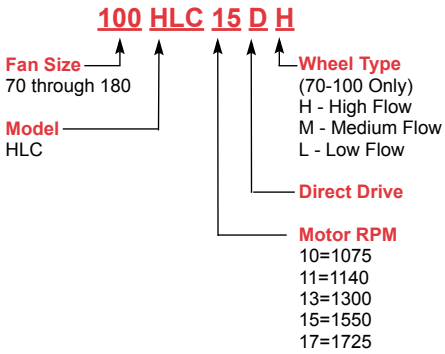
Table with columns for Catalog Number, Mtr. HP, Fan RPM, Tip Speed, and CFM vs. Static Pressure (0 SP, 1/8 SP, 1/4 SP, 3/8 SP, 1/2 SP, 5/8 SP, 3/4 SP, 1 SP, 1-1/4 SP, 1-1/2 SP, 2 SP) for model 540TLC-B.

Performance certified is for Installation Type A: free inlet, free outlet. The sound ratings shown are loudness values in fan sones at 5 ft. (1.5 m.) in a hemispherical free field calculated per AMCA Standard 301. Values shown are for installation Type A free inlet fan sone levels. Power rating (BHP) does not include transmission losses. Performance ratings do not include the effects of appurtenances (accessories). Shaded area indicates reinforced wheel required.

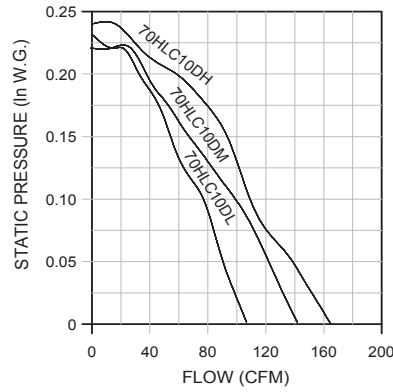
HLC-D Data

Model Number Chart

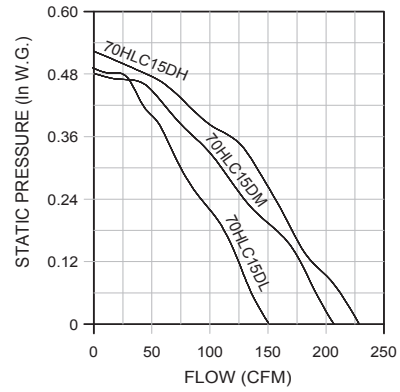
Direct Drive Models



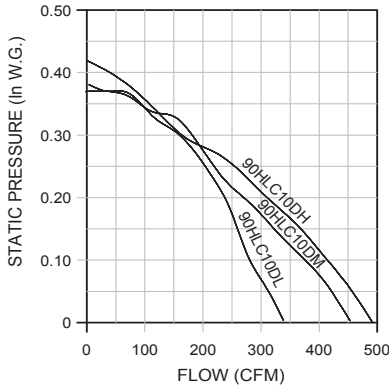
70HLC10DH, 70HLC10DM, 70HLC10DL



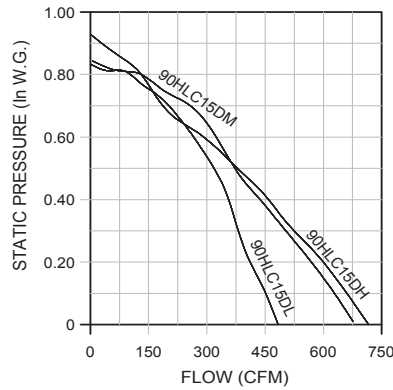
70HLC15DH, 70HLC15DM, 70HLC15DL



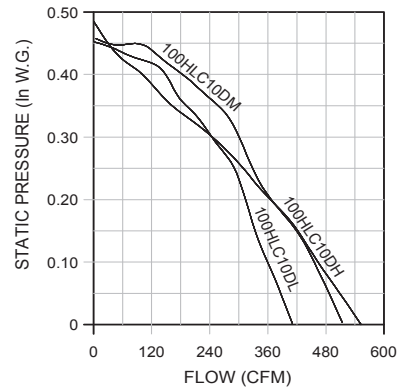
90HLC10DH, 90HLC10DM, 90HLC10DL



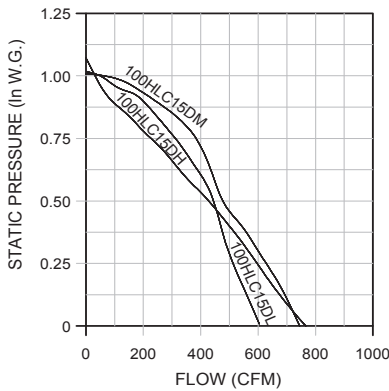
90HLC15DH, 90HLC15DM, 90HLC15DL



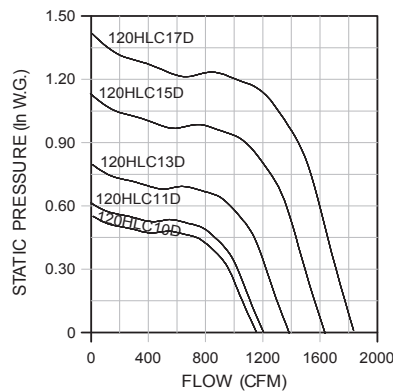
100HLC10DH, 100HLC10DM, 100HLC10DL



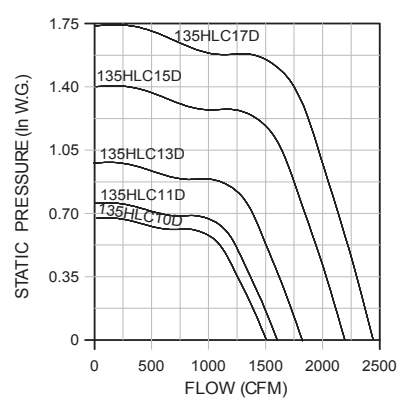
100HLC15DH, 100HLC15DM, 100HLC15DL



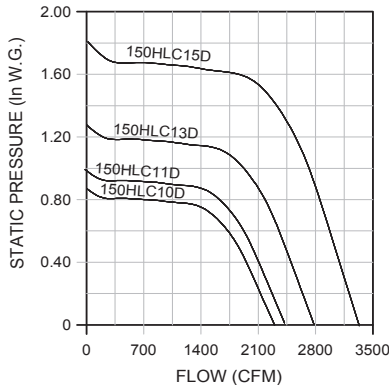
120HLC10D, 120HLC11D, 120HLC13D, 120HLC15D, 120HLC17D



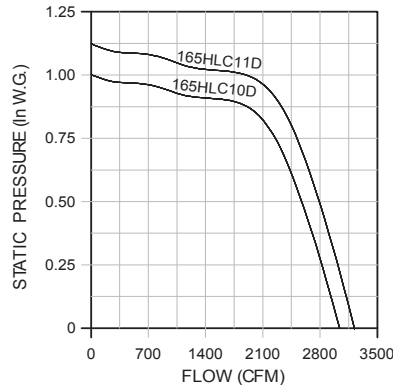
135HLC10D, 135HLC11D, 135HLC13D, 135HLC15D, 135HLC17D



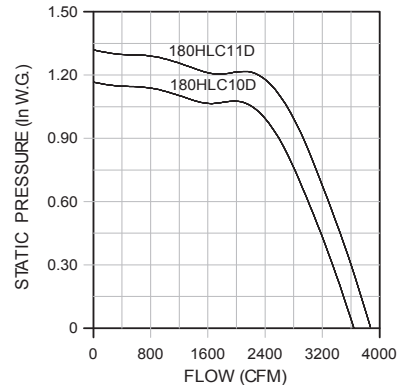
150HLC10D, 150HLC11D, 150HLC13D, 150HLC15D



165HLC10D, 165HLC11D



180HLC10D, 180HLC11D



Performance certified is for Installation Type A: free

inlet, free outlet. The sound ratings shown are loudness values in fan sones at 5 ft. (1.5 m.) in a hemispherical free field calculated per AMCA Standard 301. Values shown are for installation Type A free inlet fan sone levels. Speed (RPM) shown is nominal. Performance is based on actual speed of test for model sizes 70-100. All others are at constant

HLC-D

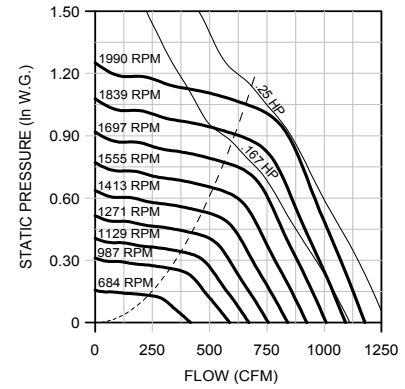
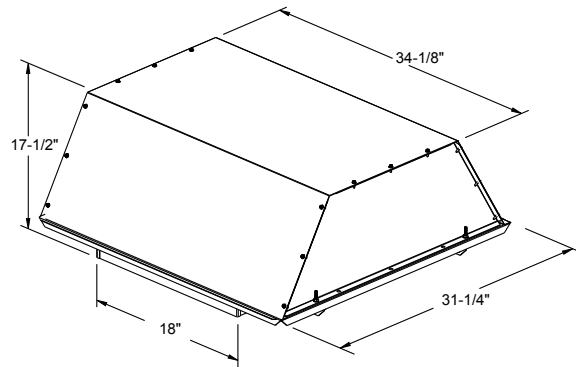
Catalog Number	Mtr. HP	Fan RPM	Tip Speed	Watts HP	CFM at Static Pressure																					
					0 SP		1/8 SP		1/4 SP		3/8 SP		1/2		5/8		3/4		7/8		1		1-1/4		1-1/2	
					Sone	BHP	Sone	BHP	Sone	BHP	Sone	BHP	Sone	BHP	Sone	BHP	Sone	BHP	Sone	BHP	Sone	BHP	Sone	BHP	Sone	BHP
70HLC10DH	1/25	1175	2153	72	165	102																				
70HLC10DM		1180	2162	70	2.4	2.8																				
70HLC10DL		1182	2166		142	83																				
70HLC15DH	1/20	1650	3024	99	2.7	2.6																				
70HLC15DM		1680	3079	90	106	62																				
70HLC15DL		1710	3134	85	2.5	2.3																				
90HLC10DH	1/25	1130	2699	88	229	186	154	106																		
90HLC10DM		1145	2735	83	4.3	3.7	3.5	3.3																		
90HLC10DL		1155	2759	78	206	176	126	77																		
90HLC15DH	1/8	1600	3822	161	4.1	4.0	4.1	4.0																		
90HLC15DM		1665	3978	130	151	124	89	59																		
90HLC15DL		1705	4073	104	4.6	4.5	4.9	4.2																		
100HLC10DH	1/25	1100	2916	98	492	392	255																			
100HLC10DM		1125	2982	88	5.4	4.8	4.3																			
100HLC10DL		1135	3009	86	455	347	218																			
100HLC15DH	1/8	1550	4109	236	5.9	5.6	5.4																			
100HLC15DM		1650	4374	174	335	264	198																			
100HLC15DL		1675	4440	157	5.8	5.3	5.1																			
120HLC10D	1/6	1075	3377	-	717	646	564	475	379	263	159															
120HLC10D	1/2	1725	5419	-	9.7	9.1	8.6	8.4	8.2	8.2	8.2															
120HLC11D	1/6	1140	3581	-	670	603	524	441	362	300	170															
120HLC13D	1/4	1300	4084	-	22	12.0	8.6	8.0	7.4	6.9	6.5															
120HLC15D		1550	4869	-	483	442	395	363	318	251	155															
120HLC17D	1/2	1725	5419	1828	8.4	7.9	7.5	7.0	6.6	6.5	6.5															
135HLC10D	1/6	1075	3799	-	553	443	309	131																		
135HLC11D		1140	4029	-	5.5	5.1	4.4	4.3																		
135HLC13D	1/2	1300	4595	-	510	432	322	211																		
135HLC15D		1550	5478	-	408	342	287	164																		
150HLC10D	1/3	1075	4222	-	766	675	597	517	427	326	227	114														
150HLC11D		1140	4477	-	9.8	9.3	8.8	8.4	8.0	8.0	7.9	7.9														
150HLC13D	3/4	1300	5105	-	744	693	628	558	477	435	384	273														
150HLC15D		1550	6087	-	10.4	9.8	9.2	8.8	8.4	8.1	7.9	7.7														
165HLC10D	1/2	1075	4644	-	600	552	506	470	438	379	302	209														
165HLC11D	3/4	1140	4924	-	10.1	9.7	9.3	8.7	8.2	8.1	7.9	7.8														
180HLC11D	3/4	1075	5066	-	1137	1054	977	857																		
180HLC11D		1140	5372	-	8.3	.07	7.9	.08	7.3	.09	6.9	.09														

Performance certified is for Installation Type A: free inlet, free outlet. The sound ratings shown are loudness values in fan sones at 5 ft. (1.5 m.) in a hemispherical free field calculated per AMCA Standard 301. Values shown are for installation Type A free inlet fan sone levels. Speed (RPM) shown is nominal. Performance is based on actual speed of test for model sizes 70-100. All others are at constant RPM. Performance ratings do not include the effects of appurtenances (accessories).

100-135 HLC-B Data

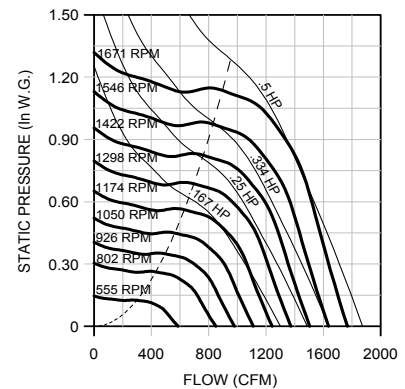
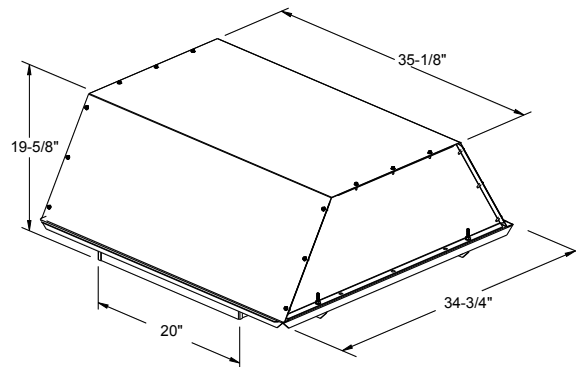
100 HLC-B

Wheel Diameter = 10
Tip Speed (FPM) = 2.6 x RPM
Maximum RPM = 1990
Maximum BHP = .03 x (RPM/1000)³
Maximum Motor Frame = 48
Approx. Ship Wt. (Less Motor) = 70 lbs.
Roof Curb = RCG, RCA 16
Roof Opening = 13-1/2" sq.



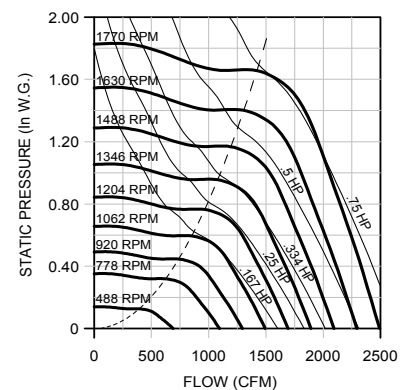
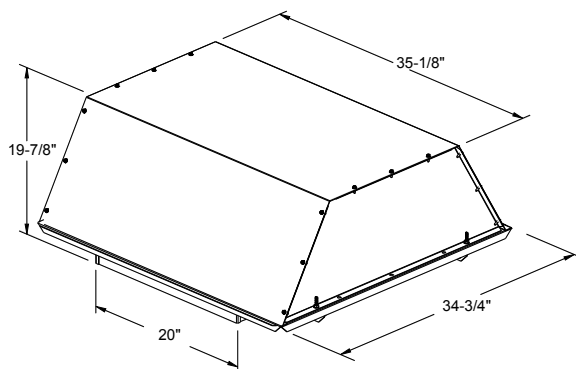
120 HLC-B

Wheel Diameter = 12
Tip Speed (FPM) = 3.1 x RPM
Maximum RPM = 1671
Maximum BHP = .11 x (RPM/1000)³
Maximum Motor Frame = 56
Approx. Ship Wt. (Less Motor) = 170 lbs.
Roof Curb = RCG, RCA 18
Roof Opening = 15-1/2" sq.



135 HLC-B

Wheel Diameter = 13.5
Tip Speed (FPM) = 3.5 x RPM
Maximum RPM = 1770
Maximum BHP = .14 x (RPM/1000)³
Maximum Motor Frame = 56
Approx. Ship Wt. (Less Motor) = 170 lbs.
Roof Curb = RCG, RCA 18
Roof Opening = 15-1/2" sq.



Performance certified is for Installation Type A: free inlet, free outlet. The sound ratings shown are loudness values in fan zones at 5 ft. (1.5 m.) in a hemispherical free field calculated per AMCA Standard 301. Values shown are for installation Type A free inlet fan zone levels. Power rating (BHP) does not include transmission losses. Performance ratings do not include the effects of appurtenances (accessories) in the airstream.

100 HLC-B

Catalog Number	Mtr. HP	Fan RPM	Tip Speed	CFM vs. Static Pressure																					
				0 SP		1/8 SP		1/4 SP		3/8 SP		1/2 SP		5/8 SP		3/4 SP		1 SP		1-1/4 SP		1-1/2 SP		2 SP	
				Sone	BHP	Sone	BHP	Sone	BHP	Sone	BHP	Sone	BHP	Sone	BHP	Sone	BHP	Sone	BHP	Sone	BHP	Sone	BHP	Sone	BHP
100HLC-B	1/6	684	1790	406		230																			
				2.6	.01	2.1	.01																		
		893	2337	530		430																			
				4.5	.02	4.2	.02																		
		1102	2885	655		574		492																	
				6.7	.03	6.3	.04	5.9	.04																
		1311	3432	779		713		642		573															
	9.0			.06	8.7	.06	8.3	.07	7.9	.07															
	1520	3979	903		847		786		726		666														
			11.5	.09	11.3	.09	11.1	.10	10.6	.11	10.1	.11													
	1731	4531	1028		979		928		873		821		770		684										
			14.6	.13	14.4	.14	14.2	.14	13.9	.15	13.5	.16	13.0	.16	12.5	.16									
	1/4	1796	4701	1067		1020		970		918		867		819		759									
				15.5	.15	15.4	.15	15.3	.16	14.9	.17	14.5	.17	14.1	.18	13.6	.18								
1861		4872	1105		1060		1013		962		912		866		815										
			16.5	.16	16.4	.17	16.3	.18	16.0	.18	15.7	.19	15.2	.20	14.7	.20									
1926		5042	1144		1100		1055		1007		958		912		866										
	17.6		.18	17.4	.19	17.3	.19	17.1	.20	16.8	.21	16.4	.22	15.9	.22										
1990	5209	1182		1140		1096		1050		1002		957		913		776									
		18.6	.20	18.5	.21	18.4	.21	18.1	.22	17.8	.23	17.5	.24	17.1	.24	16.2	.25								

120 HLC-B

Catalog Number	Mtr. HP	Fan RPM	Tip Speed	CFM vs. Static Pressure																					
				0 SP		1/8 SP		1/4 SP		3/8 SP		1/2 SP		5/8 SP		3/4 SP		1 SP		1-1/4 SP		1-1/2 SP		2 SP	
				Sone	BHP	Sone	BHP	Sone	BHP	Sone	BHP	Sone	BHP	Sone	BHP	Sone	BHP	Sone	BHP	Sone	BHP	Sone	BHP	Sone	BHP
120HLC-B	1/6	555	1743	587		304																			
				2.1	.02	1.9	.02																		
		752	2362	796		681																			
				4.1	.04	3.5	.04																		
	949	2981	1004		911		816																		
			6.5	.08	6.1	.08	5.5	.09																	
	1145	3597	1211		1133		1060		974		785														
			9.4	.13	9.0	.14	8.4	.15	8.0	.16	7.6	.15													
	1/4	1231	3867	1302		1229		1160		1091		970													
				10.8	.17	10.3	.18	9.8	.19	9.3	.20	8.9	.20												
	1316	4134	1392		1324		1258		1196		1115		966												
			11.9	.20	11.4	.21	11.0	.22	10.5	.24	10.0	.25	9.6	.23											
	1/3	1386	4354	1466		1401		1338		1279		1214		1102		898									
				12.7	.24	12.4	.25	12.0	.26	11.5	.27	11.1	.29	10.7	.28	10.3	.26								
1455	4571	1539		1477		1417		1360		1302		1221		1086											
		13.7	.28	13.3	.29	13.0	.30	12.5	.31	12.1	.33	11.7	.33	11.3	.32										
1/2	1563	4910	1654		1596		1539		1485		1433		1374		1287										
			15.2	.34	14.9	.35	14.5	.37	14.2	.38	13.7	.40	13.3	.41	12.9	.41									
1671	5249	1768		1714		1660		1609		1560		1510		1451		1235									
		17.0	.42	16.6	.43	16.3	.44	15.9	.46	15.5	.47	15.1	.49	14.7	.51	13.9	.48								

135 HLC-B

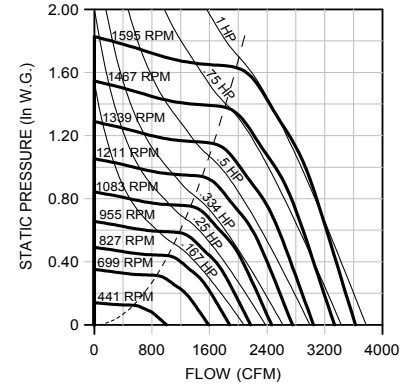
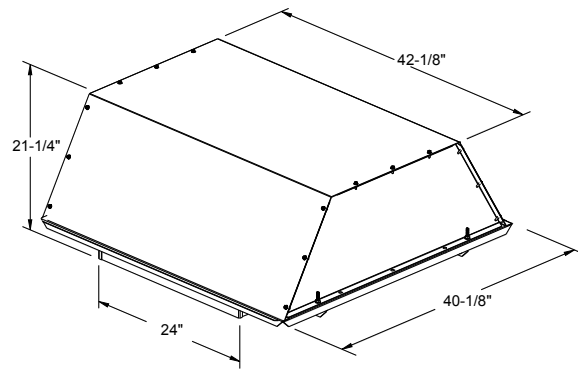
Catalog Number	Mtr. HP	Fan RPM	Tip Speed	CFM vs. Static Pressure																					
				0 SP		1/8 SP		1/4 SP		3/8 SP		1/2 SP		5/8 SP		3/4 SP		1 SP		1-1/4 SP		1-1/2 SP		2 SP	
				Sone	BHP	Sone	BHP	Sone	BHP	Sone	BHP	Sone	BHP	Sone	BHP	Sone	BHP	Sone	BHP	Sone	BHP	Sone	BHP	Sone	BHP
135HLC-B	1/6	488	1724	687		402																			
				2.5	.01	1.9	.02																		
		771	2724	1085		964		823																	
	5.7			.05	4.7	.06	4.6	.06																	
	1054	3725	1483		1398		1304		1204		1089														
			9.7	.13	8.9	.14	8.4	.15	8.0	.16	7.9	.16													
	1/4	1132	4000	1593		1514		1429		1336		1242		1096											
				11.0	.16	10.3	.17	9.7	.18	9.3	.19	9.0	.20	9.0	.20										
	1211	4280	1704		1630		1552		1467		1380		1286		1085										
			12.3	.20	11.6	.21	11.0	.22	10.5	.23	10.1	.24	9.9	.25	10.1	.24									
	1/3	1339	4732	1884		1818		1749		1675		1596		1517		1433									
				14.1	.27	13.5	.28	13.0	.29	12.5	.30	12.1	.31	11.8	.32	11.7	.33								
	1/2	1439	5085	2025		1963		1900		1833		1761		1687		1614		1409							
				15.5	.34	15.0	.35	14.5	.36	14.2	.37	13.9	.38	13.6	.39	13.3	.40	13.3	.41						
1538	5435	2164		2106		2047		1986		1921		1852		1783		1639									
		17.2	.41	16.8	.42	16.4	.44	16.1	.45	15.8	.46	15.4	.47	15.2	.48	14.8	.50								
3/4	1654	5845	2327		2274		2219		2163		2104		2042		1978		1850		1693						
			19.5	.51	19.1	.52	18.8	.54	18.4	.55	18.1	.56	17.8	.58	17.5	.59	17.0	.61	16.6	.63					
1770	6255	2490		2440		2390		2338		2284		2228		2169		2049		1928		1747					
		22	.63	22	.64	21	.65	21	.67	21	.68	20	.70	20	.71	19.5	.73	19.0	.76	19.0	.77				

Performance certified is for Installation Type A: free inlet, free outlet. The sound ratings shown are loudness values in fan sones at 5 ft. (1.5 m.) in a hemispherical free field calculated per AMCA Standard 301. Values shown are for installation Type A free inlet fan sone levels. Power rating (BHP) does not include transmission losses. Performance ratings do not include the effects of appurtenances (accessories).

150-180 HLC-B Data

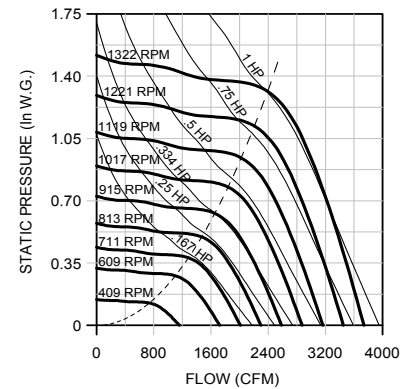
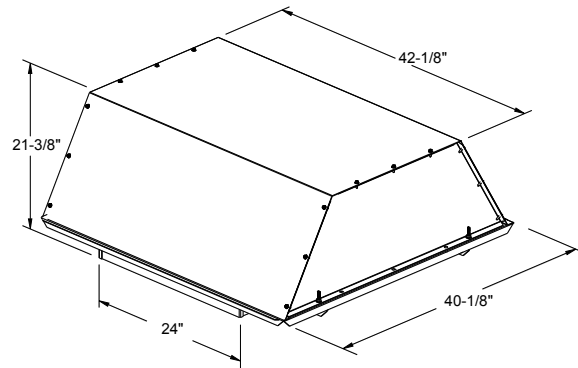
150 HLC-B

Wheel Diameter = 15
Tip Speed (FPM) = 3.9 x RPM
Maximum RPM = 1608
Maximum BHP = .25 x (RPM/1000)³
Maximum Motor Frame = 143T
Approx. Ship Wt. (Less Motor) = 195 lbs.
Roof Curb = RCG, RCA 22
Roof Opening = 19-1/2" sq.



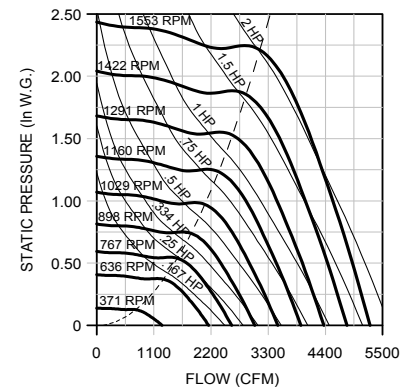
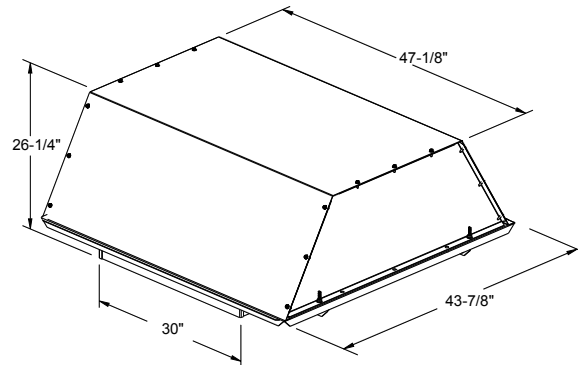
165 HLC-B

Wheel Diameter = 16.5
Tip Speed (FPM) = 4.3 x RPM
Maximum RPM = 1322
Maximum BHP = .45 x (RPM/1000)³
Maximum Motor Frame = 143T
Approx. Ship Wt. (Less Motor) = 195 lbs.
Roof Curb = RCG, RCA 22
Roof Opening = 19-1/2" sq.



180 HLC-B

Wheel Diameter = 18
Tip Speed (FPM) = 4.7 x RPM
Maximum RPM = 1553
Maximum BHP = .56 x (RPM/1000)³
Maximum Motor Frame = 145T
Approx. Ship Wt. (Less Motor) = 225 lbs.
Roof Curb = RCG, RCA 28
Roof Opening = 25-1/2" sq.



Performance certified is for Installation Type A: free inlet, free outlet. The sound ratings shown are loudness values in fan zones at 5 ft. (1.5 m.) in a hemispherical free field calculated per AMCA Standard 301. Values shown are for installation Type A free inlet fan zone levels. Power rating (BHP) does not include transmission losses. Performance ratings do not include the effects of appurtenances (accessories) in the airstream.

150 HLC-B

Catalog Number	Mtr. HP	Fan RPM	Tip Speed	CFM vs. Static Pressure																					
				0 SP		1/8 SP		1/4 SP		3/8 SP		1/2 SP		5/8 SP		3/4 SP		1 SP		1-1/4 SP		1-1/2 SP		2 SP	
				Sone	BHP	Sone	BHP	Sone	BHP	Sone	BHP	Sone	BHP	Sone	BHP	Sone	BHP	Sone	BHP	Sone	BHP	Sone	BHP	Sone	BHP
150HLC-B	1/6	441	1731	1002																					
				2.1	.02																				
	861	3381	1957		1803		1644		1396																
			8.2	.14	7.5	.15	6.3	.16	5.3	.16															
	1/4	990	3887	2250		2116		1981		1833		1596													
				10.2	.21	9.6	.22	8.7	.24	7.7	.25	6.9	.24												
	1/3	1094	4296	2487		2365		2244		2119		1969		1735		1460									
				12.0	.29	11.5	.30	10.7	.31	9.9	.33	9.1	.33	8.4	.32	7.7	.31								
	1/2	1175	4614	2671		2558		2444		2331		2207		2041		1812									
				13.8	.35	13.3	.37	12.7	.38	11.9	.40	11.1	.41	10.3	.41	9.6	.40								
	1256	4932	2855		2749		2643		2537		2427		2301		2122										
			15.7	.43	15.3	.45	14.7	.46	13.9	.48	13.1	.50	12.3	.51	11.6	.50									
	3/4	1351	5305	3071		2972		2874		2775		2676		2570		2446		2070							
				17.5	.54	17.1	.56	16.5	.57	15.9	.59	15.1	.61	14.3	.62	13.5	.63	12.2	.60						
	1446	5678	3287		3195		3103		3011		2919		2824		2723		2435		2058						
			19.5	.66	18.9	.68	18.4	.70	17.8	.72	17.1	.73	16.3	.75	15.6	.77	14.2	.76	12.9	.73					
	1	1520	5969	3455		3368		3280		3192		3105		3017		2924		2697		2351					
				21	.77	21	.79	20	.81	19.6	.82	18.8	.84	17.9	.86	17.2	.88	15.8	.90	14.5	.86				
1595	6263	3626		3542		3459		3375		3292		3208		3123		2930		2639		2302					
		23	.89	23	.91	22	.93	22	.95	21	.97	19.9	.99	19.0	1.01	17.4	1.03	16.2	1.01	15.0	.99				

165 HLC-B

Catalog Number	Mtr. HP	Fan RPM	Tip Speed	CFM vs. Static Pressure																					
				0 SP		1/8 SP		1/4 SP		3/8 SP		1/2 SP		5/8 SP		3/4 SP		1 SP		1-1/4 SP		1-1/2 SP		2 SP	
				Sone	BHP	Sone	BHP	Sone	BHP	Sone	BHP	Sone	BHP	Sone	BHP	Sone	BHP	Sone	BHP	Sone	BHP	Sone	BHP	Sone	BHP
165HLC-B	1/6	409	1766	1156		747																			
				2.4	.03	2.4	.03																		
	714	3084	2018		1854		1661		1339																
			7.4	.13	6.9	.15	6.3	.16	6.5	.16															
	1/4	821	3546	2321		2180		2025		1840		1519													
				9.5	.20	9.1	.22	8.6	.24	8.1	.25	8.1	.24												
	1/3	907	3917	2564		2437		2301		2148		1964													
				11.5	.27	11.1	.30	10.6	.32	10.0	.33	9.6	.33												
	1/2	975	4211	2756		2638		2514		2379		2225		2027											
				13.2	.34	12.8	.37	12.4	.39	11.8	.40	11.3	.41	10.9	.41										
	1042	4501	2946		2835		2721		2598		2462		2307		2092										
			15.0	.41	14.6	.44	14.2	.47	13.6	.49	13.0	.50	12.7	.50	12.3	.50									
	3/4	1120	4838	3166		3064		2959		2847		2727		2595		2443									
				17.2	.51	16.8	.55	16.4	.57	16.0	.60	15.4	.61	14.9	.62	14.5	.63								
	1199	5179	3390		3294		3196		3095		2987		2870		2742		2393								
			19.7	.63	19.2	.66	18.8	.69	18.4	.72	17.8	.74	17.2	.75	16.8	.76	16.1	.77							
	1	1261	5447	3565		3474		3382		3286		3186		3078		2963		2688							
				21	.73	21	.77	20	.80	20	.83	19.5	.85	18.9	.87	18.4	.88	17.6	.90						
1322	5710	3737		3651		3563		3473		3379		3279		3173		2933		2568							
		23	.85	22	.88	22	.92	22	.95	21	.98	21	1.00	20	1.01	19.2	1.03	18.5	1.02						

180 HLC-B

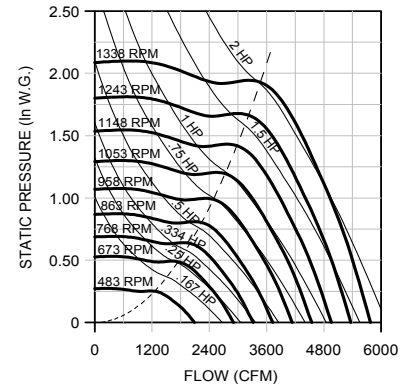
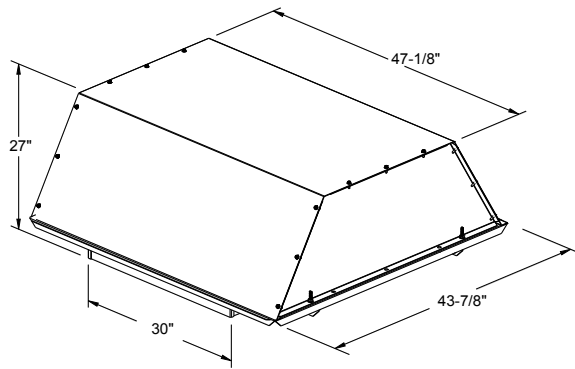
Catalog Number	Mtr. HP	Fan RPM	Tip Speed	CFM vs. Static Pressure																					
				0 SP		1/8 SP		1/4 SP		3/8 SP		1/2 SP		5/8 SP		3/4 SP		1 SP		1-1/4 SP		1-1/2 SP		2 SP	
				Sone	BHP	Sone	BHP	Sone	BHP	Sone	BHP	Sone	BHP	Sone	BHP	Sone	BHP	Sone	BHP	Sone	BHP	Sone	BHP	Sone	BHP
180HLC-B	1/6	371	1748	1256		767																			
				2.5	.02	2.0	.03																		
	663	3124	2245		2044		1808		1492																
			7.8	.13	7.2	.14	6.7	.16	6.3	.16															
	1/4	762	3590	2580		2408		2214		1999		1699													
				9.8	.19	9.2	.21	8.7	.23	8.3	.24	8.0	.25												
	1/3	842	3967	2851		2697		2528		2340		2135		1826											
				11.5	.26	11.0	.28	10.5	.30	10.0	.32	9.7	.33	9.4	.33										
	1/2	967	4556	3274		3141		3000		2846		2681		2505		2287									
				14.9	.39	14.4	.42	13.9	.44	13.4	.46	12.9	.48	12.5	.50	12.1	.51								
	3/4	1113	5244	3769		3653		3534		3408		3272		3129		2981		2621							
				19.2	.60	18.7	.63	18.2	.65	17.7	.68	17.1	.71	16.6	.73	16.1	.75	15.3	.77						
	1	1228	5786	4158		4053		3946		3835		3718		3593		3463		3190		2834					
				22	.80	22	.83	21	.86	21	.89	20	.92	19.6	.95	19.1	.98	18.3	1.02	17.6	1.03				
	1-1/2	1410	6644	4774		4683		4591		4497		4400		4297		4191		3966		3732		3461			
				27	1.22	26	1.25	26	1.28	26	1.32	25	1.35	25	1.39	24	1.42	23	1.48	23	1.53	22	1.56		
	2	1482	6983	5018		4931		4844		4755		4663		4568		4469		4260		4041		3807			
				29	1.41	29	1.45	28	1.48	28	1.52	27	1.55	27	1.59	27	1.63	26	1.69	25	1.75	24	1.80	23	1.77
1553	7318	5258		5176		5092		5008		4921		4833		4740		4544		4338		4125		3583			
		31	1.63	31	1.66	30	1.70	30	1.74	30	1.77	29	1.81	29	1.85	28	1.92	27	1.99	27	2.05	25	2.09		

Performance certified is for Installation Type A: free inlet, free outlet. The sound ratings shown are loudness values in fan sones at 5 ft. (1.5 m.) in a hemispherical free field calculated per AMCA Standard 301. Values shown are for installation Type A free inlet fan sone levels. Power rating (BHP) does not include transmission losses. Performance ratings do not include the effects of appurtenances (accessories).

195-225 HLC-B Data

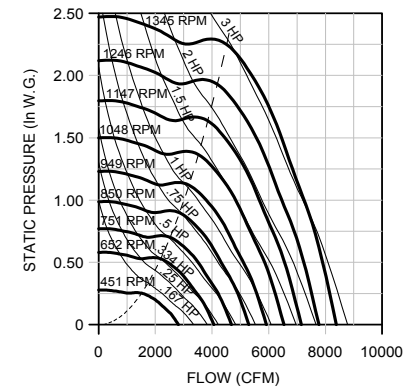
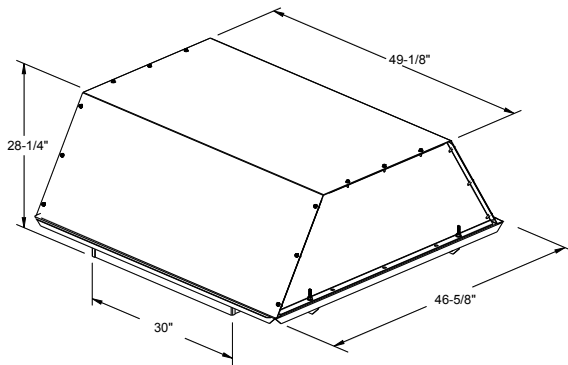
195 HLC-B

- Wheel Diameter = 19.5
- Tip Speed (FPM) = 5.1 x RPM
- Maximum RPM = 1338
- Maximum BHP = $.87 \times (\text{RPM}/1000)^3$
- Maximum Motor Frame = 145T
- Approx. Ship Wt. (Less Motor) = 225 lbs.
- Roof Curb = RCG, RCA 28
- Roof Opening = 25-1/2" sq.



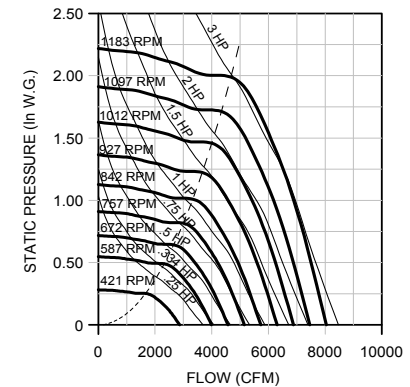
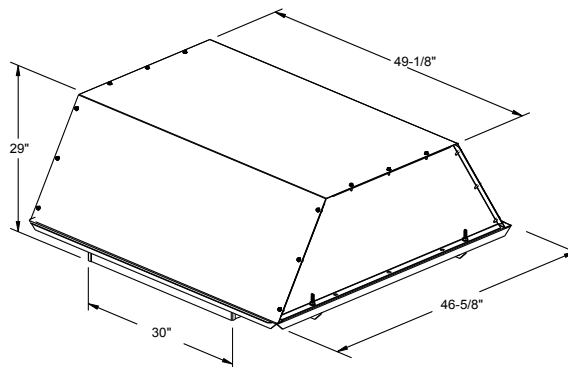
210 HLC-B

- Wheel Diameter = 21
- Tip Speed (FPM) = 5.5 x RPM
- Maximum RPM (Standard Wheel) = 1277
- Maximum RPM (Reinforced Wheel) = 1345
- Maximum BHP = $1.3 \times (\text{RPM}/1000)^3$
- Maximum Motor Frame = 184T
- Approx. Ship Wt. (Less Motor) = 260 lbs.
- Roof Curb = RCG, RCA 28
- Roof Opening = 25-1/2" sq.



225 HLC-B

- Wheel Diameter = 22.5
- Tip Speed (FPM) = 5.9 x RPM
- Maximum RPM (Standard Wheel) = 1152
- Maximum RPM (Reinforced Wheel) = 1183
- Maximum BHP = $1.9 \times (\text{RPM}/1000)^3$
- Maximum Motor Frame = 184T
- Approx. Ship Wt. (Less Motor) = 265 lbs.
- Roof Curb = RCG, RCA 28
- Roof Opening = 25-1/2" sq.



Performance certified is for Installation Type A: free inlet, free outlet. The sound ratings shown are loudness values in fan sones at 5 ft. (1.5 m.) in a hemispherical free field calculated per AMCA Standard 301. Values shown are for installation Type A free inlet fan sone levels. Power rating (BHP) does not include transmission losses. Performance ratings do not include the effects of appurtenances (accessories).

195 HLC-B

Catalog Number	Mtr. HP	Fan RPM	Tip Speed	CFM vs. Static Pressure																					
				0 SP		1/8 SP		1/4 SP		3/8 SP		1/2 SP		5/8 SP		3/4 SP		1 SP		1-1/4 SP		1-1/2 SP		2 SP	
				Sone	BHP	Sone	BHP	Sone	BHP	Sone	BHP	Sone	BHP	Sone	BHP	Sone	BHP	Sone	BHP	Sone	BHP	Sone	BHP	Sone	BHP
195HLC-B	1/6	483	2465	2086		1795		1274																	
				5.1	.08	4.6	.09	4.0	.10																
	1/4	570	2909	2461		2233		1915																	
				6.9	.13	6.5	.15	5.8	.16																
	1/3	656	3348	2833		2641		2394		2090															
				8.9	.20	8.6	.22	8.0	.23	7.4	.25														
	1/2	725	3701	3131		2959		2755		2500		2197													
				10.8	.27	10.4	.29	9.9	.31	9.2	.32	8.8	.33												
	3/4	833	4252	3597		3450		3288		3090		2863		2609											
				14.0	.41	13.6	.44	13.2	.46	12.6	.48	12.0	.49	11.5	.50										
	1	958	4890	4137		4009		3875		3725		3548		3352		3143									
				18.2	.62	17.8	.65	17.5	.68	17.1	.71	16.4	.73	15.8	.74	15.3	.76								
	1-1/2	1057	5396	4564		4449		4330		4202		4057		3892		3714		3322							
				21	.83	21	.87	21	.90	20	.93	19.7	.96	19.1	.98	18.4	1.00	17.4	1.03						
	2	1214	6197	5242		5142		5040		4934		4821		4696		4558		4252		3919		3478			
				26	1.26	26	1.3	25	1.34	25	1.38	25	1.41	24	1.44	24	1.47	22	1.51	22	1.56	21	1.55		
	1276	6514	5510		5415		5318		5218		5114		5000		4875		4594		4291		3946				
			28	1.47	28	1.51	27	1.55	27	1.59	27	1.63	26	1.66	26	1.69	25	1.73	24	1.79	23	1.82			
	1338	6830	5777		5687		5595		5501		5403		5299		5185		4928		4646		4343				
			30	1.69	30	1.73	29	1.78	29	1.82	29	1.86	28	1.90	28	1.93	27	1.98	26	2.03	25	2.08			

210 HLC-B

Catalog Number	Mtr. HP	Fan RPM	Tip Speed	CFM vs. Static Pressure																					
				0 SP		1/8 SP		1/4 SP		3/8 SP		1/2 SP		5/8 SP		3/4 SP		1 SP		1-1/4 SP		1-1/2 SP		2 SP	
				Sone	BHP	Sone	BHP	Sone	BHP	Sone	BHP	Sone	BHP	Sone	BHP	Sone	BHP	Sone	BHP	Sone	BHP	Sone	BHP	Sone	BHP
210HLC-B	1/6	451	2479	2813		2368		1560																	
				5.4	.10	4.8	.12	4.4	.11																
	1/4	500	2748	3119		2750		2185																	
				6.5	.13	5.9	.15	5.5	.16																
	1/3	575	3161	3586		3291		2847		2247															
				8.4	.20	7.7	.23	7.3	.24	6.9	.24														
	1/2	635	3491	3960		3701		3327		2899															
				9.8	.28	9.2	.30	8.7	.32	8.3	.33														
	3/4	729	4007	4547		4326		4053		3686		3307		2723											
				12.3	.42	11.8	.44	11.2	.47	10.7	.50	10.3	.50	10.0	.49										
	1	839	4612	5233		5043		4833		4558		4234		3916		3490									
				15.6	.63	15.1	.67	14.6	.70	14.1	.73	13.6	.76	13.3	.77	12.9	.76								
	1-1/2	926	5090	5775		5605		5422		5206		4928		4637		4350		3497							
				18.8	.85	18.2	.89	17.7	.93	17.2	.96	16.7	1.00	16.2	1.02	15.8	1.03	15.2	1.00						
	2	1063	5844	6630		6481		6328		6161		5967		5727		5468		4969		4267					
				24	1.29	24	1.33	23	1.37	23	1.42	22	1.46	21	1.50	21	1.53	20	1.56	19.4	1.54				
3	1172	6443	7310		7175		7038		6893		6734		6551		6333		5871		5407		4765				
			28	1.73	27	1.78	27	1.82	26	1.87	26	1.91	25	1.96	25	2.00	24	2.07	23	2.09	22	2.07			
	1345	7394	8389		8272		8154		8032		7905		7768		7616		7247		6841		6454				
			34	2.61	34	2.67	33	2.72	33	2.77	32	2.82	32	2.88	31	2.93	30	3.03	29	3.11	29	3.15	27	3.12	

225 HLC-B

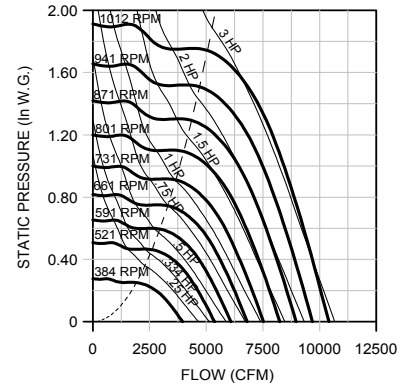
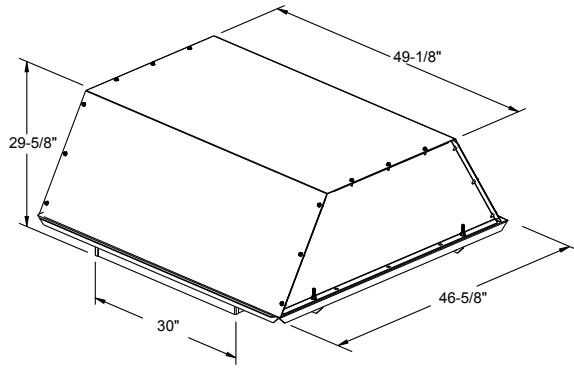
Catalog Number	Mtr. HP	Fan RPM	Tip Speed	CFM vs. Static Pressure																					
				0 SP		1/8 SP		1/4 SP		3/8 SP		1/2 SP		5/8 SP		3/4 SP		1 SP		1-1/4 SP		1-1/2 SP		2 SP	
				Sone	BHP	Sone	BHP	Sone	BHP	Sone	BHP	Sone	BHP	Sone	BHP	Sone	BHP	Sone	BHP	Sone	BHP	Sone	BHP	Sone	BHP
225HLC-B	1/4	421	2479	2863		2463		1725																	
				6.2	.12	5.4	.13	4.6	.14																
	1/3	505	2974	3435		3116		2699																	
				8.7	.20	7.9	.23	7.1	.24																
	1/2	559	3292	3802		3518		3181		2712															
				10.5	.27	9.6	.30	8.9	.31	8.2	.33														
	3/4	642	3781	4366		4122		3853		3522		3094													
				13.5	.41	12.7	.45	12.0	.47	11.3	.48	10.7	.50												
	1	738	4347	5019		4808		4586		4336		4037		3672		3179									
				17.1	.63	16.4	.67	15.7	.70	15.1	.72	14.6	.73	14.0	.76	13.5	.75								
	1-1/2	814	4794	5536		5345		5148		4935		4695		4412		4079									
				20	.84	19.4	.89	18.8	.93	18.2	.95	17.6	.96	17.2	.99	16.8	1.02								
	2	935	5507	6359		6193		6024		5848		5660		5455		5223		4659							
				25	1.27	25	1.33	24	1.38	24	1.43	23	1.45	23	1.46	22	1.48	21	1.55						
	3	1031	6073	7012		6862		6710		6554		6390		6217		6030		5593		5060		4219			
				30	1.71	29	1.77	29	1.83	28	1.88	28	1.92	27	1.94	27	1.96	26	2.01	25	2.09	24	2.00		
	1107	6520	7529		7389		7248		7104		6955		6800		6635		6268		5822		5304				
			34	2.11	33	2.18	33	2.25	32	2.31	32	2.36	31	2.39	31	2.41	30	2.44	29	2.53	28	2.59			
	1183	6968	8046		7915		7783		7650		7513		7371		7223		6902		6529		6088				
			38	2.58	38	2.65	37	2.72	37	2.79	36	2.85	36	2.89	35	2.92	34	2.95	33	3.01	32	3.12			

Performance certified is for Installation Type A: free inlet, free outlet. The sound ratings shown are loudness values in fan sones at 5 ft. (1.5 m.) in a hemispherical free field calculated per AMCA Standard 301. Values shown are for installation Type A free inlet fan sone levels. Power rating (BHP) does not include transmission losses. Performance ratings do not include the effects of appurtenances (accessories). Shaded area indicates reinforced wheel required.

245-300 HLC-B Data

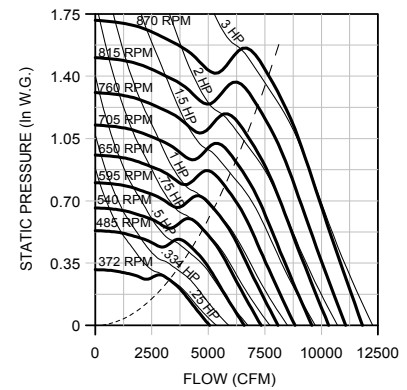
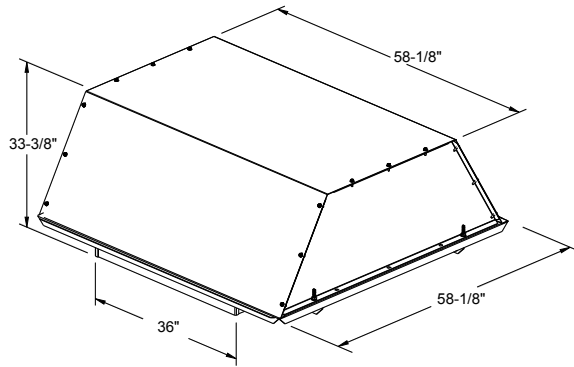
245 HLC-B

- Wheel Diameter = 24.5
- Tip Speed (FPM) = 6.4 x RPM
- Maximum RPM = 1012
- Maximum BHP = 3.0 x (RPM/1000)³
- Maximum Motor Frame = 184T
- Approx. Ship Wt. (Less Motor) = 275 lbs.
- Roof Curb = RCG, RCA 28
- Roof Opening = 25-1/2" sq.



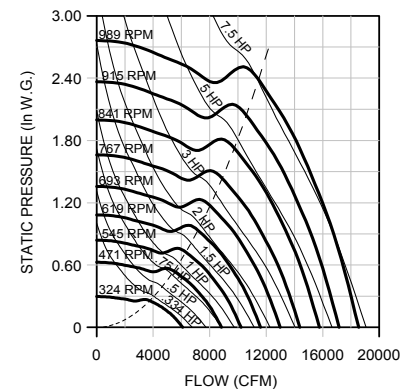
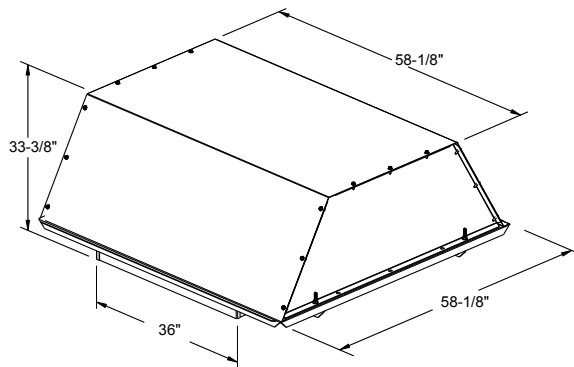
270 HLC-B

- Wheel Diameter = 27
- Tip Speed (FPM) = 7.1 x RPM
- Maximum RPM = 870
- Maximum BHP = 4.8 x (RPM/1000)³
- Maximum Motor Frame = 184T
- Approx. Ship Wt. (Less Motor) = 365 lbs.
- Roof Curb = RCG, RCA 34
- Roof Opening = 31-1/2" sq.



300 HLC-B

- Wheel Diameter = 30
- Tip Speed (FPM) = 7.9 x RPM
- Maximum RPM (Standard Wheel) = 837
- Maximum RPM (Reinforced Wheel) = 989
- Maximum BHP = 8.2 x (RPM/1000)³
- Maximum Motor Frame = 213T
- Approx. Ship Wt. (Less Motor) = 375 lbs.
- Roof Curb = RCG, RCA 34
- Roof Opening = 31-1/2" sq.



Performance certified is for Installation Type A: free inlet, free outlet. The sound ratings shown are loudness values in fan sones at 5 ft. (1.5 m.) in a hemispherical free field calculated per AMCA Standard 301. Values shown are for installation Type A free inlet fan sone levels. Power rating (BHP) does not include transmission losses. Performance ratings do not include the effects of appurtenances (accessories).

245 HLC-B

Catalog Number	Mtr. HP	Fan RPM	Tip Speed	CFM vs. Static Pressure																					
				0 SP		1/8 SP		1/4 SP		3/8 SP		1/2 SP		5/8 SP		3/4 SP		1 SP		1-1/4 SP		1-1/2 SP		2 SP	
				Sone	BHP	Sone	BHP	Sone	BHP	Sone	BHP	Sone	BHP	Sone	BHP	Sone	BHP	Sone	BHP	Sone	BHP	Sone	BHP	Sone	BHP
245HLC-B	1/4	384	2463	3954		3318		1978																	
		432	2770	5.3	.15	4.8	.17	4.2	.15																
	1/3	478	3065	4922		4433		3849		2753															
		549	3521	8.3	.29	7.8	.32	7.1	.33	6.5	.30														
	3/4	631	4047	5653		5234		4766		4189		3073													
		696	4464	10.6	.45	10.1	.48	9.4	.50	8.7	.50	8.2	.45												
	1-1/2	800	5131	6497		6135		5749		5316		4793		3955											
		881	5650	13.3	.68	12.8	.72	12.4	.75	11.7	.76	11.1	.76	10.6	.72										
	2	947	6074	7167		6839		6498		6127		5713		5209		4449									
				15.9	.91	15.5	.96	15.1	1.00	14.4	1.02	13.8	1.03	13.3	1.02	12.8	.97								
	3	1012	6491	8238		7954		7663		7358		7030		6675		6275		5048							
				20	1.38	20	1.44	19.7	1.49	19.4	1.52	18.7	1.55	18.0	1.56	17.5	1.56	16.5	1.47						
	3	1012	6491	9072		8814		8553		8282		7998		7695		7372		6599		5286					
				24	1.84	24	1.90	24	1.96	23	2.01	23	2.05	22	2.07	22	2.08	21	2.07	19.5	1.91				
	3	1012	6491	9751		9512		9270		9022		8764		8493		8207		7574		7636		5165			
				28	2.29	28	2.35	27	2.42	27	2.48	26	2.52	26	2.55	25	2.57	24	2.59	23	2.54	22	2.28		
	3	1012	6491	10421		10197		9971		9740		9504		9257		9000		8444		7794		6895			
				32	2.79	31	2.86	31	2.93	30	3.00	30	3.05	30	3.09	29	3.12	27	3.15	26	3.15	25	3.06		

270 HLC-B

Catalog Number	Mtr. HP	Fan RPM	Tip Speed	CFM vs. Static Pressure																					
				0 SP		1/8 SP		1/4 SP		3/8 SP		1/2 SP		5/8 SP		3/4 SP		1 SP		1-1/4 SP		1-1/2 SP		2 SP	
				Sone	BHP	Sone	BHP	Sone	BHP	Sone	BHP	Sone	BHP	Sone	BHP	Sone	BHP	Sone	BHP	Sone	BHP	Sone	BHP	Sone	BHP
270HLC-B	1/4	372	2629	5054		4258		3347																	
		411	2905	6.7	.21	6.7	.23	6.7	.25																
	1/3	472	3336	5583		4858		4145																	
		508	3590	8.1	.28	8.1	.31	8.1	.32																
	3/4	543	3838	6412		5775		5171		4461															
		599	4234	10.5	.43	10.5	.46	10.5	.48	10.5	.50														
	1-1/2	688	4863	6901		6307		5740		5162															
		758	5357	12.0	.53	12.0	.57	12.0	.59	12.0	.61														
	3	870	6149	7377		6819		6284		5762		5108													
				13.7	.65	13.7	.70	13.7	.72	13.7	.73	13.7	.76												
	3	870	6149	8137		7631		7140		6666		6180		5535											
				16.3	.88	16.3	.93	16.3	.96	16.3	.97	16.3	.99	16.3	1.02										
	3	870	6149	9346		8904		8471		8050		7639		7222		6727									
				20	1.33	20	1.39	20	1.43	20	1.46	20	1.48	20	1.49	20	1.52								
	3	870	6149	10297		9896		9499		9112		8734		8363		7984		7009							
				24	1.78	24	1.84	24	1.90	24	1.94	24	1.96	24	1.98	24	2.00	24	2.07						
	3	870	6149	11058		10684		10313		9950		9594		9245		8900		8143							
				27	2.20	27	2.27	27	2.34	27	2.38	27	2.41	27	2.43	27	2.45	27	2.51						
3	870	6149	11819		11469		11121		10778		10442		10112		9788		9131		8316						
			30	2.69	30	2.76	30	2.84	30	2.89	30	2.93	30	2.95	30	2.97	30	3.02	30	3.10					

300 HLC-B

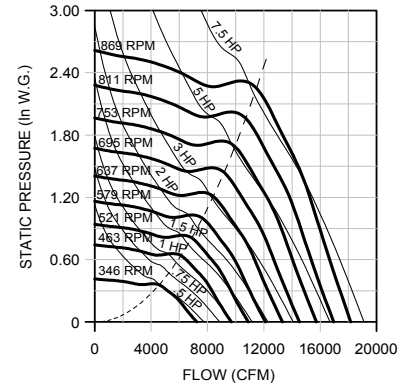
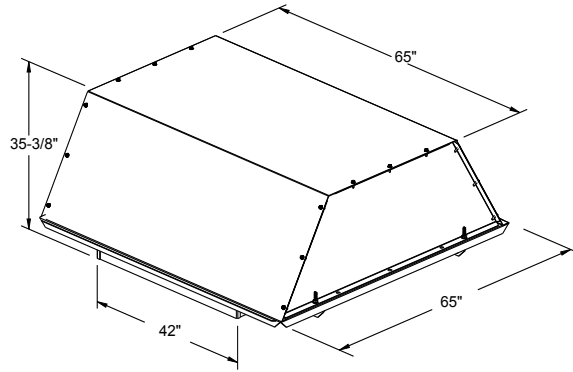
Catalog Number	Mtr. HP	Fan RPM	Tip Speed	CFM vs. Static Pressure																					
				0 SP		1/8 SP		1/4 SP		3/8 SP		1/2 SP		5/8 SP		3/4 SP		1 SP		1-1/4 SP		1-1/2 SP		2 SP	
				Sone	BHP	Sone	BHP	Sone	BHP	Sone	BHP	Sone	BHP	Sone	BHP	Sone	BHP	Sone	BHP	Sone	BHP	Sone	BHP	Sone	BHP
300HLC-B	1/3	324	2544	6076		5271		3848																	
		343	2693	6.8	.24	6.8	.27	6.8	.27																
	1/2	394	3094	6432		5698		4494																	
		453	3557	7.5	.29	7.5	.32	7.5	.33																
	3/4	500	3926	7388		6787		5920																	
		574	4508	9.4	.44	9.4	.47	9.4	.50																
	1-1/2	632	4963	8495		7987		7335		6482															
		726	5702	12.0	.66	12.0	.70	12.0	.74	12.0	.76														
	7-1/2	989	7767	9376		8921		8385		7683		6825													
				14.5	.89	14.5	.94	14.5	.98	14.5	1.01	14.5	1.03												
	7-1/2	989	7767	10764		10372		9944		9421		8789		8068		7108									
				18.5	1.35	18.5	1.40	18.5	1.45	18.5	1.49	18.5	1.53	18.5	1.56	18.5	1.51								
	7-1/2	989	7767	11851		11497		11121		10692		10173		9585		8928									
				21	1.80	21	1.86	21	1.91	21	1.96	21	2.00	21	2.05	21	2.08								
	7-1/2	989	7767	13614		13306		12989		12649		12265		11821		11323		10204		8656					
				26	2.73	26	2.80	26	2.86	26	2.92	26	2.97	26	3.02	26	3.07	26	3.15	26	3.02				
	7-1/2	989	7767	16183		15925		15663		15392		15109		14799		14457		13665		12781		11728			
				35	4.59	35	4.66	35	4.74	35	4.82	35	4.89	35	4.96	35	5.02	35	5.13	35	5.25	35	5.28		
7-1/2	989	7767	18546		18321		18094		17863		17625		17378		17117		16531		15846		15095		13312		
			45	6.90	45	6.99	45	7.08	45	7.17	45	7.25	45	7.34	45	7.42	45	7.56	45	7.69	45	7.82	45	7.93	

Performance certified is for Installation Type A: free inlet, free outlet. The sound ratings shown are loudness values in fan sones at 5 ft. (1.5 m.) in a hemispherical free field calculated per AMCA Standard 301. Values shown are for installation Type A free inlet fan sone levels. Power rating (BHP) does not include transmission losses. Performance ratings do not include the effects of appurtenances (accessories). Shaded area indicates reinforced wheel required.

330-402 HLC-B Data

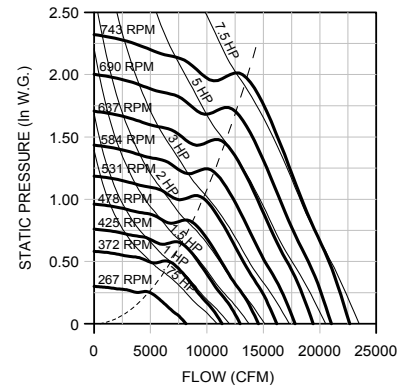
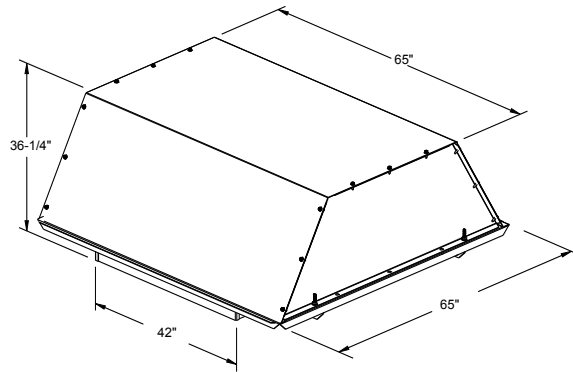
330 HLC-B

Wheel Diameter = 33
Tip Speed (FPM) = 8.6 x RPM
Maximum RPM (Standard Wheel) = 716
Maximum RPM (Reinforced Wheel) = 869
Maximum BHP = 12.1 x (RPM/1000)³
Maximum Motor Frame = 213T
Approx. Ship Wt. (Less Motor) = 435 lbs.
Roof Curb = RCG, RCA 40
Roof Opening = 37-1/2" sq.



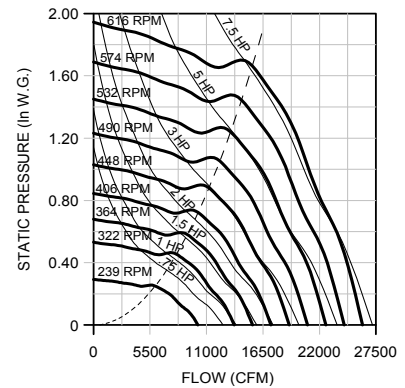
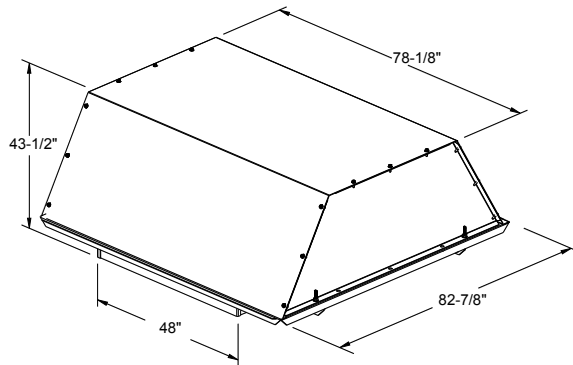
365 HLC-B

Wheel Diameter = 36.5
Tip Speed (FPM) = 9.6 x RPM
Maximum RPM (Standard Wheel) = 624
Maximum RPM (Reinforced Wheel) = 743
Maximum BHP = 19.3 x (RPM/1000)³
Maximum Motor Frame = 213T
Approx. Ship Wt. (Less Motor) = 450 lbs.
Roof Curb = RCG, RCA 40
Roof Opening = 37-1/2" sq.



402 HLC-B

Wheel Diameter = 40.25
Tip Speed (FPM) = 10.5 x RPM
Maximum RPM (Standard Wheel) = 539
Maximum RPM (Reinforced Wheel) = 616
Maximum BHP = 33.9 x (RPM/1000)³
Maximum Motor Frame = 213T
Approx. Ship Wt. (Less Motor) = 540 lbs.
Roof Curb = RCG, RCA 46
Roof Opening = 43-1/2" sq.



Performance certified is for Installation Type A: free inlet, free outlet. The sound ratings shown are loudness values in fan sones at 5 ft. (1.5 m.) in a hemispherical free field calculated per AMCA Standard 301. Values shown are for installation Type A free inlet fan sone levels. Power rating (BHP) does not include transmission losses. Performance ratings do not include the effects of appurtenances (accessories).

330 HLC-B

Catalog Number	Mtr. HP	Fan RPM	Tip Speed	CFM vs. Static Pressure																					
				0 SP		1/8 SP		1/4 SP		3/8 SP		1/2 SP		5/8 SP		3/4 SP		1 SP		1-1/4 SP		1-1/2 SP		2 SP	
				Sone	BHP	Sone	BHP	Sone	BHP	Sone	BHP	Sone	BHP	Sone	BHP	Sone	BHP	Sone	BHP	Sone	BHP	Sone	BHP	Sone	BHP
330HLC-B	1/2	346	2989	7233		6460		5645																	
				8.9	.41	8.9	.44	8.9	.48																
	3/4	398	3438	8321		7638		7006		6129															
				11.6	.62	11.6	.65	11.6	.70	11.6	.75														
	1	439	3792	9178		8555		7977		7347		6446													
				14.0	.83	14.0	.86	14.0	.92	14.0	.98	14.0	1.02												
	1-1/2	471	4069	9847		9264		8716		8176		7430		6566											
				16.0	1.03	16.0	1.06	16.0	1.11	16.0	1.18	16.0	1.23	16.0	1.27										
				18.0	1.26	18.0	1.29	18.0	1.34	18.0	1.41	18.0	1.48	18.0	1.53	18.0	1.53								
	2	555	4794	11603		11106		10625		10172		9716		9155		8428									
				21	1.68	21	1.71	21	1.76	21	1.83	21	1.92	21	1.99	21	2.04								
	3	638	5511	13338		12904		12480		12071		11679		11286		10850		9644							
				26	2.55	26	2.59	26	2.64	26	2.70	26	2.79	26	2.88	26	2.98	26	3.10						
	5	698	6030	14592		14196		13804		13424		13057		12703		12342		11466		10312					
31				3.34	31	3.38	31	3.43	31	3.49	31	3.57	31	3.67	31	3.78	31	3.97	31	4.09					
35				4.28	35	4.32	35	4.38	35	4.44	35	4.51	35	4.61	35	4.71	35	4.95	35	5.12	35	5.25			
7-1/2	869	7507	18167		17848		17531		17217		16909		16608		16314		15744		15152		14443		12610		
			45	6.45	45	6.50	45	6.55	45	6.62	45	6.69	45	6.77	45	6.88	45	7.12	45	7.39	45	7.62	45	7.93	

365 HLC-B

Catalog Number	Mtr. HP	Fan RPM	Tip Speed	CFM vs. Static Pressure																																						
				0 SP		1/8 SP		1/4 SP		3/8 SP		1/2 SP		5/8 SP		3/4 SP		1 SP		1-1/4 SP		1-1/2 SP		2 SP																		
				Sone	BHP	Sone	BHP	Sone	BHP	Sone	BHP	Sone	BHP	Sone	BHP	Sone	BHP	Sone	BHP	Sone	BHP	Sone	BHP	Sone	BHP																	
365HLC-B	3/4	267	2551	8138		6661		4988																																		
				7.10	.31	5.7	.35	4.8	.37																																	
	3/4	340	3248	10363		9316		8044		6786																																
				10.8	.64	9.4	.71	8.4	.73	7.6	.76																															
	1	376	3592	11460		10563		9362		8312																																
				12.8	.87	11.3	.95	10.3	.99	9.7	1.01																															
	1-1/2	404	3860	12314		11501		10383		9388		8351																														
				14.7	1.08	13.2	1.17	12.2	1.22	11.4	1.24	10.8	1.27																													
				13136	12388	11373	10389	9471	8372																																	
	2	475	4538	14478		13810		12968		11994		11159		10314		9318																										
				19.5	1.76	18.2	1.86	17.0	1.95	16.4	1.98	15.8	2.01	15.2	2.04	14.7	2.07																									
	3	546	5217	16642		16069		15420		14593		13759		13029		12311		10633																								
				25	2.67	23	2.79	22	2.90	21	2.98	21	3.01	20	3.04	19.9	3.07	19.0	3.15																							
	5	649	6201	19781		19303		18798		18219		17523		16790		16134		14925		13645																						
33				4.48	31	4.63	30	4.77	29	4.9	28	4.99	28	5.04	27	5.07	26	5.14	26	5.24																						
7-1/2	696	6650	21213		20769		20305		19797		19197		18515		17847		16678		15548		14301																					
			36	5.53	35	5.69	34	5.84	33	5.98	32	6.10	31	6.18	31	6.23	30	6.29	29	6.38	28	6.48																				
			22646	22230	21801	21343	20821	20217	19570	18397	17343	16264																														
7-1/2	743	7099	40		6.73		39		6.89		38		7.06		37		7.22		36		7.35		35		7.46		34		7.54		33		7.62		32		7.69		31		7.79	

402 HLC-B

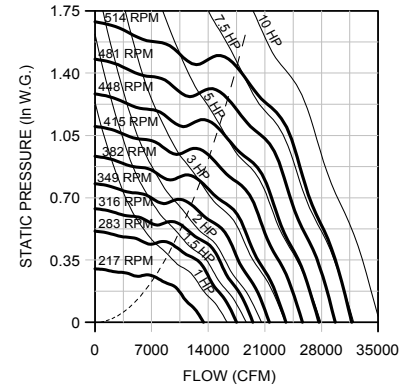
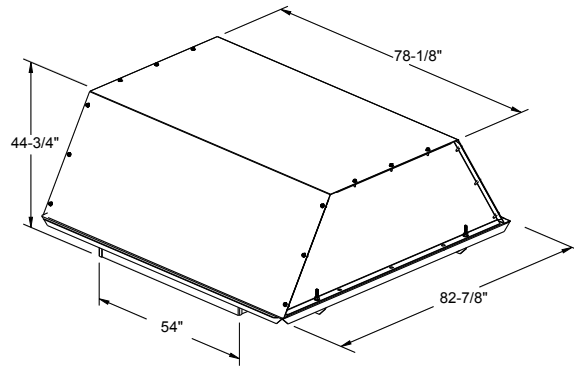
Catalog Number	Mtr. HP	Fan RPM	Tip Speed	CFM vs. Static Pressure																																						
				0 SP		1/8 SP		1/4 SP		3/8 SP		1/2 SP		5/8 SP		3/4 SP		1 SP		1-1/4 SP		1-1/2 SP		2 SP																		
				Sone	BHP	Sone	BHP	Sone	BHP	Sone	BHP	Sone	BHP	Sone	BHP	Sone	BHP	Sone	BHP	Sone	BHP	Sone	BHP	Sone	BHP																	
402HLC-B	3/4	239	2518	10167		8519		6011																																		
				8.7	.39	5.9	.45	5.5	.45																																	
	3/4	282	2971	11997		10840		9121																																		
				11.6	.65	8.2	.72	7.3	.76																																	
	1	311	3277	13230		12254		10641		8895																																
				13.9	.87	9.9	.94	8.9	1.01	8.4	1.01																															
	1-1/2	334	3519	14209		13327		11834		10514																																
				15.6	1.07	11.7	1.16	10.3	1.23	9.4	1.26																															
				15187	14379	13088	11796	10099																																		
	2	394	4151	17513		16411		15081		13707		12632		10872																												
				21	1.76	16.8	1.86	14.6	1.96	13.7	2.04	12.7	2.08	11.8	2.03																											
	3	452	4762	19229		18609		17905		16847		15676		14756		13521																										
				25	2.66	22	2.77	19.5	2.88	18.4	2.99	17.6	3.08	16.7	3.13	15.8	3.11																									
	5	494	5205	21015		20453		19840		19056		17909		16940		16103		13397																								
29				3.48	26	3.60	24	3.72	22	3.84	21	3.95	20	4.03	19.4	4.08	17.8	4.00																								
22845				22328	21780	21146	20269	19190	18345	16646	13689																															
7-1/2	616	6491	34		4.46		31		4.59		28		4.73		26		4.86		25		4.99		24		5.11		23		5.19		22		5.25		20		5.10					
			26205	25757	25293	24799	24224	23484	22541	20974	19567	17301																														
7-1/2	616	6491	43		6.74		40		6.89		38		7.04		35		7.19		33		7.34		32		7.49		31		7.64		30		7.84		28		7.93		27		7.79	

Performance certified is for Installation Type A: free inlet, free outlet. The sound ratings shown are loudness values in fan sones at 5 ft. (1.5 m.) in a hemispherical free field calculated per AMCA Standard 301. Values shown are for installation Type A free inlet fan sone levels. Power rating (BHP) does not include transmission losses. Performance ratings do not include the effects of appurtenances (accessories). Shaded area indicates reinforced wheel required.

445-540 HLC-B Data

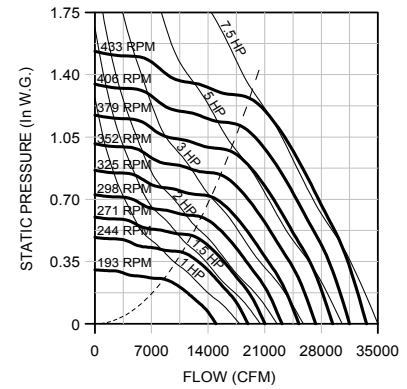
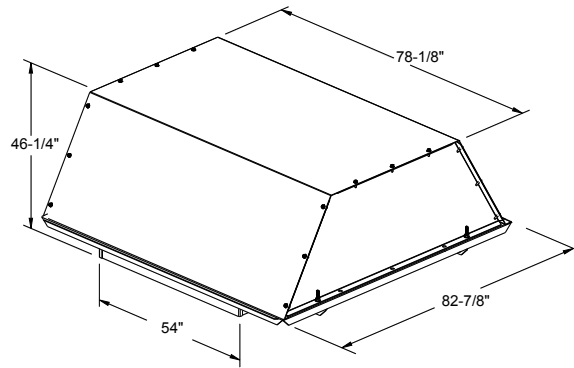
445 HLC-B

Wheel Diameter = 44.5
Tip Speed (FPM) = 11.7 x RPM
Maximum RPM (Standard Wheel) = 463
Maximum RPM (Reinforced Wheel) = 514
Maximum BHP = 58.5 x (RPM/1000)³
Maximum Motor Frame = 213T
Approx. Ship Wt. (Less Motor) = 600 lbs.
Roof Curb = RCG, RCA 52
Roof Opening = 49-1/2" sq.



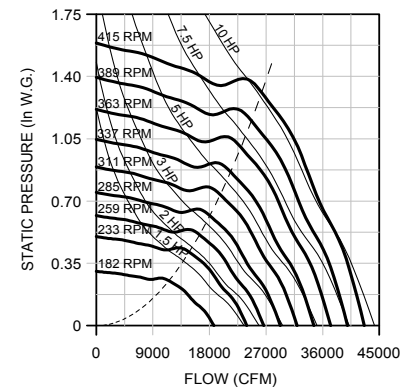
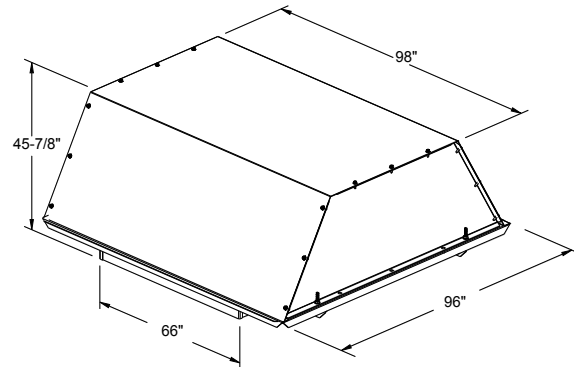
490 HLC-B

Wheel Diameter = 49
Tip Speed (FPM) = 12.8 x RPM
Maximum RPM (Standard Wheel) = 360
Maximum RPM (Reinforced Wheel) = 433
Maximum BHP = 97.1 x (RPM/1000)³
Maximum Motor Frame = 213T
Approx. Ship Wt. (Less Motor) = 625 lbs.
Roof Curb = RCG, RCA 52
Roof Opening = 49-1/2" sq.



540 HLC-B

Wheel Diameter = 54
Tip Speed (FPM) = 14.1 x RPM
Maximum RPM (Standard Wheel) = 347
Maximum RPM (Reinforced Wheel) = 415
Maximum BHP = 147.4 x (RPM/1000)³
Maximum Motor Frame = 215T
Approx. Ship Wt. (Less Motor) = 750 lbs.
Roof Curb = RCG, RCA 64
Roof Opening = 61-1/2" sq.



Performance certified is for Installation Type A: free inlet, free outlet. The sound ratings shown are loudness values in fan zones at 5 ft. (1.5 m.) in a hemispherical free field calculated per AMCA Standard 301. Values shown are for installation Type A free inlet fan zone levels. Power rating (BHP) does not include transmission losses. Performance ratings do not include the effects of appurtenances (accessories).

445 HLC-B

Catalog Number	Mtr. HP	Fan RPM	Tip Speed	CFM vs. Static Pressure																					
				0 SP		1/8 SP		1/4 SP		3/8 SP		1/2 SP		5/8 SP		3/4 SP		1 SP		1-1/4 SP		1-1/2 SP		2 SP	
				Sone	BHP	Sone	BHP	Sone	BHP	Sone	BHP	Sone	BHP	Sone	BHP	Sone	BHP	Sone	BHP	Sone	BHP	Sone	BHP	Sone	BHP
445HLC-B	1	217	2528	13410		11190		7642																	
		259	3017	9.0	.55	6.1	.59	5.8	.56																
	1-1/2	298	3471	16005		14386		12411																	
				12.2	.94	8.7	.98	7.8	1.01																
	2	328	3821	18415		17146		15184		13584															
				15.6	1.43	11.7	1.48	10.3	1.52	9.6	1.55														
	3	352	4100	20269		19153		17408		15986		13556													
				18.4	1.91	14.5	1.97	12.7	2.01	11.6	2.05	11.0	2.04												
	5	448	5219	21752		20727		19265		17679		16408		13163											
				21	2.36	16.9	2.42	14.8	2.48	13.7	2.52	12.8	2.55	12.0	2.45										
	7-1/2	514	5988	23297		22351		21139		19466		18335		16687		13380									
				23	2.9	19.4	2.97	16.9	3.03	15.9	3.07	15.0	3.11	14.0	3.13	13.2	2.95								
	5	413	4811	25522		24665		23672		22195		20874		19880		18282									
				27	3.81	23	3.89	20	3.96	19.2	4.01	18.3	4.06	17.4	4.10	16.6	4.11								
	7-1/2	481	5603	27685		26900		26033		24873		23409		22371		21450		16982							
				30	4.87	27	4.95	24	5.02	23	5.09	22	5.15	21	5.19	19.9	5.24	18.3	5.07						
	7-1/2	514	5988	29724		28996		28216		27267		25947		24709		23822		21610							
				34	6.02	31	6.11	28	6.19	26	6.27	25	6.34	24	6.39	23	6.44	22	6.50						
7-1/2	514	5988	31763		31083		30366		29551		28474		27174		26145		24517		20713						
			38	7.35	35	7.44	32	7.53	30	7.62	29	7.70	28	7.76	27	7.81	25	7.92	24	7.79					

490 HLC-B

Catalog Number	Mtr. HP	Fan RPM	Tip Speed	CFM vs. Static Pressure																					
				0 SP		1/8 SP		1/4 SP		3/8 SP		1/2 SP		5/8 SP		3/4 SP		1 SP		1-1/4 SP		1-1/2 SP		2 SP	
				Sone	BHP	Sone	BHP	Sone	BHP	Sone	BHP	Sone	BHP	Sone	BHP	Sone	BHP	Sone	BHP	Sone	BHP	Sone	BHP	Sone	BHP
490HLC-B	1	193	2475	14979		12684		8695																	
		219	2809	8.9	.59	6.0	.69	5.9	.64																
	1-1/2	251	3219	16997		15192		12363																	
				11.0	.86	7.8	.98	7.2	1.00																
	2	277	3553	19480		18029		15752		13025															
				13.9	1.29	10.1	1.43	9.0	1.53	8.8	1.47														
	3	297	3809	21498		20221		18340		16127		13128													
				16.6	1.74	12.5	1.89	11.0	2.04	10.3	2.05	10.1	1.93												
	5	378	4849	23050		21877		20288		18235		15967													
				18.7	2.14	14.8	2.30	12.9	2.47	11.8	2.54	11.4	2.47												
	7-1/2	433	5554	24680		23593		22244		20353		18416		15981											
				21	2.63	17.2	2.80	15.0	2.98	13.9	3.11	13.0	3.10	12.5	2.97										
	7-1/2	406	5208	27009		26024		24900		23323		21572		19747		17457									
				24	3.45	21	3.64	17.9	3.83	17.0	4.02	16.0	4.09	15.1	4.04	14.3	3.89								
	7-1/2	433	5554	29337		28435		27451		26190		24576		22984		21260									
				28	4.42	24	4.62	21	4.83	19.9	5.05	19.0	5.21	18.1	5.24	17.3	5.16								
	7-1/2	406	5208	31510		30675		29782		28726		27338		25822		24335		20747							
				31	5.47	28	5.69	25	5.92	23	6.15	22	6.36	21	6.48	20	6.48	18.6	6.21						
7-1/2	433	5554	33606		32823		32001		31077		29917		28505		27107		24145		19779						
			35	6.64	31	6.87	28	7.11	26	7.35	25	7.60	24	7.80	23	7.88	22	7.73	20	7.26					

540 HLC-B

Catalog Number	Mtr. HP	Fan RPM	Tip Speed	CFM vs. Static Pressure																					
				0 SP		1/8 SP		1/4 SP		3/8 SP		1/2 SP		5/8 SP		3/4 SP		1 SP		1-1/4 SP		1-1/2 SP		2 SP	
				Sone	BHP	Sone	BHP	Sone	BHP	Sone	BHP	Sone	BHP	Sone	BHP	Sone	BHP	Sone	BHP	Sone	BHP	Sone	BHP	Sone	BHP
540HLC-B	1-1/2	182	2572	18697		15834		11633																	
		219	3096	9.8	.75	6.7	.86	6.6	.87																
	2	241	3407	22498		20566		17551																	
				13.4	1.31	9.6	1.44	8.7	1.54																
	3	277	3916	24758		23100		20290		17678															
				15.7	1.75	11.7	1.89	10.4	2.02	10.0	2.06														
	5	329	4651	28456		27066		25005		22595		20191													
				19.9	2.66	16.0	2.82	14.0	2.99	12.9	3.10	12.4	3.12												
	7-1/2	377	5329	31127		29876		28284		25841		23963		21368											
				23	3.48	19.5	3.66	17.0	3.84	15.9	4.00	15.0	4.09	14.3	4.05										
	10	415	5866	33798		32653		31324		29261		27224		25500		22851									
				27	4.46	23	4.65	19.9	4.85	18.9	5.04	17.9	5.18	17.1	5.25	16.2	5.18								
	10	396	5598	36263		35202		34023		32403		30233		28595		26886									
				30	5.51	26	5.71	23	5.92	22	6.13	21	6.32	19.8	6.43	18.9	6.48								
	10	415	5866	38729		37740		36673		35346		33399		31579		30105		25819							
				33	6.71	29	6.93	26	7.15	24	7.38	23	7.60	23	7.75	22	7.86	20	7.77						
	10	415	5866	40681		39740		38739		37570		35920		33974		32484		29268							
				36	7.77	32	8.01	29	8.24	27	8.47	26	8.71	25	8.91	24	9.05	22	9.13						
10	415	5866	42633		41736		40795		39738		38343		36476		34843		32100		27585						
			39	8.95	35	9.19	32	9.43	29	9.68	28	9.93	27	10.16	27	10.34	25	10.53	23	10.31					

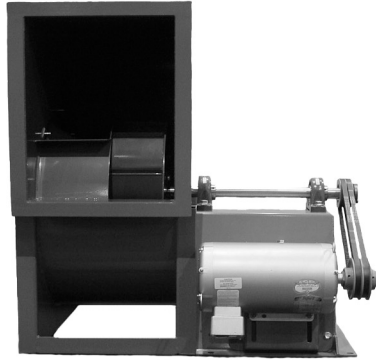
Performance certified is for Installation Type A: free inlet, free outlet. The sound ratings shown are loudness values in fan sones at 5 ft. (1.5 m.) in a hemispherical free field calculated per AMCA Standard 301. Values shown are for installation Type A free inlet fan sone levels. Power rating (BHP) does not include transmission losses. Performance ratings do not include the effects of appurtenances (accessories). Shaded area indicates reinforced wheel required.

OTHER AVAILABLE PRODUCTS

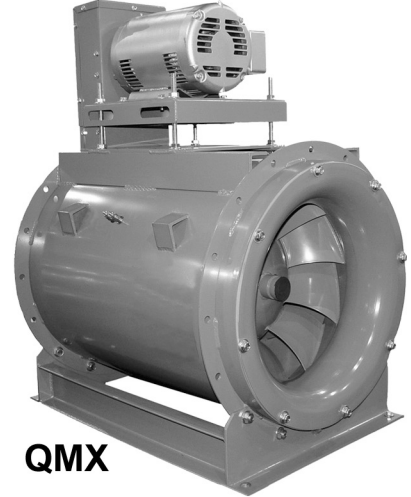
Visit lorencook.com to view our complete line of products!



ACE



CA-SWSI



QMX



CA-DWDI



CVB



SQN



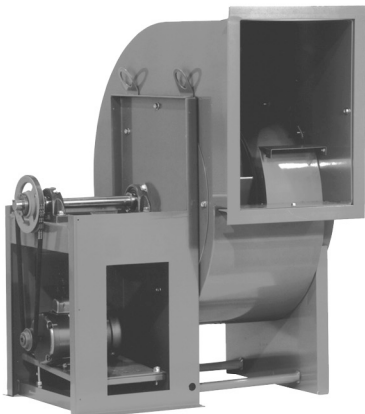
APB



IMH



KSP



CPS



XLWH



VCR



LOREN COOK COMPANY

2015 E. DALE STREET
SPRINGFIELD, MO 65803-4637

417.869.6474

FAX 417.862.3820

lorencook.com