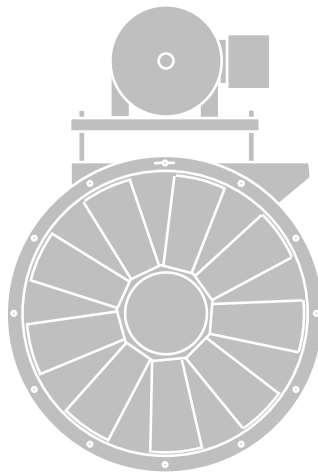
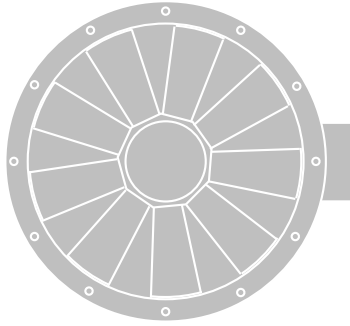


AVA

Adjustable Pitch Vane Axial Fan



	Page
Introduction	2
Mounting Options	3
Product Nomenclature	3
Duty Levels	3
Discharge Cones	4
Lorenized Fan Finish Specification	4
AVAD Specification and Dimension Data	5
AVAB Specification and Dimension Data	6
Accessories	7 - 8
Performance Data	
35 AVAD Performance Data	9
39 AVAD Performance Data	10
44 AVAD Performance Data	11
49 AVAD Performance Data	12
57 AVAD Performance Data	13
63 AVAD Performance Data	14
71 AVAD Performance Data	15
79 AVAD Performance Data	16
35 AVAB Performance Data	17
39 AVAB Performance Data	18
44 AVAB Performance Data	19
49 AVAB Performance Data	20
57 AVAB Performance Data	21
63 AVAB Performance Data	22
71 AVAB Performance Data	23
79 AVAB Performance Data	24
Sound Data	
35 AVAD - 49 AVAD Sound Data	25
57 AVAD - 79 AVAD Sound Data	26
35 AVAB - 49 AVAB Sound Data	27
57 AVAB - 79 AVAB Sound Data	28

AVAD/AVAB Adjustable Pitch Vane Axial Fan

Cook adjustable pitch vane axial fans are available in direct and belt drive models offering high efficiencies and high static pressures in a space-efficient inline package. The AVA is available in sizes 35 inch through 79 inch with flow rates of 400 CFM to 213,403 CFM and static pressures up to 13 inches. The AVA features cast aluminum airfoil blades that can be pitch adjusted to achieve a broad range of performance. The AVA adjustable pitch vane axial fan is available with a full range of accessories allowing it to be adapted to many different applications.



AVAD



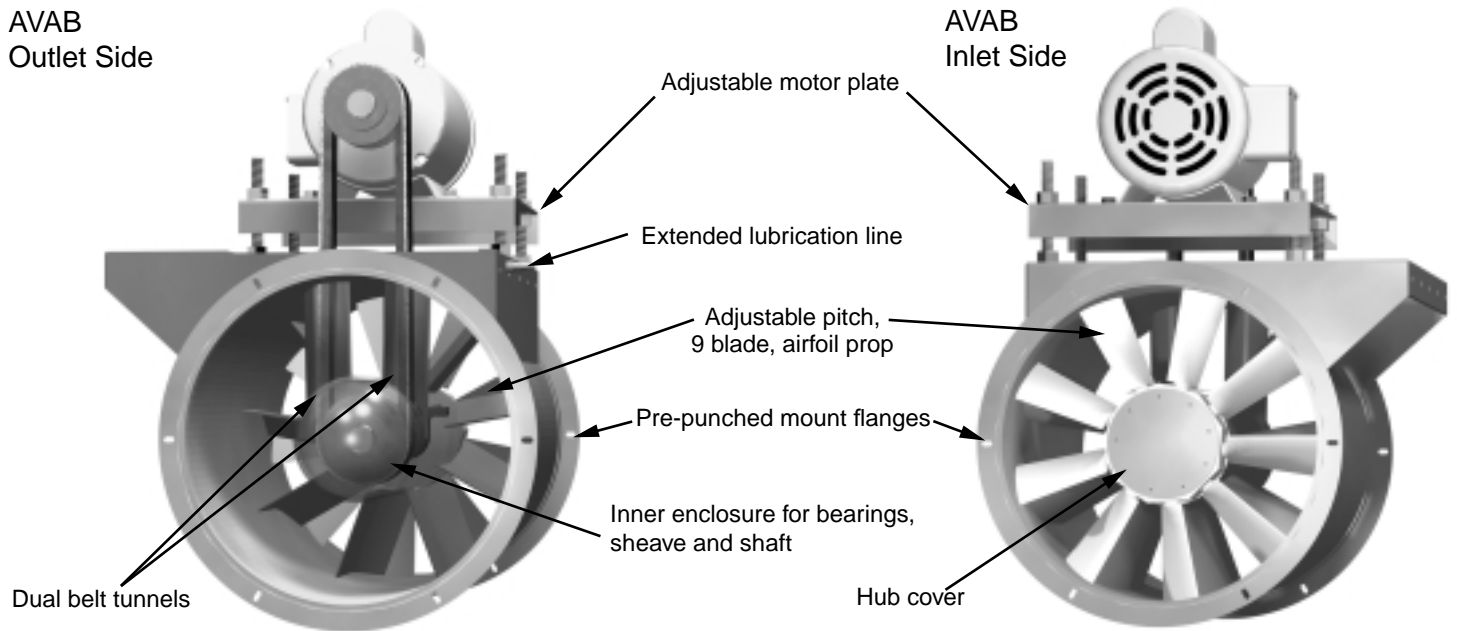
AVAB

- High efficiency nine blade cast aluminum propeller assembly with airfoil blade design.
- Minimum 3/16" steel housing with continuously welded seams, and integral inlet and outlet flanges pre-punched for mounting.
- Copper lubrication lines are standard on belt drive units and also standard on direct drive units when applicable.
- The motor plate is attached to a heavy welded sub-base and features threaded studs for positive belt tensioning.
- Direct drive units feature a totally enclosed motor installed in a motor tunnel surrounded by welded straightening vanes.
- Belt drive units feature an inner drum that encloses the driven sheave, shaft and bearings. The low-drag dual tunnels, separating belts from the airstream, also protect the extended lubrication lines. Removable covers provide access to the shaft, bearings and belts.
- All steel fan components feature a Lorenized™ powder coat finish.
- Bearings are designed and tested specifically for use in air handling applications. Bearings are heavy duty regreasable ball or roller type in a cast iron pillow block housing selected for a minimum L50 life in excess of 500,000 hours for horizontal units and L50 life in excess of 250,000 hours for vertical units at maximum cataloged operating speed, horsepower and static pressure.
- Drives utilize oil and heat resistant, non-static belts and precision machined cast iron sheaves which are keyed and securely attached to the wheel and motor shafts. Drives are sized for 150 percent of motor horsepower.
- Power (BHP) ratings for all belt drive fans includes drive loss to ensure accurate selection of the motor.
- Accurate performance is assured through compliance with the AMCA Certified Ratings Program. The AVAD and AVAB are licensed to bear the AMCA Seal for Air and Sound Performance.

Construction Features

AVAB
Outlet Side

AVAB
Inlet Side



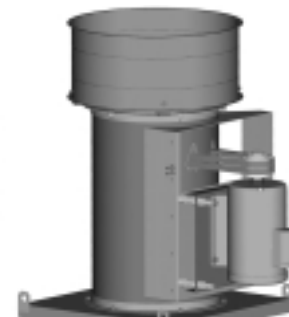
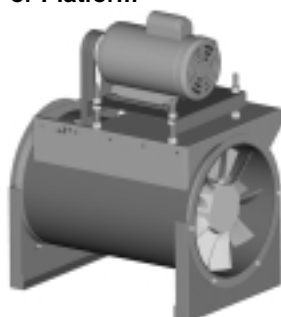
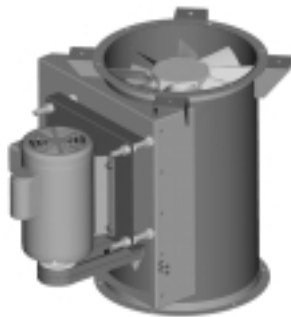
Mounting Options

Vertical

Floor, Ceiling, Wall
or Platform

Ceiling Horizontal

Roof Exhauster



CFM Limitation for Damper Operation

Fan Size	CFM	
	Min.	Max.
35	8800	21700
39	10900	26700
44	13600	33600
49	17000	41900
57	22800	56200
63	27800	68400
71	35200	86700
79	43600	107200

Vertical mounting brackets provide for vertical installation, floor or ceiling mount, with upblast or downblast configuration. Vibration isolators can be used with the mounting configurations. Ceiling brackets with downblast configuration shown.

Mounting feet, bolted to the inlet and outlet flanges, can be field rotated for different motor positions. The mounting feet provide a solid base for mounting to the floor, ceiling or wall. They can be used with vibration isolators.

Side-angle supports provide for suspension of the unit. The supports can be used with vibration isolators.

AVAD and AVAB, when used with butterfly damper, panel and curb, can be mounted as a roof exhauster. Allow 1/8" static pressure resistance for damper. (See table, **CFM Limitation for Damper Operation**, for additional information.)

Lorenized™ Fan Finish Specification

All steel fan components shall be finished with an electrostatically applied, baked polyester powder coating. Each component shall be subject to a five stage environmentally friendly wash system, followed by a minimum 2 mil thick baked powder finish. Paint must exceed 1,000 hour salt spray under ASTM B117 test method.

Standard Color - Gray

Final Coat Thickness - Minimum 2 mils

Polyester Powder Testing Information

Property	Test Method	Value
Impact Resistance	ASTM D2794	100 inch-pounds
Pencil Hardness	ASTM D3363	2H (Mar or Gouge)
Crosshatch Adhesion	ASTM D3359 Method B	100 percent
Humidity Resistance	ASTM D2247	1000+ Hours
Salt Spray	ASTM B117	1000+ Hours
Continuous Service Temperature	N/A	230°F (110°C)

Product Nomenclature

Sample - 57AVAB-19

57 - Prop Diameter in inches.
Sizes range from 35 to 79.

AVA - Adjustable Pitch Vane Axial

B - Drive Type

D - Direct Drive

B - Belt Drive

19 - Prop angle in degrees

AVAD/AVAB Information

Duty Levels

Fan Size	Duty	Bore Size	Bearing Type	HP Ranges Per Blade Angle											
				10°	13°	16°	19°	22°	25°	28°	31°	34°	37°	40°	
35	1	1-3/16	1	1-2	1-2	1-3	1-3	1-3	1-3	1-3	1-3	1-3	1-5	1-5	1-5
35	2	1-11/16	1	3	3-5	5	5	5-7.5	5-10	5-10	5-10	5-10	7.5-10	7.5-10	7.5-10
35	3	2-7/16	1	5-10	7.5-10	7.5-10	7.5-10	10	15	15-20	15-20	15-20	15-20	15-20	15-25
35	4	1-15/16	2	15-30	15-40	15-50	15-50	15-60	20-60	25-60	25-75	25-75	25-75	25-75	30-75
39	1	1-3/16	1	1-2	1-2	1-2	1-3	1-3	1-3	1-3	1-3	1-3	1-5	1-5	1-5
39	2	1-11/16	1	3	3-5	3-5	5	5	5-7.5	5-10	5-10	5-10	7.5-10	7.5-10	7.5-10
39	3	2-7/16	1	5-7.5	7.5-10	7.5-10	7.5-10	7.5-10	10	15-20	15-20	15-20	15-20	15-20	15-20
39	4	1-15/16	2	10-25	15-40	15-50	15-60	15-60	15-60	25-60	25-75	25-75	25-75	25-75	25-75
44	1	1-11/16	1	2-3	2-3	2-5	2-5	2-5	2-7.5	2-7.5	2-7.5	2-7.5	2-10	2-10	2-10
44	2	2-7/16	1	5-7.5	5-7.5	7.5-10	7.5-10	7.5-10	10-15	10-15	10-15	10-15	10-20	15-20	15-20
44	3	2-3/16	2	10-50	10-50	15-60	15-60	15-60	20-75	20-75	20-75	25-75	25-75	25-75	25-75
44	4	2-11/16	2	-	60-75	75-100	75-100	75-100	100	100	100	100	100	100	100
49	1	1-11/16	1	3	3	3	3-5	3-5	3-5	3-7.5	3-7.5	3-7.5	3-7.5	3-7.5	3-7.5
49	2	2-7/16	1	5-7.5	5-7.5	5-7.5	7.5-10	7.5-10	7.5-10	10-15	10-15	10-15	10-15	10-20	10-20
49	3	2-3/16	2	10-40	10-60	10-60	15-60	15-60	15-60	20-60	20-60	20-60	25-60	25-60	25-60
49	4	2-15/16	2	-	-	75	75-100	75-100	75-100	75-100	75-100	75-100	75-100	75-100	75-100
57	1	1-11/16	1	-	-	3	3	3	3	3-5	3-5	3-5	3-5	3-5	3-5
57	2	2-7/16	1	3-5	3-5	5-7.5	5-7.5	5-10	5-10	7.5-10	7.5-10	7.5-10	7.5-10	7.5-15	7.5-15
57	3	2-3/16	2	7.5-40	7.5-40	10-50	10-50	15-50	15-50	15-50	15-50	15-50	20-50	20-50	20-50
57	4	2-11/16	2	50-75	50-75	60-75	60-100	60-100	60-125	60-125	60-125	60-125	60-125	60-125	60-125
57	5	2-15/16	2	-	-	-	-	-	150	150	150-200	150-200	150-200	150-200	150-200
63	1	2-7/16	1	3-5	3-5	3-7.5	3-7.5	3-10	3-10	3-10	3-15	3-15	3-15	3-15	3-15
63	2	2-3/16	2	7.5-30	7.5-40	10-40	10-50	15-50	15-50	15-50	20-50	20-50	20-50	20-50	20-50
63	3	2-11/16	2	40-60	50-75	50-75	60-100	60-100	60-125	60-125	60-125	60-125	60-125	60-125	60-125
63	4	3-3/16	2	-	100	100-125	125	125-150	-	-	-	-	-	-	-
63	5	2-15/16	2	-	-	-	-	-	150	150	150-200	150-200	150-200	150-200	150-200
71	1	2-7/16	2	7.5-40	7.5-40	7.5-50	7.5-60	7.5-60	7.5-75	7.5-75	7.5-75	7.5-75	7.5-75	7.5-75	7.5-75
71	2	2-15/16	2	50-60	50-75	60-75	75	75-100	100-200	100-200	100-200	100-200	100-200	100-200	100-200
71	3	3-3/16	2	75	100	100	100-125	125	-	-	-	-	-	-	-
71	4	3-11/16	2	100-150	125-150	125-200	150-200	150-200	-	-	-	-	-	-	-
79	1	2-7/16	2	10-30	10-40	10-40	10-50	10-60	10-60	10-100	10-100	10-100	10-100	10-100	10-100
79	2	2-15/16	2	40-60	50-60	50-75	60-75	75-100	75-100	125-150	125-200	125-200	125-200	125-200	125-200
79	3	3-3/16	2	75	75	100	100-125	125	125-150	200	-	-	-	-	-
79	4	3-11/16	2	100	100-150	125-200	150-200	150-200	200	-	-	-	-	-	-

Bearing Type 1 - Heavy duty pillow block ball bearing. Bearing Type 2 - Heavy duty pillow block spherical roller bearing.

Inlet/Outlet Cones

Cones are used on the fixed pitch vane axial fan to adapt it to larger or smaller size ducts on both the inlet and outlet sides. For example, a Diverging Outlet Cone, as illustrated in Figure A, connects the fan to a larger duct resulting in static regain. The **Static Regain** table provides examples of the regain for a cone with an angle of 25 degrees to 30 degrees and varying fan outlet velocities.

For other diverging outlet cones, an approximate determination of static regain can be obtained if the following formula is used.

$$SP_2 = SP_1 + .45(VP_1 - VP_2)$$

A Converging Inlet Cone, as illustrated in Figure B, is used to connect a large duct to the fan inlet. Due to the tapered shape of the cone, friction loss is negligible. To determine this slight difference in static pressure, the following formula can be used.

$$SP_2 = SP_1 - .08(VP_1 - VP_2)$$

A Converging Outlet Cone, as illustrated in Figure C, is used to connect a small duct to the outlet flange of the fan. The across-the-cone change in velocity pressure is added to the fan's static pressure. To determine the change in static pressure, the following formula can be used.

$$SP_2 = SP_1 - (VP_1 - VP_2)$$

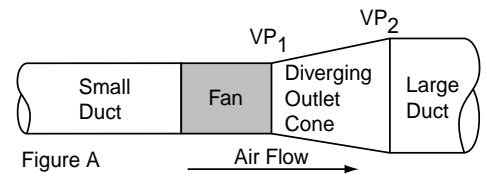


Figure A

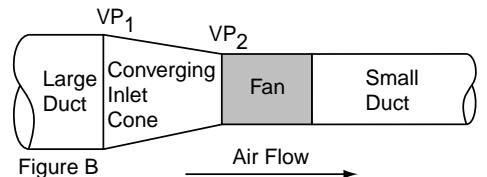


Figure B

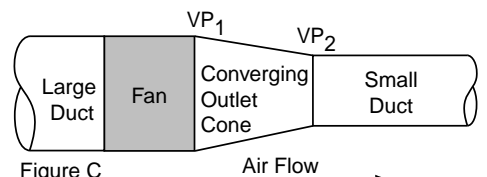


Figure C

Static Regain

Velocity (FPM)	SP (in inches)
1000	.012
1250	.020
1500	.029
1750	.040
2000	.052
2250	.065
2500	.081

Velocity (FPM)	SP (in inches)
2750	.099
3000	.117
3250	.138
3500	.160
3750	.183
4000	.207
4250	.233

Velocity (FPM)	SP (in inches)
4500	.261
4750	.290
5000	.323
5250	.356
5500	.392
5750	.428
6000	.467

Velocity Pressure - $VP = (\text{velocity}/4005)^2$

Velocity (FPM)	VP (in inches)
500	.0156
600	.0225
700	.0305
800	.0400
900	.0504
1000	.0625
1100	.0758
1200	.0900
1300	.106
1400	.122
1500	.141

Velocity (FPM)	VP (in inches)
1600	.160
1700	.181
1800	.203
1900	.226
2000	.250
2250	.316
2500	.391
2750	.473
3000	.562
3250	.661
3500	.768

Velocity (FPM)	VP (in inches)
3750	.880
4000	1.000
4250	1.130
4500	1.265
4750	1.410
5000	1.560
5250	1.720
5500	1.890
5750	2.060
6000	2.250

Adjustable Pitch Vane Axial Fan Direct Drive



Loren Cook Company certifies that the AVAD shown herein is licensed to bear the AMCA Seal. The ratings shown are based on tests and procedures performed in accordance with AMCA Publication 211 and comply with the requirements of the AMCA Certified Ratings Program.

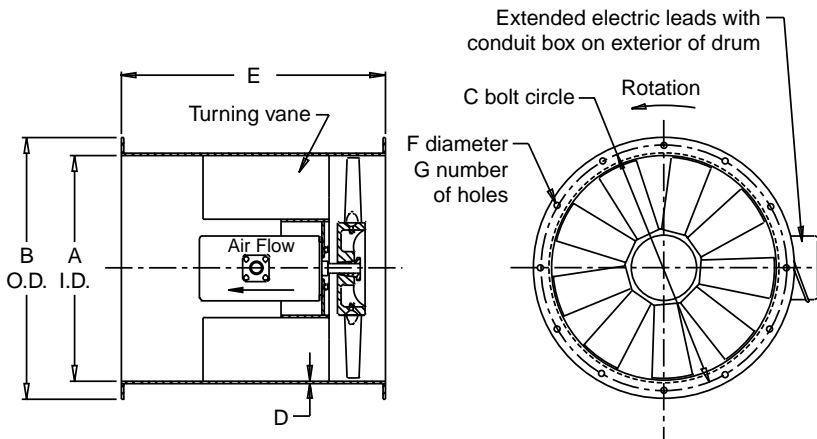


Type AVAD is furnished standard with UL 705 listing (Power Ventilator/ZACT) when furnished with factory supplied motor.



Type AVAD is furnished standard with cUL listing (Power Ventilator) when furnished with factory supplied motor.

- Description** - Fan shall be a direct drive, adjustable pitch, vane axial fan.
- Certifications** - Fan shall be manufactured at an ISO 9001 certified facility. Fan shall be listed by Underwriters Laboratories (UL 705) and UL listed for Canada (cUL 705). Fan shall bear the AMCA certified ratings seal for air and sound performance.
- Construction** - Fan shall be of bolted and welded construction utilizing corrosion resistant fasteners. Housing shall be minimum 7 gauge steel with continuously welded seam. Housing shall incorporate minimum 2" x 2" x 1/4" welded inlet and outlet flanges pre-punched for mounting. Housing shall include welded steel discharge vanes surrounding a "C" face mount motor tunnel. Copper lube lines shall be extended from motor bearings to the outside of the housing when applicable. Unit shall bear an engraved aluminum nameplate.
- Coating** - All steel fan components shall be Lorenized™ with an electrostatically applied, baked polyester powder coating. Each component shall be subject to a five stage environmentally friendly wash system, followed by a minimum 2 mil thick baked powder finish. Paint must exceed 1,000 hour salt spray under ASTM B117 test method.
- Propeller** - Propeller shall be an adjustable pitch, cast aluminum, 9 blade airfoil design, factory set to required pitch. Individual blades shall be cast with a threaded fastener and feature a conical section to secure the blade to the cast aluminum hub and to provide provision for pitch adjustment. The propeller hub shall be keyed and locked to the shaft utilizing a split taper bushing and retaining plate. Propeller shall be balanced in accordance with AMCA Standard 204-96, *Balance Quality and Vibration Levels for Fans, Category BV-3*.
- Motor** - Motor shall be heavy duty type furnished at the specified voltage and phase.
- Product** - Fan shall be model AVAD as manufactured by Loren Cook Company of Springfield, Missouri.



AVAD Dimension Data

AVAD Size	A	B	C	D	E	F	G	TEFC Max. Frame Size	Approx. Ship Wt. Lbs.*
35	35-1/2	39-7/8	38	7 ga.	30	9/16	12	256TC	380
39	39-3/8	43-7/8	41-7/8	7 ga.	30	9/16	12	256TC	435
44	44-1/8	49-5/8	47-3/8	7 ga.	34	9/16	12	326TC	620
49	49-1/4	54-3/4	52-1/2	7 ga.	34	9/16	12	326TC	680
57	57-1/8	62-5/8	60-3/8	1/4	42	9/16	12	405TC	1175
63	63	68-1/2	66-1/4	1/4	42	11/16	16	405TC	1285
71	70-7/8	77-5/8	75	1/4	54	11/16	16	449TC	2020
79	78-3/4	85-1/2	82-7/8	1/4	54	11/16	16	449TC	2215

All dimensions in inches. *Less motor.

AVAB Specifications and Dimension Data

Adjustable Pitch Vane Axial Fan Belt Drive



Loren Cook Company certifies that the AVAB shown herein is licensed to bear the AMCA Seal. The ratings shown are based on tests and procedures performed in accordance with AMCA Publication 211 and comply with the requirements of the AMCA Certified Ratings Program.



Type AVAB is furnished standard with UL 705 listing (Power Ventilator/ZACT) when furnished with factory supplied motor.



Type AVAB is furnished standard with cUL listing (Power Ventilator) when furnished with factory supplied motor.

Description - Fan shall be a belt drive, adjustable pitch, vane axial fan.

Certifications - Fan shall be manufactured at an ISO 9001 certified facility. Fan shall be listed by Underwriters Laboratories (UL 705) and UL listed for Canada (cUL 705). Fan shall bear the AMCA certified ratings seal for air and sound performance.

Construction - Fan shall be of bolted and welded construction utilizing corrosion resistant fasteners. Housing shall be minimum 3/16" steel with continuously welded seam. Housing shall incorporate minimum 2" x 2" x 1/4" continuously welded inlet and outlet flanges pre-punched for mounting. Housing shall include welded steel discharge vanes and aerodynamically designed dual belt tunnels. Copper lube lines shall be extended from the bearings to the outside of the housing. Adjustable motor plate shall be attached to a welded motor sub-base and shall utilize threaded studs for positive belt tensioning. Unit shall bear an engraved aluminum nameplate.

Coating - All steel fan components shall be Lorenized™ with an electrostatically applied, baked polyester powder coating. Each component shall be subject to a five stage environmentally friendly wash system, followed by a minimum 2 mil thick baked powder finish. Paint must exceed 1,000 hour salt spray under ASTM B117 test method.

Propeller - Propeller shall be an adjustable pitch, cast aluminum, 9 blade airfoil design, factory set to required pitch. Individual blades shall be cast with a threaded fastener and feature a conical section to secure the blade to the cast aluminum hub and to provide provision for pitch adjustment. The propeller shall be keyed and locked to the shaft utilizing a split taper bushing and retaining plate. Propeller shall be balanced in accordance with AMCA Standard 204-96, *Balance Quality and Vibration Levels for Fans*, Category BV-3.

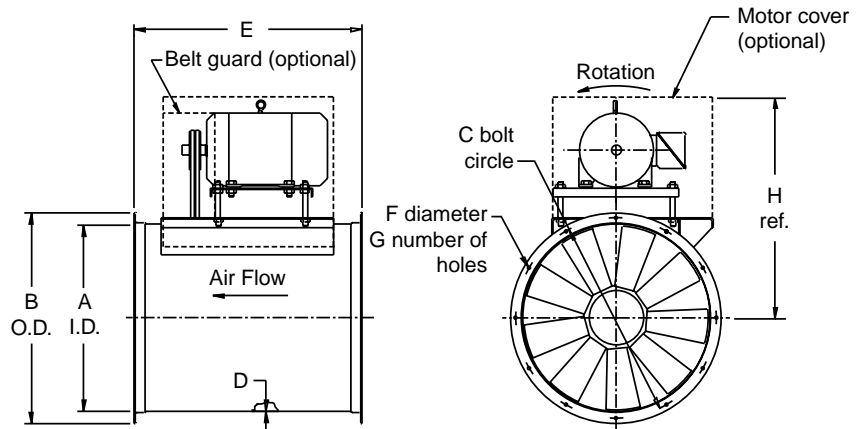
Motor - Motor shall be heavy duty type furnished at the specified voltage, phase and enclosure.

Bearings - Bearings shall be designed and tested specifically for use in air handling applications. Construction shall be heavy duty regreasable ball or roller type in a cast iron pillow block housing selected for a minimum L50 life in excess of 500,000 hours for horizontal units, and L50 life in excess of 250,000 hours for vertical units at maximum cataloged operating speed.

Blower Shaft - Blower shaft shall be AISI C-1045 hot rolled and accurately turned, ground and polished. Shafting shall be sized for a critical speed of at least 125 percent of maximum RPM.

Belts and Drives - Belts shall be oil and heat resistant, non-static type. Drives shall be precision machined cast iron, fixed pitch type, keyed and securely attached to the wheel and motor shafts. Drives shall be sized for 150 percent of the installed motor horsepower.

Product - Fan shall be model AVAB as manufactured by Loren Cook Company of Springfield, Missouri.



AVAB Dimension Data

AVAB Size	A	B	C	D	E	F	G	H	ODP Max. Motor Frame	Approx. Ship Wt. Lbs.*
35	35-1/2	39-7/8	38	3/16	43	9/16	12	35-1/8	365T	820
39	39-3/8	43-15/16	41-7/8	1/4	43	9/16	12	37-1/8	365T	940
44	44-1/8	49-5/8	47-3/8	1/4	47	9/16	12	42-5/8	405T	1440
49	49-1/4	54-3/4	52-1/2	1/4	47	9/16	12	43-9/16	405T	1520
57	57-1/8	62-5/8	58-7/8	1/4	61	9/16	12	44-5/8	445T	2150
63	63	68-1/2	66-1/4	1/4	61	11/16	16	46-3/4	445T	2400
71	70-7/8	77-5/8	75	3/8	72	11/16	16	64-1/4	445T	3850
79	78-3/4	85-9/16	82-7/8	3/8	72	11/16	16	67-1/4	445T	4200

All dimensions in inches. *Less motor.

Disconnect Switches

NEMA 1 - Indoor general purpose.

NEMA 1 (Lockable) - Indoor general purpose with locking capability.

NEMA 3R - Exterior mount, rain-tight.

NEMA 4 - Watertight and dust-tight.

NEMA 7 and NEMA 9 - Lockable, indoor, explosion proof.



NEMA 1



NEMA 1 (lockable)



NEMA 4



NEMA 3R



**NEMA 7
NEMA 9**

Belt Guard



A belt guard is designed to cover the top, front and sides of the drive assembly. Belt guards are constructed of minimum 18 gauge Lorenized™ steel and have an open back to allow for inspection or belt tightening. Belt guards are factory installed.

Motor Cover



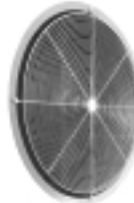
The motor cover encloses the motor and drive assembly and serves as an OSHA belt guard. The motor cover is constructed of 18 gauge Lorenized™ steel. Motor covers are factory installed.

Inlet/Outlet Companion Flange



Inlet/outlet companion Flanges are available for use in conjunction with the standard flanged inlet/outlet. The inlet/outlet companion flange is attached to the adjacent ductwork to provide an exact mate to the flanged connection on the fan.

Inlet/Outlet Guard



Inlet/outlet guards are used in non-ducted installations to protect personnel and prevent debris from entering the fan.



Inlet/Outlet Flex Duct Connector

Flex duct connectors are available for the inlet or outlet of the AVAD/AVAB. These connectors provide a flexible connection between the fan and the attached ductwork. This reduces the transmission of noise and vibration to the ductwork as well as allowing for slight misalignment and easy removal of the fan without disturbing the rigid ductwork. Flex duct connectors are constructed of reinforced neoprene fabric and aluminum bands.

Mounting Feet

Mounting feet, bolted to the inlet and outlet flanges, provide a solid base for mounting to the floor, ceiling or wall. The mounting feet can be used with vibration isolators.

Mounting Brackets

Mounting brackets are securely welded in place in either the vertical or horizontal discharge configurations and are based upon the specific location requirements. The bracket design allows for use with vibration isolators in all configurations, when required.

Inlet Bell

An inlet bell provides for more uniform airflow to the fan blades and is normally used when no inlet ductwork is present. When a non-ducted vane axial fan is installed without an inlet bell, system effect will occur due to the uneven loading of the fan blades.

Inlet Cone/Outlet Cone

Normally used to adapt ductwork to a specific size vane axial fan. Depending on the location of the installation, the velocity pressure change can equate to static pressure regain or static pressure loss.

Sound Muffler

A sound muffler can be mounted on both the inlet or outlet of the unit and is used for sound critical applications. The sound muffler is not for use with wet atmospheres, velocities greater than 5000 FPM, and temperatures above 250°F.

Butterfly Dampers

Butterfly dampers provide for a weatherproof closure for outdoor vertical discharge applications. The dampers must be used in conjunction with optional curb panel for roof curb mounting.

Curb Panel

A curb panel, when used in conjunction with optional butterfly dampers, converts the unit to a vane axial roof upblast unit. The curb panel is used for mounting on a roof curb.

Inspection Door

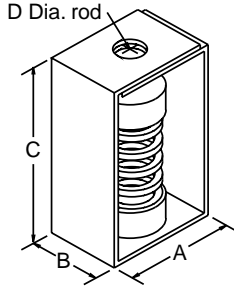
An inspection door allows for ease of access to the propeller when the unit is installed in a system.

Thrust Restraints Kit

Thrust restraints minimize fan movement when the unit thrust ratio exceeds weight ratio. Thrust restraints require isolators. The kit includes two mounting brackets, welded to the fan housing, and two brackets shipped loose for duct work mounting.

AVAD/AVAB Accessories

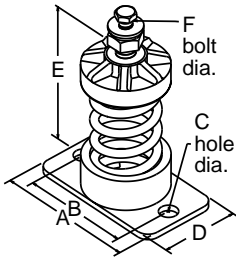
Spring Isolator - Ceiling Mounted



Unit	Rated Load (lbs.)	Spring. Rate (lbs./in.)	A	B	C	D	Approx. Ship Wt. Lbs.
SC-35	35	23	3-11/16	2-1/4	5-1/4	1/2	2
SC-70	70	51	3-11/16	2-1/4	5-1/4	1/2	2
SC-125	125	100	3-11/16	2-1/4	5-1/4	1/2	2
SC-245	245	206	3-11/16	2-1/4	5-1/4	1/2	2
SC-370	370	370	3-11/16	2-1/4	5-1/4	1/2	2
SC-500	500	500	3-11/16	2-1/4	5-1/4	5/8	2
SC-1000	1000	870	5-9/16	3-5/8	8-9/16	3/4	5

All dimensions in inches.

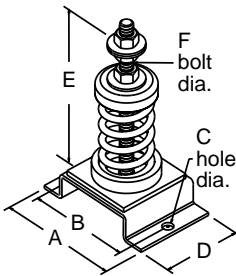
Free Standing Spring Isolator - Floor Mounted



Unit	Rated Load (lbs.)	Spring. Rate (lbs./in.)	A	B	C	D	E	F	Approx. Ship Wt. Lbs.
SF-70	70	51	2-5/8	**	11/16	2-5/8	3-1/2	3/8	2
SF-120	120	98	4-1/2	3-1/2	9/16	2-1/2	3-1/2	3/8	2
SF-220	220	196	4-1/2	3-1/2	9/16	2-1/2	3-1/2	3/8	2
SF-370	370	366	4-1/2	3-1/2	9/16	2-1/2	3-1/2	3/8	2
SF-625	625	419	7	5-1/2	11/16	4	4-1/2	3/8	4
SF-1250	1250	1096	7	5-1/2	11/16	4	4-3/4	3/8	5

All dimensions in inches. Isolators listed are designed to provide a minimum of 50 percent of overload capacity. A single hole is provided at the center of the plate.

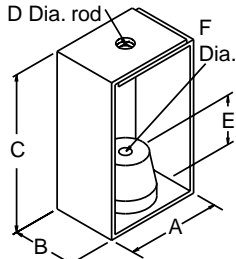
Restrained Spring Isolator - Floor Mounted



Unit	Rated Load (lbs.)	Spring. Rate (lbs./in.)	A	B	C	D	E	F	Approx. Ship Wt. Lbs.
RS-70	70	51	4-3/4	3-3/4	7/16	3	5	1/2	3
RS-120	120	98	4-3/4	3-3/4	7/16	3	5	1/2	3
RS-220	220	196	4-3/4	3-3/4	7/16	3	5	1/2	3
RS-370	370	366	4-3/4	3-3/4	7/16	3	5	1/2	3
RS-625	625	419	8	6-1/2	11/16	4	7-1/2	5/8	6
RS-1250	1250	1096	8	6-1/2	11/16	4	7-1/2	5/8	7

All dimensions in inches. Isolators listed are designed to provide a minimum of 50 percent of overload.

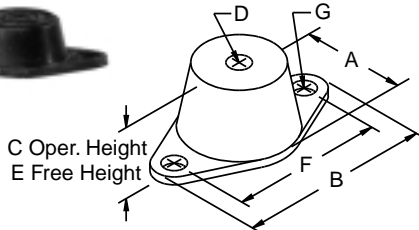
Rubber-in-Shear Isolator - Ceiling Mounted



Unit	Rated Load (lbs.)	A	B	C	D	E	F	Approx. Ship Wt. Lbs.
RC-75	75	2-5/32	1-1/2	2-23/32	11/16	15/32	3/8	1
RC-125	125	2-5/32	1-1/2	2-23/32	11/16	15/32	3/8	1
RC-175	175	3-5/32	2-1/4	5-11/16	3/4	1-31/64	3/4	2
RC-300	300	3-5/32	2-1/4	5-11/16	3/4	1-31/64	3/4	2
RC-450	450	3-5/32	2-1/4	5-11/16	3/4	1-31/64	3/4	2
RC-700	700	4	4-3/4	8	3/4	1-1/2	3/4	3
RC-1100	1100	4	4-3/4	8	3/4	1-1/2	3/4	5

All dimensions in inches.

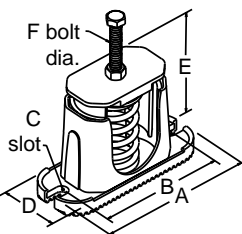
Rubber-in-Shear Isolator - Floor Mounted



Unit	Rated Load (lbs.)	A	B	C	D	E	F	G	Approx. Ship Wt. Lbs.
RF-55	55	1-13/16	3-3/16	1-7/64	5/16 NC	1-1/2	2-3/8	11/32	1
RF-120	120	2-3/8	3-7/8	1-1/4	3/8 NC	1-3/4	3	11/32	1
RF-220	220	2-3/8	3-7/8	1-1/4	3/8 NC	1-3/4	3	11/32	1
RF-375	375	2-3/8	3-7/8	1-1/4	3/8 NC	1-3/4	3	11/32	1
RF-600	600	3-1/4	5-1/2	2	1/2 NC	2-1/2	4-1/8	9/16	2
RF-1100	1100	3-1/4	5-1/2	2	1/2 NC	2-1/2	4-1/8	9/16	2

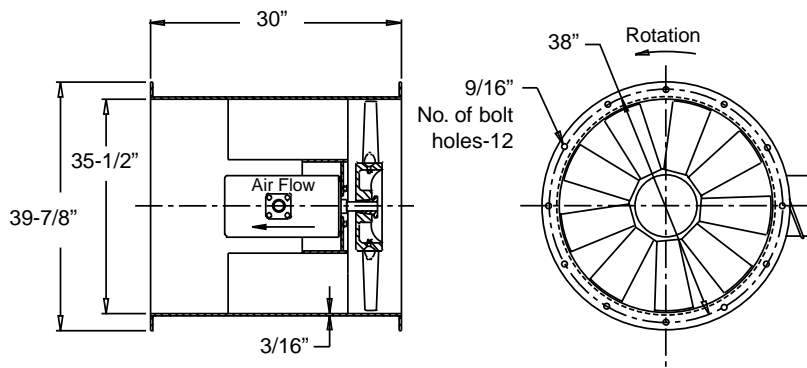
All dimensions in inches.

Housed Spring Isolator - Floor Mounted



Unit	Rated Load (lbs.)	Spring. Rate (lbs./in.)	A	B	C	D	E	F	Approx. Ship Wt. Lbs.
HF-120	120	98	6-1/8	5-5/8	5/16	2-1/8	3-1/2	3/8	2
HF-220	220	196	6-1/8	5-5/8	5/16	2-1/8	3-1/2	3/8	2
HF-320	320	302	6-1/8	5-5/8	5/16	2-1/8	3-1/2	3/8	2
HF-370	370	366	6-1/8	5-5/8	5/16	2-1/8	3-1/2	3/8	2
HF-500	500	500	6-1/8	5-5/8	5/16	2-1/8	3-1/2	3/8	2
HF-700	700	700	6-1/8	5-5/8	5/16	2-1/8	3-1/2	3/8	2
HF-800	800	588	9	7-1/2	7/16	3-1/2	5	5/8	13
HF-1000	1000	826	9	7-1/2	7/16	3-1/2	5	5/8	13

All dimensions in inches. Isolators listed are designed to provide a minimum of 50 percent of overload capacity.



Prop Diameter - 35.25"
Drive Type - Direct
Maximum Frame - 256TC
Tip Speed (FPM) = 9.23 x RPM
Sound Data - Page 25
Approx. Shipping Wt.-Lbs. - 380 (less motor)

35 AVAD

Catalog Number	Max. BHP	Motor RPM	Blade Pitch Angle°	CFM at Static Pressure													
				0"	1/8"	1/4"	3/8"	1/2"	5/8"	3/4"	7/8"	1"	1-1/8"	1-1/4"	1-3/8"	1-1/2"	1-5/8"
35AVA08D10	0.71	860	10	6708	6178	5552	4817	4127	3301	2544	2019	1387	749	441			
35AVA08D13	1.21	860	13	8388	7851	7302	6696	5922	4968	3831	3070	2503	1755	1094	578		
35AVA08D16	1.66	860	16	9901	9354	8765	8073	7237	6339	5360	3839	3200	2593	1864	1135	583	
35AVA08D19	2.13	860	19	11538	10959	10327	9591	8820	7767	6669	4599	3967	3303	2462	1689	1017	382
35AVA08D22	2.68	860	22	12972	12378	11755	11067	10256	9253	8092	6013	4600	3863	3108	2224	1386	776
35AVA08D25	3.16	860	25	14642	13984	13320	12638	11863	10778	9492	8229						
35AVA08D28	3.81	860	28	16111	15459	14784	14050	13221	12244	11000	9563						
35AVA08D31	4.25	860	31	17585	16908	16209	15457	14614	13617	12350	10775						
35AVA08D34	4.67	860	34	18957	18193	17420	16626	15776	14767	13465	11867						
35AVA08D37	5.16	860	37	20540	19760	18936	17995	16924	15851	14666	12531						
35AVA08D40	5.38	860	40	21857	20967	20066	19143	18159	17015	15634							

Catalog Number	Max. BHP	Motor RPM	Blade Pitch Angle°	CFM at Static Pressure													
				0"	1/4"	1/2"	3/4"	1"	1-1/4"	1-1/2"	1-3/4"	2"	2-1/4"	2-1/2"	2-3/4"	3"	
35AVA11D10	1.73	1160	10	9048	8257	7298	6210	5168	3870	3013	2131	1192	633				
35AVA11D13	2.99	1160	13	11314	10518	9696	8749	7504	5969	4474	3619	2584	1560	785			
35AVA11D16	3.83	1160	16	13354	12542	11650	10574	9281	7930	5797	4556	3677	2626	1536	723		
35AVA11D19	5.29	1160	19	15563	14701	13745	12626	11451	9689	7848	5585	4660	3442	2285	1292		
35AVA11D22	6.68	1160	22	17498	16614	15680	14624	13327	11736	9707	6557	5410	4306	3009	1781	899	
35AVA11D25	7.88	1160	25	19750	18773	17788	16757	15490	13661	11835							
35AVA11D28	9.43	1160	28	21731	20764	19752	18633	17341	15745	13647							
35AVA11D31	10.1	1160	31	23719	22714	21669	20526	19209	17578	15387							
35AVA11D34	10.7	1160	34	25570	24437	23287	22097	20777	19100	16942							
35AVA11D37	10.8	1160	37	27705	26546	25305	23854	22246	20636	18360							
35AVA11D40	11.0	1160	40	29481	28162	26822	25438	23918	22059								

Catalog Number	Max. BHP	Motor RPM	Blade Pitch Angle°	CFM at Static Pressure													
				0"	1/2"	1"	1-1/2"	2"	2-1/2"	3"	3-1/2"	4"	4-1/2"	5"	5-1/2"	6"	6-1/2"
35AVA17D10	5.70	1725	10	13455	12398	11153	9687	8310	6675	5144	4095	2839	1559	916			
35AVA17D13	9.74	1725	13	16825	15754	14659	13454	11920	10026	7761	6205	5076	3599	2262	1222		
35AVA17D16	13.3	1725	16	19859	18770	17595	16220	14558	12768	10834	7770	6472	5270	3829	2359	1241	
35AVA17D19	17.1	1725	19	23144	21989	20731	19264	17729	15666	13452	9292	8010	6707	5036	3477	2129	863
35AVA17D22	21.5	1725	22	26020	24834	23594	22224	20613	18623	16319	12399	9304	7823	6326	4582	2878	1642
35AVA17D25	21.4	1725	25	29369	28056	26734	25375	23835	21693	19125	16637						
35AVA17D28	21.0	1725	28	32315	31016	29671	28208	26559	24622	22165	19287						
35AVA17D31	21.9	1725	31	35272	33922	32528	31031	29355	27377								
35AVA17D34	21.8	1725	34	38024	36501	34960											

Performance shown is for installation type D: ducted inlet, ducted outlet. Performance ratings do not include the effects of appurtenances in the airstream.

39 AVAD Data

Prop Diameter - 39.13"

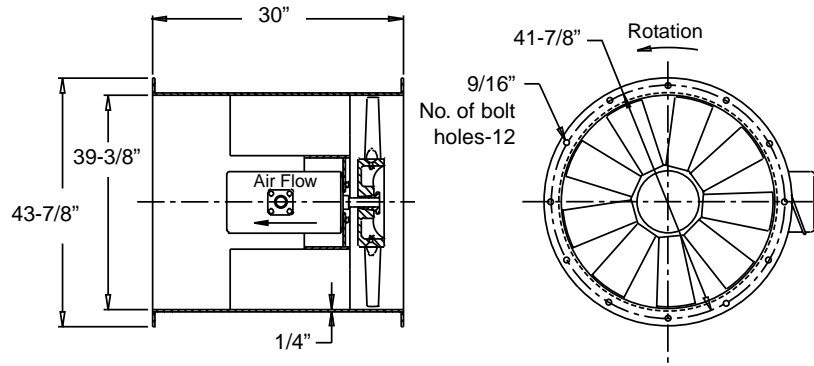
Drive Type - Direct

Maximum Frame - 256TC

Tip Speed (FPM) = 10.24 x RPM

Sound Data - Page 25

Approx. Shipping Wt.-Lbs. - 425 (less motor)



39 AVAD

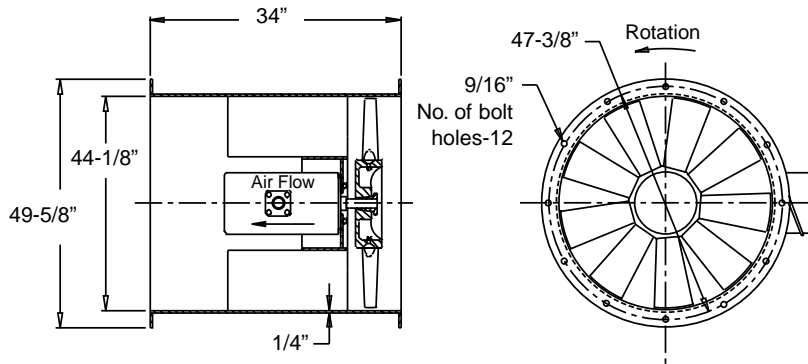
Catalog Number	Max. BHP	Motor RPM	Blade Pitch Angle°	CFM at Static Pressure												
				0"	1/8"	1/4"	3/8"	1/2"	5/8"	3/4"	7/8"	1"	1-1/8"	1-1/4"		
39AVA06D10	0.53	690	10	6531	5701	4937	3600	2506	1656	692						
39AVA06D13	0.89	690	13	8416	7587	6643	5452	4154	2923	2048	960					
39AVA06D16	1.31	690	16	10232	9410	8456	7199	5905	4130	3145	2109	1023				
39AVA06D19	1.66	690	19	12165	11200	10160	8955	7605	5347	3981	2948	1570	712			
39AVA06D22	2.19	690	22	13852	12964	11940	10642	9145	6990	4945	3894	2550	1311	493		
39AVA06D25	2.72	690	25	15524	14555	13531	12332	10746	8921							
39AVA06D28	3.14	690	28	17387	16399	15327	14061	12494	10507							
39AVA06D31	3.12	690	31	18824	17840	16768	15465	13698	11738							
39AVA06D34	3.26	690	34	20337	19335	18205	16736	14936	13248							
39AVA06D37	3.27	690	37	22136	21088	19871	18205	16402	14548							
39AVA06D40	3.13	690	40	23654	22543											

Catalog Number	Max. BHP	Motor RPM	Blade Pitch Angle°	CFM at Static Pressure												
				0"	1/8"	1/4"	3/8"	1/2"	5/8"	3/4"	7/8"	1"	1-1/4"	1-1/2"	1-3/4"	
39AVA08D10	1.06	860	10	8141	7475	6813	6216	5441	4139	3275	2605	1885	463			
39AVA08D13	1.68	860	13	10489	9832	9142	8371	7451	6468	5443	4273	3482	1955	531		
39AVA08D16	2.54	860	16	12753	12102	11413	10632	9680	8617	7587	6367	4919	3396	1602		
39AVA08D19	3.40	860	19	15162	14393	13601	12759	11834	10802	9728	8324	6288	4408	2437	876	
39AVA08D22	4.33	860	22	17265	16560	15818	14980	13996	12865	11660	10327	7941	5603	3693	1620	
39AVA08D25	5.03	860	25	19348	18575	17785	16956	16051	14983	13689	12280	10585				
39AVA08D28	6.31	860	28	21670	20884	20071	19202	18233	17137	15868	14387	12653				
39AVA08D31	7.08	860	31	23461	22678	21869	20999	20017	18851	17405	15869	14199				
39AVA08D34	7.86	860	34	25347	24551	23721	22799	21704	20388	18925	17562	16068				
39AVA08D37	8.08	860	37	27589	26758	25883	24888	23648	22186	20745	19345	17562				
39AVA08D40	8.24	860	40	29482	28599	27678	26664	25455	24015	22464	20729					

Catalog Number	Max. BHP	Motor RPM	Blade Pitch Angle°	CFM at Static Pressure													
				0"	1/4"	1/2"	3/4"	1"	1-1/4"	1-1/2"	1-3/4"	2"	2-1/4"	2-1/2"	2-3/4"	3"	3-1/4"
39AVA11D19	8.51	1160	19	20452	19310	18126	16851	15424	13862	12113	9184	7306	6062	4812	3131	1828	955
39AVA11D22	10.3	1160	22	23288	22241	21125	19833	18295	16549	14713	12035	8967	7674	6398	4836	3108	1915
39AVA11D25	10.9	1160	25	26098	24950	23772	22522	21115	19375	17343	15165						
39AVA11D28	10.3	1160	28	29230	28062	26849	25526	24031	22297	20252	17835						
39AVA11D31	10.8	1160	31	31646	30483	29274	27947	26414	24503								
39AVA11D34	10.8	1160	34	34189	33007	31759											

Catalog Number	Max. BHP	Motor RPM	Blade Pitch Angle°	CFM at Static Pressure													
				0"	1/2"	1"	1-1/2"	2"	2-1/2"	3"	3-1/2"	4"	4-1/2"	5"	5-1/2"	6"	7"
39AVA17D10	9.20	1760	10	16660	15360	14062	12882	11551	8932	7128	5751	4419	2865	1471			
39AVA17D13	14.8	1760	13	21466	20182	18841	17360	15606	13678	11769	9417	7644	6312	4832	3052	1680	
39AVA17D16	21.0	1760	16	26099	24827	23489	21988	20192	18115	16099	13949	10842	9095	7672	6066	4245	1365
39AVA17D19	21.3	1760	19	31030	29528	27985	26349	24573	22594	20518	18106	14161	11467	9767			
39AVA17D22	22.0	1760	22	35333	33957	32516	30903	29031	26870	24531	22074						
39AVA17D25	21.8	1760	25	39597	38086	36544	34938										

Performance shown is for installation type D: ducted inlet, ducted outlet. Performance ratings do not include the effects of appurtenances in the airstream.



Prop Diameter - 43.88"
Drive Type - Direct
Maximum Frame - 326TC
Tip Speed (FPM) = 11.49 x RPM
Sound Data - Page 25
Approx. Shipping Wt.-Lbs. - 620 (less motor)

44 AVAD

Catalog Number	Max. BHP	Motor RPM	Blade Pitch Angle°	CFM at Static Pressure										
				0"	1/8"	1/4"	3/8"	1/2"	5/8"	3/4"	7/8"	1"	1-1/4"	1-1/2"
44AVA06D10	1.09	690	10	10378	9555	8582	7440	6368	5079	3917	3101	2118	667	
44AVA06D13	1.88	690	13	12977	12144	11290	10347	9142	7656	5887	4727	3841	1660	
44AVA06D16	2.40	690	16	15317	14469	13553	12477	11175	9780	8251	5903	4924	2837	866
44AVA06D19	3.06	690	19	17851	16951	15969	14824	13627	11973	10279	7080	6110	3758	1527
44AVA06D22	4.14	690	22	20070	19146	18179	17109	15846	14283	12473	9136	7079	4762	2094
44AVA06D25	4.89	690	25	22653	21630	20600	19540	18332	16636	14641	12664			
44AVA06D28	5.88	690	28	24925	23913	22865	21723	20433	18911	16966	14741			
44AVA06D31	6.29	690	31	27206	26155	25068	23900	22588	21035	19054	16609			
44AVA06D34	6.94	690	34	29329	28143	26942	25708	24386	22813	20780	18285			
44AVA06D37	7.69	690	37	31778	30566	29285	27822	26158	24491	22640	19266			
44AVA06D40	7.70	690	40	33815	32434	31034	29599	28070	26287	24137				

Catalog Number	Max. BHP	Motor RPM	Blade Pitch Angle°	CFM at Static Pressure													
				0"	1/8"	1/4"	3/8"	1/2"	5/8"	3/4"	5/8"	1"	1-1/4"	1-1/2"	1-3/4"	2"	2-1/2"
44AVA08D10	2.14	860	10	12935	12284	11589	10788	9883	8970	8121	7189	6062	4438	2972	1400		
44AVA08D13	3.53	860	13	16175	15507	14834	14146	13421	12602	11624	10498	9235	6578	5110	3315	1753	
44AVA08D16	4.93	860	16	19091	18415	17719	16975	16151	15220	14166	13050	11925	8838	6446	4939	3087	
44AVA08D19	6.31	860	19	22249	21533	20792	19995	19104	18149	17194	16138	14554	11771	7918	6296	4209	831
44AVA08D22	8.09	860	22	25015	24276	23525	22743	21911	21005	19987	18810	17485	14328	9265	7383	5455	1579
44AVA08D25	9.55	860	25	28234	27414	26592	25764	24926	24051	23080	21883	20356	17227				
44AVA08D28	11.5	860	28	31066	30257	29437	28590	27697	26741	25702	24553	23251	19888				
44AVA08D31	12.3	860	31	33909	33068	32217	31340	30425	29451	28393	27225	25889	22417				
44AVA08D34	13.5	860	34	36555	35604	34649	33684	32704	31697	30633	29463	28098	24630				
44AVA08D37	15.0	860	37	39607	38639	37653	36615	35489	34239	32894	31544	30208	26803				
44AVA08D40	16.2	860	40	42147	41039	39927	38802	37659	36488	35261	33922	32388	28810				

Catalog Number	Max. BHP	Motor RPM	Blade Pitch Angle°	CFM at Static Pressure													
				0"	1/4"	1/2"	3/4"	1"	1-1/4"	1-1/2"	1-3/4"	2"	2-1/2"	3"	3-1/2"	4"	4-1/2"
44AVA11D10	5.52	1180	10	17748	16798	15776	14582	13243	11938	10696	9210	7600	5539	3310	1436		
44AVA11D13	8.71	1180	13	22193	21220	20237	19230	18152	16898	15393	13673	11722	8333	6200	3516	1551	
44AVA11D16	12.3	1180	16	26195	25209	24189	23090	21859	20450	18866	17237	15566	10465	8105	5720	3029	1056
44AVA11D19	15.6	1180	19	30528	29483	28397	27215	25891	24492	23086	21309	19017	12557	10126	7398	4499	2090
44AVA11D22	20.3	1180	22	34322	33246	32148	31000	29765	28404	26847	25035	23035	17362	11686	9025	5925	3047
44AVA11D25	24.0	1180	25	38739	37544	36345	35138	33909	32604	31109	29164	26812	22323				
44AVA11D28	29.3	1180	28	42626	41446	40247	39005	37689	36264	34698	32940	30899	25776				
44AVA11D31	32.9	1180	31	46526	45300	44056	42773	41420	39967	38377	36590	34496	29049				
44AVA11D34	32.4	1180	34	50156	48771	47377	45968	44532	43045	41452	39647	37481	32045				
44AVA11D37	32.6	1180	37	54344	52934	51488	49965	48286	46415	44435	42486	40492	34188				
44AVA11D40	32.9	1180	40	57829	56215	54592	52948	51277	49551	47715	45665						

Catalog Number	Max. BHP	Motor RPM	Blade Pitch Angle°	CFM at Static Pressure													
				0"	1/2"	1"	1-1/2"	2"	2-1/2"	3"	4"	5"	6"	7"	8"	9"	10"
44AVA17D10	18.0	1760	10	26471	25199	23853	22315	20569	18768	17086	13256	9676	6993	3976	1873		
44AVA17D13	29.2	1760	13	33102	31797	30482	29143	27742	26190	24362	19864	14418	11227	8046	4608	2076	
44AVA17D16	40.6	1760	16	39070	37750	36394	34952	33372	31599	29593	25240	20296	14024	11141	7741	4218	1602
44AVA17D19	51.9	1760	19	45533	44133	42690	41150	39440	37585	35717	31026	25586	17011	14075	10133	6362	3151
44AVA17D22	52.6	1760	22	51193	49750	48283	46764	45157	43419	41492	36784	31032	20372	16266	12657		
44AVA17D25	51.5	1760	25	57780	56179	54572	52956	51325	49634	47797	42846	36629					
44AVA17D28	54.3	1760	28	63578	61997	60396	58746	57021	55184	53194							

Performance shown is for installation type D: ducted inlet, ducted outlet. Performance ratings do not include the effects of appurtenances in the airstream.

49 AVAD Data

Prop Diameter - 49"

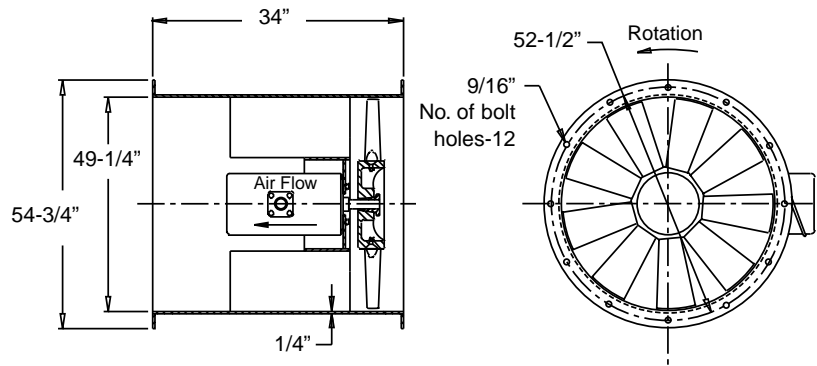
Drive Type - Direct

Maximum Frame - 326TC

Tip Speed (FPM) = 12.83 x RPM

Sound Data - Page 25

Approx. Shipping Wt.-Lbs. - 680 (less motor)



49 AVAD

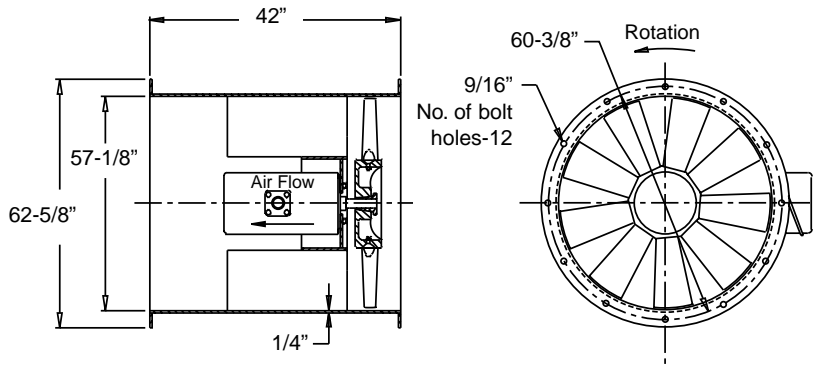
Catalog Number	Max. BHP	Motor RPM	Blade Pitch Angle°	CFM at Static Pressure													
				0"	1/8"	1/4"	3/8"	1/2"	5/8"	3/4"	7/8"	1"	1-1/4"	1-1/2"	1-3/4"	2"	
49AVA06D10	1.68	690	10	12830	11791	10756	9822	8645	6593	5225	4170	3058	809				
49AVA06D13	2.66	690	13	16532	15505	14430	13228	11798	10262	8681	6833	5566	3213	927			
49AVA06D16	4.02	690	16	20100	19083	18008	16793	15316	13655	12046	10193	7861	5465	2662			
49AVA06D19	5.09	690	19	23897	22696	21459	20145	18706	17100	15427	13301	10071	7062	4053	1495		
49AVA06D22	6.84	690	22	27211	26110	24953	23649	22119	20360	18481	16432	12869	8946	6016	2699	632	
49AVA06D25	7.94	690	25	30494	29286	28053	26761	25352	23696	21690	19497	17009					
49AVA06D28	9.97	690	28	34154	32926	31658	30302	28795	27090	25126	22833	20171					
49AVA06D31	10.4	690	31	36977	35754	34490	33134	31608	29803	27563	25162	22599					
49AVA06D34	10.7	690	34	39949	38706	37410	35977	34274	32232	29950	27805	25550					
49AVA06D37	10.6	690	37	43483	42184	40818	39274	37347	35070	32815	30628	27985					
49AVA06D40	10.8	690	40	46466	45086	43649	42069	40195	37956								

Catalog Number	Max. BHP	Motor RPM	Blade Pitch Angle°	CFM at Static Pressure													
				0"	1/4"	1/2"	3/4"	1"	1-1/4"	1-1/2"	1-3/4"	2"	2-1/4"	2-1/2"	2-3/4"	3"	3-1/4"
49AVA08D10	3.46	880	10	16363	14732	13153	11635	8571	6450	4814	2922	1215					
49AVA08D13	5.61	880	13	21084	19466	17728	15645	13243	10712	8026	6288	4395	2270	871			
49AVA08D16	8.10	880	16	25634	24031	22284	20166	17583	15054	11663	9030	7229	5108	2923	1298		
49AVA08D19	11.0	880	19	30477	28589	26613	24450	21981	19339	15451	11392	9269	7220	4451	2459	1029	
49AVA08D22	14.2	880	22	34704	32972	31089	28849	26159	23211	19684	13954	11674	9582	6984	4226	2417	827
49AVA08D25	17.3	880	25	38891	36995	35035	32916	30409	27257	23771							
49AVA08D28	20.1	880	28	43559	41627	39600	37346	34738	31640	27897							
49AVA08D31	23.6	880	31	47159	45236	43213	40945	38222	34695	30928							
49AVA08D34	26.2	880	34	50950	48992	46904	44434	41337	37769	34490							
49AVA08D37	26.5	880	37	55456	53409	51196	48460	44968	41435	37982							
49AVA08D40	26.6	880	40	59261	57090	54774	52057	48654	44856	40329							

Catalog Number	Max. BHP	Motor RPM	Blade Pitch Angle°	CFM at Static Pressure													
				0"	1/4"	1/2"	3/4"	1"	1-1/2"	2"	2-1/2"	3"	3-1/2"	4"	4-1/2"	5"	5-1/2"
49AVA11D10	8.45	1180	10	21942	20727	19507	18307	17206	14403	10093	7413	4794	2039				
49AVA11D13	13.5	1180	13	28271	27074	25853	24576	23194	19905	16347	12132	9146	6507	3284	1149		
49AVA11D16	19.7	1180	16	34373	33189	31976	30695	29300	25904	22057	18047	12954	10231	7161	3894	1486	
49AVA11D19	26.9	1180	19	40867	39466	38046	36585	35062	31721	27914	23467	16461	13000	9977	5928	3055	
49AVA11D22	32.8	1180	22	46534	45253	43942	42565	41065	37535	33312	28728	20462	16233	13157	9321	5311	2745
49AVA11D25	30.3	1180	25	52150	50740	49316	47865	46365	43090	38973	33960						
49AVA11D28	32.3	1180	28	58409	56975	55524	54025	52457	48963	44809	39722	33193					
49AVA11D31	32.8	1180	31	63236	61809	60363	58869	57299	53762								
49AVA11D34	32.8	1180	34	68319	66869	65392											

Catalog Number	Max. BHP	Motor RPM	Blade Pitch Angle°	CFM at Static Pressure													
				0"	1/2"	1"	1-1/2"	2"	2-1/2"	3"	4"	5"	6"	7"	8"	9"	10"
49AVA17D10	27.7	1760	10	32727	31099	29464	27836	26306	24880	23270	17141	12899	9627	5843	2429		
49AVA17D13	44.9	1760	13	42167	40564	38932	37243	35456	33493	31289	26485	21425	16051	12577	8790	4539	1742
49AVA17D16	52.4	1760	16	51268	49682	48063	46375	44568	42582	40333	35167	30108	23326	18060	14459		
49AVA17D19	54.9	1760	19	60955	59077	57179	55238	53226	51127	48900	43963	38679					
49AVA17D22	54.1	1760	22	69407	67690	65944	64123	62179	60049								

Performance shown is for installation type D: ducted inlet, ducted outlet. Performance ratings do not include the effects of appurtenances in the airstream.



Prop Diameter - 56.75"
Drive Type - Direct
Maximum Frame - 405TC
Tip Speed (FPM) = 14.86 x RPM
Sound Data - Page 26
Approx. Shipping Wt.-Lbs. - 1175 (less motor)

57 AVAD

Catalog Number	Max. BHP	Motor RPM	Blade Pitch Angle°	CFM at Static Pressure												
				0"	1/4"	1/2"	3/4"	1"	1-1/4"	1-1/2"	1-3/4"	2"	2-1/4"	2-1/2"	2-3/4"	
57AVA06D10	3.89	690	10	22458	20304	17621	14726	11669	8518	6368	3881	1825				
57AVA06D13	6.77	690	13	28082	25922	23671	20946	17317	12823	9903	7450	4469	2259			
57AVA06D16	8.65	690	16	33146	30941	28466	25403	21826	17943	12354	9937	7261	4240	1951		
57AVA06D19	12.0	690	19	38629	36286	33627	30563	26985	22325	14879	12464	9391	6135	3402		
57AVA06D22	14.3	690	22	43430	41032	38468	35488	31695	27088	18274	14382	11445	8078	4637	2212	
57AVA06D25	18.0	690	25	49020	46373	43697	40823	36924	31775							
57AVA06D28	21.5	690	28	53937	51314	48543	45416	41698	36823	31065						
57AVA06D31	23.1	690	31	58872	56146	53286	50104	46315	41342	35097						
57AVA06D34	25.5	690	34	63466	60395	57269	53995	50185	45076	38429						
57AVA06D37	27.0	690	37	68765	65620	62200	58122	53778	49097							
57AVA06D40	26.2	690	40	73174	69596	65954	62150	57801	52340							

Catalog Number	Max. BHP	Motor RPM	Blade Pitch Angle°	CFM at Static Pressure													
				0"	1/4"	1/2"	3/4"	1"	1-1/4"	1-1/2"	1-3/4"	2"	2-1/2"	3"	3-1/2"	4"	4-1/2"
57AVA08D10	8.30	880	10	28642	26991	25186	23055	20719	18526	16258	13442	11105	7643	3581			
57AVA08D13	13.9	880	13	35815	34127	32418	30655	28727	26407	23636	20470	16826	12212	7979	3902		
57AVA08D16	17.7	880	16	42273	40562	38784	36837	34630	32070	29265	26424	23354	15248	11477	6866	2918	
57AVA08D19	25.1	880	19	49266	47451	45554	43463	41111	38690	36129	32250	28914	18479	14569	9354	4878	
57AVA08D22	29.7	880	22	55389	53521	51608	49592	47405	44943	42062	38738	35076	22181	16944	12113	6506	2625
57AVA08D25	38.1	880	25	62518	60445	58364	56265	54110	51763	48899	45102	41042					
57AVA08D28	44.4	880	28	68789	66743	64655	62479	60149	57604	54768	51508	47557					
57AVA08D31	48.7	880	31	75083	72955	70791	68547	66163	63570	60682	57349	53323					
57AVA08D34	53.6	880	34	80942	78538	76119	73666	71160	68533	65644	62241	58092					
57AVA08D37	59.2	880	37	87700	85253	82732	80046	77045	73714	70286	66911	63202					
57AVA08D40	63.8	880	40	93323	90523	87705	84848	81929	78887	75573	71743	67363					

Catalog Number	Max. BHP	Motor RPM	Blade Pitch Angle°	CFM at Static Pressure													
				0"	1/2"	1"	1-1/2"	2"	2-1/2"	3"	3-1/2"	4"	4-1/2"	5"	6"	7"	8"
57AVA11D10	19.6	1180	10	38406	35934	33169	29869	26421	23209	19303	15442	12876	10219	7262	2756		
57AVA11D13	32.7	1180	13	48025	45505	42947	40271	37200	33389	28894	23648	19105	16349	13544	6773		
57AVA11D16	41.7	1180	16	56685	54128	51441	48442	44952	40905	36688	32263	24946	20418	17641	11346	4865	
57AVA11D19	59.9	1180	19	66061	63348	60487	57249	53659	50027	45126	39675	33681	24750	22025	14830	7733	
57AVA11D22	71.1	1180	22	74272	71483	68610	65541	62143	58177	53447	48142	41518	29688	25423	18481	10181	4012
57AVA11D25	76.6	1180	25	83831	80739	77631	74490	71191	67403	62257	56165	50441					
57AVA11D28	78.7	1180	28	92240	89187	86058	82755	79160	75166	70572	65016	58179					
57AVA11D31	82.0	1180	31	100679	97505	94262	90865	87200	83125	78439	72759	65591					
57AVA11D34	82.3	1180	34	108536	104950	101335	97659	93867									

Performance shown is for installation type D: ducted inlet, ducted outlet. Performance ratings do not include the effects of appurtenances in the airstream.

63 AVAD Data

Prop Diameter -62.63"

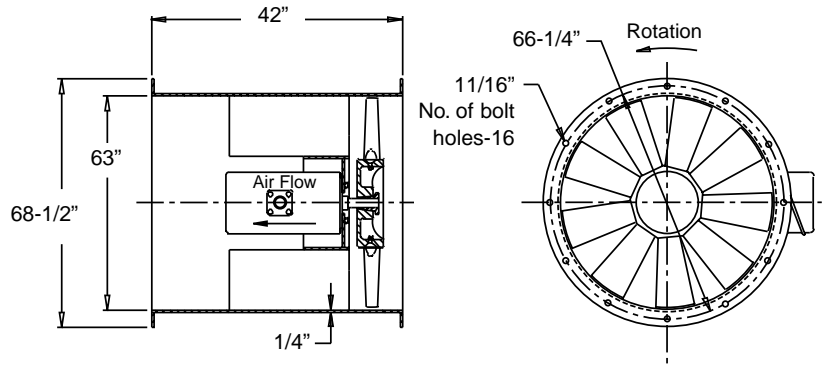
Drive Type - Direct

Maximum Frame - 405TC

Tip Speed (FPM) = 16.40 x RPM

Sound Data - Page 26

Approx. Shipping Wt.-Lbs. - 1285 (less motor)



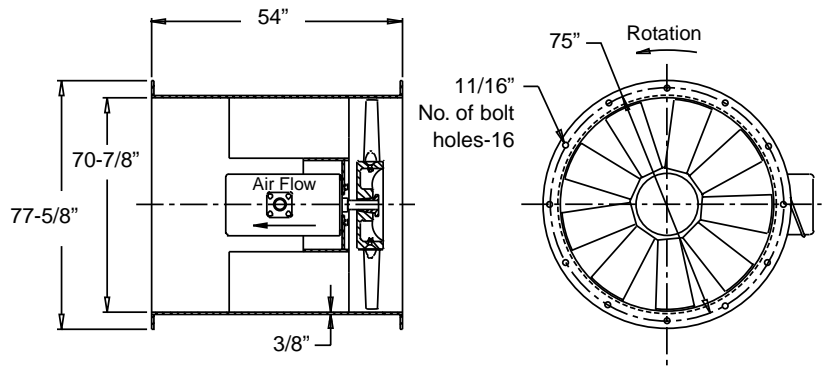
63 AVAD

Catalog Number	Max. BHP	Motor RPM	Blade Pitch Angle°	CFM at Static Pressure												
				0"	1/4"	1/2"	3/4"	1"	1-1/4"	1-1/2"	1-3/4"	2"	2-1/4"	2-1/2"	2-3/4"	
63AVA06D10	5.67	690	10	26785	24126	21549	19084	14094	10615	7947	4876	2063				
63AVA06D13	9.20	690	13	34512	31874	29044	25654	21738	17637	13221	10370	7312	3820	1512		
63AVA06D16	13.3	690	16	41960	39348	36502	33057	28849	24727	19272	14869	11938	8500	4907	2237	
63AVA06D40	43.5	690	40	97004	93465	89693	85274	79740	73554	66242						

Catalog Number	Max. BHP	Motor RPM	Blade Pitch Angle°	CFM at Static Pressure													
				0"	1/4"	1/2"	3/4"	1"	1-1/4"	1-1/2"	1-3/4"	2"	2-1/2"	3"	3-1/2"	4"	4-1/2"
63AVA08D10	12.1	880	10	34160	32079	29987	27962	26123	24039	19738	16474	13840	9607	4691			
63AVA08D13	18.9	880	13	44015	41961	39861	37629	35180	32361	29277	26253	22998	16245	11898	6475	2366	
63AVA08D16	27.7	880	16	53515	51483	49389	47156	44670	41784	38478	35194	31971	23276	17562	12660	6932	2642
63AVA08D19	38.1	880	19	63626	61223	58781	56254	53594	50749	47638	44340	40966	30769	22134	16967	10549	5067
63AVA08D22	49.7	880	22	72448	70251	67991	65587	62920	59908	56537	52868	49088	39825	27245	21960	15798	8719
63AVA08D25	57.6	880	25	81192	78774	76327	73819	71210	68426	65336	61732	57618	48696				
63AVA08D28	62.5	880	28	90936	88477	85977	83390	80635	77657	74395	70789	66767	57175				
63AVA08D31	61.5	880	31	98450	96004	93514	90930	88177	85166	81795	77856	73238	63568				
63AVA08D34	62.9	880	34	106365	103878	101338	98656	95739	92416	88565	84207	79602	71181				
63AVA08D37	64.5	880	37	115772	113175	110511	107670	104511	100754	96354							

Catalog Number	Max. BHP	Motor RPM	Blade Pitch Angle°	CFM at Static Pressure													
				0"	1/2"	1"	1-1/2"	2"	2-1/2"	3"	3-1/2"	4"	4-1/2"	5"	6"	7"	8"
63AVA11D10	28.6	1180	10	45806	42701	39582	36642	33889	29314	23402	19241	15980	12849	9247	2733		
63AVA11D13	44.7	1180	13	59020	55954	52789	49394	45535	41090	36503	31877	26188	21747	18467	11216	4127	
63AVA11D16	66.1	1180	16	71758	68724	65577	62155	58240	53577	48605	43802	38674	31145	26272	19294	10847	4075
63AVA11D19	77.0	1180	19	85316	81730	78071	74249	70185	65753	60904	55932	50179	41149	33247	24990	16391	
63AVA11D22	79.3	1180	22	97146	93867	90467	86782	82615	77854	72526	66909	61041	53301	40895			
63AVA11D25	80.8	1180	25	108871	105264	101603	97827	93845	89500	84438	78482						
63AVA11D28	81.5	1180	28	121936	118268	114519	110595										

Performance shown is for installation type D: ducted inlet, ducted outlet. Performance ratings do not include the effects of appurtenances in the airstream.



Prop Diameter - 70.5"
Drive Type - Direct
Maximum Frame - 449TC
Tip Speed (FPM) = 18.46 x RPM
Sound Data - Page 26
Approx. Shipping Wt.-Lbs. - 2020 (less motor)

71 AVAD

Catalog Number	Max. BHP	Motor RPM	Blade Pitch Angle°	CFM at Static Pressure												
				0"	1/4"	1/2"	3/4"	1"	1-1/4"	1-1/2"	1-3/4"	2"	2-1/2"	3"	3-1/2"	4"
71AVA06D10	11.4	690	10	43056	40439	37544	34112	30427	27004	23175	18715	15594	9838	4002		
71AVA06D13	18.5	690	13	53839	51167	48460	45649	42505	38657	34092	28840	23200	16960	9752	4102	
71AVA06D16	26.4	690	16	63548	60838	58006	54879	51290	47116	42652	38094	32620	21406	15224	7815	
71AVA06D19	33.7	690	19	74060	71184	68168	64795	61027	57201	52801	46498	41323	26310	19537	11418	4781
71AVA06D22	44.2	690	22	83265	80307	77270	74054	70518	66491	61710	56281	50085	30772	23287	15041	7112
71AVA06D25	52.2	690	25	93980	90700	87405	84078	80634	76791	71850	65502	59248				
71AVA06D28	62.9	690	28	103408	100169	96859	93391	89651	85516	80866	75388	68581				
71AVA06D31	67.3	690	31	112869	109503	106069	102492	98665	94473	89722	84123	77174				
71AVA06D34	74.1	690	34	121677	117873	114041	110150	106158	101930	97170	91390	84408				
71AVA06D37	82.3	690	37	131836	127962	123959	119655	114806	109448	104060	98634	92078				
71AVA06D40	78.0	690	40	140290	135859	131394	126862	122217	117327	111875	105498	98332				

Catalog Number	Max. BHP	Motor RPM	Blade Pitch Angle°	CFM at Static Pressure													
				0"	1/2"	1"	1-1/2"	2"	2-1/2"	3"	3-1/2"	4"	4-1/2"	5"	5-1/2"	6"	7"
71AVA08D10	24.9	880	10	54912	50779	45957	40247	34793	28718	22155	17906	13230	8500	4572			
71AVA08D13	40.1	880	13	68665	64469	60184	55532	49741	42547	33955	26675	22217	16981	11185	6726		
71AVA08D16	51.1	880	16	81046	76782	72207	66912	60548	53552	46250	34050	27910	23334	18057	12072	7084	
71AVA08D19	74.9	880	19	94453	89928	85046	79358	73351	66256	56846	42018	34150	29456	23315	16809	11219	
71AVA08D22	88.6	880	22	106193	101545	96700	91392	85261	77716	68975	57472	40219	34002	28296	21964	14764	4606
71AVA08D25	105	880	25	119859	114713	109532	104239	98386	90530	80453	70952						
71AVA08D28	124	880	28	131883	126792	121531	115859	109521	102168	93112	81765						
71AVA08D31	147	880	31	143949	138661	133211	127404	120940	113459	104189	92194						
71AVA08D34	162	880	34	155183	149213	143176	137001	130452	122926	113346	101635						
71AVA08D37	154	880	37	168139	162046	155636	148427	140154	131713	122947	109698						
71AVA08D40	159	880	40	178921	171968	164935	157735	150159	141573	131175	119152						

Catalog Number	Max. BHP	Motor RPM	Blade Pitch Angle°	CFM at Static Pressure													
				0"	1/2"	1"	2"	3"	4"	5"	6"	7"	8"	9"	10"	11"	12"
71AVA11D10	57.6	1180	10	73632	70595	67427	59980	51406	43323	33130	25761	19232	12085	6100			
71AVA11D13	98.2	1180	13	92073	88952	85811	79369	72085	62569	50865	38172	31042	23595	14926	8366		
71AVA11D16	135	1180	16	108676	105519	102297	95331	87027	76985	66443	52595	38799	31940	24128	15260	8183	
71AVA11D19	173	1180	19	126653	123304	119882	112417	103685	94584	80969	68347	47114	40178	31166	21553	13405	5953
71AVA11D22	219	1180	22	142395	138944	135454	128138	119935	110037	97801	83066	56273	46369	37855	28289	17768	10097
71AVA11D25	215	1180	25	160720	156886	153044	145302	137271	127677	113819	99210						
71AVA11D28	207	1180	28	176843	173060	169240	161312	152611	142627	130569	114652						
71AVA11D31	215	1180	31	193023	189091	185124	176939	168030	157893								

Performance shown is for installation type D: ducted inlet, ducted outlet. Performance ratings do not include the effects of appurtenances in the airstream.

79 AVAD Data

Prop Diameter - 78.38"

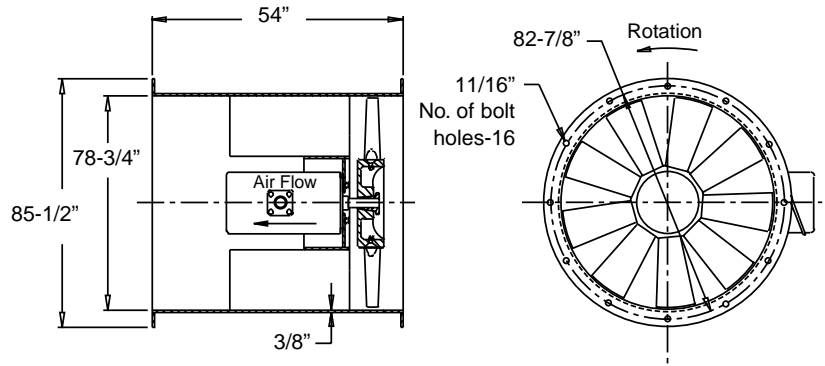
Drive Type - Direct

Maximum Frame - 449TC

Tip Speed (FPM) = 20.52 x RPM

Sound Data - Page 26

Approx. Shipping Wt.-Lbs. - 2215 (less motor)



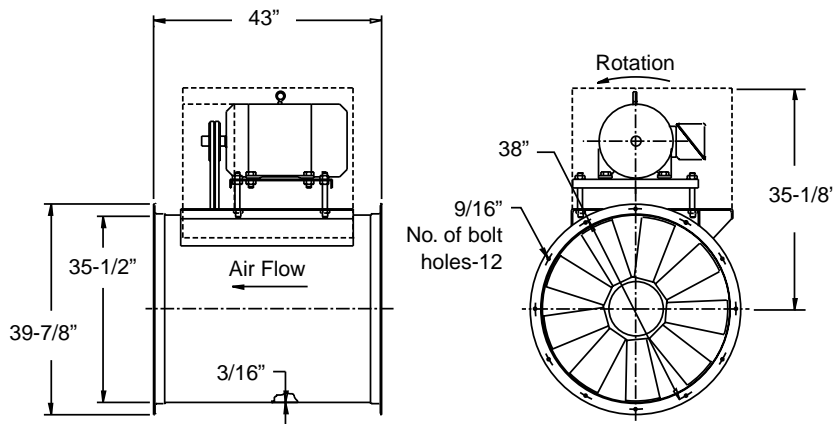
79 AVAD

Catalog Number	Max. BHP	Motor RPM	Blade Pitch Angle°	CFM at Static Pressure/BHP													
				0"	1/4"	1/2"	3/4"	1"	1-1/4"	1-1/2"	1-3/4"	2"	2-1/2"	3"	3-1/2"	4"	4-1/2"
79AVA06D10	17.2	690	10	52502	49183	45845	42645	39720	36075	29042	24156	20227	13425	5677			
79AVA06D13	28.7	690	13	67648	64371	61008	57431	53447	48860	43916	39120	33543	23602	16610	7868		
79AVA06D16	42.2	690	16	82249	79006	75658	72059	68025	63296	57965	52783	47594	33379	25413	17146	8404	
79AVA06D19	53.5	690	19	97789	93955	90054	86006	81727	77119	72078	66799	61272	43283	32150	23885	12852	5877
79AVA06D22	70.5	690	22	111348	107844	104232	100364	96032	91142	85651	79718	73657	56631	39906	31493	20793	10737
79AVA06D25	81.9	690	25	124787	120930	117023	113011	108821	104315	99230	93264	86545	71982				
79AVA06D28	94.8	690	28	139762	135840	131844	127692	123261	118434	113131	107227	100600	84724				
79AVA06D31	107	690	31	151312	147409	143429	139284	134847	129971	124427	117870	110293	94624				
79AVA06D34	119	690	34	163476	159507	155447	151144	146403	140958	134649	127556	120232	106736				
79AVA06D37	132	690	37	177935	173791	169535	164962	159801	153626	146473	139123	132015	117218				
79AVA06D40	137	690	40	190143	185740	181236	176481	171291	165269	158301	150728	142844					

Catalog Number	Max. BHP	Motor RPM	Blade Pitch Angle°	CFM at Static Pressure/BHP													
				0"	1/2"	1"	1-1/2"	2"	2-1/2"	3"	3-1/2"	4"	4-1/2"	5"	6"	7"	8"
79AVA08D10	36.0	880	10	66959	61750	56548	51817	46521	36025	28761	23221	17899	11688	6053			
79AVA08D13	56.3	880	13	86276	81130	75760	69830	62815	55089	47453	38039	30858	25511	19623	6911		
79AVA08D16	84.5	880	16	104897	99800	94440	88434	81252	72932	64850	56279	43797	36711	31013	17321	5691	
79AVA08D19	119	880	19	124716	118697	112514	105964	98856	90933	82621	73026	57339	46285	39446	25794	10424	
79AVA08D22	144	880	22	142010	136496	130722	124267	116778	108135	98766	88944	75078	56724	49306	35515	17867	6661
79AVA08D25	154	880	25	159148	153092	146917	140481	133535	125515	115791	104948	93495					
79AVA08D28	161	880	28	178247	172089	165751	159004	151575	143226	133678	122641	109864					
79AVA08D31	161	880	31	192978	186848	180531	173784	166296	157543	146784	134709	122467					
79AVA08D34	162	880	34	208491	202258	195778	188702	180389									

Catalog Number	Max. BHP	Motor RPM	Blade Pitch Angle°	CFM at Static Pressure/BHP													
				0"	1"	2"	3"	4"	5"	6"	7"	8"	9"	10"	11"	12"	13"
79AVA11D10	89.7	1180	10	89786	82014	74324	67406	55815	42557	33396	25621	16548	8049				
79AVA11D13	146	1180	13	115688	107999	99875	90645	79589	68237	55132	43108	34925	26217	15623	7902		
79AVA11D16	209	1180	16	140657	133039	124918	115566	103991	91679	79468	62047	50029	41499	31842	20952	11964	4580
79AVA11D19	206	1180	19	167233	158243	148941	138978	127930	115694	102610	82117	63158	52800				
79AVA11D22	218	1180	22	190422	182185	173436	163415	151554	137991	123762	105808						
79AVA11D25	218	1180	25	213403	204363	195104	185337										

Performance shown is for installation type D: ducted inlet, ducted outlet. Performance ratings do not include the effects of appurtenances in the airstream.



Prop Diameter - 35.25"
Drive Type - Belt
Maximum Frame - 365T
Tip Speed (FPM) = 9.23 x RPM
Sound Data - Page 27
Approx. Shipping Wt.-Lbs. - 820 (less motor)

35 AVAB

CFM	OV	1" SP			1-1/2" SP			2" SP			2-1/2" SP			3" SP		
		RPM	BLD°	BHP	RPM	BLD°	BHP	RPM	BLD°	BHP	RPM	BLD°	BHP	RPM	BLD°	BHP
400	58	781	10	0.77	790	22	2.43									
2200	320	840	13	1.17	1083	10	1.91	1230	10	2.82	1358	10	3.82	1474	10	4.91
4000	581	958	13	1.56	1227	10	2.55	1363	10	3.58	1482	10	4.70	1592	10	5.91
5800	843	1046	13	1.94	1220	13	3.16	1363	13	4.47	1483	13	5.87	1588	13	7.33
7600	1105	1047	16	2.40	1307	13	3.75	1450	13	5.23	1580	13	6.84	1696	13	8.54
9400	1367	1052	19	2.97	1196	19	4.52	1421	16	6.13	1666	13	7.82	1780	13	9.66
11200	1629	1051	22	3.50	1192	22	5.32	1503	16	7.02	1617	16	8.95	1728	16	11.1
13000	1891	1052	25	4.25	1257	22	6.06	1378	22	8.22	1707	16	10.2	1805	16	12.3
14800	2153	1125	25	5.04	1334	22	7.02	1444	22	9.23	1549	22	11.6	1751	19	14.0
16600	2415	1136	28	6.06	1415	22	8.16	1519	22	10.4	1616	22	12.9	1710	22	15.6
18400	2676	1138	31	7.10	1389	25	9.45	1488	25	12.0	1692	22	14.4	1779	22	17.2
20200	2938	1205	31	8.29	1387	28	11.0	1560	25	13.6	1771	22	16.2	1855	22	19.0
22000	3200	1274	31	9.65	1375	31	12.6	1637	25	15.3	1721	25	18.3	1934	22	21.1
23800	3462	1346	31	11.2	1440	31	14.2	1718	25	17.4	1795	25	20.4	1873	25	23.7
25600	3724	1420	31	13.0	1508	31	16.1	1595	31	19.6	1875	25	22.8	1947	25	26.1
27400	3986	1496	31	14.9	1578	31	18.3	1660	31	21.8	1739	31	25.6	1916	28	29.4
29200	4248	1576	31	17.2	1650	31	20.6	1728	31	24.4	1804	31	28.3	2106	25	32.0
31000	4510	1572	34	20.2	1724	31	23.3	1797	31	27.1	1870	31	31.1	1940	31	35.4
32800	4771	1552	37	23.2	1801	31	26.2	1869	31	30.2	1937	31	34.3	2133	28	39.0
34600	5033	1817	31	25.5	1879	31	29.4	1942	31	33.5	2152	28	38.7	2072	31	42.2
36400	5295	1691	37	29.6	1957	31	32.8	1830	37	39.2	2078	31	41.5	2140	31	46.1
38200	5557	1762	37	33.3	1827	37	38.1	2093	31	41.0	2151	31	45.6	2210	31	50.3
40000	5819	1949	34	37.0	2119	31	40.9	2172	31	45.4	2225	31	50.0	2282	31	54.9

CFM	OV	4" SP			5" SP			6" SP			7" SP			8" SP		
		RPM	BLD°	BHP	RPM	BLD°	BHP	RPM	BLD°	BHP	RPM	BLD°	BHP	RPM	BLD°	BHP
2200	320	1676	10	7.28	1710	13	10.8	2013	10	12.8	2161	10	15.9	2297	10	19.1
4000	581	1793	10	8.59	1976	10	11.6	2141	10	14.8	2293	10	18.3	2244	13	23.5
5800	843	1941	10	10.3	2109	10	13.5	2263	10	16.9	2407	10	20.6	2352	13	25.9
7600	1105	2082	10	12.2	2058	13	15.9	2204	13	19.9	2338	13	24.2	2341	16	32.1
9400	1367	1988	13	13.7	2168	13	17.9	2324	13	22.4	2334	16	29.6	2326	19	38.1
11200	1629	2072	13	15.2	2255	13	19.8	2294	16	26.6	2321	19	35.2	2332	22	45.1
13000	1891	2169	13	17.0	2341	13	21.8	2356	16	28.4	2308	22	41.2			
14800	2153	2074	16	18.7	2244	16	24.1	2313	19	32.6	2385	22	44.1			
16600	2415	2167	16	20.8	2322	16	26.3	2336	19	33.7						
18400	2676	1949	22	23.3	2230	19	29.1	2378	19	35.5						
20200	2938	2013	22	25.2	2168	22	32.1	2331	22	39.8						
22000	3200	2086	22	27.5	2228	22	34.4	2372	22	42.0						
23800	3462	2163	22	30.0	2298	22	37.0									
25600	3724	2089	25	33.4	2374	22	40.1	2359	25	50.0						
27400	3986	2159	25	36.3	2289	25	44.4	2299	28	54.8						
29200	4248	2233	25	39.6	2358	25	47.8	2356	28	58.4						
31000	4510	2310	25	43.1	2309	28	53.0	2291	31	63.2	2404	31	73.8			
32800	4771	2133	31	47.8	2376	28	57.0	2352	31	67.4						
34600	5033	2197	31	51.7	2312	31	61.7	2348	34	78.0						
36400	5295	2262	31	55.9	2376	31	66.2	2401	34	82.3						
38200	5557	2328	31	60.4	2352	34	74.8									
40000	5819	2395	31	65.2												

Performance shown is for installation type D: ducted inlet, ducted outlet. Power rating (BHP) includes drive losses. Performance ratings do not include the effects of appurtenances in the airstream. BLD° - Blade Pitch. Performance shown is based on Blade Pitch with highest static efficiency.

39 AVAB Data

Prop Diameter - 39.125"

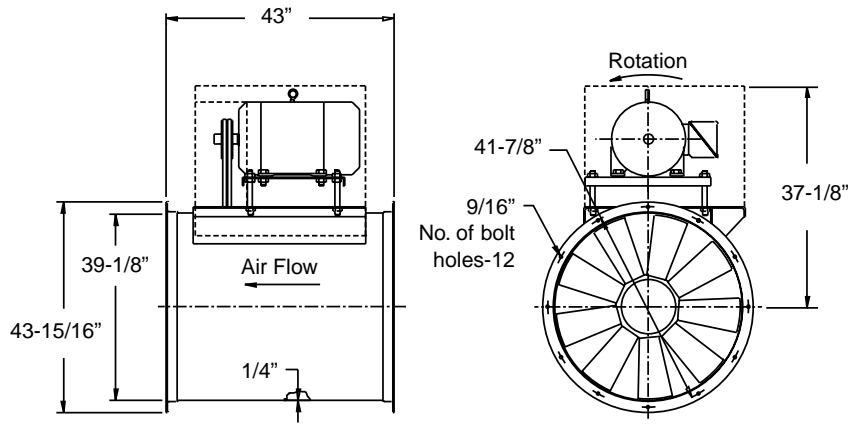
Drive Type - Belt

Maximum Frame - 365T

Tip Speed (FPM) = 10.24 x RPM

Sound Data - Page 27

Approx. Shipping Wt.-Lbs. - 940 (less motor)

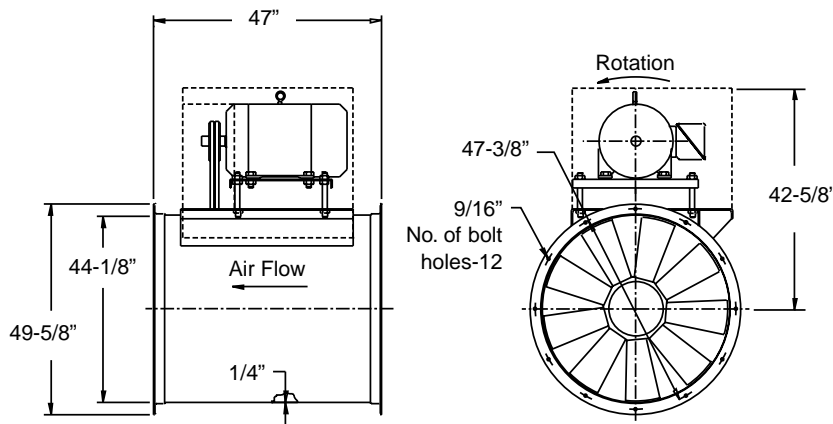


39 AVAB

CFM	OV	1" SP			1-1/2" SP			2" SP			2-1/2" SP			3" SP		
		RPM	BLD°	BHP	RPM	BLD°	BHP	RPM	BLD°	BHP	RPM	BLD°	BHP	RPM	BLD°	BHP
400	47	768	10	0.89	782	19	2.49									
2600	307	898	10	1.31	1070	10	2.25	1107	13	3.40	1224	13	4.63	1458	10	5.80
4800	567	943	13	1.80	1094	13	2.93	1221	13	4.20	1462	10	5.54	1436	13	7.08
7000	827	952	16	2.27	1214	13	3.69	1345	13	5.18	1458	13	6.76	1559	13	8.43
9200	1087	1040	16	2.80	1316	13	4.45	1321	16	6.15	1575	13	8.03	1680	13	9.93
11400	1348	1030	19	3.43	1279	16	5.20	1403	16	7.07	1517	16	9.13	1623	16	11.4
13600	1608	1024	22	4.17	1249	19	6.16	1496	16	8.26	1603	16	10.4	1704	16	12.7
15800	1868	1098	22	4.89	1332	19	7.16	1445	19	9.52	1554	19	12.1	1795	16	14.4
18000	2128	1176	22	5.70	1299	22	8.32	1408	22	11.0	1628	19	13.6	1724	19	16.4
20200	2388	1264	22	6.78	1374	22	9.42	1481	22	12.4	1711	19	15.2	1801	19	18.2
22400	2649	1357	22	8.11	1454	22	10.7	1554	22	13.9	1649	22	17.2	1885	19	20.3
24600	2909	1141	31	9.84	1542	22	12.3	1631	22	15.4	1723	22	19.0	1809	22	22.7
26800	3169	1287	28	11.2	1635	22	14.3	1715	22	17.3	1798	22	20.9	1882	22	24.8
29000	3429	1361	28	12.9	1455	28	16.6	1805	22	19.7	1880	22	23.1	1957	22	27.0
31200	3689	1343	31	15.2	1524	28	18.8	1899	22	22.3	1967	22	25.8	2038	22	29.6
33400	3949	1519	28	17.3	1595	28	21.1	1678	28	25.5	2059	22	28.9	2124	22	32.7
35600	4210	1393	34	20.0	1670	28	23.8	1747	28	28.4	2154	22	32.4	2031	25	37.3
37800	4470	1460	34	22.8	1747	28	26.8	1702	31	32.1	1772	31	37.1	1959	28	41.5
40000	4730	1368	40	26.0	1828	28	30.3	1891	28	34.9	1959	28	39.9	2026	28	45.2
42200	4990	1427	40	29.3	1908	28	33.9	1967	28	38.7	1901	31	44.8	2095	28	49.3
44400	5250	1488	40	33.0	1554	40	38.7	2044	28	42.8	2103	28	48.1	2164	28	53.7
46600	5510	1548	40	37.0	1611	40	42.8	1861	34	48.4	2036	31	53.8	2094	31	59.7
48800	5771	1610	40	41.4	1671	40	47.4	1730	40	53.9	1987	34	59.6	2160	31	64.9

CFM	OV	4" SP			5" SP			6" SP			7" SP			8" SP		
		RPM	BLD°	BHP	RPM	BLD°	BHP	RPM	BLD°	BHP	RPM	BLD°	BHP	RPM	BLD°	BHP
2600	307	1659	10	8.59	1835	10	11.7	1994	10	15.0	2140	10	18.6	2096	13	24.1
4800	567	1619	13	10.4	1956	10	13.7	1930	13	17.9	2068	13	22.2	2055	16	30.1
7000	827	1739	13	12.1	1898	13	16.0	2042	13	20.3	2024	16	27.2	2143	16	32.6
9200	1087	1863	13	14.0	2022	13	18.3	2165	13	22.9	2128	16	29.9	2139	19	40.5
11400	1348	1980	13	16.0	2144	13	20.8	2115	16	27.3	2112	19	36.7	2104	22	47.4
13600	1608	1889	16	17.8	2057	16	23.6	2073	19	32.6	2081	22	42.7			
15800	1868	1972	16	19.7	2134	16	25.5	2152	19	35.1	2165	22	45.8			
18000	2128	2062	16	22.0	2075	19	29.7	2120	22	40.4						
20200	2388	1972	19	24.7	2135	19	31.8									
22400	2649	2046	19	27.0	2069	22	35.7									
24600	2909	2128	19	29.6	2112	22	37.7									
26800	3169	2035	22	32.8												
29000	3429	2109	22	35.8	2101	25	46.2									
31200	3689	2020	25	39.6	2153	25	49.2									
33400	3949	2088	25	42.9												
35600	4210	2158	25	46.6	2132	28	57.7									
37800	4470	2080	28	51.6	2094	31	65.5									
40000	4730	2148	28	56.0	2146	31	69.8									
42200	4990	2086	31	62.1	2108	34	79.2									
44400	5250	2146	31	66.9												
46600	5510	1909	40	77.0												
48800	5771	1955	40	82.4												

Performance shown is for installation type D: ducted inlet, ducted outlet. Power rating (BHP) includes drive losses. Performance ratings do not include the effects of appurtenances in the airstream. BLD° - Blade Pitch. Performance shown is based on Blade Pitch with highest static efficiency.



Prop Diameter - 43.88"
Drive Type - Belt
Maximum Frame - 405T
Tip Speed (FPM) = 11.49 x RPM
Sound Data - Page 27
Approx. Shipping Wt.-Lbs. - 1440 (less motor)

44 AVAB

CFM	OV	1" SP			1-1/2" SP			2" SP			2-1/2" SP			3" SP		
		RPM	BLD°	BHP	RPM	BLD°	BHP	RPM	BLD°	BHP	RPM	BLD°	BHP	RPM	BLD°	BHP
600	56	580	13	1.36												
3300	310	728	10	1.70	867	10	2.93	985	10	4.33	1088	10	5.88	1180	10	7.54
6000	565	764	13	2.37	890	13	3.90	1087	10	5.45	1183	10	7.17	1272	10	9.04
8700	819	833	13	2.94	973	13	4.79	1087	13	6.80	1183	13	8.94	1392	10	11.1
11400	1073	832	16	3.61	1040	13	5.67	1156	13	7.93	1261	13	10.4	1353	13	13.0
14100	1327	781	22	4.47	1022	16	6.68	1228	13	9.21	1327	13	11.9	1420	13	14.7
16800	1582	833	22	5.24	1009	19	7.93	1109	19	10.7	1287	16	13.50	1490	13	16.5
19500	1836	893	22	6.22	997	22	9.10	1098	22	12.4	1354	16	15.3	1435	16	18.6
22200	2090	888	25	7.46	1056	22	10.5	1145	22	13.8	1233	22	17.6	1506	16	20.8
24900	2344	948	25	8.81	1040	25	12.2	1203	22	15.6	1282	22	19.4	1360	22	23.6
27600	2599	898	31	10.5	1097	25	14.0	1264	22	17.6	1339	22	21.5	1411	22	25.8
30300	2853	949	31	12.2	1157	25	16.1	1233	25	20.1	1400	22	24.1	1469	22	28.4
33000	3107	1002	31	14.1	1149	28	18.5	1291	25	22.6	1464	22	27.0	1530	22	31.5
35700	3361	1057	31	16.3	1135	31	20.9	1353	25	25.5	1417	25	30.2	1592	22	34.8
38400	3616	1114	31	18.8	1187	31	23.6	1417	25	28.7	1399	28	34.2	1537	25	38.7
41100	3870	1173	31	21.6	1241	31	26.7	1308	31	32.1	1540	25	37.3	1596	25	42.6
43800	4124	1233	31	24.8	1296	31	30.0	1360	31	35.6	1422	31	41.6	1481	31	47.8
46500	4378	1231	34	29.1	1353	31	33.8	1413	31	39.5	1473	31	45.7	1531	31	52.2
49200	4633	1357	31	32.2	1412	31	37.9	1468	31	43.9	1525	31	50.2	1581	31	56.9
51900	4887	1420	31	36.5	1471	31	42.4	1524	31	48.6	1579	31	55.2	1632	31	61.9
54600	5141	1323	37	42.5	1532	31	47.4	1582	31	53.8	1633	31	60.5	1685	31	67.6
57300	5395	1464	34	47.4	1593	31	52.7	1567	34	61.5	1689	31	66.3	1738	31	73.5
60000	5650	1613	31	52.0	1484	37	60.8	1700	31	65.4	1746	31	72.6	1793	31	80.0
62700	5904	1677	31	58.0	1536	37	67.0	1762	31	72.1	1804	31	79.3	1848	31	86.9

CFM	OV	4" SP			5" SP			6" SP			7" SP			8" SP		
		RPM	BLD°	BHP	RPM	BLD°	BHP	RPM	BLD°	BHP	RPM	BLD°	BHP	RPM	BLD°	BHP
3300	310	1343	10	11.2	1486	10	15.3	1490	13	21.7	1732	10	24.4	1842	10	29.4
6000	565	1435	10	13.2	1582	10	17.8	1715	10	22.8	1837	10	28.2	1798	13	36.3
8700	819	1547	10	15.6	1682	10	20.5	1807	10	25.8	1925	10	31.5	1882	13	39.8
11400	1073	1509	13	18.4	1641	13	24.2	1758	13	30.4	1866	13	36.9	1870	16	49.1
14100	1327	1587	13	20.8	1729	13	27.3	1853	13	34.1	1861	16	45.2	1855	19	58.1
16800	1582	1652	13	23.0	1799	13	30.1	1931	13	37.6	1849	19	53.7	1859	22	68.7
19500	1836	1594	16	26.0	1865	13	33.0	1883	16	43.3	1928	19	58.3	1932	22	74.1
22200	2090	1650	16	28.3	1790	16	36.7	1925	16	46.0	1902	22	67.3			
24900	2344	1719	16	31.2	1846	16	39.6	1871	19	51.6						
27600	2599	1798	16	34.7	1915	16	43.3	1898	19	54.0						
30300	2853	1598	22	37.9	1729	22	48.6	1865	22	60.7						
33000	3107	1653	22	41.1	1771	22	51.8	1892	22	63.7						
35700	3361	1712	22	44.8	1823	22	55.6	1932	22	67.4						
38400	3616	1773	22	48.9	1880	22	59.9									
41100	3870	1836	22	53.4	1814	25	66.4	1917	25	79.7						
43800	4124	1763	25	58.6	1866	25	71.2	1869	28	87.6						
46500	4378	1822	25	63.7	1920	25	76.5	1916	28	93.2						
49200	4633	1883	25	69.3	1777	31	85.4	1862	31	101						
51900	4887	1734	31	76.3	1827	31	91.6	1910	31	107						
54600	5141	1784	31	82.3	1876	31	98.0									
57300	5395	1835	31	88.7	1926	31	105									
60000	5650	1886	31	95.6												
62700	5904	1864	34	108												

Performance shown is for installation type D: ducted inlet, ducted outlet. Power rating (BHP) includes drive losses. Performance ratings do not include the effects of appurtenances in the airstream. BLD° - Blade Pitch. Performance shown is based on Blade Pitch with highest static efficiency.

49 AVAB Data

Prop Diameter - 49"

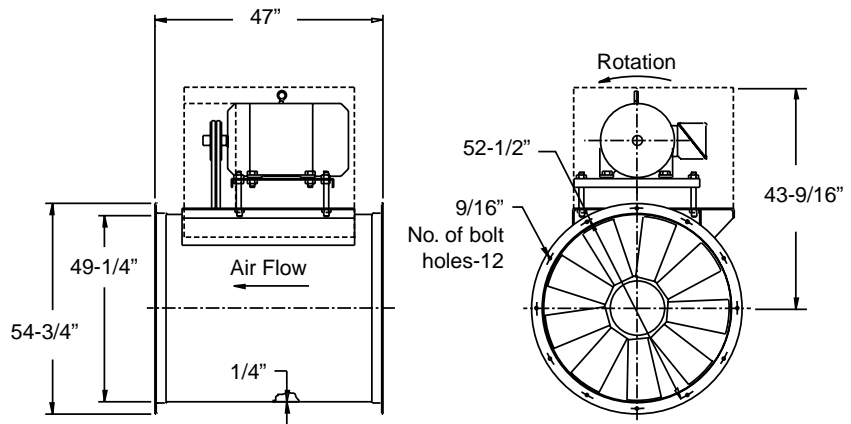
Drive Type - Belt

Maximum Frame - 405T

Tip Speed (FPM) = 12.83 x RPM

Sound Data - Page 27

Approx. Shipping Wt.-Lbs. - 1520 (less motor)

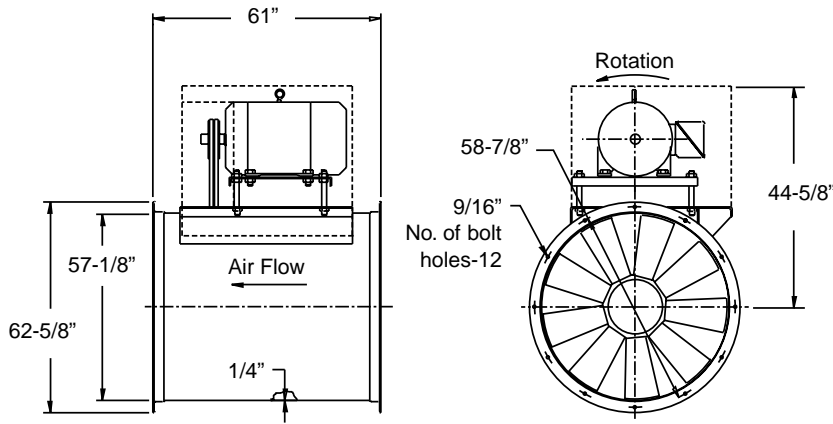


49 AVAB

CFM	OV	1" SP			1-1/2" SP			2" SP			2-1/2" SP			3" SP		
		RPM	BLD°	BHP	RPM	BLD°	BHP	RPM	BLD°	BHP	RPM	BLD°	BHP	RPM	BLD°	BHP
600	45	566	13	1.55	601	22	4.42									
3900	294	712	10	2.01	850	10	3.48	880	13	5.28	974	13	7.20	1159	10	8.99
7200	544	744	13	2.74	864	13	4.49	966	13	6.46	1157	10	8.50	1138	13	10.9
10500	793	752	16	3.47	957	13	5.62	1061	13	7.90	1151	13	10.3	1232	13	12.9
13800	1043	817	16	4.22	938	16	6.65	1044	16	9.44	1242	13	12.2	1325	13	15.2
17100	1292	809	19	5.17	1004	16	7.82	1105	16	10.7	1197	16	13.9	1283	16	17.5
20400	1542	872	19	6.17	981	19	9.27	1174	16	12.4	1261	16	15.7	1343	16	19.3
23700	1791	858	22	7.31	1042	19	10.7	1135	19	14.3	1332	16	18.0	1410	16	21.7
27000	2040	916	22	8.44	1109	19	12.3	1196	19	16.3	1278	19	20.4	1357	19	24.8
30300	2290	980	22	9.89	1073	22	14.1	1159	22	18.6	1339	19	22.8	1413	19	27.4
33600	2539	1050	22	11.7	1132	22	15.8	1215	22	20.7	1405	19	25.4	1475	19	30.4
36900	2789	945	28	14.1	1196	22	18.0	1272	22	22.9	1347	22	28.4	1416	22	33.9
40200	3038	998	28	16.2	1265	22	20.7	1333	22	25.5	1403	22	31.1	1472	22	37.2
43500	3288	1053	28	18.6	1131	28	24.4	1399	22	28.6	1463	22	34.1	1528	22	40.4
46800	3537	1111	28	21.5	1183	28	27.4	1469	22	32.3	1527	22	37.7	1587	22	43.9
50100	3787	1028	34	25.2	1236	28	30.7	1542	22	36.5	1596	22	42.1	1650	22	48.0
53400	4036	1076	34	28.6	1292	28	34.4	1356	28	41.3	1667	22	46.9	1716	22	52.7
56700	4285	1011	40	32.8	1349	28	38.5	1408	28	45.5	1468	28	53.1	1523	28	60.8
60000	4535	1055	40	37.0	1315	31	44.1	1463	28	50.3	1520	28	58.1	1696	25	65.7
63300	4784	1229	34	41.3	1287	34	49.3	1421	31	56.7	1573	28	63.5	1627	28	72.0
66600	5034	1146	40	46.7	1532	28	54.0	1578	28	61.4	1628	28	69.5	1679	28	78.1
69900	5283	1192	40	52.3	1244	40	61.1	1637	28	67.6	1684	28	75.9	1732	28	84.6
73200	5533	1237	40	58.1	1288	40	67.3	1487	34	76.0	1628	31	84.7	1674	31	93.9
76500	5782	1285	40	64.8	1333	40	74.2	1381	40	84.4	1586	34	93.3	1724	31	102

CFM	OV	4" SP			5" SP			6" SP			7" SP			8" SP		
		RPM	BLD°	BHP	RPM	BLD°	BHP	RPM	BLD°	BHP	RPM	BLD°	BHP	RPM	BLD°	BHP
3900	294	1320	10	13.3	1460	10	18.1	1587	10	23.3	1703	10	28.9	1669	13	37.6
7200	544	1285	13	16.0	1415	13	21.7	1534	13	27.8	1644	13	34.4	1636	16	47.0
10500	793	1375	13	18.5	1502	13	24.6	1618	13	31.3	1725	13	38.3	1701	16	50.6
13800	1043	1470	13	21.4	1597	13	28.1	1711	13	35.2	1684	16	46.1	1696	19	62.7
17100	1292	1561	13	24.4	1691	13	31.8	1670	16	41.9	1671	19	56.5	1665	22	73.2
20400	1542	1492	16	27.3	1627	16	36.2	1638	19	50.1	1644	22	65.7	1730	22	78.2
23700	1791	1553	16	29.9	1684	16	38.9	1700	19	53.9	1708	22	70.2			
27000	2040	1620	16	33.1	1639	19	45.5	1673	22	61.9						
30300	2290	1553	19	37.3	1686	19	48.5	1724	22	65.9						
33600	2539	1607	19	40.7	1639	22	54.9									
36900	2789	1667	19	44.4	1669	22	57.6									
40200	3038	1731	19	48.5	1708	22	61.2									
43500	3288	1650	22	53.4												
46800	3537	1706	22	57.7	1693	25	74.2									
50100	3787	1631	25	63.8												
53400	4036	1683	25	68.9	1671	28	85.9									
56700	4285	1621	28	76.1	1715	28	92.2									
60000	4535	1672	28	82.3	1680	31	104									
63300	4784	1724	28	89.0												
66600	5034	1671	31	98.1												
69900	5283	1717	31	105												

Performance shown is for installation type D: ducted inlet, ducted outlet. Power rating (BHP) includes drive losses. Performance ratings do not include the effects of appurtenances in the airstream. BLD° - Blade Pitch. Performance shown is based on Blade Pitch with highest static efficiency.



Prop Diameter - 56.75"
 Drive Type - Belt
 Maximum Frame - 445T
 Tip Speed (FPM) = 14.86 x RPM
 Sound Data - Page 28
 Approx. Shipping Wt.-Lbs. - 2150 (less motor)

57 AVAB

CFM	OV	1" SP			1-1/2" SP			2" SP			2-1/2" SP			3" SP		
		RPM	BLD°	BHP	RPM	BLD°	BHP	RPM	BLD°	BHP	RPM	BLD°	BHP	RPM	BLD°	BHP
1000	56	485	10	2.00												
5400	307	561	10	2.83	669	10	4.88	760	10	7.22	839	10	9.77	911	10	12.6
9800	557	587	13	3.91	751	10	6.37	835	10	8.98	910	10	11.9	979	10	15.0
14200	808	640	13	4.84	748	13	7.90	836	13	11.2	999	10	14.7	973	13	18.4
18600	1058	638	16	5.92	798	13	9.31	889	13	13.1	969	13	17.2	1040	13	21.4
23000	1309	600	22	7.35	784	16	11.0	871	16	15.3	954	16	20.3	1091	13	24.2
27400	1559	637	22	8.54	839	16	12.9	915	16	17.3	989	16	22.3	1143	13	27.2
31800	1810	682	22	10.1	763	22	14.9	894	19	20.0	962	19	25.4	1101	16	30.5
36200	2060	677	25	12.0	807	22	17.0	877	22	22.6	947	22	28.9	1153	16	34.1
40600	2311	684	28	14.5	795	25	19.9	919	22	25.3	981	22	31.6	1212	16	38.3
45000	2561	684	31	16.8	836	25	22.6	965	22	28.6	1024	22	35.1	1080	22	42.1
49400	2812	722	31	19.5	881	25	25.8	1012	22	32.3	1069	22	39.0	1122	22	46.2
53800	3062	762	31	22.5	928	25	29.5	984	25	36.5	1038	25	44.0	1168	22	51.0
58200	3313	803	31	26.0	864	31	33.6	1029	25	40.9	1080	25	48.7	1131	25	57.1
62600	3563	845	31	29.9	903	31	37.8	958	31	46.4	1125	25	54.0	1172	25	62.5
67000	3814	889	31	34.3	943	31	42.6	996	31	51.5	1046	31	61.0	1216	25	68.6
71400	4064	934	31	39.2	984	31	47.8	1035	31	57.1	1220	25	66.5	1262	25	75.5
75800	4315	980	31	44.7	1026	31	53.6	1074	31	63.1	1122	31	73.4	1310	25	83.1
80200	4565	975	34	52.1	1023	34	62.3	1115	31	69.9	1160	31	80.3	1204	31	91.3
84600	4816	1074	31	57.5	1115	31	67.2	1157	31	77.4	1200	31	88.1	1242	31	99.3
89000	5066	1121	31	64.7	1160	31	74.9	1200	31	85.5	1241	31	96.6	1281	31	108
93400	5317	1170	31	72.9	1206	31	83.2	1243	31	94.0	1282	31	106	1321	31	117
97800	5567	1038	40	85.5	1124	37	96.0	1288	31	104	1325	31	115	1362	31	128
102200	5818	1125	37	93.3	1300	31	102	1333	31	114	1368	31	126	1404	31	138

CFM	OV	4" SP			5" SP			6" SP			7" SP			8" SP		
		RPM	BLD°	BHP	RPM	BLD°	BHP	RPM	BLD°	BHP	RPM	BLD°	BHP	RPM	BLD°	BHP
5400	307	1036	10	18.6	1146	10	25.4	1245	10	32.7	1337	10	40.7	1422	10	49.1
9800	557	1106	10	21.9	1220	10	29.6	1323	10	38.0	1417	10	46.9	1386	13	60.3
14200	808	1188	10	25.8	1293	10	33.9	1390	10	42.7	1482	10	52.2	1450	13	66.1
18600	1058	1160	13	30.5	1261	13	40.	1481	10	49.3	1435	13	61.1	1439	16	81.5
23000	1309	1220	13	34.3	1329	13	45.	1424	13	56.2	1430	16	74.7	1426	19	96.2
27400	1559	1269	13	37.9	1383	13	49.7	1484	13	62.0	1493	16	81.3	1489	19	104
31800	1810	1322	13	42.0	1432	13	54.3	1450	16	71.8	1480	19	96.1	1484	22	122
36200	2060	1265	16	46.4	1376	16	60.5	1481	16	75.9	1461	22	111			
40600	2311	1316	16	51.0	1416	16	65.0	1443	19	85.6						
45000	2561	1264	19	56.6	1466	16	70.7	1461	19	89.1						
49400	2812	1225	22	62.1	1403	19	77.7	1491	19	94.4						
53800	3062	1264	22	67.0	1358	22	84.9	1455	22	105						
58200	3313	1308	22	72.8	1395	22	90.7	1482	22	111						
62600	3563	1353	22	79.1	1437	22	97.5									
67000	3814	1304	25	87.6	1482	22	105	1470	25	131						
71400	4064	1345	25	94.7	1426	25	116	1431	28	143						
75800	4315	1388	25	103	1466	25	124	1465	28	152						
80200	4565	1433	25	111	1434	28	137	1423	31	164	1493	31	191			
84600	4816	1480	25	121	1473	28	147	1458	31	174						
89000	5066	1359	31	132	1431	31	158	1495	31	185						
93400	5317	1397	31	142	1468	31	169	1485	34	211						
97800	5567	1435	31	153	1452	34	191									
102200	5818	1474	31	165	1487	34	203									

Performance shown is for installation type D: ducted inlet, ducted outlet. Power rating (BHP) includes drive losses. Performance ratings do not include the effects of appurtenances in the airstream. BLD° - Blade Pitch. Performance shown is based on Blade Pitch with highest static efficiency.

63 AVAB Data

Prop Diameter -62.63"

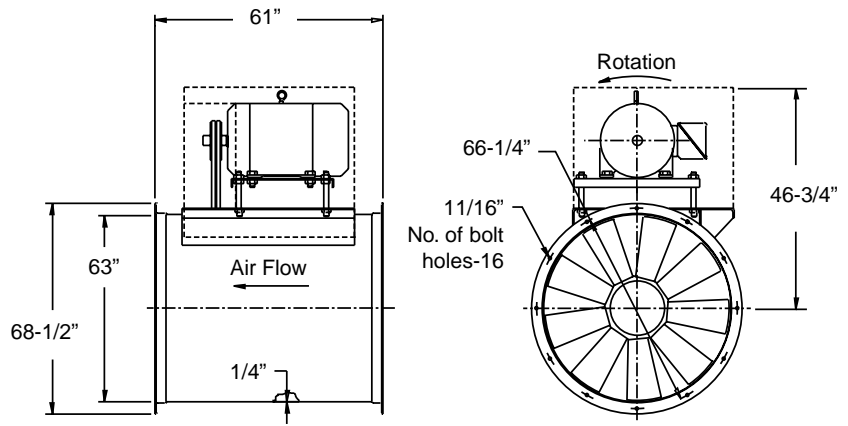
Drive Type - Belt

Maximum Frame - 445T

Tip Speed (FPM) = 16.40 x RPM

Sound Data - Page 28

Approx. Shipping Wt.-Lbs. - 2400 (less motor)

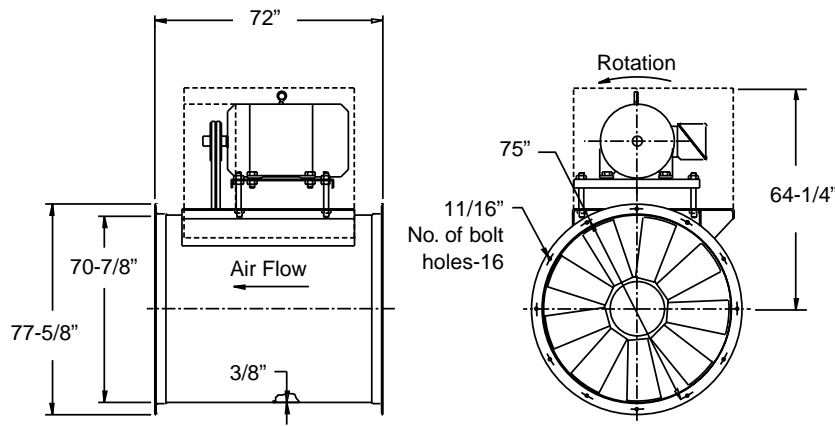


63 AVAB

CFM	OV	1" SP			1-1/2" SP			2" SP			2-1/2" SP			3" SP		
		RPM	BLD°	BHP	RPM	BLD°	BHP	RPM	BLD°	BHP	RPM	BLD°	BHP	RPM	BLD°	BHP
1000	46	480	10	2.28	470	22	7.20									
6400	295	558	10	3.30	606	13	5.81	689	13	8.63	763	13	11.8	908	10	14.7
11800	545	582	13	4.47	747	10	7.54	756	13	10.5	906	10	13.9	891	13	17.9
17200	794	588	16	5.66	749	13	9.18	831	13	12.9	901	13	16.9	964	13	21.1
22600	1044	640	16	6.92	734	16	10.9	898	13	15.4	972	13	20.0	1038	13	24.8
28000	1293	633	19	8.44	787	16	12.8	865	16	17.5	937	16	22.8	1004	16	28.5
33400	1542	628	22	10.2	768	19	15.2	919	16	20.3	988	16	25.8	1051	16	31.6
38800	1792	737	19	12.0	816	19	17.5	889	19	23.5	1043	16	29.4	1104	16	35.6
44200	2041	718	22	13.9	796	22	20.4	937	19	26.6	1001	19	33.4	1063	19	40.7
49600	2291	768	22	16.2	840	22	23.0	908	22	30.4	1049	19	37.3	1106	19	44.8
55000	2540	823	22	19.3	886	22	25.9	952	22	34.0	1011	22	42.1	1155	19	49.7
60400	2790	740	28	23.0	937	22	29.5	996	22	37.5	1155	19	46.5	1109	22	55.6
65800	3039	733	31	27.2	991	22	33.9	1045	22	41.8	1099	22	50.9	1153	22	60.9
71200	3289	825	28	30.6	886	28	39.9	1096	22	46.9	1146	22	55.9	1197	22	66.1
76600	3538	870	28	35.1	927	28	44.8	1151	22	53.0	1197	22	61.9	1243	22	71.9
82000	3787	917	28	40.3	969	28	50.3	1208	22	59.9	1250	22	68.8	1292	22	78.5
87400	4037	843	34	46.9	1012	28	56.4	1062	28	67.6	1306	22	76.9	1345	22	86.5
92800	4286	792	40	53.8	1057	28	63.2	1103	28	74.6	1241	25	86.9	1193	28	99.5
98200	4536	827	40	60.7	1030	31	72.2	1146	28	82.5	1191	28	95.3	1234	28	109
103600	4785	963	34	67.8	1008	34	80.7	1191	28	91.2	1233	28	104	1275	28	118
109000	5035	898	40	76.6	1200	28	88.4	1155	31	103	1275	28	114	1316	28	128
114400	5284	934	40	85.7	975	40	100	1283	28	111	1319	28	124	1272	31	142
119800	5534	970	40	95.4	1009	40	110	1165	34	125	1207	34	141	1311	31	154
125200	5783	1007	40	106	1045	40	122	1082	40	138	1243	34	153	1351	31	167

CFM	OV	4" SP			5" SP			6" SP			7" SP			8" SP		
		RPM	BLD°	BHP	RPM	BLD°	BHP	RPM	BLD°	BHP	RPM	BLD°	BHP	RPM	BLD°	BHP
6400	295	1033	10	21.8	1143	10	29.6	1242	10	38.1	1333	10	47.2	1306	13	61.4
11800	545	1006	13	26.2	1108	13	35.5	1201	13	45.5	1287	13	56.3	1280	16	76.7
17200	794	1077	13	30.3	1176	13	40.3	1267	13	51.2	1350	13	62.6	1332	16	82.8
22600	1044	1151	13	34.9	1250	13	45.9	1340	13	57.6	1318	16	75.3	1328	19	103
28000	1293	1222	13	39.9	1324	13	52.0	1307	16	68.4	1309	19	92.6	1304	22	120
33400	1542	1168	16	44.6	1273	16	59.2	1283	19	82.1	1287	22	107	1354	22	128
38800	1792	1216	16	48.9	1319	16	63.8	1331	19	88.1	1338	22	115			
44200	2041	1269	16	54.2	1284	19	74.6	1310	22	101						
49600	2291	1216	19	61.1	1320	19	79.3	1350	22	108						
55000	2540	1258	19	66.5	1283	22	89.8									
60400	2790	1305	19	72.7	1306	22	94.0									
65800	3039	1249	22	80.3	1338	22	100									
71200	3289	1292	22	87.4												
76600	3538	1336	22	94.5	1325	25	121									
82000	3787	1277	25	104												
87400	4037	1319	25	113	1309	28	141									
92800	4286	1270	28	125	1343	28	151									
98200	4536	1310	28	135	1316	31	170									
103600	4785	1351	28	146	1348	31	181									
109000	5035	1309	31	161	1322	34	205									
114400	5284	1345	31	173	1355	34	218									
119800	5534	1195	40	198												
125200	5783	1222	40	211												

Performance shown is for installation type D: ducted inlet, ducted outlet. Power rating (BHP) includes drive losses. Performance ratings do not include the effects of appurtenances in the airstream. BLD° - Blade Pitch. Performance shown is based on Blade Pitch with highest static efficiency.



Prop Diameter - 70.5"
Drive Type - Belt
Maximum Frame - 445T
Tip Speed (FPM) = 18.46 x RPM
Sound Data - Page 28
Approx. Shipping Wt.-Lbs. - 3850 (less motor)

71 AVAB

CFM	OV	1" SP			1-1/2" SP			2" SP			2-1/2" SP			3" SP		
		RPM	BLD°	BHP	RPM	BLD°	BHP	RPM	BLD°	BHP	RPM	BLD°	BHP	RPM	BLD°	BHP
1500	54	360	13	3.48												
8400	306	452	10	4.38	538	10	7.52	612	10	11.2	676	10	15.1	733	10	19.4
15300	558	474	13	6.08	552	13	10.0	674	10	14.0	734	10	18.4	728	13	24.4
22200	810	517	13	7.55	604	13	12.3	674	13	17.4	733	13	22.9	863	10	28.5
29100	1062	516	16	9.26	645	13	14.5	718	13	20.4	865	10	27.5	839	13	33.3
36000	1313	516	19	11.3	634	16	17.1	703	16	23.9	823	13	30.4	881	13	37.7
42900	1565	516	22	13.4	625	19	20.2	688	19	27.5	871	13	34.9	924	13	42.4
49800	1817	553	22	15.9	618	22	23.3	723	19	31.3	839	16	39.1	890	16	47.6
56700	2069	549	25	18.9	654	22	26.7	709	22	35.3	887	16	44.6	933	16	53.3
63600	2321	586	25	22.4	644	25	31.2	745	22	39.8	858	19	50.7	844	22	60.4
70500	2573	555	31	26.6	678	25	35.6	729	25	45.7	829	22	55.0	874	22	65.9
77400	2825	587	31	30.9	677	28	41.5	763	25	51.3	867	22	61.5	909	22	72.4
84300	3076	619	31	35.7	671	31	47.2	862	22	57.7	905	22	68.6	947	22	80.2
91200	3328	653	31	41.3	702	31	53.2	836	25	64.8	877	25	76.9	985	22	88.6
98100	3580	688	31	47.6	734	31	60.0	778	31	73.4	913	25	85.2	951	25	98.5
105000	3832	724	31	54.7	767	31	67.7	860	28	82.1	898	28	95.8	987	25	108
111900	4084	761	31	62.6	768	34	79.4	841	31	90.5	880	31	106	1025	25	119
118800	4336	718	37	74.4	836	31	85.6	873	31	100	911	31	116	947	31	133
125700	4587	837	31	81.3	871	31	95.7	907	31	111	943	31	128	978	31	145
132600	4839	876	31	92.1	908	31	107	941	31	123	975	31	140	1009	31	157
139500	5091	915	31	104	946	31	120	977	31	136	1009	31	153	1041	31	171
146400	5343	849	37	120	883	37	138	1013	31	150	1043	31	168	1074	31	186
153300	5595	939	34	133	1022	31	148	1049	31	165	1078	31	184	1107	31	202
160200	5847	1034	31	146	1061	31	164	1087	31	182	1114	31	201	1142	31	220

CFM	OV	4" SP			5" SP			6" SP			7" SP			8" SP		
		RPM	BLD°	BHP	RPM	BLD°	BHP	RPM	BLD°	BHP	RPM	BLD°	BHP	RPM	BLD°	BHP
8400	306	834	10	28.8	923	10	39.3	1003	10	50.6	1076	10	62.8	1144	10	75.7
15300	558	891	10	33.9	983	10	45.9	1065	10	58.6	1141	10	72.4	1117	13	93.3
22200	810	877	13	41.1	1044	10	52.7	1122	10	66.4	1195	10	81.0	1169	13	103
29100	1062	936	13	47.3	1018	13	62.2	1091	13	78.1	1158	13	94.8	1160	16	126
36000	1313	984	13	53.3	1073	13	70.0	1149	13	87.3	1155	16	116	1151	19	149
42900	1565	1025	13	59.1	1117	13	77.4	1198	13	96.4	1147	19	138	1203	19	162
49800	1817	989	16	66.6	1157	13	84.6	1169	16	111	1196	19	150	1198	22	190
56700	2069	1023	16	72.5	1202	13	92.9	1195	16	118	1180	22	173			
63600	2321	1065	16	79.8	1145	16	102	1163	19	133						
70500	2573	1113	16	88.6	1100	19	112	1178	19	138						
77400	2825	991	22	97.1	1136	19	122	1159	22	156						
84300	3076	1024	22	105	1098	22	133	1174	22	163						
91200	3328	1060	22	114	1129	22	142	1198	22	173						
98100	3580	1097	22	124	1164	22	153									
105000	3832	1136	22	136	1201	22	165	1189	25	204						
111900	4084	1091	25	149	1155	25	182									
118800	4336	1127	25	162	1189	25	195									
125700	4587	1102	28	179	1100	31	218									
132600	4839	1073	31	194												
139500	5091	1104	31	210												

Performance shown is for installation type D: ducted inlet, ducted outlet. Power rating (BHP) includes drive losses. Performance ratings do not include the effects of appurtenances in the airstream. BLD° - Blade Pitch. Performance shown is based on Blade Pitch with highest static efficiency.

79 AVAB Data

Prop Diameter - 78.38"

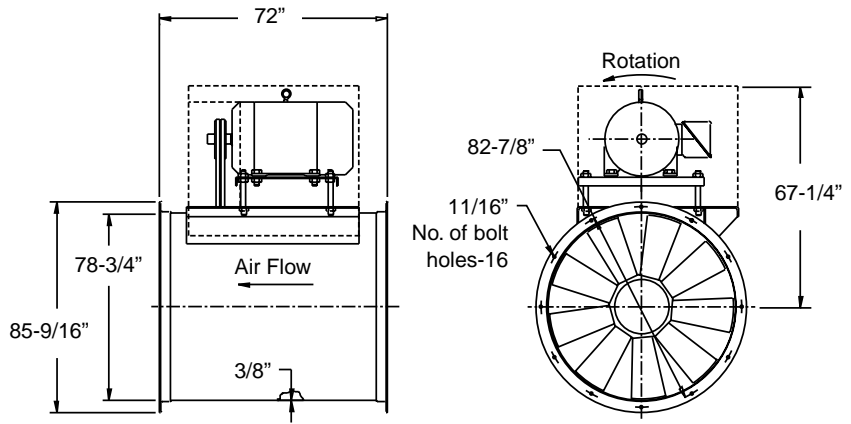
Drive Type - Belt

Maximum Frame - 445T

Tip Speed (FPM) = 20.52 x RPM

Sound Data - Page 28

Approx. Shipping Wt.-Lbs. - 4200 (less motor)



79 AVAB

CFM	OV	1" SP			1-1/2" SP			2" SP			2-1/2" SP			3" SP		
		RPM	BLD°	BHP	RPM	BLD°	BHP	RPM	BLD°	BHP	RPM	BLD°	BHP	RPM	BLD°	BHP
1500	44	353	13	3.93												
10000	295	406	13	5.24	532	10	8.94	550	13	13.5	609	13	18.4	725	10	23.0
18500	546	465	13	7.01	541	13	11.5	604	13	16.5	724	10	21.8	712	13	28.0
27000	798	470	16	8.87	599	13	14.4	664	13	20.3	720	13	26.5	852	10	34.2
35500	1049	511	16	10.8	587	16	17.0	718	13	24.2	713	16	32.2	830	13	39.0
44000	1300	507	19	13.3	629	16	20.1	692	16	27.6	749	16	35.7	882	13	44.7
52500	1552	546	19	15.8	615	19	23.9	736	16	32.0	879	13	41.8	841	16	49.7
61000	1803	538	22	18.8	653	19	27.6	711	19	36.9	835	16	46.3	883	16	55.9
69500	2054	575	22	21.8	637	22	32.0	750	19	41.9	745	22	53.5	850	19	63.8
78000	2306	615	22	25.5	673	22	36.3	727	22	48.0	840	19	58.8	885	19	70.5
86500	2557	659	22	30.3	710	22	40.8	762	22	53.5	881	19	65.6	925	19	78.3
95000	2808	593	28	36.3	751	22	46.6	882	19	60.7	925	19	73.2	888	22	87.5
103500	3059	587	31	42.8	728	25	55.1	837	22	65.9	880	22	80.2	923	22	95.8
112000	3311	661	28	48.2	765	25	62.6	878	22	73.9	918	22	88.1	958	22	104
120500	3562	698	28	55.6	742	28	70.6	923	22	83.8	959	22	97.6	996	22	113
129000	3813	686	31	65.1	776	28	79.3	882	25	96.0	1002	22	109	1035	22	124
137500	4065	676	34	74.3	759	31	90.9	851	28	107	1047	22	122	1077	22	136
146000	4316	635	40	85.1	848	28	100	884	28	118	865	31	140	1028	25	155
154500	4567	663	40	96.0	885	28	112	919	28	130	954	28	150	989	28	171
163000	4819	691	40	108	860	31	127	954	28	144	926	31	168	1021	28	186
171500	5070	720	40	121	754	40	144	926	31	162	1022	28	180	1054	28	202
180000	5321	749	40	136	871	34	157	1029	28	176	989	31	201			
188500	5572	778	40	151	903	34	173	934	34	197	1022	31	219			
197000	5824	858	37	172	838	40	193	867	40	218						

CFM	OV	4" SP			5" SP			6" SP			7" SP			8" SP		
		RPM	BLD°	BHP	RPM	BLD°	BHP	RPM	BLD°	BHP	RPM	BLD°	BHP	RPM	BLD°	BHP
10000	295	825	10	34.1	913	10	46.4	992	10	59.7	1065	10	74.0	1043	13	96.1
18500	546	881	10	40.2	885	13	55.5	959	13	71.2	1028	13	88.1	1023	16	120
27000	798	861	13	47.6	940	13	63.2	1012	13	80.0	1079	13	98.1	1064	16	130
35500	1049	920	13	54.8	999	13	71.9	1071	13	90.3	1054	16	118	1061	19	161
44000	1300	977	13	62.6	1059	13	81.6	1045	16	107	1046	19	145	1042	22	188
52500	1552	934	16	70.0	1018	16	92.9	1026	19	129	1029	22	169	1083	22	201
61000	1803	973	16	76.9	1055	16	100	1064	19	138	1070	22	181			
69500	2054	1015	16	85.1	1026	19	117	1047	22	159						
78000	2306	973	19	96.1	1056	19	125	1079	22	169						
86500	2557	1007	19	105	1026	22	141									
95000	2808	1045	19	115	1045	22	148									
103500	3059	999	22	126	1070	22	158									
112000	3311	1035	22	138												
120500	3562	1070	22	149	1060	25	191									
129000	3813	1023	25	165												
137500	4065	1056	25	178												
146000	4316	1017	28	197												
154500	4567	1049	28	213												

Performance shown is for installation type D: ducted inlet, ducted outlet. Power rating (BHP) includes drive losses. Performance ratings do not include the effects of appurtenances in the airstream. BLD° - Blade Pitch. Performance shown is based on Blade Pitch with highest static efficiency.

35 AVAD

Model No.	RPM	SP	Sound Power re 10 ⁻¹² Watts Octave Bands								L _{wo} A
			1	2	3	4	5	6	7	8	
35AVA08D10	870	0.25	79	80	77	77	77	76	73	68	82
35AVA08D10	870	0.75	82	85	81	81	77	74	71	69	83
35AVA11D10	1160	0.50	85	85	83	83	83	84	81	76	89
35AVA11D10	1160	1.50	87	90	86	87	84	81	79	76	89
35AVA17D10	1750	1.00	93	94	95	92	92	92	91	88	98
35AVA17D10	1750	3.00	94	97	100	96	96	93	89	87	101
35AVA08D22	870	0.25	80	82	82	82	79	75	72	68	84
35AVA08D22	870	0.75	82	84	86	87	83	77	72	68	88
35AVA11D22	1160	0.50	87	86	87	89	87	82	79	76	91
35AVA11D22	1160	1.50	88	90	92	95	92	86	80	76	96
35AVA17D22	1750	1.50	93	95	95	97	97	94	90	87	101
35AVA17D22	1750	4.00	97	100	103	103	102	98	92	87	106
35AVA08D37	870	0.25	81	84	87	91	90	82	73	69	93
35AVA08D37	870	0.75	85	89	88	89	87	79	73	69	91
35AVA11D37	1160	0.50	87	90	92	96	99	93	81	77	101
35AVA11D37	1160	1.50	90	95	97	95	95	89	81	77	98
35AVA17D37	1750	3.00	96	100	104	104	104	102	95	88	108

39 AVAD

Model No.	RPM	SP	Sound Power re 10 ⁻¹² Watts Octave Bands								L _{wo} A
			1	2	3	4	5	6	7	8	
39AVA08D10	870	0.25	78	80	78	82	81	77	73	68	85
39AVA08D10	870	0.75	82	87	84	83	80	75	72	69	85
39AVA17D10	1750	1.00	92	93	95	94	97	97	92	88	102
39AVA17D10	1750	3.00	92	97	102	99	98	95	91	87	103
39AVA08D22	870	0.50	82	87	84	84	82	78	73	69	86
39AVA08D22	870	1.00	92	99	90	88	84	78	73	69	90
39AVA11D22	1160	1.00	87	94	92	90	91	86	81	77	94
39AVA11D22	1160	2.00	94	102	97	95	92	87	81	77	97
39AVA17D22	1750	2.00	93	97	102	99	99	98	93	88	104
39AVA17D22	1750	4.00	101	107	114	105	103	99	93	88	109
39AVA06D37	690	0.25	81	84	86	91	87	76	68	61	91
39AVA06D37	690	0.50	81	84	87	90	84	75	68	62	89
39AVA08D37	870	0.25	84	90	91	94	95	85	75	68	97
39AVA08D37	870	0.75	84	87	90	94	92	83	75	69	95
39AVA11D37	1160	0.50	88	94	96	98	103	97	85	78	105
39AVA11D37	1160	1.50	91	94	97	100	101	94	84	78	103

44 AVAD

Model No.	RPM	SP	Sound Power re 10 ⁻¹² Watts Octave Bands								L _{wo} A
			1	2	3	4	5	6	7	8	
44AVA08D10	870	0.50	86	87	84	84	84	83	79	75	89
44AVA08D10	870	1.00	89	92	89	89	85	81	78	76	91
44AVA11D10	1160	1.00	92	93	90	92	90	90	87	83	96
44AVA11D10	1160	2.00	93	97	93	95	92	88	85	83	97
44AVA17D10	1750	2.00	99	101	102	99	99	99	98	95	105
44AVA17D10	1750	4.00	100	104	107	104	104	100	96	93	108
44AVA08D22	870	0.50	86	87	88	89	85	81	78	75	90
44AVA08D22	870	1.50	91	94	94	94	89	83	79	75	95
44AVA11D22	1160	1.00	93	92	94	95	94	89	86	83	98
44AVA11D22	1160	3.00	98	102	101	100	97	91	86	83	102
44AVA17D22	1750	2.00	100	102	102	104	104	101	96	93	108
44AVA17D22	1750	6.00	103	106	109	109	109	104	99	94	112
44AVA06D37	690	0.25	84	87	90	94	90	79	73	69	94
44AVA06D37	690	0.50	87	89	89	93	88	79	73	69	93
44AVA08D37	870	0.25	88	90	94	98	97	89	80	75	100
44AVA08D37	870	0.75	90	95	94	97	96	87	79	75	99
44AVA11D37	1160	0.50	93	95	98	103	105	100	88	83	107
44AVA11D37	1160	1.50	94	100	99	101	105	97	87	83	107

49 AVAD

Model No.	RPM	SP	Sound Power re 10 ⁻¹² Watts Octave Bands								L _{wo} A
			1	2	3	4	5	6	7	8	
49AVA08D10	870	0.50	85	86	86	90	89	84	80	75	93
49AVA08D10	870	1.00	89	94	91	91	87	83	79	76	92
49AVA11D10	1160	1.00	91	92	91	95	98	92	88	83	100
49AVA11D10	1160	2.00	92	99	96	98	95	90	86	83	100
49AVA17D10	1750	2.00	98	100	101	101	105	105	99	95	110
49AVA17D10	1750	5.00	99	104	109	105	105	101	97	94	109
49AVA08D22	870	1.00	92	97	92	92	90	85	80	76	94
49AVA08D22	870	2.00	97	102	97	95	91	86	80	76	97
49AVA11D22	1160	2.00	96	104	100	99	98	93	88	84	102
49AVA11D22	1160	4.00	101	105	104	103	100	95	89	84	105
49AVA17D22	1750	4.00	102	107	112	108	107	105	100	95	112
49AVA17D22	1750	8.00	108	112	117	112	110	106	101	96	115
49AVA06D37	690	0.50	87	90	93	98	93	82	75	68	98
49AVA06D37	690	1.00	90	95	96	96	91	82	75	68	96
49AVA08D37	870	1.00	91	94	97	101	100	91	82	76	103
49AVA08D37	870	2.00	94	97	101	101	98	90	82	76	102

The sound power level ratings shown are in decibels referred to 10⁻¹² watts calculated per AMCA Standard 301. The A-weighted sound ratings shown have been calculated per AMCA Standard 301. Values shown are for outlet L_{wo} and outlet L_{wo}A sound power levels for installation type D: ducted inlet, ducted outlet. Ratings include the effects of duct end correction.

AVAD Sound Data

57 AVAD

Model No.	RPM	SP	Sound Power re 10 ⁻¹² Watts Octave Bands								L _{woA}
			1	2	3	4	5	6	7	8	
57AVA06D10	690	0.50	88	88	86	86	87	85	81	76	91
57AVA06D10	690	1.50	93	92	90	88	85	82	80	78	91
57AVA08D10	870	1.00	94	96	93	93	92	90	87	83	97
57AVA08D10	870	2.00	96	100	95	95	92	88	86	83	97
57AVA11D10	1160	2.00	100	102	99	102	100	98	95	91	105
57AVA11D10	1160	4.00	101	104	101	101	98	95	93	91	104
57AVA06D22	690	1.00	90	92	95	94	89	84	80	77	95
57AVA06D22	690	2.00	100	100	97	94	89	84	80	77	95
57AVA08D22	870	1.50	95	96	98	99	95	90	86	83	100
57AVA08D22	870	3.00	102	106	102	100	96	90	86	83	102
57AVA11D22	1160	2.50	101	101	103	106	103	98	94	90	107
57AVA11D22	1160	5.00	105	110	109	108	105	99	94	91	110
57AVA06D37	690	0.50	93	95	98	102	98	87	81	77	102
57AVA06D37	690	1.00	95	96	97	100	95	86	81	77	100
57AVA08D37	870	1.00	98	102	102	105	104	96	87	83	107
57AVA08D37	870	2.00	99	104	103	104	101	94	87	83	105

63 AVAD

Model No.	RPM	SP	Sound Power re 10 ⁻¹² Watts Octave Bands								L _{woA}
			1	2	3	4	5	6	7	8	
63AVA06D10	690	0.50	87	87	90	94	90	85	81	76	95
63AVA06D10	690	1.50	92	92	91	90	87	83	80	77	92
63AVA08D10	870	1.00	93	95	94	98	97	91	87	83	100
63AVA08D10	870	2.00	96	101	98	97	94	90	86	83	99
63AVA11D10	1160	2.00	99	101	100	103	105	99	95	91	108
63AVA11D10	1160	4.00	99	105	102	103	101	97	94	91	106
63AVA06D22	690	1.00	96	97	94	94	90	85	81	77	95
63AVA06D22	690	2.00	102	102	99	97	92	86	81	77	98
63AVA08D22	870	1.50	98	103	99	99	97	92	87	83	101
63AVA08D22	870	3.00	105	111	104	102	98	93	88	83	104
63AVA11D22	1160	3.00	103	110	107	106	105	101	95	91	109
63AVA11D22	1160	6.00	109	114	111	110	107	102	96	91	112
63AVA06D37	690	0.50	96	99	101	105	101	90	82	76	105
63AVA06D37	690	1.50	97	101	103	103	98	90	83	76	103
63AVA08D37	870	0.50	99	104	105	109	109	100	90	83	111
63AVA08D37	870	1.00	98	103	104	109	108	99	90	83	111

71 AVAD

Model No.	RPM	SP	Sound Power re 10 ⁻¹² Watts Octave Bands								L _{woA}
			1	2	3	4	5	6	7	8	
71AVA06D10	690	1.00	96	96	95	95	93	91	87	83	98
71AVA06D10	690	2.00	99	99	97	95	92	89	87	84	98
71AVA08D10	870	1.00	100	101	98	98	98	97	94	89	103
71AVA08D10	870	3.00	103	106	102	102	98	95	92	90	104
71AVA11D10	1160	3.00	107	109	106	108	106	104	101	97	111
71AVA11D10	1160	6.00	108	111	108	108	105	102	100	97	111
71AVA06D22	690	1.00	95	97	98	97	93	89	86	84	99
71AVA06D22	690	3.00	106	107	103	100	95	90	87	83	102
71AVA08D22	870	2.00	101	102	104	104	101	96	93	89	106
71AVA08D22	870	4.00	106	110	109	108	103	98	93	89	109
71AVA11D22	1160	4.00	108	108	110	113	110	105	100	97	114
71AVA11D22	1160	8.00	113	117	115	114	111	105	101	97	116
71AVA06D37	690	1.00	102	103	104	108	104	93	88	83	108
71AVA06D37	690	2.00	103	106	105	106	100	93	88	83	106
71AVA08D37	870	1.00	102	105	108	112	111	103	94	90	114
71AVA08D37	870	3.00	106	110	109	110	108	100	94	90	112

79 AVAD

Model No.	RPM	SP	Sound Power re 10 ⁻¹² Watts Octave Bands								L _{woA}
			1	2	3	4	5	6	7	8	
79AVA06D10	690	1.00	95	96	97	101	97	92	87	83	102
79AVA06D10	690	2.00	100	101	100	98	94	90	87	84	100
79AVA08D10	870	2.00	101	105	103	105	103	98	93	90	107
79AVA08D10	870	4.00	102	105	102	102	99	96	93	90	104
79AVA11D10	1160	3.00	106	108	106	110	112	106	102	97	115
79AVA11D10	1160	6.00	106	112	109	111	108	104	100	97	113
79AVA06D22	690	1.00	100	102	99	100	97	92	88	83	102
79AVA06D22	690	3.00	110	109	106	103	98	93	88	83	104
79AVA08D22	870	2.00	103	108	105	105	104	99	94	90	108
79AVA08D22	870	5.00	112	117	111	109	105	100	95	90	111
79AVA11D22	1160	4.00	108	115	113	111	112	107	102	98	115
79AVA11D22	1160	9.00	115	121	118	117	114	109	103	98	119
79AVA06D37	690	1.00	102	105	107	112	108	97	89	82	112
79AVA06D37	690	2.00	102	105	109	111	106	96	89	83	111

The sound power level ratings shown are in decibels referred to 10⁻¹² watts calculated per AMCA Standard 301. The A-weighted sound ratings shown have been calculated per AMCA Standard 301. Values shown are for outlet L_{wo} and outlet L_{woA} sound power levels for installation type D: ducted inlet, ducted outlet. Ratings include the effects of duct end correction.

35 AVAB

Model No.	RPM	SP	Sound Power re 10 ⁻¹² Watts Octave Bands								L _{w0} A
			1	2	3	4	5	6	7	8	
35AVAB-10	1100	0.75	87	89	86	89	90	85	79	75	93
35AVAB-10	1100	1.50	86	90	86	87	87	84	78	75	91
35AVAB-10	1600	1.50	94	96	97	96	98	96	90	85	102
35AVAB-10	1600	3.00	93	96	98	95	95	94	90	85	100
35AVAB-10	2150	2.50	99	102	103	101	103	104	99	93	109
35AVAB-10	2150	5.00	98	101	104	101	102	102	99	93	108
35AVAB-22	1100	1.00	87	88	88	88	88	84	79	76	92
35AVAB-22	1100	2.00	92	96	93	92	90	86	80	76	95
35AVAB-22	1600	2.00	94	95	97	96	96	95	90	86	101
35AVAB-22	1600	4.00	98	101	104	100	99	96	91	87	104
35AVAB-22	2150	4.00	99	102	103	103	102	103	99	93	108
35AVAB-22	2150	8.00	104	107	110	107	106	104	100	95	111
35AVAB-37	1100	0.50	90	93	96	93	92	87	81	77	96
35AVAB-37	1100	1.00	91	93	96	93	92	87	81	77	96
35AVAB-37	1600	1.00	96	99	102	103	101	98	93	87	106
35AVAB-37	1600	2.50	98	100	102	103	101	98	93	87	106
35AVAB-37	2150	2.00	101	104	107	111	107	107	102	95	113
35AVAB-37	2150	4.00	102	105	107	111	107	107	102	96	113

39 AVAB

Model No.	RPM	SP	Sound Power re 10 ⁻¹² Watts Octave Bands								L _{w0} A
			1	2	3	4	5	6	7	8	
39AVAB-10	975	0.50	88	90	89	92	89	86	77	69	94
39AVAB-10	975	1.00	88	92	90	91	89	86	78	70	93
39AVAB-10	1450	1.00	95	97	98	99	99	97	91	82	103
39AVAB-10	1450	2.50	95	99	100	99	99	97	91	83	103
39AVAB-10	1950	2.00	100	103	105	104	106	104	101	92	110
39AVAB-10	1950	5.00	101	104	108	105	105	104	101	93	110
39AVAB-22	975	1.00	90	92	96	97	93	88	80	72	98
39AVAB-22	975	2.50	97	99	96	95	92	89	82	75	97
39AVAB-22	1450	2.00	97	99	102	106	104	100	93	85	108
39AVAB-22	1450	4.00	104	106	106	104	103	100	94	88	107
39AVAB-22	1950	3.00	102	105	106	110	111	107	103	95	114
39AVAB-22	1950	6.00	107	109	111	111	111	108	104	96	115
39AVAB-37	975	0.50	88	94	91	93	93	88	81	74	96
39AVAB-37	975	1.00	91	98	95	95	93	89	81	74	97
39AVAB-37	1450	1.00	94	100	102	101	102	100	93	86	106
39AVAB-37	1450	2.00	97	102	105	103	103	100	94	86	107
39AVAB-37	1950	2.00	99	103	109	106	108	108	103	96	113
39AVAB-37	1950	4.00	103	106	113	110	110	108	104	96	115

44 AVAB

Model No.	RPM	SP	Sound Power re 10 ⁻¹² Watts Octave Bands								L _{w0} A
			1	2	3	4	5	6	7	8	
44AVAB-10	875	0.75	89	91	89	91	90	85	79	76	94
44AVAB-10	875	1.50	89	92	88	89	88	84	79	76	92
44AVAB-10	1300	1.50	97	98	97	98	100	97	90	86	103
44AVAB-10	1300	3.00	96	99	98	97	98	96	90	86	102
44AVAB-10	1750	2.50	102	104	106	104	106	105	100	94	111
44AVAB-10	1750	5.00	101	104	107	103	104	104	99	94	109
44AVAB-22	875	1.00	89	91	90	90	89	84	80	76	93
44AVAB-22	875	2.00	95	98	94	93	90	86	81	77	95
44AVAB-22	1300	2.00	97	98	99	98	98	96	90	87	102
44AVAB-22	1300	4.00	101	104	104	102	100	97	92	87	105
44AVAB-22	1750	3.00	102	104	106	105	105	104	99	95	110
44AVAB-22	1750	6.00	105	107	110	107	106	105	100	95	111
44AVAB-37	875	0.50	92	95	97	95	92	87	81	77	97
44AVAB-37	875	1.00	93	95	97	95	92	87	82	77	97
44AVAB-37	1300	1.00	99	102	106	104	103	99	93	88	107
44AVAB-37	1300	2.50	100	103	106	104	103	99	93	88	107
44AVAB-37	1750	1.00	105	108	111	112	110	108	102	96	115
44AVAB-37	1750	2.00	105	108	110	112	110	108	102	96	115

49 AVAB

Model No.	RPM	SP	Sound Power re 10 ⁻¹² Watts Octave Bands								L _{w0} A
			1	2	3	4	5	6	7	8	
49AVAB-10	750	0.50	90	91	92	92	90	84	75	67	94
49AVAB-10	750	1.00	91	93	92	92	90	84	76	68	94
49AVAB-10	1150	1.00	98	100	99	102	100	98	90	81	105
49AVAB-10	1150	2.00	98	101	99	103	100	98	90	82	105
49AVAB-10	1550	2.00	103	105	107	107	108	106	100	91	112
49AVAB-10	1550	4.00	103	107	109	107	107	106	100	92	112
49AVAB-22	750	0.75	91	94	97	96	92	86	78	70	97
49AVAB-22	750	1.50	97	98	97	96	93	87	80	73	98
49AVAB-22	1150	1.50	100	101	104	107	103	100	92	84	108
49AVAB-22	1150	3.00	103	104	106	107	104	101	93	86	109
49AVAB-22	1550	3.00	105	107	109	113	112	108	102	94	116
49AVAB-22	1550	6.00	110	112	113	113	112	109	103	96	116
49AVAB-37	750	0.50	92	95	93	95	93	86	79	73	97
49AVAB-37	750	1.00	96	99	97	96	93	87	79	72	98
49AVAB-37	1150	1.00	97	104	101	103	104	101	92	86	107
49AVAB-37	1150	2.00	100	107	105	105	104	101	93	86	108

The sound power level ratings shown are in decibels referred to 10⁻¹² watts calculated per AMCA Standard 301. The A-weighted sound ratings shown have been calculated per AMCA Standard 301. Values shown are for outlet L_{w0} and outlet L_{w0}A sound power levels for installation type D: ducted inlet, ducted outlet. Ratings include the effects of duct end correction.

AVAB Sound Data

57 AVAB

Model No.	RPM	SP	Sound Power re 10 ⁻¹² Watts Octave Bands								L _{wc} A
			1	2	3	4	5	6	7	8	
57AVAB-10	675	0.75	92	91	92	94	90	84	80	77	95
57AVAB-10	675	1.50	93	92	91	91	89	84	80	77	93
57AVAB-10	1000	1.50	100	101	99	101	102	97	91	87	105
57AVAB-10	1000	3.00	99	103	99	100	99	96	90	87	103
57AVAB-10	1350	3.00	105	107	106	107	109	106	99	95	112
57AVAB-10	1350	6.00	104	108	107	106	106	104	99	95	111
57AVAB-22	675	0.75	91	92	92	92	89	84	81	77	94
57AVAB-22	675	1.50	95	96	94	93	90	85	81	77	95
57AVAB-22	1000	1.50	100	101	100	100	100	96	91	88	104
57AVAB-22	1000	3.00	102	104	102	102	101	97	91	88	105
57AVAB-22	1350	3.00	105	106	107	107	107	105	99	96	111
57AVAB-22	1350	6.00	108	110	111	109	108	105	100	96	113
57AVAB-37	675	0.50	96	99	98	97	93	87	82	78	98
57AVAB-37	675	1.00	96	99	98	97	93	87	82	78	98
57AVAB-37	1000	1.00	103	106	108	106	104	99	93	89	108
57AVAB-37	1000	2.00	103	105	108	105	104	99	93	89	108
57AVAB-37	1350	2.00	108	111	114	113	112	108	102	97	116
57AVAB-37	1350	4.00	109	111	114	113	111	108	102	97	116

63 AVAB

Model No.	RPM	SP	Sound Power re 10 ⁻¹² Watts Octave Bands								L _{wc} A
			1	2	3	4	5	6	7	8	
63AVAB-10	600	0.50	93	92	96	94	92	84	75	67	96
63AVAB-10	600	1.00	95	93	95	94	92	84	76	68	96
63AVAB-10	900	1.00	101	103	102	104	101	97	89	80	105
63AVAB-10	900	2.00	101	105	102	104	102	97	89	81	106
63AVAB-10	1225	2.00	106	108	108	111	109	107	99	91	114
63AVAB-10	1225	4.00	107	110	109	111	109	107	99	92	114
63AVAB-22	600	0.75	94	98	101	97	94	86	78	69	99
63AVAB-22	600	1.50	99	100	100	97	94	87	80	73	99
63AVAB-22	900	1.50	102	104	107	108	104	99	91	83	109
63AVAB-22	900	3.00	106	108	109	108	105	100	93	85	110
63AVAB-22	1225	3.00	108	110	113	116	113	109	102	93	117
63AVAB-22	1225	6.00	113	114	115	116	113	110	103	96	118
63AVAB-37	600	0.50	97	95	96	98	94	86	80	73	98
63AVAB-37	600	1.00	100	100	99	98	95	87	80	73	99
63AVAB-37	900	1.00	101	107	104	106	105	100	92	86	109
63AVAB-37	900	2.00	104	110	107	107	105	100	92	86	109
63AVAB-37	1225	2.00	105	112	111	112	113	110	102	95	117
63AVAB-37	1225	4.00	109	115	115	114	113	110	102	95	117

71 AVAB

Model No.	RPM	SP	Sound Power re 10 ⁻¹² Watts Octave Bands								L _{wc} A
			1	2	3	4	5	6	7	8	
71AVAB-10	550	0.75	95	92	95	96	91	85	81	78	96
71AVAB-10	550	1.50	96	93	93	94	90	84	81	78	95
71AVAB-10	800	1.50	102	103	101	104	102	96	91	88	106
71AVAB-10	800	3.00	102	105	101	102	100	96	91	88	104
71AVAB-10	1050	3.00	107	109	106	109	109	105	99	95	113
71AVAB-10	1050	6.00	106	110	106	107	107	104	98	95	111
71AVAB-22	550	0.75	94	94	94	94	90	85	82	79	95
71AVAB-22	550	1.50	98	96	96	95	91	86	82	79	96
71AVAB-22	800	1.50	101	103	102	102	101	96	92	88	105
71AVAB-22	800	3.00	104	106	104	104	101	97	92	89	106
71AVAB-22	1050	3.00	107	108	108	108	108	104	99	96	112
71AVAB-22	1050	6.00	111	113	111	110	109	105	100	96	113
71AVAB-37	550	0.50	99	102	99	99	93	87	83	79	99
71AVAB-37	550	1.00	99	102	99	99	93	87	83	79	99
71AVAB-37	800	1.00	99	102	99	98	93	87	83	79	99
71AVAB-37	800	2.00	106	108	109	107	104	99	93	89	109

79 AVAB

Model No.	RPM	SP	Sound Power re 10 ⁻¹² Watts Octave Bands								L _{wc} A
			1	2	3	4	5	6	7	8	
79AVAB-10	500	0.50	97	96	98	96	93	84	76	67	97
79AVAB-10	500	1.00	98	96	98	96	93	84	77	69	97
79AVAB-10	750	1.00	104	105	106	106	104	98	90	81	108
79AVAB-10	750	2.00	105	106	106	106	104	98	90	82	108
79AVAB-10	975	2.00	109	111	110	113	110	107	98	90	115
79AVAB-10	975	4.00	110	113	111	112	110	107	99	91	114
79AVAB-22	500	0.75	98	101	102	99	95	87	78	70	100
79AVAB-22	500	1.50	102	103	103	99	95	88	81	73	101
79AVAB-22	750	1.50	106	108	110	109	106	100	92	83	110
79AVAB-22	750	3.00	108	110	112	110	107	101	93	86	112
79AVAB-22	975	3.00	111	113	116	117	113	109	101	93	118
79AVAB-22	975	6.00	115	117	117	117	114	110	102	95	119
79AVAB-37	500	0.50	101	98	100	100	95	87	81	74	100
79AVAB-37	500	1.00	104	101	101	100	96	87	81	74	101
79AVAB-37	750	1.00	106	109	107	109	107	101	93	87	111
79AVAB-37	750	2.00	108	111	109	110	107	101	93	87	111

The sound power level ratings shown are in decibels referred to 10⁻¹² watts calculated per AMCA Standard 301. The A-weighted sound ratings shown have been calculated per AMCA Standard 301. Values shown are for outlet L_{wc} and outlet L_{wc}A sound power levels for installation type D: ducted inlet, ducted outlet. Ratings include the effects of duct end correction.