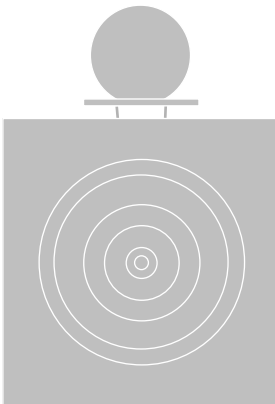
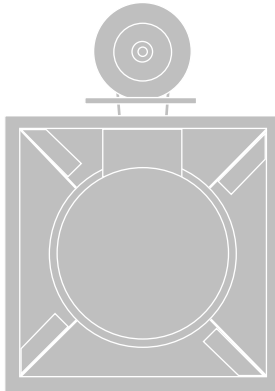
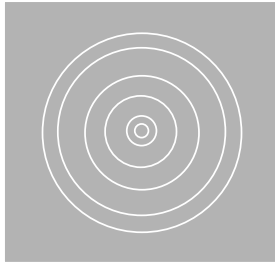


SQI

Square Centrifugal Inline Blowers



	Page
Introduction	2
Construction Features	2
Specifications and Dimension Data	
SQI-D Direct Drive	3
SQI-B Belt Drive	4
SQI-HP High Pressure Belt Drive	5
Accessories	
SQI Installation	6-7
SQI Accessories	8-10
Performance Data	
70-165 SQI-D	11
90-120 SQI-B	12-13
135-402 SQI-B / SQI-HP High Pressure	15-26
Sound Data	
SQI -D	27-28
SQI-B / SQI-HP	29-35
Other Available Products	36

Introduction

Cook's Square Centrifugal Inline fans provide maximum performance and durability in a rugged inline design. The SQI is suitable for a wide variety of commercial and industrial air moving applications. Applications include general ventilation, dishwasher exhaust, spark resistant ventilation and outdoor installations.



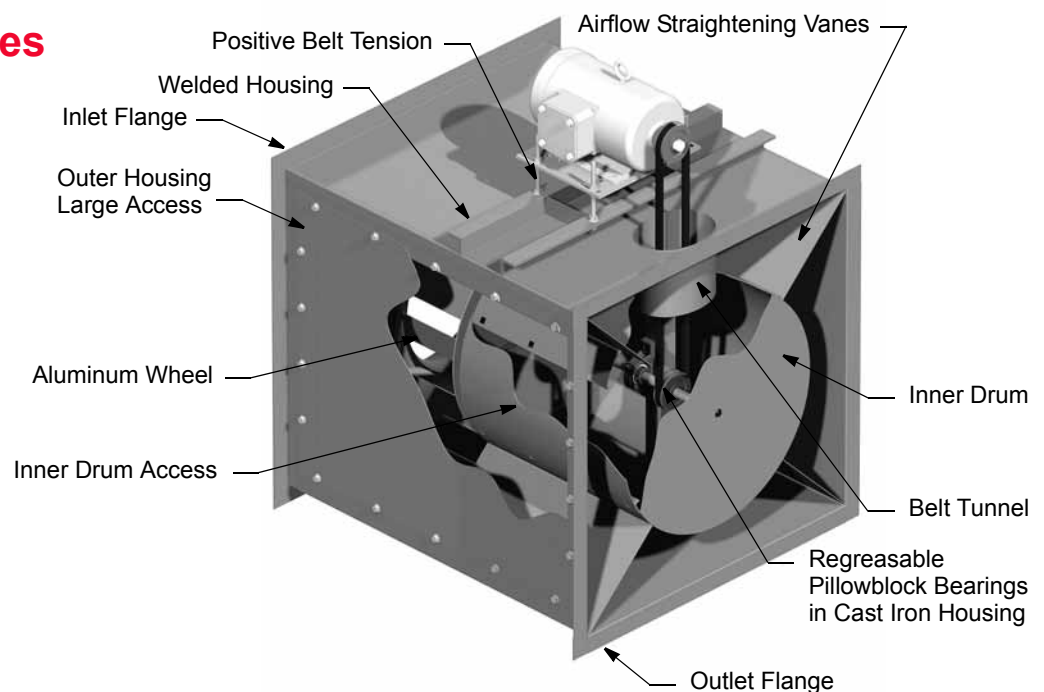
SQI-B / SQI-HP

- SQI units feature a compact, straight through airflow design.
- Welded steel housing with integral inlet and outlet flanges.
- Airflow straightening vanes that increase efficiency.
- An inner drum and belt tunnel that completely encloses the drive components.
- SQI is available in 7 direct drive sizes and 15 belt drive sizes. Capacities range from 170 to 30,000 CFM with static pressures from 0 to 3 inches.
- SQI-HP is available in 13 belt drive sizes. Capacities range from 700 CFM to 24,000 CFM with static pressures from 1/4 to 5 inches.



SQI-D

Construction Features



Square Centrifugal Inline Blower Direct Drive

Description: Fan shall be duct mounted, direct driven centrifugal square inline.

Certifications: Fan shall be manufactured at an ISO 9001 certified facility. Fan shall be listed by Underwriters Laboratories (UL 705) and UL listed for Canada (cUL 705). Fan shall bear the AMCA Certified Ratings Seal for Sound and Air Performance.

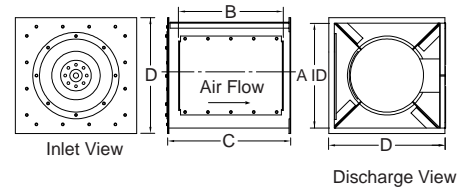
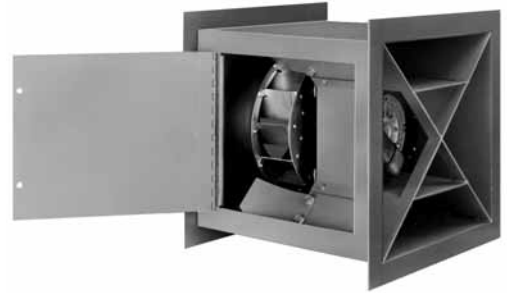
Construction: The fan shall be of bolted and welded construction utilizing corrosion resistant fasteners. Housing shall be minimum 18 gauge steel with airflow straightening vanes and integral duct flanges. Hinged access door shall be located in the specified position. Unit shall bear an engraved aluminum nameplate. Nameplate shall indicate design CFM and static pressure. Unit shall be shipped in ISTA Certified Transit Tested Packaging.

Coating: Steel fan components shall be Lorenized[®] with an electrostatically applied, baked polyester powder coating. Each component shall be subject to a five stage environmentally friendly wash system, followed by a minimum 2 mil thick baked powder finish. Paint must exceed 1,000 hour salt spray under ASTM B117 test method.

Wheel: Wheel shall be centrifugal backward inclined, constructed of 100 percent aluminum, including a precision machined cast aluminum hub. Wheel inlet shall overlap an aerodynamic aluminum inlet cone to provide maximum performance and efficiency. Wheel shall be balanced in accordance with AMCA Standard 204-96, Balance Quality and Vibration Levels for Fans.

Motor: Motor shall be heavy duty type with permanently lubricated sealed ball bearings and furnished at the specified voltage and phase.

Product: Fan shall be model SQI-D as manufactured by Loren Cook Company of Springfield, Missouri.



SQI-D Dimension Data

Size	A	B	C	D	Approx. Ship Wt.-Lbs.*
70	10-1/8	9-3/4	11-3/4	13-1/8	38
80	13	13	15-1/8	16	43
90	14-7/16	14-3/8	16-13/16	17-1/2	55
120	17-3/8	17-3/4	20-3/16	20-1/2	175
135	19-1/2	20-1/4	22-11/16	22-5/8	232
150	21-5/8	22-13/16	25-1/4	24-3/4	285
165	23-13/16	25-5/16	27-3/4	26-15/16	305

All dimensions in inches. *Weights in pounds, with motor.

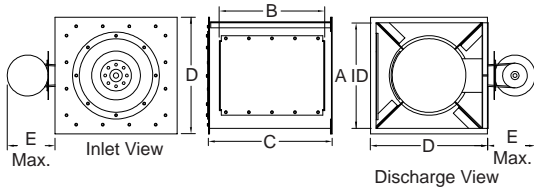


Loren Cook Company certifies that the SQI-D shown herein is licensed to bear the AMCA Seal. The ratings shown are based on tests and procedures performed in accordance with AMCA Publication 211 and AMCA Publication 311 and comply with the requirements of the AMCA Certified Ratings Program.



Type SQI-D is furnished standard with UL 705 & cUL 705 listing (Power Ventilator/ZACT) when furnished with factory supplied motor.

Square Centrifugal Inline Blower Belt Drive



Loren Cook Company certifies that the SQI-B shown herein is licensed to bear the AMCA Seal. The ratings shown are based on tests and procedures performed in accordance with AMCA Publication 211 and AMCA Publication 311 and comply with the requirements of the AMCA Certified Ratings Program.



Type SQI-B is furnished standard with UL 705 & cUL 705 listing (Power Ventilator/ZACT) when furnished with factory supplied motor.

Description: Fan shall be duct mounted, belt driven centrifugal square inline.

Certifications: Fan shall be manufactured at an ISO 9001 certified facility. Fan shall be listed by Underwriters Laboratories (UL 705) and UL listed for Canada (cUL 705). Fan shall bear the AMCA Certified Ratings Seal for Sound and Air Performance.

Construction: The fan shall be of bolted and welded construction utilizing corrosion resistant fasteners. Housing shall be minimum 18 gauge steel with air-flow straightening vanes and integral duct flanges. Adjustable motor plate shall utilize threaded studs for positive belt tensioning. Access door, motor and mounting feet shall be located in the specified position. Unit shall bear an engraved aluminum nameplate. Nameplate shall indicate design CFM, static pressure and maximum fan RPM. Unit shall be shipped in ISTA Certified Transit Tested Packaging.

Coating: Steel fan components shall be Lorenized[®] with an electrostatically applied, baked polyester powder coating. Each component shall be subject to a five stage environmentally friendly wash system, followed by a minimum 2 mil thick baked powder finish. Paint must exceed 1,000 hour salt spray under ASTM B117 test method.

Wheel: Wheel shall be centrifugal backward inclined, constructed of 100 percent aluminum, including a precision machined cast aluminum hub. Wheel inlet shall overlap an aerodynamic aluminum inlet cone to provide maximum performance and efficiency. Wheel shall be balanced in accordance with AMCA Standard 204-96, Balance Quality and Vibration Levels for Fans.

Motor: Motor shall be heavy duty type with permanently lubricated sealed ball bearings and furnished at the specified voltage, phase and enclosure.

Bearings: Bearings shall be designed and individually tested specifically for use in air handling applications. Construction shall be heavy duty regreasable ball type in a cast iron housing selected for a minimum L50 life in excess of 200,000 hours at maximum cataloged operating speed.

Belts and Drives: Belts shall be oil and heat resistant, non-static type. Drives shall be precision machined cast iron type, keyed and securely attached to the wheel and motor shafts. Drives shall be sized for 150% of the installed motor horsepower. The variable pitch drives must be factory set to the specified fan RPM.

Product: Fan shall be model SQI-B as manufactured by Loren Cook Company of Springfield, Missouri.

SQI-B Dimension Data

Size	A	B	C	D	E	Max. Mtr. Frame	Approx. Ship Wt.-Lbs.*
90	14-7/16	14-3/8	16-13/16	17-1/2	14-5/16	143T	125
120	17-3/8	17-3/4	20-3/16	20-1/2	14-5/16	145T	150
135	19-1/2	20-1/4	22-11/16	22-5/8	14-5/16	145T	200
150	21-5/8	22-13/16	25-1/4	24-3/4	14-5/16	145T	250
165	23-13/16	25-5/16	27-3/4	26-15/16	14-5/16	182T	255
180	26	27-13/16	30-1/4	29-1/8	14-5/16	182T	275
195	28-3/16	30-1/8	32-3/4	31-5/16	14-5/16	182T	325
210	30-3/8	32-5/8	35-1/4	33-1/2	14-5/16	182T	375
225	32-1/2	35-3/16	37-13/16	35-5/8	17-1/2	184T	425
245	35-3/8	38-9/16	41-3/16	38-1/2	17-1/2	213T	425
270	39	42-3/4	45-3/8	42-1/8	17-1/2	213T	450
300	43-7/16	47-13/16	50-7/16	46-1/2	17-1/2	213T	475
330	47-5/8	52-13/16	55-7/16	50-3/4	17-1/2	215T	555
365	52-3/4	58-15/16	61-3/8	55-7/8	17-1/2	215T	652
402	58-1/4	61-3/4	64-1/4	61-1/2	17-1/2	215T	750

All dimensions in inches. *Weights in pounds, less motor and drives.

Square Centrifugal High Pressure Inline Blower Belt Drive

Description: Fan shall be duct mounted, belt driven high pressure centrifugal square inline.

Certifications: Fan shall be manufactured at an ISO 9001 certified facility. Fan shall be listed by Underwriters Laboratories (UL 705) and UL listed for Canada (cUL 705).

Construction: The fan shall be of bolted and welded construction utilizing corrosion resistant fasteners. Housing shall be minimum 18 gauge steel with airflow straightening vanes and integral duct flanges. Adjustable motor plate shall utilize threaded studs for positive belt tensioning. Access door and mounting feet shall be located in the specified position. Unit shall bear an engraved aluminum nameplate. Nameplate shall indicate design CFM, static pressure and maximum fan RPM. Unit shall be shipped in ISTA Certified Transit Tested Packaging.

Coating: Steel fan components shall be Lorenized[®] with an electrostatically applied, baked polyester powder coating. Each component shall be subject to a five stage environmentally friendly wash system, followed by a minimum 2 mil thick baked powder finish. Paint must exceed 1,000 hour salt spray under ASTM B117 test method.

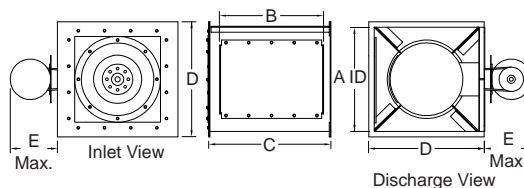
Wheel: Wheel shall be centrifugal backward inclined, constructed of 100 percent aluminum, including a precision machined cast aluminum hub. Wheel inlet shall overlap an aerodynamic aluminum inlet cone to provide maximum performance and efficiency. Wheel shall be balanced in accordance with AMCA Standard 204-96, Balance Quality and Vibration Levels for Fans.

Motor: Motor shall be heavy duty type with permanently lubricated sealed ball bearings and furnished at the specified voltage, phase and enclosure.

Bearings: Bearings shall be designed and individually tested specifically for use in air handling applications. Construction shall be heavy duty regreaseable ball type in a cast iron housing selected for a minimum L50 life in excess of 200,000 hours at maximum cataloged operating speed.

Belts and Drives: Belts shall be oil and heat resistant, non-static type. Drives shall be precision machined cast iron type, keyed and securely attached to the wheel and motor shafts. Drives shall be sized for 150% of the installed motor horsepower. The variable pitch motor drive must be factory set to the specified fan RPM.

Product: Fan shall be model SQI-HP as manufactured by Loren Cook Company of Springfield, Missouri.



Type SQI-HP is furnished standard with UL 705 & cUL 705 listing (Power Ventilator/ZACT) when furnished with factory supplied motor.

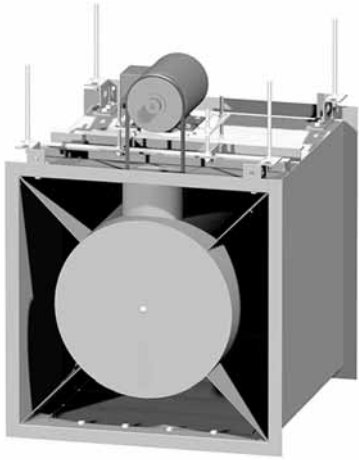
SQI-HP Dimension Data

Size	A	B	C	D	E	Max. Mtr. Frame	Approx. Ship Wt.-Lbs*.
135	19-1/2	20-1/4	22-11/16	22-5/8	14-5/16	145T	200
150	21-5/8	22-13/16	25-1/4	24-3/4	14-5/16	145T	250
165	23-13/16	25-5/16	27-3/4	26-15/16	14-5/16	182T	255
180	26	27-13/16	30-1/4	29-1/8	14-5/16	182T	275
195	28-3/16	30-1/8	32-3/4	31-5/16	14-5/16	182T	325
210	30-3/8	32-5/8	35-1/4	33-1/2	14-5/16	182T	375
225	32-1/2	35-3/16	37-13/16	35-5/8	17-1/2	184T	425
245	35-3/8	38-9/16	41-3/16	38-1/2	17-1/2	213T	425
270	39	42-3/4	45-3/8	42-1/8	17-1/2	213T	450
300	43-7/16	47-13/16	50-7/16	46-1/2	17-1/2	213T	475
330	47-5/8	52-13/16	55-7/16	50-3/4	17-1/2	215T	555
365	52-3/4	58-15/16	61-3/8	55-7/8	17-1/2	215T	652
402	58-1/4	61-3/4	64-1/4	61-1/2	17-1/2	254T	750

All dimensions in inches. *Weights in pounds, less motor and drives.

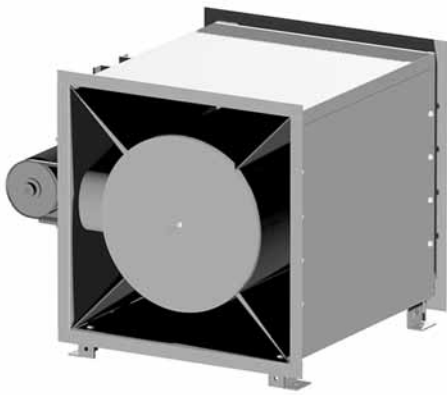
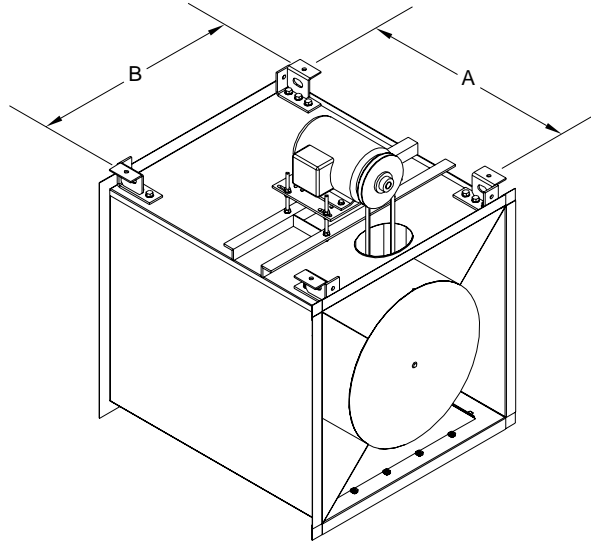
Installation

The SQI is equipped with factory installed mounting brackets for a wide range of options. The mounting bracket design allows for use with vibration isolators. All mounting configurations are viewed facing the discharge of the fan.



Horizontal Ceiling

Specify access door at 3:00, 6:00 or 9:00 position.



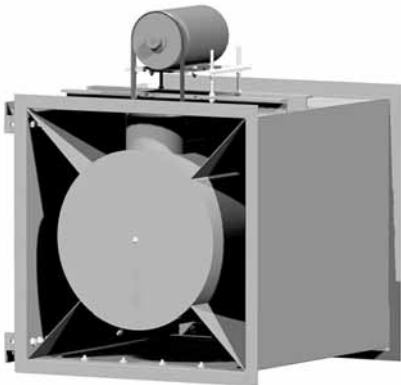
Horizontal Floor

Motor and Access should not be placed at 6:00 position.

Dimension Data

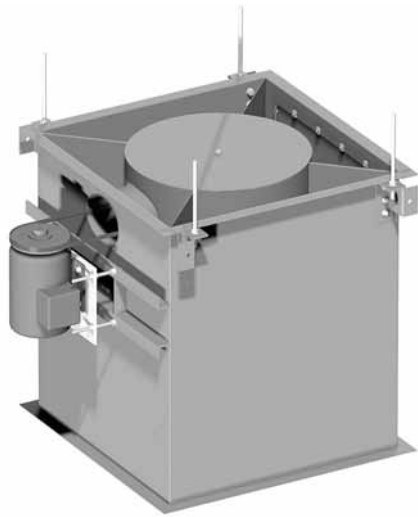
Size	A	B
70	8-15/16	9-1/4
80	12-3/16	12-1/8
90	13-15/16	13-1/2
120	17-5/16	16-7/16
135	18-9/16	19-13/16
150	20-7/8	20-11/16
165	23-3/8	22-7/8
180	25-7/8	25-1/16
195	28-3/8	27-1/4
210	30-7/8	29-1/2
225	33-7/16	31-5/8
245	36-13/16	34-1/2
270	41	38-1/8
300	46-1/16	42-9/16
330	51-1/16	46-3/4
365	57	51-7/8
402	59-7/8	57-1/2

All dimensions in inches.

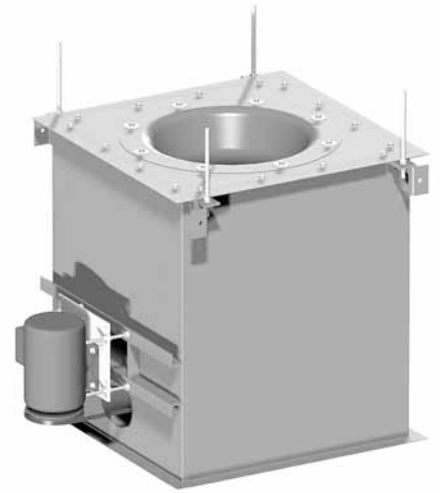


Wall Mount

Specify wall position at 3:00, 9:00 or vertical wall mount installation.



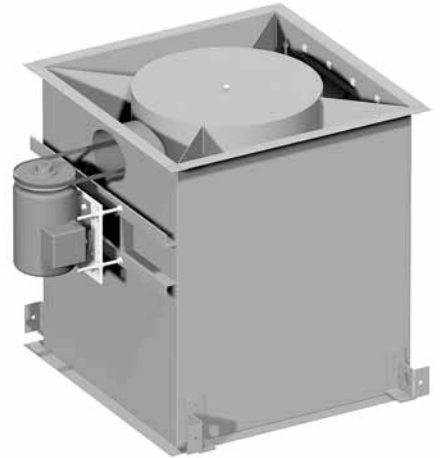
Vertical Ceiling - Upblast



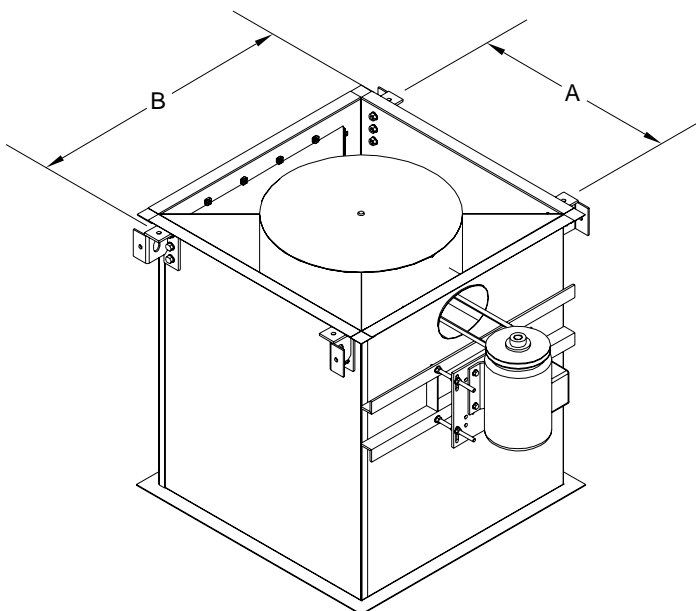
Vertical Ceiling - Downblast



Vertical Floor - Downblast



Vertical Floor - Upblast



Dimension Data

Size	A	B
70	6-3/8	14-13/16
80	9-1/4	17-1/16
90	10-5/8	18-7/16
120	13-9/16	21-3/8
135	15-11/16	23-1/2
150	17-13/16	25-5/8
165	20	27-13/16
180	22-3/16	30
195	24-3/8	32-3/16
210	26-9/16	34-3/8
225	28-11/16	36-1/2
245	31-9/16	39-3/8
270	35-3/16	43
300	39-5/8	47-7/16
330	43-13/16	51-5/8
365	48-15/16	56-3/4
402	54-9/16	62-3/8

All dimensions in inches.

Accessories

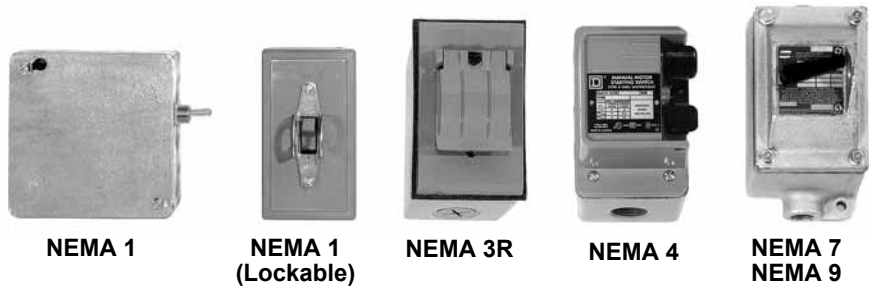
Disconnect Switches

NEMA 1 - Indoor, general purpose.

NEMA 1 (Lockable) - Indoor, general purpose with lockable switch.

NEMA 3R - Exterior mount, weather resistant.

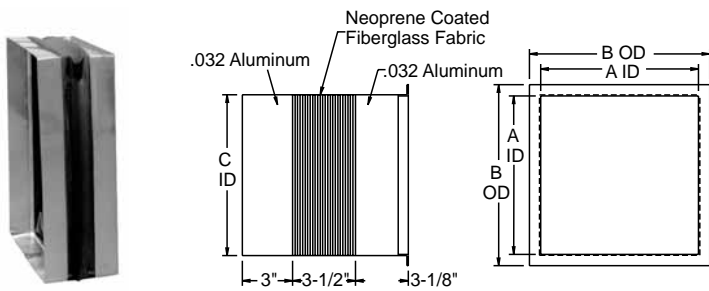
NEMA 7 & NEMA 9 (Lockable) - Indoor, explosion proof.



Cook's FSC is a variable speed controller which can offer excellent energy conservation and lower sound levels when 100 percent of a direct drive fan operating capacity is not required. The FSC employs solid state circuitry for long-life and dependability. The FSC is available only on 115V and 230V shaded pole or permanent split capacitor direct drive motors and is not available on 1140 RPM and 1725 RPM motors. The FSC is normally shipped loose for field installation. Optional pre-wiring is available.



Flexible Duct Connector

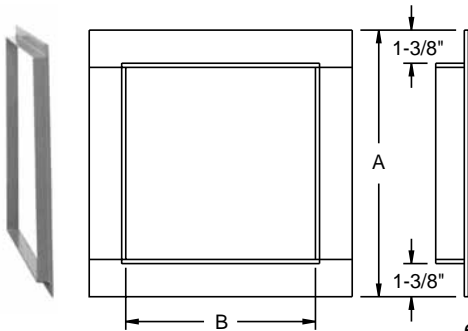


Size	A	B	C	Size	A	B	C
70	10-1/8	13-1/8	10-3/8	210	30-1/2	33-1/2	30-3/4
80	13	16	13-1/4	225	32-5/8	35-5/8	32-7/8
90	14-9/16	17-9/16	14-13/16	245	35-1/2	38-1/2	35-3/4
120	17-1/2	20-1/2	17-3/4	270	39-1/8	42-1/8	39-3/8
135	29-5/8	22-5/8	19-7/8	300	43-1/2	46-1/2	43-3/4
150	21-3/4	24-3/4	22	330	47-3/4	50-3/4	48
165	23-15/16	26-15/16	24-3/16	365	52-7/8	55-7/8	53-1/8
180	26-1/8	29-1/8	26-3/8	402	58-1/2	61-1/2	58-3/4
195	28-15/16	31-5/16	28-9/16				

All dimensions in inches.

Flex Duct Connectors are available for the inlet or outlet of the SQI. These connectors provide a flexible connection between the fan and the attached ductwork. This reduces the transmission of noise and vibration to the ductwork as well as allowing for slight misalignment and easy removal of the fan without disturbing the rigid ductwork. Flex Duct Connectors consist of reinforced neoprene fabric and aluminum bands.

Inlet/Outlet Companion Flange

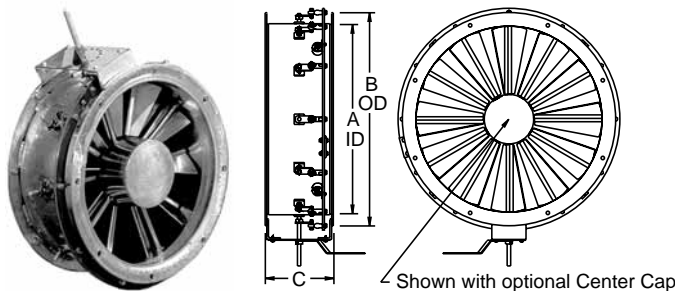


Size	A	B	Size	A	B
70	13-7/8	10-1/8	210	33-1/2	30-1/2
80	16	13	225	35-5/8	32-5/8
90	17-9/16	14-9/16	245	38-1/2	35-1/2
120	20-1/2	17-1/2	270	42-1/2	39-1/2
135	22-5/8	19-5/8	300	46-1/2	43-1/2
150	24-3/4	21-3/4	330	50-3/4	47-3/4
165	26-15/16	23-15/16	365	55-5/8	52-5/8
180	29-1/8	26-1/8	402	61-1/4	58-1/4
195	31-5/16	28-5/16			

All dimensions in inches.

Inlet or Outlet Companion Flanges are attached to the adjacent ductwork to provide an exact mate to the flanged connection on the fan.

External Inlet Vane Damper

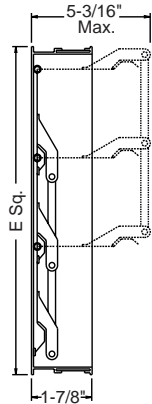


Size	A	B	C	Size	A	B	C
120	12-7/8	15-7/8	14	300	30-1/4	34-1/4	14
135	14-3/8	17-3/8		330	33-1/4	37-1/4	
150	15-7/8	18-7/8		365	36-3/4	40-3/4	
165	17-3/8	20-3/8		402	40-1/2	44-1/2	
180	18-7/8	21-7/8		445	44-3/4	48-3/4	
195	20	23		490	50-1/4	54-1/4	
210	21-3/4	24-3/4		540	55-1/4	59-1/4	
225	23-1/4	26-1/4		600	61-1/4	65-1/4	
245	25-1/4	28-1/4		660	67-1/4	71-1/4	
270	27-1/4	31-1/4		730	74-1/4	78-1/4	

All dimensions in inches. *Weights in pounds.

External Inlet Vane Dampers are used to provide precise air volume control while maintaining maximum efficiency and stable operation at reduced load conditions. Inlet Vane Dampers are available in aluminum construction on sizes 120 through 402. These dampers are factory mounted and provided with an adjustment arm for manual or actuated control (actuator furnished by others). Cataloged performance is based on fans without inlet vane dampers.

Automatic Backdraft Damper

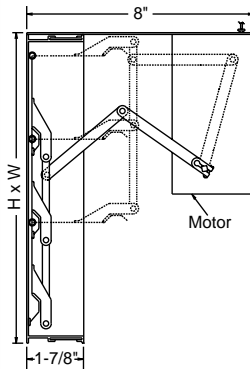


Automatic Backdraft Dampers feature an extruded aluminum frame, aluminum blades and aluminum hinge pins with nylon bushings. These dampers are shipped loose for field installation.

Size	E-Sq.	
	SQI-B/SQI-HP	SQI-D
70	-	9-7/8
80	-	12-3/4
90	14-3/16	14-3/16
120	17-1/8	17-1/8
135	19-3/8	19-3/8
150	21-3/8	21-3/8
165	23-9/16	23-9/16
180	25-3/4	-
195	27-15/16	-
210	30-1/8	-
225	32-1/4	-
245	35-1/8	-
270	38-3/4	-
300	43-1/8	-
330	47-3/8	-
365	52-1/2	-
402	58-1/4	-

All dimensions in inches.

Motorized Backdraft Damper



Motorized Backdraft Dampers feature an extruded aluminum frame, aluminum blades and aluminum hinge pins with nylon bushings. These dampers are shipped loose for field installation.

Size	E-Sq.	
	SQI-B/SQI-HP	SQI-D
70	-	9-7/8
80	-	12-3/4
90	14-3/16	14-3/16
120	17-1/8	17-1/8
135	19-3/8	19-3/8
150	21-3/8	21-3/8
165	23-9/16	23-9/16
180	25-3/4	-
195	27-15/16	-
210	30-1/8	-
225	32-1/4	-
245	35-1/8	-
270	38-3/4	-
300	43-1/8	-
330	47-3/8	-
365	47-3/8	-
402	58-1/4	-

All dimensions in inches.

Weather Proofing

Weather Proofing consists of a weather resistant fan housing and motor cover.

Belt Guard

Belt Guards are available which cover the drive assembly on the top, front and sides. The belt guard is constructed of minimum 18 gauge Lorenized® steel and has an open back which allows inspection and belt tensioning without removing the guard. Belt guards are factory installed.

Inlet Safety Screen

Inlet Safety Screens are used in non-ducted installations to protect personnel and prevent debris from entering the fan. This screen is constructed of 1/2" x 1/2" galvanized welded wire and is factory installed.

Outlet Safety Screen

Outlet Safety Screens are used on non-ducted installations to protect personnel and prevent debris from entering the fan. This screen is constructed of 16 gauge 1/2" x 1" expanded metal complete with mounting frame. This assembly is Lorenized® and factory installed.

Insulated Housing

An acoustical lining is available for the interior of the SQI. This fiberglass duct liner provides a reduction in noise of approximately 3dB in each of the eight octave bands.

Aluminum Construction

All aluminum construction is available on all sizes of the SQI's.

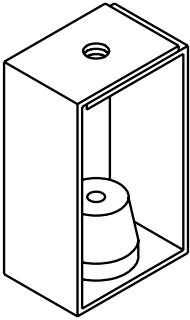
Special Coatings

Special Coatings are available for cosmetic or protective purposes.

Accessories

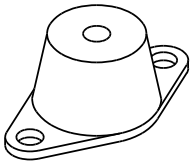
Isolators

Rubber-in-Shear - Ceiling Mounted



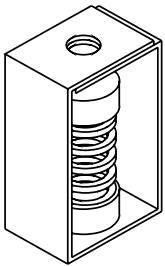
Unit	Rated Load
RC-75	75
RC-125	125
RC-175	175
RC-300	300
RC-450	450
RC-700	700
RC-1100	1100
RC-2000	2000

Rubber-in-Shear - Floor Mounted



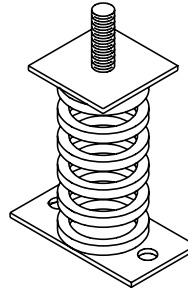
Unit	Rated Load
RF-55	55
RF-120	120
RF-220	220
RF-375	375
RF-600	600
RF-1100	1100
RF-2250	2250

Spring - Ceiling Mounted



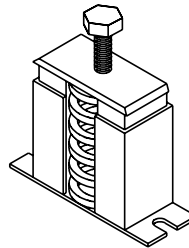
Unit	Rated Load	Spring. Rate (lbs./in.)
SC-35	35	23
SC-70	70	51
SC-125	125	100
SC-245	245	206
SC-370	370	370
SC-500	500	500
SC-1000	1000	870
SC-1700	1700	1700

Free Standing Spring - Floor Mounted



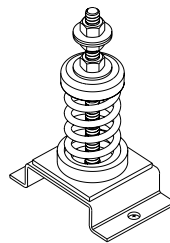
Unit	Rated Load	Spring. Rate (lbs./in.)
SF-70	70	51
SF-120	120	98
SF-220	220	196
SF-370	370	366
SF-625	625	419
SF-1250	1250	1096
SF-1700	1700	1700

Housed Spring - Floor Mounted



Unit	Rated Load	Spring. Rate (lbs./in.)
HF-120	120	98
HF-220	220	196
HF-320	320	302
HF-370	370	366
HF-500	500	500
HF-700	700	700
HF-800	800	588
HF-1000	1000	826
HF-1250	1250	1098
HF-1700	1700	1700

Restrained Spring - Floor Mounted

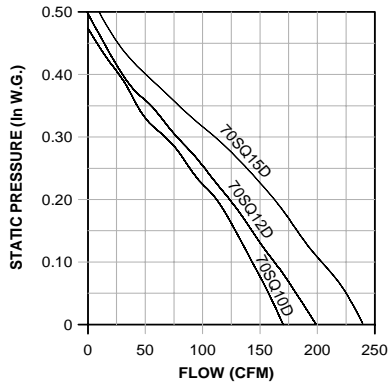


Unit	Rated Load	Spring. Rate (lbs./in.)
RS-70	70	51
RS-120	120	98
RS-220	220	196
RS-370	370	366
RS-625	625	419
RS-1250	1250	1096
RS-1700	1700	1700

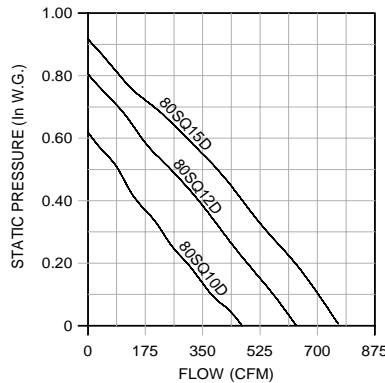
Catalog Number	Max. Watts/BHP	Nominal RPM	Motor H.P.	CFM vs. Static Pressure													
				0" SP	.10" SP	.125" SP	.25" SP	.375" SP	.50" SP	.625" SP	.75" SP	1.00" SP	1.25" SP	1.50" SP	1.75" SP	2.00" SP	
70SQ10D	62W	1050	1/20	170	143	136	89										
70SQ12D	70W	1200	1/20	199	163	153	102										
70SQ15D	120W	1550	1/20	239	202	191	137	63									
80SQ10D	84W	1075	1/6	470	376	358	260	170	93								
80SQ12D	130W	1200	1/6	632	562	542	444	353	249	143							
80SQ15D	235W	1550	1/6	763	699	682	585	485	389	272	135						
90SQ10D	83W	1075	1/6	609	519	494	371	232	139								
90SQ12D	134W	1200	1/6	809	757	742	658	570	460	277							
90SQ15D	240W	1550	1/6	939	897	887	833	776	706	627	420						
120SQ10D	.129	1075	1/6	1177	1086	1065	955	814	463								
*120SQ17D	.472	1725	1/2	1793	1740	1727	1661	1598	1532	1450	1361	1156					
135SQ10D	.17	1075	1/6	1305	1207	1183	1051	948	856	429							
*135SQ17D	.77	1725	3/4	2068	2013	1999	1927	1856	1782	1701	1622	1521	1429	1201			
150SQ10D	.299	1075	1/3	1994	1889	1863	1737	1606	1470	1368	1250						
*150SQ17D	1.090	1725	1	3015	2947	2931	2847	2767	2689	2611	2532	2359	2208	2081	1935		
165SQ10D	.461	1075	1/3	3066	2879	2838	2659	2499	2330	2179	1986						
*165SQ17D	2.163	1725	2	4906	4796	4769	4644	4533	4435	4347	4264	4099	3925	3769	3643	3490	

Performance shown is for Installation Type B: Free inlet, Ducted outlet. Speed (RPM) shown is nominal. Performance is based on actual speed of test. Performance ratings do not include the effects of appurtenances in the airstream. *These fans cannot be used with FSC speed controller.

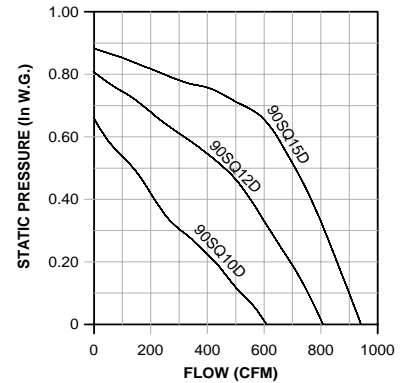
70SQ10D, 70SQ12D, 70SQ15D



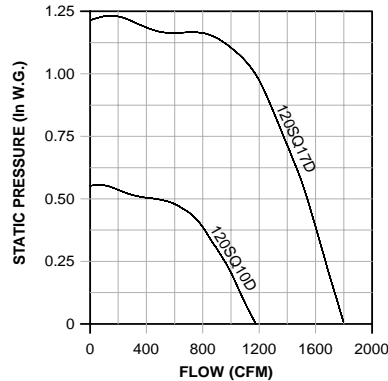
80SQ10D, 80SQ12D, 80SQ15D



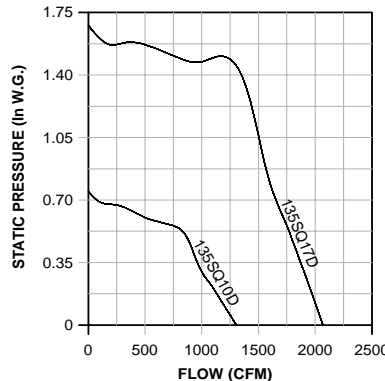
90SQ10D, 90SQ12D, 90SQ15D



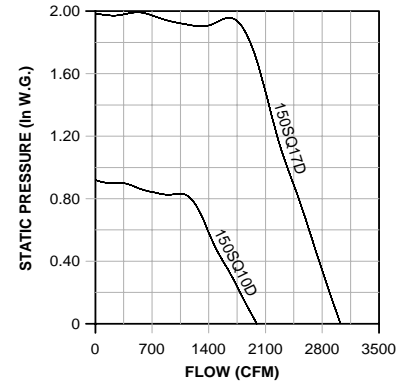
120SQ10D, 120SQ17D



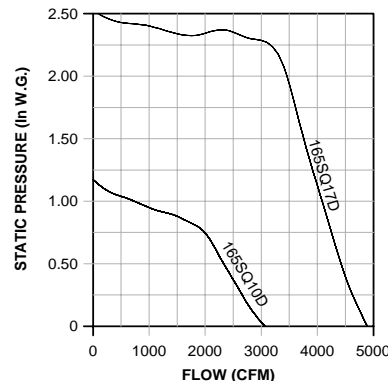
135SQ10D, 135SQ17D



150SQ10D, 150SQ17D



165SQ10D, 165SQ17D



90 SQI-B Data

Wheel Diameter - 10"

Tip Speed (FPM) - 2.62x RPM

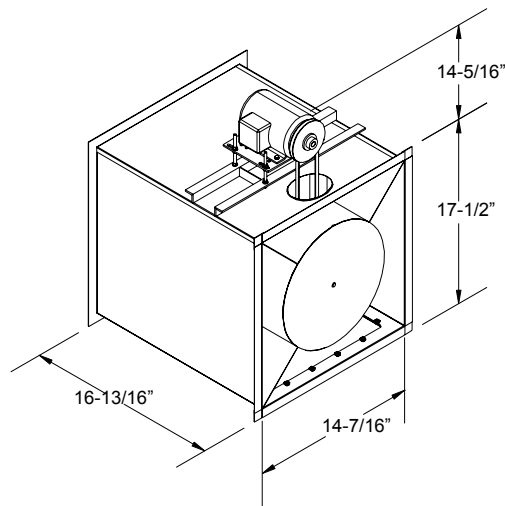
Maximum BHP - 0.035 x (RPM/1000)³

Outlet Area = 1.45 FT²

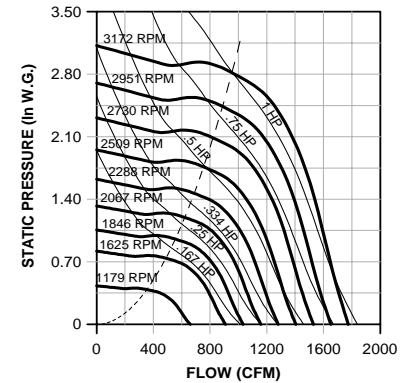
Outlet Velocity = CFM/1.45

1140 RPM motor required below 1250 RPM

3450 RPM motor required above 2950 RPM



SQI-B

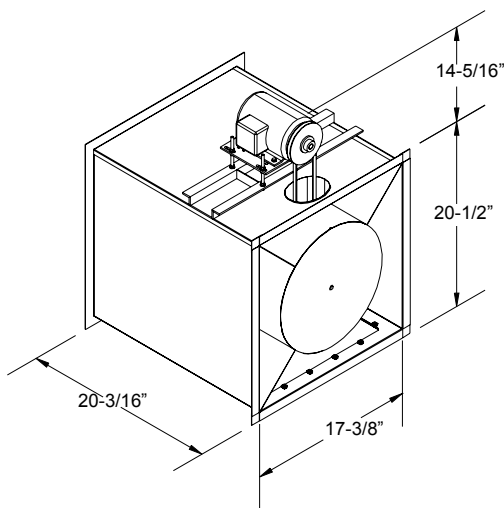
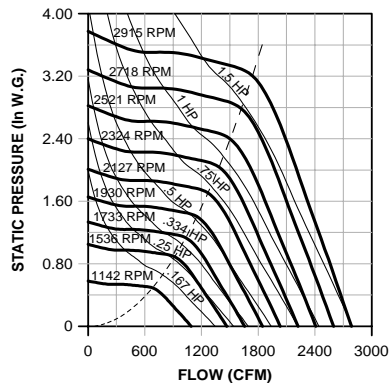


90 SQI-B

CFM	OV	0.125" SP		0.250" SP		0.500" SP		0.750" SP		1.000" SP		1.500" SP		2.000" SP		2.500" SP		3.000" SP	
		RPM	BHP	RPM	BHP	RPM	BHP	RPM	BHP	RPM	BHP	RPM	BHP	RPM	BHP	RPM	BHP	RPM	BHP
600	414	1179	.05	1264	.07	1466	.11	1686	.16	1904	.22								
650	448	1263	.06	1341	.08	1521	.12	1719	.17	1926	.23								
700	483	1348	.08	1421	.10	1581	.14	1762	.19	1951	.25	2316	.39						
750	517	1433	.09	1503	.11	1646	.15	1812	.21	1984	.27	2338	.41						
800	552	1519	.11	1586	.13	1717	.17	1867	.23	2026	.29	2360	.43						
850	587	1605	.13	1670	.15	1790	.20	1928	.25	2075	.31	2386	.46	2693	.62				
900	621	1690	.15	1754	.17	1867	.22	1992	.27	2129	.34	2417	.48	2715	.65	2989	.83		
950	656	1777	.17	1838	.20	1946	.25	2061	.30	2187	.36	2456	.51	2738	.68	3010	.87		
1000	690	1863	.20	1924	.23	2026	.28	2132	.33	2249	.40	2501	.54	2766	.72	3032	.91		
1050	725	1949	.22	2009	.26	2108	.31	2206	.37	2315	.43	2551	.58	2799	.75	3055	.95		
1100	759	2036	.25	2094	.29	2191	.35	2283	.40	2384	.47	2605	.62	2838	.79	3081	.98		
1150	794	2122	.29	2181	.32	2274	.39	2362	.45	2455	.51	2663	.66	2883	.83	3112	1.03		
1200	828	2210	.32	2266	.36	2357	.43	2441	.49	2528	.55	2724	.70	2932	.88	3149	1.07		
1250	863	2297	.36	2351	.40	2442	.47	2523	.54	2606	.60	2787	.75	2985	.93				
1300	897	2383	.40	2437	.45	2526	.52	2605	.59	2682	.65	2853	.80	3042	.98				
1350	932	2471	.45	2524	.49	2611	.57	2688	.64	2763	.71	2923	.86	3101	1.04				
1400	966	2559	.49	2609	.54	2697	.63	2771	.70	2842	.77	2995	.92	3163	1.10				
1450	1001	2647	.55	2696	.60	2782	.68	2854	.76	2925	.84	3068	.99						
1500	1035	2734	.60	2783	.65	2866	.74	2939	.83	3006	.90	3144	1.06						
1550	1070	2822	.66	2869	.71	2952	.81	3023	.89	3089	.97								
1600	1104	2909	.72	2955	.78	3039	.88	3107	.97	3172	1.05								

Performance shown is for Installation Type B: Free inlet, Ducted outlet. Power rating (BHP) does not include drive losses. Performance ratings do not include the effects of appurtenances in the airstream.

SQI-B



Wheel Diameter - 12"
Tip Speed (FPM) - 3.14x RPM
Maximum BHP - 0.073 x (RPM/1000)³
Outlet Area = 2.10 FT²
Outlet Velocity = CFM/2.10
1140 RPM motor required below 1050 RPM

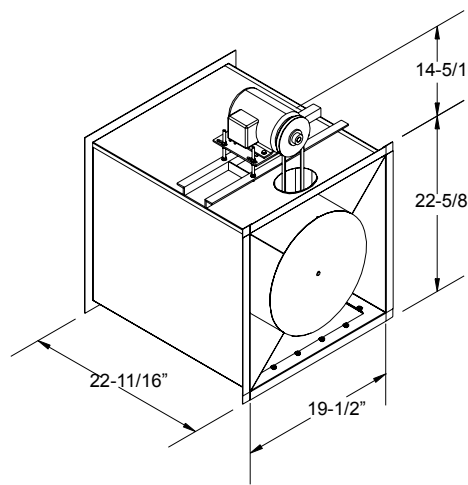
120 SQI-B

CFM	OV	0.125" SP		0.250" SP		0.500" SP		0.750" SP		1.000" SP		1.500" SP		2.000" SP		2.500" SP		3.000" SP	
		RPM	BHP	RPM	BHP	RPM	BHP	RPM	BHP	RPM	BHP	RPM	BHP	RPM	BHP	RPM	BHP	RPM	BHP
1000	476	1142	.10	1226	.12	1369	.18	1501	.25	1640	.32								
1075	511	1214	.11	1295	.15	1433	.21	1557	.27	1681	.35								
1150	547	1288	.14	1364	.17	1498	.23	1616	.30	1730	.38								
1225	583	1361	.16	1434	.19	1564	.26	1677	.33	1785	.41	2009	.59						
1300	619	1436	.19	1505	.22	1631	.30	1741	.37	1843	.45	2049	.63						
1375	654	1511	.22	1576	.25	1699	.33	1806	.41	1904	.49	2097	.67						
1450	690	1585	.25	1649	.29	1767	.37	1871	.45	1967	.54	2149	.72	2338	.93				
1525	726	1662	.29	1721	.33	1835	.41	1938	.50	2030	.58	2205	.77	2380	.99				
1600	761	1738	.33	1795	.37	1905	.46	2005	.55	2096	.64	2264	.83	2429	1.05	2603	1.29		
1675	797	1813	.37	1869	.41	1974	.51	2072	.60	2161	.70	2324	.89	2482	1.11	2644	1.35		
1750	833	1888	.42	1942	.46	2045	.56	2140	.66	2228	.76	2387	.96	2538	1.18	2690	1.42		
1825	869	1965	.47	2018	.52	2116	.62	2209	.72	2295	.83	2450	1.03	2596	1.25	2741	1.50		
1900	904	2043	.52	2092	.57	2187	.68	2277	.79	2362	.90	2515	1.11	2656	1.33	2794	1.58		
1975	940	2120	.58	2166	.64	2259	.75	2347	.86	2430	.97	2580	1.19	2717	1.42				
2050	976	2197	.65	2241	.70	2332	.82	2417	.93	2498	1.05	2646	1.28	2781	1.51				
2125	1011	2274	.72	2318	.78	2404	.89	2487	1.01	2567	1.13	2712	1.37	2845	1.61				
2200	1047	2351	.79	2394	.85	2477	.97	2558	1.09	2635	1.22	2779	1.47						
2275	1083	2428	.87	2470	.93	2551	1.06	2629	1.18	2705	1.31	2846	1.57						
2350	1119	2504	.96	2545	1.02	2624	1.15	2700	1.28	2774	1.41								
2425	1154	2581	1.05	2620	1.11	2697	1.24	2773	1.38	2845	1.52								
2500	1190	2657	1.14	2695	1.21	2772	1.34	2846	1.49	2915	1.62								

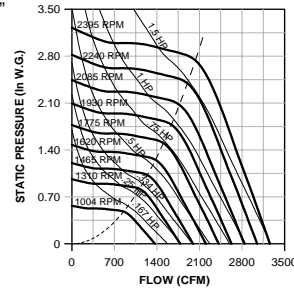
Performance shown is for Installation Type B: Free inlet, Ducted outlet. Power rating (BHP) does not include drive losses. Performance ratings do not include the effects of appurtenances in the airstream.

135 SQI-B/SQI-HP Data

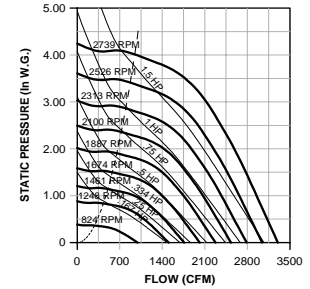
Wheel Diameter - 13.5"
Tip Speed (FPM) - 3.53 x RPM
Maximum BHP -
 SQI - $0.131 \times (\text{RPM}/1000)^3$
 SQI-HP - $.105 \times (\text{RPM}/1000)^3$
Outlet Area = 2.64 FT²
Outlet Velocity = CFM/2.64
1140 RPM motor required below 950 RPM



SQI-B



SQI-HP



135 SQI-B

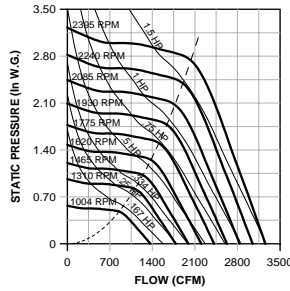
CFM	OV	0.125" SP		0.250" SP		0.500" SP		0.750" SP		1.000" SP		1.500" SP		2.000" SP		2.500" SP		3.000" SP	
		RPM	BHP	RPM	BHP	RPM	BHP	RPM	BHP	RPM	BHP	RPM	BHP	RPM	BHP	RPM	BHP	RPM	BHP
1250	473	1004	.12	1080	.15	1208	.22	1327	.31	1453	.40								
1335	505	1062	.14	1134	.18	1258	.25	1370	.33	1484	.43								
1420	537	1120	.16	1189	.20	1310	.28	1416	.37	1521	.46								
1505	570	1178	.19	1245	.23	1362	.31	1465	.40	1563	.50								
1590	602	1237	.22	1300	.26	1415	.35	1514	.44	1608	.54	1800	.77						
1675	634	1297	.25	1358	.29	1469	.39	1565	.48	1655	.58	1834	.81						
1760	666	1356	.28	1414	.33	1523	.43	1617	.53	1704	.63	1873	.86	2053	1.13				
1845	698	1416	.32	1472	.37	1577	.48	1670	.58	1754	.68	1915	.92	2081	1.19				
1930	731	1477	.36	1529	.41	1631	.52	1723	.63	1805	.74	1960	.98	2116	1.25				
2015	763	1537	.41	1589	.46	1686	.57	1776	.69	1857	.80	2007	1.04	2154	1.31	2310	1.62		
2100	795	1597	.45	1647	.51	1741	.63	1829	.75	1909	.87	2055	1.11	2196	1.39				
2185	827	1657	.51	1705	.57	1798	.69	1883	.81	1962	.94	2104	1.19	2240	1.46				
2270	859	1717	.56	1765	.62	1853	.75	1938	.88	2015	1.01	2154	1.27	2285	1.54				
2355	892	1779	.62	1825	.69	1911	.82	1992	.95	2068	1.09	2205	1.35	2333	1.63				
2440	924	1841	.69	1884	.76	1967	.89	2047	1.03	2122	1.17	2257	1.44						
2525	956	1903	.76	1943	.83	2025	.97	2102	1.11	2176	1.25	2309	1.54						
2610	988	1964	.84	2003	.90	2083	1.05	2158	1.19	2230	1.34	2362	1.64						
2695	1020	2026	.92	2064	.99	2140	1.13	2214	1.28	2285	1.44								
2780	1053	2087	1.00	2124	1.07	2198	1.22	2270	1.38	2339	1.54								
2865	1085	2148	1.09	2185	1.17	2257	1.32	2327	1.48	2395	1.64								

135 SQI-HP

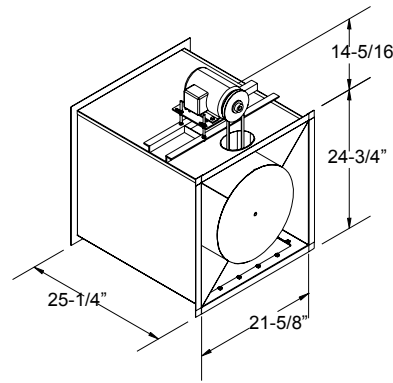
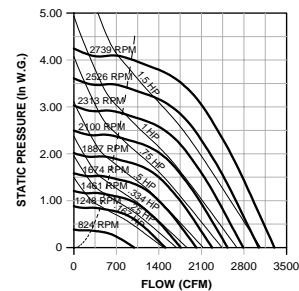
CFM	OV	0.250" SP		0.500" SP		1.000" SP		1.500" SP		2.000" SP		2.500" SP		3.000" SP		4.000" SP		5.000" SP	
		RPM	BHP	RPM	BHP	RPM	BHP	RPM	BHP	RPM	BHP	RPM	BHP	RPM	BHP	RPM	BHP	RPM	BHP
675	255	824	.06	1037	.11	1399	.25	1690	.40	1935	.58								
750	284	867	.07	1064	.12	1413	.26	1702	.43	1946	.61								
825	312	912	.08	1097	.14	1429	.28	1714	.45	1959	.64	2174	.84						
900	340	960	.09	1135	.15	1449	.30	1726	.48	1970	.67	2186	.88	2381	1.10				
975	369	1009	.11	1177	.17	1473	.32	1742	.51	1982	.71	2198	.92	2393	1.15	2739	1.64		
1050	397	1060	.12	1220	.19	1501	.35	1760	.53	1996	.74	2210	.97	2405	1.20				
1125	426	1113	.14	1265	.21	1533	.37	1781	.56	2011	.78	2222	1.01	2417	1.25				
1200	454	1166	.16	1311	.24	1568	.40	1806	.60	2029	.82	2236	1.05	2429	1.30				
1275	482	1221	.18	1359	.26	1607	.44	1834	.63	2050	.86	2252	1.10	2442	1.36				
1350	511	1276	.21	1408	.29	1648	.47	1865	.67	2073	.90	2271	1.15	2457	1.41				
1425	539	1332	.23	1458	.32	1690	.51	1899	.71	2100	.95	2292	1.20	2474	1.47				
1500	568	1388	.26	1510	.35	1734	.55	1936	.76	2128	.99	2315	1.25	2493	1.52				
1575	596	1445	.30	1562	.39	1779	.59	1975	.81	2160	1.05	2341	1.31	2514	1.58				
1650	624	1502	.33	1616	.43	1825	.64	2016	.86	2195	1.10	2369	1.37	2538	1.65				
1725	653	1559	.37	1670	.47	1872	.69	2059	.92	2232	1.17	2400	1.43						
1800	681	1617	.41	1724	.52	1920	.74	2102	.98	2271	1.23	2433	1.50						
1875	710	1675	.45	1780	.57	1968	.80	2147	1.04	2311	1.30	2468	1.57						
1950	738	1733	.50	1835	.62	2018	.85	2192	1.11	2353	1.37	2506	1.65						
2025	767	1792	.55	1891	.67	2069	.92	2238	1.18	2396	1.45								
2100	795	1851	.60	1947	.73	2120	.98	2284	1.25	2440	1.53								
2175	823	1910	.66	2003	.79	2173	1.05	2332	1.33	2485	1.61								

Performance shown is for Installation Type B: Free inlet, Ducted outlet. Power rating (BHP) does not include drive losses. Performance ratings do not include the effects of appurtenances in the airstream. Model SQI-HP is not licensed to bear the AMCA Seal.

SQI-B



SQI-HP



Wheel Diameter - 15"
Tip Speed (FPM) - 3.93 x RPM
Maximum BHP
SQI - 0.224 x (RPM/1000)
SQI-HP - 0.125 x (RPM/1000)³
Outlet Area = 3.25 FT²
Outlet Velocity = CFM/3.25
Reinforced wheel required above 2116 RPM

150 SQI-B

CFM	OV	0.125" SP		0.250" SP		0.500" SP		0.750" SP		1.000" SP		1.500" SP		2.000" SP		2.500" SP		3.000" SP	
		RPM	BHP	RPM	BHP	RPM	BHP	RPM	BHP	RPM	BHP	RPM	BHP	RPM	BHP	RPM	BHP	RPM	BHP
1400	430	770	.10	836	.14	960	.22	1086	.32	1235	.46								
1525	469	827	.13	888	.17	1003	.25	1118	.35	1262	.50								
1650	507	886	.15	941	.20	1050	.29	1155	.39	1295	.55	1498	.81						
1775	546	945	.18	996	.23	1099	.33	1195	.43	1295	.55	1498	.81						
1900	584	1004	.22	1052	.26	1150	.37	1240	.48	1332	.60	1519	.86						
2025	623	1065	.26	1109	.31	1201	.42	1287	.53	1372	.65	1547	.92						
2150	661	1124	.30	1167	.35	1253	.47	1336	.59	1416	.71	1579	.99	1746	1.30				
2275	700	1184	.35	1226	.40	1306	.52	1387	.65	1462	.78	1615	1.07	1771	1.38				
2400	738	1244	.40	1284	.46	1360	.59	1437	.72	1510	.85	1654	1.15	1801	1.47	1951	1.82		
2525	776	1304	.46	1344	.52	1415	.65	1489	.79	1560	.93	1696	1.23	1835	1.56	1976	1.91		
2650	815	1365	.52	1403	.59	1471	.73	1541	.87	1611	1.02	1740	1.32	1872	1.66	2005	2.02		
2775	853	1425	.59	1463	.67	1528	.81	1594	.95	1661	1.11	1786	1.42	1911	1.77	2038	2.13		
2900	892	1485	.67	1523	.75	1585	.89	1648	1.04	1713	1.21	1835	1.54	1953	1.88				
3025	930	1545	.75	1582	.83	1643	.99	1703	1.14	1765	1.31	1884	1.65	1997	2.00				
3150	969	1605	.84	1643	.93	1701	1.09	1758	1.25	1817	1.42	1934	1.78	2042	2.13				
3275	1007	1665	.94	1703	1.03	1760	1.19	1815	1.36	1872	1.54	1985	1.91						
3400	1046	1726	1.04	1763	1.14	1819	1.31	1872	1.48	1925	1.66	2035	2.04						
3525	1084	1786	1.15	1822	1.25	1879	1.44	1928	1.61	1981	1.79	2087	2.19						
3650	1123	1846	1.27	1883	1.38	1938	1.57	1987	1.75	2036	1.93								
3775	1161	1906	1.39	1943	1.51	1997	1.71	2045	1.89	2093	2.09								
3900	1200	1967	1.53	2004	1.66	2057	1.86	2104	2.05										
4025	1238	2028	1.67	2064	1.80	2117	2.02												
4150	1276	2088	1.83	2123	1.96	2177	2.18												
4275	1315	2148	1.98	2184	2.13														
4400	1353	2209	2.16																

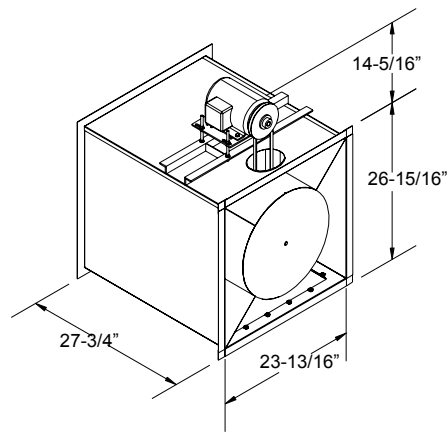
150 SQI-HP

CFM	OV	0.250" SP		0.500" SP		1.000" SP		1.500" SP		2.000" SP		2.500" SP		3.000" SP		4.000" SP		5.000" SP	
		RPM	BHP	RPM	BHP	RPM	BHP	RPM	BHP	RPM	BHP	RPM	BHP	RPM	BHP	RPM	BHP	RPM	BHP
600	184	849	.08	1035	.14	1326	.28	1575	.46	1794	.65								
675	207	904	.09	1081	.16	1364	.31	1600	.49	1814	.69	2007	.91						
750	230	961	.11	1131	.18	1406	.35	1631	.53	1837	.74	2027	.97	2201	1.21				
825	253	1021	.13	1183	.21	1450	.38	1670	.57	1865	.78	2049	1.02	2221	1.27				
900	276	1084	.15	1238	.24	1495	.42	1712	.62	1900	.84	2076	1.08	2243	1.34	2551	1.90		
975	300	1149	.18	1293	.27	1542	.46	1755	.68	1940	.90	2110	1.15	2270	1.41	2571	1.98		
1050	323	1215	.21	1351	.30	1592	.50	1799	.73	1983	.97	2148	1.22	2302	1.48	2594	2.07		
1125	346	1282	.25	1410	.34	1644	.55	1845	.79	2026	1.04	2189	1.30	2340	1.57	2621	2.16		
1200	369	1350	.29	1472	.39	1697	.61	1893	.85	2070	1.11	2231	1.38	2380	1.67				
1275	392	1419	.33	1535	.44	1752	.67	1943	.92	2115	1.18	2275	1.47	2422	1.77				
1350	415	1488	.38	1599	.49	1807	.73	1994	.99	2163	1.27	2319	1.56	2465	1.87				
1425	438	1557	.44	1665	.55	1864	.80	2047	1.07	2212	1.35	2364	1.65	2509	1.98				
1500	461	1627	.50	1732	.62	1922	.87	2101	1.15	2262	1.45	2412	1.75	2553	2.08				
1575	484	1697	.56	1799	.69	1982	.95	2155	1.24	2314	1.55	2461	1.86	2599	2.20				
1650	507	1768	.63	1867	.76	2042	1.04	2211	1.34	2367	1.65	2511	1.98						
1725	530	1839	.71	1935	.85	2104	1.13	2268	1.44	2421	1.77	2562	2.10						
1800	553	1910	.79	2004	.94	2168	1.23	2325	1.55	2475	1.88								
1875	576	1979	.88	2073	1.03	2232	1.34	2383	1.66	2530	2.01								
1950	600	2052	.98	2141	1.14	2298	1.45	2444	1.78	2586	2.14								

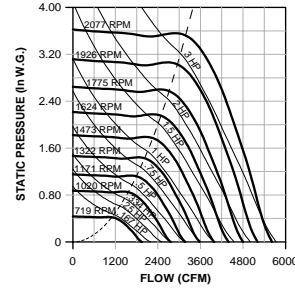
Performance shown is for Installation Type B: Free inlet, Ducted outlet. Power rating (BHP) does not include drive losses. Performance ratings do not include the effects of apertures in the airstream. Model SQI-HP is not licensed to bear the AMCA Seal. **Shaded area indicates reinforced wheel.**

165 SQI-B/SQI-HP Data

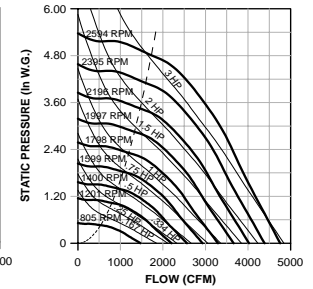
Wheel Diameter - 16.5"
Tip Speed (FPM) - 4.32 x RPM
Maximum BHP
 SQI - 0.360 x (RPM/1000)
 SQI-HP - 0.202 x (RPM/1000)³
Outlet Area = 3.94 FT²
Outlet Velocity = CFM/3.94
Reinforced wheel required above 1833 RPM



SQI-B



SQI-HP



165 SQI-B

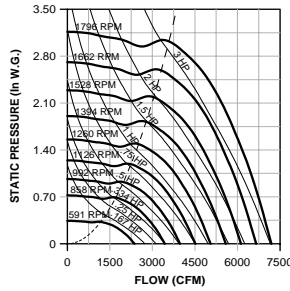
CFM	OV	0.125" SP		0.250" SP		0.500" SP		0.750" SP		1.000" SP		1.500" SP		2.000" SP		2.500" SP		3.000" SP	
		RPM	BHP	RPM	BHP	RPM	BHP	RPM	BHP	RPM	BHP	RPM	BHP	RPM	BHP	RPM	BHP	RPM	BHP
1750	444	719	.13	777	.18	886	.28	997	.40	1111	.53								
1925	488	780	.17	832	.22	934	.33	1033	.45	1135	.58								
2100	533	842	.21	890	.26	985	.38	1075	.51	1167	.64								
2275	577	905	.26	948	.31	1038	.44	1121	.57	1205	.71	1377	1.03						
2450	622	968	.31	1008	.37	1091	.50	1170	.64	1247	.79	1406	1.12						
2625	666	1030	.37	1069	.44	1146	.58	1222	.72	1293	.88	1441	1.22	1590	1.59				
2800	711	1094	.44	1131	.51	1202	.66	1275	.81	1343	.97	1479	1.32	1618	1.70	1761	2.13		
2975	755	1157	.52	1193	.59	1260	.75	1329	.91	1394	1.08	1521	1.43	1652	1.83	1783	2.25		
3150	799	1220	.60	1256	.69	1318	.84	1383	1.02	1447	1.20	1567	1.56	1689	1.96	1813	2.39	1939	2.87
3325	844	1284	.70	1318	.79	1378	.95	1439	1.13	1500	1.32	1615	1.70	1730	2.11	1846	2.55	1964	3.02
3500	888	1347	.81	1381	.90	1438	1.07	1495	1.26	1554	1.45	1665	1.85	1773	2.27	1884	2.72	1995	3.20
3675	933	1410	.92	1444	1.02	1499	1.20	1554	1.40	1609	1.60	1717	2.01	1819	2.44	1924	2.91		
3850	977	1473	1.05	1507	1.16	1560	1.35	1611	1.54	1665	1.75	1770	2.19	1867	2.62	1966	3.10		
4025	1022	1536	1.18	1571	1.30	1622	1.50	1672	1.71	1721	1.92	1823	2.37	1918	2.83	2011	3.30		
4200	1066	1600	1.33	1633	1.46	1684	1.67	1731	1.88	1779	2.10	1877	2.57	1969	3.04				
4375	1110	1663	1.49	1697	1.63	1747	1.85	1792	2.07	1837	2.29	1931	2.78	2022	3.27				
4550	1155	1727	1.67	1760	1.81	1809	2.04	1853	2.27	1897	2.50	1986	3.00						
4725	1199	1790	1.86	1824	2.01	1872	2.25	1915	2.49	1957	2.73	2042	3.23						
4900	1244	1854	2.06	1887	2.22	1935	2.48	1977	2.72	2016	2.96								
5075	1288	1918	2.28	1950	2.44	1998	2.72	2038	2.96	2077	3.22								

165 SQI-HP

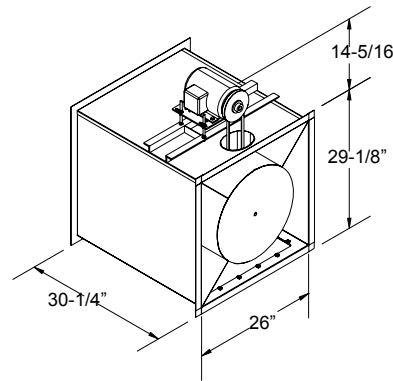
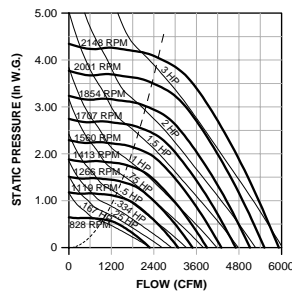
CFM	OV	0.250" SP		0.500" SP		1.000" SP		1.500" SP		2.000" SP		2.500" SP		3.000" SP		4.000" SP		5.000" SP	
		RPM	BHP	RPM	BHP	RPM	BHP	RPM	BHP	RPM	BHP	RPM	BHP	RPM	BHP	RPM	BHP	RPM	BHP
1100	279	805	.10	964	.18	1231	.37	1464	.58										
1250	317	873	.13	1016	.21	1270	.41	1487	.64	1688	.89								
1400	355	944	.16	1073	.25	1314	.46	1520	.69	1710	.96	1888	1.24						
1550	393	1015	.19	1136	.29	1362	.51	1560	.76	1739	1.03	1909	1.33	2070	1.65				
1700	431	1086	.23	1204	.34	1413	.57	1605	.83	1777	1.11	1938	1.43	2091	1.75	2380	2.45		
1850	469	1158	.28	1274	.39	1467	.63	1652	.91	1819	1.20	1973	1.52	2120	1.86	2398	2.59		
2000	507	1231	.33	1344	.45	1526	.71	1702	1.00	1864	1.30	2014	1.63	2155	1.98	2421	2.73		
2150	545	1305	.39	1415	.52	1589	.79	1754	1.09	1912	1.41	2058	1.75	2195	2.11	2451	2.88		
2300	584	1379	.46	1486	.60	1655	.88	1810	1.19	1962	1.53	2105	1.88	2238	2.25	2486	3.04		
2450	622	1455	.54	1557	.68	1724	.98	1869	1.30	2014	1.65	2153	2.02	2284	2.40	2525	3.20		
2600	660	1531	.62	1630	.78	1794	1.09	1932	1.42	2069	1.78	2204	2.17	2331	2.56				
2750	698	1607	.71	1703	.88	1864	1.21	1997	1.55	2126	1.92	2255	2.32	2381	2.73				
2900	736	1684	.82	1775	.99	1935	1.35	2065	1.70	2187	2.07	2310	2.48	2431	2.91				
3050	774	1762	.93	1850	1.12	2005	1.48	2134	1.86	2251	2.24	2368	2.66	2484	3.09				
3200	812	1840	1.06	1924	1.25	2076	1.64	2204	2.03	2317	2.42	2428	2.84	2540	3.30				
3350	850	1917	1.19	2000	1.40	2148	1.80	2274	2.21	2385	2.62	2491	3.05						
3500	888	1996	1.34	2075	1.55	2219	1.97	2345	2.40	2454	2.83	2556	3.27						
3650	926	2076	1.51	2151	1.72	2292	2.16	2415	2.60	2524	3.05								
3800	964	2155	1.68	2228	1.91	2364	2.36	2487	2.83	2594	3.28								
3950	1003	2233	1.87	2304	2.10	2438	2.58	2557	3.05										

Performance shown is for Installation Type B: Free inlet, Ducted outlet. Power rating (BHP) does not include drive losses. Performance ratings do not include the effects of appurtenances in the airstream. Model SQI-HP is not licensed to bear the AMCA Seal. **Shaded area indicates reinforced wheel.**

SQI-B



SQI-HP



Wheel Diameter - 18"
 Tip Speed (FPM) - 4.71 x RPM
 Maximum BHP
 SQI - 0.624 x (RPM/1000)
 SQI-HP - 0.367 x (RPM/1000)³
 Outlet Area = 4.69 FT²
 Outlet Velocity = CFM/4.69
1140 RPM motor required below 620 RPM
Reinforced wheel required above 1610 RPM

180 SQI-B

CFM	OV	0.125" SP		0.250" SP		0.500" SP		0.750" SP		1.000" SP		1.500" SP		2.000" SP		2.500" SP		3.000" SP	
		RPM	BHP	RPM	BHP	RPM	BHP	RPM	BHP	RPM	BHP	RPM	BHP	RPM	BHP	RPM	BHP	RPM	BHP
2100	447	591	.12	659	.18	792	.30	919	.45	1035	.61								
2325	495	640	.15	703	.21	823	.35	941	.50	1052	.67								
2550	543	691	.19	747	.25	859	.40	967	.55	1073	.73	1267	1.12						
2775	591	742	.23	794	.30	897	.45	997	.61	1097	.79	1283	1.20						
3000	639	795	.28	842	.35	938	.51	1032	.68	1124	.87	1303	1.28	1466	1.75				
3225	687	848	.34	891	.41	981	.58	1068	.76	1155	.95	1324	1.37	1483	1.85				
3450	735	902	.41	942	.48	1026	.65	1108	.84	1189	1.05	1349	1.48	1503	1.97	1646	2.50		
3675	783	955	.48	993	.56	1071	.74	1149	.94	1226	1.15	1377	1.60	1524	2.09	1664	2.63	1796	3.21
3900	831	1010	.57	1044	.65	1118	.83	1192	1.04	1264	1.26	1407	1.72	1548	2.23	1684	2.78		
4125	879	1064	.66	1097	.75	1166	.94	1236	1.15	1305	1.38	1440	1.86	1575	2.38	1706	2.93		
4350	927	1118	.76	1150	.86	1214	1.05	1281	1.27	1347	1.50	1476	2.01	1603	2.53	1730	3.10		
4575	975	1173	.88	1203	.97	1264	1.18	1327	1.40	1390	1.64	1513	2.16	1635	2.71	1756	3.29		
4800	1023	1228	1.00	1257	1.11	1314	1.32	1374	1.55	1435	1.79	1553	2.33	1669	2.89				
5025	1071	1284	1.15	1310	1.25	1364	1.46	1422	1.70	1480	1.96	1593	2.50	1704	3.09				
5250	1119	1339	1.30	1364	1.40	1416	1.63	1470	1.87	1526	2.13	1635	2.69	1742	3.30				
5475	1167	1394	1.46	1418	1.57	1468	1.80	1520	2.06	1572	2.32	1678	2.89						
5700	1215	1449	1.64	1473	1.75	1520	1.99	1569	2.25	1619	2.52	1722	3.11						
5925	1263	1504	1.83	1527	1.95	1573	2.20	1620	2.46	1668	2.74								
6150	1311	1559	2.03	1581	2.16	1625	2.41	1670	2.68	1717	2.97								
6375	1359	1613	2.25	1635	2.38	1678	2.65	1722	2.93	1766	3.22								

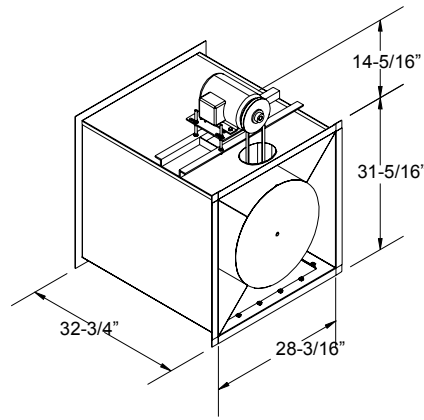
180 SQI-HP

CFM	OV	0.250" SP		0.500" SP		1.000" SP		1.500" SP		2.000" SP		2.500" SP		3.000" SP		4.000" SP		5.000" SP	
		RPM	BHP	RPM	BHP	RPM	BHP	RPM	BHP	RPM	BHP	RPM	BHP	RPM	BHP	RPM	BHP	RPM	BHP
1900	405	828	.20	948	.31	1154	.56	1344	.85	1521	1.18								
2050	437	873	.23	988	.35	1186	.61	1364	.91	1536	1.25	1694	1.61						
2200	469	920	.26	1029	.39	1220	.67	1389	.97	1552	1.31	1708	1.69						
2350	501	968	.30	1071	.44	1256	.73	1418	1.04	1573	1.39	1723	1.77	1865	2.18				
2500	533	1016	.34	1115	.49	1293	.79	1450	1.12	1597	1.47	1740	1.86	1880	2.28				
2650	565	1064	.39	1159	.54	1331	.86	1484	1.20	1625	1.56	1762	1.96	1896	2.38	2148	3.30		
2800	597	1114	.44	1205	.60	1370	.93	1519	1.29	1656	1.66	1786	2.06	1915	2.50				
2950	628	1164	.50	1251	.67	1411	1.01	1555	1.38	1688	1.77	1814	2.18	1937	2.61				
3100	660	1214	.57	1297	.73	1452	1.10	1593	1.48	1722	1.88	1844	2.30	1963	2.74				
3250	692	1265	.64	1345	.81	1494	1.19	1631	1.58	1758	1.99	1877	2.43	1991	2.88				
3400	724	1316	.71	1393	.89	1537	1.28	1671	1.69	1795	2.12	1911	2.56	2021	3.02				
3550	756	1367	.79	1441	.98	1581	1.39	1711	1.81	1832	2.25	1946	2.71	2054	3.18				
3700	788	1418	.88	1490	1.08	1625	1.49	1752	1.93	1870	2.38	1982	2.86						
3850	820	1470	.98	1539	1.18	1670	1.61	1793	2.06	1909	2.53	2018	3.01						
4000	852	1522	1.08	1589	1.29	1716	1.73	1836	2.20	1949	2.68	2056	3.18						
4150	884	1574	1.19	1639	1.40	1762	1.86	1879	2.34	1989	2.84								
4300	916	1626	1.31	1689	1.53	1809	2.00	1922	2.49	2030	3.00								
4450	948	1678	1.43	1739	1.66	1855	2.14	1966	2.65	2072	3.18								
4600	980	1732	1.57	1790	1.80	1903	2.30	2011	2.82										
4750	1012	1785	1.71	1841	1.95	1951	2.46	2056	3.00										

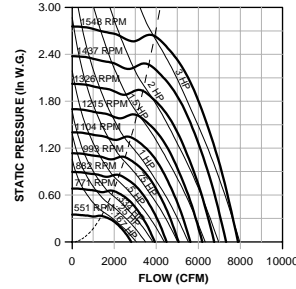
Performance shown is for Installation Type B: Free inlet, Ducted outlet. Power rating (BHP) does not include drive losses. Performance ratings do not include the effects of aperturancs in the airstream. Model SQI-HP is not licensed to bear the AMCA Seal. **Shaded area indicates reinforced wheel.**

195 SQI-B/SQI-HP Data

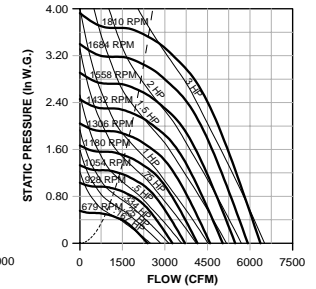
Wheel Diameter - 19.5"
Tip Speed (FPM) - 5.11 x RPM
Maximum BHP
 SQI - 0.931 x (RPM/1000)
 SQI-HP - 0.573 x (RPM/1000)³
Outlet Area = 5.52 FT²
Outlet Velocity = CFM/5.52
1140 RPM motor required below 585 RPM
Reinforced wheel required above 1429 RPM



SQI-B



SQI-HP



195 SQI-B

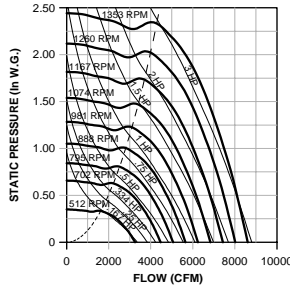
CFM	OV	0.125" SP		0.250" SP		0.500" SP		0.750" SP		1.000" SP		1.500" SP		2.000" SP		2.500" SP		3.000" SP	
		RPM	BHP	RPM	BHP	RPM	BHP	RPM	BHP	RPM	BHP	RPM	BHP	RPM	BHP	RPM	BHP	RPM	BHP
2500	452	551	.15	614	.21	735	.36	851	.53	958	.73								
2750	498	595	.18	652	.25	762	.41	871	.59	973	.79								
3000	543	639	.22	691	.30	794	.47	894	.65	991	.85	1170	1.32						
3250	588	684	.27	732	.35	827	.52	920	.72	1012	.93	1184	1.40						
3500	634	730	.33	774	.41	863	.59	950	.80	1035	1.01	1201	1.50	1353	2.04				
3750	679	776	.39	817	.48	901	.67	982	.88	1062	1.10	1220	1.60	1367	2.16				
4000	724	823	.46	861	.55	939	.75	1016	.97	1092	1.21	1241	1.71	1384	2.28	1517	2.91		
4250	769	870	.54	905	.64	979	.84	1052	1.07	1123	1.32	1264	1.84	1403	2.42	1532	3.05		
4500	815	917	.63	950	.73	1019	.94	1089	1.18	1157	1.44	1291	1.98	1423	2.57	1550	3.21		
4750	860	965	.74	996	.84	1060	1.05	1127	1.30	1192	1.57	1319	2.12	1445	2.72				
5000	905	1012	.84	1042	.95	1103	1.18	1166	1.43	1228	1.70	1349	2.28	1470	2.90				
5250	951	1060	.97	1088	1.08	1146	1.31	1206	1.57	1265	1.85	1382	2.45	1496	3.08				
5500	996	1108	1.10	1135	1.22	1189	1.46	1246	1.72	1304	2.01	1415	2.63	1525	3.28				
5750	1041	1156	1.25	1182	1.37	1234	1.62	1288	1.89	1343	2.19	1450	2.82						
6000	1086	1205	1.41	1228	1.53	1278	1.79	1330	2.07	1382	2.37	1486	3.02						
6250	1132	1253	1.58	1276	1.71	1323	1.98	1372	2.26	1423	2.57	1523	3.24						
6500	1177	1301	1.77	1324	1.90	1368	2.17	1416	2.47	1464	2.79								
6750	1222	1349	1.97	1371	2.11	1415	2.40	1459	2.69	1505	3.01								
7000	1268	1397	2.18	1418	2.33	1461	2.63	1504	2.94	1548	3.26								
7250	1313	1445	2.41	1466	2.56	1506	2.86	1547	3.18										

195 SQI-HP

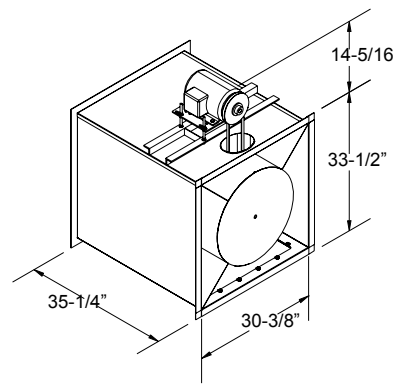
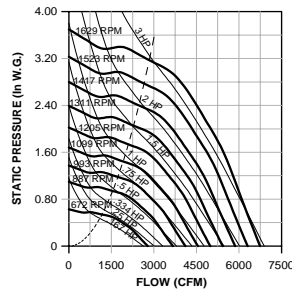
CFM	OV	0.250" SP		0.500" SP		1.000" SP		1.500" SP		2.000" SP		2.500" SP		3.000" SP		4.000" SP		5.000" SP	
		RPM	BHP	RPM	BHP	RPM	BHP	RPM	BHP	RPM	BHP	RPM	BHP	RPM	BHP	RPM	BHP	RPM	BHP
1900	344	679	.17	797	.29	1019	.57	1204	.89	1369	1.24								
2100	380	725	.21	834	.33	1041	.62	1223	.96	1383	1.33								
2300	416	773	.25	875	.38	1066	.67	1245	1.03	1400	1.42	1543	1.83						
2500	452	822	.30	918	.44	1095	.74	1267	1.11	1420	1.51	1559	1.94	1688	2.39				
2700	489	872	.35	963	.50	1129	.82	1290	1.19	1442	1.61	1578	2.06	1704	2.53				
2900	525	923	.41	1009	.57	1166	.91	1317	1.28	1464	1.71	1599	2.17	1723	2.66				
3100	561	974	.48	1056	.64	1206	1.00	1348	1.39	1488	1.82	1621	2.30	1744	2.80				
3300	597	1026	.55	1105	.73	1247	1.11	1382	1.51	1514	1.94	1643	2.42	1765	2.95				
3500	634	1079	.64	1154	.82	1290	1.22	1418	1.63	1543	2.07	1667	2.56	1787	3.09				
3700	670	1132	.73	1203	.92	1335	1.34	1457	1.77	1576	2.23	1694	2.72	1810	3.25				
3900	706	1185	.83	1254	1.04	1380	1.46	1498	1.92	1611	2.39	1723	2.88						
4100	742	1239	.95	1305	1.16	1426	1.60	1540	2.08	1649	2.57	1756	3.08						
4300	778	1293	1.07	1356	1.29	1473	1.75	1583	2.24	1688	2.76	1791	3.28						
4500	815	1346	1.21	1408	1.44	1522	1.91	1627	2.42	1729	2.96								
4700	851	1401	1.36	1460	1.59	1570	2.09	1672	2.61	1771	3.16								
4900	887	1456	1.52	1512	1.76	1619	2.27	1719	2.81										

Performance shown is for Installation Type B: Free inlet, Ducted outlet. Power rating (BHP) does not include drive losses. Performance ratings do not include the effects of appurtenances in the airstream. Model SQI-HP is not licensed to bear the AMCA Seal. **Shaded area indicates reinforced wheel.**

SQI-B



SQI-HP



Wheel Diameter - 21"
 Tip Speed (FPM) - 5.50 x RPM
 Maximum BHP
 SQI - 1.35 x (RPM/1000)
 SQI-HP - 0.77 x (RPM/1000)³
 Outlet Area = 6.41 FT²
 Outlet Velocity = CFM/6.41
 1140 RPM motor required below 540 RPM
 Reinforced wheel required above 1277 RPM

210 SQI-B

CFM	OV	0.125" SP		0.250" SP		0.500" SP		0.750" SP		1.000" SP		1.500" SP		2.000" SP		2.500" SP		3.000" SP	
		RPM	BHP	RPM	BHP	RPM	BHP	RPM	BHP	RPM	BHP	RPM	BHP	RPM	BHP	RPM	BHP	RPM	BHP
2900	452	512	.17	570	.25	682	.42	791	.62	889	.84								
3150	491	547	.21	600	.28	704	.47	806	.67	902	.90								
3400	530	582	.25	632	.33	729	.52	824	.73	916	.97								
3650	569	618	.29	664	.38	755	.58	844	.80	932	1.04	1094	1.59						
3900	608	655	.34	697	.43	783	.64	867	.87	949	1.12	1107	1.68						
4150	647	691	.40	731	.50	812	.71	891	.95	969	1.21	1121	1.77	1260	2.41				
4400	686	729	.47	765	.56	842	.79	917	1.04	991	1.30	1136	1.88	1272	2.53				
4650	725	766	.54	801	.64	873	.87	945	1.13	1015	1.41	1153	1.99	1286	2.65				
4900	764	803	.62	836	.73	905	.96	973	1.23	1040	1.51	1172	2.12	1301	2.79				
5150	803	841	.71	872	.82	937	1.06	1003	1.34	1067	1.63	1193	2.25	1317	2.93				
5400	842	880	.81	909	.92	970	1.17	1033	1.45	1094	1.76	1215	2.40	1334	3.09				
5650	881	918	.91	946	1.03	1004	1.29	1064	1.58	1123	1.89	1238	2.55	1353	3.26				
5900	920	955	1.03	982	1.15	1038	1.42	1096	1.72	1153	2.04	1263	2.71						
6150	959	993	1.15	1019	1.28	1073	1.56	1128	1.86	1183	2.19	1289	2.88						
6400	998	1032	1.29	1057	1.42	1107	1.70	1160	2.01	1213	2.35	1316	3.06						
6650	1037	1071	1.44	1095	1.58	1143	1.87	1193	2.18	1245	2.52	1344	3.25						
6900	1076	1110	1.60	1132	1.73	1178	2.03	1227	2.36	1276	2.70								
7150	1115	1148	1.77	1169	1.90	1215	2.22	1261	2.55	1309	2.90								
7400	1154	1187	1.95	1208	2.10	1251	2.41	1295	2.75	1341	3.11								
7650	1193	1226	2.14	1246	2.29	1287	2.62	1330	2.96										

210 SQI-HP

CFM	OV	0.250" SP		0.500" SP		1.000" SP		1.500" SP		2.000" SP		2.500" SP		3.000" SP		4.000" SP		5.000" SP	
		RPM	BHP	RPM	BHP	RPM	BHP	RPM	BHP	RPM	BHP	RPM	BHP	RPM	BHP	RPM	BHP	RPM	BHP
2300	358	672	.23	782	.37	967	.69	1140	1.07										
2450	382	703	.26	806	.40	985	.73	1150	1.12	1305	1.55								
2600	405	734	.29	831	.44	1005	.78	1162	1.18	1313	1.62								
2750	429	767	.33	856	.48	1027	.83	1176	1.23	1322	1.69	1459	2.17						
2900	452	799	.37	883	.53	1050	.89	1194	1.30	1333	1.76	1468	2.26	1593	2.78				
3050	475	831	.41	911	.58	1073	.95	1213	1.37	1346	1.83	1477	2.34	1601	2.88				
3200	499	865	.46	940	.63	1097	1.02	1233	1.44	1361	1.91	1487	2.43	1609	2.98				
3350	522	898	.52	971	.69	1121	1.08	1255	1.52	1378	2.00	1499	2.52	1618	3.08				
3500	546	931	.57	1002	.75	1145	1.15	1278	1.61	1397	2.09	1513	2.62	1629	3.19				
3650	569	965	.63	1033	.82	1170	1.23	1301	1.70	1418	2.19	1530	2.73						
3800	592	998	.70	1065	.89	1195	1.31	1325	1.79	1439	2.30	1548	2.84						
3950	616	1032	.77	1097	.97	1221	1.40	1349	1.89	1462	2.41	1567	2.96						
4100	639	1066	.84	1130	1.05	1248	1.49	1373	1.99	1484	2.52	1588	3.08						
4250	663	1100	.92	1162	1.14	1277	1.59	1397	2.10	1508	2.64	1609	3.21						
4400	686	1134	1.00	1195	1.23	1305	1.69	1421	2.21	1532	2.77								
4550	709	1169	1.10	1228	1.33	1335	1.81	1446	2.33	1555	2.89								
4700	733	1203	1.19	1261	1.43	1365	1.92	1472	2.45	1580	3.03								
4850	756	1238	1.30	1294	1.54	1396	2.04	1498	2.58	1604	3.17								
5000	780	1272	1.40	1328	1.65	1427	2.17	1525	2.72										

Performance shown is for Installation Type B: Free inlet, Ducted outlet. Power rating (BHP) does not include drive losses. Performance ratings do not include the effects of appurtenances in the airstream. Model SQI-HP is not licensed to bear the AMCA Seal. **Shaded area indicates reinforced wheel.**

225 SQI-B/SQI-HP Data

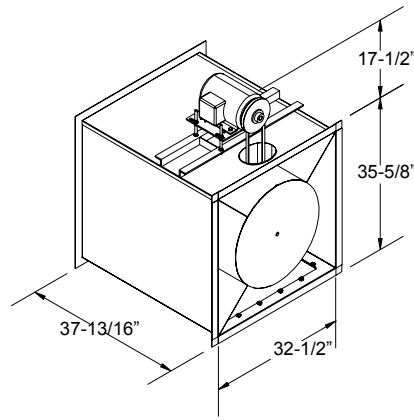
Wheel Diameter - 22.5"
 Tip Speed (FPM) - 5.89 x RPM
 Maximum BHP

SQI - 1.90 x (RPM/1000)
 SQI-HP - 1.13 x (RPM/1000)³

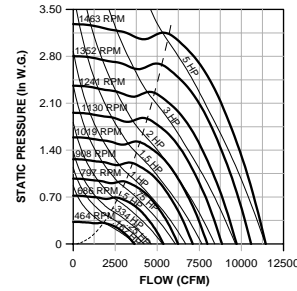
Outlet Area = 7.34 FT²
 Outlet Velocity = CFM/7.34

1140 RPM motor required below
 540 RPM

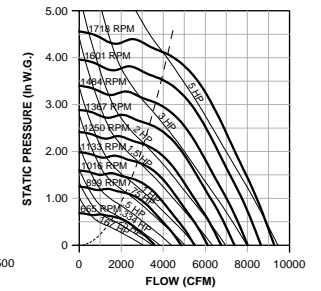
Reinforced wheel required above:
 SQI - 1152 RPM
 SQI-HP - 1500 RPM



SQI-B



SQI-HP



225 SQI-B

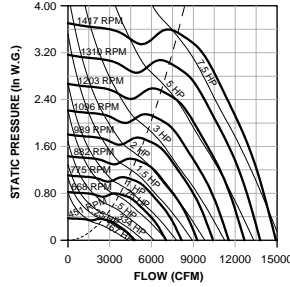
CFM	OV	0.125" SP		0.250" SP		0.500" SP		0.750" SP		1.000" SP		1.500" SP		2.000" SP		2.500" SP		3.000" SP	
		RPM	BHP	RPM	BHP	RPM	BHP	RPM	BHP	RPM	BHP	RPM	BHP	RPM	BHP	RPM	BHP	RPM	BHP
3200	435	464	.18	520	.27	628	.46	732	.69										
3600	490	508	.23	559	.33	656	.53	751	.77	840	1.03								
4000	544	555	.30	600	.40	688	.62	775	.87	859	1.14	1014	1.75						
4400	599	602	.38	642	.48	724	.72	803	.98	881	1.26	1029	1.89						
4800	653	650	.47	686	.58	761	.83	834	1.10	907	1.40	1048	2.05	1177	2.78				
5200	708	698	.58	731	.69	801	.95	869	1.25	936	1.55	1068	2.22	1194	2.98	1310	3.79		
5600	762	747	.70	777	.82	842	1.10	906	1.40	968	1.73	1092	2.42	1212	3.18	1325	4.03		
6000	817	796	.85	825	.98	884	1.26	944	1.57	1003	1.92	1119	2.64	1233	3.42	1343	4.28	1446	5.20
6400	871	846	1.01	872	1.15	927	1.44	984	1.77	1040	2.13	1149	2.88	1257	3.68	1363	4.56	1463	5.49
6800	926	895	1.19	920	1.34	972	1.65	1025	1.98	1078	2.35	1181	3.14	1283	3.96	1384	4.85		
7200	980	945	1.40	969	1.55	1017	1.87	1067	2.22	1117	2.60	1215	3.41	1312	4.27	1408	5.18		
7600	1035	995	1.63	1017	1.79	1063	2.12	1110	2.48	1158	2.87	1251	3.71	1343	4.60				
8000	1089	1046	1.89	1066	2.05	1109	2.39	1154	2.77	1199	3.17	1289	4.04	1376	4.96				
8400	1144	1096	2.17	1115	2.33	1156	2.69	1198	3.08	1241	3.49	1327	4.38	1411	5.34				
8800	1198	1146	2.47	1165	2.65	1203	3.02	1243	3.42	1284	3.84	1367	4.76						
9200	1253	1196	2.81	1215	3.00	1252	3.39	1289	3.79	1328	4.22	1407	5.16						
9600	1307	1246	3.17	1264	3.36	1299	3.76	1335	4.19	1372	4.63								
10000	1362	1295	3.55	1313	3.76	1348	4.19	1382	4.62	1417	5.08								
10400	1416	1346	3.98	1363	4.20	1397	4.64	1429	5.08										

225 SQI-HP

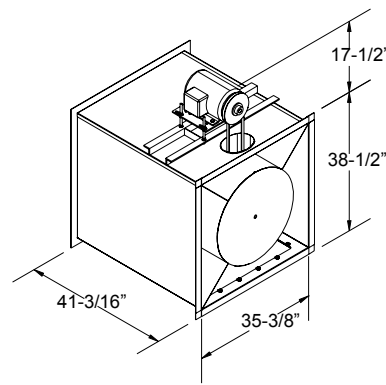
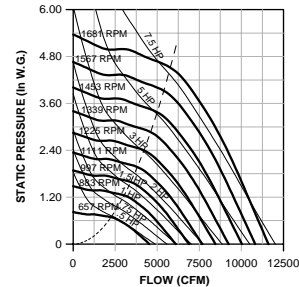
CFM	OV	0.250" SP		0.500" SP		1.000" SP		1.500" SP		2.000" SP		2.500" SP		3.000" SP		4.000" SP		5.000" SP	
		RPM	BHP	RPM	BHP	RPM	BHP	RPM	BHP	RPM	BHP	RPM	BHP	RPM	BHP	RPM	BHP	RPM	BHP
3000	408	665	.32	757	.49	917	.87	1067	1.31	1206	1.79								
3250	442	703	.37	793	.55	943	.95	1085	1.41	1219	1.91								
3500	476	742	.43	829	.63	973	1.05	1106	1.51	1234	2.03	1355	2.58						
3750	510	782	.50	866	.71	1004	1.15	1130	1.63	1253	2.17	1369	2.73	1481	3.34				
4000	544	823	.58	904	.80	1037	1.26	1157	1.76	1274	2.31	1386	2.90	1494	3.52				
4250	579	864	.66	941	.89	1072	1.38	1187	1.90	1297	2.46	1405	3.07	1509	3.70	1706	5.07		
4500	613	906	.76	979	1.00	1108	1.52	1218	2.05	1323	2.63	1426	3.24	1527	3.90	1718	5.29		
4750	647	949	.87	1018	1.12	1144	1.66	1250	2.21	1352	2.81	1450	3.44	1547	4.11				
5000	681	992	.98	1057	1.24	1180	1.80	1284	2.39	1382	3.00	1476	3.64	1569	4.33				
5250	715	1035	1.11	1097	1.38	1217	1.96	1319	2.57	1413	3.20	1504	3.87	1593	4.56				
5500	749	1079	1.25	1138	1.53	1254	2.14	1355	2.77	1446	3.42	1534	4.10	1619	4.81				
5750	783	1123	1.40	1178	1.69	1292	2.32	1391	2.98	1480	3.66	1565	4.35	1647	5.08				
6000	817	1166	1.56	1220	1.87	1329	2.52	1427	3.20	1514	3.90	1597	4.62	1677	5.36				
6250	851	1211	1.75	1262	2.06	1367	2.73	1464	3.43	1550	4.16	1630	4.90						
6500	885	1256	1.94	1304	2.26	1405	2.95	1501	3.68	1586	4.43	1664	5.19						
6750	919	1301	2.15	1347	2.48	1444	3.19	1538	3.94	1622	4.71	1699	5.50						
7000	953	1345	2.37	1390	2.71	1483	3.44	1576	4.22	1659	5.02								
7250	987	1389	2.60	1433	2.95	1523	3.71	1613	4.51	1696	5.34								
7500	1021	1433	2.85	1477	3.22	1563	3.99	1651	4.82										

Performance shown is for Installation Type B: Free inlet, Ducted outlet. Power rating (BHP) does not include drive losses. Performance ratings do not include the effects of appurtenances in the airstream. Model SQI-HP is not licensed to bear the AMCA Seal. **Shaded area indicates reinforced wheel.**

SQI-B



SQI-HP



Wheel Diameter - 24.5"
 Tip Speed (FPM) - 6.41 x RPM
 Maximum BHP
 SQI - 2.99 x (RPM/1000)
 SQI-HP - 1.74 x (RPM/1000)³
 Outlet Area = 8.69 FT²
 Outlet Velocity = CFM/8.69
 1140 RPM motor required below 530 RPM
 Reinforced wheel required above:
 SQI - 1015 RPM
 SQI-HP - 1185 RPM

245 SQI-B

CFM	OV	0.125" SP		0.250" SP		0.500" SP		0.750" SP		1.000" SP		1.500" SP		2.000" SP		2.500" SP		3.000" SP	
		RPM	BHP	RPM	BHP	RPM	BHP	RPM	BHP	RPM	BHP	RPM	BHP	RPM	BHP	RPM	BHP	RPM	BHP
4300	494	451	.26	499	.37	587	.60	671	.86	756	1.17								
4800	552	494	.34	536	.45	619	.71	692	.98	770	1.29								
5300	609	538	.43	574	.55	652	.83	721	1.12	788	1.43	927	2.17						
5800	667	582	.53	615	.66	686	.95	753	1.28	814	1.60	940	2.34						
6300	724	628	.66	657	.80	721	1.10	786	1.45	844	1.79	957	2.54	1075	3.42				
6800	782	673	.81	700	.95	758	1.27	819	1.63	876	2.01	980	2.78	1089	3.65	1195	4.64		
7300	840	719	.98	743	1.13	796	1.46	854	1.84	909	2.24	1008	3.05	1106	3.92	1209	4.92		
7800	897	765	1.17	788	1.33	836	1.68	890	2.07	943	2.49	1039	3.35	1129	4.24	1223	5.22	1319	6.33
8300	955	811	1.38	832	1.55	877	1.92	927	2.33	977	2.76	1071	3.67	1157	4.60	1242	5.58	1333	6.69
8800	1012	858	1.63	878	1.81	919	2.19	965	2.61	1012	3.05	1104	4.01	1187	4.99	1266	5.99	1349	7.08
9300	1070	905	1.91	922	2.08	962	2.49	1004	2.92	1049	3.38	1137	4.37	1219	5.41	1294	6.44	1370	7.53
9800	1127	951	2.20	969	2.40	1005	2.82	1045	3.27	1086	3.73	1171	4.76	1251	5.85	1325	6.94	1396	8.05
10300	1185	998	2.54	1015	2.75	1049	3.18	1085	3.63	1124	4.12	1206	5.18	1284	6.31	1356	7.45		
10800	1242	1044	2.90	1060	3.11	1093	3.57	1128	4.05	1164	4.55	1241	5.62	1318	6.81	1389	8.01		
11300	1300	1090	3.28	1106	3.52	1137	3.99	1170	4.49	1205	5.01	1278	6.12	1352	7.33				
11800	1357	1137	3.72	1152	3.96	1183	4.47	1214	4.98	1246	5.51	1315	6.64	1386	7.87				
12300	1415	1183	4.18	1199	4.45	1228	4.97	1257	5.49	1288	6.05	1353	7.20						
12800	1472	1230	4.69	1246	4.99	1273	5.50	1301	6.05	1330	6.61	1392	7.81						
13300	1530	1278	5.25	1293	5.56	1318	6.07	1346	6.66	1373	7.23								
13800	1588	1325	5.85	1340	6.17	1364	6.71	1390	7.29	1417	7.90								

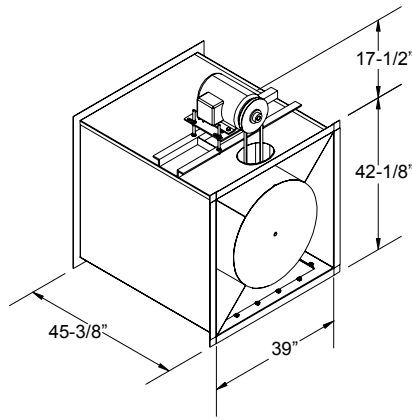
245 SQI-HP

CFM	OV	0.250" SP		0.500" SP		1.000" SP		1.500" SP		2.000" SP		2.500" SP		3.000" SP		4.000" SP		5.000" SP	
		RPM	BHP	RPM	BHP	RPM	BHP	RPM	BHP	RPM	BHP	RPM	BHP	RPM	BHP	RPM	BHP	RPM	BHP
3900	448	657	.46	735	.68	877	1.17	1002	1.72	1121	2.35								
4200	483	696	.55	769	.77	904	1.29	1025	1.86	1137	2.49								
4500	517	734	.64	805	.88	933	1.42	1050	2.01	1157	2.65	1260	3.36						
4800	552	774	.74	841	.99	963	1.56	1076	2.17	1179	2.82	1277	3.54	1374	4.33				
5100	586	814	.85	878	1.12	994	1.70	1104	2.35	1204	3.02	1298	3.75	1390	4.54				
5400	621	853	.97	915	1.26	1027	1.87	1132	2.53	1230	3.23	1321	3.98	1409	4.78				
5700	655	894	1.11	953	1.41	1061	2.05	1161	2.73	1257	3.46	1346	4.22	1431	5.04	1595	6.82		
6000	690	935	1.26	992	1.58	1095	2.23	1192	2.95	1285	3.70	1372	4.48	1454	5.31	1611	7.10		
6300	724	975	1.42	1030	1.76	1130	2.44	1224	3.18	1313	3.95	1399	4.76	1480	5.61	1631	7.42		
6600	759	1016	1.60	1070	1.96	1166	2.66	1256	3.42	1343	4.22	1426	5.05	1506	5.93	1653	7.76		
6900	794	1058	1.80	1109	2.17	1202	2.90	1290	3.68	1373	4.50	1454	5.36	1532	6.26	1677	8.14		
7200	828	1099	2.01	1149	2.40	1240	3.16	1324	3.96	1405	4.81	1483	5.69	1560	6.62				
7500	863	1140	2.23	1189	2.64	1277	3.43	1359	4.26	1437	5.13	1513	6.03	1588	6.99				
7800	897	1182	2.48	1228	2.89	1315	3.73	1394	4.57	1470	5.46	1544	6.40	1617	7.38				
8100	932	1224	2.75	1269	3.18	1353	4.04	1430	4.91	1504	5.82	1576	6.78	1646	7.77				
8400	966	1266	3.03	1310	3.48	1391	4.37	1467	5.27	1539	6.21	1608	7.18	1677	8.21				
8700	1001	1308	3.33	1350	3.79	1430	4.72	1504	5.65	1573	6.60	1641	7.60						
9000	1035	1349	3.64	1391	4.13	1469	5.09	1541	6.05	1609	7.03	1675	8.05						
9300	1070	1391	3.98	1433	4.50	1508	5.48	1579	6.48	1645	7.48								
9600	1104	1434	4.36	1474	4.88	1548	5.90	1616	6.91	1681	7.94								

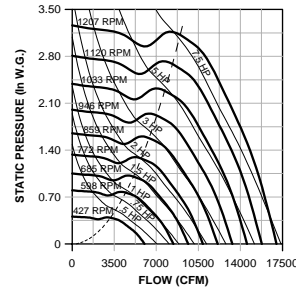
Performance shown is for Installation Type B: Free inlet, Ducted outlet. Power rating (BHP) does not include drive losses. Performance ratings do not include the effects of appurtenances in the airstream. Model SQI-HP is not licensed to bear the AMCA Seal. **Shaded area indicates reinforced wheel.**

270 SQI-B/SQI-HP Data

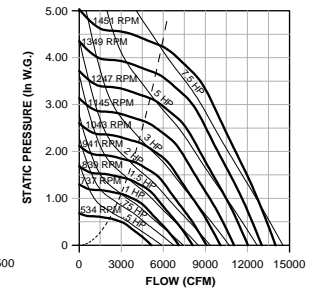
Wheel Diameter - 27"
Tip Speed (FPM) - 7.07 x RPM
Maximum BHP
 SQI - 4.85 x (RPM/1000)
 SQI-HP - 2.80 x (RPM/1000)³
Outlet Area - 10.56 FT²
Outlet Velocity - CFM x .0947
1140 RPM motor required below 465 RPM
Reinforced wheel required above:
 SQI - 876 RPM
 SQI-HP - 1025 RPM



SQI-B



SQI-HP



270 SQI-B

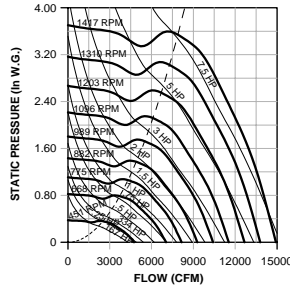
CFM	OV	0.125" SP		0.250" SP		0.500" SP		0.750" SP		1.000" SP		1.500" SP		2.000" SP		2.500" SP		3.000" SP	
		RPM	BHP	RPM	BHP	RPM	BHP	RPM	BHP	RPM	BHP	RPM	BHP	RPM	BHP	RPM	BHP	RPM	BHP
5500	520	427	.36	468	.49	546	.79	617	1.11	691	1.48								
6000	568	459	.44	496	.58	570	.90	635	1.23	702	1.61								
6500	615	492	.53	525	.68	595	1.02	657	1.37	717	1.75	842	2.65						
7000	662	525	.64	555	.79	620	1.15	681	1.53	737	1.93	852	2.82						
7500	710	559	.76	586	.92	646	1.29	706	1.71	759	2.12	864	3.02	972	4.08				
8000	757	593	.90	618	1.07	674	1.46	731	1.89	783	2.33	880	3.25	982	4.30				
8500	804	627	1.06	650	1.24	702	1.64	756	2.08	807	2.55	899	3.50	994	4.56	1089	5.76		
9000	852	662	1.24	683	1.42	731	1.84	782	2.29	832	2.79	921	3.78	1008	4.85	1100	6.06	1187	7.38
9500	899	696	1.43	716	1.62	760	2.05	809	2.53	857	3.04	944	4.08	1025	5.16	1111	6.37	1197	7.70
10000	946	730	1.64	750	1.85	791	2.29	836	2.78	882	3.30	968	4.41	1046	5.52	1125	6.73	1207	8.05
10500	994	765	1.88	784	2.10	822	2.56	865	3.06	909	3.60	993	4.75	1068	5.90	1142	7.12		
11000	1041	800	2.14	817	2.36	854	2.85	894	3.36	935	3.90	1018	5.11	1092	6.32	1162	7.56		
11500	1089	835	2.43	851	2.66	886	3.16	923	3.68	963	4.24	1043	5.48	1116	6.75	1184	8.03		
12000	1136	870	2.74	886	2.98	918	3.49	954	4.04	991	4.61	1068	5.86	1140	7.19				
12500	1183	905	3.08	920	3.33	951	3.85	984	4.40	1020	5.00	1094	6.28	1165	7.66				
13000	1231	939	3.43	954	3.69	985	4.25	1016	4.82	1050	5.43	1120	6.72	1190	8.15				
13500	1278	974	3.81	988	4.08	1017	4.65	1047	5.24	1079	5.86	1147	7.20						
14000	1325	1008	4.21	1022	4.50	1051	5.11	1080	5.72	1110	6.35	1175	7.71						
14500	1373	1043	4.66	1058	4.98	1085	5.59	1112	6.21	1141	6.86	1202	8.23						
15000	1420	1078	5.14	1093	5.48	1119	6.10	1145	6.74	1173	7.42								
15500	1467	1113	5.65	1128	6.01	1152	6.63	1178	7.30	1204	7.98								

270 SQI-HP

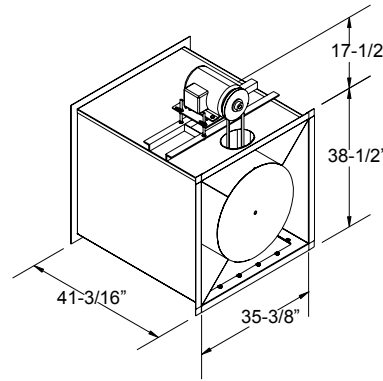
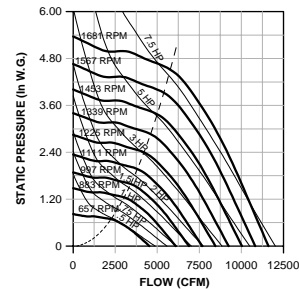
CFM	OV	0.250" SP		0.500" SP		1.000" SP		1.500" SP		2.000" SP		2.500" SP		3.000" SP		4.000" SP		5.000" SP	
		RPM	BHP	RPM	BHP	RPM	BHP	RPM	BHP	RPM	BHP	RPM	BHP	RPM	BHP	RPM	BHP	RPM	BHP
4200	397	534	.40	616	.65	755	1.19	885	1.84	1000	2.54								
4550	430	564	.47	643	.73	772	1.29	899	1.95	1010	2.69								
4900	464	594	.54	671	.82	793	1.40	914	2.09	1024	2.85	1123	3.65						
5250	497	625	.63	699	.92	818	1.53	929	2.22	1038	3.01	1135	3.85	1227	4.73				
5600	530	656	.72	728	1.03	844	1.67	947	2.37	1053	3.18	1149	4.04	1238	4.96				
5950	563	688	.82	756	1.15	871	1.82	968	2.54	1068	3.36	1164	4.25	1252	5.20	1414	7.18		
6300	596	721	.94	786	1.28	899	1.99	992	2.73	1084	3.55	1178	4.46	1266	5.44	1424	7.49		
6650	629	753	1.06	815	1.42	927	2.17	1018	2.94	1104	3.77	1194	4.70	1281	5.69	1437	7.81		
7000	662	787	1.20	846	1.57	955	2.36	1045	3.16	1126	4.00	1210	4.93	1295	5.94	1451	8.13		
7350	696	820	1.34	877	1.74	983	2.56	1072	3.40	1151	4.26	1229	5.19	1310	6.21				
7700	729	854	1.51	908	1.91	1011	2.77	1100	3.65	1177	4.54	1251	5.49	1327	6.51				
8050	762	888	1.68	939	2.10	1040	3.00	1127	3.91	1204	4.84	1275	5.80	1347	6.84				
8400	795	922	1.87	971	2.31	1068	3.23	1155	4.19	1231	5.15	1300	6.13	1368	7.18				
8750	828	956	2.08	1004	2.53	1098	3.50	1183	4.48	1259	5.48	1327	6.50	1392	7.55				
9100	861	991	2.30	1036	2.76	1127	3.76	1212	4.79	1286	5.82	1354	6.88	1417	7.95				
9450	894	1026	2.54	1070	3.03	1157	4.05	1240	5.11	1314	6.18	1381	7.27						
9800	928	1061	2.80	1103	3.30	1187	4.35	1268	5.44	1342	6.56	1409	7.68						
10150	961	1095	3.07	1136	3.58	1218	4.67	1297	5.80	1370	6.95	1436	8.10						
10500	994	1130	3.36	1170	3.89	1249	5.01	1326	6.17	1398	7.36								
10850	1027	1164	3.66	1204	4.22	1280	5.37	1356	6.57	1427	7.80								

Performance shown is for Installation Type B: Free inlet, Ducted outlet. Power rating (BHP) does not include drive losses. Performance ratings do not include the effects of appurtenances in the airstream. Model SQI-HP is not licensed to bear the AMCA Seal. **Shaded area indicates reinforced wheel.**

SQI-B



SQI-HP



Wheel Diameter - 30"
 Tip Speed (FPM) - 7.85 x RPM
 Maximum BHP
 SQI - 8.22 x (RPM/1000)
 SQI-HP - 4.94 x (RPM/1000)³
 Outlet Area = 13.10 FT²
 Outlet Velocity = CFM/13.10
 1140 RPM motor required below 415 RPM
 Reinforced wheel required above:
 SQI - 837 RPM
 SQI-HP - 980 RPM

300 SQI-B

CFM	OV	0.125" SP		0.250" SP		0.500" SP		0.750" SP		1.000" SP		1.500" SP		2.000" SP		2.500" SP		3.000" SP	
		RPM	BHP	RPM	BHP	RPM	BHP	RPM	BHP	RPM	BHP	RPM	BHP	RPM	BHP	RPM	BHP	RPM	BHP
7000	535	394	.47	429	.64	499	1.02	560	1.42	626	1.89								
7500	573	418	.56	450	.73	516	1.13	575	1.55	634	2.01								
8000	612	442	.65	471	.83	535	1.25	591	1.69	645	2.16	758	3.27						
8500	650	466	.75	493	.94	553	1.38	608	1.85	659	2.33	765	3.43						
9000	688	491	.88	516	1.07	572	1.52	626	2.02	675	2.52	773	3.62	872	4.93				
9500	726	515	1.00	539	1.21	591	1.67	644	2.19	691	2.71	783	3.83	879	5.15				
10000	765	540	1.15	562	1.36	611	1.83	662	2.37	709	2.93	795	4.06	886	5.37	974	6.86		
10500	803	565	1.31	586	1.53	632	2.02	681	2.57	727	3.16	810	4.33	895	5.64	981	7.13		
11000	841	590	1.48	610	1.72	653	2.22	699	2.77	745	3.39	825	4.60	905	5.92	988	7.40		
11500	879	615	1.67	634	1.91	675	2.44	719	3.01	763	3.63	842	4.90	917	6.23	996	7.71		
12000	918	640	1.87	658	2.13	697	2.67	739	3.25	781	3.88	859	5.21	931	6.56	1005	8.04		
12500	956	665	2.10	683	2.36	719	2.91	759	3.51	800	4.16	877	5.54	947	6.94				
13000	994	691	2.35	707	2.61	742	3.18	780	3.80	819	4.45	895	5.89	963	7.32				
13500	1032	716	2.60	732	2.88	765	3.47	801	4.09	839	4.77	913	6.24	980	7.73				
14000	1071	742	2.89	756	3.16	788	3.77	823	4.42	859	5.10	931	6.60	997	8.15				
14500	1109	767	3.18	781	3.47	812	4.10	844	4.75	879	5.45	950	7.00						
15000	1147	792	3.50	806	3.80	835	4.43	867	5.12	900	5.83	968	7.38						
15500	1185	818	3.84	832	4.16	860	4.81	889	5.49	921	6.23	987	7.81						
16000	1224	843	4.20	856	4.52	884	5.20	912	5.90	943	6.66	1006	8.24						
16500	1262	868	4.57	881	4.91	908	5.61	935	6.33	964	7.09								
17000	1300	893	4.97	906	5.32	932	6.04	958	6.78	987	7.57								

300 SQI-HP

CFM	OV	0.250" SP		0.500" SP		1.000" SP		1.500" SP		2.000" SP		2.500" SP		3.000" SP		4.000" SP		5.000" SP	
		RPM	BHP	RPM	BHP	RPM	BHP	RPM	BHP	RPM	BHP	RPM	BHP	RPM	BHP	RPM	BHP	RPM	BHP
5700	436	506	.61	573	.93	691	1.63	801	2.46	904	3.41								
6050	462	528	.68	592	1.02	706	1.74	812	2.60	911	3.56								
6400	489	552	.77	612	1.12	723	1.87	824	2.74	920	3.71	1011	4.78						
6750	516	575	.86	633	1.23	740	2.01	837	2.89	930	3.88	1019	4.98						
7100	543	599	.96	654	1.34	758	2.15	851	3.05	941	4.05	1027	5.16	1109	6.34				
7450	570	623	1.07	676	1.47	777	2.32	867	3.23	953	4.24	1037	5.36	1117	6.57				
7800	596	648	1.19	698	1.60	796	2.48	883	3.41	966	4.44	1048	5.58	1126	6.80				
8150	623	672	1.32	721	1.75	815	2.66	901	3.62	981	4.66	1059	5.80	1136	7.04				
8500	650	697	1.46	744	1.91	834	2.84	919	3.84	996	4.89	1072	6.05	1146	7.29				
8850	677	722	1.61	767	2.07	854	3.04	937	4.06	1012	5.13	1085	6.30	1158	7.57				
9200	703	747	1.77	790	2.24	875	3.26	955	4.30	1029	5.40	1100	6.58	1170	7.85				
9550	730	772	1.94	814	2.43	896	3.48	974	4.55	1047	5.68	1116	6.88	1183	8.15				
9900	757	798	2.13	838	2.63	917	3.71	993	4.81	1065	5.97	1132	7.19						
10250	784	823	2.33	862	2.85	938	3.94	1013	5.10	1083	6.28	1149	7.51						
10600	811	848	2.53	886	3.07	960	4.20	1033	5.39	1102	6.60	1167	7.87						
10950	837	873	2.75	911	3.31	982	4.47	1053	5.69	1121	6.94	1185	8.23						
11300	864	899	2.99	935	3.56	1005	4.76	1073	6.00	1140	7.29								
11650	891	925	3.25	959	3.82	1027	5.04	1094	6.33	1159	7.64								
12000	918	951	3.52	985	4.12	1050	5.36	1115	6.68	1179	8.03								
12350	944	977	3.80	1009	4.40	1073	5.68	1137	7.04										

Performance shown is for Installation Type B: Free inlet, Ducted outlet. Power rating (BHP) does not include drive losses. Performance ratings do not include the effects of appurtenances in the airstream. Model SQI-HP is not licensed to bear the AMCA Seal. **Shaded area indicates reinforced wheel.**

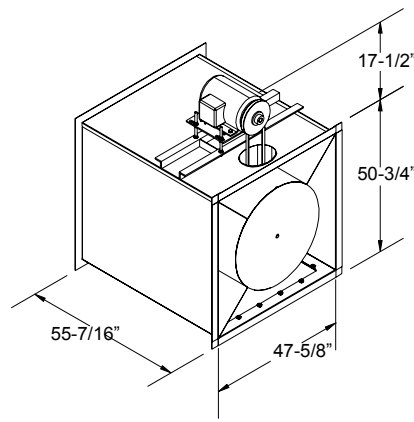
330 SQI-B/SQI-HP Data

Wheel Diameter - 33"
 Tip Speed (FPM) - 8.64 x RPM
 Maximum BHP

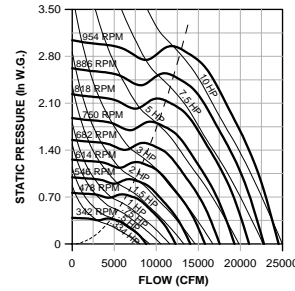
SQI - 13.2 x (RPM/1000)
 SQI-HP - 7.86 x (RPM/1000)³

Outlet Area = 15.75 FT²
 Outlet Velocity = CFM/15.75
 1140 RPM motor required below
 400 RPM

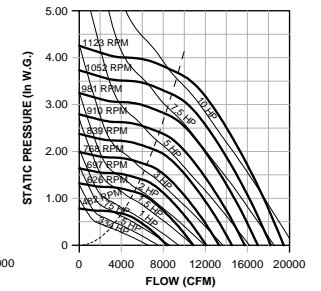
Reinforced wheel required above:
 SQI - 716 RPM
 SQI-HP - 830 RPM



SQI-B



SQI-HP



330 SQI-B

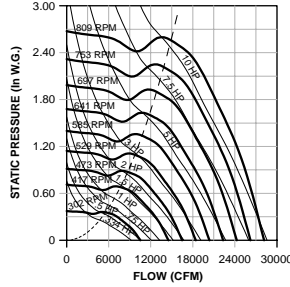
CFM	OV	0.125" SP		0.250" SP		0.500" SP		0.750" SP		1.000" SP		1.500" SP		2.000" SP		2.500" SP		3.000" SP	
		RPM	BHP	RPM	BHP	RPM	BHP	RPM	BHP	RPM	BHP	RPM	BHP	RPM	BHP	RPM	BHP	RPM	BHP
8000	507	342	.50	376	.69	441	1.13	501	1.61	564	2.18								
8750	555	368	.61	399	.82	461	1.30	515	1.78	572	2.35								
9500	603	395	.75	423	.97	481	1.47	533	2.00	583	2.55	687	3.89						
10250	650	422	.90	447	1.13	502	1.66	552	2.22	598	2.80	695	4.14						
11000	698	450	1.08	473	1.33	523	1.87	572	2.47	616	3.08	704	4.41	794	6.02				
11750	746	478	1.29	499	1.54	545	2.10	592	2.73	635	3.39	716	4.74	802	6.34				
12500	793	506	1.52	525	1.78	568	2.37	613	3.02	655	3.72	732	5.13	811	6.71	889	8.49		
13250	841	534	1.77	552	2.05	592	2.66	634	3.33	675	4.06	749	5.54	822	7.13	898	8.93		
14000	888	562	2.05	579	2.35	616	2.98	656	3.67	696	4.44	768	5.99	836	7.60	907	9.39		
14750	936	590	2.36	607	2.68	641	3.33	679	4.05	717	4.83	787	6.45	852	8.12	918	9.91		
15500	984	619	2.72	634	3.03	667	3.73	702	4.46	738	5.25	808	6.97	870	8.68	931	10.50		
16250	1031	648	3.11	662	3.43	692	4.13	725	4.89	760	5.71	828	7.49	889	9.29				
17000	1079	676	3.52	690	3.86	719	4.60	750	5.38	783	6.22	848	8.03	908	9.90				
17750	1126	705	3.98	718	4.33	745	5.08	775	5.90	806	6.76	869	8.61	929	10.60				
18500	1174	734	4.48	746	4.84	772	5.62	800	6.46	829	7.32	890	9.22						
19250	1222	762	4.99	775	5.40	799	6.19	826	7.06	853	7.94	912	9.89						
20000	1269	790	5.55	802	5.96	827	6.82	851	7.68	878	8.62	934	10.60						
20750	1317	819	6.16	830	6.57	854	7.47	878	8.38	903	9.32								
21500	1365	847	6.80	859	7.27	882	8.19	904	9.10	928	10.10								
22250	1412	876	7.51	888	8.01	909	8.92	931	9.88	954	10.90								

330 SQI-HP

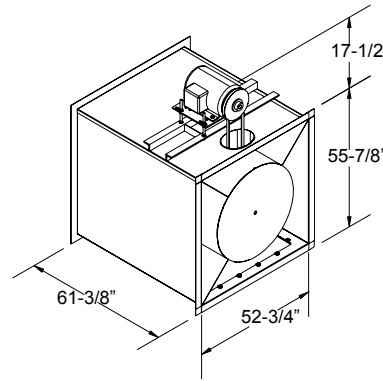
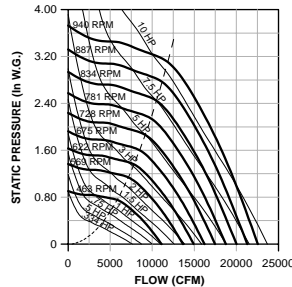
CFM	OV	0.250" SP		0.500" SP		1.000" SP		1.500" SP		2.000" SP		2.500" SP		3.000" SP		4.000" SP		5.000" SP	
		RPM	BHP	RPM	BHP	RPM	BHP	RPM	BHP	RPM	BHP	RPM	BHP	RPM	BHP	RPM	BHP	RPM	BHP
7200	457	482	.81	541	1.22	646	2.12	741	3.14	833	4.33								
7650	485	504	.92	561	1.34	662	2.29	753	3.33	841	4.52								
8100	514	527	1.04	582	1.48	679	2.46	767	3.53	850	4.72	932	6.07						
8550	542	550	1.17	603	1.63	697	2.66	782	3.76	862	4.97	940	6.31						
9000	571	573	1.31	624	1.80	716	2.87	798	4.00	875	5.23	949	6.57	1023	8.06				
9450	600	597	1.47	645	1.97	734	3.07	814	4.25	889	5.51	961	6.87	1031	8.35				
9900	628	621	1.64	667	2.16	754	3.31	831	4.52	904	5.81	973	7.18	1041	8.67				
10350	657	645	1.83	689	2.36	773	3.54	849	4.81	920	6.13	987	7.52	1052	9.01				
10800	685	669	2.03	712	2.59	793	3.79	867	5.10	936	6.46	1001	7.87	1065	9.41				
11250	714	693	2.24	735	2.83	813	4.06	886	5.42	953	6.82	1017	8.27	1078	9.80				
11700	742	718	2.48	757	3.07	834	4.35	905	5.75	971	7.20	1033	8.68	1093	10.20				
12150	771	743	2.73	781	3.35	855	4.66	924	6.08	988	7.57	1049	9.10	1108	10.70				
12600	800	767	2.99	804	3.63	876	4.98	944	6.45	1007	7.99	1066	9.54						
13050	828	791	3.27	828	3.94	898	5.33	963	6.81	1025	8.39	1084	10.00						
13500	857	816	3.57	852	4.27	919	5.68	984	7.22	1044	8.83	1102	10.50						
13950	885	842	3.91	875	4.60	941	6.07	1004	7.62	1064	9.30	1120	11.00						
14400	914	867	4.26	899	4.97	963	6.47	1025	8.07	1083	9.76								
14850	942	892	4.62	923	5.35	986	6.91	1046	8.53	1103	10.30								
15300	971	917	5.00	948	5.77	1008	7.34	1067	9.01	1123	10.80								
15750	1000	942	5.41	972	6.19	1031	7.82	1088	9.50										

Performance shown is for Installation Type B: Free inlet, Ducted outlet. Power rating (BHP) does not include drive losses. Performance ratings do not include the effects of appurtenances in the airstream. Model SQI-HP is not licensed to bear the AMCA Seal. **Shaded area indicates reinforced wheel.**

SQI-B



SQI-HP



Wheel Diameter - 36.5"
 Tip Speed (FPM) - 9.56 x RPM
 Maximum BHP
 SQI - 21.9 x (RPM/1000)
 SQI-HP - 13.5 x (RPM/1000)³
 Outlet Area = 19.32 FT²
 Outlet Velocity = CFM/19.32
 1140 RPM motor required below 340 RPM
 Reinforced wheel required above:
 SQI - 624 RPM
 SQI-HP - 735 RPM

365 SQI-B

CFM	OV	0.125" SP		0.250" SP		0.500" SP		0.750" SP		1.000" SP		1.500" SP		2.000" SP		2.500" SP		3.000" SP	
		RPM	BHP	RPM	BHP	RPM	BHP	RPM	BHP	RPM	BHP	RPM	BHP	RPM	BHP	RPM	BHP	RPM	BHP
9500	491	302	.57	334	.81	393	1.33	450	1.91	507	2.59								
10300	533	322	.69	352	.94	409	1.50	460	2.09	514	2.78								
11100	574	343	.82	370	1.08	424	1.67	472	2.29	521	2.97								
11900	615	365	.98	389	1.24	441	1.87	487	2.53	531	3.21	623	4.85						
12700	657	386	1.14	408	1.42	457	2.07	502	2.77	544	3.50	630	5.13						
13500	698	408	1.34	428	1.63	474	2.30	518	3.04	558	3.80	637	5.42	718	7.37				
14300	740	430	1.55	449	1.86	491	2.55	534	3.32	573	4.12	647	5.79	724	7.71				
15100	781	452	1.79	470	2.12	509	2.82	550	3.62	589	4.48	658	6.16	731	8.10	803	10.30		
15900	822	474	2.06	491	2.40	528	3.13	567	3.95	604	4.82	672	6.61	739	8.52	809	10.70		
16700	864	496	2.34	512	2.70	547	3.46	584	4.30	620	5.20	686	7.06	749	9.00				
17500	905	518	2.65	534	3.04	566	3.82	601	4.67	637	5.62	701	7.54	761	9.54				
18300	947	541	3.01	555	3.39	586	4.21	619	5.08	653	6.04	717	8.07	774	10.10				
19100	988	563	3.38	577	3.78	606	4.62	638	5.54	670	6.50	733	8.62	789	10.70				
19900	1030	586	3.80	599	4.21	627	5.09	656	6.00	688	7.01	749	9.18						
20700	1071	609	4.26	621	4.66	647	5.56	675	6.50	705	7.52	765	9.76						
21500	1112	631	4.73	643	5.16	668	6.08	695	7.06	723	8.08	781	10.40						
22300	1154	654	5.25	666	5.71	689	6.63	715	7.65	742	8.70	798	11.00						
23100	1195	676	5.78	688	6.27	711	7.24	735	8.27	761	9.35								
23900	1237	699	6.37	710	6.86	732	7.86	755	8.91	780	10.00								
24700	1278	721	6.98	732	7.49	753	8.51	776	9.63	799	10.70								

365 SQI-HP

CFM	OV	0.250" SP		0.500" SP		1.000" SP		1.500" SP		2.000" SP		2.500" SP		3.000" SP		4.000" SP		5.000" SP	
		RPM	BHP	RPM	BHP	RPM	BHP	RPM	BHP	RPM	BHP	RPM	BHP	RPM	BHP	RPM	BHP	RPM	BHP
9800	507	463	1.20	512	1.76	603	2.97	683	4.26	759	5.70								
10200	527	478	1.31	526	1.89	614	3.13	692	4.45	765	5.89								
10600	548	493	1.42	539	2.02	625	3.30	702	4.66	773	6.12								
11000	569	508	1.54	553	2.16	637	3.49	712	4.88	781	6.35	849	7.99						
11400	590	523	1.67	567	2.31	648	3.66	722	5.09	790	6.60	856	8.25						
11800	610	538	1.81	581	2.46	660	3.86	733	5.33	800	6.88	863	8.51						
12200	631	553	1.95	595	2.62	672	4.06	744	5.58	809	7.13	872	8.82	933	10.60				
12600	652	569	2.12	609	2.79	685	4.28	755	5.83	819	7.42	880	9.11	940	10.90				
13000	672	584	2.28	623	2.96	697	4.49	766	6.08	830	7.73	890	9.46						
13400	693	600	2.46	638	3.16	710	4.72	778	6.36	840	8.02	899	9.78						
13800	714	615	2.63	653	3.37	723	4.96	789	6.62	851	8.35	909	10.10						
14200	734	631	2.83	667	3.56	736	5.20	801	6.91	862	8.67	919	10.50						
14600	755	647	3.04	682	3.79	749	5.45	813	7.20	873	9.01	929	10.80						
15000	776	663	3.26	697	4.02	763	5.72	825	7.50	884	9.34								
15400	797	679	3.49	712	4.26	776	5.98	838	7.84	896	9.72								
15800	817	694	3.72	727	4.51	790	6.27	850	8.15	907	10.10								
16200	838	710	3.97	743	4.79	804	6.57	863	8.49	919	10.40								
16600	859	726	4.23	758	5.07	818	6.88	876	8.84	931	10.80								
17000	879	742	4.51	773	5.35	832	7.20	888	9.17										

Performance shown is for Installation Type B: Free inlet, Ducted outlet. Power rating (BHP) does not include drive losses. Performance ratings do not include the effects of appurtenances in the airstream. Model SQI-HP is not licensed to bear the AMCA Seal. **Shaded area indicates reinforced wheel.**

402 SQI-B/SQI-HP Data

Wheel Diameter - 40.25"
 Tip Speed (FPM) - 10.54 x RPM
 Maximum BHP

SQI - 36.3 x (RPM/1000)
 SQI-HP - 20.5 x (RPM/1000)³

Outlet Area = 23.56 FT²

Outlet Velocity = CFM/23.56

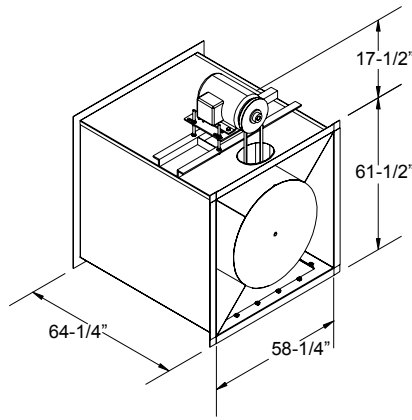
1140 RPM motor required below

330 RPM

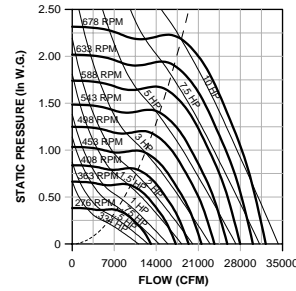
Reinforced wheel required above:

SQI - 539 RPM

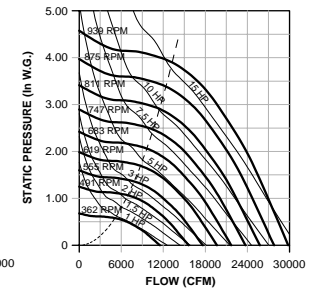
SQI-HP - 630 RPM



SQI-B



SQI-HP



402 SQI-B

CFM	OV	0.125" SP		0.250" SP		0.500" SP		0.750" SP		1.000" SP		1.500" SP		2.000" SP		2.500" SP		3.000" SP	
		RPM	BHP	RPM	BHP	RPM	BHP	RPM	BHP	RPM	BHP	RPM	BHP	RPM	BHP	RPM	BHP	RPM	BHP
12000	507	276	.69	304	.97	356	1.58	407	2.27										
13000	549	295	.83	320	1.13	369	1.76	416	2.48	463	3.27								
14000	591	315	.99	337	1.30	384	1.98	427	2.71	471	3.53								
15000	633	334	1.16	354	1.49	399	2.21	440	2.98	481	3.83								
16000	676	354	1.36	373	1.72	414	2.46	454	3.28	492	4.15	568	6.05						
17000	718	374	1.58	391	1.96	430	2.75	468	3.59	504	4.48	576	6.45						
18000	760	394	1.83	410	2.23	446	3.05	483	3.93	517	4.84	585	6.86	653	9.10				
19000	802	414	2.10	429	2.52	463	3.40	498	4.29	531	5.24	595	7.30	660	9.59				
20000	845	435	2.41	449	2.85	480	3.76	514	4.70	546	5.69	607	7.81	668	10.10				
21000	887	456	2.76	469	3.21	497	4.14	530	5.14	561	6.15	619	8.31	678	10.70				
22000	929	476	3.12	489	3.60	516	4.59	546	5.60	576	6.64	633	8.89						
23000	971	496	3.50	508	4.00	534	5.04	562	6.08	592	7.19	647	9.49						
24000	1014	517	3.94	528	4.45	553	5.54	579	6.62	608	7.77	661	10.10						
25000	1056	538	4.43	549	4.96	571	6.04	597	7.21	624	8.37	676	10.80						
26000	1098	559	4.95	569	5.48	591	6.64	614	7.79	640	9.00								
27000	1140	579	5.48	589	6.03	610	7.23	632	8.43	657	9.70								
28000	1183	600	6.08	609	6.63	629	7.86	651	9.14	674	10.40								
29000	1225	621	6.72	630	7.31	649	8.55	669	9.84										
30000	1267	641	7.36	650	7.99	669	9.30	688	10.60										

402 SQI-HP

CFM	OV	0.250" SP		0.500" SP		1.000" SP		1.500" SP		2.000" SP		2.500" SP		3.000" SP		4.000" SP		5.000" SP	
		RPM	BHP	RPM	BHP	RPM	BHP	RPM	BHP	RPM	BHP	RPM	BHP	RPM	BHP	RPM	BHP	RPM	BHP
9600	405	362	.93	416	1.47	511	2.71	596	4.17	673	5.81								
10350	437	382	1.08	433	1.65	523	2.93	605	4.40	680	6.13								
11100	469	403	1.25	450	1.83	537	3.18	615	4.68	688	6.42	756	8.33						
11850	500	423	1.43	468	2.05	552	3.46	627	5.01	698	6.76	763	8.70	825	10.70				
12600	532	445	1.65	486	2.27	568	3.76	639	5.34	708	7.11	772	9.08	832	11.20				
13350	564	466	1.87	506	2.54	584	4.07	653	5.72	719	7.52	781	9.47	840	11.70				
14100	595	488	2.13	526	2.83	600	4.40	668	6.13	731	7.97	791	9.92	849	12.10				
14850	627	509	2.40	546	3.14	617	4.76	683	6.54	744	8.44	802	10.40	859	12.60				
15600	659	531	2.70	567	3.49	634	5.14	699	7.00	758	8.95	814	11.00	869	13.20				
16350	690	553	3.03	587	3.84	652	5.55	715	7.47	772	9.46	827	11.60	880	13.80				
17100	722	576	3.40	608	4.23	670	5.99	731	7.96	788	10.00	841	12.20	892	14.50				
17850	754	598	3.78	630	4.68	689	6.48	748	8.49	803	10.60	855	12.80	905	15.20				
18600	786	620	4.19	651	5.12	708	6.98	764	9.01	819	11.20	870	13.50	918	15.90				
19350	817	643	4.65	672	5.59	728	7.55	782	9.62	835	11.90	886	14.30						
20100	849	666	5.14	694	6.12	748	8.14	800	10.30	852	12.60	901	15.00						
20850	881	688	5.65	716	6.68	768	8.75	818	10.90	869	13.30	917	15.80						
21600	912	711	6.20	738	7.27	788	9.40	837	11.60	886	14.00								
22350	944	733	6.77	760	7.90	809	10.10	856	12.40	903	14.80								
23100	976	755	7.37	782	8.56	830	10.90	875	13.20	921	15.70								
23850	1007	779	8.08	804	9.26	851	11.60	895	14.00	939	16.50								

Performance shown is for Installation Type B: Free inlet, Ducted outlet. Power rating (BHP) does not include drive losses. Performance ratings do not include the effects of appurtenances in the airstream. Model SQI-HP is not licensed to bear the AMCA Seal. **Shaded area indicates reinforced wheel.**

70SQ10D

SP	Sound Power re 10 ⁻¹² Watts								Sones	L _{wi} A
	Octave Bands									
	1	2	3	4	5	6	7	8		
.000	59	61	58	55	51	45	38	38	3.8	57
.100	59	62	60	57	53	49	42	39	4.3	59
.125	60	63	60	57	53	49	43	39	4.5	59
.250	60	67	61	58	53	50	44	39	4.7	60

70SQ12D

SP	Sound Power re 10 ⁻¹² Watts								Sones	L _{wi} A
	Octave Bands									
	1	2	3	4	5	6	7	8		
.000	59	67	61	59	54	49	43	42	4.8	60
.100	60	68	65	60	55	51	45	42	5.5	62
.125	60	68	64	60	55	51	45	42	5.4	62
.250	60	69	62	59	54	51	45	43	5.1	61

70SQ15D

SP	Sound Power re 10 ⁻¹² Watts								Sones	L _{wi} A
	Octave Bands									
	1	2	3	4	5	6	7	8		
.000	61	72	67	64	61	57	51	46	7.0	67
.100	60	73	67	64	60	56	51	46	7.0	66
.125	60	73	67	64	60	56	51	46	6.9	66
.250	60	73	66	63	59	55	50	45	6.7	65
.375	60	73	66	62	58	54	49	45	6.6	65

80SQ10D

SP	Sound Power re 10 ⁻¹² Watts								Sones	L _{wi} A
	Octave Bands									
	1	2	3	4	5	6	7	8		
.000	68	66	68	62	58	52	48	42	6.3	64
.100	70	66	69	61	58	51	48	42	6.5	64
.125	70	66	69	61	58	51	48	42	6.5	64
.250	70	66	69	61	58	52	48	42	6.6	65
.375	71	67	69	62	59	52	49	43	6.7	65

80SQ12D

SP	Sound Power re 10 ⁻¹² Watts								Sones	L _{wi} A
	Octave Bands									
	1	2	3	4	5	6	7	8		
.000	72	70	77	69	67	60	56	52	10.4	72
.100	73	70	75	68	66	59	55	51	9.7	71
.125	73	70	74	68	66	59	55	51	9.6	71
.250	73	70	74	68	65	58	55	51	9.5	71
.375	74	70	74	68	65	58	55	51	9.4	71
.500	74	71	74	68	65	58	55	51	9.5	71

80SQ15D

SP	Sound Power re 10 ⁻¹² Watts								Sones	L _{wi} A
	Octave Bands									
	1	2	3	4	5	6	7	8		
.000	76	73	85	75	72	65	61	56	15.4	79
.100	77	73	82	74	71	64	60	55	14.0	77
.125	77	73	82	74	71	64	60	55	13.9	77
.250	76	73	81	74	70	62	59	55	13.4	77
.375	76	73	80	73	69	62	59	55	12.8	76
.500	76	73	79	73	69	62	59	54	12.4	75
.625	76	73	78	72	68	61	58	54	12.3	74

90SQ10D

SP	Sound Power re 10 ⁻¹² Watts								Sones	L _{wi} A
	Octave Bands									
	1	2	3	4	5	6	7	8		
.000	66	58	59	61	61	52	48	43	5.7	64
.100	61	57	58	59	58	49	45	41	4.9	61
.125	61	57	58	59	58	49	45	41	4.8	61
.250	61	57	57	55	55	47	43	40	4.1	58
.375	63	59	58	55	54	47	44	41	4.3	58
.500	67	62	61	59	59	50	47	43	5.2	61

90SQ12D

SP	Sound Power re 10 ⁻¹² Watts								Sones	L _{wi} A
	Octave Bands									
	1	2	3	4	5	6	7	8		
.000	69	70	66	65	66	61	55	51	8.4	69
.100	65	67	65	64	64	60	54	49	7.7	68
.125	65	67	65	64	64	60	54	49	7.6	68
.250	67	65	63	62	63	57	53	48	7.0	66
.375	67	64	62	61	61	56	52	48	6.4	65
.500	65	62	62	60	59	54	51	47	5.9	63

90SQ15D

SP	Sound Power re 10 ⁻¹² Watts								Sones	L _{wi} A
	Octave Bands									
	1	2	3	4	5	6	7	8		
.000	66	69	71	70	69	65	60	55	10.2	73
.100	65	66	68	68	67	65	59	54	9.4	72
.125	64	66	68	68	67	64	59	54	9.3	71
.250	64	65	68	67	66	64	59	54	9.0	71
.375	63	65	68	66	65	63	58	53	8.6	70
.500	63	64	67	65	64	62	57	53	8.2	69
.625	63	64	66	64	63	61	57	52	7.8	68

120SQ10D

SP	Sound Power re 10 ⁻¹² Watts								Sones	L _{wi} A
	Octave Bands									
	1	2	3	4	5	6	7	8		
.000	72	69	68	68	61	61	54	49	8.3	69
.100	71	69	68	67	61	60	53	48	7.9	68
.125	70	69	68	67	60	60	53	48	7.9	68
.250	70	69	66	66	60	59	52	47	7.5	67
.375	71	68	66	65	59	59	52	47	7.3	66
.500	73	68	65	64	58	58	51	47	7.1	66

120SQ17D

SP	Sound Power re 10 ⁻¹² Watts								Sones	L _{wi} A
	Octave Bands									
	1	2	3	4	5	6	7	8		
.000	79	83	79	78	74	70	67	61	16.3	80
.100	79	82	79	78	74	70	67	60	16.1	80
.125	78	82	79	78	74	70	67	60	16.0	80
.250	78	82	79	78	74	69	66	60	15.8	79
.375	77	82	79	77	73	69	66	60	15.5	79
.500	77	81	79	77	73	69	66	59	15.2	79
.625	77	81	79	77	73	68	65	59	15.0	78
.750	78	82	78	76	72	68	65	59	14.9	78
.875	78	82	78	76	72	68	65	59	14.7	78
1.00	79	82	78	76	72	68	65	59	14.7	78

135SQ10D

SP	Sound Power re 10 ⁻¹² Watts								Sones	L _{wi} A
	Octave Bands									
	1	2	3	4	5	6	7	8		
.000	77	73	71	70	61	60	54	52	9.4	70
.100	76	72	71	69	61	59	53	52	9.0	69
.125	76	72	71	69	60	59	53	51	8.9	69
.250	76	72	71	68	60	58	52	51	8.5	69
.375	76	71	70	66	61	58	52	50	8.1	68
.500	76	71	68	65	61	58	51	50	7.9	67

The sound power level ratings shown are in decibels referred to 10⁻¹² watts calculated per AMCA Standard 301. The A-weighted sound ratings shown have been calculated per AMCA Standard 301. Values shown are for inlet L_{wi} and inlet L_{wi}A sound power levels for Installation Type B: free inlet, ducted outlet. Ratings do not include the effects of duct end correction. The sound ratings shown are loudness values in fan sones at 5 ft. (1.5m) in a hemispherical free field calculated per AMCA Standard 301. The sound ratings shown are for nominal RPM. Values shown are for Installation Type B: free inlet fan sone levels.

135-165 SQI-D Sound Data

135SQ17D

SP	Sound Power re 10 ⁻¹² Watts								Sones	L _{wi} A
	Octave Bands									
	1	2	3	4	5	6	7	8		
.000	85	90	85	83	79	72	69	64	22	85
.100	85	90	85	83	78	72	69	64	22	84
.125	85	90	85	83	78	72	69	64	22	84
.250	84	89	85	82	78	71	68	64	21	84
.375	84	89	84	82	78	71	68	63	21	84
.500	85	89	84	82	77	71	68	63	21	83
.625	85	89	84	82	77	71	67	63	21	83
.750	85	89	84	82	77	71	67	62	21	83
.875	85	89	84	81	76	71	67	62	20	83
1.00	85	89	83	81	76	71	67	62	20	83
1.25	85	89	83	80	75	71	67	62	19.8	82

150SQ10D

SP	Sound Power re 10 ⁻¹² Watts								Sones	L _{wi} A
	Octave Bands									
	1	2	3	4	5	6	7	8		
.000	80	77	77	74	66	65	60	54	12.5	75
.100	80	76	77	74	66	64	59	53	12.1	75
.125	80	76	77	74	65	64	59	53	12.0	75
.250	80	76	76	73	65	63	58	52	11.5	74
.375	80	75	75	72	64	62	57	52	10.9	73
.500	80	74	74	70	65	62	56	53	10.5	72
.750	80	73	74	69	65	62	56	53	10.3	72

150SQ17D

SP	Sound Power re 10 ⁻¹² Watts								Sones	L _{wi} A
	Octave Bands									
	1	2	3	4	5	6	7	8		
.000	87	91	88	86	81	75	72	67	26	87
.100	87	91	88	86	80	75	72	66	25	87
.125	87	91	88	86	80	75	72	66	25	87
.250	87	91	87	86	80	74	71	66	25	87
.375	87	91	87	86	80	74	71	66	25	87
.500	87	90	87	86	80	74	71	65	24	86
.625	87	90	87	85	79	73	70	65	24	86
.750	87	90	86	85	79	73	70	65	23	86
.875	87	90	86	85	79	73	70	64	23	85
1.00	87	90	86	84	79	73	70	64	23	85
1.25	87	90	85	84	78	73	69	64	23	85
1.50	88	90	85	83	78	73	69	64	22	84
1.75	88	90	85	83	78	73	69	64	22	84

165SQ10D

SP	Sound Power re 10 ⁻¹² Watts								Sones	L _{wi} A
	Octave Bands									
	1	2	3	4	5	6	7	8		
.000	78	77	80	77	72	71	64	58	14.8	79
.100	78	77	79	76	71	70	63	57	14.2	78
.125	78	77	79	76	71	70	63	57	14.1	78
.250	78	77	78	75	70	68	62	57	13.4	77
.375	77	77	77	74	68	67	61	56	12.7	76
.500	77	76	76	72	67	66	60	55	11.9	74
.625	78	75	75	70	66	65	59	55	11.2	73
.750	78	74	74	69	66	64	58	54	10.6	72

165SQ17D

SP	Sound Power re 10 ⁻¹² Watts								Sones	L _{wi} A
	Octave Bands									
	1	2	3	4	5	6	7	8		
.000	86	91	90	90	86	82	79	72	32	91
.100	86	91	90	90	86	82	79	72	31	91
.125	86	91	90	90	85	82	79	72	31	91
.250	86	91	89	89	85	81	78	72	31	91
.375	86	91	89	89	85	81	78	71	30	90
.500	86	91	89	89	85	80	77	71	30	90
.625	86	91	89	89	84	80	77	70	29	90
.750	86	91	89	88	84	79	76	70	29	89
.875	86	91	89	88	83	79	76	70	28	89
1.00	86	91	89	88	83	78	75	69	27	89
1.25	86	90	88	87	82	77	74	69	26	88
1.50	86	90	87	86	80	77	74	68	25	87
1.75	86	90	87	86	80	77	74	68	25	87

The sound power level ratings shown are in decibels referred to 10⁻¹² watts calculated per AMCA Standard 301. The A-weighted sound ratings shown have been calculated per AMCA Standard 301. Values shown are for inlet L_{wi} and inlet L_{wi}A sound power levels for Installation Type B: Free inlet, Ducted outlet. Ratings do not include the effects of duct end correction. The sound ratings shown are loudness values in fan sones at 5 ft. (1.5m) in a hemispherical free field calculated per AMCA Standard 301. The sound ratings shown are for nominal RPM. Values shown are for Installation Type B: free inlet fan sone levels.

Other Available Products

Visit lorencook.com to view our complete line of products!



ACE



CA-SWSI



QMX



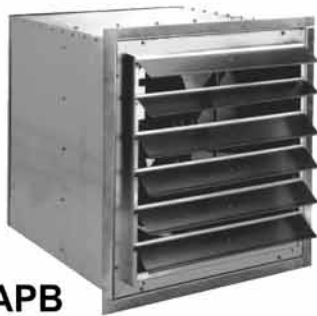
CA-DWDI



CVB



SQN



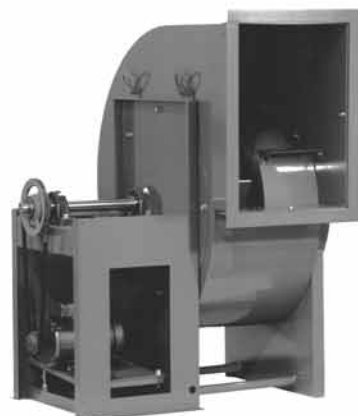
APB



IMH



KSP



CPS



XLWH



VCR