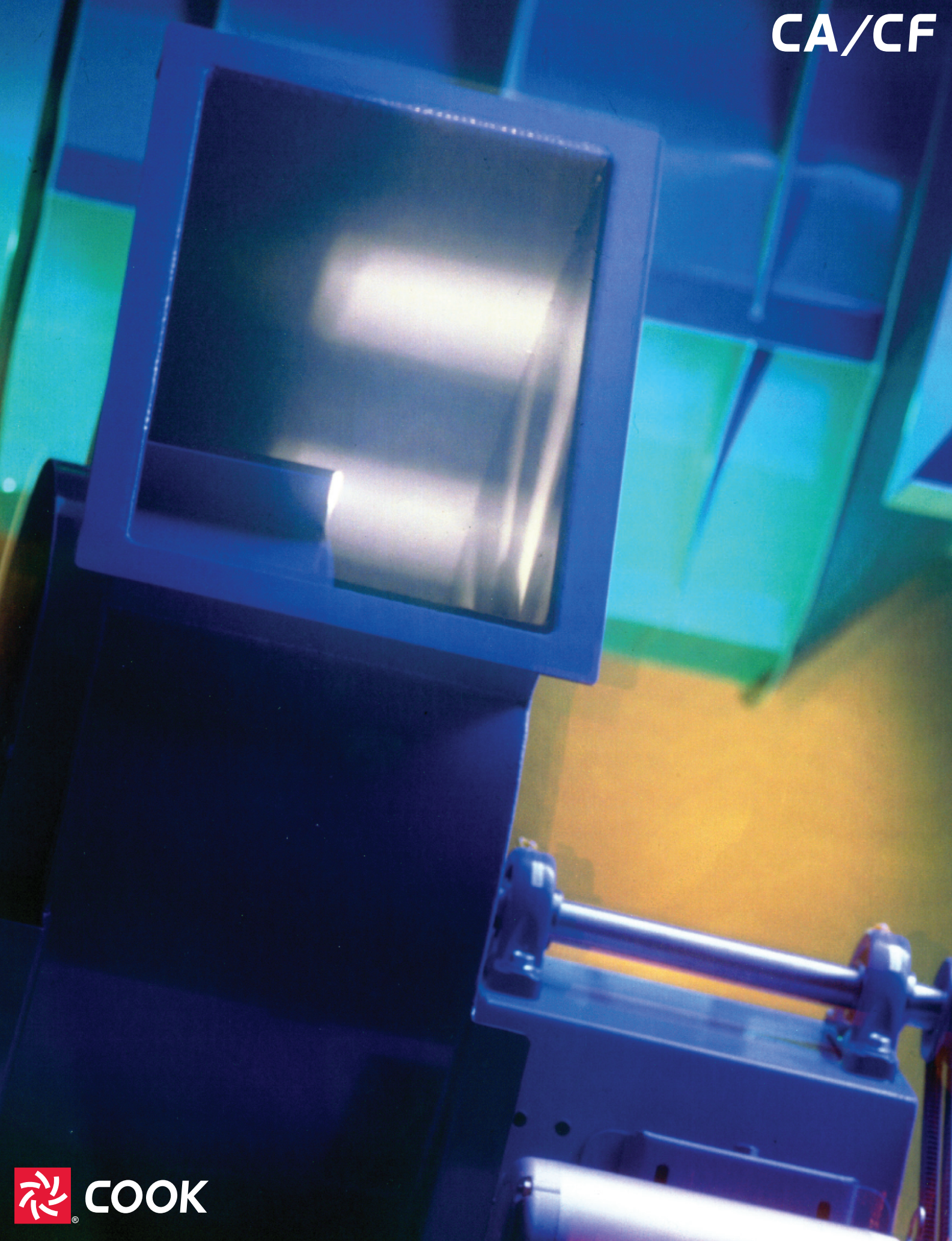
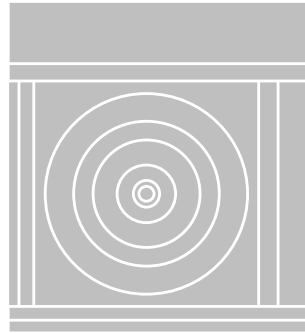
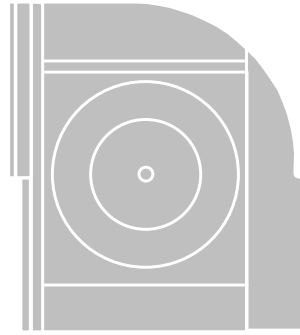


CA/CF



CA/CF

Steel Centrifugal Blowers



	Page
Introduction	2-3
Standard Construction Features	4-5
Specifications & Dimensions	
CA SWSI	6-7
CA-4 SWSI	8-9
CAF-DW	10-11
CA DWDI	12-13
CA-4 DWDI	14-15
CF	16-17
CF-4	18-19
Construction Information	20-22
Arrangements & Positions	23
Underwriters Laboratories Information	24
Accessories & Options	25-30
Performance Data	
CA SWSI & CF	31-50
CA DWDI & CAF-DW	51-60
Sound Data	
CA SWSI	61-70
CA DWDI & CAF-DW	71-80
CF	81-90

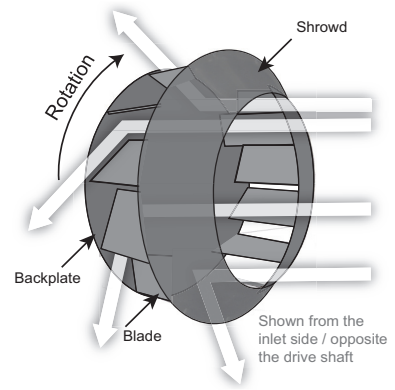
INTRODUCTION

The CA & CF centrifugal blowers are designed for heavy duty supply, exhaust or return air applications.

About Centrifugal Fans: A centrifugal wheel brings air in parallel to the axis of rotation and discharges air perpendicular to the axis of rotation. As a general rule, it is preferred for higher pressure exhaust and ducted systems.

CA centrifugal blowers are standard with a steel backward inclined, **airfoil** wheel. They are available in single and double width configurations. **CF centrifugal** blowers are standard with a steel backward inclined, **flat** blade wheel. They are available in single width configurations.

SWSI single width single inlet fans features one wheel, as shown to right. **DWDI double width double inlet** fans essentially have two wheels, with two inlets facing away from each other.



- Continuously welded housing to ensure a leak-proof enclosure and an all welded steel support structure for dependable, long lasting operational life.
- Outlet flanges standard.
- Lifting lugs are standard, to assist in handling and positioning of the fan.
- Available in up to seven AMCA standard discharges, in both clockwise and counter clockwise rotations.
- Produced in an ISO 9001 Certified facility.
- Licensed to bear AMCA Certified Ratings Seal for Sound & Air Performance.
- Listed by Underwriters Laboratory (UL 705) & UL Listed for Canada (cUL 705).
- UL/cUL 762 listing for restaurant applications and UL/cUL listing for "Power Ventilator for Smoke Control Systems" are available for CA SWSI & CF SWSI (Except Arrangement 3).

CA & CF SWSI

With 7 Standard Discharge Positions:

CA SWSI & CF

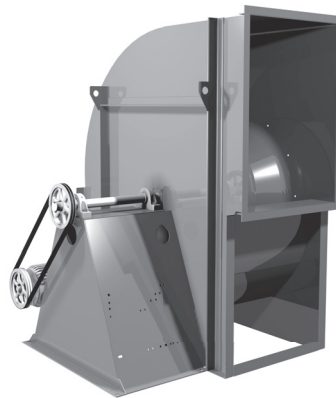
- Belt Drive
- Arrangements 1, 3, 9 & 10
- Inlet collars standard on Arrangements 1, 9 & 10 for easy connections to duct systems.
- 20 wheel sizes: 12 - 73"
- Static Pressure: 1 - 12"

Airfoil Wheel (CA SWSI)

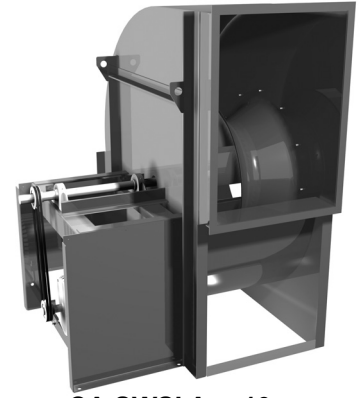
- Capacity: 700 - 209,000 CFM

Flat Blade Wheel (CF)

- Capacity: 950 - 198,000 CFM



CA SWSI Arr. 9



CA SWSI Arr. 10

With 4 Discharge Positions:

CA-4 & CF-4 SWSI

- Belt Drive
- More compact construction
- Arrangements 1, 2 and 3
- Inlet collars standard on Arrangement 1 & 2 for easy connections to duct systems.
- 18 wheel sizes: 12 - 60"
- Static Pressure: 1 - 12"

Airfoil Wheel (CA-4 SWSI)

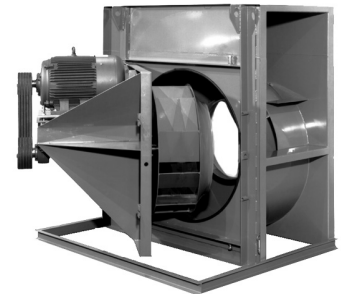
- Capacity: 700 - 144,000 CFM

Flat Blade Wheel (CF-4 SWSI)

- Capacity: 950 - 127,000 CFM



CA-4 SWSI Arr. 2

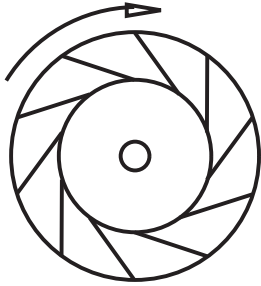


CA-4 Swing Out Arr. 2

Also Available (consult factory)

- **Direct drive**
- **Swing out construction** (on CA-4 SWSI & CF-4 SWSI) Arrangement 2 where the wheel and power assembly are mounted to a hinged door, for applications where frequent inspection and/or cleaning are required. Available on sizes 210 to 490.
- **Spark Resistant Construction**
- **Arrangements 4, 7 & 8**
- **Class IV**

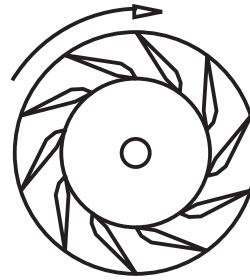
Flat blades vs Airfoil



Inlet side view

Backward Inclined Flat blades

Efficiency is slightly less than that of the airfoil design. Blades are single thickness metal inclined away from the direction of rotation. Air leaves the impeller at a velocity less than its tip speed. Relatively deep blades provide efficient expansion with the blade passages.



Inlet side view

Backward Inclined Airfoil

Has the highest efficiency of all of the centrifugal impeller designs with blades of airfoil contour curved away from the direction of rotation. Air leaves the impeller at a velocity less than its tip speed. Relatively deep blades provide for efficient expansion with the blade passages. For the given duty, the airfoil impeller design will provide for the highest speed of the centrifugal fan designs.

CA DWDI

With 7 Standard Discharge Positions: CA DWDI & CAF-DW

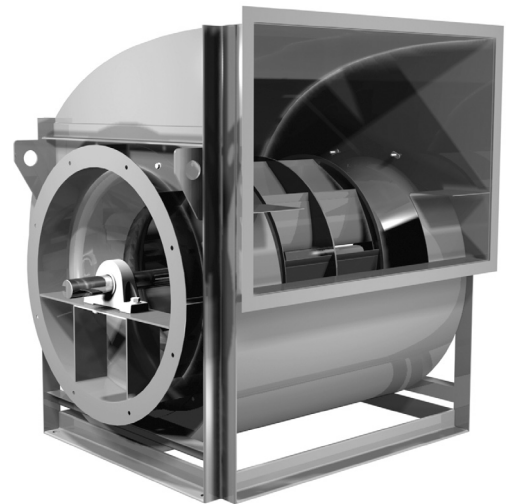
- Belt Drive
- Arrangement 3
- 20 Wheel Sizes: 12 - 73"
- Capacity: 900 - 375,000 CFM
- Static Pressure: 1 - 12"
- **Industrial Airfoil Wheel (CA DWDI)**
 - **Commercial Airfoil Wheel (CAF-DW)**
 - More compact construction

With 4 Discharge Positions: CA-4 DWDI

- **Airfoil Wheel (CA-4 DWDI)**
 - Belt Drive
 - More compact construction
 - Arrangement 3
 - 18 Wheel Sizes: 12 - 60"
 - Capacity: 900 - 261,000 CFM
 - Static Pressure: 1 - 12"

Also Available (consult factory)

- **Direct drive**
- **Arrangement 7**
- **Flat blade (CF-DW)**



CAF DW Arr. 3



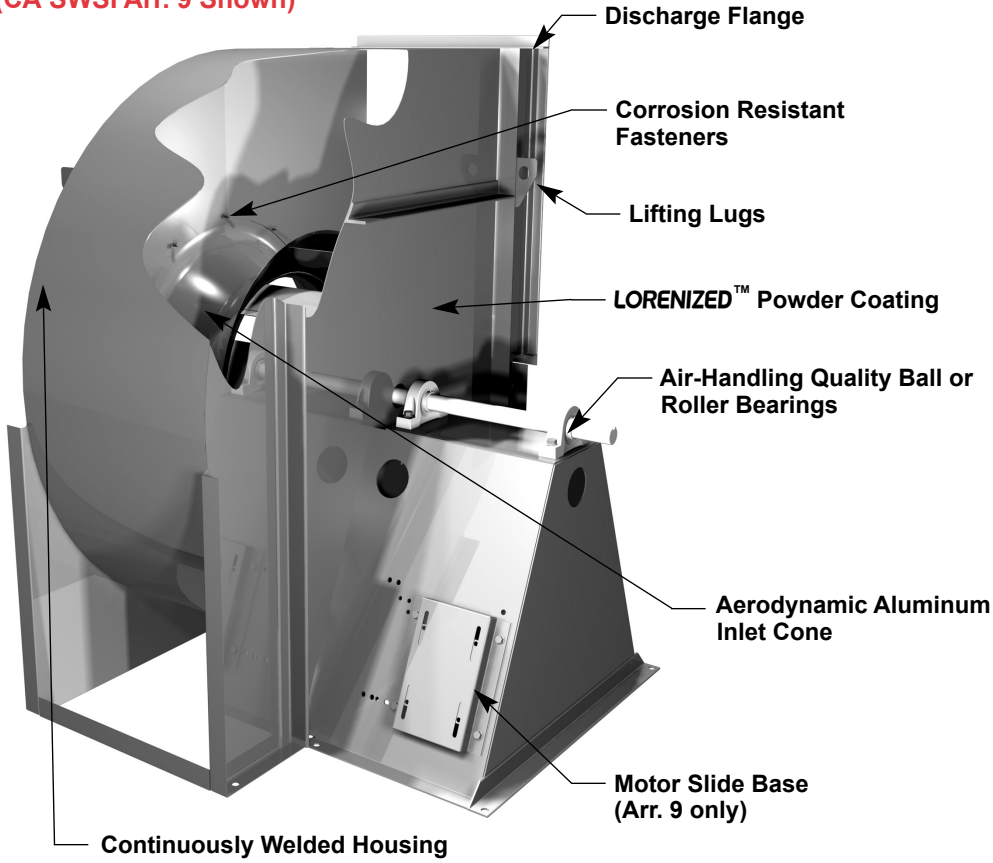
CA DWDI Arr. 3



CA-4 DWDI Arr. 3

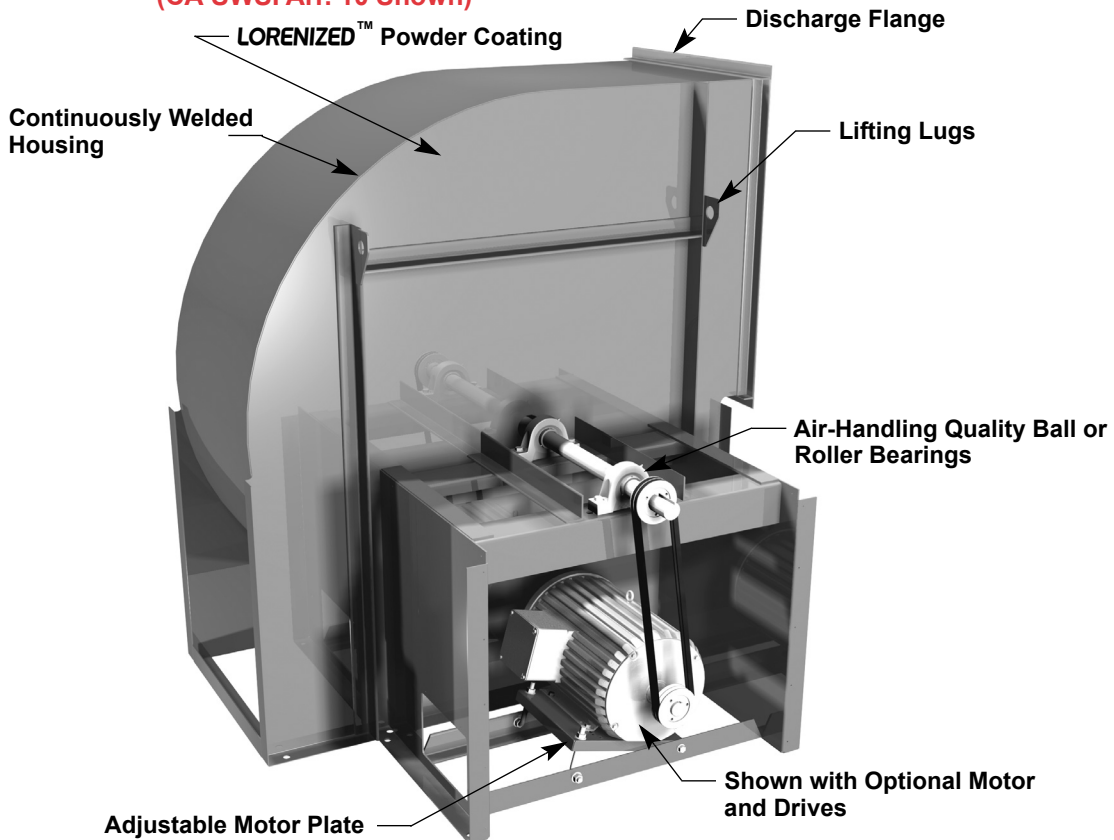
STANDARD CONSTRUCTION FEATURES

SWSI Arr. 1, 9 (CA SWSI Arr. 9 Shown)



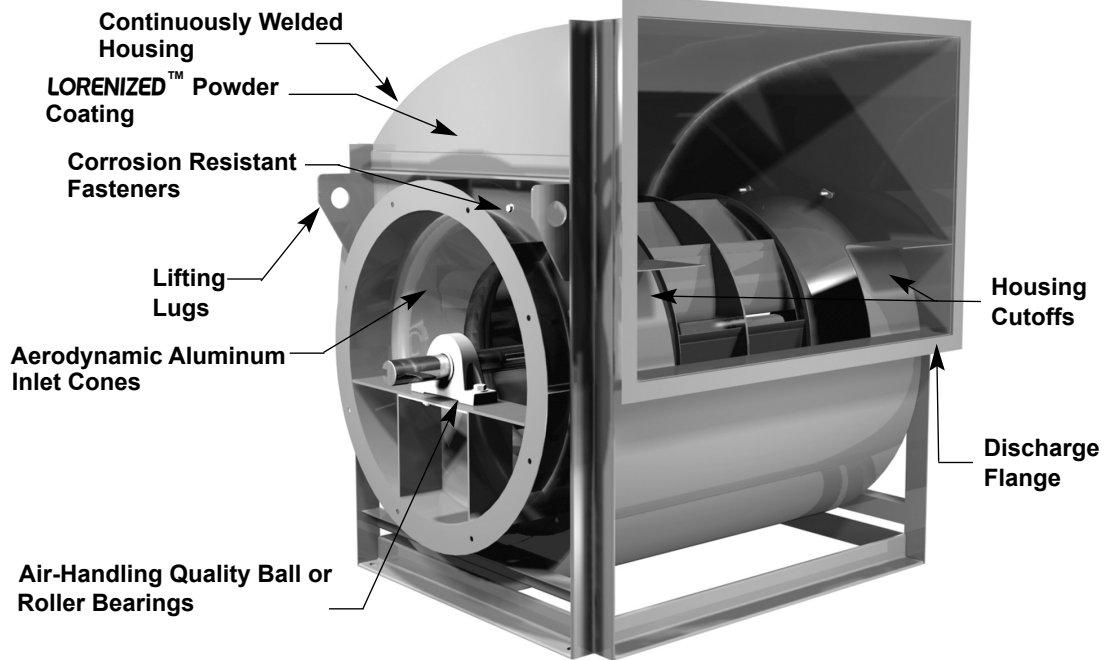
Standard Features Not Shown
Housing Cutoff
Inlet Collar
Engraved Aluminum Nameplate

SWSI (CA SWSI Arr. 10 Shown)

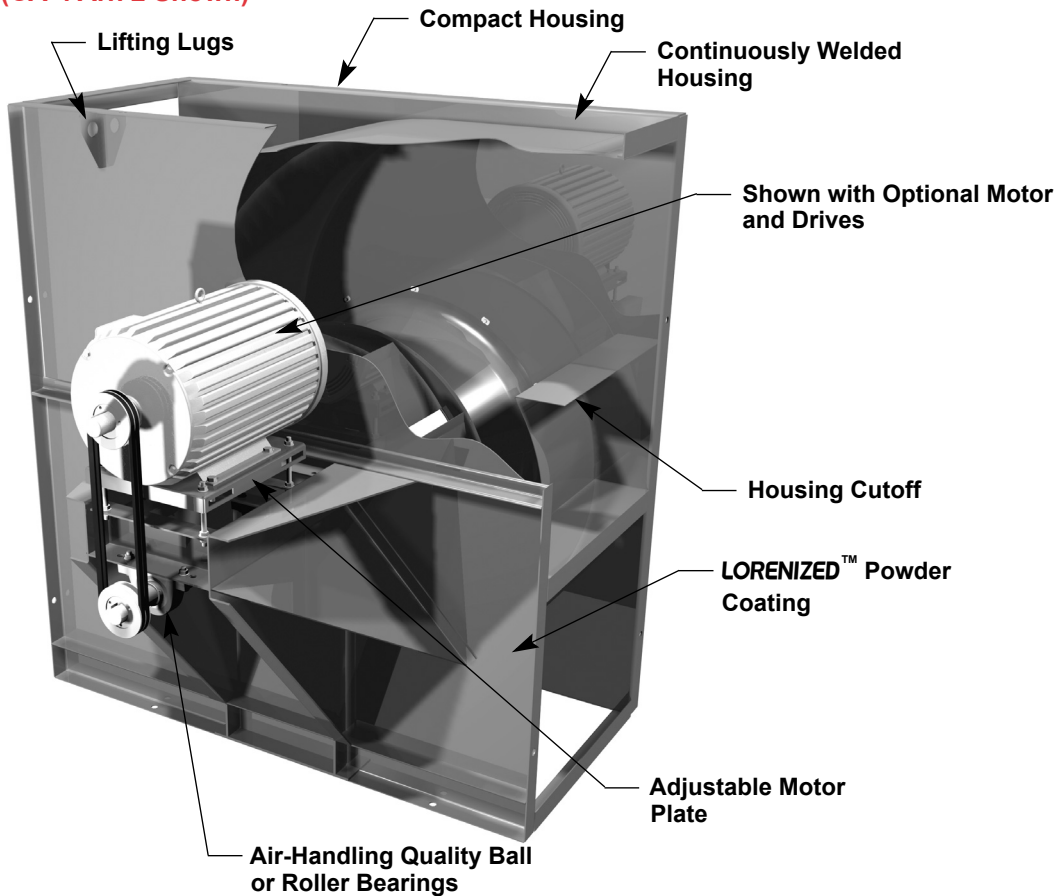


Standard Features Not Shown
Engraved Aluminum Nameplate

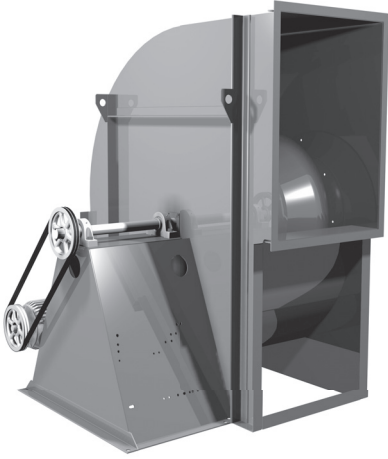
DWDI (CAF-DW Shown)



CA-4 (CA-4 Arr. 2 Shown)



**Airfoil Centrifugal Blower
Backward Inclined
Belt Drive
Single Width, Single Inlet**



Loren Cook Company certifies that the CA SWSI shown herein are licensed to bear the AMCA Seal. The ratings shown are based on tests and procedures performed in accordance with AMCA Publication 211 and AMCA Publication 311 and comply with the requirements of the AMCA Certified Ratings Program.



Type CA SWSI is furnished standard with UL 705 & cUL 705 listing (Power Ventilator/ZACT) when furnished with factory supplied motor.



Type CA SWSI is available with UL 762 and cUL 762 listing (Power Ventilator for Restaurant Exhaust Appliances/Y2HW).



Type CA SWSI is available with UL listing for "Power Ventilator for Smoke Control Systems."

Description - Fan shall be a single width, single inlet backward inclined airfoil blade steel wheel, belt driven centrifugal blower.

Certifications: Fan shall be manufactured at an ISO 9001 certified facility. Fan shall be listed by Underwriters Laboratories (UL 705) and UL listed for Canada (cUL 705). Fan shall bear the AMCA Certified Ratings Seal for Sound and Air Performance.

Construction: The fan shall be of bolted and welded construction utilizing corrosion resistant fasteners. The scroll wrapper and scroll side panels shall be a minimum 12 gauge steel. The entire fan housing shall have continuously welded seams for leak-proof operation and shall have a minimum 1-1/2" outlet discharge flange. A performance cut-off shall be furnished to prevent the recirculation of air in the fan housing. Bearing support shall be minimum 10 ga. welded steel. Lifting eyes shall be provided for ease of installation. Unit shall bear an engraved aluminum nameplate. Nameplate shall indicate design CFM, static pressure, and maximum fan RPM. Unit shall be shipped in ISTA Certified Transit Tested Packaging.

Coating: All steel fan components shall be **LORENIZED™** with an electrostatically applied, baked polyester powder coating. Each component shall be subject to a five stage environmentally friendly wash system, followed by a minimum 2 mil thick baked powder finish. Paint must exceed 1,000 hour salt spray under ASTM B117 test method.

Wheel: Wheel shall be steel, non-overloading, centrifugal backward inclined, airfoil type. Blades on all sizes shall be continuously welded to the backplate and deep spun inlet shroud. All sizes shall be keyed and securely attached to the fan shaft. Wheel shall overlap an aerodynamic aluminum inlet cone to provide maximum performance and efficiency. Wheel shall be balanced in accordance with AMCA Standard 204-05, Balance Quality and Vibration Levels for Fans.

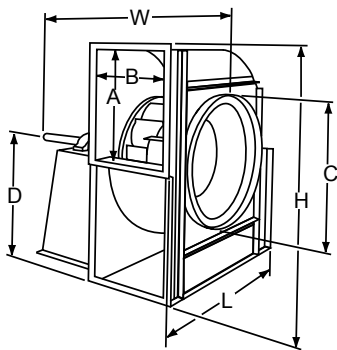
Motor: Motor shall be NEMA Design B with Class B insulation rated for continuous duty and furnished at the specified voltage, phase and enclosure.

Blower Shaft: Blower shaft shall be AISI C-1045 hot rolled and accurately turned, ground and polished. Shafting shall be sized for a critical speed of at least 125 percent of maximum RPM.

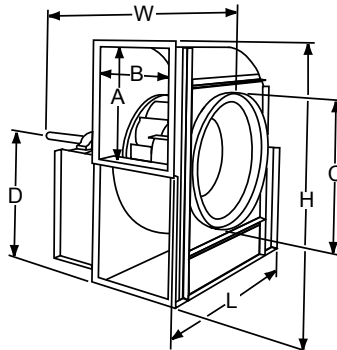
Bearings: Bearings shall be designed and tested specifically for use in air handling applications. Construction shall be heavy duty regreasable ball or roller type in a cast iron pillow block housing and selected for a minimum L50 life in excess of 200,000 hours at maximum cataloged operating speed.

Belts and Drives: Belts shall be oil and heat resistant, static conducting. Drives shall be precision machined cast iron type, keyed and securely attached to the wheel and motor shafts. Drives shall be sized for 150 percent of the installed motor horsepower. The variable pitch motor drive must be factory set to the specified fan RPM.

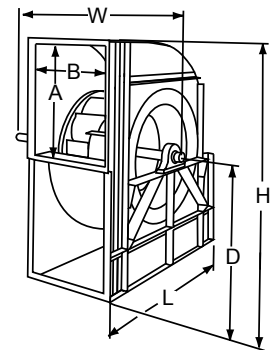
Product: Fan shall be model CA SWSI as manufactured by Loren Cook Company of Springfield, Missouri.



Arrangement 1 & 9



Arrangement 10



Arrangement 3

H and L are overall dimensions, including lift lugs, angle bracing and / or flanges.

CA SWSI Arrangement 1, 9 & 10 (7 Discharges) Dimensions

Size	A-I.D.	B-I.D.	C-O.D.	D		H						
				THD, DBD, TAD, UBD, TAU	BHD BAU	THD	UBD	BHD	DBD	BAU	TAU	TAD
120	13-1/8	9-3/16	16-1/8	13	16	30-3/16	25-1/8	29-7/8	28-9/16	29-1/16	30-3/4	29-3/8
135	14-3/4	10-5/16	17-5/8	14	17	32-13/16	27-1/8	32-1/8	30-15/16	31-3/16	33-15/16	31-7/8
150	16-7/16	11-7/16	19-1/8	15	19	35-7/16	29-1/8	35-5/16	33-3/8	34-5/16	36-7/8	34-7/16
165	18-1/16	12-5/8	21-3/16	17	21	39-1/16	32-1/8	38-9/16	36-13/16	37-3/8	40-15/16	37-15/16
180	19-11/16	13-3/4	22-11/16	18	22	41-11/16	34-1/4	40-3/4	39-1/4	39-9/16	44	40-9/16
195	21-5/16	14-15/16	24-3/16	20	24	45-5/16	37-1/16	44-1/16	38-1/2	38-5/8	48-1/16	39-15/16
210	23	16-1/16	25-5/16	21	26	46-1/16	39-3/8	47-1/4	40-15/16	41-3/4	51-3/16	42-3/8
225	24-5/8	17-3/16	27-7/16	23	28	49-5/8	42-5/8	46-1/4	44-3/8	44-7/8	55-3/16	45-15/16
245	26-13/16	18-3/4	29-7/16	25	30	53-3/4	46-3/8	49-7/8	48-1/4	48-3/8	59-15/16	49-15/16
270	29-9/16	20-5/8	31-15/16	27	33	58-1/2	50-1/2	54-15/16	52-13/16	53-1/4	65-7/16	54-5/8
300	32-13/16	22-15/16	34-15/16	30	36	64-3/4	56-1/8	60-3/8	58-1/2	58-7/16	72-9/16	60-9/16
330	36-1/8	25-1/4	37-15/16	33	39	71	61-5/8	65-13/16	64-3/8	63-11/16	80	66-11/16
365	39-15/16	27-7/8	41-7/16	36	43	77-7/8	67-11/16	72-5/8	70-5/8	70-5/16	87-7/8	73-5/16
402	44-1/16	30-3/4	45-3/16	40	47	87-7/16	74-15/16	79-5/8	78-1/4	77-1/8	97	81-1/8
445	48-11/16	34	49-7/16	44	52	96	82-9/16	88-1/8	86-1/4	85-1/4	106-13/16	89-5/16
490	53-5/8	37-7/16	55	48	57	104-7/8	90-7/16	96-3/4	94-1/2	93-5/8	117	97-7/8
540	59-1/16	41-1/4	60	53	62	115-7/16	99-3/4	105-13/16	104-1/4	102-5/16	128-15/16	108
600	65-5/8	45-13/16	66	59	69	129-3/8	110-15/16	117-11/16	116	113-13/16	143-3/16	120-1/16
660	72-3/16	50-7/16	72	65	75	141-15/16	122-1/8	128-9/16	127-13/16	124-1/4	157-1/2	132-3/16
730	79-7/8	55-3/4	79	72	83	156-1/2	135-1/8	142-1/4	141-5/16	137-1/2	174-3/8	146-7/16

Size	L					W	Max Motor Frame Size **	Approximate Shipping Weight *
	THD, BHD	DBD, UBD	BAU	TAU	TAD			
120	24-3/4	25-3/4	29-3/4	24	33-3/8	26-1/4	145T	215
135	27-1/4	28-3/4	32-3/4	27	36-5/16	27-3/8	145T	271
150	29-1/4	31-5/8	35-13/16	29	39-7/8	30-1/2	184T	331
165	31-3/4	34-3/8	39-7/8	32	43-1/2	32-5/8	184T	395
180	34	37-1/8	42-15/16	35	46-7/16	36-1/4	215T	462
195	36-1/2	40	46	37	51-1/2	37-1/2	215T	533
210	41-1/4	42-7/8	50-1/8	40	54-3/4	41-1/8	256T	608
225	43-1/4	45-3/4	53-3/16	42	58-3/8	42-1/4	256T	687
245	46-1/4	49-1/2	57-15/16	46	63-3/16	46-1/4	286T	797
270	50-1/4	54-3/4	63-5/16	50	68-1/8	48-5/8	286T	945
300	55-5/8	60	70-1/2	56	74-11/16	53-1/2	326T	1135
330	61	65-3/4	77-15/16	61	82-1/4	56-1/4	326T	1341
365	67-1/4	72-3/8	85-13/16	67	89-5/8	63-1/4	326T	1600
402	74-1/8	80-3/8	94	73	99-9/16	67-11/16	326T	1895
445	81-3/4	88-1/2	104-3/8	81	108-1/4	75-7/16	326T	2268
490	90	97	114	89	118-11/16	79-7/16	404T	2690
540	99	106-5/8	124-15/16	97	131-1/2	87-11/16	404T	3199
600	109 7/8	118	138-1/4	108	143-1/8	92-11/16	404T	3864
660	120 7/8	129-3/8	152-7/16	119	159	101-15/16	404T	4589
730	133 1/2	142-5/8	169-1/4	131	173	107-11/16	404T	5510

CA SWSI Arrangement 3 (7 Discharges) Dimensions

Size	A-I.D., B-I.D., D,H,L	W	Approximate Shipping Weight *
120	Same as Arrangement 1, 9 & 10	19-7/16	161
135		20-9/16	200
150		21-11/16	242
165		23-7/8	288
180		25-1/2	337
195		26-11/16	390
210		28-5/16	446
225		29-7/16	505
245		32-1/2	590
270		34-7/8	704
300		37-11/16	853
330		40-1/2	1014
365		43-5/8	1218
402		47-1/8	1452
445		50-7/8	1747
490		55-13/16	2081
540	62-1/8	2484	
600	67-5/16	3008	
660	74-7/16	3577	
730	80-1/4	4297	

Dimension Notes:
 I.D. = Inner Dimensions
 O.D. = Outer Dimensions
Discharges (See Page 23):
 THD = Top Horizontal
 TAU = Top Angular Up
 TAD = Top Angular Down
 BHD = Bottom Horizontal
 BAU = Bottom Angular Up
 DBD = Downblast
 UBD = Upblast

*Weight in pounds. Class I only. For Class II add 10%. For Class III add 20% **Maximum motor frame for Arrangement 9 & 10; based on single speed ODP motor.

Airfoil Centrifugal Blower Backward Inclined Belt Drive Single Width, Single Inlet



Loren Cook Company certifies that the CA-4 SWSI shown herein are licensed to bear the AMCA Seal. The ratings shown are based on tests and procedures performed in accordance with AMCA Publication 211 and AMCA Publication 311 and comply with the requirements of the AMCA Certified Ratings Program.

Type CA-4 SWSI is furnished standard with UL 705 & cUL 705 listing (Power Ventilator/ZACT) when furnished with factory supplied motor.

Type CA-4 SWSI is available with UL 762 and cUL 762 listing (Power Ventilator for Restaurant Exhaust Appliances/Y2HW).

Type CA SWSI is available with UL listing for "Power Ventilator for Smoke Control Systems."

Description: Fan shall be a rectangular, single width, single inlet backward inclined airfoil blade steel wheel, belt driven centrifugal blower.

Certifications: Fan shall be manufactured at an ISO 9001 certified facility. Fan shall be listed by Underwriters Laboratories (UL 705) and UL listed for Canada (cUL 705). Fan shall bear the AMCA Certified Ratings Seal for Sound and Air Performance.

Construction: The fan shall be of bolted and welded construction utilizing corrosion resistant fasteners. The scroll wrapper and scroll side panels shall be a minimum 12 gauge steel. The entire fan housing shall have continuously welded seams for leak-proof operation and shall have a minimum 2" outlet discharge flange. A performance cut-off shall be furnished to prevent the recirculation of air in the fan housing. Bearing support shall be minimum 10 ga. welded steel. Lifting eyes shall be provided for ease of installation. Unit shall bear an engraved aluminum nameplate. Nameplate shall indicate design CFM, static pressure, and maximum fan RPM. Unit shall be shipped in ISTA Certified Transit Tested Packaging.

Coating: All steel fan components shall be **LORENIZED™** with an electrostatically applied, baked polyester powder coating. Each component shall be subject to a five stage environmentally friendly wash system, followed by a minimum 2 mil thick baked powder finish. Paint must exceed 1,000 hour salt spray under ASTM B117 test method.

Wheel: Wheel shall be steel, non-overloading, centrifugal backward inclined, airfoil type. Blades on all sizes shall be continuously welded to the backplate and deep spun inlet shroud. All sizes shall be securely keyed to the fan shaft. Wheel shall overlap an aerodynamic aluminum inlet cone to provide maximum performance and efficiency. Wheel shall be balanced in accordance with AMCA Standard 204-05, Balance Quality and Vibration Levels for Fans.

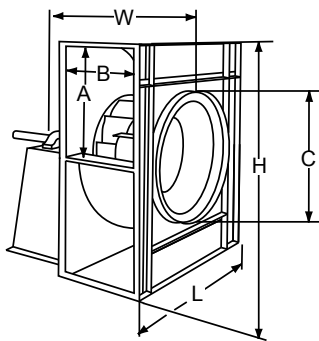
Motor: Motor shall be NEMA Design B with Class B insulation rated for continuous duty and furnished at the specified voltage, phase and enclosure.

Blower Shaft - Blower shaft shall be AISI C-1045 hot rolled and accurately turned, ground and polished. Shafting shall be sized for a critical speed of at least 125 percent of maximum RPM.

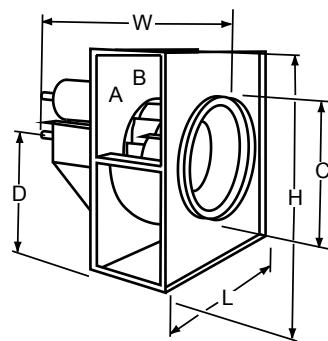
Bearings: Bearings shall be designed and tested specifically for use in air handling applications. Construction shall be heavy duty regreasable ball or roller type in a cast iron pillow block housing and selected for a minimum L50 life in excess of 200,000 hours at maximum cataloged operating speed.

Belts and Drives: Belts shall be oil and heat resistant, static conducting. Drives shall be precision machined cast iron type, keyed and securely attached to the wheel and motor shafts. Drives shall be sized for 150 percent of the installed motor horsepower. The variable pitch motor drive must be factory set to the specified fan RPM.

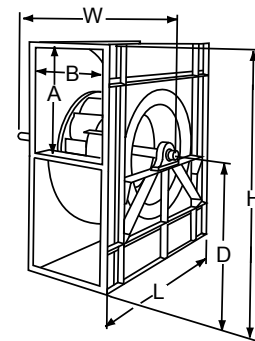
Product: Fan shall be model CA-4 SWSI as manufactured by Loren Cook Company of Springfield, Missouri.



Arrangement 1



Arrangement 2



Arrangement 3

CA-4 SWSI Dimension Data Arrangement 1

Size	A-I.D.	B-I.D.	C-O.D.	D			H		L		W	Approximate Shipping Weight *
				THD/DBD	UBD	BHD	THD, BHD	DBD, UBD	THD, BHD	DBD, UBD		
120	13-1/8	9-3/16	16-1/4	10-3/4	12-3/8	15	25-3/4	22-3/4	22-3/4	25-3/4	34-13/16	226
135	14-3/4	10-5/16	17-3/4	12	13-7/8	16-3/4	28-3/4	25-1/2	25-1/2	28-3/4	35-15/16	285
150	16-7/16	11-7/16	19-1/4	13-1/4	15-1/4	18-3/8	31-5/8	28-1/8	28-1/8	31-5/8	37-1/16	348
165	18-1/16	12-5/8	21-1/4	14-3/8	16-5/8	20	34-3/8	30-7/8	30-7/8	34-3/8	38-1/4	415
180	19-11/16	13-3/4	22-3/4	15-5/8	18-1/8	21-1/2	37-1/8	33-5/8	33-5/8	37-1/8	42-1/8	485
195	21-5/16	14-15/16	24-1/4	16-3/4	19-1/2	23-1/4	40	36-1/4	36-1/4	40	43-5/16	560
210	23	16-1/16	26	18	21	24-7/8	42-7/8	39-1/8	39-1/8	42-7/8	46-7/16	638
225	24-5/8	17-3/16	27-1/2	19-1/4	22-3/8	26-1/2	45-3/4	41-3/4	41-3/4	45-3/4	47-9/16	721
245	26-13/16	18-3/4	29-1/2	20-7/8	24-1/4	28-5/8	49-1/2	45-3/8	45-3/8	49-1/2	50-9/16	837
270	29-9/16	20-5/8	32	23-3/8	26-5/8	31-3/8	54-3/4	49-7/8	49-7/8	54-3/4	52-7/16	992
300	32-13/16	22-15/16	35	25-3/8	29-1/2	34-5/8	60	55-3/8	55-3/8	60	57-11/16	1192
330	36-1/8	25-1/4	38	27-7/8	32-3/8	37-7/8	65-3/4	60-3/4	60-3/4	65-3/4	60	1408
365	39-15/16	27-7/8	41-1/2	30-5/8	35-5/8	41-3/4	72-3/8	67	67	72-3/8	64-7/8	1680
402	44-1/16	30-3/4	45-1/4	33-5/8	39-1/4	46-3/4	80-3/8	73-7/8	73-7/8	80-3/8	68-1/16	1990
445	48-11/16	34	49-1/2	37-1/8	43-1/4	51-3/8	88-1/2	81-1/2	81-1/2	88-1/2	73-1/16	2381
490	53-5/8	37-7/16	55	40-3/4	47-1/2	56-1/4	97	89-3/4	89-3/4	97	76-1/2	2824
540	59-1/16	41-1/4	60	44-7/8	52-1/4	61-3/4	106-5/8	98-3/4	98-3/4	106-5/8	81-5/8	3359
600	65-5/8	45-13/16	66	49-3/4	58	68-1/4	118	109-5/8	109-5/8	118	86-3/16	4057

* Weight in pounds. Class I only. For Class II add 10%. For Class III add 20%.

CA-4 SWSI Dimension Data Arrangement 2

Size	A-I.D.	B-I.D.	C-O.D.	D				H		L		W	Max Motor Frame Size **	Approximate Shipping Weight *
				THD	UBD	BHD	DBD	THD, BHD	UBD, DBD	THD, BHD	UBD, DBD			
120	13-1/8	9-3/16	16-1/4	10-3/4	12-3/8	15	10-3/8	25-3/4	22-3/4	22-3/4	25-3/4	34-13/16	145T	226
135	14-3/4	10-5/16	17-3/4	12	13-7/8	16-3/4	11-5/8	28-3/4	25-1/2	25-1/2	28-3/4	35-15/16	145T	285
150	16-7/16	11-7/16	19-1/4	13-1/4	15-1/4	18-3/8	12-7/8	31-5/8	28-1/8	28-1/8	31-5/8	37-1/16	182T	348
165	18-1/16	12-5/8	21-1/4	14-3/8	16-5/8	20	14-1/4	34-3/8	30-7/8	30-7/8	34-3/8	38-1/4	182T	415
180	19-11/16	13-3/4	22-3/4	15-5/8	18-1/8	21-1/2	15-1/2	37-1/8	33-5/8	33-5/8	37-1/8	42-1/8	184T	485
195	21-5/16	14-15/16	24-1/4	16-3/4	19-1/2	23-1/4	16-3/4	40	36-1/4	36-1/4	40	43-5/16	184T	560
210	23	16-1/16	26	18	21	24-7/8	18-1/8	42-7/8	39-1/8	39-1/8	42-7/8	47-7/16	184T	638
225	24-5/8	17-3/16	27-1/2	19-1/4	22-3/8	26-1/2	19-3/8	45-3/4	41-3/4	41-3/4	45-3/4	48-9/16	213T	721
245	26-13/16	18-3/4	29-1/2	20-7/8	24-1/4	28-5/8	21-1/8	49-1/2	45-3/8	45-3/8	49-1/2	50-9/16	213T	837
270	29-9/16	20-5/8	32	23-3/8	26-5/8	31-3/8	23-1/4	54-3/4	49-7/8	49-7/8	54-3/4	52-7/16	215T	992
300	32-13/16	22-15/16	35	25-3/8	29-1/2	34-5/8	25-7/8	60	55-3/8	55-3/8	60	57-11/16	254T	1192
330	36-1/8	25-1/4	38	27-7/8	32-3/8	37-7/8	28-3/8	65-3/4	60-3/4	60-3/4	65-3/4	60	254T	1408
365	39-15/16	27-7/8	41-1/2	30-5/8	35-5/8	41-3/4	31-3/8	72-3/8	67	67	72-3/8	64-7/8	256T	1680
402	44-1/16	30-3/4	45-1/4	33-5/8	39-1/4	46-3/4	34-5/8	80-3/8	73-7/8	73-7/8	80-3/8	68-1/16	256T	1990
445	48-11/16	34	49-1/2	37-1/8	43-1/4	51-3/8	38-1/4	88-1/2	81-1/2	81-1/2	88-1/2	73-1/16	286T	2381
490	53-5/8	37-7/16	55	40-3/4	47-1/2	56-1/4	42-1/4	97	89-3/4	89-3/4	97	76-1/2	286T	2824
540	59-1/16	41-1/4	60	44-7/8	52-1/4	61-3/4	46-1/2	106-5/8	98-3/4	98-3/4	106-5/8	81-5/8	324T	3359
600	65-5/8	45-13/16	66	49-3/4	58	68-1/4	51-5/8	118	109-5/8	109-5/8	118	86-3/16	324T	4057

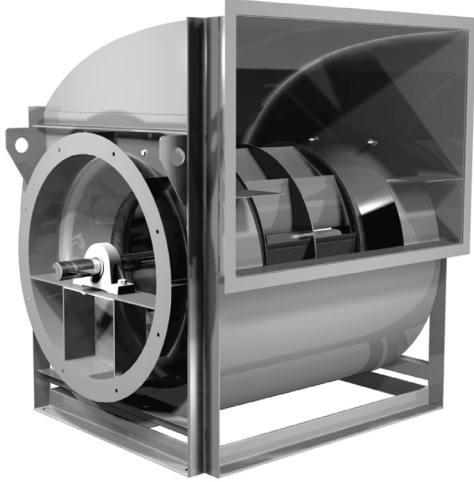
* Weight in pounds. Class I only. **Max Motor Frame is based on ODP single speed motor.

CA-4 SWSI Dimension Data Arrangement 3

Size	A-I.D.	B-I.D.	D				H		L		W	Approximate Shipping Weight *
			THD	UBD	BHD	DBD	THD, BHD	UBD, DBD	THD, BHD	UBD, DBD		
120	13-1/8	9-3/16	10-3/4	12-3/8	15	10-3/8	25-3/4	22-3/4	22-3/4	25-3/4	18-7/8	169
135	14-3/4	10-5/16	12	13-7/8	16-3/4	11-5/8	28-3/4	25-1/2	25-1/2	28-3/4	20	210
150	16-7/16	11-7/16	13-1/4	15-1/4	18-3/8	12-7/8	31-5/8	28-1/8	28-1/8	31-5/8	21-1/8	254
165	18-1/16	12-5/8	14-3/8	16-5/8	20	14-1/4	34-3/8	30-7/8	30-7/8	34-3/8	23-15/16	302
180	19-11/16	13-3/4	15-5/8	18-1/8	21-1/2	15-1/2	37-1/8	33-5/8	33-5/8	37-1/8	24-15/16	354
195	21-5/16	14-15/16	16-3/4	19-1/2	23-1/4	16-3/4	40	36-1/4	36-1/4	40	27-3/16	409
210	23	16-1/16	18	21	24-7/8	18-1/8	42-7/8	39-1/8	39-1/8	42-7/8	28-13/16	468
225	24-5/8	17-3/16	19-1/4	22-3/8	26-1/2	19-3/8	45-3/4	41-3/4	41-3/4	45-3/4	29-15/16	531
245	26-13/16	18-3/4	20-7/8	24-1/4	28-5/8	21-1/8	49-1/2	45-3/8	45-3/8	49-1/2	32	620
270	29-9/16	20-5/8	23-3/8	26-5/8	31-3/8	23-1/4	54-3/4	49-7/8	49-7/8	54-3/4	34-3/8	739
300	32-13/16	22-15/16	25-3/8	29-1/2	34-5/8	25-7/8	60	55-3/8	55-3/8	60	37-3/16	896
330	36-1/8	25-1/4	27-7/8	32-3/8	37-7/8	28-3/8	65-3/4	60-3/4	60-3/4	65-3/4	40	1065
365	39-15/16	27-7/8	30-5/8	35-5/8	41-3/4	31-3/8	72-3/8	67	67	72-3/8	43-1/8	1279
402	44-1/16	30-3/4	33-5/8	39-1/4	46-3/4	34-5/8	80-3/8	73-7/8	73-7/8	80-3/8	46-5/8	1525
445	48-11/16	34	37-1/8	43-1/4	51-3/8	38-1/4	88-1/2	81-1/2	81-1/2	88-1/2	50-3/8	1834
490	53-5/8	37-7/16	40-3/4	47-1/2	56-1/4	42-1/4	97	89-3/4	89-3/4	97	55-5/16	2186
540	59-1/16	41-1/4	44-7/8	52-1/4	61-3/4	46-1/2	106-5/8	98-3/4	98-3/4	106-5/8	61-5/8	2608
600	65-5/8	45-13/16	49-3/4	58	68-1/4	51-5/8	118	109-5/8	109-5/8	118	66-11/16	3159

* Weight in pounds. Class I only. For Class II add 10%. For Class III add 20%.

**Airfoil Centrifugal Blower
Backward Inclined
Belt Drive
Double Width,
Double Inlet**



Loren Cook Company certifies that the CAF-DW shown herein are licensed to bear the AMCA Seal. The ratings shown are based on tests and procedures performed in accordance with AMCA Publication 211 and AMCA Publication 311 and comply with the requirements of the AMCA Certified Ratings Program.



Type CAF-DW is furnished standard with UL 705 & cUL 705 listing (Power Ventilator/ZACT) when furnished with factory supplied motor.

Description: Fan shall be a double width, double inlet backward inclined airfoil, belt driven centrifugal blower.

Certifications: Fan shall be manufactured at an ISO 9001 certified facility. Fan shall be listed by Underwriters Laboratories (UL 705) and UL listed for Canada (cUL 705). Fan shall bear the AMCA Certified Ratings Seal for Sound and Air Performance.

Construction: The fan shall be of bolted and welded construction utilizing corrosion resistant fasteners. The scroll wrapper and scroll side panels shall be a minimum 16 gauge steel. The entire fan housing shall have continuously welded seams for leak-proof operation and shall have a minimum 1" outlet discharge flange. A performance cut-off shall be furnished to prevent the recirculation of air in the fan housing. Bearing support shall be minimum 12 gauge steel. Lifting lugs shall be provided for ease of installation. Unit shall bear an engraved aluminum nameplate. Nameplate shall indicate design CFM, static pressure, and maximum fan RPM. Unit shall be shipped in ISTA Certified Transit Tested Packaging.

Coating: Steel fan components shall be **LORENIZED™** with an electrostatically applied, baked polyester powder coating. Each component shall be subject to a five stage environmentally friendly wash system, followed by a minimum 2 mil thick baked powder finish. Paint must exceed 1,000 hour salt spray under ASTM B117 test method.

Wheel: Wheel shall be steel, non-overloading, centrifugal backward inclined, airfoil type. Blades on all sizes shall be continuously welded to the backplate and deep spun inlet shrouds. All sizes shall be keyed and securely attached to the fan shaft. Wheel shall overlap aerodynamic aluminum inlet cones to provide maximum performance and efficiency. Wheel shall be balanced in accordance with AMCA Standard 204-05, Balance Quality and Vibration Levels for Fans.

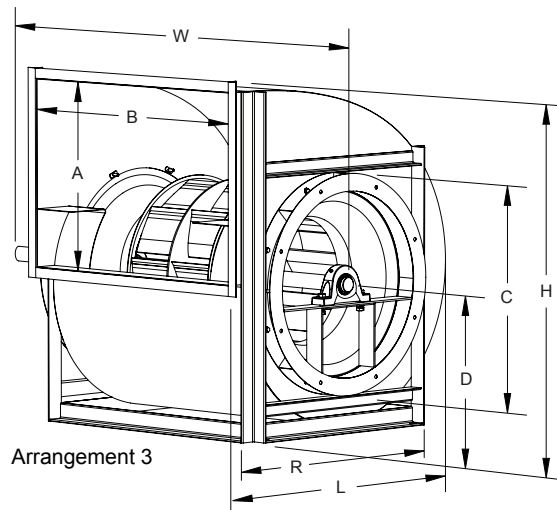
Motor: Motor shall be NEMA Design B with Class B insulation rated for continuous duty and furnished at the specified voltage, phase and enclosure.

Blower Shaft: Blower shaft shall be AISI C-1045 hot rolled and accurately turned, ground and polished. Shafting shall be sized for a critical speed of at least 125 percent of maximum RPM.

Bearings: Bearings shall be designed and tested specifically for use in air handling applications. Construction shall be heavy duty regreasable ball or roller type in a cast iron pillow block housing and selected for a minimum L50 life in excess of 200,000 hours at maximum cataloged operating speed.

Belts and Drives: Belts shall be oil and heat resistant, static conducting. Drives shall be precision machined cast iron type, keyed and securely attached to the wheel and motor shafts. Drives shall be sized for 150 percent of the installed motor horsepower. The variable pitch motor drive must be factory set to the specified fan RPM.

Product: Fan shall be model CAF-DW as manufactured by Loren Cook Company of Springfield, Missouri.



CAF-DW Dimension Data Arrangement 3

Size	A	B	C	D						H											
				THD		UBD		BHD		DBD		THD			UBD		BHD			DBD	
				All	All	Class I	Class II	Class III	All	Class I	Class II	Class III	All	Class I	Class II	Class III	All	Class I	Class II	Class III	All
120	12-1/8	17-11/16	16-1/8	10-3/16	11-7/16	14-3/4	14-3/4	15-3/4	9-5/8	23-15/16	23-15/16	23-15/16	21-1/16	24	24	25	20-1/16				
135	13-5/8	19-15/16	17-7/8	11-5/16	12-3/4	16-5/16	16-7/16	17-3/8	10-13/16	26-11/16	26-11/16	26-11/16	23-9/16	26-11/16	26-13/16	27-3/4	22-9/16				
150	15-1/4	22	19-3/8	12-7/16	14-1/16	17-15/16	17-15/16	18-15/16	12	29-3/8	29-3/8	29-3/8	26-1/16	29-7/16	29-7/16	30-7/16	25-1/16				
165	16-15/16	24	21-1/8	13-9/16	15-3/8	19-1/2	19-1/2	20-1/2	13-1/8	32-1/16	32-1/16	32-1/16	28-1/2	32-3/16	32-3/16	33-3/16	27-1/2				
180	18-1/2	26-1/16	22-5/8	14-3/4	16-11/16	21-1/8	21-1/8	22-1/8	14-5/16	34-7/8	34-7/8	34-15/16	31	34-15/16	34-15/16	35-15/16	30				
195	19-1/2	28-7/16	24-3/8	15-7/8	17-15/16	22-3/4	22-3/4	23-11/16	15-1/2	37-5/8	37-5/8	38-9/16	33-7/16	37-11/16	37-11/16	38-5/8	32-7/16				
210	21-5/8	30-3/8	25-7/8	17	19-1/4	24-3/8	24-3/8	25-5/16	16-11/16	40-3/8	40-3/8	41-5/16	35-15/16	40-1/2	40-7/16	41-7/16	34-15/16				
225	23-3/16	32-1/2	27-5/8	18-3/16	20-9/16	26-7/16	26-7/16	26-7/16	17-13/16	43-5/8	43-5/8	44-1/8	38-3/8	43-11/16	43-11/16	44-1/8	37-3/8				
245	25-1/2	35-1/16	29-5/8	19-11/16	22-5/16	28-9/16	28-9/16	30	19-3/8	47-1/4	47-1/4	47-3/4	41-11/16	47-5/16	47-5/16	48-3/4	40-11/16				
270	27-1/2	39-7/16	32-3/8	21-5/8	24-1/2	31-3/16	31-3/16	32-5/8	21-5/16	51-13/16	51-13/16	52-5/16	45-13/16	51-7/8	51-7/8	53-5/16	44-13/16				
300	31-3/16	43	35-3/8	23-7/8	27-1/16	34-3/8	34-3/8	35-13/16	23-11/16	57-1/4	57-1/4	57-3/4	50-3/4	57-5/16	57-5/16	58-3/4	49-3/4				
330	34-1/2	47-1/16	38-5/8	26-3/16	29-11/16	38-1/16	38-1/16	40	26-1/16	63-1/4	63-1/4	63-1/4	55-11/16	63-5/16	63-5/16	65-1/4	54-11/16				
365	38-11/16	52-3/16	42-3/8	28-7/8	32-3/4	41-13/16	41-13/16	43-3/4	28-3/4	69-5/8	69-5/8	70-3/16	61-1/2	69-11/16	69-11/16	71-11/16	60-1/2				
402	41-3/4	57-13/16	46-3/8	31-11/16	35-15/16	46-5/8	46-5/8	48-5/8	31-5/8	76-3/8	76-3/8	76-7/8	67-9/16	77-3/8	77-3/8	79-7/16	66-5/8				
445	45-15/16	64-1/4	50-5/8	34-15/16	39-11/16	51-3/16	51-3/16	53-1/4	35	84-3/16	84-3/16	84-3/4	74-11/16	85-1/4	85-1/4	87-5/16	73-11/16				
490	51	70-7/8	55-3/8	38-3/8	43-9/16	55-15/16	56-15/16	60	38-9/16	92-3/8	92-3/8	92-15/16	82-1/8	93-7/16	94-7/16	97-1/2	81-1/8				
540	55-3/4	77-15/16	60-3/8	42-5/16	47-15/16	61-1/4	62-5/16	65-5/16	42-7/16	101-5/8	102-3/16	102-3/16	90-3/8	102-9/16	103-11/16	106-11/16	89-3/8				
600	62-3/16	86-1/4	66-3/8	47	53-3/16	68-5/8	69-5/8	71-11/16	47-1/8	112-11/16	113-3/16	113-1/4	100-5/16	114-9/16	115-9/16	117-5/8	99-5/16				
660	68-7/16	94-7/8	72-3/8	51-11/16	58-3/8	76	76	-	51-13/16	123-3/4	124-1/4	-	110-3/16	126-1/2	126-1/2	-	109-3/16				
730	75-13/16	104-3/4	79-3/8	57-3/16	64-7/16	83-3/8	83-7/16	-	57-5/16	137-1/8	137-3/16	-	121-11/16	139-3/16	139-5/16	-	120-3/4				

Size	L									R					
	THD, BHD			UBD			DBD			THD, UBD, BHD			DBD		
	Class I	Class II	Class III	Class I	Class II	Class III	Class I	Class II	Class III	Class I	Class II	Class III	Class I	Class II	Class III
120	20-1/16	20-1/16	20-1/16	23-1/16	23-1/16	23	23-3/8	23-3/8	23-5/16	19-1/4	19-1/4	19-1/16	23-3/8	23-3/8	23-5/16
135	22-9/16	22-9/16	22-9/16	25-3/4	25-3/4	25-3/4	25-7/8	25-7/8	25-3/4	21	21	20-3/4	25-7/8	25-7/8	25-3/4
150	25-1/16	25-1/16	25-1/16	28-7/16	28-7/16	28-7/16	28-7/16	28-11/16	28-7/16	22-1/2	23-1/2	22-1/4	28-3/16	28-11/16	28-1/8
165	27-1/2	27-1/2	27-1/2	31-3/16	31-3/16	31-3/16	31-3/16	31-3/16	31-3/16	24-1/4	25-1/4	24	30-5/8	31-5/8	30-9/16
180	30	30	30	34	34	34	33-15/16	33-15/16	33-15/16	26-3/4	26-3/4	25-1/2	33-1/2	33-1/2	32-7/8
195	32-7/16	32-7/16	32-7/16	36-11/16	36-11/16	37-11/16	36-5/8	36-5/8	37-11/16	28-1/2	28-1/2	27-1/4	35-15/16	35-15/16	36-3/8
210	34-15/16	34-15/16	34-15/16	39-7/16	39-7/16	40-3/8	39-3/8	39-3/8	40-3/8	30	30	28-3/4	38-5/16	38-5/16	38-11/16
225	37-3/8	37-3/8	37-7/16	42-11/16	42-11/16	43-3/16	42-5/8	42-5/8	43-1/8	31-3/4	31-3/4	30-1/2	41-1/4	41-1/4	41-3/16
245	40-11/16	40-11/16	40-11/16	46-5/16	46-5/16	46-13/16	46-1/4	46-1/4	46-3/4	33-3/4	33-3/4	32-15/16	44-3/8	44-3/8	44-7/16
270	44-13/16	44-13/16	44-13/16	50-7/8	50-7/8	51-3/8	50-13/16	50-13/16	51-5/16	37-1/2	37-1/2	35-11/16	48-7/8	48-7/8	48-1/2
300	49-3/4	49-3/4	49-3/4	56-5/16	56-5/16	56-7/8	56-1/4	56-1/4	56-13/16	40-1/2	40-1/2	38-11/16	53-9/16	53-9/16	53-3/16
330	54-11/16	54-11/16	54-3/4	62-5/16	62-5/16	62-3/8	62-1/4	62-1/4	62-5/16	41-9/16	41-9/16	42-1/4	57-13/16	57-13/16	58-3/16
365	60-1/2	60-1/2	60-1/2	68-11/16	68-11/16	69-1/4	68-5/8	68-5/8	69-3/16	45-5/16	45-5/16	46	63-3/8	63-3/8	64-1/4
402	66-9/16	66-5/8	66-5/8	75-7/16	75-1/2	76	75-3/8	75-7/16	75-15/16	49-11/16	49-11/16	50-9/16	69-7/16	69-1/2	70-7/16
445	73-11/16	73-11/16	73-3/4	83-5/16	83-5/16	83-7/8	83-1/4	83-1/4	83-13/16	53-15/16	53-15/16	54-13/16	76-3/16	76-3/16	77-1/8
490	81-1/8	81-1/8	81-1/8	91-1/2	91-1/2	92-1/16	91-7/16	91-7/16	92	58-11/16	59	60	83-5/16	83-7/16	84-1/2
540	89-3/8	89-3/8	89-7/16	100-5/8	101-3/16	101-1/4	100-9/16	101-1/8	101-3/16	63-11/16	64	65	91-1/16	91-13/16	92-5/16
600	99-5/16	99-5/16	99-5/16	111-5/8	112-1/8	112-3/16	111-9/16	112-1/6	112-1/8	70	70-9/16	71	100-5/8	101-7/16	101-11/16
660	109-3/16	109-3/16	-	122-9/16	123-1/16	-	122-1/2	123	-	76-9/16	76-9/16	-	110-1/4	110-3/4	-
730	120-11/16	120-3/4	-	135-13/16	135-7/8	-	135-3/4	135-13/16	-	83-9/16	83-9/16	-	121-11/16	121-3/4	-

Size	W			Approximate Shipping Weight *		
	Class I	Class II	Class III	Class I	Class II	Class III
120	26-11/16	28-3/16	31-7/16	182	199	263
135	28-15/16	30-9/16	33-11/16	204	223	311
150	31-5/8	33-1/8	35-3/4	246	277	346
165	33-11/16	35-3/16	38-5/16	293	313	391
180	36-1/8	37-1/4	40-3/8	335	333	400
195	38-1/2	39-5/8	42-3/4	367	399	511
210	41-7/16	42-7/16	45-3/16	403	447	560
225	44-1/16	44-9/16	47-5/16	495	544	626
245	46-5/8	47-1/4	50-13/16	547	615	741
270	51-1/2	51-5/8	55-5/16	663	720	956
300	55-1/8	56-1/8	58-7/8	820	916	1043
330	59-5/16	60-5/16	64	948	1108	1336
365	65-5/16	65-15/16	70-1/8	1148	1329	1680
402	71-15/16	73	80-3/4	1453	1839	2280
445	79-5/16	79-11/16	87-1/4	1879	2119	2853
490	85-5/16	87-15/16	98-1/2	2238	2486	3469
540	93-1/2	98-11/16	110-11/16	2492	3431	4729
600	102-7/8	108	118-5/8	3501	4147	5642
660	117-1/8	116-5/8	-	4528	4962	-
730	127	126-3/4	-	5548	6737	-

* Weight in pounds.

**Airfoil Centrifugal Blower
Backward Inclined
Belt Drive
Double Width,
Double Inlet**



Loren Cook Company certifies that the CA DWDI shown herein are licensed to bear the AMCA Seal. The ratings shown are based on tests and procedures performed in accordance with AMCA Publication 211 and AMCA Publication 311 and comply with the requirements of the AMCA Certified Ratings Program.



Type CA DWDI is furnished standard with UL 705 & cUL 705 listing (Power Ventilator/ZACT) when furnished with factory supplied motor.

Description: Fan shall be a double width, double inlet backward inclined airfoil blade steel wheel, belt driven centrifugal blower.

Certifications: Fan shall be manufactured at an ISO 9001 certified facility. Fan shall be listed by Underwriters Laboratories (UL 705) and UL listed for Canada (cUL 705). Fan shall bear the AMCA Certified Ratings Seal for Sound and Air Performance.

Construction: The fan shall be of bolted and welded construction utilizing corrosion resistant fasteners. The scroll wrapper and scroll side panels shall be a minimum 12 gauge steel. The entire fan housing shall have continuously welded seams for leak-proof operation and shall have a minimum 1-1/2" outlet discharge flange. A performance cut-off shall be furnished to prevent the recirculation of air in the fan housing. Bearing support shall be minimum 1/4" steel. Lifting lugs shall be provided for ease of installation. Unit shall bear an engraved aluminum nameplate. Nameplate shall indicate design CFM, static pressure, and maximum fan RPM. Unit shall be shipped in ISTA Certified Transit Tested Packaging.

Coating: All steel fan components shall be **LORENIZED™** with an electrostatically applied, baked polyester powder coating. Each component shall be subject to a five stage environmentally friendly wash system, followed by a minimum 2 mil thick baked powder finish. Paint must exceed 1,000 hour salt spray under ASTM B117 test method.

Wheel: Wheel shall be steel, non-overloading, centrifugal backward inclined, airfoil type. Blades on all sizes shall be continuously welded to the backplate and deep spun inlet shrouds. All sizes shall be keyed and securely attached to the fan shaft. Wheel shall overlap aerodynamic aluminum inlet cones to provide maximum performance and efficiency. Wheel shall be balanced in accordance with AMCA Standard 204-05, Balance Quality and Vibration Levels for Fans.

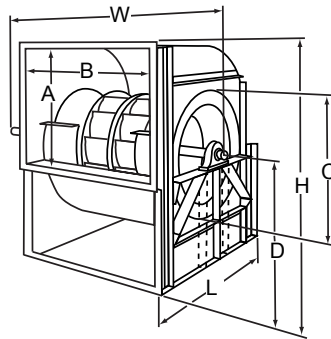
Motor: Motor shall be NEMA Design B with Class B insulation rated for continuous duty and furnished at the specified voltage, phase and enclosure.

Blower Shaft: Blower shaft shall be AISI C-1045 hot rolled and accurately turned, ground and polished. Shafting shall be sized for a critical speed of at least 125 percent of maximum RPM.

Bearings: Bearings shall be designed and tested specifically for use in air handling applications. Construction shall be heavy duty regreasable ball or roller type in a cast iron pillow block housing and selected for a minimum L50 life in excess of 200,000 hours at maximum cataloged operating speed.

Belts and Drives: Belts shall be oil and heat resistant, static conducting. Drives shall be precision machined cast iron type, keyed and securely attached to the wheel and motor shafts. Drives shall be sized for 150 percent of the installed motor horsepower. The variable pitch motor drive must be factory set to the specified fan RPM.

Product: Fan shall be model CA DWDI as manufactured by Loren Cook Company of Springfield, Missouri.



Arrangement 3

CA DWDI Dimension Data Arrangement 3

Size	A-I.D.	B-I.D.	D			H			
			THD,UBD	BHD	DBD	THD	UBD	BHD	DBD
120	12-1/8	17-11/16	13	16	13	27-9/16	23-3/8	25-3/4	24-3/8
135	13-5/8	19-15/16	14	17	14	30-3/16	25-5/8	28	25-9/16
150	15-1/4	22	15	19	15	32-13/16	27-15/16	31-3/16	29-1/4
165	16-15/16	24	17	21	17	36-7/16	31-1/4	34-3/8	32-5/8
180	18-1/2	26-1/16	18	22	18	39-1/16	33-1/2	36-5/8	35-1/8
195	19-1/2	28-7/16	20	24	20	42-11/16	36-13/16	39-13/16	38-1/2
210	21-5/8	30-3/8	21	26	21	45-3/8	39-1/8	43-1/16	40-15/16
225	23-3/16	32-1/2	23	28	23	49	42-3/8	46-1/4	44-3/8
245	25-1/2	35-1/16	25	30	25	53-1/8	46-1/8	49-7/8	48-1/4
270	27-1/2	39-7/16	27	33	27	57-7/8	50-1/4	54-15/16	50-1/8
300	31-3/16	43	30	36	30	64-1/8	55-7/8	60-3/8	58-1/2
330	34-1/2	47-1/16	33	39	33	70-7/8	61-3/8	65-13/16	64-3/8
365	38-11/16	52-3/16	36	43	36	77-3/4	67-7/16	72-5/8	70-5/8
402	41-3/4	57-13/16	40	47	40	85-3/4	74-11/16	79-5/8	78-1/4
445	45-15/16	64-1/4	44	52	44	94-5/8	82-5/16	88-1/8	86-1/4
490	51	70-1/8	48	57	48	103-1/4	90-3/16	96-3/4	94-1/2
540	55-3/4	77-15/16	53	62	53	113-3/4	99-1/2	105-13/16	104-1/4
600	62-3/16	86-1/4	59	69	59	126-1/4	110-11/16	117-11/16	116
660	68-7/16	94-7/8	65	75	65	138-3/4	121-7/8	128-9/16	121-5/8
730	75-13/16	104-3/4	72	83	72	153-3/8	134-7/8	142-1/4	141-5/16

Size	L		W			Approximate Shipping Weight *		
	THD,BHD	DBD,UBD	Class I	Class II	Class III	Class I	Class II	Class III
120	24-1/2	25-3/4	28-11/16	29-7/16	29-15/16	252	277	302
135	27	28-3/4	30-15/16	31-11/16	32-11/16	346	380	415
150	29	31-5/8	34-1/4	34-3/4	35-1/2	444	488	532
165	31-1/2	34-3/8	36-1/4	36-3/4	37-1/2	546	600	655
180	33-3/4	37-1/8	38-13/16	39-5/16	40-1/16	652	717	782
195	36-1/4	40	42-11/16	42-3/16	42-15/16	762	839	915
210	41	42-7/8	44-1/8	44-5/8	45-3/8	877	965	1053
225	43	45-3/4	46-1/4	47	47-1/2	996	1096	1195
245	46	49-1/2	49-13/16	50-1/16	50-11/16	1161	1277	1393
270	50	54-3/4	54-3/16	54-15/16	55-1/16	1378	1515	1653
300	55-3/8	60	58-1/2	59	59-3/8	1653	1818	1984
330	60-3/4	65-3/4	63-9/16	63-11/16	63-15/16	1945	2140	2334
365	67	72-3/8	69-5/16	69-9/16	70-1/16	2307	2538	2769
402	73-7/8	80-3/8	75-11/16	75-11/16	76-3/16	2715	2986	3258
445	81-1/2	88-1/2	82-5/8	83-1/2	83-1/2	3220	3543	3865
490	89-3/4	97	89-1/2	90-3/8	90-5/8	3787	4165	4544
540	98-3/4	106-5/8	98-5/16	99-15/16	100-3/16	4460	4906	5352
600	109-5/8	118	107-1/2	108-3/4	110-3/4	5329	5862	6395
660	120-5/8	129-3/8	117-7/8	118-5/8	119-7/8	6265	6892	7518
730	133-1/4	142-5/8	129-1/4	130-3/4	131-1/4	7442	8186	8930

* Weight in pounds.

Airfoil Centrifugal Blower Backward Inclined Belt Drive Double Width, Double Inlet

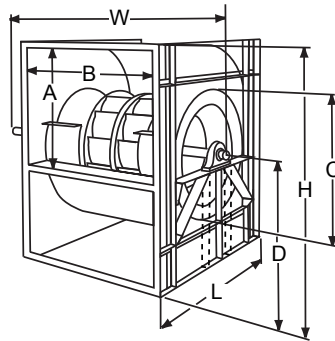


Loren Cook Company certifies that the CA-4 DWDI shown herein is licensed to bear the AMCA Seal. The ratings shown are based on tests and procedures performed in accordance with AMCA Publication 211 and AMCA Publication 311 and comply with the requirements of the AMCA Certified Ratings Program.



Type CA-4 DWDI is furnished standard with UL 705 & cUL 705 listing (Power Ventilator/ZACT) when furnished with factory supplied motor.

- Description:** Fan shall be a rectangular, double width, double inlet backward inclined airfoil blade steel wheel, belt driven centrifugal blower.
- Certifications:** Fan shall be manufactured at an ISO 9001 certified facility. Fan shall be listed by Underwriters Laboratories (UL 705) and UL listed for Canada (cUL 705). Fan shall bear the AMCA Certified Ratings Seal for Sound and Air Performance.
- Construction:** The fan shall be of bolted and welded construction utilizing corrosion resistant fasteners. The scroll wrapper and scroll side panels shall be a minimum 12 gauge steel. The entire fan housing shall have continuously welded seams for leak-proof operation and shall have a minimum 2" outlet discharge flange. A performance cut-off shall be furnished to prevent the recirculation of air in the fan housing. Bearing support shall be minimum 1/4" steel. Lifting eyes shall be provided for ease of installation. Unit shall bear an engraved aluminum nameplate. Nameplate shall indicate design CFM, static pressure, and maximum fan RPM. Unit shall be shipped in ISTA Certified Transit Tested Packaging.
- Coating:** All steel fan components shall be **LORENIZED™** with an electrostatically applied, baked polyester powder coating. Each component shall be subject to a five stage environmentally friendly wash system, followed by a minimum 2 mil thick baked powder finish. Paint must exceed 1,000 hour salt spray under ASTM B117 test method.
- Wheel:** Wheel shall be steel, non-overloading, centrifugal backward inclined, airfoil type. Blades on all sizes shall be continuously welded to the backplate and deep spun inlet shrouds. All sizes shall be securely keyed to the fan shaft. Wheel shall overlap aerodynamic aluminum inlet cones to provide maximum performance and efficiency. Wheel shall be balanced in accordance with AMCA Standard 204-05, Balance Quality and Vibration Levels for Fans.
- Motor:** Motor shall be NEMA Design B with Class B insulation rated for continuous duty and furnished at the specified voltage, phase and enclosure.
- Blower Shaft:** Blower shaft shall be AISI C-1045 hot rolled and accurately turned, ground and polished. Shafting shall be sized for a critical speed of at least 125 percent of maximum RPM.
- Bearings:** Bearings shall be designed and tested specifically for use in air handling applications. Construction shall be heavy duty regreasable ball or roller type in a cast iron pillow block housing and selected for a minimum L50 life in excess of 200,000 hours at maximum cataloged operating speed.
- Belts and Drives:** Belts shall be oil and heat resistant, static conducting. Drives shall be precision machined cast iron type, keyed and securely attached to the wheel and motor shafts. Drives shall be sized for 150 percent of the installed motor horsepower. The variable pitch motor drive must be factory set to the specified fan RPM.
- Product:** Fan shall be model CA-4 DWDI as manufactured by Loren Cook Company of Springfield, Missouri.



Arrangement 3

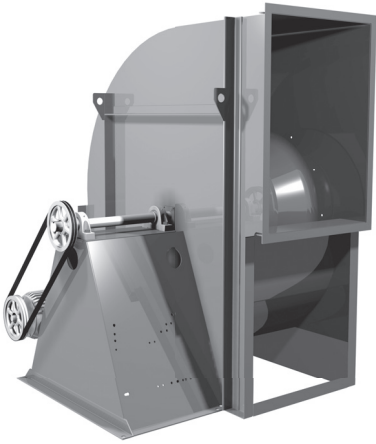
CA-4 DWDI Dimension Data Arrangement 3

Size	A-I.D.	B-I.D.	D				H	
			THD	UBD	BHD	DBD	THD, BHD	UBD, DBD
120	12-1/8	17-11/16	10-3/4	12-3/8	15	10-3/8	25-15/16	22-3/4
135	13-5/8	19-15/16	12	13-7/8	16-3/4	11-5/8	28-13/16	25-1/2
150	15-1/4	22	13-1/4	15-1/4	18-3/8	12-7/8	31-11/16	28-1/8
165	16-15/16	24	14-3/8	16-5/8	20	14-1/4	34-7/16	30-7/8
180	18-1/2	26-1/16	15-5/8	18-1/8	21-1/2	15-1/2	37-5/16	33-5/8
195	19-1/2	28-7/16	16-3/4	19-1/2	23-1/4	16-3/4	40-1/16	36-1/4
210	21-5/8	30-3/8	18	21	24-7/8	18-1/8	42-15/16	39-1/8
225	23-3/16	32-1/2	19-1/4	22-3/8	26-1/2	19-3/8	45-13/16	41-3/4
245	25-1/2	35-1/16	20-7/8	24-1/4	28-5/8	21-1/8	49-5/8	45-3/8
270	27-1/2	39-7/16	23-3/8	26-5/8	31-3/8	23-1/4	54-7/8	49-7/8
300	31-3/16	43	25-3/8	29-1/2	34-5/8	25-7/8	60-1/8	55-3/8
330	34-1/2	47-1/16	27-7/8	32-3/8	37-7/8	28-3/8	65-15/16	60-3/4
365	38-11/16	52-3/16	30-5/8	35-5/8	41-3/4	31-3/8	72-1/2	67
402	41-3/4	57-13/16	33-5/8	39-1/4	46-3/4	34-5/8	80-9/16	73-7/8
445	45-15/16	64-1/4	37-1/8	43-1/4	51-3/8	38-1/4	88-11/16	81-1/2
490	51	70-1/8	40-3/4	47-1/2	56-1/4	42-1/4	97-3/16	89-3/4
540	55-3/4	77-15/16	44-7/8	52-1/4	61-3/4	46-1/2	106-3/4	98-3/94
600	62-3/16	86-1/4	49-3/4	58	68-1/4	51-5/8	118-1/8	109-5/8

Size	L		W			Approximate Shipping Weight *		
	THD, BHD	DBD, UBD	Class I	Class II	Class III	Class I	Class II	Class III
120	22-3/4	25-15/16	28-11/16	29-7/16	29-15/16	265	291	318
135	25-1/2	28-13/16	30-15/16	31-11/16	32-11/16	363	399	436
150	28-1/8	31-11/16	34-1/4	34-3/4	35-1/2	466	512	559
165	30-7/8	34-7/16	36-1/4	36-3/4	37-1/2	573	630	688
180	33-5/8	37-5/16	38-13/16	39-5/16	40-1/16	685	753	822
195	36-1/4	40-1/16	41-11/16	42-3/16	42-15/16	801	881	961
210	39-1/8	42-15/16	44-1/8	44-5/8	45-3/8	921	1013	1105
225	41-3/4	45-13/16	46-1/4	47	47-1/2	1046	1150	1255
245	45-3/8	49-5/8	49-13/16	50-1/16	50-11/16	1219	1341	1463
270	49-7/8	54-7/8	54-3/16	54-15/16	55-1/16	1447	1591	1736
300	55-3/8	60-1/8	58-1/2	59	59-3/8	1736	1909	2083
330	60-3/4	65-15/16	63-9/16	63-11/16	63-15/16	2043	2247	2451
365	67	72-1/2	69-5/16	69-9/16	70-1/16	2423	2665	2907
402	73-7/8	80-9/16	75-11/16	75-11/16	76-3/16	2851	3136	3421
445	81-1/2	88-11/16	82-5/8	83-1/2	83-1/2	3382	3720	4058
490	89-3/4	97-3/16	89-1/2	90-3/8	90-5/8	3976	4373	4771
540	98-3/4	106-3/4	98-5/16	99-15/16	100-3/16	4683	5151	5619
600	109-5/8	118-1/8	107-1/2	108-3/4	110-3/4	5595	6155	6714

* Weight in pounds.

**Flatblade Steel
Centrifugal Blower
Backward Inclined
Belt Drive
Single Width, Single Inlet**



Loren Cook Company certifies that the CF shown herein is licensed to bear the AMCA Seal. The ratings shown are based on tests and procedures performed in accordance with AMCA Publication 211 and AMCA Publication 311 and comply with the requirements of the AMCA Certified Ratings Program.



Type CF is furnished standard with UL 705 & cUL 705 listing (Power Ventilator/ZACT) when furnished with factory supplied motor.



Type CF is available with UL 762 and cUL 762 listing (Power Ventilator for Restaurant Exhaust Appliances/Y2HW).



Type CF is available with UL listing for "Power Ventilator for Smoke Control Systems."

Description: Fan shall be a single width, single inlet backward inclined flat blade, belt driven centrifugal blower.

Certifications: Fan shall be manufactured at an ISO 9001 certified facility. Fan shall be listed by Underwriters Laboratories (UL/cUL 705) for US and Canada. For restaurant applications, fan shall be listed by Underwriters Laboratories (UL/cUL 762) for US and Canada. For smoke control applications, fan shall be listed by Underwriters Laboratories (Power Ventilator for Smoke Control Systems) for US and Canada. Fan shall bear the AMCA Certified Ratings Seal for Sound and Air Performance.

Construction: The fan shall be of bolted and welded construction utilizing corrosion resistant fasteners. The scroll wrapper and scroll side panels shall be a minimum 12 gauge steel. The entire fan housing shall have continuously welded seams for leak-proof operation and shall have a minimum 1 1/2" outlet discharge flange. A performance cut-off shall be furnished to prevent the recirculation of air in the fan housing. Bearing support shall be minimum 10 gauge welded steel. Lifting eyes shall be provided for ease of installation. Unit shall bear an engraved aluminum nameplate. Nameplate shall indicate design CFM, static pressure, and maximum fan RPM. Unit shall be shipped in ISTA certified transit tested packaging.

Coating: Steel fan components shall be Lorenized™ with an electrostatically applied, baked polyester powder coating. Each component shall be subject to a five stage environmentally friendly wash system, followed by a minimum 2 mil thick baked powder finish. Paint must exceed 1,000 hour salt spray under ASTM B117 test method.

Wheel: Wheel shall be steel, non-overloading, centrifugal backward inclined, flat blade type. Blades shall be continuously welded to the backplate and deep spun inlet shroud. All sizes shall be keyed and securely attached to the fan shaft. Wheel shall overlap an aerodynamic aluminum inlet cone to provide maximum performance and efficiency. Wheel shall be balanced in accordance with AMCA Standard 204-05, Balance Quality and Vibration Levels for Fans.

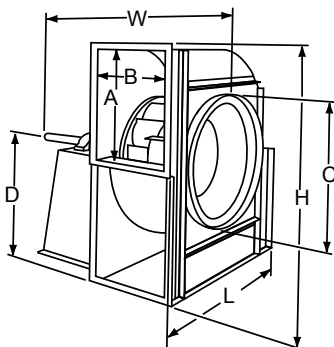
Motor: Motor shall be NEMA Design B with Class B insulation rated for continuous duty and furnished at the specified voltage, phase and enclosure.

Bearings: Bearings shall be designed and tested specifically for use in air handling applications. Construction shall be heavy duty regreasable ball or roller type in a cast iron pillow block housing selected for a minimum L50 life in excess of 200,000 hours at maximum cataloged operating speed.

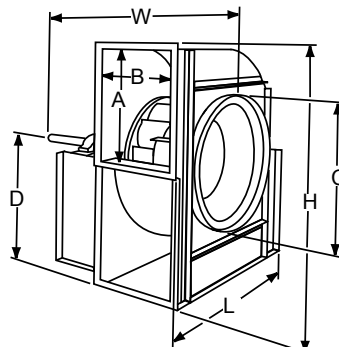
Blower Shaft: Blower shaft shall be AISI C-1045 hot rolled and accurately turned, ground and polished. Shafting shall be sized for a critical speed of at least 125% of maximum RPM.

Belts and Drives: Belts shall be oil and heat resistant, static conducting. Drives shall be precision machined cast iron type, keyed and securely attached to the wheel and motor shafts. Drives shall be sized for 150% of the installed motor horsepower. The variable pitch motor drive must be factory set to the specified fan RPM.

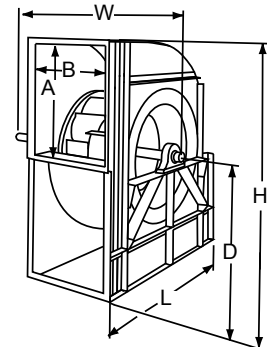
Product: Fan shall be model CF as manufactured by Loren Cook Company of Springfield, Missouri.



Arrangement 1 & 9



Arrangement 10



Arrangement 3

CF SWSI Data Arrangement 1, 9 & 10 Dimension

Size	A-I.D.	B-I.D.	C-O.D.	D		H						
				THD, DBD, TAD, UBD, TAU	BHD BAU	THD	UBD	BHD	DBD	BAU	TAU	TAD
120	13-1/8	9-3/16	16-1/8	13	16	30-3/16	25-1/8	29-7/8	28-9/16	29-1/16	30-3/4	29-3/8
135	14-3/4	10-5/16	17-5/8	14	17	32-13/16	27-1/8	32-1/8	30-15/16	31-3/16	33-15/16	31-7/8
150	16-7/16	11-7/16	19-1/8	15	19	35-7/16	29-1/8	35-5/16	33-3/8	34-5/16	36-7/8	34-7/16
165	18-1/16	12-5/8	21-3/16	17	21	39-1/16	32-1/8	38-9/16	36-13/16	37-3/8	40-15/16	37-15/16
180	19-11/16	13-3/4	22-11/16	18	22	41-11/16	34-1/4	40-3/4	39-1/4	39-9/16	44	40-9/16
195	21-5/16	14-15/16	24-3/16	20	24	45-5/16	37-1/16	44-1/16	38-1/2	38-5/8	48-1/16	39-15/16
210	23	16-1/16	25-5/16	21	26	46-1/16	39-3/8	47-1/4	40-15/16	41-3/4	51-3/16	42-3/8
225	24-5/8	17-3/16	27-7/16	23	28	49-5/8	42-5/8	46-1/4	44-3/8	44-7/8	55-3/16	45-15/16
245	26-13/16	18-3/4	29-7/16	25	30	53-3/4	46-3/8	49-7/8	48-1/4	48-3/8	59-15/16	49-15/16
270	29-9/16	20-5/8	31-15/16	27	33	58-1/2	50-1/2	54-15/16	52-13/16	53-1/4	65-7/16	54-5/8
300	32-13/16	22-15/16	34-15/16	30	36	64-3/4	56-1/8	60-3/8	58-1/2	58-7/16	72-9/16	60-9/16
330	36-1/8	25-1/4	37-15/16	33	39	71	61-5/8	65-13/16	64-3/8	63-11/16	80	66-11/16
365	39-15/16	27-7/8	41-7/16	36	43	77-7/8	67-11/16	72-5/8	70-5/8	70-5/16	87-7/8	73-5/16
402	44-1/16	30-3/4	45-3/16	40	47	87-7/16	74-15/16	79-5/8	78-1/4	77-1/8	97	81-1/8
445	48-11/16	34	49-7/16	44	52	96	82-9/16	88-1/8	86-1/4	85-1/4	106-13/16	89-5/16
490	53-5/8	37-7/16	55	48	57	104-7/8	90-7/16	96-3/4	94-1/2	93-5/8	117	97-7/8
540	59-1/16	41-1/4	60	53	62	115-7/16	99-3/4	105-13/16	104-1/4	102-5/16	128-15/16	108
600	65-5/8	45-13/16	66	59	69	129-3/8	110-15/16	117-11/16	116	113-13/16	143-3/16	120-1/16
660	72-3/16	50-7/16	72	65	75	141-15/16	122-1/8	128-9/16	127-13/16	124-1/4	157-1/2	132-3/16
730	79-7/8	55-3/4	79	72	83	156-1/2	135-1/8	142-1/4	141-5/16	137-1/2	174-3/8	146-7/16

Size	L					W	Max Motor Frame Size **	Approximate Shipping Weight *
	THD, BHD	DBD, UBD	BAU	TAU	TAD			
120	24-3/4	25-3/4	29-3/4	24	33-3/8	26-1/4	145T	211
135	27-1/4	28-3/4	32-3/4	27	36-5/16	27-3/8	145T	266
150	29-1/4	31-5/8	35-13/16	29	39-7/8	30-1/2	184T	325
165	31-3/4	34-3/8	39-7/8	32	43-1/2	32-5/8	184T	387
180	34	37-1/8	42-15/16	35	46-7/16	36-1/4	215T	453
195	36-1/2	40	46	37	51-1/2	37-1/2	215T	523
210	41-1/4	42-7/8	50-1/8	40	54-3/4	41-1/8	256T	599
225	43-1/4	45-3/4	53-3/16	42	58-3/8	42-1/4	256T	677
245	46-1/4	49-1/2	57-15/16	46	63-3/16	46-1/4	286T	786
270	50-1/4	54-3/4	63-5/16	50	68-1/8	48-5/8	286T	931
300	55-5/8	60	70-1/2	56	74-11/16	53-1/2	326T	1118
330	61	65-3/4	77-15/16	61	82-1/4	56-1/4	326T	1320
365	67-1/4	72-3/8	85-13/16	67	89-5/8	63-1/4	326T	1575
402	74-1/8	80-3/8	94	73	99-9/16	67-11/16	326T	1858
445	81-3/4	88-1/2	104-3/8	81	108-1/4	75-7/16	326T	2223
490	90	97	114	89	118-11/16	79-7/16	404T	2636
540	99	106-5/8	124-15/16	97	131-1/2	87-11/16	404T	3190
600	109 7/8	118	138-1/4	108	143-1/8	92-11/16	404T	3852
660	120 7/8	129-3/8	152-7/16	119	159	101-15/16	404T	4576
730	133 1/2	142-5/8	169-1/4	131	173	107-11/16	404T	5495

CF SWSI Arrangement 3 (7 Discharges) Dimensions

Size	A-I.D., B-I.D., D,H,L	W	Approximate Shipping Weight *
120	Same as Arrangement 1, 9 & 10	19-7/16	157
135		20-9/16	195
150		21-11/16	236
165		23-7/8	280
180		25-1/2	328
195		26-11/16	379
210		28-5/16	437
225		29-7/16	496
245		32-1/2	579
270		34-7/8	690
300		37-11/16	836
330		40-1/2	994
365		43-5/8	1193
402		47-1/8	1415
445		50-7/8	1702
490		55-13/16	2028
540	62-1/8	2475	
600	67-5/16	2997	
660	74-7/16	3565	
730	80-1/4	4282	

*Weight in pounds. Class I only. For Class II add 10%. For Class III add 20% **Maximum motor frame for Arrangement 9 & 10; based on single speed ODP motor.

Flatblade Steel Centrifugal Blower Backward Inclined Belt Drive Single Width, Single Inlet



Loren Cook Company certifies that the CF-4 shown herein is licensed to bear the AMCA Seal. The ratings shown are based on tests and procedures performed in accordance with AMCA Publication 211 and AMCA Publication 311 and comply with the requirements of the AMCA Certified Ratings Program.



Type CF-4 is furnished standard with UL 705 & cUL 705 listing (Power Ventilator/ZACT) when furnished with factory supplied motor.



Type CF-4 is available with UL 762 and cUL 762 listing (Power Ventilator for Restaurant Exhaust Appliances/Y2HW).



Type CA SWSI is available with UL listing for "Power Ventilator for Smoke Control Systems."

Description: Fan shall be a rectangular single width, single inlet backward inclined flat blade steel wheel belt driven centrifugal blower.

Certifications: Fan shall be manufactured at an ISO 9001 certified facility. Fan shall be listed by Underwriters Laboratories (UL 705) and UL listed for Canada (cUL 705). Fan shall bear the AMCA Certified Ratings Seal for Sound and Air Performance.

Construction: The fan shall be of bolted and welded construction utilizing corrosion resistant fasteners. The scroll wrapper and scroll side panels shall be a minimum 12 gauge steel. The entire fan housing shall have continuously welded seams for leakproof operation and shall have a minimum 2" outlet discharge flange. A performance cut-off shall be furnished to prevent the recirculation of air in the fan housing. Bearing support shall be minimum 10 ga. welded steel. Lifting eyes shall be provided for ease of installation. Unit shall bear an engraved aluminum nameplate. Nameplate shall indicate design CFM, static pressure, and maximum fan RPM. Unit shall be shipped in ISTA Certified Transit Tested Packaging.

Coating: All steel fan components shall be **LORENIZED™** with an electrostatically applied, baked polyester powder coating. Each component shall be subject to a five stage environmentally friendly wash system, followed by a minimum 2 mil thick baked powder finish. Paint must exceed 1,000 hour salt spray under ASTM B117 test method.

Wheel: Wheel shall be steel, non-overloading, centrifugal backward inclined, flat blade type. Blades on all sizes shall be continuously welded to the backplate and deep spun inlet shroud. All sizes shall be securely keyed to the fan shaft. Wheel shall overlap an aerodynamic aluminum inlet cone to provide maximum performance and efficiency. Wheel shall be balanced in accordance with AMCA Standard 204-05, Balance Quality and Vibration Levels for Fans.

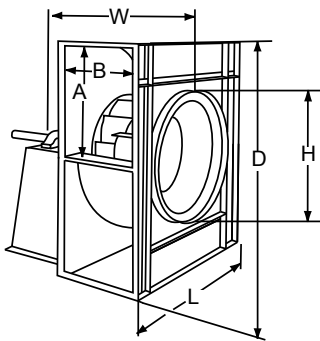
Motor: Motor shall be NEMA Design B with Class B insulation rated for continuous duty and furnished at the specified voltage, phase and enclosure.

Blower Shaft: Blower shaft shall be AISI C-1045 hot rolled and accurately turned, ground and polished. Shafting shall be sized for a critical speed of at least 125 percent of maximum RPM.

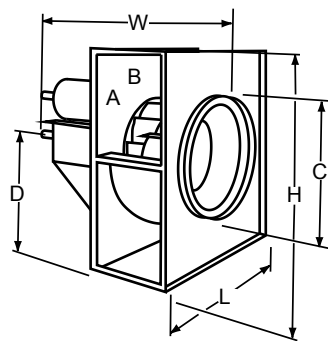
Bearings: Bearings shall be designed and tested specifically for use in air handling applications. Construction shall be heavy duty regreasable ball or roller type in a cast iron pillow block housing selected for a minimum L50 life in excess of 200,000 hours at maximum cataloged operating speed.

Belts and Drives: Belts shall be oil and heat resistant, static conducting. Drives shall be precision machined cast iron type, keyed and securely attached to the wheel and motor shafts. Drives shall be sized for 150 percent of the installed motor horsepower. The variable pitch motor drive must be factory set to the specified fan RPM.

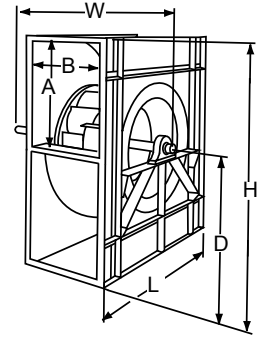
Product: Fan shall be model CF-4 as manufactured by Loren Cook Company of Springfield, Missouri.



Arrangement 1



Arrangement 2



Arrangement 3

CF-4 SWSI Dimension Data Arrangement 1

Size	A-I.D.	B-I.D.	C-O.D.	D			H			L		W	Approximate Shipping Weight *
				THD,DBD	UBD	BHD	THD,BHD	DBD,UBD	THD,BHD	DBD,UBD			
120	13-1/8	9-3/16	16-1/4	10-3/4	12-3/8	15	25-3/4	22-3/4	22-3/4	25-3/4	34-13/16	222	
135	14-3/4	10-5/16	17-3/4	12	13-7/8	16-3/4	28-3/4	25-1/2	25-1/2	28-3/4	35-15/16	280	
150	16-7/16	11-7/16	19-1/4	13-1/4	15-1/4	18-3/8	31-5/8	28-1/8	28-1/8	31-5/8	37-1/16	341	
165	18-1/16	12-5/8	21-1/4	14-3/8	16-5/8	20	34-3/8	30-7/8	30-7/8	34-3/8	38-1/4	407	
180	19-11/16	13-3/4	22-3/4	15-5/8	18-1/8	21-1/2	37-1/8	33-5/8	33-5/8	37-1/8	42-1/8	476	
195	21-5/16	14-15/16	24-1/4	16-3/4	19-1/2	23-1/4	40	36-1/4	36-1/4	40	43-5/16	549	
210	23	16-1/16	26	18	21	24-7/8	42-7/8	39-1/8	39-1/8	42-7/8	46-7/16	630	
225	24-5/8	17-3/16	27-1/2	19-1/4	22-3/8	26-1/2	45-3/4	41-3/4	41-3/4	45-3/4	47-9/16	711	
245	26-13/16	18-3/4	29-1/2	20-7/8	24-1/4	28-5/8	49-1/2	45-3/8	45-3/8	49-1/2	50-9/16	825	
270	29-9/16	20-5/8	32	23-3/8	26-5/8	31-3/8	54-3/4	49-7/8	49-7/8	54-3/4	52-7/16	978	
300	32-13/16	22-15/16	35	25-3/8	29-1/2	34-5/8	60	55-3/8	55-3/8	60	57-11/16	1175	
330	36-1/8	25-1/4	38	27-7/8	32-3/8	37-7/8	65-3/4	60-3/4	60-3/4	65-3/4	60	1387	
365	39-15/16	27-7/8	41-1/2	30-5/8	35-5/8	41-3/4	72-3/8	67	67	72-3/8	64-7/8	1655	
402	44-1/16	30-3/4	45-1/4	33-5/8	39-1/4	46-3/4	80-3/8	73-7/8	73-7/8	80-3/8	68-1/16	1953	
445	48-11/16	34	49-1/2	37-1/8	43-1/4	51-3/8	88-1/2	81-1/2	81-1/2	88-1/2	73-1/16	2336	
490	53-5/8	37-7/16	55	40-3/4	47-1/2	56-1/4	97	89-3/4	89-3/4	97	76-1/2	2771	
540	59-1/16	41-1/4	60	44-7/8	52-1/4	61-3/4	106-5/8	98-3/4	98-3/4	106-5/8	81-5/8	3350	
600	65-5/8	45-13/16	66	49-3/4	58	68-1/4	118	109-5/8	109-5/8	118	86-3/16	4045	

* Weight in pounds. Class I only. For Class II add 10%. For Class III add 20%.

CF-4 SWSI Dimension Data Arrangement 2

Size	A-I.D.	B-I.D.	C-O.D.	D			H			L		W	Max Motor Frame **	Approximate Shipping Weight *
				THD	UBD	BHD	DBD	THD,BHD	UBD,DBD	THD,BHD	UBD,DBD			
120	13-1/8	9-3/16	16-1/4	10-3/4	12-3/8	15	10-3/8	25-3/4	22-3/4	22-3/4	25-3/4	34-13/16	145T	222
135	14-3/4	10-5/16	17-3/4	12	13-7/8	16-3/4	11-5/8	28-3/4	25-1/2	25-1/2	28-3/4	35-15/16	145T	280
150	16-7/16	11-7/16	19-1/4	13-1/4	15-1/4	18-3/8	12-7/8	31-5/8	28-1/8	28-1/8	31-5/8	37-1/16	182T	341
165	18-1/16	12-5/8	21-1/4	14-3/8	16-5/8	20	14-1/4	34-3/8	30-7/8	30-7/8	34-3/8	38-1/4	182T	407
180	19-11/16	13-3/4	22-3/4	15-5/8	18-1/8	21-1/2	15-1/2	37-1/8	33-5/8	33-5/8	37-1/8	42-1/8	184T	476
195	21-5/16	14-15/16	24-1/4	16-3/4	19-1/2	23-1/4	16-3/4	40	36-1/4	36-1/4	40	43-5/16	184T	549
210	23	16-1/16	26	18	21	24-7/8	18-1/8	42-7/8	39-1/8	39-1/8	42-7/8	47-7/16	184T	630
225	24-5/8	17-3/16	27-1/2	19-1/4	22-3/8	26-1/2	19-3/8	45-3/4	41-3/4	41-3/4	45-3/4	48-9/16	213T	711
245	26-13/16	18-3/4	29-1/2	20-7/8	24-1/4	28-5/8	21-1/8	49-1/2	45-3/8	45-3/8	49-1/2	50-9/16	213T	825
270	29-9/16	20-5/8	32	23-3/8	26-5/8	31-3/8	23-1/4	54-3/4	49-7/8	49-7/8	54-3/4	52-7/16	215T	978
300	32-13/16	22-15/16	35	25-3/8	29-1/2	34-5/8	25-7/8	60	55-3/8	55-3/8	60	57-11/16	254T	1175
330	36-1/8	25-1/4	38	27-7/8	32-3/8	37-7/8	28-3/8	65-3/4	60-3/4	60-3/4	65-3/4	60	254T	1387
365	39-15/16	27-7/8	41-1/2	30-5/8	35-5/8	41-3/4	31-3/8	72-3/8	67	67	72-3/8	64-7/8	256T	1655
402	44-1/16	30-3/4	45-1/4	33-5/8	39-1/4	46-3/4	34-5/8	80-3/8	73-7/8	73-7/8	80-3/8	68-1/16	256T	1953
445	48-11/16	34	49-1/2	37-1/8	43-1/4	51-3/8	38-1/4	88-1/2	81-1/2	81-1/2	88-1/2	73-1/16	286T	2336
490	53-5/8	37-7/16	55	40-3/4	47-1/2	56-1/4	42-1/4	97	89-3/4	89-3/4	97	76-1/2	286T	2771
540	59-1/16	41-1/4	60	44-7/8	52-1/4	61-3/4	46-1/2	106-5/8	98-3/4	98-3/4	106-5/8	81-5/8	324T	3350
600	65-5/8	45-13/16	66	49-3/4	58	68-1/4	51-5/8	118	109-5/8	109-5/8	118	86-3/16	324T	4045

* Weight in pounds. Class I only. **Max Motor Frame is based on ODP single speed motor.

CF-4 SWSI Dimension Data Arrangement 3

Size	A-I.D.	B-I.D.	D				H			L		W	Approximate Shipping Weight *
			THD	UBD	BHD	DBD	THD,BHD	UBD,DBD	THD,BHD	UBD,DBD			
120	13-1/8	9-3/16	10-3/4	12-3/8	15	10-3/8	25-3/4	22-3/4	22-3/4	25-3/4	18-7/8	165	
135	14-3/4	10-5/16	12	13-7/8	16-3/4	11-5/8	28-3/4	25-1/2	25-1/2	28-3/4	20	205	
150	16-7/16	11-7/16	13-1/4	15-1/4	18-3/8	12-7/8	31-5/8	28-1/8	28-1/8	31-5/8	21-1/8	248	
165	18-1/16	12-5/8	14-3/8	16-5/8	20	14-1/4	34-3/8	30-7/8	30-7/8	34-3/8	23-15/16	294	
180	19-11/16	13-3/4	15-5/8	18-1/8	21-1/2	15-1/2	37-1/8	33-5/8	33-5/8	37-1/8	24-15/16	345	
195	21-5/16	14-15/16	16-3/4	19-1/2	23-1/4	16-3/4	40	36-1/4	36-1/4	40	27-3/16	399	
210	23	16-1/16	18	21	24-7/8	18-1/8	42-7/8	39-1/8	39-1/8	42-7/8	28-13/16	460	
225	24-5/8	17-3/16	19-1/4	22-3/8	26-1/2	19-3/8	45-3/4	41-3/4	41-3/4	45-3/4	29-15/16	521	
245	26-13/16	18-3/4	20-7/8	24-1/4	28-5/8	21-1/8	49-1/2	45-3/8	45-3/8	49-1/2	32	608	
270	29-9/16	20-5/8	23-3/8	26-5/8	31-3/8	23-1/4	54-3/4	49-7/8	49-7/8	54-3/4	34-3/8	726	
300	32-13/16	22-15/16	25-3/8	29-1/2	34-5/8	25-7/8	60	55-3/8	55-3/8	60	37-3/16	878	
330	36-1/8	25-1/4	27-7/8	32-3/8	37-7/8	28-3/8	65-3/4	60-3/4	60-3/4	65-3/4	40	1044	
365	39-15/16	27-7/8	30-5/8	35-5/8	41-3/4	31-3/8	72-3/8	67	67	72-3/8	43-1/8	1254	
402	44-1/16	30-3/4	33-5/8	39-1/4	46-3/4	34-5/8	80-3/8	73-7/8	73-7/8	80-3/8	46-5/8	1487	
445	48-11/16	34	37-1/8	43-1/4	51-3/8	38-1/4	88-1/2	81-1/2	81-1/2	88-1/2	50-3/8	1790	
490	53-5/8	37-7/16	40-3/4	47-1/2	56-1/4	42-1/4	97	89-3/4	89-3/4	97	55-5/16	2132	
540	59-1/16	41-1/4	44-7/8	52-1/4	61-3/4	46-1/2	106-5/8	98-3/4	98-3/4	106-5/8	61-5/8	2599	
600	65-5/8	45-13/16	49-3/4	58	68-1/4	51-5/8	118	109-5/8	109-5/8	118	66-11/16	3147	

* Weight in pounds. Class I only. For Class II add 10%. For Class III add 20%.

CONSTRUCTION INFORMATION

Material Gauges and Shaft Diameters for CA / CF SWSI Blowers

Size	All Arrangements						Arrangement 3			Arrangement 1, 9, 10																			
	Class I		Class II		Class III		Shaft Diameter			Shaft Diameter			Arr. 9 Max Motor Frame **	Arr. 10 Max Motor Frame **															
	Scroll	Side Panel	Scroll	Side Panel	Scroll	Side Panel	Class I	Class II	Class III	Class I	Class II	Class III																	
120	12 Ga.	12 Ga.	12 Ga.	12 Ga.	10 Ga.	10 Ga.	1	1	1-3/16	1-3/16	1-7/16	1-11/16	145T	56															
135													145T	145T															
150													184T	145T															
165													184T	184T															
180													215T	184T															
195	10 Ga.	10 Ga.	10 Ga.	10 Ga.			1-7/16	1-7/16	1-11/16	1-7/16	1-11/16	1-11/16	1-11/16	1-15/16	215T	184T													
210															256T	184T													
225															256T	215T													
245															286T	256T													
270															286T	284T													
300					10 Ga.	10 Ga.	10 Ga.	10 Ga.	1-11/16	1-15/16	2-3/16	1-15/16	2-3/16	2-7/16	2-7/16	2-7/16	326T	326T											
330																	326T	365T											
365																	7 Ga.	7 Ga.	7 Ga.	7 Ga.	1-15/16	2-7/16	2-7/16	2-3/16	2-7/16	2-15/16	2-15/16	326T	404T
402																												326T	404T
445																												326T	404T
490	404T	404T																											
540	404T	404T																											
600	7 Ga.	7 Ga.	7 Ga.	7 Ga.					2-11/16	3-7/16	3-15/16	2-15/16	3-7/16	3-15/16	3-15/16	4-7/16	404T	404T											
660																	404T	404T											
730																	404T	404T											

Material Gauges and Shaft Diameters for CA-4 / CF-4 SWSI Blowers

Size	All Arrangements				Arrangement 1			Arrangement 2 with Motor Mount		Arrangement 2 Swing Out		Arrangement 3				
	Scroll			Side Panel	Shaft Diameter			Shaft Diameter	Max Motor Frame *	Shaft Diameter	Max Motor Frame *	Shaft Diameter				
	Class I	Class II	Class III	All	Class I	Class II	Class III	Class I		Class I		Class I	Class II	Class III		
120	12 Ga.	12 Ga.	10 Ga.	12 Ga.	1-3/16	1-7/16	1-7/16	1-3/16	-	-	-	1	1	1-3/16		
135															145T	
150															145T	
165															182T	
180															184T	
195		10 Ga.	10 Ga.	10 Ga.	1-7/16	1-11/16	1-15/16	1-7/16	1-7/16	1-7/16	1-7/16	256T	1-7/16	1-7/16	1-11/16	
210																184T
225																213T
245																213T
270																215T
300	10 Ga.	10 Ga.	7 Ga.	1-15/16	2-3/16	2-7/16	1-15/16	1-15/16	1-15/16	1-15/16	324T	1-15/16	1-11/16	1-15/16		
330															254T	
365															254T	
402															256T	
445															256T	
490	10 Ga.	7 Ga.	7 Ga.	2-7/16	2-15/16	3-7/16	2-7/16	2-7/16	2-7/16	2-7/16	364T	2-3/16	2-11/16	2-15/16		
540															286T	
600															324T	
600	7 Ga.		1/4"	2-15/16	3-7/16	3-15/16	2-15/16	2-15/16	-	-	-	2-11/16	3-7/16	3-15/16		

Dimensions are in inches. * Max motor frame is based on single speed ODP motor.

Material Gauges and Shaft Diameters for CAF-DW Blowers

Size	Scroll			Side Panel			Shaft Diameter*			
	Class I	Class II	Class III	Class I	Class II	Class III	Class I	Class II	Class III	
120	16 Ga.	16 Ga.	16 Ga.	14 Ga.	14 Ga.	14 Ga.	1-7/16	1-7/16	1-11/16	
135									1-15/16	
150									1-11/16	2-3/16
165									1-15/16	2-7/16
180									2-3/16	2-11/16
195			2-7/16				2-15/16			
210			2-11/16				3-7/16			
225			2-15/16				2-7/16			
245			3-7/16				2-15/16			
270			3-7/16				3-15/16			
300	3-7/16	4-7/16								
330	14 Ga.	14 Ga.	12 Ga.	12 Ga.	12 Ga.	10 Ga.	2-15/16	3-7/16	4-15/16	
365									3-7/16	
402									3-7/16	
445	12 Ga.	12 Ga.	10 Ga.	12 Ga.	12 Ga.	10 Ga.	3-7/16	2-15/16	3-15/16	
490									3-7/16	
540	10 Ga.	10 Ga.	7 Ga.	10 Ga.	10 Ga.	7 Ga.	2-15/16	3-7/16	4-7/16	
600									3-7/16	
660									3-7/16	
730	7 Ga.	-	-	10 Ga.	7 Ga.	-	3-7/16	3-15/16	-	

* Drive end. Shaded area indicates turned down shafting.

Material Gauges and Shaft Diameters for CA/CA-4 DWDI Blowers

Size	All Arrangements			CA DWDI Arrangement 3						CA-4 DWDI Arrangement 3					
	Scroll			Side Panel			Shaft Diameter*			Side Panel	Shaft Diameter*				
	Class I	Class II	Class III	Class I	Class II	Class III	Class I	Class II	Class III	All	Class I	Class II	Class III		
120	12 Ga.	12 Ga.	10 Ga.	12 Ga.	12 Ga.	10 Ga.	1-7/16	1-11/16	1-15/16	12 Ga.	1-7/16	1-11/16	1-15/16		
135													2-3/16		
150													1-11/16	1-15/16	2-7/16
165													1-15/16	2-3/16	2-11/16
180													2-7/16	2-15/16	2-11/16
195													2-3/16	2-3/16	2-3/16
210													2-7/16	2-11/16	2-7/16
225													2-11/16	2-3/16	2-7/16
245													2-3/16	2-7/16	2-11/16
270													2-7/16	2-11/16	2-15/16
300	10 Ga.	10 Ga.	7 Ga.	10 Ga.	10 Ga.	7 Ga.	2-7/16	2-11/16	2-15/16	7 Ga.	2-7/16	2-11/16	2-15/16		
330													2-11/16	2-3/16	3-7/16
365													2-3/16	3-7/16	3-7/16
402													2-7/16	3-15/16	3-15/16
445													2-11/16	3-7/16	3-7/16
490													3-7/16	3-15/16	3-15/16
540													3-7/16	3-15/16	4-7/16
600													3-15/16	4-7/16	4-7/16
660													4-7/16	4-7/16	4-15/16
730													4-7/16	4-7/16	4-15/16

* Drive end. Shaded area indicates turned down shafting.

CONSTRUCTION INFORMATION

Approximate Wheel Weights (lbs.) and Wk^2 (lbs.-ft²)

For proper motor selection you must give consideration to starting torque requirements along with operating BHP. The following tables lists the Wk^2 factors for different wheel sizes. Steel or aluminum is available in most fans (see below). In some cases it may be necessary to provide a larger horsepower motor, even though it may not be indicated by operating BHP, in order to bring the fan to speed. The following formula can be applied to determine the required motor starting torque:

$$WK_M^2 = WK_F^2 \left(\frac{FRPM}{MRPM} \right)^2 (1.1)$$

WHERE: WK_M^2 = the moment of inertia required at the motor shaft, LB-Ft².

WK_F^2 = the moment of inertia of the fan. LB-Ft².

FRPM = fan revolutions per minute

MRPM = motor revolutions per minute

Motor starting torque can vary greatly among motor manufacturers, the available WK_M^2 at the motor should be obtained from the motor manufacturer.

CA SWSI

Size	Steel Wheel						Aluminum Wheel			
	Class I		Class II		Class III		Class I		Class II	
	Weight	Wk ²	Weight	Wk ²	Weight	Wk ²	Weight	Wk ²	Weight	Wk ²
120	18	2	18	2	19	2	7	1	7	1
135	20	3	20	3	22	4	8	1	8	1
150	24	5	26	5	28	6	9	2	9	2
165	30	7	30	7	32	8	11	3	11	3
180	48	12	48	12	51	13	17	4	17	4
195	53	15	53	15	57	18	19	6	20	6
210	58	20	58	20	63	23	21	7	22	8
225	67	28	67	28	80	36	26	11	26	11
245	76	39	85	45	91	50	30	17	30	17
270	99	64	98	65	107	73	35	24	34	24
300	146	102	147	102	160	119	53	38	56	40
330	172	153	171	154	189	179	60	55	63	57
365	197	225	218	264	237	287	72	84	80	100
402	253	362	279	420	300	454	83	122	94	146
445	380	570	413	659	438	709	129	195	143	231
490	430	817	472	949	504	1022	145	278	174	356
540	495	1185	586	1483	580	1484	175	439	209	552
600	630	1948	688	2238	784	2568	220	713	244	832
660	829	2907	905	3338	1020	3820	293	1067	348	1327
730	978	4378	1071	5026	1214	5747	338	1570	405	1960

CF SWSI

Size	Steel Wheel						Aluminum Wheel			
	Class I		Class II		Class III		Class I		Class II	
	Weight	Wk ²	Weight	Wk ²	Weight	Wk ²	Weight	Wk ²	Weight	Wk ²
120	17	2	20	3	22	3	6	1	6	1
135	20	3	24	4	27	5	7	1	7	1
150	23	4	30	6	33	7	8	1	8	2
165	29	7	35	9	39	11	9	2	10	2
180	48	11	59	16	64	19	15	3	18	5
195	51	14	66	22	72	25	17	5	21	7
210	60	21	73	29	81	33	18	6	23	9
225	65	27	81	37	97	47	21	8	25	11
245	74	37	101	57	111	66	24	12	29	16
270	96	62	118	83	131	96	28	18	34	24
300	143	98	188	151	187	151	47	31	61	47
330	168	148	221	225	221	225	53	44	70	67
365	193	217	258	335	277	358	63	69	80	99
402	266	390	327	523	349	557	82	120	94	145
445	396	613	473	815	498	866	128	192	143	231
490	451	882	546	1180	577	1254	143	273	173	355
540	577	1495	679	1832	673	1833	173	434	210	554
600	731	2421	802	2772	898	3102	218	706	245	834
660	953	3606	1044	4129	1159	4611	315	1195	349	1333
730	1129	5429	1241	6212	1384	6934	366	1763	406	1968

CA-DWDI & CAF-DW

Size	Steel Wheel						Aluminum Wheel			
	Class I		Class II		Class III		Class I		Class II	
	Weight	Wk ²	Weight	Wk ²	Weight	Wk ²	Weight	Wk ²	Weight	Wk ²
120	24	3	30	3	31	3	14	2	14	2
135	29	5	35	5	37	5	16	2	16	2
150	41	7	43	8	53	8	18	4	18	4
165	48	11	49	11	59	12	22	6	22	6
180	54	16	57	16	71	18	34	8	34	8
195	65	22	65	23	78	25	38	12	40	12
210	73	29	77	32	87	33	42	14	44	16
225	88	43	105	47	120	48	52	22	52	22
245	110	65	120	66	135	67	60	34	60	34
270	130	95	142	96	159	97	70	48	68	48
300	168	145	225	147	203	148	106	76	112	80
330	196	209	271	213	243	215	120	110	126	114
365	249	331	329	353	302	360	144	168	160	200
402	318	525	402	572	412	587	166	244	188	292
445	402	845	462	938	532	969	258	390	286	462
490	496	1308	570	1,474	656	1529	290	556	348	712
540	668	2005	768	2288	883	2382	350	878	418	1104
600	880	3138	1012	3618	1,164	3778	440	1426	488	1664
660	1070	4644	1231	5398	1415	5649	586	2134	696	2654
730	1325	6947	1524	8131	1752	8525	676	3140	810	3920

Consider Air Density

Air Density Factors for Various Temperatures and Altitudes:
 Unity Basis = Standard Air Density of .075 lb/ft³. At sea level (29.92 in. Hg barometric pressure) this is equivalent to dry air at 70° F

Find SP & HP on the performance data pages.
 See Density Factors, to the right.

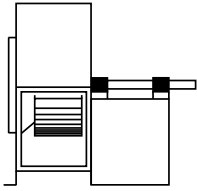
$$SP_{\text{standard}} = SP_{\text{operating}} / \text{Density Factor}$$

$$HP_{\text{standard}} = HP_{\text{operating}} * \text{Density Factor}$$

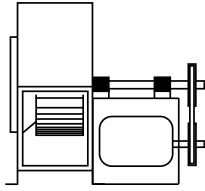
WHERE: SP = Static pressure
 HP = Horse power

Air Temp. °F	Altitude in Feet Above Sea Level					
	0	2000	4000	6000	8000	10000
	Barometric Pressure in Inches of Mercury					
	29.92	27.82	25.84	23.98	22.22	20.58
70	1.000	.930	.864	.801	.743	.688
100	.964	.880	.818	.758	.703	.651
200	.803	.747	.694	.643	.596	.552
300	.697	.648	.604	.558	.518	.480
400	.616	.573	.532	.493	.458	.424
500	.552	.513	.477	.442	.410	.380
600	.500	.465	.432	.400	.372	.344
700	.457	.425	.395	.366	.340	.315

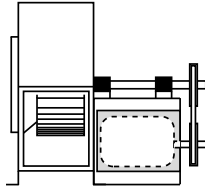
Arrangements



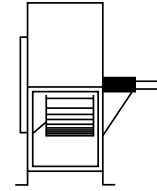
Arr. 1 SWSI
Impeller overhung,
two bearings on
base.



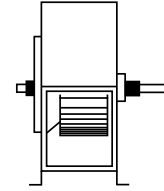
Arr. 9 SWSI
Impeller overhung,
two bearings with
motor outside base.



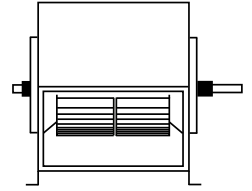
Arr. 10 SWSI
Impeller overhung,
two bearings, with
motor inside base.



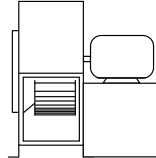
Arr. 2 SWSI
Impeller overhung,
bearings in bracket
supported by fan
housing.



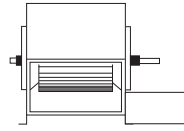
Arr. 3 SWSI
One bearing on
each side and
supported by fan
housing.



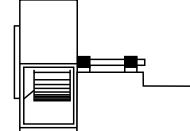
Arr. 3 DWDI
One bearing on each
side and supported
by fan housing.



Arr. 4 SWSI
For direct drive.
Impeller over-hung on
prime mover shaft.
No bearings on fan.
Prime mover base
mounted or integrally
directly connected. *



Arr. 7 DWDI, SWSI
For belt drive or
direct connection.
Arrangement 3 plus
base for prime mover. *

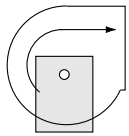


Arr. 8 SWSI
For belt drive or
direct connection.
Arrangement 1 plus
extended base for
prime mover. *

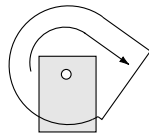
Rotation and Discharge

The direction of rotation is determined from the drive side of the fan. On single inlet fans, drive side is always considered as the side opposite the fan inlet. The angle of the discharge is based on the horizontal axis of the fan and is designated in degrees (45° standard) above or below the standard reference axis.

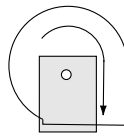
Clockwise Rotation



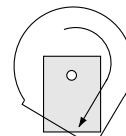
Top Horizontal



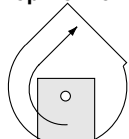
Top Angular Down



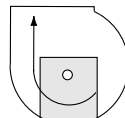
Down Blast



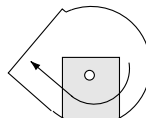
Bottom Angular Down *



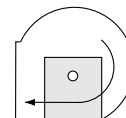
Top Angular Up



Up Blast

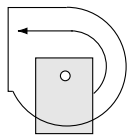


Bottom Angular Up

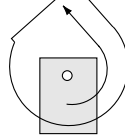


Bottom Horizontal

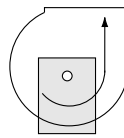
Counter Clockwise Rotation



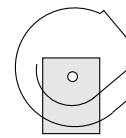
Top Horizontal



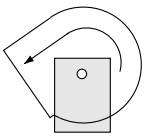
Top Angular Up



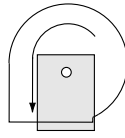
Up Blast



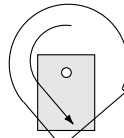
Bottom Angular Up



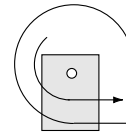
Top Angular Down



Down Blast



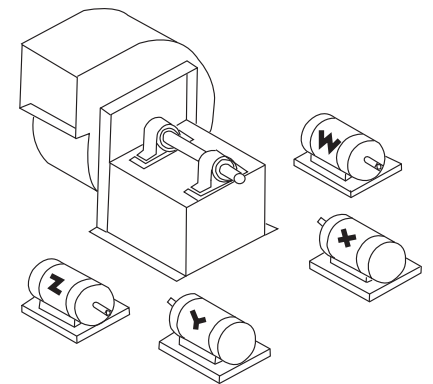
Bottom Angular Down *



Bottom Horizontal

Motor Positions for Belt Drive Centrifugal Fans

To determine the location of the motor, face the drive side of the fan and pick the proper motor position designated by the letters W, X, Y or Z as shown in the drawing.



*Consult factory for availability

UL 762 Listed for Restaurant Exhaust Appliances

COOK products with a UL 762 listing are designed to eject contaminated or grease-laden air. These products are UL listed to operate continuously at elevated temperatures and continue operation during grease flare-up. All of these units are intended for installation in accordance with the National Fire Protection Association (NFPA) Standard 96: Standard for Ventilation Control and Fire Protection of Commercial Cooking Operations.

UL Listed to Operate Continuously to 500°F

- CA / CA-SWSI Arrangement 1, 9 and 10
- CA-4 / CA-4 SWSI Arrangement 1 and 2
- CF / CF Arrangement 1, 9 and 10
- CF-4 / CF-4 Arrangement 1 and 2

These COOK products must be ordered with drain and access door to comply with UL requirements. Weather covers are required for outdoor applications. When airstream temperatures are expected to exceed 180°F, high temperature accessories may be required.

Two Grease Collection Options

The Grease Terminator 2 is a grease-capture and containment system. It uses the same material that oil companies use to clean catastrophic oil spills on the ocean. It lasts about 30 to 45 days and is then replaced.

The grease trough is constructed of continuously welded .064 aluminum and includes a pan, lid and mounting hardware. Both the curb and non-curb mounted versions feature a baffled design for extended capacity. The lid and pan are removable for easy cleaning.

UL Listing Power Ventilator for Smoke Control Systems

The UL listing “Power Ventilator for Smoke Control Systems” is a test procedure and category which was initiated by Loren Cook Company and developed in a joint effort with UL in 1990. Several different sources were used in the definition of this test procedure. These sources include UL Standards 705, 762, 793, Southern Building Code Congress International (SBCCI) Standard Fire Prevention Code/1988, and Industrial Risk Insurers (IRI) Document E2. The requirements for the UL listing “Power Ventilator for Smoke Control Systems” are summarized as follows.

- The unit must withstand a specified elevated airstream temperature for a specified duration.
- The unit must be listed under UL 705.
- Fans with integral butterfly dampers shall meet the following requirements:
 - Fans shall be fitted with spring loaded damper actuator arms which will open the dampers automatically when the airstream temperature reaches 165°F.
 - The dampers must activate with or without electrical power connected to the fan.
 - The damper actuators must meet the requirements in UL 793 for Snow and Dust Load Testing of Butterfly Dampers (10 pounds per square foot).

Model	Sizes	Maximum Pressure	Duration at Specified Airstream Temp.			
			302°F	500°F	572°F	1000°F
CA / CF *	120 thru 730	12.0"	-	4 HOURS	-	2 HOURS

* SWSI Arrangements 1, 8, 9 & 10 only. Requires optional accessories. See catalog for details.

High Temperature Operation Notes

Temperature Range (°F)	Fan Arrangement	Construction Requirements
-20 to 180	All	Standard Construction
181 to 230	1, 2, 8, 9 & 10	Standard Construction
	3	High Temperature Bearings
231 to 300	1, 2, 8, 9 & 10	High Temperature Paint
	3	High Temperature Paint High Temperature Bearings
301 to 500	1, 2, 8, 9 & 10	High Temperature Paint
		Special Louvered Weather Cover (if WC required)
		Shaft Cooler
		No Aluminum Wheel Construction Motor Heat Shield required on Arr. 2, 9 & 10
501 to 800	1, 2, 8 & 9	High Temperature Paint
		High Temperature Bearings
		Shaft Cooler
		No Aluminum Construction Motor Heat Shield required on Arr. 2 & 9
800 and up	1 & 8	Consult Factory

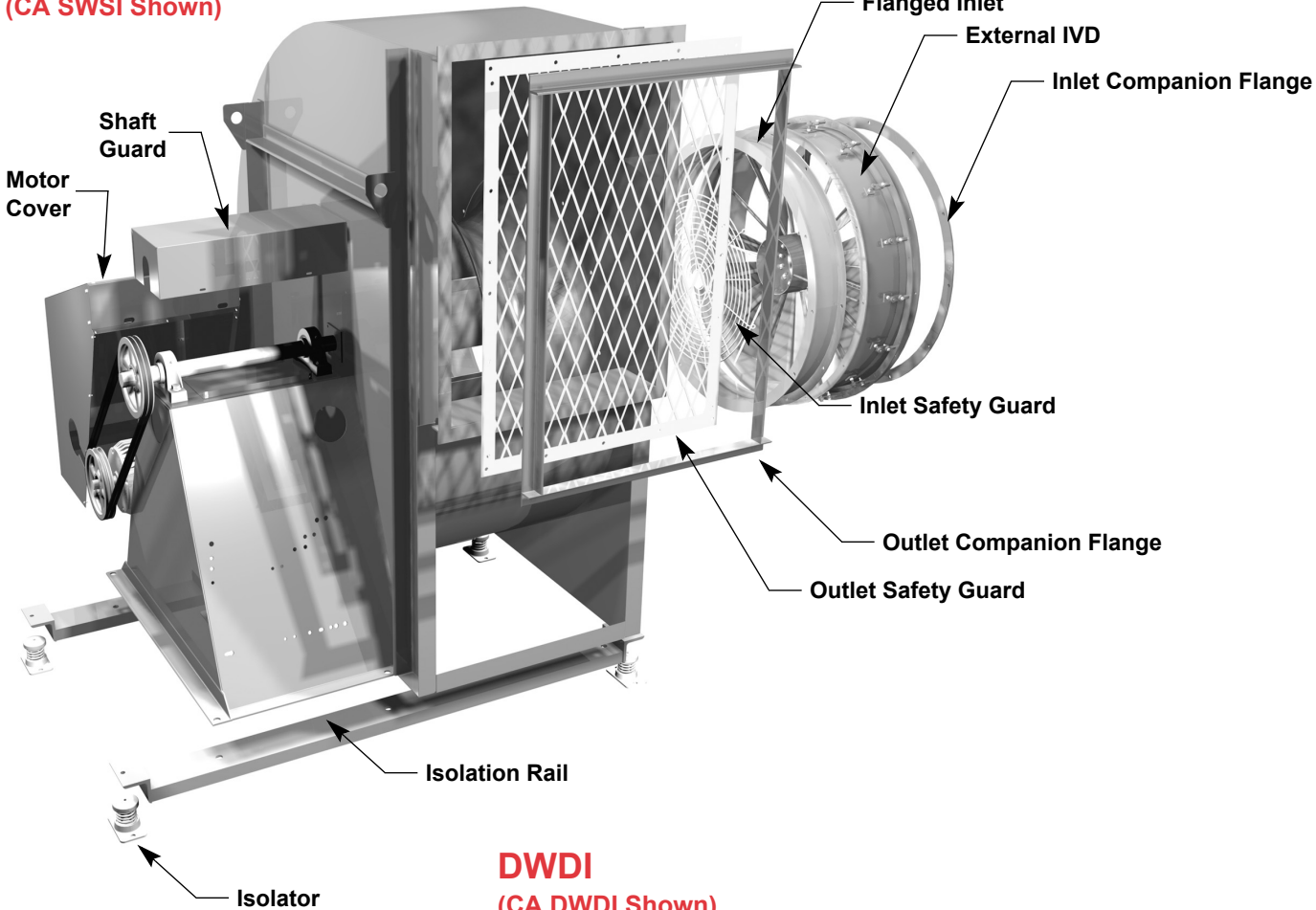
Special Notes:

1. For each degree that the Ambient temperature is above 100°F, the maximum airstream temperature is reduced by 5.5°F.

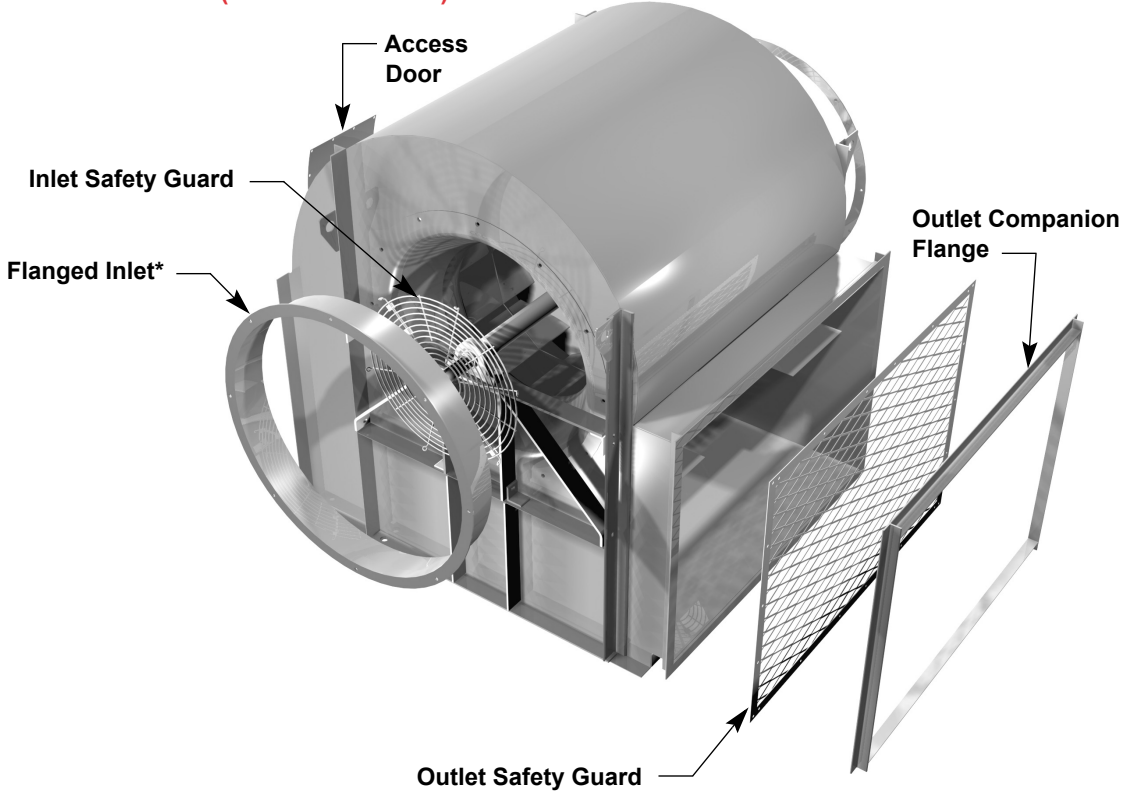
For elevated airstream temperatures, the maximum fan speed limits must be derated by the factors below.

Material	Operating Temperature (°F)	Speed Limit Factor
Carbon Steel	70	1.00
	200	0.98
	300	0.96
	400	0.94
	500	0.91
	600	0.87
	700	0.81
Aluminum	800	0.75
	70	1.00
	200	0.93
	300	0.79

SWSI
(CA SWSI Shown)



DWDI
(CA DWDI Shown)



*Only Available with External IVD.

Access Door

An access door is available in a bolted or hinged configuration. The door provides access for cleaning and inspection and is constructed from the same material as the fan housing. A gasket is also utilized to minimize leakage.

Belt Guard

Belt guards are available which cover the shaft and drive components. The guard is constructed of minimum 16 gauge **LORENIZED™** steel and is factory installed. OSHA belt guards are also available to completely enclose the shaft and drive components. Optional expanded metal construction is also available; please consult factory.

Shaft Guard, Arr. 1, 2 & 9 available in steel & alum.

A shaft guard is available that covers the bearings and shaft to protect personnel during fan operation.

Inlet/Outlet Safety Guards

Inlet/Outlet safety guards are available to protect personnel and prevent debris from entering the fan. Safety guards are constructed of either expanded metal or wound spiral rings and are factory installed. Available in optional safety yellow. Cataloged performance is based on fans without safety guards.

Shaft Cooler

A shaft cooler is required for air temperature above 300°F. The shaft cooler is an aluminum casting with radial vanes mounted on the shaft between the inboard bearing and the fan housing. It is designed to dissipate heat which is conducted along the shaft. In addition, it prevents excessive bearing temperatures.

Weather Cover / OSHA Belt Guard

Weather covers are available to completely enclose the motor, shaft and drive components. The weather cover is constructed of minimum 16 gauge **LORENIZED™** steel. A weather cover also functions as an effective OSHA belt guard.



Shaft Seal

The shaft seal reduces air leakage around fan shaft in high discharge pressure applications. It is constructed of aluminum and nitrile rubber.

Rub Ring

The rub ring lines the hole through which the shaft passes to prevent the shaft and wheel from contacting the housing. The rub ring is constructed of aluminum.

Drain

A drain coupling can be located in the bottom of the scroll housing. The coupling is continuously welded to the scroll and is threaded for a 3/4 inch pipe connection.

Horizontal Split Housing

CA/CF housings may be split and disassembled in the field to allow the unit to fit through smaller openings when required. The blower should be balanced prior to being put into service if the wheel and/or shaft were removed in the field.

Extended Life Bearings

Extended life bearings are available that provide L10 life in excess of 200,000 hours. Ratings are calculated per AFBMA Standards and based on maximum operating conditions.

Grease Trough

A grease trough provides for collection of grease from the CP unit. The grease trough is constructed of .064 aluminum and includes a pan, lid and mounting hardware. The pan is continuously welded and slides out for easy removal and cleaning and features a baffled design for extended capacity.



Coatings

Standard **LORENIZED®** Fan Finish

LORENIZED is an electrostatically applied, baked polyester powder coating. This coating technology offers good chemical resistance, excellent mechanical performance and excellent protection from outdoor elements. Steel components go through an environmentally friendly five stage pretreatment process before the powder is applied. They are washed and treated until all surfaces are perfectly clean, chemically prepared and electrostatically charged - ready to bond with the powder. This insures excellent adhesion, uniformity and consistent coverage. The coating is a minimum 2 mil thick. The standard color is gray. **LORENIZED** Fan Finish exceed 1,000 hour salt spray under ASTM B117 test method.

Polyester Powder Testing Information

Impact Resistance	Test - ASTM D2794	Value - 100 inch-pounds
Pencil Hardness	Test - ASTM D3363	Value - 2H (Mar or Gouge)
Crosshatch Adhesion	Test - ASTM D3359 Method B	Value - 100%
Humidity Resistance	Test - ASTM D2247	Value - 1000+ Hours
Salt Spray	Test - ASTM B117	Value - 1000+ Hours
Continuous Service Temperature	Test - N/A	Value - 230°F (110°C)

Other Coatings

Cook Epoxy Powder is an electrostatically applied, baked epoxy powder coating. Coating thickness is 2.5 – 3.5 mils. *

Cook Phenolic Epoxy Powder is an electrostatically applied, baked phenolic epoxy powder coating. Coating thickness is 2 – 4 mils. *

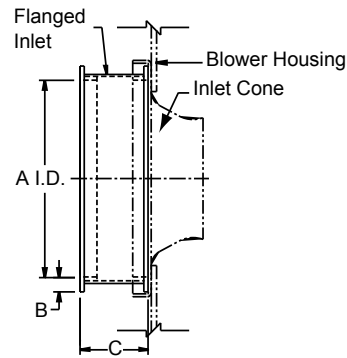
Cook Easy Clean Powder is an electrostatically applied, baked modified epoxy silicone powder producing a high temperature “non-stick” coating. Coating thickness is 1.3 - 1.7 mils.

Air Dry Phenolic (Heresite VR-504) is a conventional spray applied phenolic resin coating. Coating thickness is 4 – 6 mils. *

*For outdoor applications an optional UV resistant topcoat is required to prevent deterioration of the coating.

Flanged Inlet

Flanged inlet connections are available for applications requiring flanged inlet duct connections. Flanged inlets are available on all Arrangements. Flanged inlet connection is required when using



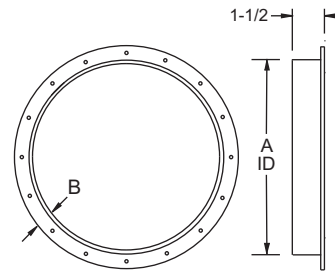
Size	A	B	C
120	12-5/8	1-1/2	5-3/4
135	14-1/8	1-1/2	5-3/4
150	15-5/8	1-1/2	5-3/4
165	17	2	5-3/4
180	18-1/2	2	5-3/4
195	19-3/4	2	6-1/4
210	21-1/2	2	6-1/4
225	23	2	6-1/4
245	25	2	6-1/4
270	27-1/4	2	6-1/4
300	30-1/4	2	6-1/4
330	33-1/4	2	6-1/4
365	36-3/4	2	6-1/4
402	40-1/2	2	6-1/4
445	44-3/4	2	6-1/4
490	50-1/4	2	6-3/4
540	55-1/4	2	7-3/4
600	61-1/4	2	7-3/4
660	67-1/4	2	7-3/4
730	74-1/4	2	9-3/4

All dimensions in inches.

Inlet/Outlet Companion Flanges

Inlet/outlet companion flanges are available for use in conjunction with the flanged inlet/outlet. The companion flanges are attached to the adjacent ductwork to provide an exact mate to the flanged connection on the fan.

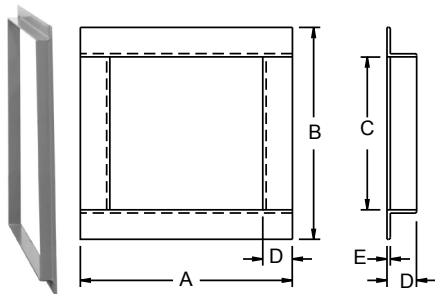
Inlet Companion Flange



Size	A	B
60-100	10-5/8	1-1/2
120	12-5/8	1-1/2
135	14-1/8	1-1/2
150	15-5/8	1-1/2
165	17	2
180	18-1/2	2
195	19-3/4	2
210	21-1/2	2
220-225	23	2
245-250	25	2
270	27-1/4	2
300	30-1/4	2
330	33-1/4	2
365	36-3/4	2
402	40-1/2	2
445	44-3/4	2
490	50-1/4	2
540	55-1/4	2
600	61-1/4	2
660	67-1/4	2
730	74-1/4	2

All dimensions in inches.

Outlet Companion Flange



Size	CA/CF SWSI					CA DWDI				
	A	B	C	D	E	A	B	C	D	E
120	12-3/8	16-5/16	13-5/16	1-1/2	1/8	21-1/16	15-1/2	12-3/8	1-1/2	1/8
135	13-1/2	17-15/16	14-15/16	1-1/2	1/8	23-5/16	17	13-7/8	1-1/2	1/8
150	14-5/8	19-5/8	16-5/8	1-1/2	1/8	25-3/8	18-5/8	15-1/2	1-1/2	1/8
165	15-13/16	21-1/4	18-1/4	1-1/2	1/8	27-3/8	20-5/16	17-3/16	1-1/2	1/8
180	16-15/16	22-7/8	19-7/8	1-1/2	1/8	29-7/16	21-7/8	18-3/4	1-1/2	1/8
195	18-3/16	24-1/2	21-9/16	1-1/2	1/4	31-13/16	22-7/8	19-3/4	1-1/2	1/4
210	19-5/16	26-3/16	23-1/4	1-1/2	1/4	33-3/4	25	21-7/8	1-1/2	1/4
225	20-7/16	27-13/16	24-7/8	1-1/2	1/4	35-7/8	26-9/16	23-7/16	1-1/2	1/4
245	22	30	27	1-1/2	1/4	38-7/16	28-7/8	25-3/4	1-1/2	1/4
270	23-7/8	32-3/4	29-3/4	1-1/2	1/4	42-13/16	30-7/8	27-3/4	1-1/2	1/4
300	26-3/16	36	33-1/16	1-1/2	1/4	46-7/16	34-5/8	31-7/16	1-1/2	1/4
330	29-1/2	40-5/16	36-3/8	2	1/4	51-1/2	38-15/16	34-7/8	2	1/4
365	32-1/8	44-3/16	40-3/16	2	1/4	56-5/8	43-1/8	39-1/16	2	1/4
402	35	48-5/16	44-5/16	2	1/4	62-1/4	46-3/16	42-1/8	2	1/4
445	38-1/4	52-15/16	48-15/16	2	1/4	68-11/16	50-3/8	46-5/16	2	1/4
490	41-11/16	57-7/8	53-7/8	2	1/4	74-9/16	55-7/16	51-3/8	2	1/4
540	45-1/2	63-5/16	59-5/16	2	1/4	82-3/8	60-3/16	56-1/8	2	1/4
600	50-1/16	70	65-7/8	2	1/4	90-11/16	66-5/8	62-9/16	2	1/4
660	54-11/16	76-9/16	72-7/16	2	1/4	99-5/16	72-7/8	68-13/16	2	1/4
730	60	84-1/4	80-1/8	2	1/4	109-3/16	80-1/4	76-3/16	2	1/4

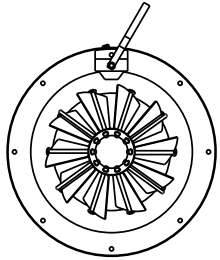
All dimensions in inches.

ACCESSORIES & OPTIONS

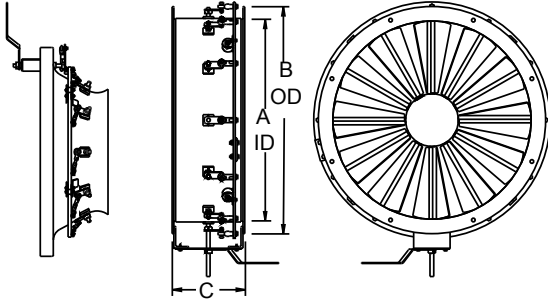
Inlet Vane Damper

Inlet vane dampers are available in nested or external type. Inlet vane dampers are used to provide precise air volume control while maintaining maximum efficiency and stable operation at part load conditions. Nested type Inlet Vane Dampers are typically used in non-ducted applications, while external Inlet Vane Dampers are used in ducted applications. Nested type is available on sizes 245 to 730. External type is available on sizes 120 to 730. **External inlet vane dampers used on Arrangement 3 fans require optional flanged inlet connection and should only be used when a direct inlet duct connection is required.** External inlet vane dampers used on DWDI fans will lower the class speed limit by as much as 50 percent. Please consult factory for details. Cataloged performance is based on fans without inlet vane dampers.

Nested



External



Size	A	B	C
120	12-7/8	15-7/8	10
135	14-3/8	17-3/8	10
150	15-7/8	18-7/8	10
165	17-3/8	20-3/8	10
180	18-7/8	21-7/8	10
195	20	23	10
210	21-3/4	24-3/4	10
225	23-1/4	26-1/4	10
245	25-1/4	28-1/4	10
270	27-1/4	31-1/4	10

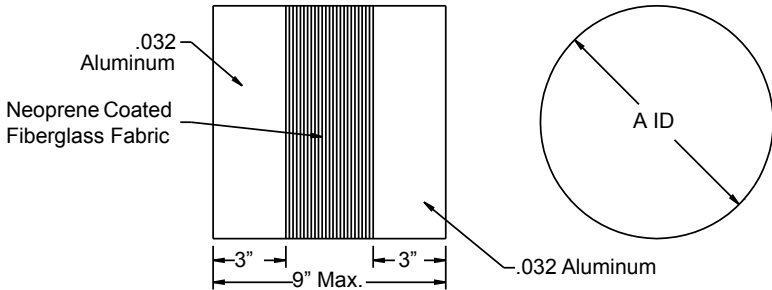
Size	A	B	C
300	30-1/4	34-1/4	10
330	33-1/4	37-1/4	10
365	36-3/4	40-3/4	10
402	40-1/2	44-1/2	11
445	44-3/4	48-3/4	11
490	50-1/4	54-1/4	11
540	55-1/4	59-1/4	12
600	61-1/4	65-1/4	12
660	67-1/4	71-1/4	12
730	74-1/4	78-1/4	12

All dimensions in inches.

Inlet/Outlet Flexible Duct Connector

Flexible Duct Connectors provide a flexible connection between the fan and the attached ductwork. This reduces the transmission of noise and vibration to the ductwork as well as allowing for slight misalignment and easy removal of the fan without disturbing the rigid ductwork. Flex Duct Connectors are constructed of reinforced neoprene fabric and aluminum bands; not to be used for UL762 (Restaurant Exhaust) or smoke control units, or temperatures in excess of 250°F.

Inlet - (CA/CF SWSI, Class I only)

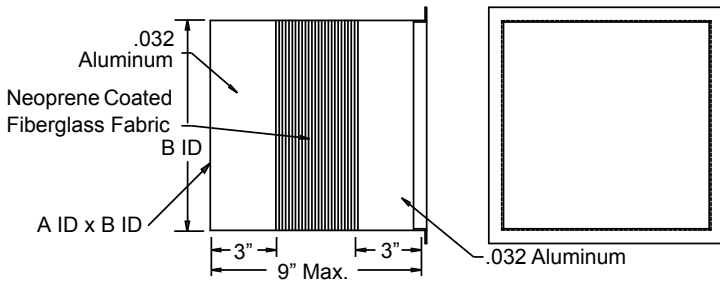


Size	A
120	16-1/4
135	17-3/4
150	19-1/4
165	21-1/4
180	22-3/4
195	24-1/4
210	26
225	27-1/2
245	29-1/2
270	32

Size	A
300	35
330	38
365	41-1/2
402	45-1/4
445	49-1/2
490	55
540	60
600	66
660	72
730	79

All dimensions in inches.

Outlet - (CA/CF SWSI, Class I only)



Size	A	B
120	9-5/8	13-9/16
135	10-3/4	15-3/16
150	11-7/8	16-7/8
165	13-1/16	18-1/2
180	14-3/16	20-1/8
195	15-11/16	22-1/16
210	16-13/16	23-3/4
225	17-15/16	25-3/8
245	19-1/2	27-1/2
270	21-3/8	30-1/4

Size	A	B
300	23-11/16	33-9/16
330	26	36-7/8
365	28-5/8	40-11/16
402	31-1/2	44-13/16
445	34-3/4	49-7/16
490	38-3/16	54-3/8
540	42	59-13/16
600	46-9/16	66-3/8
660	51-3/16	72-15/16
730	56-1/2	80-5/8

All dimensions in inches.

Outlet Flexible Duct Connector includes Outlet Companion Flange.

Shutters

Shutters are available in aluminum or galvanized, gravity or motorized

Standard duty shutter for discharge velocities up to 2000 FPM. heavy duty shutter for discharge velocities of 2000 FPM to 3000 FPM. Gravity units not available on downblast and top angular down discharges. Consult factory for speeds above 3000 FPM. On motorized shutters, size 490 and up, 2 motors are require.

The model names are the following acronym, plus a dash and the size. (like: ADSS-120)



Aluminum

Galvanized

Aluminum

Gravity:
ADSS for standard
ADSH for heavy duty

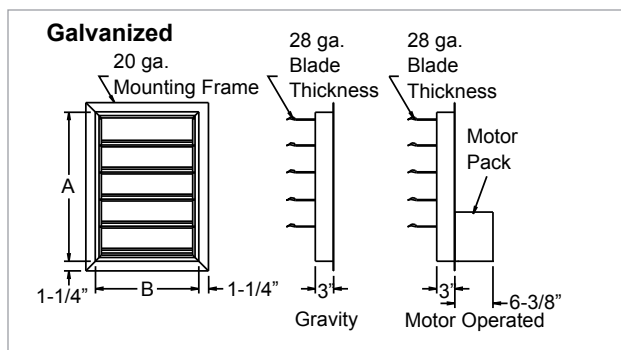
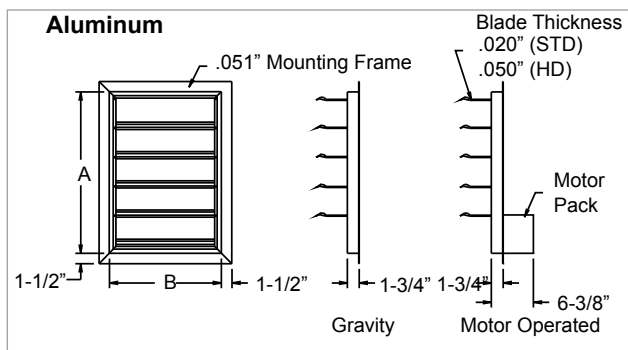
Motorized:
MDSS for standard
MDSH for heavy duty

Galvanized

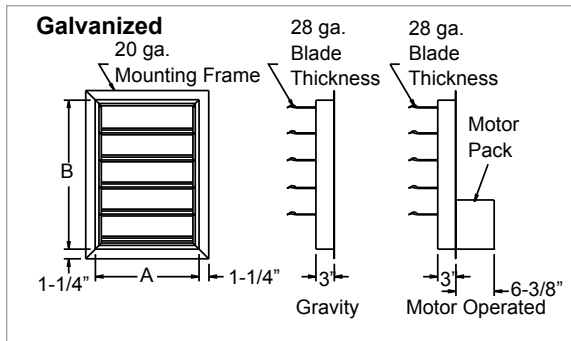
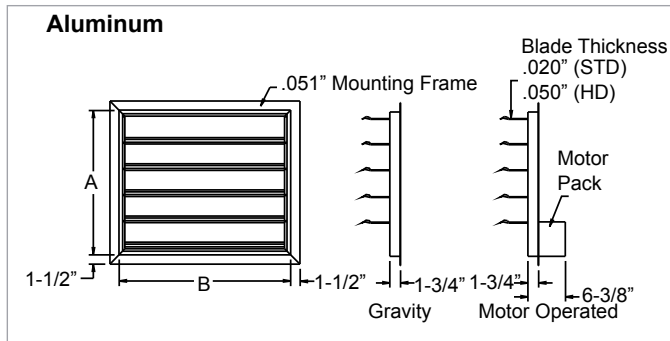
Gravity: ADGS
Motorized: MDGS

For CA/CF DWDI Add a D on the end (like: ADSS-120D)

SWSI shutters



DWDI shutters



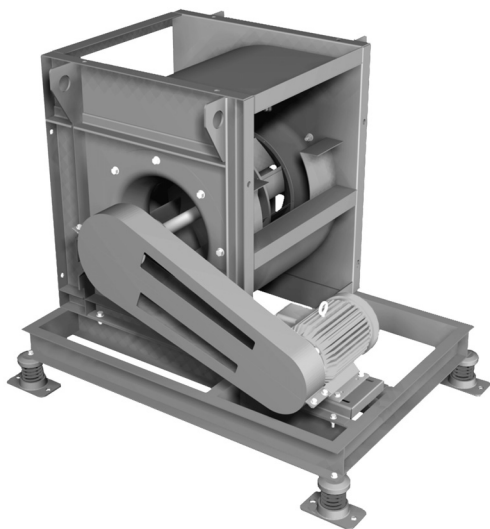
SWSI

Size	A	B	Size	A	B
120	12-15/16	9	300	32-13/16	22-15/16
135	14-9/16	10-1/8	330	36-1/8	25-1/4
150	16-1/4	11-1/4	365	39-15/16	27-7/8
165	17-13/16	12-3/8	402	44-1/16	30-3/4
180	19-7/16	13-1/2	445	48-11/16	34
195	21-1/16	14-11/16	490	53-5/8	37-7/16
210	22-3/4	15-13/16	540	59-1/16	41-1/4
225	24-3/8	16-15/16	600	65-5/8	45-13/16
245	26-9/16	18-1/2	660	72-3/16	50-7/16
270	29-9/16	20-5/8	730	79-7/8	55-3/4

All dimensions in inches.

DWDI

Size	A	B	Size	A	B
120	12-1/8	17-11/16	300	31-3/16	43
135	13-5/8	19-15/16	330	34-1/2	47-1/16
150	15-1/4	22	365	38-11/16	52-3/16
165	16-15/16	24	402	41-3/4	57-13/16
180	18-1/2	26-1/16	445	45-15/16	64-1/4
195	19-1/2	28-7/16	490	51	70-1/8
210	21-5/8	30-3/8	540	55-3/4	77-15/16
225	23-3/16	32-1/2	600	62-3/16	86-1/4
245	25-1/2	35-1/16	660	68-7/16	94-7/8
270	27-1/2	39-7/16	730	75-13/16	104-3/4



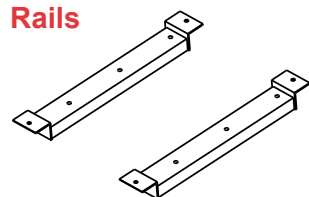
Isolators

Loren Cook Company offers a full line of vibration isolation products. This offering includes: rubber-in-shear and spring isolators, isolation rails and bases, and inertia bases. By purchasing this isolation equipment and the fan directly from Loren Cook, the customer is assured of proper fit and coordinated delivery.

Isolation bases purchased with the fan are normally tested and shipped with the fan pre-mounted. Isolators are shipped loose.

For more information consult COOK's Vibration Isolation Brochure.

Isolation Rails

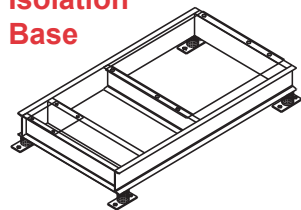


Isolation rails are recommended for all Arrangement 2 fans with motor mounted, and are required for isolating any Arrangement 9 or 10 fan with a centrifugal wheel diameter of 30 inches or more, unless the fan is supplied with an isolation or inertia base (see below).

Smaller fans may benefit from isolation rails if fan attachment points do not coincide with desired mounting locations. Isolation rails, supplied in pairs, are designed to run the full length of the supported equipment (parallel to shafts) and can only be used on fans where the motor is an integral part of the fan.

Each rail is constructed of rigid structural steel components coated with the standard factory finish, and are intended to be used in conjunction with two RIS Floor, Spring Floor, or Restrained Spring isolators depending on the needs of the application. They can also be used in ceiling mount applications with RIS Ceiling or Spring Ceiling Isolators. **Isolators are not included with the rails unless otherwise specified.** Optional seismic type isolators are also available; consult factory for more information.

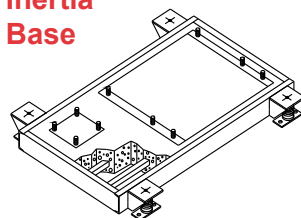
Isolation Base



An isolation base is used to provide a single integral support for the fan and motor in cases where the motor is not an integral part of the fan such as Arrangements 1 and 3. Isolation bases are designed to run the full length of the supported equipment and motor. The base is constructed of structural steel channel (ASTM-A36) sized to resist belt pull and maintain proper alignment between the fan and motor. All connections are fully welded. The isolation base requires an adjustable motor slide base for motor mounting. Isolation bases are provided with mounting holes at each of the four corners and are available with optional rubber-in-shear (RF), spring floor (SF) or housed spring floor (HF) isolators (set of four required). Optional height saving brackets are also available.

Isolation bases are provided with mounting holes at each of the four corners and are available with optional rubber-in-shear (RF), spring floor (SF) or housed spring floor (HF) isolators (set of four required). Optional height saving brackets are also available.

Inertia Base

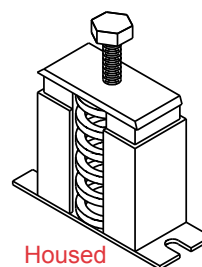


Inertia bases are used where additional mass is required to help dampen and dissipate vibration on large or high velocity fan equipment. The added weight allows the use of stiffer springs which further limits movement. The base is designed as a form for concrete which is poured on-site. The base consists of structural steel channel perimeter frame, with angle stiffeners on the interior of the base running in two directions. Height saving brackets are provided standard. Inertia bases are special quoted on request. An adjustable motor slide base is required for motor mounting and optional spring floor (SF) or housed spring floor (HF) isolators are also available.

Height saving brackets are provided standard. Inertia bases are special quoted on request. An adjustable motor slide base is required for motor mounting and optional spring floor (SF) or housed spring floor (HF) isolators are also available.

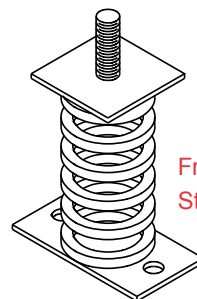
Floor Mounted

Model	Model			Rated Load	Spring Rate
	Housed Spring	Free Standing Spring	Restrained Spring		
	SF-70	RS-70		70	51
HF-120	SF-120	RS-120		120	98
HF-220	SF-220	RS-220		220	196
HF-320	-	-		320	302
HF-370	SF-370	RS-370		370	366
HF-500	-	-		500	500
-	SF-625	RS-625		625	419
HF-700	-	-		700	700
HF-800	-	-		800	588
HF-1000	-	-		1000	826
HF-1250	SF-1250	RS-1250		1250	1096
HF-1700	SF-1700	RS-1700		1700	1700
HF-2200	SF-2200	RS-2200		2200	2200
HF-3500	SF-3500	RS-3500		3500	3500

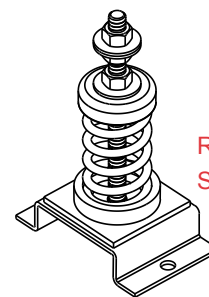


Housed Spring

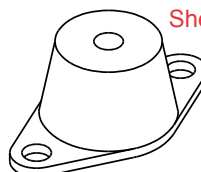
Isolators listed are designed to provide a minimum of 50 percent of overload. A single hole is provided at the center of the plate.



Free Standing



Restrained Spring



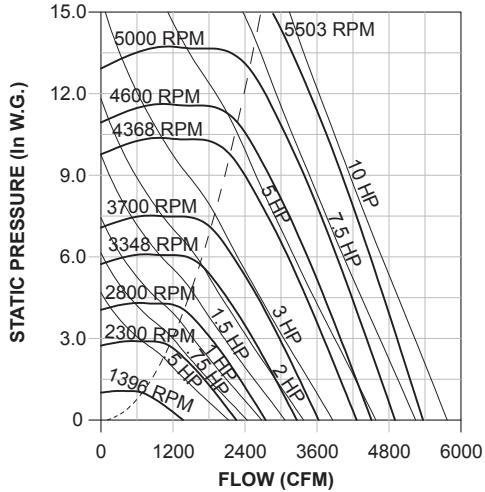
Rubber-in-Shear

Rubber-in-Shear	Rated Load (lbs.)
RF-55	55
RF-120	120
RF-220	220
RF-375	375
RF-600	600
RF-1100	1100
RF-2250	2250

120 CA SWSI

Wheel Diameter = 12"
 Wheel Type = Airfoil
 Tip Speed (FPM) = 3.14 x RPM
 Max. BHP = .058 (RPM/1000)³
 Inlet Area = .92 Sq. Ft.
 Outlet Area = .84 Sq. Ft.
 Outlet Velocity (FPM) = CFM/.84

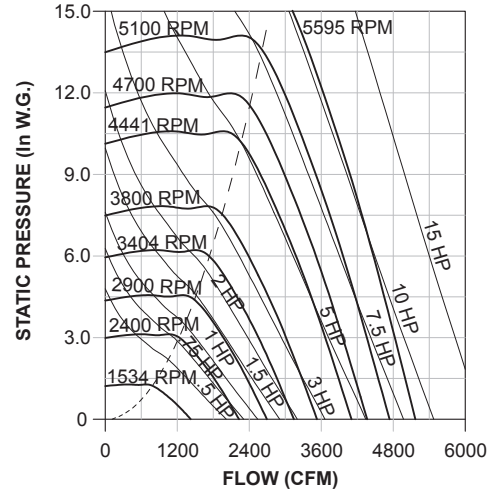
Class I Max. RPM - 3348
Class II Max. RPM - 4368
Class III Max. RPM - 5503



120 CF

Wheel Diameter = 12"
 Wheel Type = Flat Blade
 Tip Speed (FPM) = 3.14 x RPM
 Max. BHP = .060 (RPM/1000)³
 Inlet Area = .92 Sq. Ft.
 Outlet Area = .84 Sq. Ft.
 Outlet Velocity (FPM) = CFM/.84

Class I Max. RPM - 3404
Class II Max. RPM - 4441
Class III Max. RPM - 5595



120 CA SWSI

CFM	OV	1.000 SP		1.500 SP		2.000 SP		3.000 SP		4.000 SP		5.000 SP		6.000 SP		8.000 SP		10.000 SP		12.000 SP	
		RPM	BHP	RPM	BHP	RPM	BHP	RPM	BHP	RPM	BHP	RPM	BHP	RPM	BHP	RPM	BHP	RPM	BHP	RPM	BHP
700	835	1396	.15																		
950	1134	1544	.21	1757	.30																
1200	1433	1719	.29	1915	.40	2091	.51	2413	.75												
1450	1731	1914	.40	2091	.53	2255	.66	2549	.93	2816	1.21										
1700	2030	2121	.54	2283	.69	2433	.83	2710	1.14	2959	1.46	3190	1.78	3413	2.13						
1950	2328	2338	.71	2487	.88	2626	1.04	2883	1.38	3121	1.74	3339	2.10	3544	2.47	3935	3.25				
2200	2627	2561	.92	2699	1.11	2829	1.29	3069	1.67	3293	2.06	3502	2.46	3699	2.87	4062	3.71	4409	4.59		
2450	2925	2790	1.17	2918	1.38	3039	1.58	3265	2.00	3475	2.42	3674	2.86	3863	3.31	4213	4.22	4536	5.16	4848	6.13
2700	3224	3022	1.47	3142	1.69	3256	1.92	3469	2.38	3668	2.85	3856	3.31	4036	3.79	4375	4.79	4686	5.80	4979	6.83
2950	3522	3258	1.82	3370	2.07	3477	2.31	3679	2.82	3868	3.32	4047	3.83	4218	4.34	4543	5.40	4846	6.49	5129	7.60
3200	3821	3496	2.23	3602	2.49	3703	2.76	3895	3.31	4075	3.86	4245	4.40	4409	4.95	4720	6.07	5013	7.24	5288	8.43
3450	4119	3736	2.70	3835	2.98	3932	3.27	4114	3.86	4285	4.44	4449	5.03	4606	5.62	4904	6.82	5186	8.05	5454	9.31
3700	4418	3979	3.24	4073	3.55	4163	3.85	4337	4.48	4501	5.11	4658	5.74	4809	6.37	5095	7.63	5366	8.93		
3950	4716	4222	3.85	4311	4.18	4396	4.50	4563	5.17	4721	5.84	4871	6.51	5016	7.18	5291	8.53				
4200	5015	4466	4.54	4551	4.88	4634	5.23	4792	5.93	4943	6.64	5088	7.36	5226	8.07						
4450	5314	4714	5.32	4793	5.68	4871	6.04	5022	6.78	5168	7.53	5308	8.29	5441	9.04						
4700	5612	4961	6.18	5038	6.56	5112	6.94	5257	7.72	5395	8.50										
4950	5911	5207	7.12	5280	7.52	5351	7.92														

120 CF

CFM	OV	1.000 SP		1.500 SP		2.000 SP		3.000 SP		4.000 SP		5.000 SP		6.000 SP		8.000 SP		10.000 SP		12.000 SP	
		RPM	BHP	RPM	BHP	RPM	BHP	RPM	BHP	RPM	BHP	RPM	BHP	RPM	BHP	RPM	BHP	RPM	BHP	RPM	BHP
950	1134	1534	.22	1738	.31																
1200	1433	1724	.31	1905	.41	2070	.53														
1450	1731	1933	.43	2096	.55	2247	.68	2523	.96	2783	1.26										
1700	2030	2157	.58	2302	.72	2441	.87	2696	1.17	2930	1.50	3153	1.85								
1950	2328	2391	.78	2522	.94	2647	1.10	2885	1.44	3104	1.79	3308	2.16	3505	2.55						
2200	2627	2632	1.02	2752	1.20	2866	1.38	3085	1.75	3292	2.14	3484	2.53	3668	2.95	4016	3.83				
2450	2925	2878	1.31	2987	1.51	3093	1.71	3296	2.12	3489	2.54	3673	2.97	3847	3.41	4173	4.34	4485	5.33		
2700	3224	3128	1.65	3229	1.88	3327	2.10	3515	2.54	3696	3.00	3869	3.46	4036	3.94	4348	4.92	4641	5.96	4922	7.05
2950	3522	3381	2.06	3475	2.30	3567	2.55	3742	3.03	3910	3.52	4074	4.02	4232	4.53	4532	5.58	4812	6.67	5078	7.81
3200	3821	3635	2.53	3723	2.80	3810	3.07	3973	3.59	4133	4.12	4287	4.65	4437	5.20	4724	6.31	4993	7.46	5249	8.65
3450	4119	3893	3.09	3975	3.37	4056	3.66	4210	4.22	4360	4.79	4505	5.36	4648	5.94	4922	7.12	5183	8.34	5429	9.59
3700	4418	4150	3.71	4229	4.02	4304	4.32	4451	4.94	4593	5.54	4731	6.15	4866	6.77	5127	8.02	5378	9.30		
3950	4716	4411	4.43	4482	4.74	4556	5.08	4696	5.74	4830	6.38	4961	7.03	5089	7.68	5337	9.00				
4200	5015	4673	5.24	4742	5.58	4810	5.93	4942	6.62	5071	7.32	5195	8.00	5317	8.69	5555	10.10				
4450	5314	4933	6.13	4999	6.50	5064	6.87	5189	7.60	5314	8.35	5432	9.07	5550	9.81						
4700	5612	5192	7.11	5257	7.51	5320	7.91	5442	8.70	5557	9.46										
4950	5911	5459	8.25	5520	8.66																

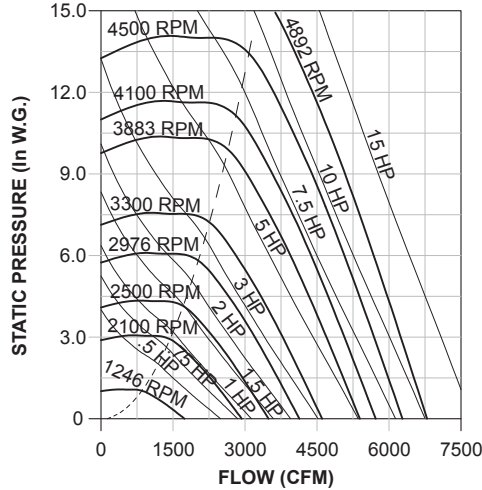
Performance certified is for installation type B: Free inlet, Ducted outlet. Power rating (BHP) does not include transmission losses. Performance ratings do not include the effects of appurtenances (accessories).

CA SWSI & CF Size 135 Data

135 CA SWSI

Wheel Diameter = 13.5"
 Wheel Type = Airfoil
 Tip Speed (FPM) = 3.53 x RPM
 Max. BHP = .10 (RPM/1000)³
 Inlet Area = 1.12 Sq. Ft.
 Outlet Area = 1.06 Sq. Ft.
 Outlet Velocity (FPM) = CFM/1.06

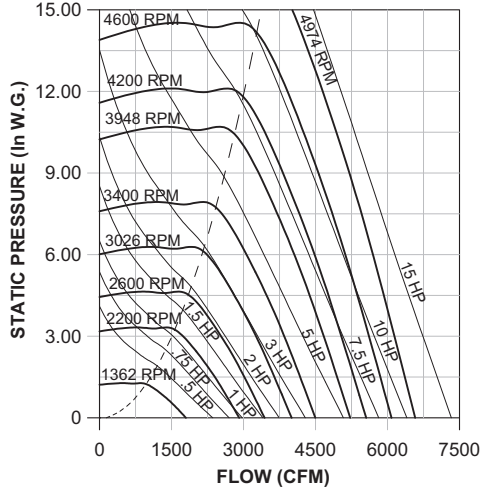
Class I Max. RPM - 2976
Class II Max. RPM - 3883
Class III Max. RPM - 4892



135 CF

Wheel Diameter = 13.5"
 Wheel Type = Flat Blade
 Tip Speed (FPM) = 3.53 x RPM
 Max. BHP = .12 (RPM/1000)³
 Inlet Area = 1.12 Sq. Ft.
 Outlet Area = 1.06 Sq. Ft.
 Outlet Velocity (FPM) = CFM/1.06

Class I Max. RPM - 3026
Class II Max. RPM - 3948
Class III Max. RPM - 4974



135 CA SWSI

CFM	OV	1.000 SP		1.500 SP		2.000 SP		3.000 SP		4.000 SP		5.000 SP		6.000 SP		8.000 SP		10.000 SP		12.000 SP	
		RPM	BHP	RPM	BHP	RPM	BHP	RPM	BHP	RPM	BHP	RPM	BHP	RPM	BHP	RPM	BHP	RPM	BHP	RPM	BHP
900	852	1246	.19																		
1200	1136	1371	.27	1561	.38																
1500	1420	1518	.36	1693	.50	1850	.64														
1800	1704	1681	.49	1840	.65	1987	.81	2250	1.15	2491	1.50										
2100	1988	1855	.65	2001	.83	2136	1.01	2385	1.40	2608	1.79	2815	2.20								
2400	2272	2036	.85	2171	1.05	2297	1.26	2529	1.68	2742	2.12	2938	2.57	3122	3.03						
2700	2556	2223	1.09	2349	1.32	2466	1.55	2683	2.01	2885	2.49	3074	2.99	3250	3.50	3578	4.53				
3000	2840	2414	1.37	2531	1.63	2642	1.88	2846	2.39	3037	2.92	3217	3.46	3386	4.01	3701	5.13	3993	6.28		
3300	3124	2609	1.71	2719	1.99	2822	2.27	3016	2.83	3196	3.40	3367	3.97	3530	4.57	3835	5.79	4115	7.03	4380	8.30
3600	3408	2807	2.11	2909	2.41	3007	2.71	3191	3.33	3363	3.94	3525	4.56	3681	5.19	3975	6.50	4247	7.84	4501	9.19
3900	3692	3006	2.56	3103	2.89	3195	3.22	3371	3.88	3534	4.55	3689	5.21	3838	5.89	4120	7.27	4385	8.71	4633	10.20
4200	3976	3209	3.10	3300	3.44	3387	3.79	3553	4.50	3710	5.22	3859	5.94	4002	6.66	4273	8.12	4528	9.63	4770	11.20
4500	4260	3410	3.69	3498	4.07	3581	4.44	3739	5.20	3890	5.97	4033	6.74	4170	7.51	4430	9.05	4677	10.60		
4800	4544	3617	4.38	3697	4.76	3778	5.17	3928	5.97	4073	6.79	4210	7.61	4342	8.43	4593	10.10	4831	11.70		
5100	4828	3821	5.14	3900	5.56	3975	5.98	4120	6.83	4258	7.70	4390	8.57	4518	9.44	4761	11.20				
5400	5112	4028	6.00	4102	6.43	4175	6.88	4314	7.78	4447	8.70	4574	9.61	4697	10.50						
5700	5396	4237	6.96	4307	7.41	4376	7.88	4509	8.82	4637	9.79	4760	10.80								
6000	5680	4445	8.01	4513	8.50	4579	8.98	4706	9.97	4828	11.00										
6300	5964	4652	9.15	4716	9.65	4779	10.20														

135 CF

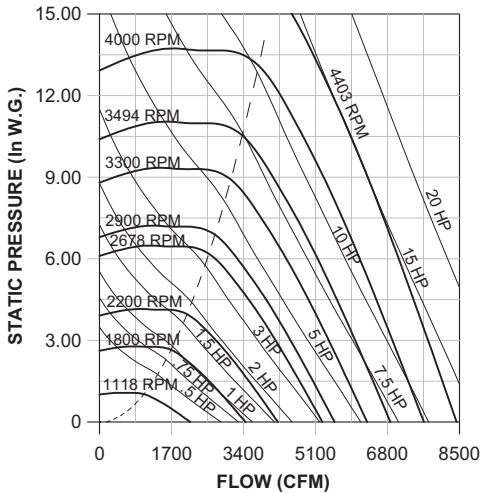
CFM	OV	1.000 SP		1.500 SP		2.000 SP		3.000 SP		4.000 SP		5.000 SP		6.000 SP		8.000 SP		10.000 SP		12.000 SP	
		RPM	BHP	RPM	BHP	RPM	BHP	RPM	BHP	RPM	BHP	RPM	BHP	RPM	BHP	RPM	BHP	RPM	BHP	RPM	BHP
1200	1136	1362	0.27	1544	0.39																
1500	1420	1522	0.38	1684	0.52	1832	0.66														
1800	1704	1697	0.52	1844	0.68	1979	0.84	2227	1.18	2462	1.56										
2100	1988	1885	0.70	2016	0.88	2141	1.06	2370	1.44	2581	1.84	2783	2.28								
2400	2272	2080	0.92	2199	1.12	2313	1.32	2528	1.74	2724	2.18	2909	2.64	3087	3.13						
2700	2556	2282	1.20	2390	1.42	2495	1.64	2694	2.10	2880	2.58	3055	3.08	3220	3.59	3536	4.69				
3000	2840	2488	1.53	2588	1.78	2685	2.02	2869	2.52	3045	3.04	3210	3.57	3368	4.12	3663	5.27	3947	6.51		
3300	3124	2697	1.92	2790	2.19	2879	2.46	3052	3.01	3216	3.57	3374	4.14	3524	4.72	3806	5.95	4072	7.23	4329	8.59
3600	3408	2909	2.38	2996	2.68	3079	2.97	3240	3.56	3395	4.17	3544	4.78	3687	5.40	3959	6.70	4211	8.05	4454	9.46
3900	3692	3124	2.91	3205	3.24	3283	3.56	3434	4.20	3579	4.84	3720	5.50	3857	6.16	4118	7.54	4361	8.95	4593	10.40
4200	3976	3339	3.52	3416	3.88	3489	4.22	3632	4.91	3769	5.60	3902	6.30	4032	7.01	4282	8.46	4518	9.96	4741	11.50
4500	4260	3557	4.23	3628	4.60	3698	4.97	3833	5.72	3963	6.45	4090	7.20	4213	7.95	4451	9.47	4680	11.10	4896	12.70
4800	4544	3773	5.01	3843	5.42	3909	5.82	4037	6.61	4161	7.40	4281	8.19	4398	8.98	4627	10.60	4846	12.30		
5100	4828	3995	5.92	4057	6.33	4120	6.75	4243	7.60	4361	8.44	4476	9.28	4588	10.10	4806	11.80				
5400	5112	4216	6.92	4276	7.36	4335	7.80	4452	8.70	4564	9.59	4674	10.50	4781	11.40						
5700	5396	4435	8.02	4492	8.48	4549	8.95	4660	9.90	4770	10.90	4874	11.80								
6000	5680	4654	9.23	4711	9.73	4766	10.20	4873	11.20												

Performance certified is for installation type B: Free inlet, Ducted outlet. Power rating (BHP) does not include transmission losses. Performance ratings do not include the effects of appurtenances (accessories).

150 CA SWSI

Wheel Diameter = 15"
 Wheel Type = Airfoil
 Tip Speed (FPM) = 3.93 x RPM
 Max. BHP = .19 (RPM/1000)³
 Inlet Area = 1.39 Sq. Ft.
 Outlet Area = 1.31 Sq. Ft.
 Outlet Velocity (FPM) = CFM/1.31

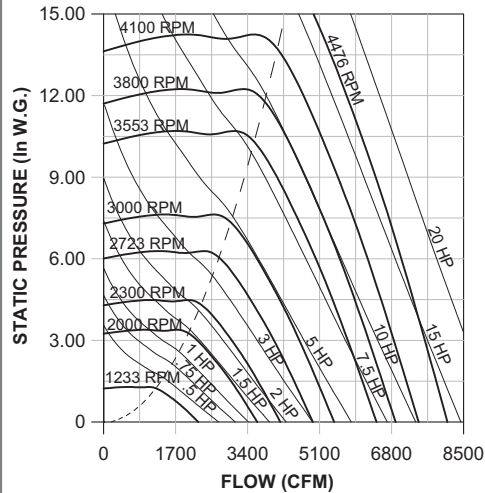
Class I Max. RPM - 2678
Class II Max. RPM - 3494
Class III Max. RPM - 4403



150 CF

Wheel Diameter = 15"
 Wheel Type = Flat Blade
 Tip Speed (FPM) = 3.93 x RPM
 Max. BHP = .21 (RPM/1000)³
 Inlet Area = 1.39 Sq. Ft.
 Outlet Area = 1.31 Sq. Ft.
 Outlet Velocity (FPM) = CFM/1.31

Class I Max. RPM - 2723
Class II Max. RPM - 3553
Class III Max. RPM - 4476



150 CA SWSI

CFM	OV	1.000 SP		1.500 SP		2.000 SP		3.000 SP		4.000 SP		5.000 SP		6.000 SP		8.000 SP		10.000 SP		12.000 SP	
		RPM	BHP	RPM	BHP	RPM	BHP	RPM	BHP	RPM	BHP	RPM	BHP	RPM	BHP	RPM	BHP	RPM	BHP	RPM	BHP
1100	842	1118	0.23																		
1500	1148	1240	0.33	1411	0.47																
1900	1455	1385	0.47	1541	0.64	1681	0.82	1936	1.19												
2300	1761	1545	0.65	1686	0.85	1816	1.05	2050	1.48	2262	1.92										
2700	2068	1716	0.87	1844	1.10	1963	1.33	2183	1.82	2381	2.33	2564	2.84	2741	3.38						
3100	2374	1895	1.15	2012	1.41	2122	1.68	2326	2.22	2515	2.79	2689	3.36	2851	3.95	3161	5.17				
3500	2680	2078	1.49	2187	1.79	2290	2.09	2480	2.69	2657	3.30	2823	3.94	2980	4.60	3268	5.91	3542	7.30		
3900	2987	2266	1.91	2367	2.24	2463	2.57	2642	3.23	2808	3.90	2965	4.59	3116	5.31	3394	6.76	3650	8.23	3896	9.77
4300	3293	2457	2.40	2552	2.76	2641	3.13	2810	3.86	2967	4.59	3116	5.34	3259	6.10	3528	7.68	3775	9.28	4007	10.90
4700	3599	2650	2.98	2739	3.37	2824	3.77	2983	4.57	3132	5.37	3274	6.18	3410	6.99	3667	8.67	3908	10.40	4132	12.20
5100	3906	2846	3.66	2929	4.08	3009	4.51	3160	5.38	3302	6.25	3437	7.12	3567	7.99	3813	9.77	4045	11.60	4264	13.50
5500	4212	3042	4.44	3122	4.90	3197	5.36	3340	6.28	3477	7.23	3606	8.17	3730	9.10	3965	11.00	4188	12.90	4401	15.00
5900	4518	3243	5.35	3315	5.82	3388	6.32	3524	7.31	3654	8.31	3778	9.32	3896	10.30	4123	12.30	4338	14.40		
6300	4825	3441	6.36	3513	6.88	3580	7.40	3710	8.45	3834	9.51	3953	10.60	4068	11.70	4286	13.80				
6700	5131	3643	7.51	3708	8.04	3774	8.60	3899	9.72	4018	10.90	4131	12.00	4242	13.10						
7100	5438	3846	8.81	3908	9.37	3970	9.96	4089	11.10	4203	12.30	4312	13.50								
7500	5744	4048	10.20	4108	10.80	4167	11.50	4280	12.70	4390	13.90										
7900	6050	4248	11.80	4305	12.40	4363	13.10														

150 CF

CFM	OV	1.000 SP		1.500 SP		2.000 SP		3.000 SP		4.000 SP		5.000 SP		6.000 SP		8.000 SP		10.000 SP		12.000 SP	
		RPM	BHP	RPM	BHP	RPM	BHP	RPM	BHP	RPM	BHP	RPM	BHP	RPM	BHP	RPM	BHP	RPM	BHP	RPM	BHP
1500	1148	1233	0.34	1395	0.49																
1900	1455	1390	0.49	1533	0.66	1665	0.84														
2300	1761	1562	0.69	1691	0.88	1811	1.09	2030	1.52	2235	1.99										
2700	2068	1746	0.94	1861	1.16	1971	1.39	2174	1.88	2359	2.39	2535	2.93								
3100	2374	1939	1.26	2042	1.51	2141	1.77	2330	2.31	2503	2.87	2665	3.45	2821	4.07						
3500	2680	2137	1.65	2231	1.94	2321	2.23	2495	2.82	2658	3.43	2812	4.07	2957	4.72	3232	6.10				
3900	2987	2339	2.13	2426	2.46	2509	2.78	2668	3.42	2821	4.09	2967	4.77	3105	5.47	3364	6.94	3610	8.50	3850	10.20
4300	3293	2544	2.71	2624	3.06	2701	3.41	2849	4.12	2991	4.84	3129	5.58	3261	6.33	3508	7.89	3740	9.53	3963	11.30
4700	3599	2752	3.38	2826	3.77	2898	4.16	3035	4.93	3169	5.71	3298	6.50	3423	7.31	3661	8.97	3883	10.70	4093	12.50
5100	3906	2960	4.16	3030	4.59	3098	5.02	3227	5.85	3352	6.69	3473	7.54	3592	8.40	3819	10.20	4033	12.00	4235	13.90
5500	4212	3172	5.08	3236	5.53	3300	5.99	3423	6.90	3540	7.80	3655	8.71	3766	9.62	3983	11.50	4189	13.40	4385	15.40
5900	4518	3382	6.11	3445	6.61	3505	7.11	3620	8.08	3732	9.05	3841	10.00	3946	11.00	4152	13.00	4350	15.00		
6300	4825	3598	7.32	3654	7.83	3710	8.35	3821	9.40	3927	10.40	4030	11.50	4130	12.50	4327	14.60				
6700	5131	3812	8.66	3866	9.21	3920	9.77	4024	10.90	4124	12.00	4223	13.10	4318	14.20						
7100	5438	4025	10.10	4077	10.70	4127	11.30	4227	12.50	4325	13.70	4418	14.80								
7500	5744	4239	11.80	4290	12.40	4339	13.10	4434	14.30												

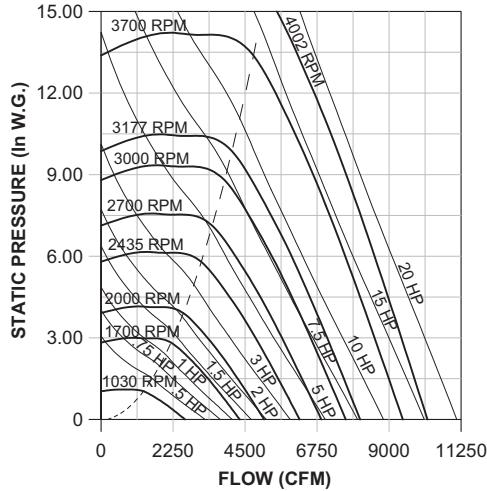
Performance certified is for installation type B: Free inlet, Ducted outlet. Power rating (BHP) does not include transmission losses. Performance ratings do not include the effects of appurtenances (accessories).

CA SWSI & CF Size 165 Data

165 CA SWSI

Wheel Diameter = 16.5"
 Wheel Type = Airfoil
 Tip Speed (FPM) = 4.32 x RPM
 Max. BHP = .30 (RPM/1000)³
 Inlet Area = 1.67 Sq. Ft.
 Outlet Area = 1.59 Sq. Ft.
 Outlet Velocity (FPM) = CFM/1.59

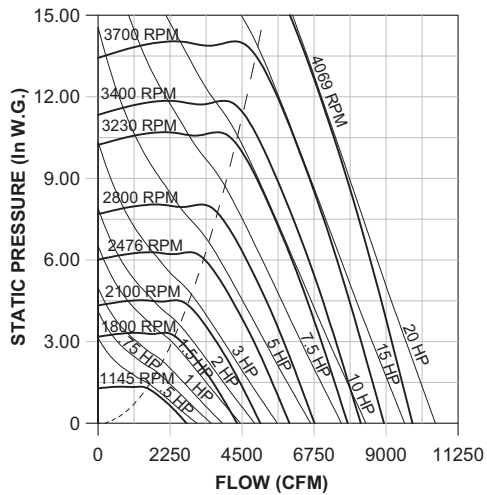
Class I Max. RPM - 2435
Class II Max. RPM - 3177
Class III Max. RPM - 4002



165 CF

Wheel Diameter = 16.5"
 Wheel Type = Flat Blade
 Tip Speed (FPM) = 4.32 x RPM
 Max. BHP = .33 (RPM/1000)³
 Inlet Area = 1.67 Sq. Ft.
 Outlet Area = 1.59 Sq. Ft.
 Outlet Velocity (FPM) = CFM/1.59

Class I Max. RPM - 2476
Class II Max. RPM - 3230
Class III Max. RPM - 4069



165 CA SWSI

CFM	OV	1.000 SP		1.500 SP		2.000 SP		3.000 SP		4.000 SP		5.000 SP		6.000 SP		8.000 SP		10.000 SP		12.000 SP	
		RPM	BHP	RPM	BHP	RPM	BHP	RPM	BHP	RPM	BHP	RPM	BHP	RPM	BHP	RPM	BHP	RPM	BHP	RPM	BHP
1400	884	1030	0.29																		
1900	1199	1149	0.43	1302	0.61	1441	0.79														
2400	1515	1288	0.61	1427	0.82	1553	1.05	1779	1.51												
2900	1831	1442	0.84	1566	1.09	1682	1.35	1892	1.89	2080	2.44										
3400	2147	1604	1.14	1718	1.43	1824	1.72	2019	2.33	2197	2.96	2360	3.60	2517	4.27						
3900	2462	1773	1.51	1878	1.84	1975	2.17	2157	2.85	2325	3.55	2481	4.28	2627	5.01	2901	6.52				
4400	2778	1947	1.97	2044	2.34	2135	2.72	2304	3.47	2461	4.23	2610	5.03	2750	5.84	3009	7.49	3251	9.20		
4900	3094	2124	2.52	2214	2.93	2299	3.35	2458	4.18	2606	5.02	2746	5.88	2880	6.76	3131	8.59	3360	10.40	3577	12.30
5400	3409	2305	3.18	2388	3.63	2468	4.09	2618	5.01	2758	5.93	2891	6.86	3018	7.81	3258	9.77	3480	11.80	3688	13.80
5900	3725	2486	3.95	2565	4.44	2640	4.94	2782	5.95	2915	6.95	3041	7.96	3162	8.97	3391	11.10	3607	13.20	3809	15.40
6400	4041	2672	4.86	2745	5.39	2816	5.93	2950	7.01	3077	8.11	3197	9.20	3312	10.30	3531	12.50	3738	14.80	3935	17.20
6900	4357	2858	5.91	2927	6.48	2993	7.05	3121	8.21	3242	9.39	3357	10.60	3467	11.70	3677	14.10	3875	16.50		
7400	4672	3045	7.11	3110	7.71	3173	8.32	3295	9.57	3410	10.80	3520	12.10	3626	13.40	3827	15.90				
7900	4988	3232	8.46	3295	9.11	3355	9.76	3471	11.10	3581	12.40	3687	13.80	3788	15.10	3982	17.80				
8400	5304	3423	10.00	3481	10.70	3537	11.40	3647	12.80	3754	14.20	3856	15.60	3953	17.00						
8900	5620	3614	11.70	3669	12.50	3723	13.20	3828	14.60	3928	16.10										
9400	5935	3802	13.60	3855	14.40	3906	15.10														

165 CF

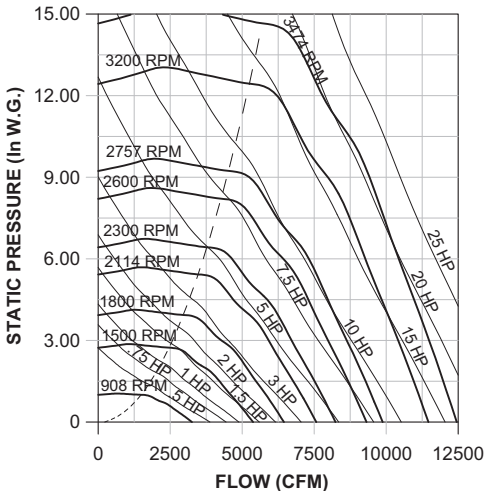
CFM	OV	1.000 SP		1.500 SP		2.000 SP		3.000 SP		4.000 SP		5.000 SP		6.000 SP		8.000 SP		10.000 SP		12.000 SP		
		RPM	BHP	RPM	BHP	RPM	BHP	RPM	BHP	RPM	BHP	RPM	BHP	RPM	BHP	RPM	BHP	RPM	BHP	RPM	BHP	
1900	1199	1145	0.44	1288	0.62																	
2400	1515	1295	0.64	1423	0.85	1540	1.07	1758	1.56													
2900	1831	1460	0.90	1574	1.14	1681	1.40	1875	1.94	2056	2.52											
3400	2147	1635	1.23	1736	1.51	1833	1.80	2014	2.41	2179	3.04	2335	3.71	2487	4.42							
3900	2462	1818	1.66	1909	1.98	1996	2.30	2163	2.97	2318	3.67	2463	4.39	2601	5.15	2867	6.77					
4400	2778	2005	2.19	2088	2.55	2167	2.91	2321	3.65	2466	4.41	2603	5.19	2733	6.01	2978	7.72	3213	9.54			
4900	3094	2195	2.82	2272	3.23	2345	3.63	2487	4.45	2622	5.27	2751	6.12	2875	7.00	3106	8.81	3324	10.70	3536	12.80	
5400	3409	2388	3.58	2460	4.04	2528	4.48	2659	5.37	2785	6.27	2906	7.18	3024	8.13	3245	10.10	3451	12.10	3649	14.20	
5900	3725	2585	4.49	2650	4.98	2714	5.47	2836	6.44	2954	7.41	3067	8.39	3179	9.41	3390	11.50	3589	13.60	3777	15.80	
6400	4041	2782	5.55	2843	6.08	2902	6.60	3018	7.67	3128	8.71	3235	9.77	3340	10.80	3542	13.00	3733	15.30	3913	17.60	
6900	4357	2981	6.77	3038	7.34	3093	7.90	3202	9.05	3306	10.20	3407	11.30	3506	12.50	3698	14.80	3882	17.20	4057	19.70	
7400	4672	3180	8.16	3234	8.77	3287	9.39	3390	10.60	3488	11.80	3584	13.00	3678	14.30	3859	16.70	4036	19.30			
7900	4988	3382	9.76	3432	10.40	3482	11.10	3579	12.40	3673	13.70	3763	15.00	3853	16.30	4026	18.90					
8400	5304	3582	11.50	3630	12.20	3678	12.90	3769	14.30	3860	15.70	3945	17.10	4031	18.50							
8900	5620	3782	13.50	3829	14.30	3875	15.00	3963	16.50	4047	18.00											
9400	5935	3987	15.80	4031	16.60																	

Performance certified is for installation type B: Free inlet, Ducted outlet. Power rating (BHP) does not include transmission losses. Performance ratings do not include the effects of appurtenances (accessories).

180 CA SWSI

Wheel Diameter = 18"
 Wheel Type = Airfoil
 Tip Speed (FPM) = 4.71 x RPM
 Max. BHP = .52 (RPM/1000)³
 Inlet Area = 2.03 Sq. Ft.
 Outlet Area = 1.88 Sq. Ft.
 Outlet Velocity (FPM) = CFM/1.88

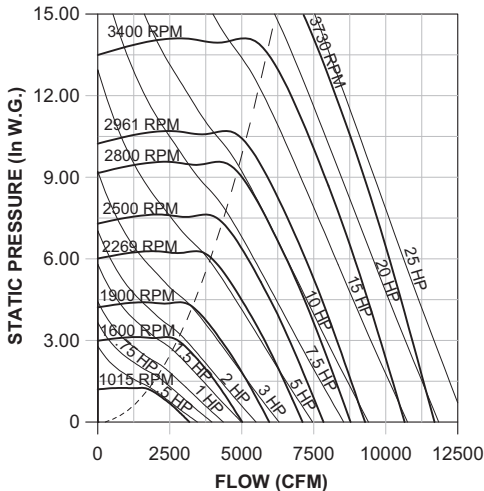
Class I Max. RPM - 2114
Class II Max. RPM - 2757
Class III Max. RPM - 3474



180 CF

Wheel Diameter = 18"
 Wheel Type = Flat Blade
 Tip Speed (FPM) = 4.71 x RPM
 Max. BHP = .43 (RPM/1000)³
 Inlet Area = 2.03 Sq. Ft.
 Outlet Area = 1.88 Sq. Ft.
 Outlet Velocity (FPM) = CFM/1.88

Class I Max. RPM - 2269
Class II Max. RPM - 2961
Class III Max. RPM - 3730



180 CA SWSI

CFM	OV	1.000 SP		1.500 SP		2.000 SP		3.000 SP		4.000 SP		5.000 SP		6.000 SP		8.000 SP		10.000 SP		12.000 SP	
		RPM	BHP	RPM	BHP	RPM	BHP	RPM	BHP	RPM	BHP	RPM	BHP	RPM	BHP	RPM	BHP	RPM	BHP	RPM	BHP
1500	797	908	0.31																		
2100	1117	976	0.43	1122	0.62																
2700	1436	1073	0.61	1219	0.85	1331	1.08	1574	1.64												
3300	1755	1193	0.83	1314	1.11	1439	1.41	1629	1.97	1823	2.63										
3900	2074	1333	1.14	1430	1.44	1531	1.76	1738	2.46	1896	3.13	2054	3.86	2227	4.70						
4500	2393	1476	1.50	1568	1.87	1651	2.22	1832	2.99	2007	3.79	2145	4.55	2278	5.35	2572	7.23				
5100	2712	1620	1.94	1709	2.37	1788	2.77	1935	3.58	2101	4.48	2256	5.40	2382	6.26	2617	8.08	2878	10.20		
5700	3032	1769	2.48	1853	2.96	1929	3.42	2064	4.32	2198	5.24	2349	6.26	2490	7.29	2715	9.23	2925	11.30	3157	13.60
6300	3351	1921	3.12	1997	3.64	2071	4.16	2202	5.18	2320	6.16	2445	7.20	2581	8.33	2826	10.60	3022	12.70	3212	15.00
6900	3670	2075	3.88	2146	4.44	2216	5.02	2344	6.15	2456	7.24	2564	8.32	2678	9.47	2926	12.00	3134	14.40	3310	16.70
7500	3989	2231	4.77	2296	5.36	2362	5.99	2486	7.24	2596	8.44	2696	9.60	2796	10.80	3014	13.40	3238	16.10	3422	18.70
8100	4308	2390	5.80	2450	6.43	2511	7.09	2629	8.44	2738	9.78	2835	11.10	2927	12.30	3115	14.90	3328	17.80		
8700	4627	2548	6.97	2606	7.66	2662	8.35	2774	9.79	2880	11.20	2976	12.60	3066	14.00	3237	16.70	3420	19.70		
9300	4947	2709	8.32	2762	9.03	2816	9.77	2922	11.30	3023	12.90	3118	14.40	3207	15.90	3368	18.80				
9900	5266	2872	9.86	2922	10.60	2971	11.40	3071	13.00	3168	14.60	3260	16.30	3348	17.90						
10500	5585	3033	11.50	3080	12.30	3128	13.20	3221	14.80	3315	16.60	3404	18.30								
11100	5904	3193	13.40	3239	14.30	3285	15.10	3375	16.90	3462	18.70										
11700	6223	3359	15.60	3402	16.40	3445	17.30														

180 CF

CFM	OV	1.000 SP		1.500 SP		2.000 SP		3.000 SP		4.000 SP		5.000 SP		6.000 SP		8.000 SP		10.000 SP		12.000 SP	
		RPM	BHP	RPM	BHP	RPM	BHP	RPM	BHP	RPM	BHP	RPM	BHP	RPM	BHP	RPM	BHP	RPM	BHP	RPM	BHP
2100	1117	1015	0.48	1152	0.68																
2700	1436	1150	0.69	1270	0.93	1380	1.19														
3300	1755	1298	0.98	1406	1.26	1507	1.56	1689	2.18	1861	2.86										
3900	2074	1458	1.36	1554	1.68	1645	2.02	1814	2.72	1968	3.45	2114	4.24								
4500	2393	1626	1.85	1711	2.21	1794	2.59	1949	3.36	2094	4.18	2228	5.02	2357	5.91						
5100	2712	1799	2.45	1876	2.87	1951	3.29	2094	4.15	2229	5.03	2356	5.95	2476	6.90	2704	8.90	2925	11.10		
5700	3032	1974	3.18	2045	3.65	2114	4.12	2245	5.06	2371	6.03	2492	7.03	2606	8.05	2820	10.20	3023	12.40	3220	14.80
6300	3351	2152	4.06	2218	4.59	2281	5.10	2403	6.14	2520	7.19	2633	8.27	2742	9.37	2947	11.60	3138	14.00	3321	16.50
6900	3670	2333	5.12	2394	5.69	2452	6.25	2566	7.39	2675	8.52	2782	9.69	2884	10.90	3081	13.30	3264	15.80	3438	18.40
7500	3989	2515	6.34	2572	6.97	2626	7.58	2734	8.83	2836	10.10	2935	11.30	3032	12.60	3219	15.10	3396	17.80	3563	20.60
8100	4308	2699	7.77	2751	8.43	2803	9.11	2904	10.50	3000	11.80	3094	13.10	3185	14.50	3363	17.20	3533	20.00	3694	22.90
8700	4627	2882	9.39	2932	10.10	2982	10.90	3077	12.30	3168	13.70	3256	15.10	3343	16.60	3511	19.50	3674	22.50		
9300	4947	3069	11.30	3115	12.00	3161	12.80	3250	14.30	3338	15.90	3421	17.40	3504	18.90	3664	22.00				
9900	5266	3254	13.40	3299	14.20	3342	15.00	3427	16.60	3510	18.30	3590	19.90	3669	21.60						
10500	5585	3438	15.70	3481	16.60	3524	17.50	3606	19.20	3684	21.00										
11100	5904	3628	18.40	3668	19.30	3708	20.20														

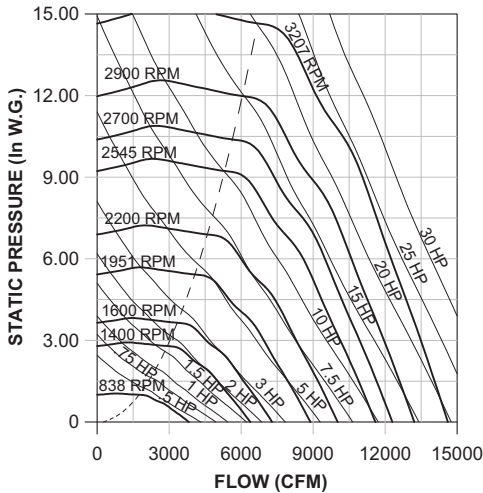
Performance certified is for installation type B: Free inlet, Ducted outlet. Power rating (BHP) does not include transmission losses. Performance ratings do not include the effects of appurtenances (accessories).

CA SWSI & CF Size 195 Data

195 CA SWSI

Wheel Diameter = 19.5"
 Wheel Type = Airfoil
 Tip Speed (FPM) = 5.11 x RPM
 Max. BHP = .77 (RPM/1000)³
 Inlet Area = 2.31 Sq. Ft.
 Outlet Area = 2.21 Sq. Ft.
 Outlet Velocity (FPM) = CFM/2.21

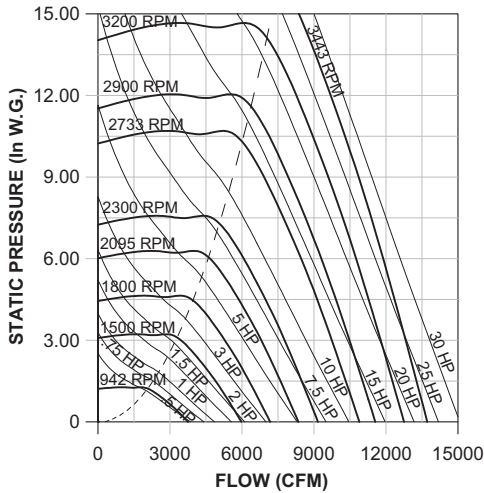
Class I Max. RPM - 1951
Class II Max. RPM - 2545
Class III Max. RPM - 3207



195 CF

Wheel Diameter = 19.5"
 Wheel Type = Flat Blade
 Tip Speed (FPM) = 5.11 x RPM
 Max. BHP = .64 (RPM/1000)³
 Inlet Area = 2.31 Sq. Ft.
 Outlet Area = 2.21 Sq. Ft.
 Outlet Velocity (FPM) = CFM/2.21

Class I Max. RPM - 2095
Class II Max. RPM - 2733
Class III Max. RPM - 3443



195 CA SWSI

CFM	OV	1.000 SP		1.500 SP		2.000 SP		3.000 SP		4.000 SP		5.000 SP		6.000 SP		8.000 SP		10.000 SP		12.000 SP		
		RPM	BHP	RPM	BHP	RPM	BHP	RPM	BHP	RPM	BHP	RPM	BHP	RPM	BHP	RPM	BHP	RPM	BHP	RPM	BHP	
1800	814	838	0.37																			
2500	1130	906	0.52	1038	0.74	1185	1.02															
3200	1447	995	0.72	1130	1.01	1233	1.28	1454	1.94													
3900	1764	1107	0.99	1216	1.31	1332	1.67	1508	2.34	1685	3.11											
4600	2080	1235	1.35	1324	1.70	1417	2.09	1608	2.91	1754	3.70	1898	4.55	2057	5.54							
5300	2397	1366	1.78	1451	2.20	1527	2.62	1694	3.52	1855	4.47	1983	5.37	2105	6.30	2375	8.51					
6000	2713	1498	2.29	1581	2.79	1653	3.27	1789	4.22	1942	5.28	2085	6.36	2201	7.37	2417	9.49	2658	12.00			
6700	3030	1635	2.92	1712	3.48	1783	4.03	1907	5.08	2031	6.16	2170	7.37	2300	8.57	2508	10.90	2702	13.30	2915	16.00	
7400	3347	1774	3.67	1845	4.28	1913	4.89	2034	6.08	2143	7.24	2258	8.46	2384	9.79	2610	12.40	2791	14.90	2966	17.60	
8100	3663	1916	4.56	1981	5.21	2046	5.89	2164	7.22	2267	8.49	2367	9.76	2472	11.10	2701	14.00	2893	16.90	3057	19.60	
8800	3980	2059	5.59	2119	6.28	2180	7.02	2294	8.48	2396	9.90	2489	11.30	2581	12.70	2783	15.70	2989	18.90	3159	21.90	
9500	4297	2205	6.80	2261	7.54	2317	8.31	2426	9.90	2526	11.50	2616	13.00	2701	14.40	2876	17.50	3072	20.90			
10200	4613	2350	8.16	2404	8.97	2455	9.76	2559	11.50	2657	13.20	2746	14.80	2828	16.40	2986	19.60	3157	23.10			
10900	4930	2498	9.73	2546	10.50	2596	11.40	2694	13.20	2788	15.00	2876	16.80	2957	18.60	3107	22.00					
11600	5246	2647	11.50	2693	12.40	2739	13.30	2831	15.20	2921	17.10	3006	19.00	3087	20.90							
12300	5563	2795	13.50	2839	14.40	2882	15.30	2968	17.30	3055	19.40	3138	21.40									
13000	5880	2941	15.60	2984	16.60	3027	17.70	3110	19.70	3190	21.80											
13700	6196	3094	18.10	3134	19.20	3174	20.20															

195 CF

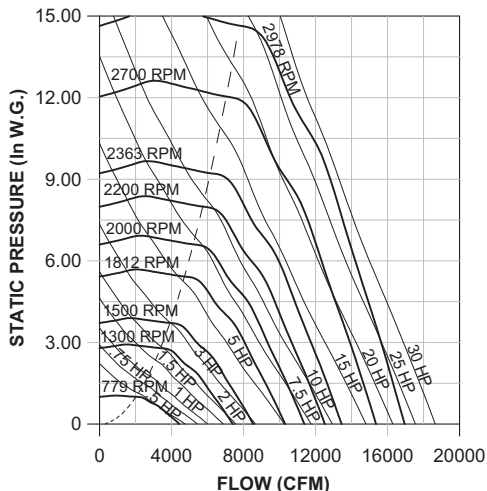
CFM	OV	1.000 SP		1.500 SP		2.000 SP		3.000 SP		4.000 SP		5.000 SP		6.000 SP		8.000 SP		10.000 SP		12.000 SP		
		RPM	BHP	RPM	BHP	RPM	BHP	RPM	BHP	RPM	BHP	RPM	BHP	RPM	BHP	RPM	BHP	RPM	BHP	RPM	BHP	
2500	1130	942	0.57	1068	0.81																	
3200	1447	1067	0.82	1178	1.11	1279	1.41															
3900	1764	1204	1.16	1303	1.50	1395	1.84	1563	2.58	1721	3.38											
4600	2080	1351	1.61	1439	2.00	1523	2.39	1678	3.21	1820	4.08	1955	5.00	2088	5.99							
5300	2397	1505	2.18	1584	2.62	1659	3.06	1803	3.97	1936	4.93	2060	5.92	2179	6.97							
6000	2713	1663	2.89	1734	3.38	1803	3.87	1935	4.88	2060	5.93	2177	7.01	2288	8.12	2498	10.50	2702	13.00			
6700	3030	1824	3.75	1890	4.30	1953	4.85	2074	5.96	2191	7.10	2302	8.27	2407	9.47	2605	12.00	2792	14.60	2974	17.40	
7400	3347	1988	4.78	2049	5.40	2107	6.00	2219	7.21	2327	8.45	2432	9.72	2533	11.00	2721	13.70	2898	16.50	3067	19.40	
8100	3663	2154	6.01	2210	6.68	2264	7.34	2369	8.67	2470	10.00	2568	11.40	2663	12.80	2844	15.60	3013	18.60	3174	21.60	
8800	3980	2321	7.44	2374	8.18	2424	8.89	2523	10.40	2617	11.80	2709	13.30	2799	14.70	2971	17.80	3134	20.90	3288	24.10	
9500	4297	2489	9.10	2538	9.88	2586	10.70	2679	12.20	2768	13.80	2854	15.40	2938	16.90	3103	20.20	3260	23.50	3409	26.90	
10200	4613	2658	11.00	2704	11.80	2750	12.70	2837	14.40	2922	16.10	3003	17.70	3083	19.40	3239	22.80	3389	26.30			
10900	4930	2829	13.20	2872	14.10	2914	15.00	2997	16.80	3078	18.60	3155	20.40	3232	22.20	3379	25.80					
11600	5246	2999	15.60	3040	16.60	3081	17.60	3159	19.50	3235	21.40	3310	23.30	3382	25.20							
12300	5563	3168	18.30	3208	19.40	3247	20.40	3323	22.50	3395	24.50											
13000	5880	3342	21.40	3379	22.50	3416	23.60															

Performance certified is for installation type B: Free inlet, Ducted outlet. Power rating (BHP) does not include transmission losses. Performance ratings do not include the effects of appurtenances (accessories).

210 CA SWSI

Wheel Diameter = 21"
 Wheel Type = Airfoil
 Tip Speed (FPM) = 5.50 x RPM
 Max. BHP = 1.12 (RPM/1000)³
 Inlet Area = 2.69 Sq. Ft.
 Outlet Area = 2.57 Sq. Ft.
 Outlet Velocity (FPM) = CFM/2.57

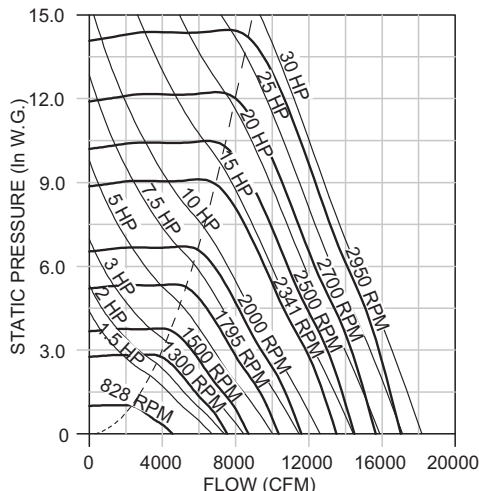
Class I Max. RPM - 1812
Class II Max. RPM - 2363
Class III Max. RPM - 2978



210 CF

Wheel Diameter = 21"
 Wheel Type = Flat Blade
 Tip Speed (FPM) = 5.50 x RPM
 Max. BHP = 1.11 (RPM/1000)³
 Inlet Area = 2.69 Sq. Ft.
 Outlet Area = 2.57 Sq. Ft.
 Outlet Velocity (FPM) = CFM/2.57

Class I Max. RPM - 1795
Class II Max. RPM - 2341
Class III Max. RPM - 2950



210 CA SWSI

CFM	OV	1.000 SP		1.500 SP		2.000 SP		3.000 SP		4.000 SP		5.000 SP		6.000 SP		8.000 SP		10.000 SP		12.000 SP	
		RPM	BHP	RPM	BHP	RPM	BHP	RPM	BHP	RPM	BHP	RPM	BHP	RPM	BHP	RPM	BHP	RPM	BHP	RPM	BHP
2100	818	779	0.43																		
2900	1130	841	0.60	964	0.86	1101	1.19														
3700	1442	923	0.83	1048	1.16	1144	1.48	1350	2.24												
4500	1754	1024	1.14	1127	1.51	1235	1.92	1398	2.70	1564	3.59										
5300	2065	1142	1.54	1225	1.96	1312	2.40	1489	3.34	1625	4.25	1761	5.25	1910	6.39						
6100	2377	1261	2.03	1340	2.52	1412	3.00	1568	4.04	1718	5.13	1837	6.17	1951	7.25	2205	9.81				
6900	2689	1383	2.62	1459	3.18	1527	3.73	1654	4.83	1798	6.05	1929	7.28	2037	8.45	2241	10.90	2467	13.80		
7700	3001	1507	3.32	1579	3.96	1645	4.59	1761	5.80	1878	7.05	2009	8.44	2129	9.82	2321	12.40	2504	15.20	2706	18.50
8500	3313	1634	4.16	1701	4.86	1765	5.57	1877	6.93	1979	8.26	2087	9.66	2206	11.20	2415	14.20	2583	17.10	2748	20.20
9300	3625	1763	5.15	1825	5.91	1886	6.69	1996	8.22	2092	9.67	2186	11.10	2285	12.70	2500	16.10	2676	19.30	2828	22.40
10100	3936	1895	6.32	1951	7.11	2008	7.95	2115	9.64	2209	11.20	2296	12.80	2382	14.40	2574	17.90	2765	21.60	2921	25.00
10900	4248	2028	7.67	2081	8.52	2133	9.40	2235	11.20	2329	13.00	2413	14.70	2492	16.40	2657	20.00	2842	23.90		
11700	4560	2161	9.20	2211	10.10	2259	11.00	2357	13.00	2448	14.90	2531	16.80	2607	18.60	2756	22.30	2918	26.30		
12500	4872	2295	10.90	2342	11.90	2389	12.90	2480	15.00	2568	17.00	2650	19.10	2725	21.10	2866	25.00				
13300	5184	2432	12.90	2475	13.90	2518	15.00	2605	17.10	2689	19.40	2769	21.60	2844	23.70						
14100	5496	2567	15.10	2609	16.20	2650	17.30	2731	19.60	2812	21.90	2890	24.30	2964	26.60						
14900	5807	2702	17.60	2741	18.70	2781	19.80	2859	22.20	2936	24.70										
15700	6119	2840	20.30	2878	21.50	2915	22.70														

210 CF

CFM	OV	1.000 SP		1.500 SP		2.000 SP		3.000 SP		4.000 SP		5.000 SP		6.000 SP		8.000 SP		10.000 SP		12.000 SP		
		RPM	BHP	RPM	BHP	RPM	BHP	RPM	BHP	RPM	BHP	RPM	BHP	RPM	BHP	RPM	BHP	RPM	BHP	RPM	BHP	
2900	1130	828	0.63	958	0.94																	
3700	1442	923	0.88	1030	1.21	1132	1.58															
4500	1754	1030	1.21	1127	1.60	1216	2.00	1384	2.89													
5300	2065	1138	1.63	1233	2.09	1315	2.54	1465	3.49	1607	4.54	1749	5.70									
6100	2377	1244	2.13	1341	2.67	1421	3.19	1560	4.24	1689	5.35	1813	6.55	1936	7.84							
6900	2689	1355	2.74	1448	3.36	1530	3.97	1664	5.14	1784	6.34	1898	7.60	2008	8.93	2225	11.80					
7700	3001	1471	3.47	1554	4.15	1637	4.86	1771	6.17	1886	7.49	1993	8.84	2095	10.20	2292	13.20	2487	16.50			
8500	3313	1594	4.36	1666	5.09	1743	5.86	1880	7.37	1992	8.80	2094	10.20	2191	11.70	2375	14.90	2552	18.20	2729	21.90	
9300	3625	1721	5.42	1783	6.19	1851	7.01	1987	8.69	2101	10.30	2200	11.90	2293	13.50	2467	16.70	2633	20.20	2795	23.90	
10100	3936	1850	6.67	1905	7.47	1964	8.32	2093	10.20	2209	11.90	2308	13.70	2398	15.40	2565	18.80	2723	22.50	2875	26.30	
10900	4248	1980	8.10	2030	8.95	2082	9.83	2200	11.80	2316	13.80	2417	15.70	2506	17.50	2668	21.20	2819	25.00			
11700	4560	2112	9.76	2157	10.60	2205	11.60	2310	13.60	2422	15.70	2525	17.80	2615	19.80	2775	23.80	2920	27.80			
12500	4872	2245	11.60	2287	12.60	2331	13.60	2424	15.60	2528	17.90	2631	20.20	2724	22.40	2883	26.60					
13300	5184	2377	13.70	2417	14.70	2457	15.80	2543	17.90	2638	20.30	2737	22.70	2830	25.10							
14100	5496	2510	16.10	2548	17.20	2587	18.30	2666	20.50	2752	22.90	2844	25.50	2936	28.00							
14900	5807	2647	18.80	2682	19.90	2717	21.00	2789	23.30	2869	25.80											
15700	6119	2783	21.80	2814	22.90	2846	24.00	2917	26.50													
16500	6431	2918	25.10	2946	26.10																	

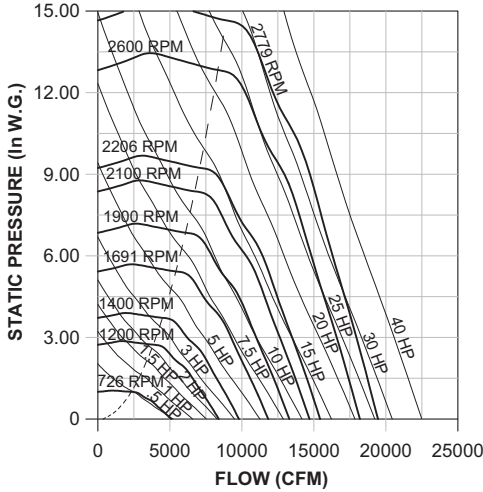
Performance certified is for installation type B: Free inlet, Ducted outlet. Power rating (BHP) does not include transmission losses. Performance ratings do not include the effects of appurtenances (accessories).

CA SWSI & CF Size 225 Data

225 CA SWSI

Wheel Diameter = 22.5"
 Wheel Type = Airfoil
 Tip Speed (FPM) = 5.89 x RPM
 Max. BHP = 1.58 (RPM/1000)³
 Inlet Area = 3.02 Sq. Ft.
 Outlet Area = 2.94 Sq. Ft.
 Outlet Velocity (FPM) = CFM/2.94

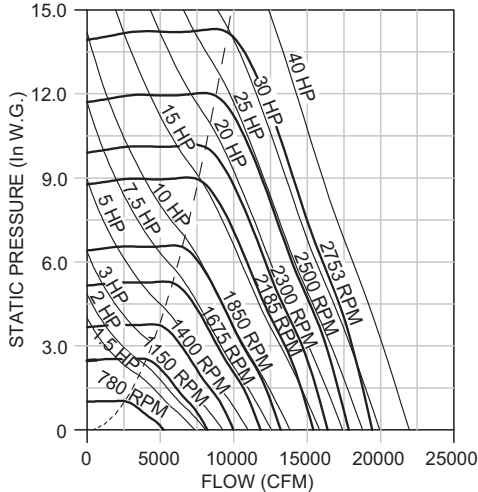
Class I Max. RPM - 1691
Class II Max. RPM - 2206
Class III Max. RPM - 2779



225 CF

Wheel Diameter = 22.5"
 Wheel Type = Flat Blade
 Tip Speed (FPM) = 5.89 x RPM
 Max. BHP = 1.57 (RPM/1000)³
 Inlet Area = 3.02 Sq. Ft.
 Outlet Area = 2.94 Sq. Ft.
 Outlet Velocity (FPM) = CFM/2.94

Class I Max. RPM - 1675
Class II Max. RPM - 2185
Class III Max. RPM - 2753



225 CA SWSI

CFM	OV	1.000 SP		1.500 SP		2.000 SP		3.000 SP		4.000 SP		5.000 SP		6.000 SP		8.000 SP		10.000 SP		12.000 SP		
		RPM	BHP	RPM	BHP	RPM	BHP	RPM	BHP	RPM	BHP	RPM	BHP	RPM	BHP	RPM	BHP	RPM	BHP	RPM	BHP	
2400	816	726	0.49																			
3400	1156	792	0.71	903	1.01	1027	1.38															
4400	1497	874	1.00	992	1.40	1081	1.77	1262	2.64													
5400	1837	983	1.42	1072	1.85	1171	2.34	1325	3.27	1467	4.27	1625	5.47									
6400	2177	1104	1.95	1179	2.45	1253	2.97	1417	4.12	1545	5.20	1662	6.34	1789	7.63							
7400	2517	1226	2.61	1299	3.21	1363	3.79	1495	5.01	1637	6.35	1751	7.61	1852	8.88	2066	11.80					
8400	2857	1351	3.41	1420	4.11	1482	4.78	1594	6.10	1714	7.52	1841	9.06	1946	10.50	2126	13.40	2314	16.70	2517	20.40	
9400	3198	1478	4.38	1543	5.16	1603	5.94	1709	7.43	1808	8.91	1917	10.50	2032	12.30	2219	15.50	2378	18.70	2543	22.30	
10400	3538	1609	5.55	1668	6.40	1725	7.27	1829	8.98	1920	10.60	2010	12.20	2109	14.00	2310	17.80	2470	21.30	2614	24.90	
11400	3878	1743	6.96	1796	7.87	1849	8.80	1950	10.70	2038	12.50	2120	14.30	2202	16.10	2387	20.10	2563	24.20	2707	28.10	
12400	4218	1877	8.60	1927	9.58	1976	10.60	2072	12.70	2159	14.70	2238	16.60	2313	18.60	2469	22.60	2643	27.10			
13400	4559	2013	10.50	2059	11.50	2104	12.60	2195	14.80	2280	17.10	2358	19.20	2429	21.30	2568	25.50	2720	30.10			
14400	4899	2149	12.70	2192	13.80	2236	15.00	2321	17.30	2403	19.70	2479	22.10	2549	24.40	2680	28.90					
15400	5239	2288	15.20	2328	16.40	2368	17.60	2448	20.10	2526	22.60	2600	25.20	2670	27.70							
16400	5579	2425	18.00	2464	19.30	2501	20.50	2576	23.10	2651	25.90	2723	28.60									
17400	5919	2562	21.10	2599	22.50	2636	23.80	2707	26.60	2777	29.40											
18400	6260	2704	24.80	2738	26.10	2772	27.50															

225 CF

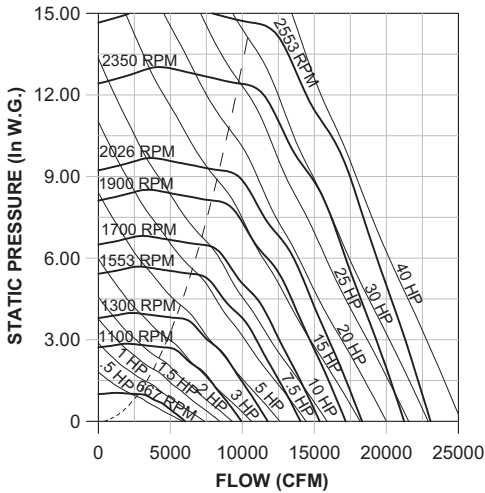
CFM	OV	1.000 SP		1.500 SP		2.000 SP		3.000 SP		4.000 SP		5.000 SP		6.000 SP		8.000 SP		10.000 SP		12.000 SP		
		RPM	BHP	RPM	BHP	RPM	BHP	RPM	BHP	RPM	BHP	RPM	BHP	RPM	BHP	RPM	BHP	RPM	BHP	RPM	BHP	
3400	1156	780	0.74	898	1.09																	
4400	1497	878	1.07	976	1.46	1069	1.89															
5400	1837	987	1.51	1077	1.97	1157	2.44	1310	3.48	1459	4.65											
6400	2177	1096	2.06	1186	2.61	1261	3.15	1397	4.29	1525	5.51	1650	6.84									
7400	2517	1205	2.73	1296	3.40	1370	4.03	1498	5.29	1614	6.61	1725	8.01	1834	9.51							
8400	2857	1321	3.56	1403	4.32	1480	5.07	1605	6.49	1714	7.93	1817	9.44	1916	11.00	2108	14.40					
9400	3198	1443	4.59	1513	5.39	1588	6.26	1715	7.90	1821	9.49	1917	11.10	2009	12.80	2186	16.30	2357	20.10	2529	24.30	
10400	3538	1571	5.84	1631	6.70	1697	7.62	1825	9.50	1931	11.30	2024	13.00	2111	14.80	2276	18.50	2435	22.50	2589	26.70	
11400	3878	1701	7.33	1754	8.25	1811	9.22	1933	11.30	2041	13.30	2133	15.20	2217	17.10	2375	21.10	2524	25.30	2668	29.60	
12400	4218	1833	9.08	1880	10.00	1930	11.10	2041	13.30	2150	15.50	2244	17.70	2327	19.80	2479	24.00	2621	28.40			
13400	4559	1967	11.10	2009	12.10	2055	13.20	2153	15.50	2257	18.00	2354	20.40	2438	22.70	2587	27.20	2722	31.80			
14400	4899	2102	13.50	2142	14.60	2182	15.70	2269	18.10	2365	20.70	2461	23.30	2548	25.90	2696	30.70					
15400	5239	2236	16.10	2273	17.30	2311	18.50	2390	21.00	2477	23.70	2569	26.50	2656	29.30							
16400	5579	2372	19.20	2407	20.40	2443	21.70	2515	24.30	2593	27.00	2679	30.00									
17400	5919	2511	22.60	2543	23.90	2575	25.20	2642	27.90	2714	30.80											
18400	6260	2649	26.50	2677	27.70	2707	29.10															

Performance certified is for installation type B: Free inlet, Ducted outlet. Power rating (BHP) does not include transmission losses. Performance ratings do not include the effects of appurtenances (accessories).

245 CA SWSI

Wheel Diameter = 24.5"
 Wheel Type = Airfoil
 Tip Speed (FPM) = 6.41 x RPM
 Max. BHP = 2.23 (RPM/1000)³
 Inlet Area = 3.64 Sq. Ft.
 Outlet Area = 3.49 Sq. Ft.
 Outlet Velocity (FPM) = CFM/3.49

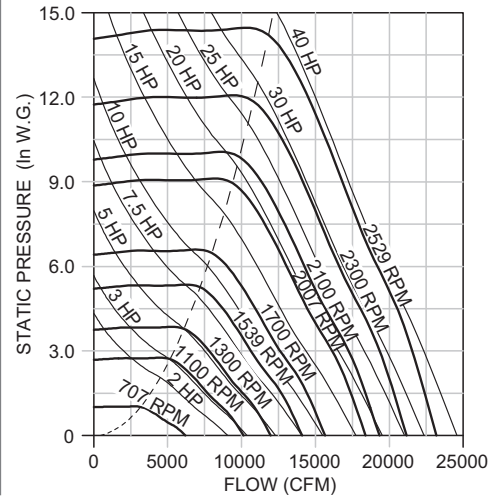
Class I Max. RPM - 1553
Class II Max. RPM - 2026
Class III Max. RPM - 2553



245 CF

Wheel Diameter = 24.5"
 Wheel Type = Flat Blade
 Tip Speed (FPM) = 6.41 x RPM
 Max. BHP = 2.40 (RPM/1000)³
 Inlet Area = 3.64 Sq. Ft.
 Outlet Area = 3.49 Sq. Ft.
 Outlet Velocity (FPM) = CFM/3.49

Class I Max. RPM - 1539
Class II Max. RPM - 2007
Class III Max. RPM - 2529



245 CA SWSI

CFM	OV	1.000 SP		1.500 SP		2.000 SP		3.000 SP		4.000 SP		5.000 SP		6.000 SP		8.000 SP		10.000 SP		12.000 SP	
		RPM	BHP	RPM	BHP	RPM	BHP	RPM	BHP	RPM	BHP	RPM	BHP	RPM	BHP	RPM	BHP	RPM	BHP	RPM	BHP
2800	802	667	0.57																		
3900	1117	718	0.80	825	1.16																
5000	1432	789	1.12	895	1.57	978	2.00	1156	3.03												
6100	1747	876	1.54	964	2.05	1056	2.60	1196	3.65	1339	4.86										
7200	2062	977	2.09	1049	2.66	1123	3.25	1275	4.54	1391	5.76	1508	7.12	1636	8.68						
8300	2377	1081	2.76	1148	3.42	1210	4.08	1344	5.50	1472	6.98	1574	8.39	1672	9.88	1889	13.40				
9400	2692	1186	3.57	1251	4.34	1309	5.09	1418	6.58	1541	8.25	1654	9.93	1746	11.50	1920	14.90	2114	18.90		
10500	3007	1294	4.54	1355	5.41	1412	6.28	1511	7.92	1611	9.63	1722	11.50	1826	13.40	1990	17.00	2147	20.80	2318	25.10
11600	3322	1404	5.70	1461	6.66	1515	7.62	1611	9.48	1698	11.30	1791	13.20	1892	15.30	2071	19.40	2215	23.30	2356	27.50
12700	3637	1516	7.08	1568	8.10	1620	9.17	1714	11.30	1797	13.20	1876	15.20	1961	17.30	2144	22.00	2296	26.40	2426	30.70
13800	3952	1629	8.68	1678	9.78	1726	10.90	1818	13.20	1898	15.40	1972	17.60	2046	19.80	2209	24.50	2373	29.60	2507	34.30
14900	4267	1745	10.60	1790	11.70	1835	12.90	1922	15.40	2002	17.90	2073	20.20	2141	22.50	2282	27.40	2439	32.70		
16000	4582	1860	12.70	1903	13.90	1944	15.20	2027	17.90	2105	20.50	2176	23.10	2241	25.60	2368	30.60	2506	36.10		
17100	4898	1977	15.10	2016	16.40	2056	17.80	2134	20.60	2209	23.50	2279	26.30	2344	29.00	2463	34.30				
18200	5213	2095	17.90	2132	19.30	2169	20.70	2242	23.60	2314	26.70	2382	29.70	2447	32.70						
19300	5528	2212	20.90	2247	22.40	2282	23.90	2351	27.00	2420	30.20	2487	33.40	2550	36.60						
20400	5843	2328	24.30	2362	25.80	2396	27.40	2463	30.70	2528	34.00										
21500	6158	2448	28.10	2481	29.80	2513	31.50														

245 CF

CFM	OV	1.000 SP		1.500 SP		2.000 SP		3.000 SP		4.000 SP		5.000 SP		6.000 SP		8.000 SP		10.000 SP		12.000 SP	
		RPM	BHP	RPM	BHP	RPM	BHP	RPM	BHP	RPM	BHP	RPM	BHP	RPM	BHP	RPM	BHP	RPM	BHP	RPM	BHP
3900	1117	707	0.84	820	1.26																
5000	1432	789	1.18	881	1.64	969	2.14														
6100	1747	881	1.64	964	2.16	1040	2.70	1185	3.91												
7200	2062	975	2.22	1056	2.83	1126	3.44	1255	4.74	1378	6.18	1499	7.73								
8300	2377	1066	2.90	1150	3.64	1218	4.34	1337	5.76	1448	7.28	1555	8.92	1660	10.70						
9400	2692	1162	3.73	1242	4.58	1312	5.41	1427	6.99	1530	8.63	1628	10.40	1722	12.20	1909	16.10				
10500	3007	1263	4.74	1334	5.67	1405	6.63	1520	8.43	1618	10.20	1710	12.10	1798	14.00	1967	18.10	2133	22.50		
11600	3322	1369	5.96	1431	6.96	1497	8.02	1614	10.10	1711	12.00	1798	14.00	1880	16.00	2038	20.30	2191	24.90	2341	29.80
12700	3637	1480	7.44	1532	8.47	1590	9.59	1707	11.90	1805	14.10	1890	16.20	1969	18.40	2118	22.90	2261	27.70	2399	32.70
13800	3952	1592	9.17	1638	10.20	1688	11.40	1799	13.90	1899	16.40	1983	18.70	2061	21.10	2204	25.80	2339	30.80	2469	36.00
14900	4267	1704	11.10	1747	12.30	1791	13.50	1891	16.20	1991	18.90	2078	21.50	2154	24.00	2293	29.00	2422	34.20		
16000	4582	1818	13.40	1856	14.60	1898	15.90	1987	18.70	2082	21.60	2171	24.50	2248	27.20	2385	32.60	2510	38.10		
17100	4898	1934	16.10	1970	17.40	2007	18.70	2086	21.50	2175	24.60	2263	27.70	2342	30.70	2479	36.60				
18200	5213	2048	19.00	2082	20.30	2116	21.70	2189	24.70	2270	27.90	2354	31.20	2435	34.50						
19300	5528	2163	22.20	2196	23.70	2228	25.20	2296	28.30	2368	31.50	2447	35.00	2526	38.50						
20400	5843	2281	26.00	2311	27.50	2341	29.00	2403	32.20	2471	35.60										
21500	6158	2399	30.10	2426	31.60	2453	33.20	2513	36.60												

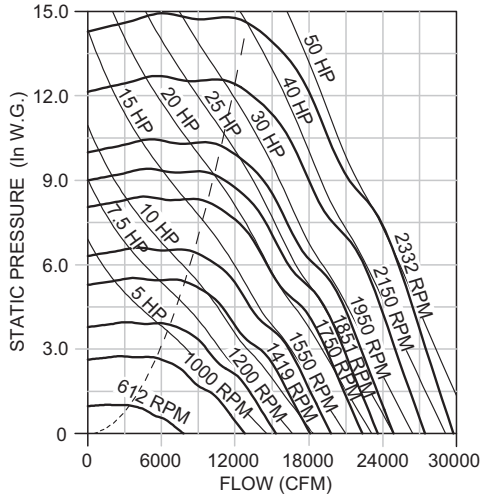
Performance certified is for installation type B: Free inlet, Ducted outlet. Power rating (BHP) does not include transmission losses. Performance ratings do not include the effects of appurtenances (accessories).

CA SWSI & CF Size 270 Data

270 CA SWSI

Wheel Diameter = 27"
 Wheel Type = Airfoil
 Tip Speed (FPM) = 7.07 x RPM
 Max. BHP = 3.96 (RPM/1000)³
 Inlet Area = 4.35 Sq. Ft.
 Outlet Area = 4.23 Sq. Ft.
 Outlet Velocity (FPM) = CFM/4.23

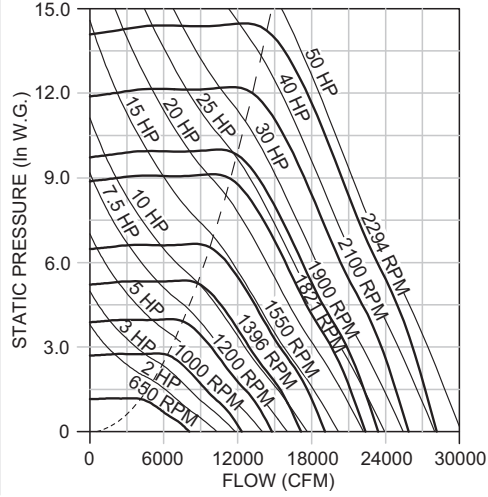
Class I Max. RPM - 1419
Class II Max. RPM - 1851
Class III Max. RPM - 2332



270 CF

Wheel Diameter = 27"
 Wheel Type = Flat Blade
 Tip Speed (FPM) = 7.07 x RPM
 Max. BHP = 3.90 (RPM/1000)³
 Inlet Area = 4.35 Sq. Ft.
 Outlet Area = 4.23 Sq. Ft.
 Outlet Velocity (FPM) = CFM/4.23

Class I Max. RPM - 1396
Class II Max. RPM - 1821
Class III Max. RPM - 2294



270 CA SWSI

CFM	OV	1.000 SP		1.500 SP		2.000 SP		3.000 SP		4.000 SP		5.000 SP		6.000 SP		8.000 SP		10.000 SP		12.000 SP	
		RPM	BHP	RPM	BHP	RPM	BHP	RPM	BHP	RPM	BHP	RPM	BHP	RPM	BHP	RPM	BHP	RPM	BHP	RPM	BHP
3500	826	612	.74																		
4900	1157	656	1.03	764	1.51	864	2.06														
6300	1487	734	1.47	818	2.01	902	2.60	1065	3.95												
7700	1818	802	2.00	899	2.70	968	3.35	1104	4.76	1240	6.38	1365	8.11								
9100	2149	873	2.65	969	3.49	1050	4.31	1167	5.86	1283	7.54	1399	9.37	1510	11.30						
10500	2479	963	3.50	1032	4.37	1119	5.38	1248	7.22	1347	9.01	1447	10.90	1549	13.00	1743	17.40				
11900	2810	1060	4.57	1116	5.50	1180	6.52	1327	8.78	1427	10.80	1515	12.80	1602	15.00	1782	19.60	1953	24.70	2115	30.10
13300	3141	1159	5.87	1210	6.90	1261	7.95	1388	10.40	1508	12.80	1596	15.10	1674	17.30	1831	22.10	1992	27.40	2146	33.00
14700	3471	1260	7.43	1307	8.56	1352	9.69	1451	12.10	1576	15.00	1677	17.60	1756	20.10	1897	25.10	2040	30.50	2186	36.30
16100	3802	1362	9.27	1407	10.50	1448	11.70	1533	14.30	1634	17.20	1747	20.30	1837	23.10	1976	28.60	2103	34.10	2235	40.10
17500	4133	1465	11.40	1506	12.70	1546	14.10	1623	16.80	1705	19.70	1805	23.00	1908	26.30	2059	32.40	2180	38.30	2297	44.40
18900	4463	1569	13.90	1608	15.30	1646	16.80	1717	19.70	1789	22.70	1870	26.00	1966	29.50	2138	36.50	2262	42.90		
20300	4794	1673	16.70	1711	18.30	1746	19.80	1814	23.00	1880	26.10	1949	29.40	2028	33.00	2207	40.80				
21700	5124	1778	20.00	1813	21.60	1848	23.30	1912	26.60	1975	30.00	2036	33.40	2104	37.00	2265	45.10				
23100	5455	1885	23.70	1918	25.40	1951	27.20	2013	30.70	2071	34.30	2128	37.80	2189	41.60	2325	49.60				
24500	5786	1991	27.80	2023	29.60	2053	31.40	2112	35.20	2169	39.00	2224	42.80	2279	46.60						
25900	6116	2095	32.20	2126	34.20	2157	36.20	2214	40.20	2269	44.20	2320	48.10								
27300	6447	2203	37.40	2233	39.50	2262	41.60	2315	45.60												

270 CF

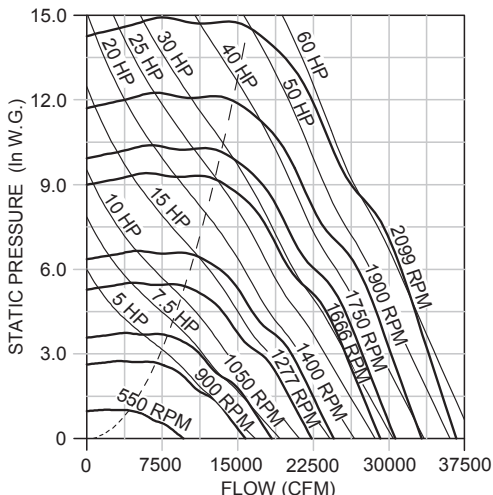
CFM	OV	1.000 SP		1.500 SP		2.000 SP		3.000 SP		4.000 SP		5.000 SP		6.000 SP		8.000 SP		10.000 SP		12.000 SP	
		RPM	BHP	RPM	BHP	RPM	BHP	RPM	BHP	RPM	BHP	RPM	BHP	RPM	BHP	RPM	BHP	RPM	BHP	RPM	BHP
4900	1157	650	1.07	748	1.57																
6300	1487	730	1.52	812	2.09	889	2.70														
7700	1818	818	2.13	893	2.79	960	3.46	1088	4.96												
9100	2149	907	2.90	981	3.68	1043	4.44	1158	6.07	1266	7.83	1371	9.74								
10500	2479	994	3.81	1070	4.76	1132	5.66	1238	7.43	1336	9.32	1430	11.30	1522	13.50						
11900	2810	1087	4.95	1157	6.02	1221	7.08	1325	9.09	1417	11.10	1503	13.30	1587	15.50	1749	20.40				
13300	3141	1186	6.35	1246	7.50	1309	8.72	1415	11.00	1503	13.30	1584	15.60	1661	17.90	1810	23.00	1955	28.50		
14700	3471	1289	8.05	1340	9.26	1396	10.60	1504	13.20	1591	15.70	1669	18.20	1743	20.70	1882	26.00	2016	31.70	2147	37.80
16100	3802	1393	10.00	1438	11.30	1488	12.70	1591	15.70	1681	18.50	1758	21.20	1829	23.90	1961	29.50	2086	35.40	2208	41.70
17500	4133	1501	12.40	1540	13.80	1584	15.20	1679	18.40	1769	21.50	1847	24.50	1917	27.50	2044	33.50	2163	39.60	2278	46.10
18900	4463	1608	15.10	1645	16.60	1684	18.20	1768	21.40	1857	24.90	1936	28.20	2006	31.40	2131	37.90	2245	44.30		
20300	4794	1718	18.40	1751	19.90	1786	21.50	1861	24.90	1944	28.50	2024	32.20	2096	35.80	2219	42.70				
21700	5124	1827	21.90	1858	23.50	1890	25.20	1959	28.80	2034	32.60	2111	36.60	2184	40.50						
23100	5455	1935	25.90	1966	27.70	1996	29.50	2059	33.20	2127	37.20	2199	41.30	2271	45.50						
24500	5786	2048	30.60	2076	32.40	2103	34.20	2159	38.00	2223	42.20										
25900	6116	2160	35.80	2185	37.60	2210	39.40	2265	43.60												

Performance certified is for installation type B: Free inlet, Ducted outlet. Power rating (BHP) does not include transmission losses. Performance ratings do not include the effects of appurtenances (accessories).

300 CA SWSI

Wheel Diameter = 30"
 Wheel Type = Airfoil
 Tip Speed (FPM) = 7.85 x RPM
 Max. BHP = 6.71 (RPM/1000)³
 Inlet Area = 5.36 Sq. Ft.
 Outlet Area = 5.23 Sq. Ft.
 Outlet Velocity (FPM) = CFM/5.23

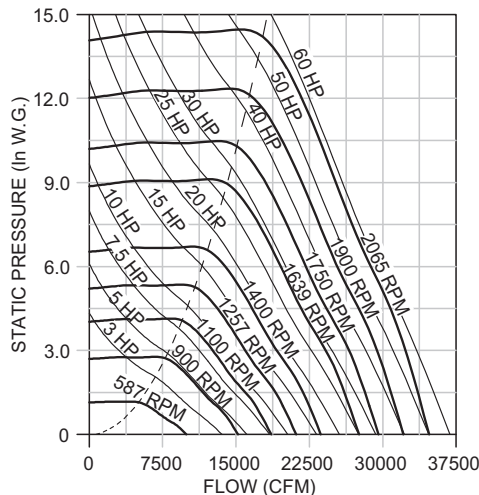
Class I Max. RPM - 1277
Class II Max. RPM - 1666
Class III Max. RPM - 2099



300 CF

Wheel Diameter = 30"
 Wheel Type = Flat Blade
 Tip Speed (FPM) = 7.85 x RPM
 Max. BHP = 6.60 (RPM/1000)³
 Inlet Area = 5.36 Sq. Ft.
 Outlet Area = 5.23 Sq. Ft.
 Outlet Velocity (FPM) = CFM/5.23

Class I Max. RPM - 1257
Class II Max. RPM - 1639
Class III Max. RPM - 2065



300 CA SWSI

CFM	OV	1.000 SP		1.500 SP		2.000 SP		3.000 SP		4.000 SP		5.000 SP		6.000 SP		8.000 SP		10.000 SP		12.000 SP	
		RPM	BHP	RPM	BHP	RPM	BHP	RPM	BHP	RPM	BHP	RPM	BHP	RPM	BHP	RPM	BHP	RPM	BHP	RPM	BHP
4300	822	550	.90																		
6100	1167	592	1.28	689	1.89	778	2.56														
7900	1511	666	1.86	741	2.54	815	3.27	960	4.93												
9700	1855	728	2.55	817	3.44	879	4.26	999	6.02	1120	8.02	1232	10.20								
11500	2200	798	3.41	880	4.46	956	5.52	1061	7.47	1162	9.56	1265	11.80	1364	14.30						
13300	2544	884	4.56	943	5.65	1017	6.90	1138	9.27	1226	11.50	1313	13.90	1402	16.50	1575	22.00	1736	28.10		
15100	2889	975	6.00	1024	7.16	1078	8.43	1208	11.30	1303	13.90	1380	16.50	1456	19.10	1613	24.90	1766	31.20	1909	38.00
16900	3233	1068	7.74	1113	9.05	1157	10.40	1263	13.40	1376	16.60	1457	19.50	1527	22.30	1663	28.30	1804	34.90	1941	41.80
18700	3577	1163	9.85	1204	11.30	1245	12.80	1329	15.80	1435	19.30	1531	22.80	1604	26.00	1729	32.30	1853	39.10	1980	46.30
20500	3922	1259	12.30	1298	13.90	1335	15.50	1408	18.70	1492	22.30	1592	26.20	1678	30.00	1805	36.90	1917	44.00	2030	51.40
22300	4266	1356	15.30	1393	17.00	1427	18.70	1494	22.10	1564	25.80	1647	29.80	1739	34.10	1882	42.00	1991	49.50	2094	57.30
24100	4611	1454	18.70	1488	20.50	1521	22.30	1583	26.00	1646	29.80	1714	33.90	1793	38.30	1954	47.50	2069	55.70		
25900	4955	1551	22.50	1585	24.50	1616	26.50	1676	30.50	1733	34.50	1792	38.60	1856	43.00	2013	53.00				
27700	5299	1651	27.00	1682	29.10	1711	31.20	1769	35.50	1822	39.70	1877	44.10	1933	48.60	2066	58.60				
29500	5644	1750	32.00	1780	34.30	1808	36.50	1862	41.00	1914	45.50	1964	50.10	2015	54.70						
31300	5988	1849	37.60	1877	39.90	1904	42.30	1957	47.20	2006	51.90	2053	56.70								
33100	6332	1949	43.80	1976	46.40	2003	49.00	2052	53.90												
34900	6677	2051	51.00	2076	53.60																

300 CF

CFM	OV	1.000 SP		1.500 SP		2.000 SP		3.000 SP		4.000 SP		5.000 SP		6.000 SP		8.000 SP		10.000 SP		12.000 SP	
		RPM	BHP	RPM	BHP	RPM	BHP	RPM	BHP	RPM	BHP	RPM	BHP	RPM	BHP	RPM	BHP	RPM	BHP	RPM	BHP
6100	1167	587	1.33	675	1.96																
7900	1511	662	1.92	735	2.63	804	3.40														
9700	1855	745	2.73	812	3.55	872	4.40	985	6.25	1096	8.34										
11500	2200	828	3.74	895	4.73	951	5.70	1053	7.74	1148	9.92	1241	12.30								
13300	2544	911	4.97	978	6.16	1034	7.30	1130	9.57	1216	11.90	1299	14.40	1380	17.10						
15100	2889	999	6.49	1060	7.84	1118	9.20	1211	11.80	1293	14.30	1369	17.00	1443	19.80	1586	25.90				
16900	3233	1093	8.39	1144	9.82	1200	11.40	1295	14.30	1374	17.20	1446	20.10	1515	23.10	1646	29.40	1773	36.20	1900	43.50
18700	3577	1190	10.70	1234	12.20	1283	13.90	1379	17.30	1458	20.50	1527	23.60	1593	26.80	1716	33.50	1833	40.50	1948	48.00
20500	3922	1289	13.40	1328	15.10	1369	16.80	1460	20.50	1542	24.20	1611	27.60	1674	31.10	1791	38.10	1902	45.60	2009	53.40
22300	4266	1389	16.60	1424	18.40	1461	20.20	1543	24.20	1624	28.20	1695	32.10	1757	35.80	1870	43.40	1976	51.20		
24100	4611	1491	20.40	1522	22.20	1556	24.20	1628	28.30	1705	32.60	1778	37.00	1841	41.10	1953	49.30	2054	57.50		
25900	4955	1594	24.80	1623	26.70	1653	28.70	1717	33.00	1788	37.60	1860	42.40	1925	47.00	2036	55.80				
27700	5299	1695	29.60	1723	31.70	1750	33.80	1809	38.30	1874	43.10	1942	48.20	2007	53.20						
29500	5644	1799	35.20	1825	37.40	1851	39.70	1904	44.30	1962	49.30	2025	54.60								
31300	5988	1905	41.60	1928	43.90	1951	46.10	2001	51.00	2054	56.20										
33100	6332	2009	48.70	2030	50.90	2052	53.30														

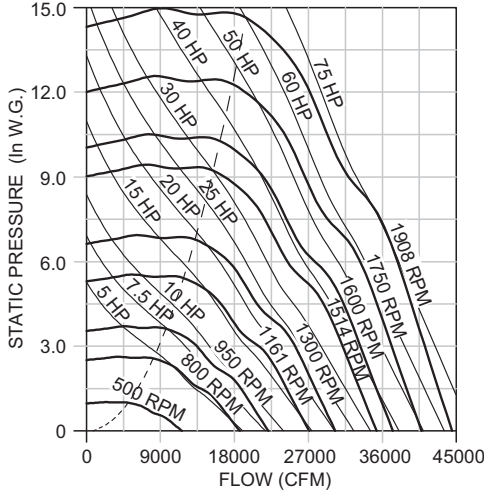
Performance certified is for installation type B: Free inlet, Ducted outlet. Power rating (BHP) does not include transmission losses. Performance ratings do not include the effects of appurtenances (accessories).

CA SWSI & CF Size 330 Data

330 CA SWSI

Wheel Diameter = 33"
 Wheel Type = Airfoil
 Tip Speed (FPM) = 8.64 x RPM
 Max. BHP = 10.8 (RPM/1000)³
 Inlet Area = 6.49 Sq. Ft.
 Outlet Area = 6.33 Sq. Ft.
 Outlet Velocity (FPM) = CFM/6.33

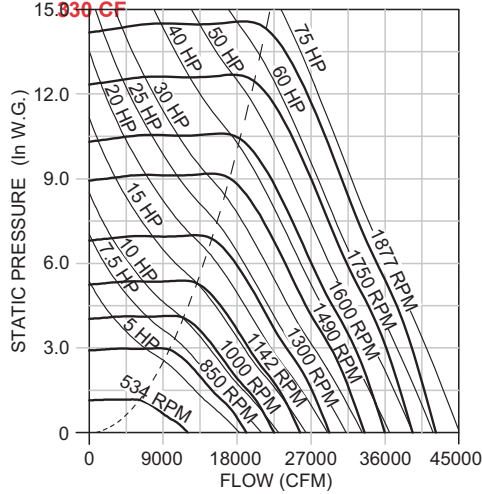
Class I Max. RPM - 1161
Class II Max. RPM - 1514
Class III Max. RPM - 1908



330 CF

Wheel Diameter = 33"
 Wheel Type = Flat Blade
 Tip Speed (FPM) = 8.64 x RPM
 Max. BHP = 10.6 (RPM/1000)³
 Inlet Area = 6.49 Sq. Ft.
 Outlet Area = 6.33 Sq. Ft.
 Outlet Velocity (FPM) = CFM/6.33

Class I Max. RPM - 1142
Class II Max. RPM - 1490
Class III Max. RPM - 1877



330 CA SWSI

CFM	OV	1.000 SP		1.500 SP		2.000 SP		3.000 SP		4.000 SP		5.000 SP		6.000 SP		8.000 SP		10.000 SP		12.000 SP	
		RPM	BHP	RPM	BHP	RPM	BHP	RPM	BHP	RPM	BHP	RPM	BHP	RPM	BHP	RPM	BHP	RPM	BHP	RPM	BHP
5200	820	500	1.09																		
7400	1168	539	1.56	627	2.29	708	3.11														
9600	1515	607	2.27	675	3.09	742	3.98	873	5.98												
11800	1862	663	3.11	745	4.20	801	5.19	910	7.34	1019	9.75	1120	12.40								
14000	2210	728	4.17	802	5.45	871	6.73	967	9.11	1058	11.60	1152	14.40	1241	17.40						
16200	2557	808	5.60	860	6.90	927	8.43	1038	11.30	1117	14.00	1196	17.00	1277	20.10	1434	26.80				
18400	2904	891	7.36	936	8.80	984	10.30	1102	13.80	1188	17.00	1259	20.10	1327	23.30	1468	30.30	1607	38.00	1737	46.20
20600	3252	977	9.53	1017	11.10	1057	12.70	1152	16.40	1255	20.30	1330	23.80	1393	27.30	1515	34.50	1642	42.40	1767	51.00
22800	3599	1064	12.10	1101	13.90	1138	15.70	1213	19.40	1308	23.60	1397	27.90	1464	31.80	1577	39.50	1689	47.70	1804	56.50
25000	3946	1153	15.30	1188	17.20	1221	19.10	1287	23.00	1362	27.30	1452	32.10	1531	36.70	1647	45.20	1749	53.80	1851	62.80
27200	4294	1241	18.80	1275	21.00	1306	23.00	1366	27.20	1429	31.60	1502	36.50	1586	41.80	1718	51.50	1818	60.70	1910	70.00
29400	4641	1332	23.10	1363	25.30	1392	27.50	1448	32.00	1505	36.70	1565	41.60	1636	47.00	1783	58.20	1889	68.30		
31600	4988	1421	27.80	1451	30.30	1480	32.70	1533	37.50	1585	42.40	1638	47.50	1696	52.90	1836	64.90				
33800	5335	1513	33.40	1540	35.90	1567	38.50	1619	43.70	1667	48.90	1716	54.20	1767	59.70	1886	71.90				
36000	5683	1604	39.60	1630	42.30	1656	45.10	1705	50.60	1752	56.20	1797	61.70	1843	67.40						
38200	6030	1694	46.50	1719	49.30	1744	52.30	1792	58.20	1837	64.10	1879	69.90								
40400	6377	1786	54.30	1811	57.40	1835	60.60	1879	66.60												
42600	6725	1880	63.20	1903	66.40																

330 CF

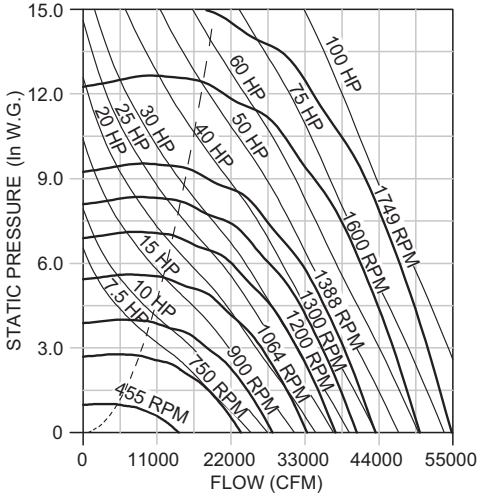
CFM	OV	1.000 SP		1.500 SP		2.000 SP		3.000 SP		4.000 SP		5.000 SP		6.000 SP		8.000 SP		10.000 SP		12.000 SP	
		RPM	BHP	RPM	BHP	RPM	BHP	RPM	BHP	RPM	BHP	RPM	BHP	RPM	BHP	RPM	BHP	RPM	BHP	RPM	BHP
7400	1168	534	1.62	614	2.38																
9600	1515	603	2.34	669	3.19	732	4.13														
11800	1862	680	3.34	740	4.33	795	5.37	897	7.610	997	10.10										
14000	2210	756	4.58	817	5.80	868	6.98	960	9.450	1046	12.10	1130	15.00								
16200	2557	832	6.09	893	7.55	944	8.94	1030	11.70	1109	14.60	1184	17.60	1257	20.80						
18400	2904	913	7.97	968	9.62	1021	11.30	1106	14.40	1180	17.60	1249	20.80	1315	24.20	1444	31.50				
20600	3252	999	10.30	1046	12.10	1096	14.00	1183	17.60	1255	21.10	1320	24.60	1382	28.20	1501	35.90	1616	44.20	1730	53.00
22800	3599	1089	13.20	1128	15.00	1172	17.00	1259	21.20	1331	25.10	1395	29.00	1454	32.90	1565	40.90	1671	49.50	1775	58.60
25000	3946	1180	16.60	1215	18.60	1252	20.60	1334	25.20	1408	29.60	1471	33.90	1528	38.10	1635	46.70	1735	55.70	1832	65.20
27200	4294	1272	20.50	1304	22.70	1336	24.90	1410	29.70	1484	34.70	1548	39.40	1605	44.00	1708	53.20	1803	62.70		
29400	4641	1366	25.20	1394	27.40	1424	29.80	1489	34.80	1559	40.20	1624	45.40	1682	50.50	1783	60.40	1875	70.50		
31600	4988	1460	30.60	1486	33.00	1513	35.40	1571	40.70	1635	46.30	1699	52.00	1759	57.70	1860	68.50				
33800	5335	1553	36.60	1578	39.10	1603	41.80	1656	47.30	1714	53.10	1775	59.30	1834	65.40						
36000	5683	1649	43.60	1673	46.40	1696	49.10	1743	54.70	1795	60.70	1852	67.20								
38200	6030	1746	51.60	1767	54.30	1788	57.10	1833	63.10												
40400	6377	1842	60.40	1860	63.00																

Performance certified is for installation type B: Free inlet, Ducted outlet. Power rating (BHP) does not include transmission losses. Performance ratings do not include the effects of appurtenances (accessories).

365 CA SWSI

Wheel Diameter = 36.5"
 Wheel Type = Airfoil
 Tip Speed (FPM) = 9.56 x RPM
 Max. BHP = 17.5 (RPM/1000)³
 Inlet Area = 7.98 Sq. Ft.
 Outlet Area = 7.73 Sq. Ft.
 Outlet Velocity (FPM) = CFM/7.73

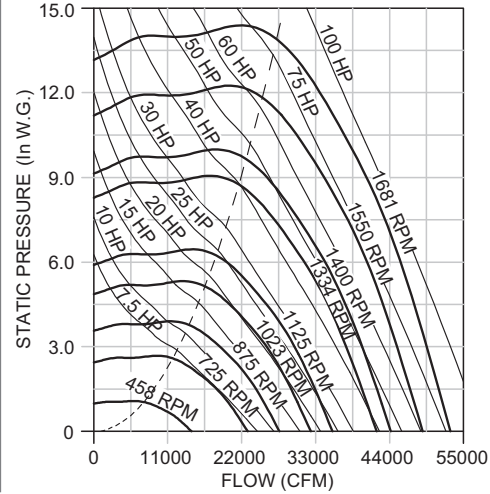
Class I Max. RPM - 1064
Class II Max. RPM - 1388
Class III Max. RPM - 1749



365 CF

Wheel Diameter = 36.5"
 Wheel Type = Flat Blade
 Tip Speed (FPM) = 9.56 x RPM
 Max. BHP = 19.4 (RPM/1000)³
 Inlet Area = 7.73 Sq. Ft.
 Outlet Velocity (FPM) = CFM/7.73

Class I Max. RPM - 1023
Class II Max. RPM - 1334
Class III Max. RPM - 1681



365 CA SWSI

CFM	OV	1.000 SP		1.500 SP		2.000 SP		3.000 SP		4.000 SP		5.000 SP		6.000 SP		8.000 SP		10.000 SP		12.000 SP	
		RPM	BHP	RPM	BHP	RPM	BHP	RPM	BHP	RPM	BHP	RPM	BHP	RPM	BHP	RPM	BHP	RPM	BHP	RPM	BHP
5300	685	455	1.19																		
8000	1034	476	1.62	571	2.53	648	3.51														
10700	1384	520	2.28	594	3.25	669	4.38	802	6.87	911	9.55										
13400	1733	570	3.22	642	4.31	704	5.50	821	8.20	935	11.20	1031	14.40	1118	17.80						
16100	2082	634	4.46	692	5.73	752	7.03	857	9.89	954	13.10	1052	16.60	1142	20.30	1296	28.10				
18800	2431	704	6.01	754	7.51	803	8.98	906	12.10	993	15.40	1075	19.10	1160	23.00	1321	31.60	1457	40.60	1580	50.10
21500	2781	777	7.93	822	9.65	865	11.30	953	14.80	1042	18.30	1119	22.10	1190	26.20	1338	35.20	1480	44.90	1604	55.00
24200	3130	853	10.30	894	12.20	933	14.10	1009	17.90	1089	21.80	1168	25.90	1238	30.10	1365	39.30	1497	49.40	1626	60.30
26900	3479	932	13.20	967	15.20	1004	17.40	1074	21.70	1142	25.90	1215	30.30	1286	34.70	1410	44.20	1524	54.60	1643	65.80
29600	3828	1012	16.70	1044	18.90	1077	21.20	1142	25.90	1204	30.60	1267	35.20	1333	40.00	1459	49.90	1568	60.70	1672	72.20
32300	4177	1092	20.80	1122	23.10	1152	25.60	1212	30.70	1271	35.90	1327	40.90	1386	46.10	1507	56.70	1617	67.60	1715	79.30
35000	4527	1175	25.70	1201	28.10	1229	30.70	1285	36.20	1339	41.70	1393	47.30	1445	52.80	1555	64.00	1665	75.60		
37700	4876	1256	31.10	1282	33.80	1308	36.60	1359	42.30	1411	48.40	1461	54.40	1510	60.30	1608	72.20	1712	84.40		
40400	5225	1340	37.60	1364	40.40	1387	43.20	1435	49.30	1483	55.60	1531	62.10	1577	68.50	1669	81.40				
43100	5574	1424	44.80	1446	47.80	1468	50.80	1512	57.10	1557	63.80	1602	70.60	1647	77.60	1733	91.20				
45800	5924	1506	52.70	1527	55.90	1548	59.10	1591	66.00	1633	72.90	1675	80.00	1718	87.40						
48500	6273	1591	62.00	1611	65.40	1631	68.80	1669	75.50	1710	83.00	1749	90.30								
51200	6622	1677	72.40	1695	75.80	1713	79.20	1750	86.40												

365 CF

CFM	OV	1.000 SP		1.500 SP		2.000 SP		3.000 SP		4.000 SP		5.000 SP		6.000 SP		8.000 SP		10.000 SP		12.000 SP	
		RPM	BHP	RPM	BHP	RPM	BHP	RPM	BHP	RPM	BHP	RPM	BHP	RPM	BHP	RPM	BHP	RPM	BHP	RPM	BHP
8000	1034	458	1.68																		
10700	1384	503	2.41	574	3.41	641	4.50														
13400	1733	557	3.35	621	4.54	680	5.80	788	8.43												
16100	2082	620	4.59	676	5.98	730	7.42	827	10.40	918	13.50										
18800	2431	690	6.21	737	7.74	785	9.37	876	12.70	959	16.20	1037	19.80	1113	23.70						
21500	2781	764	8.26	805	9.95	846	11.70	929	15.50	1007	19.30	1080	23.30	1149	27.40	1283	36.10				
24200	3130	841	10.80	877	12.70	913	14.60	987	18.60	1060	22.90	1129	27.30	1194	31.70	1318	41.00	1436	50.80		
26900	3479	920	14.00	952	15.90	985	18.00	1050	22.40	1117	27.00	1182	31.70	1244	36.50	1361	46.60	1471	56.90	1577	67.70
29600	3828	999	17.60	1029	19.80	1059	22.10	1118	26.80	1178	31.70	1238	36.70	1297	41.90	1409	52.70	1514	63.80	1613	75.10
32300	4177	1081	22.10	1107	24.40	1135	26.80	1189	31.80	1243	37.00	1298	42.40	1353	48.00	1461	59.50	1561	71.30	1656	83.50
35000	4527	1161	27.20	1187	29.70	1212	32.30	1262	37.60	1312	43.10	1362	48.80	1413	54.70	1515	67.00	1612	79.60		
37700	4876	1245	33.30	1268	35.90	1291	38.60	1337	44.20	1383	50.00	1430	56.10	1476	62.20	1571	75.10	1665	88.60		
40400	5225	1327	40.10	1349	42.90	1371	45.80	1414	51.70	1457	57.80	1500	64.10	1543	70.60	1631	84.10				
43100	5574	1409	47.80	1430	50.80	1451	53.90	1492	60.20	1531	66.40	1572	73.20	1613	80.00						
45800	5924	1493	56.60	1513	59.90	1532	63.00	1570	69.50	1608	76.30	1646	83.20								
48500	6273	1578	66.70	1595	69.80	1613	73.10	1650	80.10												

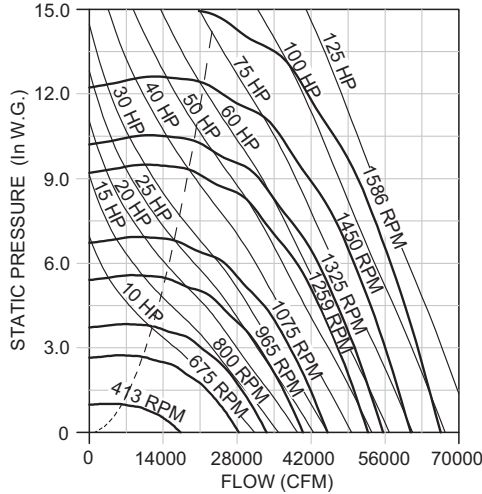
Performance certified is for installation type B: Free inlet, Ducted outlet. Power rating (BHP) does not include transmission losses. Performance ratings do not include the effects of appurtenances (accessories).

CA SWSI & CF Size 402 Data

402 CA SWSI

Wheel Diameter = 40.25"
 Wheel Type = Airfoil
 Tip Speed (FPM) = 10.54 x RPM
 Max. BHP = 28.4 (RPM/1000)³
 Inlet Area = 9.72 Sq. Ft.
 Outlet Area = 9.41 Sq. Ft.
 Outlet Velocity (FPM) = CFM/9.41

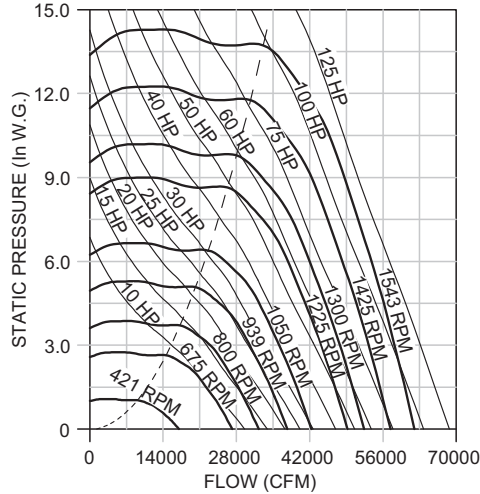
Class I Max. RPM - 965
Class II Max. RPM - 1259
Class III Max. RPM - 1586



402 CF

Wheel Diameter = 40.25"
 Wheel Type = Flat Blade
 Tip Speed (FPM) = 10.54 x RPM
 Max. BHP = 31.3 (RPM/1000)³
 Inlet Area = 9.72 Sq. Ft.
 Outlet Area = 9.41 Sq. Ft.
 Outlet Velocity (FPM) = CFM/9.41

Class I Max. RPM - 939
Class II Max. RPM - 1225
Class III Max. RPM - 1543



402 CA SWSI

CFM	OV	1.000 SP		1.500 SP		2.000 SP		3.000 SP		4.000 SP		5.000 SP		6.000 SP		8.000 SP		10.000 SP		12.000 SP	
		RPM	BHP	RPM	BHP	RPM	BHP	RPM	BHP	RPM	BHP	RPM	BHP	RPM	BHP	RPM	BHP	RPM	BHP	RPM	BHP
6500	690	413	1.45																		
9800	1041	433	2.00	518	3.09	588	4.28														
13100	1392	473	2.79	540	3.99	607	5.35	728	8.38	827	11.70										
16400	1742	519	3.96	584	5.30	640	6.74	746	10.00	849	13.70	936	17.60	1015	21.80						
19700	2093	577	5.47	630	7.05	684	8.63	779	12.10	866	16.00	955	20.30	1037	24.80	1177	34.40				
23000	2444	641	7.38	686	9.21	731	11.00	823	14.80	903	18.90	977	23.40	1054	28.20	1199	38.50	1323	49.60	1434	61.10
26300	2795	708	9.76	749	11.90	788	14.00	867	18.10	947	22.50	1017	27.10	1082	32.10	1215	43.00	1344	54.80	1457	67.30
29600	3145	778	12.70	814	15.00	850	17.40	919	22.10	991	26.80	1062	31.70	1125	36.90	1241	48.10	1360	60.50	1476	73.60
32900	3496	849	16.30	881	18.70	914	21.40	977	26.60	1039	31.80	1105	37.10	1169	42.50	1282	54.20	1385	66.80	1492	80.50
36200	3847	922	20.60	951	23.20	981	26.10	1040	31.90	1096	37.60	1153	43.30	1212	49.10	1327	61.30	1425	74.20	1519	88.20
39500	4198	996	25.60	1023	28.50	1050	31.50	1104	37.80	1157	44.10	1208	50.30	1261	56.60	1370	69.40	1470	82.80	1559	97.10
42800	4548	1071	31.60	1095	34.60	1120	37.80	1170	44.50	1220	51.40	1268	58.10	1315	64.80	1414	78.50	1514	92.70		
46100	4899	1145	38.30	1169	41.70	1192	45.10	1237	52.00	1284	59.30	1330	66.80	1374	74.00	1463	88.60	1557	104.0		
49400	5250	1222	46.40	1243	49.80	1264	53.20	1307	60.60	1350	68.30	1394	76.30	1436	84.20	1518	99.70				
52700	5600	1298	55.30	1318	58.90	1338	62.60	1377	70.20	1418	78.40	1459	86.80	1499	95.20	1577	112.0				
56000	5951	1373	65.10	1392	68.90	1411	72.90	1449	81.10	1487	89.60	1525	98.30	1564	107.0						
59300	6302	1451	76.60	1469	80.70	1486	84.70	1521	93.00	1557	102.0										
62600	6653	1528	89.20	1545	93.40	1561	97.50														

402 CF

CFM	OV	1.000 SP		1.500 SP		2.000 SP		3.000 SP		4.000 SP		5.000 SP		6.000 SP		8.000 SP		10.000 SP		12.000 SP	
		RPM	BHP	RPM	BHP	RPM	BHP	RPM	BHP	RPM	BHP	RPM	BHP	RPM	BHP	RPM	BHP	RPM	BHP	RPM	BHP
9800	1041	421	2.08																		
13100	1392	459	2.96	527	4.18	589	5.57														
16400	1742	516	4.30	567	5.62	623	7.07	724	10.50												
19700	2093	582	6.05	625	7.65	667	9.23	758	12.60	842	16.70										
23000	2444	650	8.23	690	10.10	727	12.00	800	15.70	878	19.70	952	24.40	1023	29.40						
26300	2795	722	11.00	757	13.10	791	15.30	855	19.60	920	23.90	989	28.40	1054	33.40	1179	44.80				
29600	3145	796	14.40	827	16.80	858	19.20	918	24.10	973	28.80	1031	33.70	1092	38.70	1209	50.10	1320	63.00		
32900	3496	872	18.60	900	21.20	927	23.80	983	29.30	1035	34.70	1085	40.00	1136	45.20	1246	56.60	1350	69.70	1449	83.90
36200	3847	949	23.70	974	26.40	999	29.30	1050	35.20	1099	41.20	1146	47.10	1191	52.90	1287	64.80	1387	77.60	1480	92.00
39500	4198	1027	29.60	1049	32.50	1073	35.70	1119	42.00	1166	48.60	1210	55.10	1252	61.50	1336	74.20	1426	87.30	1517	101.0
42800	4548	1106	36.70	1127	39.90	1148	43.10	1190	49.80	1233	56.80	1275	63.90	1316	71.00	1393	84.70	1472	98.60		
46100	4899	1184	44.60	1204	48.00	1223	51.40	1263	58.80	1302	66.10	1343	73.90	1382	81.50	1455	96.40	1526	111.0		
49400	5250	1264	53.90	1283	57.70	1301	61.30	1336	68.70	1373	76.50	1411	84.70	1448	92.90	1519	109.0				
52700	5600	1345	64.70	1362	68.50	1378	72.10	1412	80.20	1446	88.30	1481	96.90	1516	106.0						
56000	5951	1425	76.60	1440	80.30	1456	84.40	1487	92.60	1520	102.0										
59300	6302	1505	89.90	1519	93.70	1535	98.30														

Performance certified is for installation type B: Free inlet, Ducted outlet. Power rating (BHP) does not include transmission losses. Performance ratings do not include the effects of appurtenances (accessories).

445 CA SWSI

Wheel Diameter = 44.5"

Wheel Type = Airfoil

Tip Speed (FPM) = 11.65 x RPM

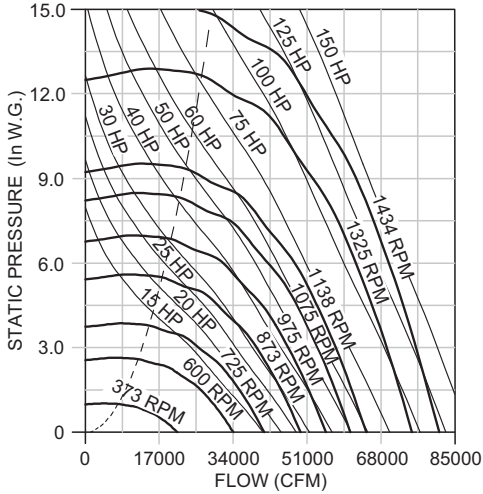
Max. BHP = 47.2 (RPM/1000)³

Inlet Area = 11.86 Sq. Ft.

Outlet Area = 11.50 Sq. Ft.

Outlet Velocity (FPM) = CFM/11.50

Class I Max. RPM - 873
Class II Max. RPM - 1138
Class III Max. RPM - 1434



445 CF

Wheel Diameter = 44.5"

Wheel Type = Flat Blade

Tip Speed (FPM) = 11.65 x RPM

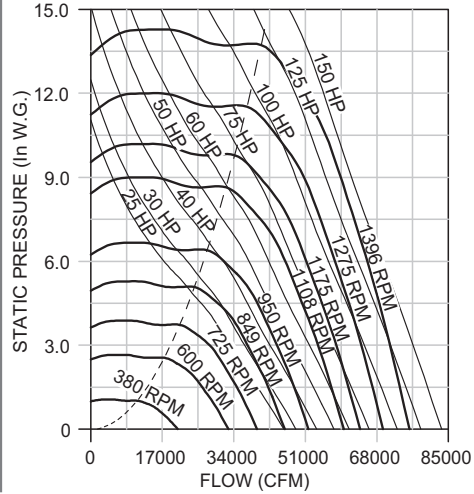
Max. BHP = 52.0 (RPM/1000)³

Inlet Area = 11.86 Sq. Ft.

Outlet Area = 11.50 Sq. Ft.

Outlet Velocity (FPM) = CFM/11.50

Class I Max. RPM - 849
Class II Max. RPM - 1108
Class III Max. RPM - 1396



445 CA SWSI

CFM	OV	1.000 SP		1.500 SP		2.000 SP		3.000 SP		4.000 SP		5.000 SP		6.000 SP		8.000 SP		10.000 SP		12.000 SP	
		RPM	BHP	RPM	BHP	RPM	BHP	RPM	BHP	RPM	BHP	RPM	BHP	RPM	BHP	RPM	BHP	RPM	BHP	RPM	BHP
7900	687	373	1.76																		
11900	1035	391	2.42	468	3.75	531	5.20														
15900	1383	427	3.39	488	4.86	549	6.52	658	10.20	747	14.20										
19900	1731	467	4.76	527	6.42	577	8.15	674	12.20	767	16.70	846	21.50	917	26.50						
23900	2079	520	6.62	567	8.49	617	10.50	703	14.70	782	19.40	863	24.60	937	30.20	1063	41.80				
27900	2426	577	8.91	618	11.10	658	13.30	742	17.90	814	22.90	882	28.40	952	34.20	1083	46.80	1195	60.30	1296	74.40
31900	2774	637	11.80	673	14.30	709	16.80	781	21.90	854	27.20	917	32.80	976	38.90	1098	52.30	1214	66.60	1316	81.80
35900	3122	699	15.30	732	18.10	764	20.90	827	26.60	893	32.40	957	38.30	1015	44.70	1119	58.20	1228	73.40	1333	89.30
39900	3470	763	19.50	792	22.50	822	25.70	879	32.00	936	38.40	996	44.80	1054	51.40	1156	65.60	1250	81.10	1348	97.80
43900	3818	828	24.70	855	27.90	882	31.40	935	38.30	986	45.20	1039	52.30	1093	59.40	1196	74.00	1285	89.90	1370	107.0
47900	4166	894	30.70	919	34.30	943	37.80	993	45.50	1041	53.10	1087	60.60	1136	68.30	1235	83.90	1326	100.0	1406	118.0
51900	4514	961	37.80	983	41.40	1006	45.40	1052	53.50	1097	61.80	1141	70.10	1184	78.20	1274	94.80	1365	112.0		
55900	4862	1028	45.90	1050	50.00	1070	54.00	1112	62.50	1155	71.50	1196	80.30	1237	89.30	1318	107.0	1403	125.0		
59900	5210	1097	55.50	1116	59.60	1135	63.80	1174	72.70	1214	82.20	1253	91.70	1292	102.0	1367	120.0				
63900	5558	1165	66.10	1183	70.50	1201	75.00	1238	84.50	1275	94.30	1312	105.0	1348	115.0	1419	135.0				
67900	5906	1233	78.00	1250	82.60	1267	87.40	1302	97.40	1337	108.0	1371	118.0	1406	129.0						
71900	6254	1302	91.50	1318	96.40	1335	102.0	1366	112.0	1399	122.0	1432	134.0								
75900	6602	1372	107.0	1387	112.0	1401	117.0	1432	128.0												

445 CF

CFM	OV	1.000 SP		1.500 SP		2.000 SP		3.000 SP		4.000 SP		5.000 SP		6.000 SP		8.000 SP		10.000 SP		12.000 SP	
		RPM	BHP	RPM	BHP	RPM	BHP	RPM	BHP	RPM	BHP	RPM	BHP	RPM	BHP	RPM	BHP	RPM	BHP	RPM	BHP
11900	1035	380	2.53																		
15900	1383	414	3.59	475	5.05																
19900	1731	465	5.20	511	6.79	562	8.560	654	12.70												
23900	2079	523	7.27	563	9.24	601	11.20	684	15.30	761	20.30										
27900	2426	585	9.93	621	12.20	654	14.50	721	19.00	792	23.90	859	29.60	924	35.70						
31900	2774	649	13.20	681	15.80	712	18.50	779	23.60	829	28.80	892	34.40	951	40.50	1065	54.40				
35900	3122	715	17.30	743	20.20	772	23.20	826	29.10	876	34.80	929	40.60	985	46.80	1091	60.80	1192	76.50		
39900	3470	783	22.30	808	25.40	834	28.70	884	35.30	931	41.80	977	48.20	1024	54.70	1124	68.50	1218	84.50	1308	102.0
43900	3818	853	28.50	875	31.70	898	35.20	944	42.40	989	49.70	1031	56.80	1072	63.70	1160	78.20	1251	93.90	1336	112.0
47900	4166	922	35.50	943	39.10	964	42.90	1006	50.60	1048	58.50	1089	66.50	1127	74.10	1203	89.50	1286	106.0	1369	123.0
51900	4514	993	43.90	1012	47.80	1031	51.70	1069	59.80	1109	68.50	1147	77.00	1184	85.50	1254	102.0	1326	119.0		
55900	4862	1063	53.40	1081	57.60	1098	61.60	1134	70.40	1171	79.60	1207	88.80	1243	98.20	1309	116.0	1374	134.0		
59900	5210	1135	64.60	1152	69.10	1168	73.50	1201	82.60	1234	92.00	1269	102.0	1302	112.0	1367	132.0				
63900	5558	1207	77.40	1222	81.80	1237	86.40	1268	96.10	1299	106.0	1331	116.0	1363	127.0						
67900	5906	1279	91.70	1293	96.20	1307	101.0	1336	111.0	1366	122.0										
71900	6254	1351	108.0	1363	112.0	1378	118.0														

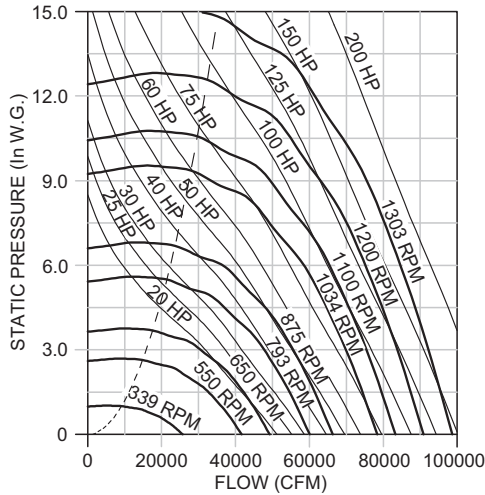
Performance certified is for installation type B: Free inlet, Ducted outlet. Power rating (BHP) does not include transmission losses. Performance ratings do not include the effects of appurtenances (accessories).

CA SWSI & CF Size 490 Data

490 CA SWSI

Wheel Diameter = 49"
 Wheel Type = Airfoil
 Tip Speed (FPM) = 12.83 x RPM
 Max. BHP = 76.4 (RPM/1000)³
 Inlet Area = 14.42 Sq. Ft.
 Outlet Area = 13.94 Sq. Ft.
 Outlet Velocity (FPM) = CFM/13.94

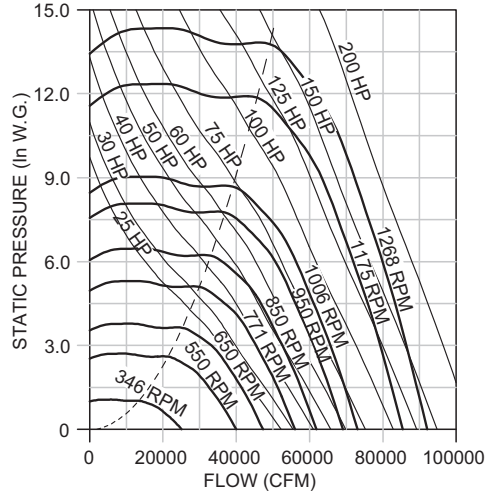
Class I Max. RPM - 793
Class II Max. RPM - 1034
Class III Max. RPM - 1303



490 CF

Wheel Diameter = 49"
 Wheel Type = Flat Blade
 Tip Speed (FPM) = 12.83 x RPM
 Max. BHP = 84.3 (RPM/1000)³
 Inlet Area = 14.42 Sq. Ft.
 Outlet Area = 13.94 Sq. Ft.
 Outlet Velocity (FPM) = CFM/13.94

Class I Max. RPM - 771
Class II Max. RPM - 1006
Class III Max. RPM - 1268



490 CA SWSI

CFM	OV	1.000 SP		1.500 SP		2.000 SP		3.000 SP		4.000 SP		5.000 SP		6.000 SP		8.000 SP		10.000 SP		12.000 SP	
		RPM	BHP	RPM	BHP	RPM	BHP	RPM	BHP	RPM	BHP	RPM	BHP	RPM	BHP	RPM	BHP	RPM	BHP	RPM	BHP
9600	688	339	2.14																		
14600	1047	356	2.98	426	4.60	483	6.36														
19600	1405	390	4.20	445	5.98	499	7.99	598	12.50	680	17.40										
24600	1764	429	5.99	482	8.01	528	10.10	613	15.00	698	20.50	770	26.40	835	32.60						
29600	2123	478	8.31	520	10.60	565	13.10	643	18.30	713	24.00	786	30.50	853	37.20	968	51.50				
34600	2481	532	11.30	569	14.10	605	16.80	680	22.40	745	28.50	805	35.10	867	42.30	986	57.70	1088	74.20	1180	91.70
39600	2840	589	15.00	622	18.20	653	21.30	717	27.60	783	34.10	840	41.00	893	48.40	1000	64.70	1105	82.20	1199	101.0
44600	3199	647	19.50	677	23.10	706	26.60	761	33.60	819	40.80	877	48.10	930	55.90	1023	72.50	1119	91.00	1214	111.0
49600	3557	708	25.20	734	28.90	760	32.80	811	40.70	861	48.50	914	56.60	966	64.60	1059	81.90	1142	101.0	1228	121.0
54600	3916	769	31.90	793	35.90	817	40.20	864	48.80	909	57.40	955	66.00	1003	74.90	1097	93.10	1178	113.0	1253	133.0
59600	4274	831	39.80	853	44.20	874	48.50	918	58.00	961	67.50	1003	77.00	1044	86.20	1132	106.0	1215	126.0	1288	147.0
64600	4633	894	49.10	914	53.70	934	58.50	974	68.40	1014	78.70	1053	89.00	1091	99.10	1170	120.0	1251	141.0		
69600	4992	957	59.80	975	64.60	994	69.80	1031	80.30	1069	91.40	1106	103.0	1142	114.0	1213	136.0	1288	158.0		
74600	5350	1021	72.20	1038	77.40	1055	82.60	1090	93.80	1125	106.0	1160	117.0	1194	129.0	1260	153.0				
79600	5709	1085	86.20	1101	91.70	1117	97.30	1149	109.0	1182	121.0	1215	134.0	1248	147.0						
84600	6068	1149	102.0	1164	108.0	1180	114.0	1210	126.0	1240	139.0	1271	152.0	1302	165.0						
89600	6426	1214	120.0	1228	126.0	1242	132.0	1271	145.0	1300	158.0										
94600	6785	1279	140.0	1292	146.0																

490 CF

CFM	OV	1.000 SP		1.500 SP		2.000 SP		3.000 SP		4.000 SP		5.000 SP		6.000 SP		8.000 SP		10.000 SP		12.000 SP	
		RPM	BHP	RPM	BHP	RPM	BHP	RPM	BHP	RPM	BHP	RPM	BHP	RPM	BHP	RPM	BHP	RPM	BHP	RPM	BHP
14600	1047	346	3.10																		
19600	1405	379	4.47	434	6.25	485	8.36														
24600	1764	427	6.51	468	8.48	513	10.60	596	15.70												
29600	2123	482	9.18	518	11.60	552	14.00	625	19.10	694	25.10										
34600	2481	540	12.60	572	15.40	602	18.30	661	23.90	724	29.80	785	36.70	842	44.10						
39600	2840	601	16.90	629	20.10	657	23.40	708	29.80	760	36.20	816	43.00	870	50.50	971	67.40				
44600	3199	663	22.20	688	25.80	713	29.40	761	36.70	806	43.90	853	51.30	902	58.70	997	75.60	1087	94.90		
49600	3557	727	28.80	749	32.60	772	36.70	817	44.90	859	53.00	899	60.90	940	68.90	1029	85.90	1113	105.0	1194	126.0
54600	3916	792	36.70	812	40.90	832	45.10	873	54.00	913	63.00	951	72.00	987	80.60	1064	98.50	1145	118.0	1221	139.0
59600	4274	858	46.20	876	50.50	894	55.10	932	64.80	969	74.50	1005	84.30	1039	93.90	1107	113.0	1179	133.0	1253	154.0
64600	4633	924	57.10	941	61.90	958	66.80	992	77.00	1026	87.40	1061	98.20	1094	109.0	1156	130.0	1219	151.0		
69600	4992	989	69.40	1005	74.60	1021	79.90	1053	90.80	1085	102.0	1117	113.0	1149	125.0	1209	148.0	1266	170.0		
74600	5350	1057	84.30	1072	89.80	1086	95.20	1115	106.0	1145	118.0	1175	131.0	1205	143.0	1263	168.0				
79600	5709	1125	101.0	1138	107.0	1151	112.0	1179	124.0	1206	137.0	1234	149.0	1263	163.0						
84600	6068	1193	120.0	1204	125.0	1217	132.0	1242	144.0												

Performance certified is for installation type B: Free inlet, Ducted outlet. Power rating (BHP) does not include transmission losses. Performance ratings do not include the effects of appurtenances (accessories).

540 CA SWSI

Wheel Diameter = 54"

Wheel Type = Airfoil

Tip Speed (FPM) = 14.14 x RPM

Max. BHP = 124 (RPM/1000)³

Inlet Area = 17.61 Sq. Ft.

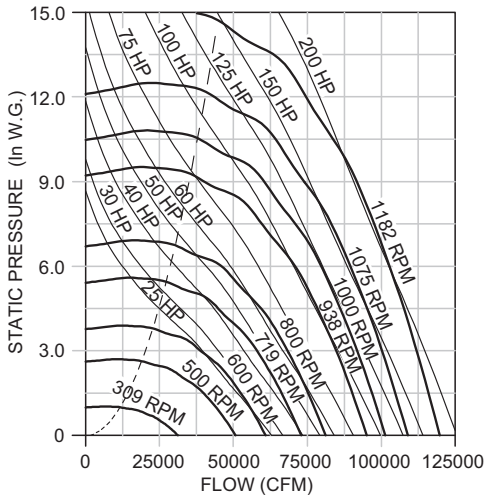
Outlet Area = 16.92 Sq. Ft.

Outlet Velocity (FPM) = CFM/16.92

Class I Max. RPM - 719

Class II Max. RPM - 938

Class III Max. RPM - 1182



540 CF

Wheel Diameter = 54"

Wheel Type = Flat Blade

Tip Speed (FPM) = 14.14 x RPM

Max. BHP = 137 (RPM/1000)³

Inlet Area = 17.61 Sq. Ft.

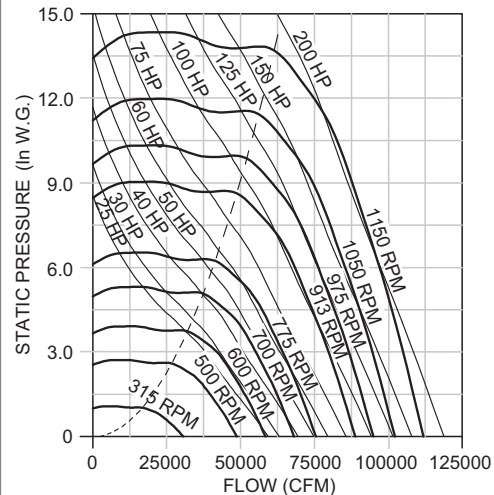
Outlet Area = 16.92 Sq. Ft.

Outlet Velocity (FPM) = CFM/16.92

Class I Max. RPM - 700

Class II Max. RPM - 913

Class III Max. RPM - 1150



540 CA SWSI

CFM	OV	1.000 SP		1.500 SP		2.000 SP		3.000 SP		4.000 SP		5.000 SP		6.000 SP		8.000 SP		10.000 SP		12.000 SP	
		RPM	BHP	RPM	BHP	RPM	BHP	RPM	BHP	RPM	BHP	RPM	BHP	RPM	BHP	RPM	BHP	RPM	BHP	RPM	BHP
12000	709	309	2.67																		
18000	1063	324	3.67	387	5.65	439	7.81														
24000	1418	355	5.17	405	7.34	453	9.76	544	15.30	617	21.20										
30000	1773	390	7.32	438	9.78	480	12.40	557	18.30	633	25.00	699	32.10	758	39.60						
36000	2127	434	10.10	473	13.00	513	15.90	583	22.10	647	29.20	713	37.00	774	45.20	878	62.50				
42000	2482	483	13.70	516	17.00	549	20.40	617	27.20	676	34.60	730	42.60	786	51.30	895	70.20	987	90.10	1070	111.0
48000	2837	533	18.10	563	21.90	592	25.70	650	33.40	710	41.40	762	49.70	809	58.50	907	78.40	1003	99.80	1087	122.0
54000	3191	586	23.60	613	27.80	639	32.10	690	40.70	742	49.20	795	58.20	843	67.60	928	87.90	1015	110.0	1101	134.0
60000	3546	640	30.30	664	34.80	688	39.60	734	49.00	780	58.60	828	68.30	875	78.00	960	99.20	1035	122.0	1114	147.0
66000	3900	695	38.30	716	43.00	738	48.20	781	58.70	823	69.20	865	79.70	908	90.20	993	112.0	1067	136.0	1136	161.0
72000	4255	751	47.80	770	52.80	790	58.30	830	69.70	869	81.20	907	92.60	945	104.0	1025	127.0	1101	152.0	1167	178.0
78000	4610	807	58.80	825	64.30	843	70.00	880	82.10	917	94.70	952	107.0	987	119.0	1059	144.0	1133	170.0		
84000	4964	864	71.60	880	77.30	897	83.40	931	96.20	966	110.0	999	123.0	1032	136.0	1097	163.0	1166	190.0		
90000	5319	921	86.20	937	92.60	952	98.80	983	112.0	1015	126.0	1047	141.0	1079	155.0	1139	183.0				
96000	5674	978	103.0	993	109.0	1007	116.0	1037	130.0	1067	145.0	1097	160.0	1127	176.0						
102000	6028	1035	121.0	1049	128.0	1063	135.0	1091	150.0	1119	166.0	1147	182.0	1175	198.0						
108000	6383	1094	143.0	1107	150.0	1120	158.0	1145	172.0	1172	189.0										
114000	6738	1152	166.0	1164	174.0	1176	181.0														

540 CF

CFM	OV	1.000 SP		1.500 SP		2.000 SP		3.000 SP		4.000 SP		5.000 SP		6.000 SP		8.000 SP		10.000 SP		12.000 SP		
		RPM	BHP	RPM	BHP	RPM	BHP	RPM	BHP	RPM	BHP	RPM	BHP	RPM	BHP	RPM	BHP	RPM	BHP	RPM	BHP	
18000	1063	315	3.81																			
24000	1418	345	5.50	394	7.620	440	10.20															
30000	1773	389	8.00	426	10.40	466	12.90	541	19.10													
36000	2127	438	11.20	470	14.10	501	17.10	567	23.10	630	30.50											
42000	2482	490	15.30	519	18.80	546	22.10	600	29.00	657	36.10	712	44.50	764	53.60							
48000	2837	544	20.40	570	24.40	595	28.30	642	36.10	689	43.80	740	52.10	789	61.20	881	81.80					
54000	3191	600	26.80	623	31.10	646	35.60	690	44.50	730	53.00	773	62.00	818	71.10	904	91.50	985	115.0			
60000	3546	658	34.70	678	39.40	698	44.10	739	54.10	777	63.80	814	73.50	852	83.30	932	104.0	1009	127.0	1082	153.0	
66000	3900	716	44.10	734	49.10	752	54.20	790	65.10	826	75.90	860	86.60	894	97.40	964	119.0	1037	142.0	1107	168.0	
72000	4255	775	55.30	791	60.50	808	66.20	842	77.70	876	89.60	909	102.0	940	113.0	1002	136.0	1067	160.0	1135	186.0	
78000	4610	834	68.30	849	74.00	865	80.10	896	92.30	927	105.0	959	118.0	989	131.0	1046	156.0	1103	181.0			
84000	4964	893	83.10	907	89.20	922	95.70	951	109.0	980	122.0	1009	136.0	1038	150.0	1092	177.0	1145	204.0			
90000	5319	953	101.0	967	107.0	980	114.0	1006	127.0	1033	141.0	1061	156.0	1088	171.0	1141	201.0					
96000	5674	1014	121.0	1026	127.0	1038	134.0	1063	148.0	1088	163.0	1114	179.0	1140	195.0							
102000	6028	1075	143.0	1085	149.0	1097	157.0	1120	172.0	1144	188.0											
108000	6383	1135	168.0	1145	175.0																	

Performance certified is for installation type B: Free inlet, Ducted outlet. Power rating (BHP) does not include transmission losses. Performance ratings do not include the effects of appurtenances (accessories).

CA SWSI & CF Size 600 Data

600 CA SWSI

Wheel Diameter = 60"

Wheel Type = Airfoil

Tip Speed (FPM) = 15.71 x RPM

Max. BHP = 210 (RPM/1000)³

Inlet Area = 21.55 Sq. Ft.

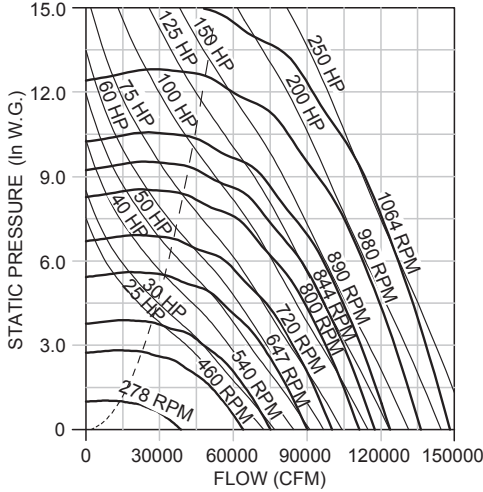
Outlet Area = 20.88 Sq. Ft.

Outlet Velocity (FPM) = CFM/20.88

Class I Max. RPM - 647

Class II Max. RPM - 844

Class III Max. RPM - 1064



600 CF

Wheel Diameter = 60"

Wheel Type = Flat Blade

Tip Speed (FPM) = 15.71 x RPM

Max. BHP = 232 (RPM/1000)³

Inlet Area = 21.55 Sq. Ft.

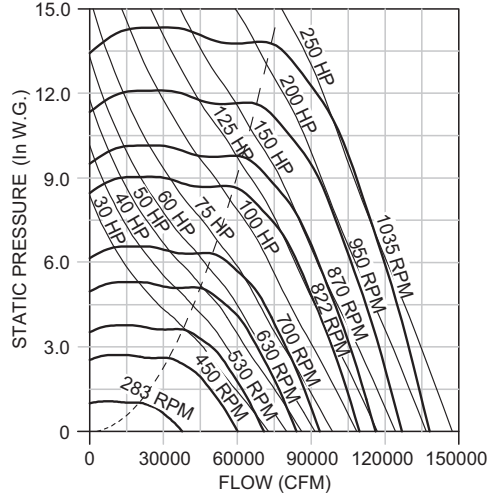
Outlet Area = 20.88 Sq. Ft.

Outlet Velocity (FPM) = CFM/20.88

Class I Max. RPM - 630

Class II Max. RPM - 822

Class III Max. RPM - 1035



600 CA SWSI

CFM	OV	1.000 SP		1.500 SP		2.000 SP		3.000 SP		4.000 SP		5.000 SP		6.000 SP		8.000 SP		10.000 SP		12.000 SP	
		RPM	BHP	RPM	BHP	RPM	BHP	RPM	BHP	RPM	BHP	RPM	BHP	RPM	BHP	RPM	BHP	RPM	BHP	RPM	BHP
15000	718	278	3.30																		
22000	1053	291	4.48	348	6.92	395	9.59														
29000	1389	317	6.19	362	8.84	407	11.90	488	18.60	555	25.90										
36000	1724	346	8.62	390	11.60	428	14.80	499	22.00	568	30.10	627	38.80	680	47.90						
43000	2059	383	11.80	419	15.20	456	18.70	519	26.30	579	35.00	640	44.50	694	54.30	788	75.50				
50000	2394	423	15.70	454	19.70	485	23.60	548	31.90	601	40.90	652	50.70	705	61.50	802	84.10	885	109.0	960	134.0
57000	2730	466	20.60	494	25.20	520	29.50	576	38.80	630	48.30	676	58.40	721	69.50	813	93.60	899	120.0	974	147.0
64000	3065	510	26.50	535	31.50	560	36.70	607	46.70	657	57.00	705	67.80	747	79.10	827	104.0	909	131.0	987	160.0
71000	3400	556	33.80	578	39.10	601	44.90	644	56.10	687	67.30	733	79.00	776	90.80	851	116.0	923	144.0	997	174.0
78000	3735	602	42.30	622	48.10	643	54.30	683	66.70	722	79.00	762	91.40	803	104.0	880	131.0	946	159.0	1012	190.0
85000	4071	649	52.40	667	58.50	686	65.10	724	78.70	760	92.20	796	106.0	833	119.0	908	147.0	975	177.0	1035	208.0
92000	4406	697	64.40	714	71.00	731	77.80	766	92.30	800	107.0	833	122.0	866	136.0	936	166.0	1003	196.0	1063	229.0
99000	4741	745	78.00	761	85.10	776	92.00	809	108.0	841	123.0	872	139.0	903	155.0	965	186.0	1031	219.0		
106000	5077	793	93.50	808	101.0	823	109.0	853	125.0	883	141.0	913	159.0	942	175.0	999	209.0	1059	243.0		
113000	5412	842	111.0	856	119.0	870	127.0	897	144.0	926	162.0	954	180.0	982	198.0	1036	234.0				
120000	5747	891	131.0	904	140.0	917	148.0	943	165.0	969	184.0	996	203.0	1023	222.0						
127000	6082	939	153.0	952	162.0	964	171.0	989	189.0	1014	208.0	1039	228.0	1064	248.0						
134000	6418	989	178.0	1001	188.0	1012	197.0	1035	215.0	1059	236.0										
141000	6753	1039	206.0	1049	215.0	1060	225.0														

600 CF

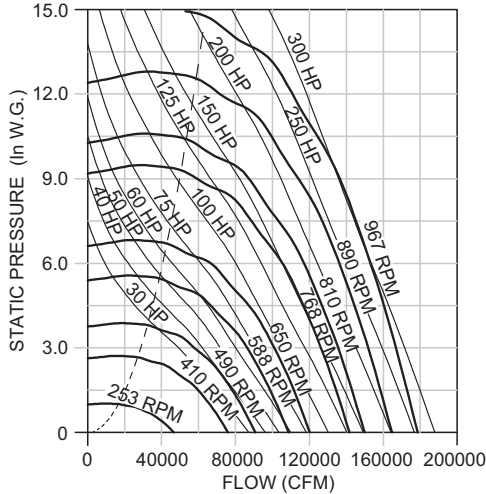
CFM	OV	1.000 SP		1.500 SP		2.000 SP		3.000 SP		4.000 SP		5.000 SP		6.000 SP		8.000 SP		10.000 SP		12.000 SP	
		RPM	BHP	RPM	BHP	RPM	BHP	RPM	BHP	RPM	BHP	RPM	BHP	RPM	BHP	RPM	BHP	RPM	BHP	RPM	BHP
22000	1053	283	4.67																		
29000	1389	307	6.52	353	9.23	395	12.40														
36000	1724	344	9.38	379	12.30	416	15.40	485	23.00												
43000	2059	385	12.90	415	16.50	444	20.00	506	27.50	563	36.50										
50000	2394	429	17.50	456	21.60	481	25.70	532	33.90	585	42.60	635	53.00								
57000	2730	475	23.20	499	27.80	522	32.50	565	41.60	611	51.10	658	61.10	702	72.30						
64000	3065	522	30.10	543	35.20	565	40.60	605	51.00	643	61.20	684	71.80	726	82.80	805	108.0				
71000	3400	570	38.50	589	44.00	608	49.70	647	61.70	682	73.20	716	84.40	753	96.20	829	122.0	899	151.0	968	182.0
78000	3735	620	48.80	636	54.50	654	60.80	689	73.60	723	86.60	754	98.90	786	112.0	854	138.0	922	166.0	985	198.0
85000	4071	669	60.50	685	67.10	701	73.80	733	87.50	765	102.0	795	115.0	824	129.0	883	157.0	946	185.0	1008	217.0
92000	4406	720	74.80	734	81.50	748	88.30	778	103.0	808	118.0	837	134.0	864	148.0	918	178.0	974	208.0	1032	239.0
99000	4741	770	90.70	783	97.80	797	106.0	824	121.0	852	137.0	879	153.0	906	170.0	956	202.0	1006	234.0		
106000	5077	820	109.0	833	117.0	846	125.0	871	141.0	897	158.0	923	176.0	948	193.0	997	228.0				
113000	5412	872	130.0	884	138.0	895	146.0	919	164.0	943	182.0	967	200.0	991	218.0						
120000	5747	924	154.0	934	162.0	944	170.0	967	189.0	990	208.0	1012	227.0								
127000	6082	975	180.0	984	188.0	995	198.0	1016	217.0												

Performance certified is for installation type B: Free inlet, Ducted outlet. Power rating (BHP) does not include transmission losses. Performance ratings do not include the effects of appurtenances (accessories).

660 CA SWSI

Wheel Diameter = 66"
 Wheel Type = Airfoil
 Tip Speed (FPM) = 17.28 x RPM
 Max. BHP = 339 (RPM/1000)³
 Inlet Area = 26.15 Sq. Ft.
 Outlet Area = 25.28 Sq. Ft.
 Outlet Velocity (FPM) = CFM/25.28

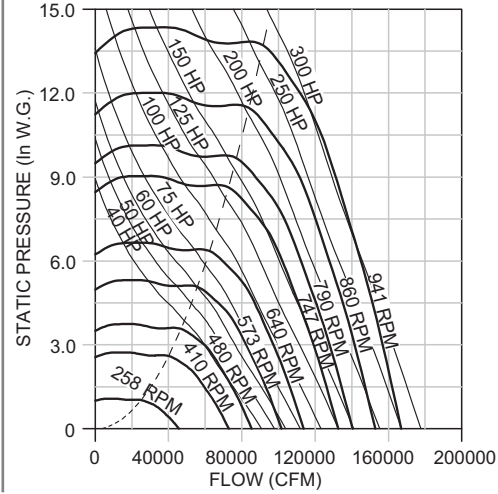
Class I Max. RPM - 588
Class II Max. RPM - 768
Class III Max. RPM - 967



660 CF

Wheel Diameter = 66"
 Wheel Type = Flat Blade
 Tip Speed (FPM) = 17.28 x RPM
 Max. BHP = 374 (RPM/1000)³
 Inlet Area = 26.15 Sq. Ft.
 Outlet Area = 25.28 Sq. Ft.
 Outlet Velocity (FPM) = CFM/25.28

Class I Max. RPM - 573
Class II Max. RPM - 747
Class III Max. RPM - 941



660 CA SWSI

CFM	OV	1.000 SP		1.500 SP		2.000 SP		3.000 SP		4.000 SP		5.000 SP		6.000 SP		8.000 SP		10.000 SP		12.000 SP	
		RPM	BHP	RPM	BHP	RPM	BHP	RPM	BHP	RPM	BHP	RPM	BHP	RPM	BHP	RPM	BHP	RPM	BHP	RPM	BHP
18000	711	253	4.00																		
27000	1067	265	5.49	317	8.48	360	11.80														
36000	1423	291	7.78	332	11.00	371	14.70	445	22.90	505	31.80										
45000	1779	320	11.00	359	14.70	393	18.60	456	27.50	518	37.40	572	48.10	620	59.30						
54000	2135	356	15.20	387	19.50	420	23.90	478	33.30	530	43.90	583	55.30	634	67.90	719	93.70				
63000	2491	396	20.60	423	25.60	450	30.70	505	40.80	554	51.90	598	63.90	644	77.10	732	105.0	808	135.0	876	167.0
72000	2847	438	27.30	462	33.00	486	38.90	533	50.20	581	61.90	624	74.50	663	88.00	742	117.0	821	150.0	890	183.0
81000	3203	481	35.60	503	41.90	524	48.30	566	61.30	608	74.00	651	87.30	690	101.0	760	132.0	830	165.0	901	201.0
90000	3559	525	45.50	545	52.50	564	59.50	602	73.80	639	87.90	678	102.0	717	117.0	786	149.0	848	183.0	912	220.0
99000	3915	571	57.90	588	65.00	606	72.70	641	88.50	675	104.0	709	120.0	744	136.0	814	169.0	874	204.0	930	241.0
108000	4271	616	71.90	632	79.70	648	87.70	681	105.0	713	122.0	744	140.0	775	157.0	840	191.0	902	228.0	956	267.0
117000	4627	663	88.90	677	96.90	692	106.0	722	124.0	752	143.0	781	161.0	809	179.0	868	217.0	928	255.0		
126000	4983	709	108.0	723	117.0	737	126.0	764	145.0	792	165.0	820	185.0	846	205.0	900	245.0	955	285.0		
135000	5339	757	131.0	769	140.0	782	149.0	807	169.0	833	190.0	859	212.0	885	234.0	934	276.0				
144000	5695	803	155.0	815	165.0	827	175.0	851	196.0	875	218.0	900	241.0	924	264.0						
153000	6051	850	183.0	862	194.0	873	205.0	896	227.0	918	249.0	942	274.0	964	298.0						
162000	6407	898	215.0	909	227.0	920	238.0	940	260.0	962	285.0										
171000	6763	946	251.0	956	262.0	965	273.0														

660 CF

CFM	OV	1.000 SP		1.500 SP		2.000 SP		3.000 SP		4.000 SP		5.000 SP		6.000 SP		8.000 SP		10.000 SP		12.000 SP	
		RPM	BHP	RPM	BHP	RPM	BHP	RPM	BHP	RPM	BHP	RPM	BHP	RPM	BHP	RPM	BHP	RPM	BHP	RPM	BHP
27000	1067	258	5.73																		
36000	1423	282	8.21	323	11.50	360	15.30														
45000	1779	319	12.00	349	15.60	382	19.50	443	28.60												
54000	2135	359	16.80	386	21.40	411	25.70	465	34.90	516	45.80										
63000	2491	402	23.00	426	28.30	448	33.40	491	43.40	538	54.20	583	66.80	625	80.20						
72000	2847	447	30.90	468	36.80	488	42.60	527	54.40	565	66.00	606	78.20	646	91.80	721	123.0				
81000	3203	493	40.60	511	46.90	530	53.60	566	67.00	599	79.90	633	93.00	670	107.0	741	138.0	807	172.0		
90000	3559	540	52.40	556	59.20	573	66.50	606	81.30	638	96.30	667	110.0	698	125.0	764	156.0	827	191.0	886	229.0
99000	3915	588	66.60	603	74.20	617	81.60	648	98.00	678	115.0	706	131.0	733	147.0	790	179.0	850	213.0	907	252.0
108000	4271	636	83.40	649	91.20	663	99.60	691	117.0	719	135.0	746	153.0	771	170.0	821	205.0	875	241.0	930	279.0
117000	4627	685	103.0	697	112.0	710	121.0	735	139.0	761	158.0	787	178.0	811	197.0	857	230.0	904	272.0		
126000	4983	733	125.0	745	135.0	757	145.0	780	164.0	804	184.0	828	205.0	852	226.0	896	267.0	939	308.0		
135000	5339	783	152.0	794	162.0	805	172.0	826	192.0	848	213.0	871	236.0	893	258.0	936	303.0				
144000	5695	833	182.0	843	192.0	852	202.0	873	224.0	893	246.0	914	269.0	935	293.0						
153000	6051	883	216.0	891	225.0	901	237.0	920	260.0	939	283.0										
162000	6407	932	253.0	940	263.0																

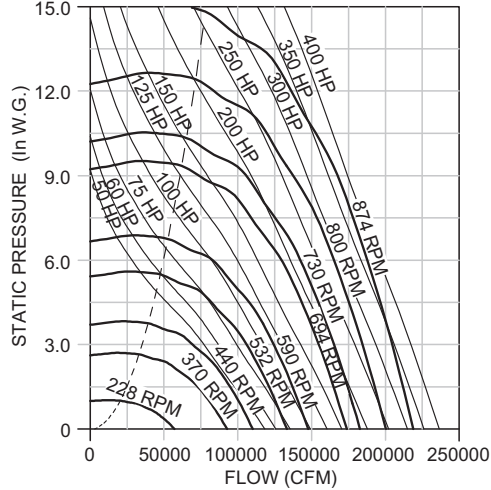
Performance certified is for installation type B: Free inlet, Ducted outlet. Power rating (BHP) does not include transmission losses. Performance ratings do not include the effects of appurtenances (accessories).

CA SWSI & CF Size 730 Data

730 CA SWSI

Wheel Diameter = 73"
 Wheel Type = Airfoil
 Tip Speed (FPM) = 19.11 x RPM
 Max. BHP = 561 (RPM/1000)³
 Inlet Area = 31.95 Sq. Ft.
 Outlet Area = 30.92 Sq. Ft.
 Outlet Velocity (FPM) = CFM/30.92

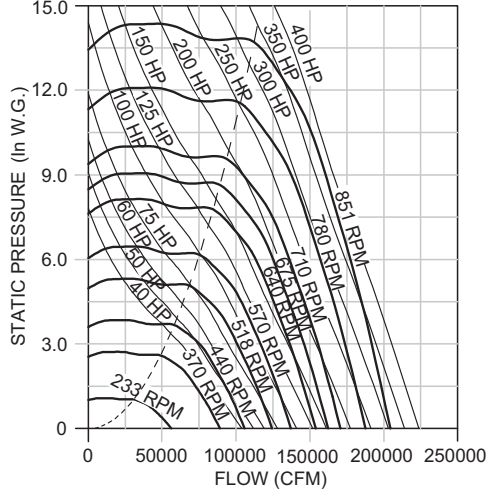
Class I Max. RPM - 532
Class II Max. RPM - 694
Class III Max. RPM - 874



730 CF

Wheel Diameter = 73"
 Wheel Type = Flat Blade
 Tip Speed (FPM) = 19.11 x RPM
 Max. BHP = 618 (RPM/1000)³
 Inlet Area = 31.95 Sq. Ft.
 Outlet Area = 30.92 Sq. Ft.
 Outlet Velocity (FPM) = CFM/30.92

Class I Max. RPM - 518
Class II Max. RPM - 675
Class III Max. RPM - 851



730 CA SWSI

CFM	OV	1.000 SP		1.500 SP		2.000 SP		3.000 SP		4.000 SP		5.000 SP		6.000 SP		8.000 SP		10.000 SP		12.000 SP	
		RPM	BHP	RPM	BHP	RPM	BHP	RPM	BHP	RPM	BHP	RPM	BHP	RPM	BHP	RPM	BHP	RPM	BHP	RPM	BHP
22000	711	228	4.84																		
33000	1067	239	6.66	286	10.30	325	14.30														
44000	1422	263	9.51	300	13.50	335	17.90	402	27.90	457	39.00										
55000	1778	289	13.50	324	17.90	355	22.70	412	33.60	469	45.90	517	58.80	560	72.30						
66000	2134	322	18.70	350	23.90	380	29.30	432	40.70	479	53.60	527	67.60	573	82.90	650	115.0				
77000	2489	358	25.20	382	31.20	406	37.30	457	50.10	501	63.60	541	78.40	582	94.20	662	129.0	730	165.0	792	204.0
88000	2845	395	33.20	418	40.50	439	47.40	481	61.10	525	75.60	564	91.10	599	107.0	671	144.0	742	183.0	804	224.0
99000	3201	435	43.60	454	51.10	474	59.20	511	74.70	550	90.70	589	107.0	624	124.0	687	161.0	751	202.0	815	246.0
110000	3557	475	55.90	492	64.00	510	72.80	544	90.20	578	108.0	613	125.0	648	143.0	710	181.0	766	223.0	824	269.0
121000	3912	516	70.70	531	79.30	547	88.60	579	108.0	610	127.0	641	147.0	673	166.0	735	206.0	790	249.0	840	295.0
132000	4268	557	88.00	571	97.30	586	108.0	615	128.0	644	149.0	672	170.0	700	191.0	759	234.0	815	278.0	864	326.0
143000	4624	599	109.0	612	119.0	625	129.0	652	151.0	680	174.0	706	197.0	731	219.0	785	265.0	839	312.0		
154000	4979	641	132.0	653	143.0	666	154.0	691	178.0	716	202.0	741	227.0	765	251.0	813	299.0	863	348.0		
165000	5335	683	159.0	695	171.0	706	182.0	729	206.0	753	232.0	776	258.0	800	286.0	844	337.0				
176000	5691	726	190.0	736	201.0	747	214.0	769	240.0	791	267.0	813	295.0	835	323.0						
187000	6047	768	224.0	778	236.0	789	250.0	809	277.0	830	305.0	851	335.0	871	364.0						
198000	6402	811	263.0	821	276.0	831	290.0	850	318.0	869	347.0										
209000	6758	855	307.0	864	321.0	872	334.0														

730 CF

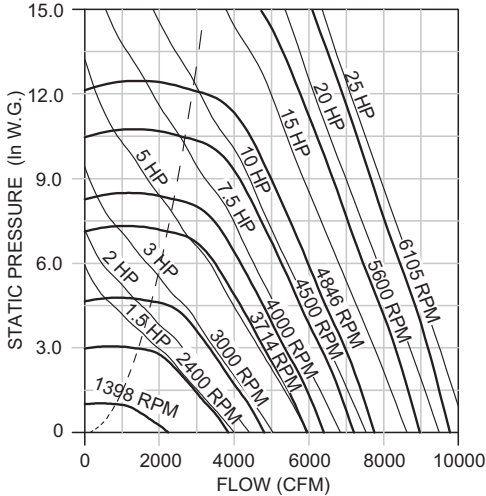
CFM	OV	1.000 SP		1.500 SP		2.000 SP		3.000 SP		4.000 SP		5.000 SP		6.000 SP		8.000 SP		10.000 SP		12.000 SP	
		RPM	BHP	RPM	BHP	RPM	BHP	RPM	BHP	RPM	BHP	RPM	BHP	RPM	BHP	RPM	BHP	RPM	BHP	RPM	BHP
33000	1067	233	6.98																		
44000	1422	255	10.00	292	14.00	326	18.80														
55000	1778	288	14.70	315	19.00	345	23.80	400	34.90												
66000	2134	325	20.70	348	25.90	371	31.30	420	42.50	466	55.80										
77000	2489	363	28.10	385	34.60	405	40.80	444	53.20	487	66.60	527	81.60	565	98.00						
88000	2845	404	37.70	423	44.90	441	52.00	476	66.40	510	80.40	548	95.70	584	112.0	651	149.0				
99000	3201	445	49.40	462	57.30	479	65.50	511	81.70	541	97.50	572	114.0	605	130.0	669	168.0	729	210.0		
110000	3557	488	64.00	503	72.60	518	81.40	548	99.50	576	117.0	603	135.0	631	153.0	690	190.0	747	233.0	801	280.0
121000	3912	531	81.30	544	90.30	558	100.0	585	119.0	612	140.0	638	160.0	662	179.0	714	219.0	768	261.0	819	307.0
132000	4268	575	102.0	587	112.0	599	122.0	624	143.0	649	165.0	674	187.0	697	208.0	742	250.0	790	294.0	840	340.0
143000	4624	619	126.0	630	137.0	641	147.0	664	170.0	688	194.0	711	217.0	733	241.0	775	287.0	817	333.0		
154000	4979	662	153.0	673	165.0	684	177.0	705	200.0	726	225.0	748	250.0	769	275.0	810	327.0	848	375.0		
165000	5335	707	185.0	717	197.0	727	210.0	746	234.0	766	260.0	787	288.0	807	315.0	846	370.0				
176000	5691	752	222.0	761	234.0	770	247.0	789	274.0	807	301.0	826	329.0	845	358.0						
187000	6047	797	263.0	805	275.0	814	290.0	831	317.0	848	345.0										
198000	6402	842	309.0	850	322.0																

Performance certified is for installation type B: Free inlet, Ducted outlet. Power rating (BHP) does not include transmission losses. Performance ratings do not include the effects of appurtenances (accessories).

120 CA DWDI & CAF-DW

Wheel Diameter = 12"
Wheel Type = Airfoil
Tip Speed (FPM) = 3.14 x RPM
Max. BHP = .10 (RPM/1000)³
Inlet Area = 1.18 Sq. Ft.
Outlet Area = 1.49 Sq. Ft.
Outlet Velocity (FPM) = CFM/1.49

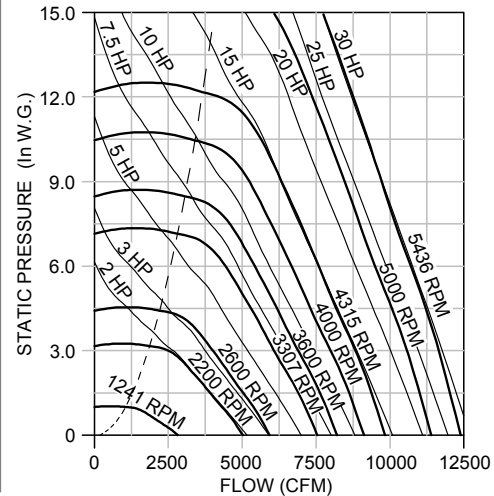
Class I Max. RPM - 3714
Class II Max. RPM - 4846
Class III Max. RPM - 6105



135 CA DWDI & CAF-DW

Wheel Diameter = 13.5"
Wheel Type = Airfoil
Tip Speed (FPM) = 3.53 x RPM
Max. BHP = .19 (RPM/1000)³
Inlet Area = 2.24 Sq. Ft.
Outlet Area = 1.89 Sq. Ft.
Outlet Velocity (FPM) = CFM/1.89

Class I Max. RPM - 3307
Class II Max. RPM - 4315
Class III Max. RPM - 5436



120 CA DWDI & CAF-DW

CFM	OV	1.000 SP		1.500 SP		2.000 SP		3.000 SP		4.000 SP		5.000 SP		6.000 SP		8.000 SP		10.000 SP		12.000 SP		
		RPM	BHP	RPM	BHP	RPM	BHP	RPM	BHP	RPM	BHP	RPM	BHP	RPM	BHP	RPM	BHP	RPM	BHP	RPM	BHP	
900	604	1398	.24																			
1400	939	1509	.35	1752	.53	1988	.74															
1900	1275	1722	.53	1922	.73	2105	.94	2461	1.47	2803	2.02											
2400	1610	1959	.78	2142	1.03	2308	1.28	2604	1.79	2888	2.41	3168	3.11	3440	3.81							
2900	1946	2213	1.11	2380	1.40	2533	1.70	2809	2.30	3056	2.91	3293	3.60	3527	4.38	3987	6.08	4424	7.77			
3400	2281	2470	1.54	2633	1.87	2774	2.21	3032	2.91	3267	3.62	3481	4.33	3685	5.08	4086	6.83	4481	8.81	4866	10.80	
3900	2617	2733	2.09	2889	2.46	3027	2.85	3268	3.63	3489	4.44	3695	5.25	3887	6.06	4245	7.75	4595	9.74	4942	12.00	
4400	2953	3008	2.77	3148	3.19	3284	3.62	3516	4.48	3723	5.38	3919	6.29	4104	7.21	4444	9.04	4761	10.90	5072	13.10	
4900	3288	3292	3.61	3415	4.07	3541	4.54	3771	5.50	3969	6.47	4153	7.46	4330	8.48	4660	10.50	4960	12.60	5246	14.70	
5400	3624	3583	4.62	3690	5.11	3804	5.63	4027	6.67	4222	7.73	4398	8.81	4566	9.91	4882	12.20	5175	14.40	5448	16.70	
5900	3959	3878	5.83	3974	6.36	4073	6.89	4283	8.03	4479	9.190	4650	10.30	4810	11.50	5113	14.00	5396	16.40	5663	18.90	
6400	4295	4175	7.24	4263	7.80	4353	8.38	4545	9.60	4734	10.80	4906	12.10	5062	13.40	5352	15.90	5624	18.60	5882	21.30	
6900	4630	4476	8.88	4554	9.47	4639	10.10	4813	11.40	4992	12.70	5163	14.10	5318	15.40	5598	18.20	5859	21.00			
7400	4966	4779	10.80	4854	11.40	4929	12.10	5087	13.40	5254	14.80	5419	16.30	5574	17.70	5850	20.60	6103	23.60			
7900	5302	5080	12.90	5150	13.60	5220	14.30	5365	15.70	5520	17.20	5678	18.70	5830	20.20							
8400	5637	5385	15.30	5451	16.00	5518	16.80	5652	18.30	5792	19.80	5941	21.40	6087	23.00							
8900	5973	5694	18.10	5755	18.80	5815	19.60	5940	21.10	6072	22.80											
9400	6308	6002	21.10	6056	21.90																	

135 CA DWDI & CAF-DW

CFM	OV	1.000 SP		1.500 SP		2.000 SP		3.000 SP		4.000 SP		5.000 SP		6.000 SP		8.000 SP		10.000 SP		12.000 SP		
		RPM	BHP	RPM	BHP	RPM	BHP	RPM	BHP	RPM	BHP	RPM	BHP	RPM	BHP	RPM	BHP	RPM	BHP	RPM	BHP	
1100	582	1241	.30																			
1700	899	1323	.42	1547	.66	1762	.90															
2300	1216	1498	.63	1678	.87	1846	1.14	2176	1.80	2486	2.47											
2900	1534	1694	.91	1860	1.21	2010	1.51	2280	2.16	2544	2.95	2802	3.80	3049	4.64							
3500	1851	1906	1.28	2057	1.63	2196	1.99	2446	2.72	2671	3.48	2890	4.37	3108	5.37	3531	7.41	3924	9.48			
4100	2169	2122	1.76	2268	2.16	2395	2.57	2630	3.42	2842	4.28	3036	5.14	3225	6.10	3597	8.34	3962	10.70	4312	13.10	
4700	2486	2342	2.37	2484	2.82	2606	3.28	2825	4.24	3026	5.21	3212	6.19	3385	7.17	3716	9.33	4041	11.90	4362	14.60	
5300	2804	2568	3.11	2700	3.62	2822	4.14	3030	5.19	3220	6.28	3398	7.39	3565	8.49	3872	10.70	4165	13.10	4454	15.90	
5900	3121	2805	4.04	2921	4.59	3038	5.16	3244	6.32	3422	7.50	3591	8.71	3752	9.94	4049	12.40	4323	14.90	4585	17.60	
6500	3439	3047	5.14	3149	5.74	3256	6.36	3460	7.63	3634	8.92	3793	10.20	3946	11.60	4234	14.30	4498	17.00	4745	19.70	
7100	3756	3293	6.45	3384	7.09	3482	7.77	3675	9.14	3849	10.50	4003	11.90	4148	13.40	4424	16.30	4682	19.30	4921	22.20	
7700	4074	3545	8.01	3626	8.68	3713	9.40	3894	10.90	4064	12.40	4217	13.90	4357	15.40	4621	18.50	4870	21.70	5104	25.00	
8300	4391	3794	9.77	3872	10.50	3949	11.30	4115	12.80	4281	14.40	4433	16.10	4571	17.70	4825	21.00	5064	24.40	5292	27.90	
8900	4708	4050	11.80	4119	12.60	4190	13.40	4343	15.10	4499	16.80	4650	18.50	4787	20.20	5035	23.80	5265	27.40			
9500	5026	4305	14.20	4370	15.00	4437	15.80	4575	17.60	4721	19.40	4866	21.20	5003	23.10	5248	26.80					
10100	5343	4558	16.80	4619	17.60	4681	18.50	4810	20.40	4947	22.30	5085	24.20	5219	26.20							
10700	5661	4816	19.70	4875	20.70	4934	21.60	5052	23.50	5176	25.50	5307	27.50									
11300	5978	5077	23.10	5131	24.00	5184	25.00	5296	27.00	5412	29.10											
11900	6296	5336	26.80	5384	27.70	5434	28.70															

Performance certified is for installation type B: Free inlet, Ducted outlet. Power rating (BHP) does not include transmission losses. Performance ratings do not include the effects of appurtenances (accessories).

CA DWI & CAF-DW Size 150 - 165 Data

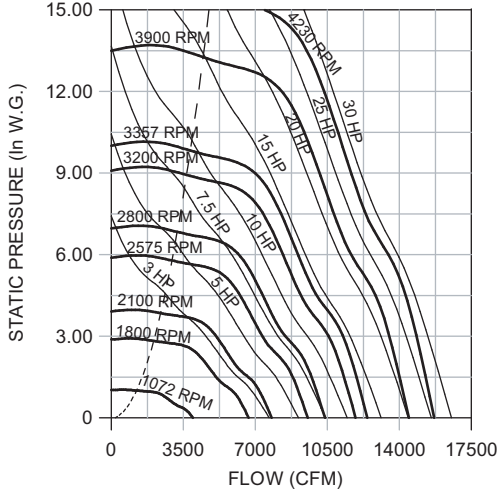
150 CA DWI & CAF-DW

Wheel Diameter = 15"
 Wheel Type = Airfoil
 Tip Speed (FPM) = 3.93 x RPM
 Max. BHP = .37 (RPM/1000)³
 Inlet Area = 2.78 Sq. Ft.
 Outlet Area = 2.33 Sq. Ft.
 Outlet Velocity (FPM) = CFM/2.33

Class I Max. RPM - 2575

Class II Max. RPM - 3357

Class III Max. RPM - 4230



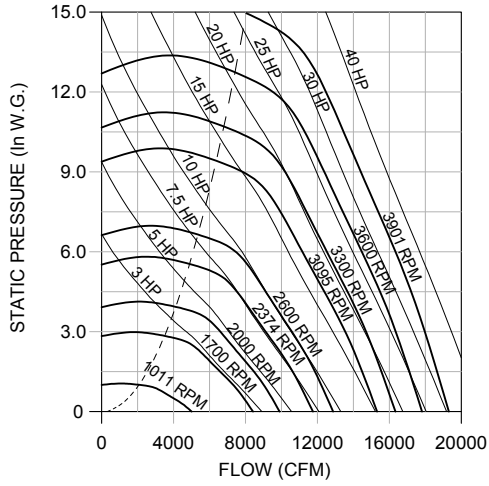
165 CA DWI & CAF-DW

Wheel Diameter = 16.5"
 Wheel Type = Airfoil
 Tip Speed (FPM) = 4.32 x RPM
 Max. BHP = .57 (RPM/1000)³
 Inlet Area = 3.34 Sq. Ft.
 Outlet Area = 2.82 Sq. Ft.
 Outlet Velocity (FPM) = CFM/2.82

Class I Max. RPM - 2374

Class II Max. RPM - 3095

Class III Max. RPM - 3901



150 CA DWI & CAF-DW

CFM	OV	1.000 SP		1.500 SP		2.000 SP		3.000 SP		4.000 SP		5.000 SP		6.000 SP		8.000 SP		10.000 SP		12.000 SP	
		RPM	BHP	RPM	BHP	RPM	BHP	RPM	BHP	RPM	BHP	RPM	BHP	RPM	BHP	RPM	BHP	RPM	BHP	RPM	BHP
1250	536	1072	.31																		
2100	901	1101	.45	1330	.71	1527	.99														
2950	1266	1214	.67	1381	.94	1556	1.27	1881	2.01	2159	2.78	2402	3.59								
3800	1630	1392	1.00	1523	1.32	1650	1.66	1918	2.43	2184	3.33	2428	4.31	2650	5.31	3041	7.37				
4650	1995	1571	1.43	1703	1.83	1813	2.22	2021	3.05	2238	3.97	2460	4.99	2674	6.12	3067	8.52	3413	11.00	3724	13.50
5500	2360	1728	1.92	1885	2.46	1995	2.94	2180	3.87	2355	4.84	2536	5.89	2723	7.04	3093	9.59	3437	12.40	3751	15.30
6350	2725	1904	2.56	2046	3.17	2177	3.79	2360	4.88	2517	5.95	2669	7.07	2822	8.24	3144	10.80	3467	13.70	3774	16.90
7200	3090	2104	3.42	2208	4.01	2339	4.73	2544	6.07	2696	7.28	2835	8.50	2969	9.75	3240	12.40	3524	15.30	3810	18.60
8050	3454	2314	4.50	2394	5.09	2496	5.79	2721	7.41	2881	8.83	3014	10.20	3139	11.50	3379	14.30	3622	17.30	3875	20.60
8900	3819	2529	5.82	2597	6.43	2675	7.12	2879	8.83	3062	10.60	3199	12.10	3320	13.60	3543	16.60	3760	19.70	3980	23.10
9750	4184	2746	7.38	2807	8.04	2870	8.72	3036	10.40	3229	12.40	3381	14.20	3505	15.90	3720	19.20	3921	22.50	4119	25.90
10600	4549	2968	9.27	3020	9.93	3077	10.70	3209	12.30	3382	14.40	3553	16.50	3687	18.40	3903	22.00	4096	25.60		
11450	4914	3189	11.40	3238	12.20	3289	12.90	3401	14.60	3542	16.60	3710	18.90	3861	21.20	4088	25.20				
12300	5278	3409	13.90	3456	14.70	3503	15.50	3602	17.20	3719	19.10	3863	21.40	4020	24.00						
13150	5643	3636	16.80	3679	17.60	3721	18.50	3808	20.20	3910	22.20	4031	24.40	4173	27.00						
14000	6008	3863	20.10	3899	20.90	3937	21.70	4022	23.60	4110	25.60	4213	27.80								
14850	6373	4088	23.70	4119	24.50	4160	25.50														

165 CA DWI & CAF-DW

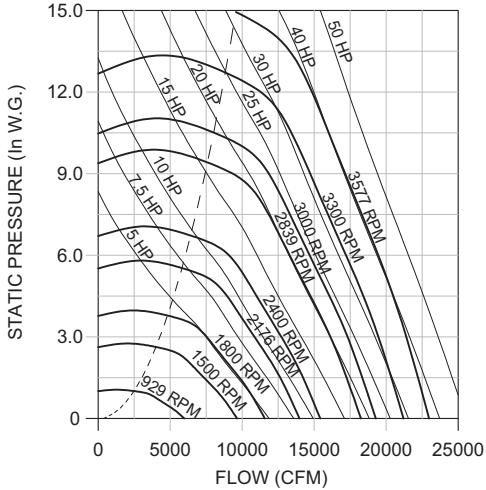
CFM	OV	1.000 SP		1.500 SP		2.000 SP		3.000 SP		4.000 SP		5.000 SP		6.000 SP		8.000 SP		10.000 SP		12.000 SP	
		RPM	BHP	RPM	BHP	RPM	BHP	RPM	BHP	RPM	BHP	RPM	BHP	RPM	BHP	RPM	BHP	RPM	BHP	RPM	BHP
2150	762	1011	.47																		
3100	1099	1067	.66	1258	.99	1433	1.36														
4050	1436	1189	.95	1334	1.31	1480	1.72	1765	2.63												
5000	1773	1330	1.34	1462	1.77	1580	2.20	1816	3.18	2052	4.29	2269	5.46								
5950	2109	1477	1.85	1603	2.35	1714	2.86	1913	3.89	2111	5.05	2312	6.33	2505	7.69						
6900	2446	1631	2.48	1748	3.06	1855	3.64	2043	4.82	2213	6.03	2382	7.33	2556	8.77	2894	11.90	3202	15.10		
7850	2783	1793	3.27	1899	3.92	2000	4.58	2182	5.91	2342	7.25	2492	8.63	2639	10.10	2944	13.30	3242	16.90	3519	20.50
8800	3120	1962	4.24	2056	4.95	2150	5.69	2325	7.18	2480	8.67	2622	10.20	2756	11.70	3021	15.00	3293	18.70	3561	22.60
9750	3457	2137	5.42	2219	6.19	2305	6.99	2471	8.64	2622	10.30	2760	11.90	2888	13.60	3129	17.00	3368	20.70	3615	24.80
10700	3794	2314	6.82	2389	7.66	2466	8.52	2621	10.30	2767	12.10	2901	13.90	3026	15.70	3256	19.40	3473	23.20	3692	27.30
11650	4131	2493	8.46	2562	9.36	2632	10.30	2775	12.20	2915	14.20	3045	16.10	3167	18.10	3392	22.10	3597	26.10	3796	30.30
12600	4468	2677	10.40	2739	11.40	2803	12.30	2934	14.40	3065	16.50	3192	18.60	3311	20.80	3531	25.00	3730	29.30		
13550	4804	2859	12.60	2919	13.60	2977	14.70	3097	16.80	3220	19.10	3341	21.40	3458	23.70	3672	28.30	3869	32.90		
14500	5141	3045	15.20	3098	16.20	3153	17.30	3265	19.60	3379	22.00	3494	24.40	3606	26.90	3816	31.80				
15450	5478	3231	18.00	3282	19.20	3333	20.30	3436	22.70	3542	25.20	3650	27.80	3757	30.40						
16400	5815	3416	21.20	3464	22.40	3512	23.70	3609	26.20	3709	28.80	3810	31.50								
17350	6152	3602	24.80	3649	26.10	3695	27.40	3787	30.10	3878	32.80										
18300	6489	3793	28.90	3836	30.20	3878	31.60														

Performance certified is for installation type B: Free inlet, Ducted outlet. Power rating (BHP) does not include transmission losses. Performance ratings do not include the effects of appurtenances (accessories).

180 CA DWDI & CAF-DW

Wheel Diameter = 18"
 Wheel Type = Airfoil
 Tip Speed (FPM) = 4.71 x RPM
 Max. BHP = .89 (RPM/1000)³
 Inlet Area = 4.05 Sq. Ft.
 Outlet Area = 3.35 Sq. Ft.
 Outlet Velocity (FPM) = CFM/3.35

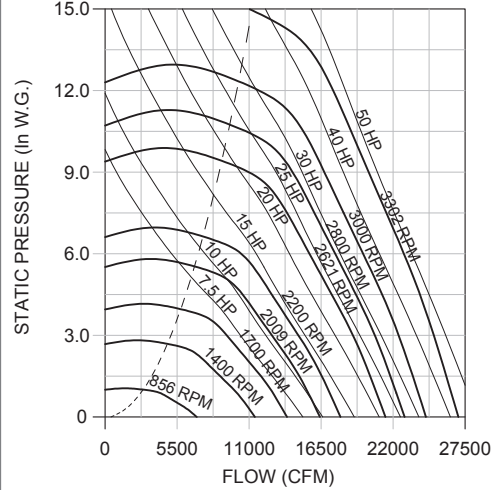
Class I Max. RPM - 2176
Class II Max. RPM - 2839
Class III Max. RPM - 3577



195 CA DWDI & CAF-DW

Wheel Diameter = 19.5"
 Wheel Type = Airfoil
 Tip Speed (FPM) = 5.11 x RPM
 Max. BHP = 1.32 (RPM/1000)³
 Inlet Area = 4.62 Sq. Ft.
 Outlet Area = 3.94 Sq. Ft.
 Outlet Velocity (FPM) = CFM/3.94

Class I Max. RPM - 2009
Class II Max. RPM - 2621
Class III Max. RPM - 3302



180 CA DWDI & CAF-DW

CFM	OV	1.000 SP		1.500 SP		2.000 SP		3.000 SP		4.000 SP		5.000 SP		6.000 SP		8.000 SP		10.000 SP		12.000 SP	
		RPM	BHP	RPM	BHP	RPM	BHP	RPM	BHP	RPM	BHP	RPM	BHP	RPM	BHP	RPM	BHP	RPM	BHP	RPM	BHP
2600	776	929	.57																		
3700	1104	979	.79	1155	1.19	1315	1.62														
4800	1432	1088	1.12	1221	1.55	1357	2.03	1618	3.12												
5900	1761	1214	1.58	1335	2.08	1444	2.59	1663	3.75	1881	5.07	2080	6.45								
7000	2089	1344	2.15	1460	2.74	1563	3.34	1747	4.56	1931	5.93	2118	7.46	2296	9.07						
8100	2417	1481	2.86	1590	3.55	1688	4.23	1861	5.61	2019	7.04	2177	8.60	2339	10.30	2651	14.00	2934	17.80		
9200	2746	1625	3.76	1723	4.52	1817	5.30	1985	6.86	2132	8.42	2271	10.00	2409	11.80	2694	15.60	2969	19.80	3224	24.10
10300	3074	1774	4.84	1862	5.68	1950	6.55	2111	8.29	2255	10.00	2386	11.80	2510	13.60	2757	17.50	3012	21.90	3260	26.50
11400	3402	1929	6.16	2008	7.08	2087	8.01	2241	9.94	2381	11.90	2508	13.80	2626	15.80	2850	19.80	3075	24.20	3305	29.00
12500	3731	2087	7.73	2157	8.71	2229	9.72	2374	11.80	2509	13.90	2634	16.10	2749	18.20	2961	22.50	3163	27.00	3369	31.80
13600	4059	2248	9.58	2311	10.60	2377	11.70	2510	14.00	2640	16.30	2762	18.60	2874	20.90	3081	25.50	3271	30.20	3457	35.10
14700	4388	2410	11.70	2469	12.90	2528	14.00	2651	16.40	2774	18.90	2892	21.40	3002	23.80	3204	28.80	3389	33.90	3563	39.00
15800	4716	2573	14.20	2628	15.40	2682	16.60	2796	19.10	2910	21.70	3024	24.40	3131	27.10	3330	32.50	3511	37.80		
16900	5044	2738	17.00	2788	18.30	2840	19.60	2945	22.20	3052	25.00	3159	27.80	3263	30.70	3458	36.40				
18000	5373	2904	20.20	2952	21.60	2999	22.90	3096	25.70	3196	28.60	3297	31.60	3397	34.60						
19100	5701	3069	23.80	3115	25.20	3160	26.60	3250	29.60	3343	32.60	3439	35.80	3534	39.00						
20200	6029	3233	27.70	3277	29.20	3321	30.80	3407	33.90	3494	37.00										
21300	6358	3403	32.20	3444	33.80	3485	35.40	3564	38.60												

195 CA DWDI & CAF-DW

CFM	OV	1.000 SP		1.500 SP		2.000 SP		3.000 SP		4.000 SP		5.000 SP		6.000 SP		8.000 SP		10.000 SP		12.000 SP	
		RPM	BHP	RPM	BHP	RPM	BHP	RPM	BHP	RPM	BHP	RPM	BHP	RPM	BHP	RPM	BHP	RPM	BHP	RPM	BHP
3000	761	856	.66																		
4300	1091	901	.91	1065	1.38	1212	1.89														
5600	1421	1001	1.31	1125	1.80	1251	2.37	1493	3.65												
6900	1751	1118	1.84	1230	2.42	1331	3.02	1534	4.39	1735	5.93	1919	7.55								
8200	2081	1239	2.51	1346	3.20	1441	3.90	1611	5.34	1782	6.95	1954	8.74	2118	10.60						
9500	2411	1366	3.35	1467	4.16	1558	4.97	1717	6.57	1863	8.26	2009	10.10	2159	12.10	2447	16.40	2708	20.90		
10800	2741	1500	4.41	1591	5.31	1678	6.23	1832	8.05	1968	9.89	2096	11.80	2224	13.80	2486	18.30	2740	23.20	2976	28.30
12100	3071	1639	5.70	1720	6.68	1801	7.70	1950	9.75	2082	11.80	2203	13.90	2317	16.00	2546	20.60	2781	25.70	3010	31.20
13400	3401	1783	7.26	1855	8.33	1929	9.45	2071	11.70	2200	14.00	2317	16.30	2426	18.50	2632	23.30	2840	28.50	3052	34.10
14700	3730	1930	9.12	1994	10.30	2061	11.50	2194	13.90	2319	16.40	2434	18.90	2540	21.40	2735	26.40	2922	31.70	3112	37.50
16000	4060	2079	11.30	2138	12.50	2198	13.80	2321	16.50	2441	19.20	2553	21.90	2657	24.60	2847	30.00	3022	35.60	3193	41.40
17300	4390	2231	13.90	2284	15.20	2339	16.50	2452	19.40	2565	22.30	2674	25.20	2775	28.10	2962	34.00	3132	39.90	3292	45.90
18600	4720	2382	16.80	2433	18.20	2482	19.60	2587	22.60	2692	25.70	2796	28.80	2895	32.00	3079	38.30	3245	44.60		
19900	5050	2535	20.20	2581	21.60	2629	23.20	2725	26.30	2824	29.60	2922	32.90	3018	36.20	3198	43.00				
21200	5380	2690	24.00	2733	25.50	2777	27.10	2866	30.40	2958	33.90	3051	37.40	3143	40.90						
22500	5710	2843	28.20	2885	29.90	2926	31.60	3009	35.00	3095	38.60	3183	42.30	3270	46.10						
23800	6040	2996	32.90	3036	34.70	3076	36.50	3156	40.20	3235	43.90										
25100	6370	3154	38.30	3191	40.10	3229	42.00	3301	45.70												

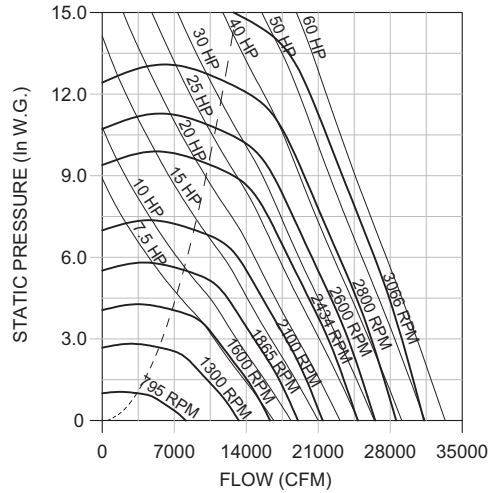
Performance certified is for installation type B: Free inlet, Ducted outlet. Power rating (BHP) does not include transmission losses. Performance ratings do not include the effects of appurtenances (accessories).

CA DWI & CAF-DW Size 210 - 225 Data

210 CA DWI & CAF-DW

Wheel Diameter = 21"
 Wheel Type = Airfoil
 Tip Speed (FPM) = 5.50 x RPM
 Max. BHP = 1.91 (RPM/1000)³
 Inlet Area = 5.38 Sq. Ft.
 Outlet Area = 4.56 Sq. Ft.
 Outlet Velocity (FPM) = CFM/4.56

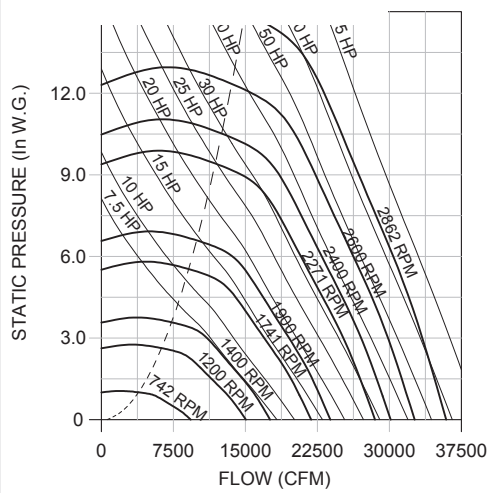
Class I Max. RPM - 1865
Class II Max. RPM - 2434
Class III Max. RPM - 3066



225 CA DWI & CAF-DW

Wheel Diameter = 22.5"
 Wheel Type = Airfoil
 Tip Speed (FPM) = 5.89 x RPM
 Max. BHP = 2.70 (RPM/1000)³
 Inlet Area = 6.04 Sq. Ft.
 Outlet Area = 5.24 Sq. Ft.
 Outlet Velocity (FPM) = CFM/5.24

Class I Max. RPM - 1741
Class II Max. RPM - 2271
Class III Max. RPM - 2862



210 CA DWI & CAF-DW

CFM	OV	1.000 SP		1.500 SP		2.000 SP		3.000 SP		4.000 SP		5.000 SP		6.000 SP		8.000 SP		10.000 SP		12.000 SP	
		RPM	BHP	RPM	BHP	RPM	BHP	RPM	BHP	RPM	BHP	RPM	BHP	RPM	BHP	RPM	BHP	RPM	BHP	RPM	BHP
3500	767	795	.77																		
5000	1096	837	1.06	989	1.61	1126	2.19														
6500	1425	930	1.52	1045	2.10	1162	2.76	1386	4.23												
8000	1754	1038	2.13	1142	2.81	1236	3.51	1424	5.09	1611	6.88	1782	8.76								
9500	2083	1150	2.91	1249	3.71	1337	4.52	1496	6.19	1654	8.05	1814	10.10	1967	12.30						
11000	2412	1267	3.88	1361	4.81	1445	5.74	1593	7.61	1729	9.56	1865	11.70	2004	14.00	2271	19.00	2514	24.20		
12500	2741	1391	5.09	1475	6.13	1556	7.19	1699	9.30	1826	11.40	1945	13.60	2064	16.00	2308	21.20	2544	26.90	2762	32.80
14000	3070	1519	6.57	1594	7.71	1670	8.90	1808	11.30	1931	13.60	2043	16.00	2150	18.50	2362	23.80	2581	29.70	2793	36.00
15500	3399	1652	8.37	1719	9.61	1788	10.90	1920	13.50	2039	16.10	2149	18.80	2250	21.40	2441	26.90	2635	32.90	2832	39.50
17000	3728	1788	10.50	1848	11.80	1910	13.20	2034	16.10	2150	19.00	2256	21.80	2355	24.70	2536	30.50	2710	36.70	2887	43.30
18500	4057	1926	13.00	1980	14.40	2036	15.90	2151	19.00	2262	22.10	2366	25.30	2463	28.40	2639	34.70	2803	41.10	2962	47.80
20000	4385	2065	16.00	2115	17.50	2166	19.00	2272	22.30	2377	25.70	2478	29.10	2572	32.40	2745	39.20	2903	46.00	3053	53.00
21500	4714	2205	19.30	2252	20.90	2298	22.60	2396	26.00	2494	29.60	2591	33.20	2683	36.90	2854	44.20	3008	51.50		
23000	5043	2346	23.10	2390	24.90	2434	26.60	2524	30.30	2615	34.00	2707	37.90	2797	41.80	2963	49.60				
24500	5372	2489	27.50	2530	29.30	2571	31.20	2653	35.00	2739	39.00	2826	43.00	2912	47.20						
26000	5701	2631	32.40	2670	34.30	2708	36.30	2786	40.30	2865	44.40	2948	48.70	3029	53.00						
27500	6030	2772	37.70	2810	39.80	2847	41.90	2921	46.20	2995	50.50										
29000	6359	2918	43.90	2953	46.10	2988	48.30	3056	52.60												

225 CA DWI & CAF-DW

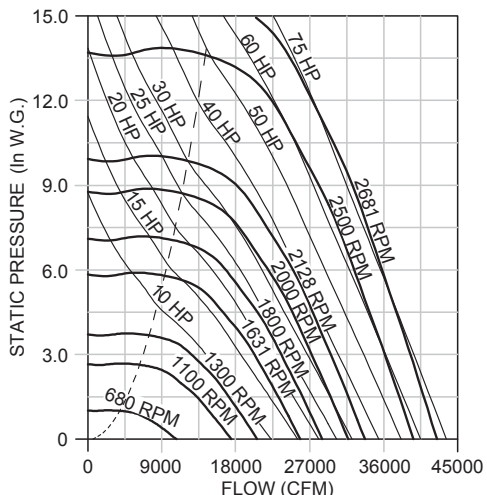
CFM	OV	1.000 SP		1.500 SP		2.000 SP		3.000 SP		4.000 SP		5.000 SP		6.000 SP		8.000 SP		10.000 SP		12.000 SP		
		RPM	BHP	RPM	BHP	RPM	BHP	RPM	BHP	RPM	BHP	RPM	BHP	RPM	BHP	RPM	BHP	RPM	BHP	RPM	BHP	
4000	763	742	.88																			
5800	1106	784	1.24	924	1.86	1052	2.54															
7600	1450	876	1.79	982	2.47	1088	3.22	1296	4.94													
9400	1793	982	2.55	1078	3.34	1165	4.16	1335	5.97	1507	8.05	1666	10.20									
11200	2137	1092	3.51	1184	4.47	1265	5.41	1410	7.35	1553	9.50	1699	11.90	1840	14.40							
13000	2480	1207	4.73	1292	5.82	1371	6.93	1508	9.13	1632	11.40	1754	13.80	1880	16.50	2126	22.30	2352	28.50			
14800	2824	1329	6.26	1406	7.49	1480	8.75	1612	11.20	1730	13.80	1838	16.30	1945	19.10	2165	25.10	2382	31.70	2585	38.60	
16600	3167	1456	8.15	1524	9.50	1592	10.90	1719	13.70	1833	16.50	1937	19.30	2034	22.20	2225	28.30	2422	35.20	2617	42.60	
18400	3511	1587	10.40	1646	11.90	1708	13.40	1829	16.50	1939	19.60	2040	22.70	2134	25.90	2309	32.30	2481	39.20	2659	46.80	
20200	3854	1720	13.20	1774	14.70	1829	16.40	1941	19.70	2048	23.20	2146	26.60	2238	30.00	2405	36.90	2562	44.00	2720	51.70	
22000	4198	1854	16.40	1904	18.10	1954	19.80	2057	23.40	2158	27.10	2254	30.90	2343	34.60	2507	42.10	2657	49.60	2800	57.40	
23800	4541	1991	20.10	2036	21.90	2082	23.80	2176	27.60	2272	31.60	2364	35.60	2451	39.70	2611	47.70	2757	55.80			
25600	4885	2127	24.40	2171	26.40	2213	28.40	2299	32.40	2388	36.60	2476	41.00	2561	45.30	2718	54.00	2861	62.70			
27400	5229	2267	29.40	2306	31.40	2345	33.50	2425	37.80	2507	42.30	2590	46.80	2672	51.50	2825	60.70					
29200	5572	2406	35.00	2443	37.20	2480	39.40	2554	43.90	2630	48.60	2707	53.30	2786	58.30							
31000	5916	2543	41.20	2578	43.50	2613	45.80	2684	50.70	2756	55.60	2828	60.60									
32800	6259	2684	48.30	2718	50.80	2751	53.20	2816	58.20													
34600	6603	2826	56.30	2857	58.80																	

Performance certified is for installation type B: Free inlet, Ducted outlet. Power rating (BHP) does not include transmission losses. Performance ratings do not include the effects of appurtenances (accessories).

245 CA DWDI & CAF-DW

Wheel Diameter = 24.5"
 Wheel Type = Airfoil
 Tip Speed (FPM) = 6.41 x RPM
 Max. BHP = 4.20 (RPM/1000)³
 Inlet Area = 7.28 Sq. Ft.
 Outlet Area = 6.21 Sq. Ft.
 Outlet Velocity (FPM) = CFM/6.21

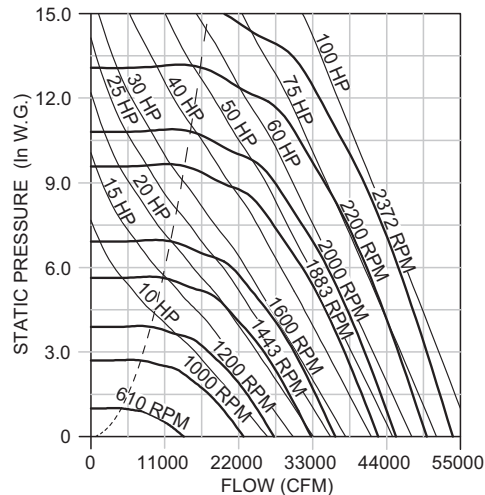
Class I Max. RPM - 1631
Class II Max. RPM - 2128
Class III Max. RPM - 2681



270 CA DWDI & CAF-DW

Wheel Diameter = 27"
 Wheel Type = Airfoil
 Tip Speed (FPM) = 7.07 x RPM
 Max. BHP = 7.15 (RPM/1000)³
 Inlet Area = 8.70 Sq. Ft.
 Outlet Area = 7.54 Sq. Ft.
 Outlet Velocity (FPM) = CFM/7.54

Class I Max. RPM - 1443
Class II Max. RPM - 1883
Class III Max. RPM - 2372



245 CA DWDI & CAF-DW

CFM	OV	1.000 SP		1.500 SP		2.000 SP		3.000 SP		4.000 SP		5.000 SP		6.000 SP		8.000 SP		10.000 SP		12.000 SP	
		RPM	BHP	RPM	BHP	RPM	BHP	RPM	BHP	RPM	BHP	RPM	BHP	RPM	BHP	RPM	BHP	RPM	BHP	RPM	BHP
4100	660	680	1.01																		
6200	998	714	1.37	846	2.12	966	2.98														
8300	1336	791	1.92	898	2.76	999	3.68	1191	5.79	1361	8.12										
10400	1674	879	2.73	978	3.65	1066	4.64	1229	6.90	1386	9.42	1533	12.20	1669	15.10						
12500	2012	983	3.79	1066	4.87	1149	5.96	1297	8.35	1432	11.00	1565	13.90	1694	17.10	1932	23.90				
14600	2351	1094	5.14	1167	6.38	1238	7.64	1379	10.20	1504	13.00	1620	16.10	1735	19.40	1959	26.50	2167	34.40	2360	42.60
16700	2689	1209	6.85	1277	8.23	1340	9.66	1464	12.50	1586	15.50	1696	18.70	1799	22.20	1999	29.60	2196	37.70	2382	46.40
18800	3027	1326	8.95	1390	10.50	1449	12.10	1559	15.30	1671	18.60	1778	21.90	1878	25.50	2060	33.20	2238	41.60	2414	50.60
20900	3365	1446	11.50	1505	13.20	1561	14.90	1664	18.50	1763	22.10	1863	25.70	1960	29.40	2137	37.40	2299	46.10	2460	55.40
23000	3703	1569	14.60	1623	16.40	1676	18.30	1773	22.10	1864	26.10	1954	30.00	2045	34.00	2219	42.30	2375	51.30	2522	60.90
25100	4041	1692	18.20	1743	20.20	1792	22.20	1885	26.30	1971	30.60	2053	34.90	2136	39.20	2302	48.00	2457	57.20	2598	67.10
27200	4380	1816	22.40	1864	24.50	1911	26.70	1999	31.10	2081	35.60	2159	40.30	2234	44.90	2388	54.40	2539	64.00	2680	74.20
29300	4718	1944	27.30	1987	29.50	2031	31.90	2114	36.60	2194	41.40	2268	46.30	2340	51.40	2481	61.50	2623	71.60		
31400	5056	2069	32.80	2112	35.30	2152	37.80	2232	42.80	2308	47.90	2380	53.10	2448	58.40	2580	69.20				
33500	5394	2198	39.20	2236	41.70	2275	44.40	2350	49.70	2423	55.10	2493	60.70	2559	66.20						
35600	5732	2327	46.30	2363	49.00	2400	51.90	2471	57.50	2540	63.20	2607	69.00	2672	74.90						
37700	6070	2454	54.20	2489	57.10	2524	60.10	2591	66.00	2658	72.10										
39800	6409	2582	63.00	2617	66.20	2650	69.30														

270 CA DWDI & CAF-DW

CFM	OV	1.000 SP		1.500 SP		2.000 SP		3.000 SP		4.000 SP		5.000 SP		6.000 SP		8.000 SP		10.000 SP		12.000 SP	
		RPM	BHP	RPM	BHP	RPM	BHP	RPM	BHP	RPM	BHP	RPM	BHP	RPM	BHP	RPM	BHP	RPM	BHP	RPM	BHP
4700	623	610	1.12																		
7400	981	637	1.58	764	2.45	869	3.38														
10100	1339	693	2.25	793	3.21	897	4.33	1076	6.74	1225	9.34										
12800	1697	768	3.19	860	4.32	941	5.50	1102	8.18	1255	11.20	1386	14.30	1505	17.60						
15500	2055	855	4.47	936	5.77	1013	7.13	1148	9.97	1281	13.20	1414	16.70	1535	20.30	1745	28.00	1933	36.20		
18200	2413	951	6.12	1021	7.60	1089	9.11	1219	12.30	1333	15.70	1444	19.30	1560	23.30	1776	31.80	1961	40.50	2129	49.90
20900	2771	1053	8.23	1114	9.870	1175	11.60	1294	15.10	1405	18.90	1504	22.60	1600	26.60	1800	35.70	1991	45.40	2160	55.40
23600	3129	1158	10.80	1214	12.70	1268	14.60	1374	18.40	1479	22.50	1577	26.70	1666	30.90	1837	40.00	2015	50.30	2188	61.20
26300	3488	1266	14.00	1317	16.10	1366	18.10	1462	22.30	1558	26.80	1651	31.30	1740	36.00	1899	45.50	2053	55.80	2212	67.10
29000	3846	1376	17.80	1422	20.00	1468	22.30	1556	26.90	1643	31.60	1729	36.50	1814	41.60	1972	51.90	2113	62.50	2252	73.80
31700	4204	1487	22.30	1530	24.80	1572	27.20	1654	32.20	1734	37.30	1813	42.50	1892	47.80	2045	58.90	2184	70.20	2313	81.90
34400	4562	1600	27.60	1639	30.20	1679	32.90	1755	38.30	1830	43.70	1903	49.30	1976	54.90	2120	66.70	2258	78.90		
37100	4920	1713	33.70	1751	36.60	1787	39.40	1858	45.10	1928	51.00	1997	56.90	2065	62.90	2200	75.30	2332	88.20		
39800	5278	1827	40.80	1861	43.70	1896	46.80	1964	53.00	2029	59.10	2094	65.40	2158	71.80	2284	84.80				
42500	5636	1943	48.80	1975	52.00	2008	55.20	2071	61.70	2133	68.30	2194	75.00	2254	81.70						
45200	5994	2057	57.80	2088	61.10	2118	64.50	2179	71.50	2238	78.50	2296	85.50	2352	92.50						
47900	6352	2172	67.80	2202	71.40	2232	75.10	2288	82.30	2344	89.70										
50600	6710	2289	79.20	2317	83.00	2345	86.80														

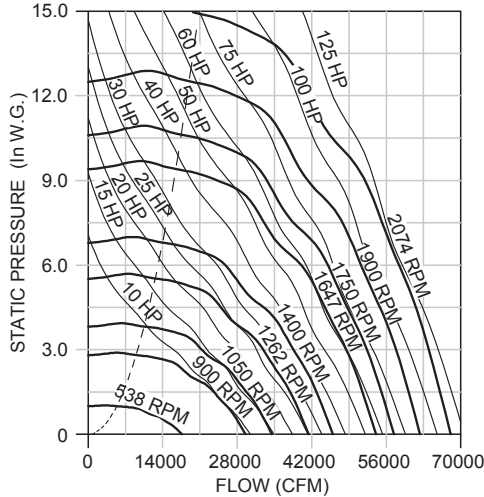
Performance certified is for installation type B: Free inlet, Ducted outlet. Power rating (BHP) does not include transmission losses. Performance ratings do not include the effects of appurtenances (accessories).

CA DWI & CAF-DW Size 300 & 330 Data

300 CA DWI & CAF-DW

Wheel Diameter = 30"
 Wheel Type = Airfoil
 Tip Speed (FPM) = 7.85 x RPM
 Max. BHP = 13.8 (RPM/1000)³
 Inlet Area = 10.71 Sq. Ft.
 Outlet Area = 9.31 Sq. Ft.
 Outlet Velocity (FPM) = CFM/9.31

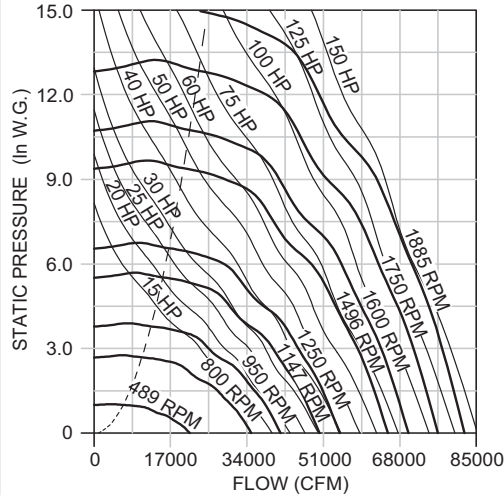
Class I Max. RPM - 1262
Class II Max. RPM - 1647
Class III Max. RPM - 2074



330 CA DWI & CAF-DW

Wheel Diameter = 33"
 Wheel Type = Airfoil
 Tip Speed (FPM) = 8.64 x RPM
 Max. BHP = 22.2 (RPM/1000)³
 Inlet Area = 12.98 Sq. Ft.
 Outlet Area = 11.27 Sq. Ft.
 Outlet Velocity (FPM) = CFM/11.27

Class I Max. RPM - 1147
Class II Max. RPM - 1496
Class III Max. RPM - 1885



300 CA DWI & CAF-DW

CFM	OV	1.000 SP		1.500 SP		2.000 SP		3.000 SP		4.000 SP		5.000 SP		6.000 SP		8.000 SP		10.000 SP		12.000 SP	
		RPM	BHP	RPM	BHP	RPM	BHP	RPM	BHP	RPM	BHP	RPM	BHP	RPM	BHP	RPM	BHP	RPM	BHP	RPM	BHP
5700	612	538	1.35																		
9200	988	556	1.92	668	3.04	764	4.21														
12700	1364	614	2.83	697	3.95	784	5.32	942	8.43	1079	11.70	1202	15.00								
16200	1740	670	3.89	764	5.49	832	6.90	965	10.10	1097	13.90	1216	18.00	1324	22.10	1521	30.60				
19700	2116	746	5.65	818	7.06	900	9.07	1016	12.50	1124	16.30	1237	20.70	1343	25.50	1534	35.50	1705	45.50	1862	55.80
23200	2491	831	7.91	891	9.54	952	11.20	1086	15.80	1183	19.90	1272	24.00	1367	28.80	1554	39.80	1721	51.40	1874	63.20
26700	2867	917	10.50	976	12.80	1027	14.60	1139	18.80	1253	24.30	1338	28.90	1415	33.50	1578	44.30	1742	56.80	1893	70.00
30200	3243	1009	13.70	1061	16.40	1111	18.90	1201	22.90	1306	28.20	1407	34.40	1485	39.80	1623	50.30	1767	62.50	1914	76.40
33700	3619	1106	17.90	1149	20.50	1197	23.60	1281	28.50	1363	33.10	1460	39.40	1551	46.30	1691	58.40	1813	70.10	1942	83.50
37200	3995	1204	22.80	1242	25.60	1283	28.70	1366	35.10	1439	40.00	1515	45.30	1603	52.30	1761	67.20	1881	80.10	1991	93.00
40700	4371	1305	28.90	1338	31.70	1373	34.80	1452	42.20	1523	48.30	1588	53.50	1659	59.50	1819	75.40	1952	91.10	2059	105.0
44200	4747	1407	36.00	1436	38.80	1468	42.10	1537	49.60	1608	57.30	1671	63.50	1731	69.10	1869	83.50	2014	102.0		
47700	5123	1510	44.40	1537	47.40	1565	50.60	1626	58.10	1693	66.80	1756	74.50	1813	80.90	1929	93.90	2065	112.0		
51200	5499	1612	53.80	1637	56.90	1663	60.30	1717	67.80	1779	76.90	1841	86.00	1898	93.90	2002	107.0				
54700	5875	1716	64.70	1740	68.10	1764	71.70	1813	79.20	1868	88.20	1927	98.20	1983	108.0						
58200	6251	1821	77.20	1843	80.70	1864	84.20	1910	92.00	1959	101.0	2013	111.0	2068	122.0						
61700	6627	1926	91.20	1945	94.60	1966	98.40	2008	106.0	2054	116.0										
65200	7003	2030	107.0	2047	110.0	2069	114.0														

330 CA DWI & CAF-DW

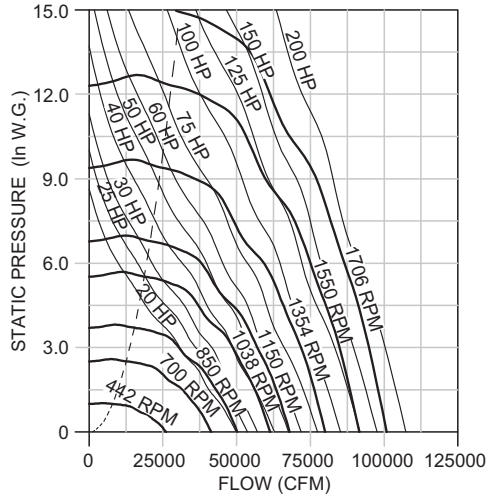
CFM	OV	1.000 SP		1.500 SP		2.000 SP		3.000 SP		4.000 SP		5.000 SP		6.000 SP		8.000 SP		10.000 SP		12.000 SP	
		RPM	BHP	RPM	BHP	RPM	BHP	RPM	BHP	RPM	BHP	RPM	BHP	RPM	BHP	RPM	BHP	RPM	BHP	RPM	BHP
6900	612	489	1.63																		
11100	984	505	2.31	607	3.67	694	5.07														
15300	1357	557	3.40	633	4.76	712	6.40	857	10.20	981	14.10	1093	18.10								
19500	1730	608	4.67	693	6.59	755	8.29	877	12.20	997	16.80	1105	21.70	1204	26.70	1382	36.80				
23700	2102	675	6.73	742	8.47	816	10.90	922	15.10	1021	19.60	1124	25.00	1220	30.70	1394	42.70	1550	54.90	1693	67.30
27900	2475	752	9.44	807	11.40	863	13.40	985	19.00	1073	23.90	1155	28.90	1242	34.70	1412	48.00	1564	61.90	1703	76.20
32100	2848	830	12.50	883	15.30	930	17.40	1033	22.60	1136	29.10	1213	34.70	1284	40.30	1433	53.30	1583	68.40	1720	84.30
36300	3220	912	16.30	960	19.60	1006	22.50	1088	27.30	1185	33.90	1276	41.30	1346	47.70	1472	60.30	1605	75.20	1739	92.00
40500	3593	999	21.20	1039	24.40	1083	28.20	1159	34.00	1236	39.70	1324	47.30	1407	55.60	1533	69.90	1645	84.20	1764	101.0
44700	3966	1088	27.20	1123	30.50	1160	34.20	1236	41.80	1302	47.70	1373	54.20	1454	62.80	1597	80.60	1705	96.00	1806	112.0
48900	4338	1179	34.30	1209	37.60	1242	41.50	1313	50.20	1378	57.60	1438	63.90	1503	71.10	1650	90.50	1769	109.0	1867	126.0
53100	4711	1271	42.80	1298	46.20	1327	50.10	1390	59.10	1455	68.40	1512	75.70	1567	82.50	1695	100.0	1826	122.0		
57300	5084	1363	52.60	1388	56.20	1414	60.10	1470	69.20	1532	79.70	1589	88.90	1640	96.30	1748	112.0	1873	134.0		
61500	5456	1455	63.70	1478	67.50	1502	71.60	1552	80.70	1609	91.70	1666	103.0	1717	112.0	1813	128.0				
65700	5829	1549	76.70	1571	80.80	1593	85.00	1638	94.10	1689	105.0	1742	117.0	1794	128.0						
69900	6202	1644	91.60	1664	95.70	1683	99.80	1726	109.0	1771	120.0	1820	132.0	1871	145.0						
74100	6574	1738	108.0	1756	112.0	1775	117.0	1814	126.0	1856	137.0										
78300	6947	1833	127.0	1848	130.0	1868	136.0														

Performance certified is for installation type B: Free inlet, Ducted outlet. Power rating (BHP) does not include transmission losses. Performance ratings do not include the effects of appurtenances (accessories).

365 CA DWDI & CAF-DW

Wheel Diameter = 36.5"
Wheel Type = Airfoil
Tip Speed (FPM) = 9.56 x RPM
Max. BHP = 36.8 (RPM/1000)³
Inlet Area = 15.96 Sq. Ft.
Outlet Area = 13.79 Sq. Ft.
Outlet Velocity (FPM) = CFM/13.79

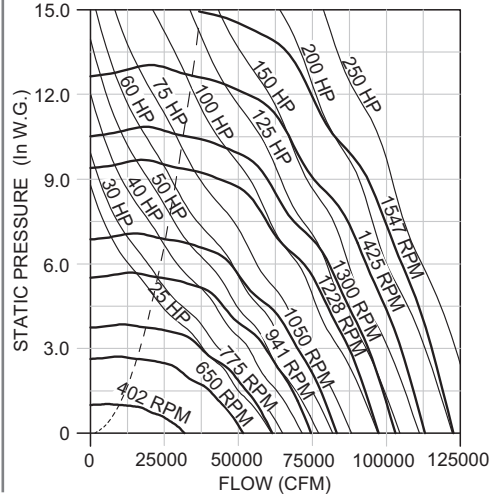
Class I Max. RPM - 1038
Class II Max. RPM - 1354
Class III Max. RPM - 1706



402 CA DWDI & CAF-DW

Wheel Diameter = 40.25"
Wheel Type = Airfoil
Tip Speed (FPM) = 10.54 x RPM
Max. BHP = 59.6 (RPM/1000)³
Inlet Area = 19.44 Sq. Ft.
Outlet Area = 16.77 Sq. Ft.
Outlet Velocity (FPM) = CFM/16.77

Class I Max. RPM - 941
Class II Max. RPM - 1228
Class III Max. RPM - 1547



365 CA DWDI & CAF-DW

CFM	OV	1.000 SP		1.500 SP		2.000 SP		3.000 SP		4.000 SP		5.000 SP		6.000 SP		8.000 SP		10.000 SP		12.000 SP	
		RPM	BHP	RPM	BHP	RPM	BHP	RPM	BHP	RPM	BHP	RPM	BHP	RPM	BHP	RPM	BHP	RPM	BHP	RPM	BHP
8400	609	442	1.99																		
13700	993	457	2.84	549	4.51	628	6.25														
19000	1377	507	4.25	575	5.92	645	7.92	776	12.60	888	17.50	989	22.40								
24300	1762	554	5.87	632	8.30	688	10.40	795	15.10	904	20.90	1001	26.90	1090	33.10	1251	45.70				
29600	2146	619	8.62	677	10.70	743	13.60	841	19.00	927	24.40	1019	31.00	1106	38.10	1262	53.00	1403	68.20	1532	83.60
34900	2530	691	12.10	740	14.60	789	17.00	898	23.90	979	30.10	1051	36.20	1127	43.30	1280	59.60	1417	77.00	1542	94.60
40200	2915	764	16.10	811	19.60	853	22.40	942	28.50	1036	36.70	1108	43.90	1171	50.80	1301	66.50	1435	85.10	1559	105.0
45500	3299	842	21.20	883	25.10	924	28.90	997	35.00	1080	42.70	1164	52.10	1230	60.40	1342	76.10	1458	94.10	1577	115.0
50800	3683	923	27.60	957	31.50	996	36.20	1065	43.80	1130	50.50	1207	59.60	1284	70.20	1401	88.70	1500	106.0	1603	126.0
56100	4068	1007	35.50	1037	39.60	1069	44.20	1137	53.90	1196	61.50	1257	69.30	1326	79.20	1459	102.0	1558	122.0	1648	141.0
61400	4452	1091	44.90	1118	49.10	1146	53.70	1209	64.70	1267	74.30	1320	82.20	1376	90.80	1505	114.0	1617	138.0	1706	160.0
66700	4836	1177	56.10	1200	60.30	1226	65.20	1281	76.30	1339	88.20	1390	97.70	1439	106.0	1548	127.0	1667	154.0		
72000	5221	1264	69.30	1286	73.80	1308	78.50	1356	89.50	1411	103.0	1462	115.0	1509	125.0	1600	143.0				
77300	5605	1349	83.90	1370	88.80	1391	93.90	1435	105.0	1483	118.0	1534	133.0	1581	145.0	1665	165.0				
82600	5989	1438	101.0	1457	106.0	1476	112.0	1515	123.0	1558	136.0	1606	151.0	1652	166.0						
87900	6374	1526	121.0	1543	126.0	1560	131.0	1598	143.0	1636	156.0	1679	171.0								
93200	6758	1614	143.0	1628	148.0	1646	154.0	1680	166.0												

402 CA DWDI & CAF-DW

CFM	OV	1.000 SP		1.500 SP		2.000 SP		3.000 SP		4.000 SP		5.000 SP		6.000 SP		8.000 SP		10.000 SP		12.000 SP	
		RPM	BHP	RPM	BHP	RPM	BHP	RPM	BHP	RPM	BHP	RPM	BHP	RPM	BHP	RPM	BHP	RPM	BHP	RPM	BHP
11000	655	402	2.56																		
17300	1031	417	3.57	500	5.65	571	7.83														
23600	1407	464	5.33	524	7.36	587	9.82	705	15.60	806	21.60	897									
29900	1782	505	7.28	575	10.20	627	12.90	722	18.50	820	25.50	908	33.00	989	40.60	1135	56.10				
36200	2158	563	10.60	615	13.10	675	16.70	764	23.30	842	29.90	924	37.80	1003	46.50	1145	64.70	1273	83.40	1390	102.0
42500	2534	627	14.70	671	17.80	716	20.80	815	29.10	888	36.60	953	44.10	1022	52.70	1161	72.60	1285	93.70	1399	115.0
48800	2909	692	19.50	735	23.80	773	27.10	854	34.60	939	44.50	1004	53.20	1061	61.60	1179	80.70	1301	103.0	1413	127.0
55100	3285	761	25.50	798	30.20	836	34.90	902	42.20	978	51.70	1054	63.10	1113	73.00	1215	92.00	1321	114.0	1429	139.0
61400	3661	833	33.10	864	37.80	899	43.40	962	52.60	1022	60.80	1093	72.10	1162	84.80	1267	107.0	1357	128.0	1451	152.0
67700	4036	907	42.40	934	47.20	964	52.90	1026	64.60	1080	73.70	1136	83.20	1200	95.60	1319	123.0	1408	146.0	1490	170.0
74000	4412	982	53.50	1006	58.40	1032	64.10	1090	77.40	1143	88.80	1191	98.30	1243	109.0	1361	138.0	1461	166.0	1541	192.0
80300	4788	1058	66.50	1079	71.50	1102	77.30	1154	91.10	1206	105.0	1253	117.0	1297	127.0	1398	152.0	1506	185.0		
86600	5163	1134	81.60	1154	87.00	1175	92.90	1220	107.0	1270	122.0	1317	137.0	1359	148.0	1444	171.0	1544	203.0		
92900	5539	1210	98.80	1229	105.0	1248	111.0	1289	124.0	1334	141.0	1380	157.0	1422	172.0	1500	196.0				
99200	5915	1288	119.0	1306	125.0	1324	132.0	1360	145.0	1400	161.0	1444	179.0	1486	197.0						
105500	6290	1367	142.0	1382	148.0	1398	154.0	1433	169.0	1468	184.0	1508	203.0								
111800	6666	1445	167.0	1458	173.0	1474	180.0	1506	195.0	1539	211.0										
118100	7042	1522	195.0	1535	201.0																

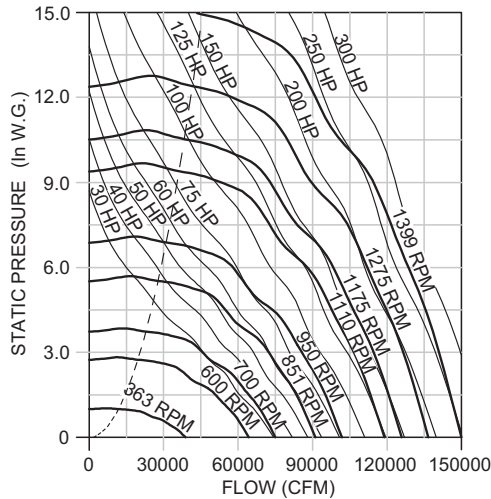
Performance certified is for installation type B: Free inlet, Ducted outlet. Power rating (BHP) does not include transmission losses. Performance ratings do not include the effects of appurtenances (accessories).

CA DWDI & CAF-DW Size 445 & 490 Data

445 CA DWDI & CAF-DW

Wheel Diameter = 44.5"
 Wheel Type = Airfoil
 Tip Speed (FPM) = 11.65 x RPM
 Max. BHP = 99.0 (RPM/1000)³
 Inlet Area = 23.73 Sq. Ft.
 Outlet Area = 20.49 Sq. Ft.
 Outlet Velocity (FPM) = CFM/20.49

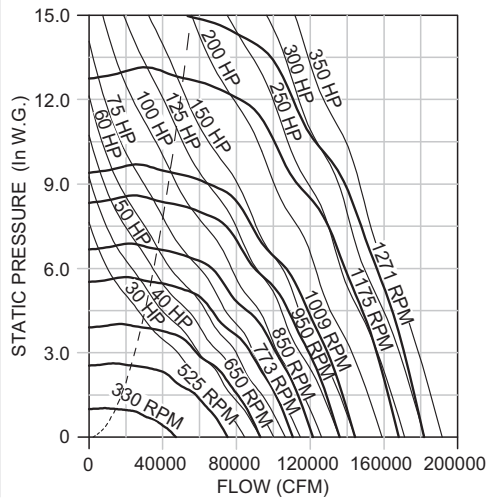
Class I Max. RPM - 851
Class II Max. RPM - 1110
Class III Max. RPM - 1399



490 CA DWDI & CAF-DW

Wheel Diameter = 49"
 Wheel Type = Airfoil
 Tip Speed (FPM) = 12.83 x RPM
 Max. BHP = 160 (RPM/1000)³
 Inlet Area = 28.84 Sq. Ft.
 Outlet Area = 24.85 Sq. Ft.
 Outlet Velocity (FPM) = CFM/24.85

Class I Max. RPM - 773
Class II Max. RPM - 1009
Class III Max. RPM - 1271



445 CA DWDI & CAF-DW

CFM	OV	1.000 SP		1.500 SP		2.000 SP		3.000 SP		4.000 SP		5.000 SP		6.000 SP		8.000 SP		10.000 SP		12.000 SP	
		RPM	BHP	RPM	BHP	RPM	BHP	RPM	BHP	RPM	BHP	RPM	BHP	RPM	BHP	RPM	BHP	RPM	BHP	RPM	BHP
13000	634	363	3.05																		
20600	1005	376	4.29	451	6.77	516	9.41														
28200	1376	415	6.28	471	8.77	529	11.80	636	18.70	728	25.90	811	33.30								
35800	1747	452	8.58	516	12.20	562	15.30	651	22.30	740	30.70	820	39.70	893	48.90	1026	67.60				
43400	2118	503	12.40	552	15.60	607	20.00	686	27.70	758	35.80	834	45.60	906	56.20	1034	78.00	1150	100.0	1256	123.0
51000	2489	560	17.40	600	20.90	642	24.60	732	34.80	797	43.60	858	52.90	922	63.50	1048	87.60	1160	113.0	1264	139.0
58600	2859	617	22.90	657	28.00	691	31.90	767	41.30	844	53.20	901	63.40	953	73.50	1063	97.10	1174	125.0	1276	154.0
66200	3230	678	29.90	714	35.90	747	41.20	808	49.90	880	62.00	947	75.30	1000	87.20	1093	110.0	1191	137.0	1290	168.0
73800	3601	742	38.70	772	44.70	804	51.40	861	62.10	917	72.30	983	86.30	1044	101.0	1138	128.0	1221	154.0	1309	183.0
81400	3972	808	49.60	833	55.40	861	62.40	918	76.40	967	87.10	1019	98.80	1079	114.0	1185	147.0	1265	175.0	1340	203.0
89000	4343	875	62.60	897	68.50	921	75.40	975	91.70	1022	105.0	1067	116.0	1115	129.0	1224	165.0	1313	199.0	1385	229.0
96600	4714	943	77.90	963	84.10	984	91.10	1031	108.0	1079	124.0	1122	138.0	1162	150.0	1257	182.0	1355	222.0		
104200	5085	1011	95.70	1030	102.0	1049	110.0	1090	126.0	1136	145.0	1178	161.0	1216	175.0	1296	204.0	1389	243.0		
111800	5456	1079	116.0	1096	123.0	1114	130.0	1151	147.0	1193	167.0	1235	186.0	1273	203.0	1344	232.0				
119400	5827	1148	139.0	1164	147.0	1181	154.0	1215	171.0	1252	191.0	1292	213.0	1330	233.0	1398	265.0				
127000	6198	1218	166.0	1233	174.0	1247	181.0	1279	199.0	1312	218.0	1349	240.0	1387	264.0						
134600	6569	1288	196.0	1301	203.0	1315	212.0	1344	229.0	1375	249.0										
142200	6939	1357	229.0	1369	236.0	1384	246.0														

490 CA DWDI & CAF-DW

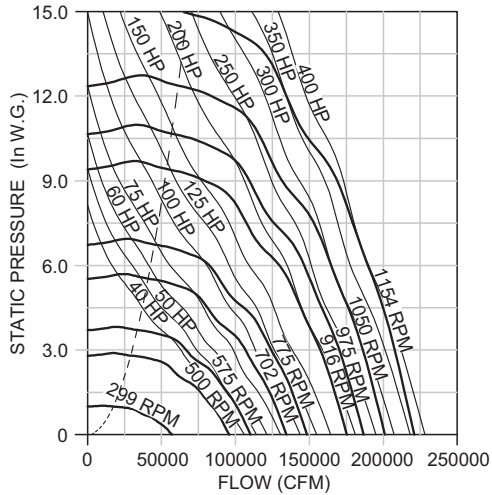
CFM	OV	1.000 SP		1.500 SP		2.000 SP		3.000 SP		4.000 SP		5.000 SP		6.000 SP		8.000 SP		10.000 SP		12.000 SP	
		RPM	BHP	RPM	BHP	RPM	BHP	RPM	BHP	RPM	BHP	RPM	BHP	RPM	BHP	RPM	BHP	RPM	BHP	RPM	BHP
16000	643	330	3.74																		
25300	1018	342	5.25	410	8.280	469	11.50														
34600	1392	379	7.76	429	10.80	481	14.40	578	22.80	662	31.80	737	40.80								
43900	1766	413	10.60	471	15.00	513	18.80	592	27.20	673	37.60	745	48.50	812	59.90	932	82.60				
53200	2140	460	15.40	503	19.10	553	24.50	625	34.00	690	43.90	758	55.70	823	68.50	940	95.40	1045	123.0	1141	151.0
62500	2515	512	21.50	549	26.00	586	30.40	668	42.80	727	53.70	781	64.80	838	77.50	952	107.0	1055	138.0	1148	170.0
71800	2889	565	28.40	601	34.80	632	39.60	699	50.70	769	65.30	822	78.10	869	90.40	967	119.0	1067	152.0	1160	188.0
81100	3263	621	37.10	653	44.40	683	51.00	738	61.80	802	76.10	863	92.50	912	107.0	996	135.0	1083	168.0	1173	205.0
90400	3637	680	48.20	706	55.20	735	63.50	787	77.00	837	89.20	895	106.0	952	125.0	1038	157.0	1112	188.0	1190	224.0
99700	4012	740	61.60	763	68.90	788	77.30	839	94.50	883	108.0	930	122.0	983	140.0	1080	180.0	1154	215.0	1221	250.0
109000	4386	802	77.90	822	85.30	843	93.50	891	113.0	935	130.0	975	144.0	1018	160.0	1115	202.0	1197	244.0	1263	282.0
118300	4760	864	97.00	882	105.0	901	113.0	943	133.0	987	154.0	1025	170.0	1062	186.0	1146	224.0	1235	273.0		
127600	5134	927	119.0	943	127.0	960	136.0	997	156.0	1039	179.0	1077	200.0	1112	217.0	1183	252.0	1265	298.0		
136900	5509	989	144.0	1004	153.0	1020	162.0	1054	182.0	1091	206.0	1129	231.0	1164	252.0	1228	287.0				
146200	5883	1052	173.0	1067	183.0	1082	192.0	1112	212.0	1145	236.0	1181	263.0	1216	288.0						
155500	6257	1117	207.0	1130	216.0	1143	226.0	1171	246.0	1201	270.0	1234	298.0	1268	326.0						
164800	6631	1181	244.0	1192	253.0	1205	263.0	1231	285.0	1259	309.0										
174100	7006	1244	285.0	1255	295.0	1268	306.0														

Performance certified is for installation type B: Free inlet, Ducted outlet. Power rating (BHP) does not include transmission losses. Performance ratings do not include the effects of appurtenances (accessories).

540 CA DWI & CAF-DW

Wheel Diameter = 54"
Wheel Type = Airfoil
Tip Speed (FPM) = 14.14 x RPM
Max. BHP = 261 (RPM/1000)³
Inlet Area = 35.22 Sq. Ft.
Outlet Area = 30.18 Sq. Ft.
Outlet Velocity (FPM) = CFM/30.18

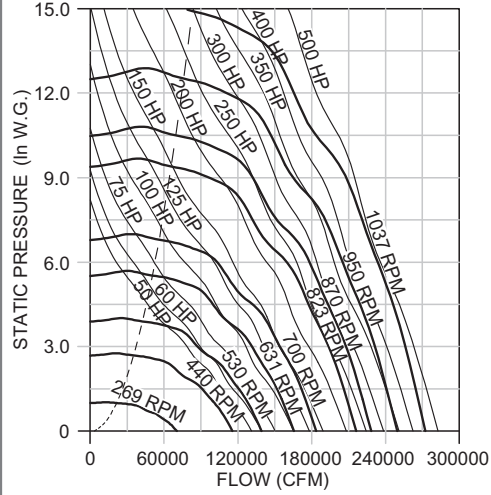
Class I Max. RPM - 702
Class II Max. RPM - 916
Class III Max. RPM - 1154



600 CA DWI & CAF-DW

Wheel Diameter = 60"
Wheel Type = Airfoil
Tip Speed (FPM) = 15.71 x RPM
Max. BHP = 441 (RPM/1000)³
Inlet Area = 43.10 Sq. Ft.
Outlet Area = 37.26 Sq. Ft.
Outlet Velocity (FPM) = CFM/37.26

Class I Max. RPM - 631
Class II Max. RPM - 823
Class III Max. RPM - 1037



540 CA DWI & CAF-DW

CFM	OV	1.000 SP		1.500 SP		2.000 SP		3.000 SP		4.000 SP		5.000 SP		6.000 SP		8.000 SP		10.000 SP		12.000 SP	
		RPM	BHP	RPM	BHP	RPM	BHP	RPM	BHP	RPM	BHP	RPM	BHP	RPM	BHP	RPM	BHP	RPM	BHP	RPM	BHP
19000	629	299	4.45																		
30000	994	309	6.22	371	9.86	425	13.70														
41000	1358	341	9.14	387	12.70	436	17.20	524	27.30	600	37.80	668	48.50								
52000	1722	371	12.40	423	17.60	461	22.10	536	32.50	609	44.80	675	57.90	736	71.30	845	98.30				
63000	2087	411	17.80	452	22.40	498	28.90	562	39.90	623	52.00	687	66.60	746	81.90	852	114.0	947	146.0		
74000	2451	457	24.80	490	29.90	526	35.50	600	50.20	653	62.90	704	76.40	758	92.20	862	127.0	955	165.0	1041	203.0
85000	2816	503	32.70	536	40.00	564	45.50	629	59.60	691	76.60	738	91.30	782	106.0	875	141.0	967	182.0	1050	224.0
96000	3180	552	42.50	582	51.10	610	58.80	661	71.60	722	89.60	776	109.0	819	126.0	897	159.0	979	199.0	1062	244.0
107000	3545	604	55.00	629	63.70	656	73.40	703	88.60	751	104.0	806	125.0	856	146.0	932	184.0	1002	222.0	1076	266.0
118000	3909	657	70.20	678	78.70	702	89.10	749	109.0	790	124.0	834	142.0	885	165.0	970	211.0	1036	252.0	1100	294.0
129000	4274	711	88.40	729	96.90	750	107.0	795	131.0	834	149.0	871	166.0	913	186.0	1004	238.0	1075	286.0	1134	330.0
140000	4638	765	110.0	783	119.0	801	129.0	841	154.0	880	177.0	915	196.0	950	214.0	1031	263.0	1110	320.0		
151000	5003	821	135.0	836	144.0	852	154.0	888	179.0	926	207.0	961	230.0	993	250.0	1060	292.0	1139	352.0		
162000	5367	876	163.0	891	174.0	905	184.0	937	209.0	972	237.0	1007	266.0	1038	289.0	1098	331.0				
173000	5732	931	195.0	945	206.0	959	218.0	988	243.0	1019	271.0	1053	303.0	1084	331.0	1141	378.0				
184000	6096	988	233.0	1001	244.0	1013	255.0	1039	280.0	1068	310.0	1099	343.0	1130	375.0						
195000	6461	1045	275.0	1056	286.0	1067	297.0	1092	324.0	1118	353.0	1146	385.0								
206000	6825	1101	321.0	1111	332.0	1123	346.0	1145	371.0												

600 CA DWI & CAF-DW

CFM	OV	1.000 SP		1.500 SP		2.000 SP		3.000 SP		4.000 SP		5.000 SP		6.000 SP		8.000 SP		10.000 SP		12.000 SP	
		RPM	BHP	RPM	BHP	RPM	BHP	RPM	BHP	RPM	BHP	RPM	BHP	RPM	BHP	RPM	BHP	RPM	BHP	RPM	BHP
23000	617	269	5.43																		
37000	993	278	7.68	334	12.20	382	16.90														
51000	1368	307	11.30	349	15.90	392	21.30	471	33.80	540	47.00	601	60.20								
65000	1744	335	15.60	383	22.20	417	27.80	483	40.50	549	55.90	608	72.20	662	88.70	761	123.0				
79000	2120	373	22.60	410	28.50	450	36.30	509	50.50	562	65.20	619	83.20	672	102.0	767	142.0	853	183.0	931	224.0
93000	2495	416	31.80	446	38.30	477	45.10	544	63.60	592	79.70	637	96.60	684	116.0	777	159.0	861	206.0	937	253.0
107000	2871	459	42.00	489	51.60	514	58.60	570	75.60	627	97.40	669	116.0	708	134.0	789	177.0	871	227.0	946	280.0
121000	3247	505	55.00	531	65.70	556	75.70	601	91.80	653	113.0	704	138.0	743	160.0	812	202.0	884	251.0	957	306.0
135000	3623	554	71.80	575	82.20	599	94.60	641	114.0	682	133.0	730	158.0	776	186.0	846	234.0	907	281.0	971	334.0
149000	3998	603	91.80	622	103.0	642	115.0	684	141.0	720	161.0	758	182.0	802	210.0	881	269.0	941	321.0	996	373.0
163000	4374	653	116.0	670	127.0	687	139.0	726	169.0	762	194.0	795	215.0	830	238.0	910	302.0	976	365.0	1030	421.0
177000	4750	704	145.0	719	156.0	735	169.0	769	199.0	805	230.0	836	255.0	866	277.0	935	335.0	1007	407.0		
191000	5126	756	178.0	769	190.0	783	203.0	814	233.0	847	268.0	879	299.0	907	324.0	965	376.0	1033	447.0		
205000	5501	807	216.0	819	228.0	832	242.0	859	272.0	890	308.0	921	345.0	950	377.0	1002	430.0				
219000	5877	859	260.0	871	274.0	883	288.0	907	317.0	934	353.0	964	394.0	992	431.0						
233000	6253	911	310.0	922	323.0	933	338.0	956	369.0	980	404.0	1007	445.0	1035	488.0						
247000	6629	964	366.0	973	379.0	984	395.0	1005	427.0	1028	463.0										
261000	7004	1016	428.0	1024	441.0	1035	458.0														

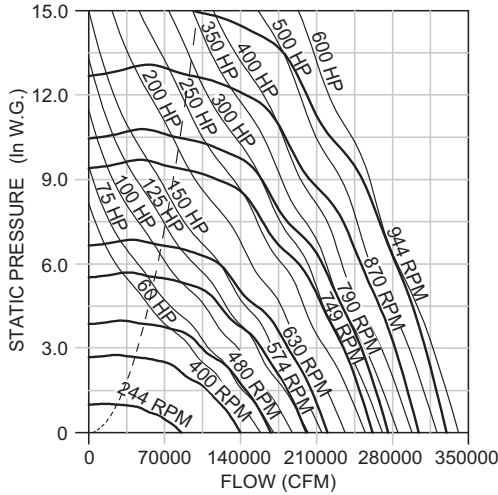
Performance certified is for installation type B: Free inlet, Ducted outlet. Power rating (BHP) does not include transmission losses. Performance ratings do not include the effects of appurtenances (accessories).

CA DWI & CAF-DW Size 660 & 730 Data

660 CA DWI & CAF-DW

Wheel Diameter = 66"
 Wheel Type = Airfoil
 Tip Speed (FPM) = 17.28 x RPM
 Max. BHP = 711 (RPM/1000)³
 Inlet Area = 52.30 Sq. Ft.
 Outlet Area = 45.08 Sq. Ft.
 Outlet Velocity (FPM) = CFM/45.08

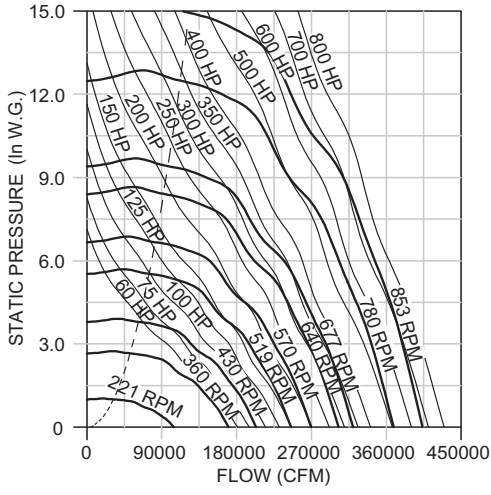
Class I Max. RPM - 574
Class II Max. RPM - 749
Class III Max. RPM - 944



730 CA DWI & CAF-DW

Wheel Diameter = 73"
 Wheel Type = Airfoil
 Tip Speed (FPM) = 19.11 x RPM
 Max. BHP = 1176 (RPM/1000)³
 Inlet Area = 63.90 Sq. Ft.
 Outlet Area = 55.15 Sq. Ft.
 Outlet Velocity (FPM) = CFM/55.15

Class I Max. RPM - 519
Class II Max. RPM - 677
Class III Max. RPM - 853



660 CA DWI & CAF-DW

CFM	OV	1.000 SP		1.500 SP		2.000 SP		3.000 SP		4.000 SP		5.000 SP		6.000 SP		8.000 SP		10.000 SP		12.000 SP	
		RPM	BHP	RPM	BHP	RPM	BHP	RPM	BHP	RPM	BHP	RPM	BHP	RPM	BHP	RPM	BHP	RPM	BHP	RPM	BHP
28000	621	244	6.55																		
44000	976	252	9.15	303	14.50	347	20.20														
60000	1330	276	13.20	315	18.60	355	25.20	428	40.20	490	55.50										
76000	1685	301	18.00	343	25.50	374	32.00	437	47.70	497	65.80	551	85.00	601	105.0						
92000	2040	331	25.20	367	32.50	404	42.00	456	57.90	508	76.40	560	97.50	609	121.0	696	167.0	774	215.0		
108000	2395	368	35.40	396	42.80	426	51.10	486	72.50	530	91.30	573	112.0	618	135.0	704	188.0	780	242.0	850	297.0
124000	2750	405	46.80	432	57.10	455	64.80	511	86.80	560	111.0	598	132.0	635	154.0	713	207.0	789	267.0	857	328.0
140000	3105	443	60.20	468	72.70	491	83.50	534	102.0	586	130.0	629	157.0	663	181.0	729	232.0	798	291.0	866	358.0
156000	3460	484	77.50	505	90.30	528	105.0	566	126.0	608	150.0	654	181.0	693	211.0	755	265.0	814	323.0	877	390.0
172000	3815	526	98.50	544	111.0	564	127.0	603	155.0	637	177.0	676	205.0	718	240.0	786	305.0	840	364.0	893	427.0
188000	4170	569	124.0	585	137.0	602	152.0	639	185.0	672	212.0	703	236.0	740	268.0	814	345.0	870	412.0	919	477.0
204000	4525	612	153.0	627	167.0	642	182.0	676	219.0	708	251.0	737	278.0	767	306.0	836	381.0	900	463.0		
220000	4880	656	188.0	669	202.0	683	218.0	713	254.0	745	294.0	773	326.0	800	354.0	859	421.0	924	509.0		
236000	5235	700	228.0	712	242.0	725	259.0	752	295.0	781	337.0	810	377.0	836	410.0	886	472.0				
252000	5590	744	272.0	755	288.0	767	305.0	792	342.0	819	386.0	847	432.0	872	470.0	919	536.0				
268000	5944	789	324.0	800	341.0	811	359.0	832	394.0	857	438.0	883	487.0	909	534.0						
284000	6299	834	382.0	844	399.0	853	415.0	875	456.0	896	497.0	920	546.0								
300000	6654	879	447.0	888	464.0	897	482.0	916	520.0	937	565.0										
316000	7009	924	518.0	932	535.0	942	556.0														

730 CA DWI & CAF-DW

CFM	OV	1.000 SP		1.500 SP		2.000 SP		3.000 SP		4.000 SP		5.000 SP		6.000 SP		8.000 SP		10.000 SP		12.000 SP	
		RPM	BHP	RPM	BHP	RPM	BHP	RPM	BHP	RPM	BHP	RPM	BHP	RPM	BHP	RPM	BHP	RPM	BHP	RPM	BHP
35000	634	221	8.17																		
55000	997	229	11.50	275	18.20	314	25.10														
75000	1359	252	16.70	286	23.30	322	31.40	387	49.80	444	69.30	494	88.70								
95000	1722	274	22.60	313	32.20	341	40.40	396	59.20	451	82.20	499	106.0	544	130.0	625	180.0				
115000	2085	304	32.50	334	40.80	368	52.70	416	73.10	461	95.20	508	122.0	551	149.0	630	208.0	700	266.0		
135000	2447	337	45.00	362	54.40	389	64.80	443	91.20	483	115.0	520	139.0	561	169.0	638	233.0	706	300.0	770	370.0
155000	2810	372	59.80	396	72.90	417	83.00	465	109.0	511	140.0	545	166.0	578	194.0	647	258.0	715	332.0	777	409.0
175000	3173	407	77.00	430	93.20	450	107.0	488	130.0	533	163.0	573	198.0	605	229.0	663	291.0	724	363.0	785	445.0
195000	3535	446	100.0	464	116.0	484	133.0	519	161.0	554	188.0	595	226.0	632	266.0	688	334.0	740	404.0	795	484.0
215000	3898	484	127.0	500	143.0	518	162.0	553	198.0	583	226.0	616	258.0	654	301.0	717	385.0	765	457.0	812	534.0
235000	4261	524	160.0	538	176.0	553	195.0	586	237.0	616	272.0	643	301.0	674	338.0	741	433.0	794	521.0	838	601.0
255000	4623	564	198.0	577	216.0	591	235.0	620	279.0	650	322.0	675	355.0	701	389.0	761	478.0	820	583.0		
275000	4986	605	244.0	617	262.0	629	281.0	655	325.0	683	375.0	709	417.0	733	453.0	783	531.0	841	639.0		
295000	5349	646	296.0	657	315.0	668	334.0	691	378.0	717	431.0	743	483.0	766	524.0	810	600.0				
315000	5711	687	355.0	697	374.0	707	394.0	728	439.0	752	493.0	777	551.0	800	602.0	842	686.0				
335000	6074	728	421.0	738	443.0	747	463.0	766	508.0	788	562.0	811	622.0	834	682.0						
355000	6436	770	498.0	778	517.0	787	539.0	805	586.0	824	638.0	846	701.0								
375000	6799	812	583.0	819	602.0	828	626.0	844	672.0												

Performance certified is for installation type B: Free inlet, Ducted outlet. Power rating (BHP) does not include transmission losses. Performance ratings do not include the effects of appurtenances (accessories).

120 CA SWSI

RPM	SP	Condition	SOUND POWER re 10-12 WATTS								LwA
			OCTAVE BANDS								
			1	2	3	4	5	6	7	8	
1400	1	Inlet	66	69	68	59	55	52	48	43	63
		Outlet	81	74	72	62	57	54	51	49	67
1790	1	Inlet	70	77	77	70	64	60	59	50	73
		Outlet	84	79	79	71	67	65	60	52	75
	1.5	Inlet	70	76	74	67	61	58	56	50	70
		Outlet	84	79	77	69	64	60	57	53	73
2180	1	Inlet	75	81	82	79	72	68	66	61	80
		Outlet	90	85	84	80	74	73	68	62	82
	2	Inlet	73	79	79	75	68	63	61	57	76
		Outlet	86	82	81	76	70	66	63	58	78
2570	1	Inlet	79	84	85	84	77	73	71	70	84
		Outlet	95	90	87	85	79	77	74	70	87
	2	Inlet	79	82	83	82	75	70	68	66	82
		Outlet	92	87	85	83	77	74	70	67	84
	3	Inlet	77	81	81	79	72	67	65	62	79
		Outlet	92	86	83	80	74	70	66	63	81
2960	1	Inlet	83	88	87	87	81	77	75	76	88
		Outlet	101	93	89	88	84	81	79	76	90
	2	Inlet	84	87	85	86	80	74	72	72	86
		Outlet	99	92	88	87	82	80	76	73	89
	4	Inlet	83	83	82	81	75	70	68	66	82
		Outlet	100	88	85	83	78	74	69	67	85
3350	1	Inlet	86	91	90	90	85	80	79	80	91
		Outlet	104	97	93	91	87	84	82	80	94
	3	Inlet	86	90	88	88	83	77	74	74	89
		Outlet	100	95	91	89	85	82	78	75	91
	5	Inlet	85	86	85	84	79	74	71	69	85
		Outlet	103	93	88	86	82	78	72	70	88
3740	1	Inlet	87	94	94	93	89	84	82	82	94
		Outlet	106	101	96	94	91	87	85	83	97
	3	Inlet	88	93	92	91	87	81	78	78	93
		Outlet	103	99	94	92	89	86	82	79	95
	6	Inlet	87	89	89	88	83	77	74	72	89
		Outlet	105	97	91	89	85	81	76	73	91
4130	1	Inlet	89	96	97	96	92	87	84	85	97
		Outlet	108	104	98	96	93	90	88	86	99
	4	Inlet	90	95	95	93	90	84	80	79	95
		Outlet	105	102	97	95	92	88	85	81	97
	8	Inlet	89	93	92	90	85	80	76	74	91
		Outlet	106	101	93	90	87	83	78	75	93
4520	1	Inlet	91	98	100	98	95	89	87	87	100
		Outlet	110	108	101	99	96	93	90	88	102
	5	Inlet	91	98	98	95	93	87	82	81	97
		Outlet	106	105	99	97	94	90	87	83	100
	10	Inlet	91	97	95	92	87	82	78	76	94
		Outlet	107	104	95	93	89	85	80	76	96
4910	1	Inlet	92	100	102	100	97	92	89	89	102
		Outlet	111	111	103	101	98	95	93	91	104
	6	Inlet	93	100	100	97	95	89	84	83	100
		Outlet	107	108	101	98	96	92	89	85	102
	12	Inlet	93	99	98	94	90	84	80	78	96
		Outlet	108	107	97	95	91	87	83	78	98
5300	2	Inlet	94	101	104	101	100	94	90	89	104
		Outlet	112	113	105	102	100	96	94	92	106
	6	Inlet	94	101	103	100	98	92	87	85	102
		Outlet	109	111	104	101	99	95	92	88	104
	12	Inlet	93	100	98	96	94	88	83	80	98
		Outlet	111	112	100	97	95	91	86	81	101

135 CA SWSI

RPM	SP	Condition	SOUND POWER re 10-12 WATTS								LwA
			OCTAVE BANDS								
			1	2	3	4	5	6	7	8	
1300	1	Inlet	68	71	69	61	56	54	50	44	65
		Outlet	78	75	72	63	59	56	52	47	68
1630	1	Inlet	73	79	80	71	66	62	59	51	75
		Outlet	85	81	82	72	69	66	61	52	77
	1.5	Inlet	72	78	77	68	63	59	57	51	72
		Outlet	83	80	79	70	65	62	58	52	74
1960	1	Inlet	77	83	83	78	72	69	67	62	80
		Outlet	91	86	85	79	75	74	69	63	82
	2	Inlet	75	81	80	74	68	64	63	58	76
		Outlet	87	83	82	76	71	67	64	59	78
2290	1	Inlet	81	86	86	84	77	74	72	71	85
		Outlet	95	90	88	85	80	78	74	71	87
	2	Inlet	81	84	84	81	75	70	69	66	82
		Outlet	92	88	86	83	78	74	71	67	84
	3	Inlet	79	82	82	78	72	68	65	63	80
		Outlet	92	86	83	80	74	70	67	64	82
2620	1	Inlet	85	89	88	87	81	77	76	77	88
		Outlet	100	93	90	88	84	82	79	76	91
	2	Inlet	85	88	86	86	80	75	73	73	86
		Outlet	98	92	89	87	83	80	76	73	89
	4	Inlet	84	84	83	81	75	71	68	67	82
		Outlet	99	88	85	83	78	74	69	67	85
2950	1	Inlet	88	93	91	91	85	80	79	81	92
		Outlet	105	96	93	92	87	85	83	80	94
	3	Inlet	88	91	88	88	82	77	75	75	89
		Outlet	101	94	91	89	85	82	78	76	91
	5	Inlet	87	87	86	85	79	74	71	70	85
		Outlet	104	91	88	86	81	77	72	71	88
3280	1	Inlet	90	95	94	94	88	84	82	83	95
		Outlet	107	100	96	94	90	88	86	83	97
	3	Inlet	90	94	92	92	87	81	78	79	93
		Outlet	105	99	94	93	89	86	82	80	95
3610	6	Inlet	89	90	89	88	82	77	74	73	89
		Outlet	106	95	91	89	85	81	75	73	91
	1	Inlet	91	97	97	96	91	87	85	86	97
		Outlet	109	103	98	97	93	90	88	86	99
3940	4	Inlet	92	96	95	94	89	83	80	80	95
		Outlet	106	101	97	95	91	88	84	81	97
	8	Inlet	92	95	92	89	84	79	76	74	91
		Outlet	107	99	93	90	86	82	78	75	93
4270	1	Inlet	93	99	100	98	94	89	87	88	100
		Outlet	111	107	101	99	96	93	91	88	102
	4	Inlet	93	99	98	96	92	87	83	83	98
		Outlet	108	105	99	97	94	91	87	85	100
	10	Inlet	93	96	94	93	89	83	79	78	94
		Outlet	109	102	96	94	90	86	81	79	96
4600	1	Inlet	94	101	102	100	97	92	89	89	102
		Outlet	112	109	103	101	98	95	93	91	104
	5	Inlet	95	101	100	98	95	89	85	84	100
		Outlet	109	107	101	99	96	93	89	86	102
	12	Inlet	94	98	96	95	91	85	81	79	96
		Outlet	111	106	98	95	92	88	83	80	98
5300	1	Inlet	95	103	104	102	99	94	91	91	104
		Outlet	114	112	105	103	100	97	95	93	106
	6	Inlet	96	102	103	100	97	91	87	86	102
		Outlet	110	109	103	101	98	95	91	88	104
	12	Inlet	95	100	99	96	93	87	82	80	98
		Outlet	112	109	100	97	94	90	85	81	100

The sound power level ratings shown are in decibels, referred to 10-12 watts, calculated per AMCA International Standard 301. The A-weighted sound ratings shown have been calculated per AMCA International Standard 301. Values shown are for inlet L_{W1}, L_{W1A} and outlet L_{W0}, L_{W0A} sound power levels for Installation Type B: free inlet, ducted outlet. Inlet ratings do not include the effects of duct end correction. Outlet ratings include the effects of duct end correction.

150 CA SWSI

RPM	SP	Condition	SOUND POWER re 10-12 WATTS									LwA
			OCTAVE BANDS									
			1	2	3	4	5	6	7	8		
1200	1	Inlet	67	67	67	60	59	58	52	45	65	
		Outlet	70	72	70	63	61	58	52	45	67	
1520	1	Inlet	77	74	79	71	68	69	64	54	76	
		Outlet	80	78	83	72	72	70	63	55	78	
	1.5	Inlet	77	72	77	68	65	66	60	51	73	
		Outlet	77	76	81	70	68	66	59	52	76	
1840	1	Inlet	85	80	84	78	73	76	74	67	82	
		Outlet	89	81	87	78	77	78	72	62	84	
	2	Inlet	85	77	81	75	69	72	68	58	78	
		Outlet	83	79	85	75	73	74	66	59	81	
2160	1	Inlet	87	85	87	84	78	79	79	76	87	
		Outlet	94	86	89	85	81	81	78	72	88	
	2	Inlet	86	83	85	82	76	77	75	68	85	
		Outlet	90	85	87	83	79	79	75	68	86	
	3	Inlet	86	81	82	80	73	74	71	64	82	
		Outlet	87	82	86	82	76	76	71	64	84	
2480	1	Inlet	89	89	89	88	82	81	82	82	91	
		Outlet	99	91	91	91	85	84	82	79	92	
	2	Inlet	88	88	88	87	80	80	81	79	89	
		Outlet	96	90	90	90	84	83	80	75	91	
	4	Inlet	87	84	84	84	76	76	75	70	85	
		Outlet	93	85	87	87	80	78	75	69	87	
2800	1	Inlet	92	92	91	91	84	84	85	86	93	
		Outlet	106	94	93	95	89	87	85	85	96	
	3	Inlet	89	89	88	90	82	82	82	80	91	
		Outlet	101	91	91	92	87	85	82	79	94	
	5	Inlet	90	84	84	86	78	77	77	74	86	
		Outlet	95	86	86	88	81	78	75	71	88	
3120	1	Inlet	95	94	93	93	87	86	86	89	96	
		Outlet	112	98	95	98	92	90	87	88	99	
	3	Inlet	93	92	91	92	85	85	85	87	94	
		Outlet	106	95	94	97	91	88	86	84	98	
	6	Inlet	91	86	87	90	82	81	82	78	91	
		Outlet	107	90	89	94	87	84	82	78	94	
3440	1	Inlet	97	97	96	96	90	89	89	91	98	
		Outlet	115	102	98	100	95	92	90	91	101	
	4	Inlet	94	95	94	94	88	87	87	88	96	
		Outlet	108	98	95	97	94	91	88	86	99	
	8	Inlet	94	90	88	91	85	82	83	80	92	
		Outlet	106	94	91	94	89	85	83	79	95	
3760	1	Inlet	98	100	99	98	93	91	91	93	100	
		Outlet	117	107	100	101	98	94	92	92	104	
	5	Inlet	96	97	96	96	91	88	89	89	98	
		Outlet	109	102	97	99	96	93	90	88	101	
	10	Inlet	96	93	90	92	87	84	85	82	94	
		Outlet	106	97	93	95	91	87	84	81	97	
4080	1	Inlet	100	103	101	100	96	93	93	94	102	
		Outlet	118	110	102	103	100	97	94	94	106	
	6	Inlet	97	99	98	98	94	90	90	90	100	
		Outlet	110	105	99	100	98	95	92	90	103	
	12	Inlet	97	96	92	94	90	86	86	84	96	
		Outlet	107	100	94	96	94	89	86	83	98	
440	12	Inlet	97	99	95	96	94	89	89	88	99	
		Outlet	113	107	96	99	98	93	90	87	102	

165 CA SWSI

RPM	SP	Condition	SOUND POWER re 10-12 WATTS									LwA
			OCTAVE BANDS									
			1	2	3	4	5	6	7	8		
1100	1	Inlet	67	68	67	60	61	59	52	44	66	
		Outlet	70	74	69	64	63	58	52	45	68	
1380	1	Inlet	77	76	79	71	69	69	63	53	76	
		Outlet	80	79	82	73	72	70	63	54	78	
	1.5	Inlet	77	74	76	68	66	66	60	51	73	
		Outlet	77	78	80	70	69	66	59	52	75	
1660	1	Inlet	85	81	85	78	74	76	74	66	83	
		Outlet	89	82	88	79	78	77	71	61	84	
	2	Inlet	84	78	82	75	70	72	67	58	79	
		Outlet	83	80	86	75	74	73	66	58	81	
1940	1	Inlet	88	85	88	83	78	80	80	76	87	
		Outlet	94	86	90	84	82	82	78	71	88	
	3	Inlet	88	80	83	78	72	74	71	64	81	
		Outlet	87	82	87	80	76	76	70	64	84	
2220	1	Inlet	90	89	90	87	82	82	83	82	91	
		Outlet	98	91	92	90	85	84	82	79	92	
	2	Inlet	89	88	89	86	80	81	81	78	89	
		Outlet	96	89	91	89	84	83	80	75	91	
	4	Inlet	88	84	85	83	76	76	75	69	85	
		Outlet	91	85	88	85	79	78	74	69	87	
2500	1	Inlet	92	92	92	90	85	84	85	87	94	
		Outlet	104	94	94	94	89	87	85	85	96	
	3	Inlet	90	89	89	89	82	82	82	80	91	
		Outlet	99	91	91	91	87	85	82	78	93	
	5	Inlet	89	85	86	86	79	79	79	74	88	
		Outlet	97	87	89	90	83	81	78	73	90	
2780	1	Inlet	95	94	93	93	87	87	87	90	96	
		Outlet	111	97	96	98	92	90	87	89	99	
	4	Inlet	91	89	90	91	84	84	84	82	93	
		Outlet	104	93	93	93	90	87	84	81	95	
	6	Inlet	92	86	87	89	82	81	82	78	90	
		Outlet	105	89	90	94	86	83	81	77	94	
3060	1	Inlet	98	97	96	96	89	89	89	92	98	
		Outlet	115	100	98	100	94	92	89	91	102	
	4	Inlet	96	94	93	95	87	87	87	87	96	
		Outlet	108	96	96	98	93	90	88	85	99	
	6	Inlet	94	90	91	94	85	85	86	82	94	
		Outlet	109	94	93	96	90	88	85	82	97	
3340	1	Inlet	100	100	98	98	92	91	91	93	100	
		Outlet	117	104	100	102	97	94	92	93	104	
	4	Inlet	98	98	97	97	91	89	89	91	99	
		Outlet	110	101	98	101	96	93	91	89	102	
	10	Inlet	98	92	90	93	86	84	84	82	94	
		Outlet	105	95	93	95	90	87	83	80	96	
3620	1	Inlet	101	102	101	100	95	93	93	95	102	
		Outlet	119	108	102	103	100	96	94	95	106	
	4	Inlet	100	101	99	99	94	91	91	94	101	
		Outlet	113	104	100	103	99	96	93	91	105	
	10	Inlet	98	95	94	96	90	87	88	85	97	
		Outlet	113	100	95	99	95	90	88	84	100	
3900	2	Inlet	102	104	103	102	97	94	94	96	104	
		Outlet	119	110	103	105	102	98	96	95	107	
	4	Inlet	102	104	102	101	96	93	93	95	103	
		Outlet	115	108	102	104	102	98	95	94	107	
	6	Inlet	100	102	100	100	95	92	92	93	102	
		Outlet	113	106	101	103	100	97	94	92	105	

The sound power level ratings shown are in decibels, referred to 10-12 watts, calculated per AMCA International Standard 301. The A-weighted sound ratings shown have been calculated per AMCA International Standard 301. Values shown are for inlet L_Wi, L_WA and outlet L_Wo, L_WoA sound power levels for Installation Type B: free inlet, ducted outlet. Inlet ratings do not include the effects of duct end correction. Outlet ratings include the effects of duct end correction.

180 CA SWSI

RPM	SP	Condition	SOUND POWER re 10-12 WATTS								LwA
			OCTAVE BANDS								
			1	2	3	4	5	6	7	8	
1000	1	Inlet	65	67	67	62	59	55	55	56	66
		Outlet	74	74	71	66	62	57	55	53	69
1240	1	Inlet	72	74	77	71	67	63	60	59	74
		Outlet	83	79	81	74	71	66	60	57	77
	1.5	Inlet	72	71	74	69	64	61	59	60	72
		Outlet	82	75	79	71	69	64	60	58	75
1480	1	Inlet	77	78	84	77	73	70	65	64	80
		Outlet	91	82	89	79	77	73	67	62	84
	2	Inlet	78	75	80	75	70	66	63	64	77
		Outlet	88	77	86	76	74	69	64	62	81
1720	1	Inlet	81	83	86	83	78	75	71	69	84
		Outlet	93	87	91	86	82	78	73	68	88
	2	Inlet	79	80	84	81	76	72	68	66	82
		Outlet	91	85	89	84	80	75	70	66	86
	3	Inlet	80	79	81	78	73	70	67	67	80
		Outlet	90	83	86	81	77	73	68	66	83
1960	1	Inlet	84	86	88	87	81	79	75	72	88
		Outlet	96	91	92	92	85	82	78	73	92
	2	Inlet	82	85	87	86	80	77	72	70	87
		Outlet	94	90	91	90	84	80	75	70	91
	4	Inlet	82	82	83	81	76	73	70	70	83
		Outlet	91	86	86	86	80	76	72	69	87
2200	1	Inlet	88	89	90	91	84	82	79	76	91
		Outlet	99	95	93	97	88	85	82	77	96
	3	Inlet	85	86	88	89	82	79	75	72	89
		Outlet	95	92	91	94	87	83	77	73	94
	5	Inlet	84	84	84	85	79	76	73	72	85
		Outlet	93	88	87	90	83	80	75	72	90
2440	1	Inlet	92	91	91	94	86	85	83	79	94
		Outlet	103	97	93	101	92	88	85	81	100
	3	Inlet	89	89	90	93	85	83	79	75	93
		Outlet	98	95	92	98	91	86	81	77	98
6	Inlet	86	86	86	88	81	79	75	75	88	
	Outlet	94	89	87	93	86	83	77	75	93	
2680	1	Inlet	94	94	94	96	90	87	85	82	97
		Outlet	105	100	96	103	95	91	88	84	102
	4	Inlet	90	91	92	95	88	85	81	77	95
		Outlet	99	97	94	100	94	89	83	78	99
8	Inlet	88	90	88	88	83	81	77	77	90	
	Outlet	96	92	90	94	89	85	80	77	94	
2920	1	Inlet	95	97	96	98	93	89	88	84	99
		Outlet	107	103	98	105	98	93	90	86	104
	4	Inlet	92	94	95	96	91	87	84	80	97
		Outlet	101	100	97	102	97	92	87	82	102
8	Inlet	90	91	91	92	87	83	80	79	93	
	Outlet	98	96	92	97	93	88	83	79	98	
3160	1	Inlet	97	99	98	99	95	91	90	87	101
		Outlet	108	106	101	106	101	95	92	89	106
	5	Inlet	93	96	96	98	94	89	86	82	99
		Outlet	102	102	99	103	99	94	89	84	104
	10	Inlet	91	93	92	92	89	85	82	81	94
		Outlet	99	97	94	97	95	90	85	81	99
3400	1.5	Inlet	98	101	100	101	98	93	91	88	103
		Outlet	109	108	102	106	104	97	94	90	108
	5	Inlet	95	99	99	99	96	91	88	85	101
		Outlet	105	104	101	104	102	96	91	87	106
	12	Inlet	92	96	94	94	91	87	84	82	96
		Outlet	100	99	95	98	97	92	87	83	100

195 CA SWSI

RPM	SP	Condition	SOUND POWER re 10-12 WATTS								LwA
			OCTAVE BANDS								
			1	2	3	4	5	6	7	8	
1000	1	Inlet	68	71	71	66	62	58	57	58	69
		Outlet	76	77	74	69	66	60	57	55	72
1210	1	Inlet	74	77	79	74	69	65	62	61	76
		Outlet	85	81	84	76	73	68	62	59	80
	2	Inlet	76	73	75	70	66	62	61	61	73
		Outlet	86	81	79	73	70	65	61	59	76
1420	1	Inlet	79	81	85	79	74	71	67	66	81
		Outlet	92	84	91	81	79	74	69	64	85
	2	Inlet	78	77	82	76	72	68	64	65	79
		Outlet	88	80	87	78	76	71	66	64	82
1630	1	Inlet	83	84	88	83	79	76	72	70	85
		Outlet	94	88	93	86	83	79	74	69	89
	2	Inlet	81	82	86	82	77	73	69	67	84
		Outlet	92	86	91	85	81	76	71	67	87
	3	Inlet	81	79	83	79	74	71	68	68	81
		Outlet	91	83	88	82	79	74	69	67	85
1840	1	Inlet	86	87	90	87	82	80	76	73	89
		Outlet	97	92	94	92	86	83	78	74	93
	2	Inlet	84	86	88	87	81	77	73	71	87
		Outlet	95	91	93	91	85	81	75	71	91
4	Inlet	83	83	84	82	77	74	71	71	84	
	Outlet	92	86	88	86	81	77	73	70	87	
2050	1	Inlet	89	90	91	91	85	83	80	76	92
		Outlet	100	95	95	97	89	86	82	78	97
	3	Inlet	86	87	89	89	82	79	75	72	90
		Outlet	95	93	92	94	88	83	77	73	94
	5	Inlet	85	85	85	85	79	77	74	73	86
		Outlet	93	89	88	90	84	80	75	73	90
1	Inlet	93	92	92	94	87	85	83	79	95	
	Outlet	103	98	95	101	92	88	85	81	100	
2260	3	Inlet	90	90	91	93	85	83	79	75	93
		Outlet	98	95	94	99	91	87	81	77	98
	6	Inlet	87	87	87	88	81	79	76	76	88
		Outlet	95	90	89	94	87	83	78	75	93
2470	1	Inlet	95	94	94	97	89	87	86	82	97
		Outlet	106	100	96	104	95	91	88	84	103
	4	Inlet	91	92	93	96	88	85	81	77	95
		Outlet	100	97	95	101	94	89	83	79	100
	8	Inlet	90	90	89	89	83	81	78	78	90
		Outlet	97	92	90	95	89	85	80	78	95
2680	1	Inlet	97	97	97	99	92	90	88	84	99
		Outlet	108	103	98	106	98	93	90	86	105
	4	Inlet	94	95	95	97	91	88	84	80	97
		Outlet	102	100	97	103	97	92	86	82	102
8	Inlet	91	91	91	93	87	84	80	79	93	
	Outlet	98	95	92	98	92	88	83	80	98	
2890	1	Inlet	98	99	99	100	95	91	90	87	101
		Outlet	109	105	101	107	100	95	92	89	107
	5	Inlet	95	97	97	99	93	89	86	82	99
		Outlet	103	102	99	104	99	94	88	84	104
	10	Inlet	92	94	93	93	89	85	82	81	94
		Outlet	100	97	94	98	94	90	85	82	99
3100	1.5	Inlet	99	101	100	101	97	93	91	88	103
		Outlet	110	107	102	108	103	97	94	90	108
	5	Inlet	96	99	99	100	96	91	88	85	101
		Outlet	105	104	101	105	102	96	91	86	106
12	Inlet	94	96	95	94	91	87	84	83	96	
	Outlet	101	99	96	99	96	91	87	83	101	

The sound power level ratings shown are in decibels, referred to 10-12 watts, calculated per AMCA International Standard 301. The A-weighted sound ratings shown have been calculated per AMCA International Standard 301. Values shown are for inlet L_{wi}, L_{wA} and outlet L_{wo}, L_{woA} sound power levels for Installation Type B: free inlet, ducted outlet. Inlet ratings do not include the effects of duct end correction. Outlet ratings include the effects of duct end correction.

210 CA SWSI

RPM	SP	Condition	SOUND POWER re 10-12 WATTS								
			OCTAVE BANDS								LwA
			1	2	3	4	5	6	7	8	
900	1	Inlet	67	70	71	66	65	60	53	47	69
		Outlet	75	76	75	70	68	62	55	49	73
1100	1	Inlet	75	77	82	73	72	71	64	56	79
		Outlet	83	81	86	77	75	73	66	56	82
	1.5	Inlet	72	74	77	71	70	67	59	53	75
		Outlet	80	79	82	75	73	69	61	55	78
1300	1	Inlet	81	82	87	79	77	77	72	63	84
		Outlet	88	85	90	82	80	79	74	64	87
	2	Inlet	76	78	82	75	74	72	65	59	80
		Outlet	84	83	86	79	77	74	67	60	83
1500	1	Inlet	85	86	90	83	81	80	77	70	88
		Outlet	92	91	94	87	84	82	79	71	91
	2	Inlet	82	83	89	81	78	78	73	66	85
		Outlet	89	88	92	85	82	80	75	68	88
	3	Inlet	79	80	84	78	76	74	68	62	82
		Outlet	85	86	90	82	79	76	70	62	86
1700	1	Inlet	90	88	92	86	84	83	81	75	91
		Outlet	96	95	97	90	87	85	83	77	94
	2	Inlet	88	86	92	85	82	81	79	73	89
		Outlet	94	92	95	88	85	83	81	75	92
	4	Inlet	84	82	86	80	77	77	72	66	84
		Outlet	87	88	92	85	81	79	74	66	88
1900	1	Inlet	95	90	94	88	86	86	84	79	93
		Outlet	100	97	100	91	90	88	86	81	97
	3	Inlet	92	86	93	85	83	83	81	75	90
		Outlet	97	93	96	89	87	84	83	77	93
	5	Inlet	90	83	88	81	79	79	75	69	86
		Outlet	89	89	95	87	84	81	77	69	91
2100	1	Inlet	97	93	96	92	89	89	87	83	96
		Outlet	103	100	101	96	93	90	89	84	99
	3	Inlet	95	91	95	90	86	86	84	79	94
		Outlet	100	97	99	94	90	88	86	82	97
	6	Inlet	92	87	90	85	82	82	78	72	89
		Outlet	91	91	97	91	87	84	80	72	94
2300	1	Inlet	99	97	98	96	91	91	90	85	98
		Outlet	105	102	103	100	95	93	91	87	102
	4	Inlet	96	94	96	94	88	88	86	82	96
		Outlet	101	99	99	97	92	90	88	84	99
	8	Inlet	93	90	91	88	82	82	79	75	90
		Outlet	92	93	96	93	87	85	81	75	94
2500	1	Inlet	100	100	100	99	93	93	92	88	101
		Outlet	106	105	105	103	97	95	93	90	105
	4	Inlet	98	97	98	98	91	90	89	85	99
		Outlet	103	102	102	101	95	92	90	87	102
	8	Inlet	95	94	94	93	87	86	84	79	95
		Outlet	95	95	100	100	92	89	86	79	100
2700	1	Inlet	102	103	101	102	95	94	94	90	103
		Outlet	108	107	106	107	99	97	95	92	107
	5	Inlet	99	100	99	101	92	92	91	87	101
		Outlet	104	104	103	104	96	94	92	89	104
	10	Inlet	96	97	95	96	88	87	85	80	96
		Outlet	95	97	100	102	93	90	87	81	101
2900	2	Inlet	102	105	102	105	96	95	95	92	105
		Outlet	108	109	107	109	100	98	96	94	109
	6	Inlet	100	102	100	104	94	93	92	89	103
		Outlet	106	106	104	106	98	96	94	91	106
	12	Inlet	97	99	96	99	89	88	86	82	98
		Outlet	96	98	100	104	94	91	88	83	103

225 CA SWSI

RPM	SP	Condition	SOUND POWER re 10-12 WATTS								
			OCTAVE BANDS								LwA
			1	2	3	4	5	6	7	8	
900	1	Inlet	70	74	74	69	68	64	57	50	73
		Outlet	78	79	78	73	71	66	58	51	76
1080	1	Inlet	78	80	85	75	74	73	67	57	81
		Outlet	85	83	87	79	77	76	68	58	84
	2	Inlet	73	75	76	70	69	66	59	55	74
		Outlet	81	79	82	75	73	68	61	56	79
1260	1	Inlet	83	83	89	80	79	78	73	65	85
		Outlet	90	87	91	83	81	80	75	66	88
	2	Inlet	79	80	84	77	76	74	67	61	82
		Outlet	86	85	88	81	79	76	69	62	85
1440	1	Inlet	87	87	91	84	82	82	78	71	89
		Outlet	94	92	95	87	85	84	80	73	92
	2	Inlet	84	85	90	82	80	79	75	68	87
		Outlet	91	89	93	86	83	81	77	69	90
	3	Inlet	81	82	86	79	77	76	70	63	83
		Outlet	87	88	91	84	81	78	71	64	87
1620	1	Inlet	91	89	94	87	85	84	82	76	92
		Outlet	97	96	98	90	88	86	84	78	95
	2	Inlet	89	88	93	85	83	82	80	74	90
		Outlet	96	93	96	89	86	84	82	76	93
	4	Inlet	86	83	88	81	79	78	73	66	85
		Outlet	88	89	95	86	83	80	75	66	90
1800	1	Inlet	95	91	95	88	87	87	85	80	94
		Outlet	101	98	101	92	91	89	87	82	97
	3	Inlet	93	88	94	86	84	84	82	76	91
		Outlet	98	94	97	90	88	85	83	78	94
	5	Inlet	91	85	90	82	80	80	76	70	87
		Outlet	90	90	98	88	85	82	78	69	92
1980	1	Inlet	98	94	97	92	89	89	88	83	96
		Outlet	104	100	103	96	93	91	90	85	100
	3	Inlet	96	91	96	90	87	87	85	80	94
		Outlet	101	98	100	94	91	88	87	82	97
	6	Inlet	94	87	92	85	83	83	79	73	90
		Outlet	92	92	99	91	87	85	81	73	95
2160	1	Inlet	100	97	99	95	92	92	90	86	99
		Outlet	106	103	104	99	96	94	92	88	102
	4	Inlet	98	94	97	93	89	88	87	82	96
		Outlet	102	99	101	97	93	90	89	84	99
	8	Inlet	94	90	93	88	83	83	80	75	91
		Outlet	93	94	97	93	88	85	82	75	95
2340	1	Inlet	102	100	101	99	94	93	92	88	101
		Outlet	107	105	106	103	98	96	94	90	105
	4	Inlet	99	97	99	97	91	91	89	85	99
		Outlet	104	102	103	100	95	93	91	87	102
	8	Inlet	97	94	95	93	87	87	84	79	95
		Outlet	96	96	101	99	92	89	86	79	100
2520	1	Inlet	103	103	102	102	96	95	94	90	103
		Outlet	109	107	107	106	99	98	96	92	107
	5	Inlet	100	100	100	100	93	92	91	87	101
		Outlet	105	104	104	103	97	94	93	89	104
	10	Inlet	98	97	96	95	88	88	85	80	96
		Outlet	96	97	101	101	93	91	87	81	101
2700	1	Inlet	104	105	103	104	97	97	96	93	106
		Outlet	110	109	108	109	101	99	98	94	109
	6	Inlet	102	102	101	103	94	93	92	89	103
		Outlet	106	106	105	105	98	96	94	91	106
	12	Inlet	98	99	97	98	89	88	86	82	98
		Outlet	97	99	101	103	94	92	89	83	102

The sound power level ratings shown are in decibels, referred to 10-12 watts, calculated per AMCA International Standard 301. The A-weighted sound ratings shown have been calculated per AMCA International Standard 301. Values shown are for inlet L_{W1}, L_{W1}A and outlet L_{W0}, L_{W0}A sound power levels for Installation Type B: free inlet, ducted outlet. Inlet ratings do not include the effects of duct end correction. Outlet ratings include the effects of duct end correction.

245 CA SWSI

RPM	SP	Condition	SOUND POWER re 10-12 WATTS								LwA
			OCTAVE BANDS								
			1	2	3	4	5	6	7	8	
700	1	Inlet	67	71	62	59	57	54	49	45	63
		Outlet	72	77	64	62	61	57	52	50	67
880	1	Inlet	74	80	74	68	65	64	59	52	72
		Outlet	77	85	74	71	69	67	61	53	76
	1.5	Inlet	72	78	71	64	63	61	56	52	70
		Outlet	74	82	71	67	67	64	58	56	73
1060	1	Inlet	79	84	82	74	71	71	67	61	79
		Outlet	81	87	82	77	75	73	70	62	81
	2	Inlet	76	81	78	70	68	66	62	57	75
		Outlet	78	85	79	73	71	69	63	60	78
1240	1	Inlet	83	86	88	80	76	75	72	67	84
		Outlet	88	90	90	82	80	78	74	68	87
	2	Inlet	82	84	86	77	74	72	69	64	82
		Outlet	85	89	90	81	78	74	70	65	85
	3	Inlet	80	81	82	74	71	69	66	62	78
		Outlet	81	85	86	77	74	71	68	63	82
1420	1	Inlet	88	88	93	83	80	78	76	72	88
		Outlet	94	93	97	87	84	81	78	73	92
	2	Inlet	88	86	92	81	78	76	74	70	87
		Outlet	92	91	95	84	82	79	76	71	90
	4	Inlet	86	82	87	77	74	71	69	66	82
		Outlet	84	87	91	81	78	74	71	67	86
1600	1	Inlet	92	90	96	87	84	81	79	75	91
		Outlet	99	96	101	91	88	84	81	77	96
	3	Inlet	91	88	94	84	81	78	76	72	89
		Outlet	94	93	98	88	85	81	77	73	93
	5	Inlet	91	84	89	81	77	74	72	69	85
		Outlet	87	89	94	85	81	76	74	70	89
1780	1	Inlet	94	94	98	91	87	84	82	79	94
		Outlet	101	99	103	95	91	87	84	80	98
	3	Inlet	93	92	96	89	84	82	79	76	92
		Outlet	98	96	100	93	88	85	81	78	96
	6	Inlet	93	89	91	85	80	77	75	72	88
		Outlet	89	91	96	89	84	80	77	73	92
1960	1	Inlet	95	97	99	95	89	87	85	81	97
		Outlet	103	102	104	99	94	90	87	83	101
	4	Inlet	95	95	97	93	86	84	81	79	94
		Outlet	99	98	101	96	90	87	83	80	98
	8	Inlet	93	92	92	88	82	79	77	74	90
		Outlet	90	92	96	92	86	82	79	75	94
2140	1	Inlet	97	100	101	98	92	89	87	84	99
		Outlet	105	104	105	103	96	93	90	86	104
	4	Inlet	97	98	99	97	89	87	84	82	97
		Outlet	101	101	103	100	93	90	87	83	101
	8	Inlet	97	97	95	93	85	82	80	77	93
		Outlet	93	95	99	97	90	86	82	78	97
2320	1	Inlet	98	102	102	102	94	91	89	86	102
		Outlet	107	107	106	106	98	95	92	88	106
	5	Inlet	98	101	100	100	91	89	86	84	100
		Outlet	103	103	103	103	95	92	88	85	103
	10	Inlet	98	99	95	95	87	84	82	79	95
		Outlet	94	96	99	99	91	87	83	80	99
2500	2	Inlet	100	104	103	104	95	93	90	88	104
		Outlet	107	108	107	109	99	97	93	90	108
	6	Inlet	99	103	101	102	93	90	88	85	102
		Outlet	104	105	104	106	96	94	90	87	105
	12	Inlet	99	102	96	97	89	86	83	81	97
		Outlet	95	98	100	102	93	89	85	82	101

270 CA SWSI

RPM	SP	Condition	SOUND POWER re 10-12 WATTS								LwA
			OCTAVE BANDS								
			1	2	3	4	5	6	7	8	
700	1	Inlet	72	77	68	63	61	58	53	48	68
		Outlet	77	82	69	66	65	60	55	50	71
850	1	Inlet	78	83	77	70	68	67	62	55	75
		Outlet	80	86	76	73	72	70	64	56	78
	1.5	Inlet	75	82	74	68	66	64	58	54	73
		Outlet	78	86	75	71	69	67	60	56	76
1000	1	Inlet	82	86	83	76	73	72	69	62	80
		Outlet	84	89	83	79	77	75	71	64	83
	2	Inlet	79	84	80	73	70	69	63	59	77
		Outlet	81	89	81	76	73	71	65	60	80
1150	1	Inlet	85	88	88	80	77	76	73	68	85
		Outlet	89	92	91	84	81	79	75	69	88
	2	Inlet	84	86	86	78	75	73	70	65	83
		Outlet	87	91	89	82	79	75	71	66	86
	3	Inlet	82	84	83	75	72	70	67	63	79
		Outlet	83	88	86	78	75	72	68	64	82
1300	1	Inlet	89	90	93	84	81	79	76	72	88
		Outlet	95	94	97	87	85	81	78	73	92
	2	Inlet	89	88	91	82	79	77	74	71	87
		Outlet	93	92	95	85	83	79	76	72	90
	4	Inlet	87	84	86	78	75	72	70	66	82
		Outlet	86	89	91	82	78	74	71	67	86
1450	1	Inlet	93	91	97	87	84	82	80	76	92
		Outlet	100	96	102	91	89	84	82	77	96
	3	Inlet	92	88	95	84	81	78	76	72	89
		Outlet	95	94	99	88	86	81	78	73	93
	5	Inlet	92	85	90	80	77	75	73	70	85
		Outlet	88	90	95	85	82	77	74	70	89
1600	1	Inlet	95	94	99	90	87	84	82	78	95
		Outlet	102	99	104	94	91	87	85	80	99
	3	Inlet	95	91	98	88	85	82	80	76	93
		Outlet	99	96	101	91	89	85	82	78	96
6	Inlet	95	88	93	84	80	77	75	72	88	
	Outlet	90	92	97	88	84	79	77	73	92	
1750	1	Inlet	97	97	101	94	89	87	85	81	97
		Outlet	104	102	106	98	94	90	87	83	101
	4	Inlet	97	94	99	91	86	84	81	78	94
		Outlet	99	98	102	94	90	87	83	79	98
	8	Inlet	94	91	93	86	81	79	77	74	89
		Outlet	91	93	97	91	86	82	79	75	93
1900	1	Inlet	98	99	102	97	92	89	87	84	99
		Outlet	106	104	107	101	96	93	90	85	103
	4	Inlet	98	97	100	95	89	86	84	81	97
		Outlet	102	101	104	98	93	90	86	83	100
	8	Inlet	98	95	96	91	85	82	80	77	93
		Outlet	94	95	100	94	89	85	81	78	96
2050	1	Inlet	100	102	103	100	94	91	89	86	101
		Outlet	107	106	108	104	98	95	92	88	106
	5	Inlet	99	100	101	98	91	88	86	83	99
		Outlet	103	103	104	101	94	91	88	84	102
	10	Inlet	99	97	96	93	86	84	81	79	94
		Outlet	94	96	100	97	91	87	83	80	98
2200	1	Inlet	101	104	104	103	95	93	91	88	103
		Outlet	109	108	109	107	100	97	93	90	108
	6	Inlet	101	102	102	100	92	90	87	85	101
		Outlet	104	104	105	103	96	93	90	86	104
	12	Inlet	99	100	97	95	88	85	83	80	96
		Outlet	95	98	101	100	92	88	85	82	100

The sound power level ratings shown are in decibels, referred to 10-12 watts, calculated per AMCA International Standard 301. The A-weighted sound ratings shown have been calculated per AMCA International Standard 301. Values shown are for inlet L_{wi}, L_{wA} and outlet L_{wo}, L_{woA} sound power levels for Installation Type B: free inlet, ducted outlet. Inlet ratings do not include the effects of duct end correction. Outlet ratings include the effects of duct end correction.

300 CA SWSI

RPM	SP	Condition	SOUND POWER re 10-12 WATTS								LwA
			OCTAVE BANDS								
			1	2	3	4	5	6	7	8	
550	1	Inlet	68	67	60	59	57	53	49	45	62
		Outlet	77	71	63	62	60	55	52	49	65
690	1	Inlet	76	81	72	67	66	63	57	51	72
		Outlet	82	86	74	71	69	65	58	50	75
	1.5	Inlet	74	77	68	64	63	60	55	51	69
		Outlet	78	82	70	68	66	62	58	55	72
830	1	Inlet	81	87	79	73	71	70	66	58	78
		Outlet	83	89	79	77	75	73	68	60	81
	1.5	Inlet	79	85	78	72	69	68	62	56	76
		Outlet	83	92	79	75	73	70	63	56	80
	2	Inlet	78	83	75	69	68	66	61	56	74
		Outlet	80	87	76	72	71	68	63	60	77
970	1	Inlet	85	89	85	78	76	75	71	65	83
		Outlet	88	93	86	82	80	78	73	66	86
	2	Inlet	82	87	83	76	73	72	67	62	80
		Outlet	85	94	85	80	77	74	68	62	84
	3	Inlet	80	83	78	72	70	69	65	61	77
		Outlet	82	89	81	76	74	71	66	63	80
1110	1	Inlet	88	91	90	83	80	78	75	70	87
		Outlet	93	95	93	86	84	81	77	72	90
	2	Inlet	87	89	89	81	78	76	73	69	85
		Outlet	91	93	91	84	81	78	75	70	88
	3	Inlet	86	87	86	79	75	73	70	65	83
		Outlet	87	93	91	83	79	75	71	66	87
1250	1	Inlet	92	92	94	86	83	81	79	75	91
		Outlet	99	98	99	90	87	84	81	76	95
	2	Inlet	92	91	93	84	82	79	77	73	89
		Outlet	97	96	97	88	86	82	79	74	93
	4	Inlet	91	87	90	81	78	75	73	69	85
		Outlet	90	93	95	85	82	77	74	69	90
1390	1.5	Inlet	96	93	98	88	86	83	81	77	93
		Outlet	101	98	103	92	90	86	83	78	97
	3	Inlet	95	92	97	86	84	81	79	76	92
		Outlet	98	96	101	90	88	84	81	77	95
	5	Inlet	95	89	93	84	81	77	76	72	88
		Outlet	92	94	99	88	85	80	77	72	93
1530	1.5	Inlet	99	96	102	91	89	86	84	80	97
		Outlet	104	100	106	95	93	89	86	81	101
	3	Inlet	98	94	101	90	87	84	82	79	95
		Outlet	102	99	105	93	91	87	84	80	99
	5	Inlet	97	92	99	88	85	81	79	75	93
		Outlet	95	98	104	93	90	84	81	76	98
1670	1.5	Inlet	100	99	103	95	91	88	86	83	99
		Outlet	106	103	108	99	95	92	89	84	103
	5	Inlet	99	96	101	92	88	85	83	79	96
		Outlet	100	100	105	96	92	88	84	80	100
	8	Inlet	99	93	97	88	84	82	80	77	92
		Outlet	94	96	101	93	89	84	81	77	96
1810	1.5	Inlet	101	101	104	98	93	91	89	85	101
		Outlet	108	106	109	102	98	94	91	87	105
	5	Inlet	101	99	103	96	91	88	86	83	99
		Outlet	104	102	106	99	95	91	88	84	102
	8	Inlet	101	98	100	94	88	85	83	79	96
		Outlet	97	99	105	98	93	88	84	80	101
1950	1.5	Inlet	103	104	106	101	95	93	91	87	103
		Outlet	109	108	110	105	100	96	93	89	107
	5	Inlet	102	102	104	99	93	90	88	85	101
		Outlet	106	105	108	103	97	94	90	87	104
	12	Inlet	101	98	98	94	87	85	83	80	96
		Outlet	96	98	102	98	92	88	85	81	100

330 CA SWSI

RPM	SP	Condition	SOUND POWER re 10-12 WATTS								LwA
			OCTAVE BANDS								
			1	2	3	4	5	6	7	8	
550	1	Inlet	75	73	65	63	61	57	52	48	66
		Outlet	79	74	67	66	64	59	56	53	69
680	1	Inlet	81	84	75	70	69	67	61	54	75
		Outlet	83	86	76	74	72	69	62	54	78
	1.5	Inlet	79	82	72	68	67	63	58	54	73
		Outlet	81	84	74	71	70	65	61	58	75
810	1	Inlet	84	90	82	76	74	73	68	61	81
		Outlet	86	92	82	80	78	75	70	63	84
	2	Inlet	81	87	78	73	71	69	63	59	78
		Outlet	84	92	80	76	74	71	65	60	81
940	1	Inlet	87	92	87	81	78	77	73	68	85
		Outlet	91	96	89	85	82	80	75	69	88
	2	Inlet	85	90	85	79	76	74	70	65	83
		Outlet	89	95	87	83	79	76	72	66	86
	3	Inlet	84	87	81	75	73	71	67	63	80
		Outlet	85	91	84	79	76	74	69	65	83
1070	1	Inlet	91	93	92	85	82	80	77	73	89
		Outlet	96	98	95	89	86	83	79	74	93
	2	Inlet	90	92	90	83	80	78	75	71	87
		Outlet	94	96	93	87	84	80	77	72	90
4	Inlet	88	88	85	79	76	74	71	67	83	
	Outlet	88	92	90	83	79	76	72	68	86	
1200	1	Inlet	95	95	96	88	85	83	81	76	92
		Outlet	101	100	101	92	89	86	82	77	96
	3	Inlet	93	93	94	85	83	80	77	74	90
		Outlet	96	97	98	89	86	82	79	75	93
	5	Inlet	92	89	90	82	79	76	74	71	86
		Outlet	91	94	94	86	82	78	75	71	90
1330	1	Inlet	98	97	100	91	88	86	84	80	96
		Outlet	104	102	105	95	93	89	86	81	100
	3	Inlet	97	95	99	89	86	83	81	78	94
		Outlet	101	99	102	92	90	86	83	79	97
6	Inlet	97	91	94	84	82	79	77	73	89	
	Outlet	93	95	98	88	85	81	78	74	93	
1460	1	Inlet	101	98	104	93	91	88	86	82	99
		Outlet	107	103	109	97	95	91	89	84	103
	4	Inlet	100	95	102	91	88	85	83	80	96
		Outlet	103	100	105	94	92	88	85	81	100
8	Inlet	99	91	96	86	83	81	79	76	91	
	Outlet	94	96	101	91	88	83	80	76	95	
1590	1	Inlet	103	101	106	96	93	91	89	85	101
		Outlet	109	105	111	101	98	94	91	86	105
	4	Inlet	102	98	104	94	91	88	86	83	99
		Outlet	105	102	108	98	95	91	88	84	102
8	Inlet	102	95	100	91	87	84	82	78	95	
	Outlet	97	99	105	95	91	86	83	79	99	
1720	1	Inlet	104	103	107	99	95	93	91	87	103
		Outlet	110	107	112	104	100	96	93	89	107
	5	Inlet	104	101	105	97	93	90	88	84	101
		Outlet	106	104	109	100	97	93	90	86	104
10	Inlet	104	98	100	93	88	85	83	80	96	
	Outlet	98	99	105	97	92	88	85	81	100	
1850	1	Inlet	105	106	108	102	97	95	93	89	105
		Outlet	112	110	113	107	102	98	95	91	109
	5	Inlet	105	104	106	100	95	92	90	87	103
		Outlet	108	107	110	104	99	95	92	88	106
12	Inlet	104	100	101	95	90	87	85	82	98	
	Outlet	99	101	105	99	94	90	87	83	101	

The sound power level ratings shown are in decibels, referred to 10-12 watts, calculated per AMCA International Standard 301. The A-weighted sound ratings shown have been calculated per AMCA International Standard 301. Values shown are for inlet L_Wi, L_WA and outlet L_Wo, L_WoA sound power levels for Installation Type B: free inlet, ducted outlet. Inlet ratings do not include the effects of duct end correction. Outlet ratings include the effects of duct end correction.

365 CA SWSI

RPM	SP	Condition	SOUND POWER re 10-12 WATTS								L _w A
			OCTAVE BANDS								
			1	2	3	4	5	6	7	8	
500	1	Inlet	74	79	71	66	62	58	54	54	70
		Outlet	79	83	73	68	64	59	56	58	72
620	1	Inlet	80	87	81	74	71	68	63	61	78
		Outlet	83	90	82	76	73	68	64	61	80
	1.5	Inlet	76	86	78	72	68	64	59	58	76
		Outlet	80	90	80	74	70	65	61	61	79
740	1	Inlet	85	92	86	80	76	73	69	65	84
		Outlet	89	95	87	82	78	75	71	67	85
	2	Inlet	80	90	82	76	72	69	65	62	80
		Outlet	84	92	85	79	74	70	66	63	82
860	1	Inlet	89	96	90	84	80	77	75	70	88
		Outlet	93	99	90	87	83	79	77	71	90
	2	Inlet	86	95	88	81	78	75	72	68	85
		Outlet	90	96	88	84	80	76	72	68	87
	3	Inlet	82	92	84	78	75	71	68	65	82
		Outlet	87	91	86	81	77	73	70	67	84
980	1	Inlet	93	100	94	87	84	81	80	74	91
		Outlet	96	102	94	90	87	83	81	75	93
	2	Inlet	90	98	93	86	82	79	77	73	90
		Outlet	94	100	92	88	85	81	78	74	92
	4	Inlet	84	94	86	80	77	74	72	68	84
		Outlet	90	93	88	84	80	76	73	70	87
1100	1	Inlet	95	102	99	91	87	84	83	78	95
		Outlet	99	104	99	94	90	86	84	79	97
	3	Inlet	91	99	97	88	84	81	79	75	93
		Outlet	95	100	97	90	87	83	80	76	94
	5	Inlet	85	95	91	84	80	77	75	71	88
		Outlet	92	95	92	87	83	79	76	73	90
1220	1	Inlet	97	104	103	94	90	87	86	81	99
		Outlet	101	106	104	96	93	90	87	83	100
	3	Inlet	94	101	102	93	88	85	83	79	97
		Outlet	98	103	102	94	91	87	84	80	98
	6	Inlet	87	96	96	87	83	80	77	74	91
		Outlet	93	96	96	90	86	82	79	76	93
1340	1	Inlet	99	106	107	97	92	90	88	84	102
		Outlet	103	107	108	99	96	92	90	86	104
	4	Inlet	95	102	105	95	90	87	85	82	100
		Outlet	99	103	106	96	93	89	86	83	101
	8	Inlet	89	97	99	89	85	82	79	76	94
		Outlet	96	99	99	92	88	84	81	78	95
1460	1	Inlet	101	107	111	100	95	92	90	87	105
		Outlet	105	108	112	101	98	95	92	89	107
	4	Inlet	98	104	109	98	93	90	87	85	103
		Outlet	101	105	110	99	96	92	89	86	104
	8	Inlet	91	98	105	93	88	85	82	79	99
		Outlet	96	99	102	95	92	87	83	80	98
1580	1	Inlet	102	108	113	102	97	94	92	90	107
		Outlet	106	110	114	103	101	97	94	92	109
	5	Inlet	99	105	111	101	95	92	89	87	105
		Outlet	102	106	112	100	98	94	90	88	106
	10	Inlet	92	99	107	94	90	87	84	81	100
		Outlet	98	101	104	97	93	89	85	82	100
1700	2	Inlet	103	109	114	104	98	96	93	91	108
		Outlet	107	110	115	105	102	99	95	93	110
	6	Inlet	100	106	112	103	97	94	91	89	106
		Outlet	103	106	113	102	99	96	92	90	108
	12	Inlet	93	99	108	96	91	88	85	83	101
		Outlet	99	102	105	99	95	91	87	84	102

402 CA SWSI

RPM	SP	Condition	SOUND POWER re 10-12 WATTS								L _w A
			OCTAVE BANDS								
			1	2	3	4	5	6	7	8	
450	1	Inlet	76	78	71	66	62	58	55	54	69
		Outlet	82	82	73	68	64	59	57	59	72
560	1	Inlet	82	88	81	74	71	68	64	61	78
		Outlet	85	90	82	76	73	68	64	62	80
	1.5	Inlet	79	86	77	72	68	64	60	59	76
		Outlet	82	90	80	74	71	65	61	62	79
670	1	Inlet	87	93	86	80	76	74	70	66	84
		Outlet	90	95	87	82	78	75	71	67	86
	2	Inlet	82	90	82	76	73	69	65	63	80
		Outlet	85	92	85	79	75	70	66	64	82
780	1	Inlet	91	98	90	84	80	78	75	70	88
		Outlet	94	100	90	87	83	80	77	71	90
	2	Inlet	88	96	88	82	78	75	72	68	86
		Outlet	91	97	88	85	80	76	73	69	88
	3	Inlet	84	93	84	79	75	72	69	66	83
		Outlet	88	93	86	82	77	73	70	68	85
890	1	Inlet	94	102	93	87	84	82	80	74	92
		Outlet	98	104	93	91	87	83	82	75	94
	2	Inlet	92	100	92	86	83	80	78	73	90
		Outlet	95	102	91	89	85	81	79	74	92
	4	Inlet	86	96	85	81	77	75	72	69	85
		Outlet	91	94	88	85	80	76	73	70	87
1000	1	Inlet	97	104	98	91	88	85	83	78	95
		Outlet	100	106	98	94	91	87	85	79	97
	3	Inlet	93	101	96	89	85	82	79	75	93
		Outlet	96	102	95	91	87	83	80	76	94
	5	Inlet	87	97	90	84	81	78	75	72	88
		Outlet	93	96	92	88	84	79	76	73	90
1110	1	Inlet	99	106	102	94	90	88	86	81	99
		Outlet	102	107	103	97	94	90	88	83	101
	3	Inlet	96	103	101	93	89	86	83	80	97
		Outlet	99	105	101	94	91	87	85	81	98
	6	Inlet	89	98	95	87	84	80	78	75	91
		Outlet	94	98	95	91	87	82	79	76	93
1220	1	Inlet	101	107	106	97	93	90	89	84	102
		Outlet	104	109	107	100	96	93	91	86	104
	4	Inlet	97	104	105	95	91	88	85	82	100
		Outlet	100	105	105	96	93	89	87	83	101
	8	Inlet	91	99	98	89	85	82	80	77	94
		Outlet	97	100	99	93	89	84	81	79	96
1330	1	Inlet	103	109	110	100	95	93	91	87	105
		Outlet	106	110	111	102	99	95	93	89	106
	4	Inlet	100	106	109	98	93	91	88	85	103
		Outlet	102	107	109	99	96	93	89	86	104
	8	Inlet	93	101	104	93	89	86	83	80	98
		Outlet	98	101	102	96	92	88	84	81	99
1440	1	Inlet	104	110	114	102	98	95	93	90	108
		Outlet	108	111	115	104	101	98	95	92	109
	5	Inlet	101	107	112	101	95	92	90	87	105
		Outlet	103	108	112	101	98	94	91	88	107
	10	Inlet	94	101	107	95	90	87	84	82	101
		Outlet	99	102	104	98	94	90	86	83	101
1550	2	Inlet	105	111	116	104	99	96	94	92	109
		Outlet	108	112	117	105	103	99	96	93	111
	6	Inlet	102	108	114	103	97	94	92	89	107
		Outlet	105	108	115	103	100	96	93	90	109
	12	Inlet	95	102	109	97	92	89	86	83	103
		Outlet	100	104	107	99	96	92	88	85	103

The sound power level ratings shown are in decibels, referred to 10-12 watts, calculated per AMCA International Standard 301. The A-weighted sound ratings shown have been calculated per AMCA International Standard 301. Values shown are for inlet L_{wi}, L_wA and outlet L_{wo}, L_wA sound power levels for Installation Type B: free inlet, ducted outlet. Inlet ratings do not include the effects of duct end correction. Outlet ratings include the effects of duct end correction.

445 CA SWSI

RPM	SP	Condition	SOUND POWER re 10-12 WATTS								Lw _i A
			OCTAVE BANDS								
			1	2	3	4	5	6	7	8	
450	1	Inlet	81	83	75	70	67	63	60	59	74
		Outlet	85	86	78	72	68	63	60	59	76
550	1	Inlet	86	91	83	77	74	71	67	64	81
		Outlet	89	92	84	79	76	72	68	65	83
	1.5	Inlet	84	88	81	75	72	68	64	63	79
		Outlet	87	91	83	77	73	68	64	63	81
650	1	Inlet	91	96	88	82	79	76	72	68	86
		Outlet	94	97	89	85	81	78	74	69	88
	2	Inlet	87	93	85	79	75	72	69	66	83
		Outlet	90	94	87	82	77	73	69	66	85
750	1	Inlet	95	101	91	86	83	80	77	72	91
		Outlet	98	103	92	89	85	82	79	73	93
	2	Inlet	92	100	90	84	81	78	75	71	89
		Outlet	95	101	90	87	83	79	76	72	90
	3	Inlet	88	97	86	81	77	74	71	68	86
		Outlet	91	96	88	84	80	76	72	69	87
850	1	Inlet	98	104	95	89	86	84	82	76	94
		Outlet	100	106	95	93	89	85	84	77	96
	2	Inlet	95	103	94	88	85	82	80	75	93
		Outlet	98	105	93	91	87	83	81	76	94
4	Inlet	89	99	88	83	80	77	74	71	88	
	Outlet	93	97	90	87	83	78	76	72	89	
950	1	Inlet	100	106	99	92	89	87	86	80	97
		Outlet	103	108	99	96	92	89	87	81	99
	3	Inlet	96	104	98	91	87	84	82	78	95
		Outlet	99	106	97	93	90	86	83	79	96
	5	Inlet	90	101	92	86	83	80	77	74	91
		Outlet	95	99	94	90	86	81	78	75	92
1050	1	Inlet	102	108	103	96	92	90	88	83	100
		Outlet	105	110	103	99	95	92	90	84	102
	3	Inlet	99	106	102	94	90	88	85	81	99
		Outlet	101	108	102	96	93	89	87	82	100
	6	Inlet	92	102	97	89	86	83	80	76	94
		Outlet	97	101	97	93	89	84	81	78	95
1150	1	Inlet	103	110	107	99	95	92	91	86	103
		Outlet	106	111	108	101	98	94	92	87	105
	4	Inlet	100	107	106	97	92	90	87	84	101
		Outlet	102	108	105	98	95	91	89	85	102
	8	Inlet	93	102	100	91	87	84	82	79	96
		Outlet	98	101	100	95	91	86	83	80	97
1250	1	Inlet	105	111	111	101	97	94	93	88	106
		Outlet	108	112	111	104	100	97	95	90	108
	4	Inlet	101	108	109	99	94	92	89	86	104
		Outlet	104	109	109	100	97	93	90	87	104
	8	Inlet	95	102	103	93	89	86	84	81	98
		Outlet	100	103	103	96	93	88	85	82	99
1350	1	Inlet	107	113	114	104	99	96	95	91	109
		Outlet	110	114	115	106	103	99	96	93	110
	5	Inlet	103	109	112	102	96	93	91	88	106
		Outlet	105	110	112	102	99	95	92	89	107
	10	Inlet	96	103	106	95	91	88	85	83	100
		Outlet	102	105	106	98	94	90	87	84	102

490 CA SWSI

RPM	SP	Condition	SOUND POWER re 10-12 WATTS								Lw _i A
			OCTAVE BANDS								
			1	2	3	4	5	6	7	8	
350	1	Inlet	78	73	68	65	61	56	55	55	68
		Outlet	85	77	70	67	62	58	62	68	72
440	1	Inlet	85	86	79	73	70	67	64	62	77
		Outlet	88	88	81	75	71	66	63	62	79
	1.5	Inlet	82	83	75	71	68	63	60	60	74
		Outlet	87	86	77	73	69	64	64	68	77
530	1	Inlet	90	92	85	79	76	73	69	66	83
		Outlet	92	93	86	82	78	74	70	67	85
	2	Inlet	86	89	80	76	72	68	64	63	79
		Outlet	88	91	83	78	74	70	66	66	82
620	1	Inlet	94	97	89	83	80	78	74	70	88
		Outlet	97	98	90	86	83	80	76	70	90
	2	Inlet	91	95	86	81	78	75	71	68	85
		Outlet	93	96	88	84	79	75	71	68	87
	3	Inlet	87	91	82	78	75	72	68	66	82
		Outlet	90	93	85	81	77	73	70	69	84
710	1	Inlet	98	103	92	87	84	82	79	73	92
		Outlet	101	104	93	91	87	84	81	74	94
	2	Inlet	96	101	91	86	83	80	77	73	91
		Outlet	98	103	91	88	85	81	78	74	92
	4	Inlet	90	96	84	80	77	75	72	69	85
		Outlet	93	95	88	84	80	76	73	70	87
800	1	Inlet	100	106	96	91	88	85	83	77	96
		Outlet	103	108	97	94	90	87	85	78	98
	3	Inlet	96	104	93	88	84	82	79	75	93
		Outlet	98	105	94	91	87	83	80	75	94
	5	Inlet	91	99	88	83	80	78	75	72	88
		Outlet	95	98	91	87	83	79	77	73	90
890	1	Inlet	102	109	99	94	91	88	87	81	99
		Outlet	105	110	100	97	94	90	89	82	101
	3	Inlet	99	107	98	92	89	86	84	79	97
		Outlet	101	108	97	95	91	87	85	80	98
	6	Inlet	93	102	91	86	83	80	78	75	91
		Outlet	97	100	94	90	86	82	79	76	93
980	1	Inlet	104	110	103	97	93	91	90	84	101
		Outlet	106	112	103	100	96	93	91	85	103
	3	Inlet	101	108	102	95	92	89	87	82	100
		Outlet	103	110	102	98	94	90	88	83	101
	6	Inlet	95	105	97	91	87	84	81	78	95
		Outlet	99	104	98	95	90	86	82	79	97
1070	1	Inlet	106	112	107	99	96	93	92	86	104
		Outlet	108	113	107	102	99	95	94	88	106
	4	Inlet	103	109	106	98	94	91	89	85	102
		Outlet	104	111	105	100	96	92	90	86	103
	8	Inlet	95	105	100	92	89	86	83	80	97
		Outlet	99	103	100	96	92	87	84	81	98
1160	1	Inlet	107	113	110	102	98	95	94	89	106
		Outlet	110	114	111	105	101	98	96	91	108
	5	Inlet	104	110	109	100	96	93	90	87	104
		Outlet	105	111	109	101	98	94	92	88	105
	10	Inlet	97	105	103	94	90	87	85	82	99
		Outlet	101	105	103	98	94	89	86	83	100
1250	1	Inlet	109	114	114	104	100	97	96	91	109
		Outlet	111	115	114	107	103	100	98	93	111
	6	Inlet	105	111	112	102	97	95	92	89	107
		Outlet	107	112	112	103	100	96	93	90	107
	12	Inlet	98	106	106	96	92	89	87	84	101
		Outlet	103	106	106	99	96	91	88	85	102

The sound power level ratings shown are in decibels, referred to 10-12 watts, calculated per AMCA International Standard 301. The A-weighted sound ratings shown have been calculated per AMCA International Standard 301. Values shown are for inlet L_{wi}, L_{wA} and outlet L_{wo}, L_{woA} sound power levels for Installation Type B: free inlet, ducted outlet. Inlet ratings do not include the effects of duct end correction. Outlet ratings include the effects of duct end correction.

540 CA SWSI

RPM	SP	Condition	SOUND POWER re 10-12 WATTS								Lw _i A
			OCTAVE BANDS								
			1	2	3	4	5	6	7	8	
350	1	Inlet	85	80	73	69	65	60	58	58	72
		Outlet	90	82	75	71	66	61	60	59	74
430	1	Inlet	89	88	81	76	73	70	66	63	80
		Outlet	92	89	83	78	74	70	67	64	81
	1.5	Inlet	87	86	79	74	70	66	63	62	77
		Outlet	91	89	81	76	72	67	64	64	80
510	1	Inlet	93	94	86	81	78	75	71	67	85
		Outlet	96	94	88	84	80	77	72	68	87
	2	Inlet	90	90	83	78	74	71	67	65	82
		Outlet	92	92	85	80	76	72	68	66	84
590	1	Inlet	97	98	90	85	82	80	76	71	89
		Outlet	100	99	92	88	84	82	77	72	91
	2	Inlet	95	97	88	83	80	77	73	70	87
		Outlet	97	97	90	86	81	78	74	70	89
	3	Inlet	91	93	84	80	77	74	70	67	84
		Outlet	92	94	87	83	79	75	72	69	86
670	1	Inlet	101	103	93	89	86	84	80	75	93
		Outlet	103	105	95	92	88	86	82	76	95
	2	Inlet	99	102	92	87	84	82	79	74	92
		Outlet	101	103	93	90	86	83	80	75	93
	4	Inlet	93	97	86	82	79	76	74	70	87
		Outlet	95	96	89	86	81	78	75	72	88
750	1	Inlet	103	109	97	92	89	87	84	78	97
		Outlet	105	110	98	95	92	89	86	79	99
	3	Inlet	99	106	95	89	86	84	81	76	95
		Outlet	101	107	95	92	88	85	82	77	96
	5	Inlet	94	102	90	85	82	79	77	73	91
		Outlet	97	100	92	89	85	81	78	75	92
830	1	Inlet	104	111	100	95	92	90	88	81	100
		Outlet	107	112	101	98	95	91	89	82	102
	3	Inlet	102	109	99	93	90	87	85	80	98
		Outlet	103	110	98	96	92	88	86	81	100
	6	Inlet	95	104	93	88	85	82	79	76	93
		Outlet	98	102	95	92	87	83	81	77	94
910	1	Inlet	106	112	103	97	94	92	91	84	102
		Outlet	108	114	103	101	97	94	93	86	104
	4	Inlet	102	110	102	95	92	89	87	83	100
		Outlet	104	111	101	98	94	90	88	84	101
	8	Inlet	96	105	95	90	87	84	81	78	94
		Outlet	101	104	97	94	89	85	83	80	96
990	1	Inlet	108	114	106	100	97	94	93	87	105
		Outlet	110	115	107	103	100	96	95	88	107
	4	Inlet	105	111	106	98	95	92	90	85	103
		Outlet	106	113	105	101	97	93	91	86	104
	8	Inlet	98	108	100	93	90	87	84	81	98
		Outlet	101	105	101	97	93	88	85	82	99
1070	1	Inlet	109	115	110	102	99	96	95	90	107
		Outlet	111	116	110	106	102	98	97	91	109
	5	Inlet	106	112	109	101	96	94	91	87	105
		Outlet	107	113	108	102	99	95	93	89	106
	10	Inlet	99	108	103	95	92	88	86	83	99
		Outlet	103	106	103	99	95	90	87	84	101
1150	1	Inlet	111	116	113	105	101	98	97	92	109
		Outlet	113	117	114	107	104	100	99	93	111
	6	Inlet	107	113	111	103	98	95	93	89	107
		Outlet	108	114	111	104	101	97	94	90	108
	12	Inlet	100	108	105	97	93	90	88	84	101
		Outlet	104	107	106	100	96	92	89	86	103

600 CA SWSI

RPM	SP	Condition	SOUND POWER re 10-12 WATTS								Lw _i A
			OCTAVE BANDS								
			1	2	3	4	5	6	7	8	
300	1	Inlet	84	76	71	67	63	58	58	58	70
		Outlet	90	78	72	70	64	60	62	65	73
375	1	Inlet	90	87	80	76	73	69	66	63	79
		Outlet	93	89	82	78	73	69	66	64	81
	1.5	Inlet	89	84	77	73	69	65	63	62	77
		Outlet	94	87	79	76	71	66	65	66	79
450	1	Inlet	95	93	86	81	78	75	71	67	85
		Outlet	97	93	87	84	80	77	72	68	86
	2	Inlet	92	89	82	78	74	70	67	65	81
		Outlet	94	91	85	80	76	71	68	67	83
525	1	Inlet	99	97	90	85	82	80	76	71	89
		Outlet	101	98	92	88	84	82	77	72	91
	2	Inlet	97	95	88	83	80	77	73	70	87
		Outlet	98	96	90	86	81	78	74	70	88
	3	Inlet	93	91	84	80	77	74	70	68	84
		Outlet	94	93	87	83	78	75	72	70	86
600	1	Inlet	102	102	93	89	86	84	80	75	93
		Outlet	105	103	95	92	88	86	82	75	95
	2	Inlet	101	101	92	88	85	82	79	74	92
		Outlet	103	101	93	90	86	84	80	75	93
	4	Inlet	95	95	86	83	79	77	74	70	86
		Outlet	96	95	90	86	81	78	75	72	88
675	1	Inlet	105	107	97	93	90	88	84	78	97
		Outlet	107	108	99	96	92	89	86	79	99
	3	Inlet	101	105	95	90	87	84	81	77	95
		Outlet	103	106	96	93	89	85	82	77	96
	5	Inlet	97	101	90	86	83	80	77	74	90
		Outlet	98	99	93	89	85	81	78	75	92
750	1	Inlet	107	112	100	95	93	90	88	82	101
		Outlet	109	113	102	99	95	92	89	82	103
	3	Inlet	104	110	99	94	91	88	85	81	99
		Outlet	105	112	99	96	93	89	86	81	100
	6	Inlet	98	106	93	89	86	83	80	76	94
		Outlet	100	103	96	92	88	84	81	78	95
825	1	Inlet	108	114	103	98	95	93	91	85	103
		Outlet	110	115	104	102	98	95	93	86	105
	4	Inlet	105	112	102	96	93	90	88	83	101
		Outlet	106	113	101	99	95	91	89	84	102
	8	Inlet	99	106	95	90	87	85	82	79	95
		Outlet	102	105	98	94	90	86	84	80	97
900	1	Inlet	110	116	106	100	97	95	94	87	105
		Outlet	112	117	107	104	101	97	96	88	107
	5	Inlet	106	113	105	98	95	92	90	85	103
		Outlet	107	114	103	101	97	93	91	86	104
	10	Inlet	100	107	97	92	89	86	84	81	97
		Outlet	104	107	100	96	92	88	86	83	99
975	1	Inlet	111	117	109	103	100	97	96	90	108
		Outlet	113	118	110	106	103	99	98	91	110
	5	Inlet	108	114	108	101	97	95	92	88	105
		Outlet	109	116	107	103	100	96	94	89	107
	10	Inlet	101	110	102	96	93	89	87	83	100
		Outlet	104	108	103	100	95	91	88	85	102
1050	2	Inlet	112	118	112	105	101	99	97	92	109
		Outlet	114	119	112	108	104	101	99	93	111
	6	Inlet	109	115	111	103	99	96	94	90	107
		Outlet	110	116	110	105	102	98	95	91	109
	12	Inlet	102	111	105	98	94	91	89	85	102
		Outlet	106	109	106	101	97	93	90	87	104

The sound power level ratings shown are in decibels, referred to 10-12 watts, calculated per AMCA International Standard 301. The A-weighted sound ratings shown have been calculated per AMCA International Standard 301. Values shown are for inlet L_{wi}, L_{wi}A and outlet L_{wo}, L_{wo}A sound power levels for Installation Type B: free inlet, ducted outlet. Inlet ratings do not include the effects of duct end correction. Outlet ratings include the effects of duct end correction.

660 CA SWSI

RPM	SP	Condition	SOUND POWER re 10-12 WATTS								
			OCTAVE BANDS								LwIA
			1	2	3	4	5	6	7	8	
300	1	Inlet	89	81	74	71	68	63	62	61	75
		Outlet	93	84	77	73	68	63	62	62	76
365	1	Inlet	94	90	82	78	75	71	68	65	82
		Outlet	96	90	84	80	76	73	69	66	83
	2	Inlet	89	83	78	75	71	66	65	64	77
		Outlet	94	86	80	77	72	68	71	75	81
430	1	Inlet	98	94	87	83	80	77	73	69	86
		Outlet	100	94	89	85	82	79	74	69	88
	2	Inlet	96	90	84	80	76	73	70	67	83
		Outlet	97	92	87	82	77	73	70	68	85
495	1	Inlet	102	98	91	87	84	82	77	72	91
		Outlet	104	98	93	90	86	84	78	73	92
	2	Inlet	100	96	89	85	82	79	75	71	88
		Outlet	102	96	91	87	83	80	76	72	90
	3	Inlet	97	92	85	82	78	75	72	69	85
		Outlet	96	93	89	84	80	76	73	70	87
560	1	Inlet	105	102	94	90	87	86	81	75	94
		Outlet	107	103	97	93	89	87	83	76	96
	2	Inlet	103	101	93	89	86	84	80	75	93
		Outlet	105	101	95	92	88	85	81	76	94
	4	Inlet	98	96	88	84	81	78	75	71	88
		Outlet	98	96	91	87	83	79	76	73	90
625	1	Inlet	107	107	98	93	91	89	85	79	98
		Outlet	109	108	100	97	93	91	86	80	100
	3	Inlet	104	105	96	91	88	86	82	78	95
		Outlet	105	106	97	94	90	87	83	78	97
	5	Inlet	99	101	91	87	84	81	78	74	91
		Outlet	100	100	94	90	86	82	79	76	93
690	1	Inlet	109	112	101	96	93	91	88	82	101
		Outlet	110	112	102	100	96	93	90	83	103
	3	Inlet	106	110	99	94	91	89	86	81	99
		Outlet	107	111	100	97	93	90	87	82	101
	6	Inlet	100	106	94	90	86	83	81	77	94
		Outlet	101	103	96	93	89	85	82	79	96
755	1	Inlet	110	115	104	99	96	94	91	85	104
		Outlet	112	116	105	102	98	96	93	86	106
	4	Inlet	107	113	102	96	93	91	88	83	102
		Outlet	108	114	102	99	95	92	89	84	103
	8	Inlet	101	108	95	91	88	85	83	79	96
		Outlet	103	106	98	95	91	87	84	81	98
820	1	Inlet	112	117	106	101	98	96	94	87	106
		Outlet	113	118	107	105	101	98	96	88	108
	5	Inlet	108	114	104	98	95	93	90	86	104
		Outlet	108	115	104	101	97	94	91	86	105
	10	Inlet	102	109	97	93	90	87	85	81	98
		Outlet	105	108	100	97	92	89	86	83	100
885	1	Inlet	113	118	109	103	100	98	96	90	108
		Outlet	114	119	109	107	103	100	98	91	110
	5	Inlet	109	116	107	101	98	95	93	88	106
		Outlet	110	117	106	104	100	96	94	89	107
	10	Inlet	103	112	101	96	93	90	87	84	101
		Outlet	105	109	103	100	96	91	88	85	102
950	1.5	Inlet	114	119	111	105	102	99	98	92	110
		Outlet	115	120	111	108	105	101	100	93	112
	6	Inlet	110	117	110	103	99	97	95	90	108
		Outlet	111	118	109	106	102	98	96	91	109
	12	Inlet	104	113	103	98	94	91	89	86	102
		Outlet	107	110	105	102	97	93	90	87	104

730 CA SWSI

RPM	SP	Condition	SOUND POWER re 10-12 WATTS								
			OCTAVE BANDS								LwIA
			1	2	3	4	5	6	7	8	
250	1	Inlet	85	77	72	68	64	60	60	60	71
		Outlet	89	79	74	70	65	62	64	65	74
310	1	Inlet	93	87	80	77	74	69	67	65	80
		Outlet	96	88	82	79	74	70	67	65	81
	1.5	Inlet	92	84	78	74	70	65	64	64	77
		Outlet	96	86	80	77	71	67	67	68	80
370	1	Inlet	98	92	86	82	79	75	71	68	85
		Outlet	100	93	88	84	81	77	73	69	87
	2	Inlet	96	89	82	78	75	71	68	67	82
		Outlet	98	91	85	81	76	72	69	68	84
430	1	Inlet	103	96	90	86	83	81	76	71	90
		Outlet	105	96	92	89	85	83	77	72	92
	2	Inlet	101	94	87	84	81	78	74	70	87
		Outlet	102	94	90	86	82	78	74	71	89
	3	Inlet	98	90	84	81	77	74	71	69	84
		Outlet	97	92	87	83	79	76	73	71	86
490	1	Inlet	106	100	93	90	87	86	80	75	94
		Outlet	108	100	96	93	89	87	81	75	96
	2	Inlet	104	99	92	88	85	83	79	74	92
		Outlet	106	98	94	91	87	84	80	75	94
	4	Inlet	100	92	86	83	80	78	74	71	87
		Outlet	99	94	90	86	82	79	76	73	89
550	1	Inlet	108	105	97	93	90	89	84	78	97
		Outlet	110	105	99	96	92	91	85	79	99
	3	Inlet	105	103	94	90	87	85	81	77	94
		Outlet	106	103	96	93	89	86	82	77	96
	5	Inlet	101	97	90	86	83	81	77	74	90
		Outlet	101	98	93	89	85	82	79	76	92
610	1	Inlet	110	109	100	96	93	92	87	81	100
		Outlet	112	110	102	99	95	93	89	82	102
	3	Inlet	107	108	99	94	91	89	85	81	98
		Outlet	109	108	100	97	93	90	86	81	100
	6	Inlet	102	103	93	89	86	83	80	77	93
		Outlet	102	102	96	92	88	85	82	78	95
670	1	Inlet	112	114	103	99	96	94	90	84	103
		Outlet	113	114	105	102	98	96	92	85	105
	4	Inlet	108	111	101	96	93	91	88	83	101
		Outlet	110	112	102	99	95	92	89	84	102
	8	Inlet	103	105	95	91	88	85	82	79	95
		Outlet	105	105	98	94	90	87	84	81	97
730	1	Inlet	113	117	106	101	98	96	93	87	106
		Outlet	115	118	107	105	101	98	95	88	108
	4	Inlet	110	115	104	99	96	93	91	86	104
		Outlet	111	116	105	102	98	95	92	87	106
	8	Inlet	104	112	99	94	91	88	85	82	100
		Outlet	105	109	101	98	93	89	86	83	100
790	1	Inlet	114	120	108	103	100	98	96	89	108
		Outlet	116	120	109	107	103	100	98	90	110
	5	Inlet	111	117	107	101	98	95	93	88	106
		Outlet	112	118	106	104	100	96	94	89	108
	10	Inlet	105	113	100	96	93	90	87	84	101
		Outlet	107	110	103	100	95	91	88	85	102
850	1	Inlet	116	121	110	105	102	100	98	92	110
		Outlet	117	122	111	109	105	102	100	93	112
	6	Inlet	112	118	109	103	100	97	95	90	108
		Outlet	112	120	108	106	102	98	96	91	109
	12	Inlet	106	114	102	98	94	91	89	86	103
		Outlet	108	111	105	101	97	93	90	87	104

The sound power level ratings shown are in decibels, referred to 10-12 watts, calculated per AMCA International Standard 301. The A-weighted sound ratings shown have been calculated per AMCA International Standard 301. Values shown are for inlet L_{wi}, L_{wA} and outlet L_{wo}, L_{woA} sound power levels for Installation Type B: free inlet, ducted outlet. Inlet ratings do not include the effects of duct end correction. Outlet ratings include the effects of duct end correction.

120 CA DWDI & CAF-DW

RPM	SP	Condition	SOUND POWER re 10-12 WATTS								L _w A
			OCTAVE BANDS								
			1	2	3	4	5	6	7	8	
1600	1	Inlet	71	76	73	77	74	72	66	60	79
		Outlet	80	76	77	71	70	67	58	50	75
2020	1	Inlet	75	83	81	82	81	78	73	64	85
		Outlet	80	76	77	71	70	67	58	50	75
	1.5	Inlet	73	82	80	81	80	77	72	67	84
		Outlet	86	80	83	78	76	74	67	58	82
	2	Inlet	74	82	79	79	79	77	71	68	84
		Outlet	88	82	83	77	75	73	66	59	81
2440	1	Inlet	81	85	85	87	86	81	79	71	90
		Outlet	92	88	88	90	83	80	77	69	90
	1.5	Inlet	79	85	84	86	85	80	77	69	89
		Outlet	90	87	87	88	82	79	75	67	89
	2	Inlet	77	84	83	85	84	80	76	69	88
		Outlet	89	86	86	87	81	78	74	64	87
2860	1	Inlet	90	89	88	90	89	84	83	77	93
		Outlet	99	91	93	91	87	84	82	77	93
	2	Inlet	88	86	87	88	87	82	81	73	91
		Outlet	98	90	91	89	86	83	80	74	92
	4	Inlet	86	85	84	85	84	80	75	69	88
		Outlet	99	88	89	86	82	79	74	67	88
3280	1	Inlet	98	92	91	94	92	87	86	83	96
		Outlet	105	93	96	96	91	88	86	83	97
	2	Inlet	96	91	90	93	91	86	85	79	95
		Outlet	104	92	95	95	90	87	84	80	96
	5	Inlet	95	87	88	89	87	83	79	72	91
		Outlet	108	90	91	90	86	82	78	71	92
3700	1	Inlet	103	96	95	95	96	90	89	87	100
		Outlet	109	96	99	98	94	91	88	87	100
	3	Inlet	100	93	93	94	95	89	87	83	98
		Outlet	109	94	97	97	93	90	87	83	98
	6	Inlet	101	89	91	90	91	86	83	77	94
		Outlet	115	96	95	92	89	86	82	76	96
4120	1	Inlet	107	99	98	99	99	94	91	91	103
		Outlet	111	100	101	102	97	95	91	90	103
	4	Inlet	103	95	96	97	97	92	89	86	101
		Outlet	111	97	99	100	95	92	89	86	101
	8	Inlet	103	92	94	94	93	89	86	79	97
		Outlet	115	95	96	96	91	88	85	78	98
4540	1	Inlet	110	102	101	100	101	98	94	94	105
		Outlet	114	104	104	103	100	98	94	93	106
	4	Inlet	107	99	99	98	99	96	92	90	103
		Outlet	114	102	102	101	98	96	92	90	104
	12	Inlet	105	95	97	95	95	92	88	81	99
		Outlet	116	99	99	96	94	92	87	81	100
4960	1	Inlet	114	105	104	102	105	101	96	96	108
		Outlet	116	108	105	104	106	100	96	96	109
	4	Inlet	111	102	102	100	104	100	94	93	107
		Outlet	116	107	104	103	104	99	95	93	108
	12	Inlet	109	98	99	97	99	95	91	84	102
		Outlet	118	104	101	98	98	94	90	84	103
5380	1	Inlet	115	109	107	104	106	103	98	98	110
		Outlet	117	112	106	107	106	102	98	98	111
	4	Inlet	113	107	105	103	105	102	97	96	109
		Outlet	118	111	105	106	105	101	97	95	109
	12	Inlet	113	103	100	99	101	98	93	89	105
		Outlet	127	114	103	102	100	97	93	89	107
5800	1	Inlet	117	114	110	106	107	105	100	100	112
		Outlet	119	116	107	109	107	104	101	99	112
	4	Inlet	115	113	108	105	106	104	99	98	111
		Outlet	119	116	106	108	106	103	100	98	111
	12	Inlet	114	111	103	103	102	101	96	93	107
		Outlet	125	119	104	106	102	100	96	93	109

135 CA DWDI & CAF-DW

RPM	SP	Condition	SOUND POWER re 10-12 WATTS								L _w A
			OCTAVE BANDS								
			1	2	3	4	5	6	7	8	
1500	1	Inlet	76	79	76	79	76	73	68	61	81
		Outlet	84	80	81	74	72	70	60	52	78
1860	1	Inlet	78	85	83	84	81	79	73	65	86
		Outlet	89	84	87	81	78	77	70	60	85
	1.5	Inlet	76	84	81	83	81	79	73	67	86
		Outlet	88	83	85	79	77	76	69	60	83
	2	Inlet	76	84	80	82	80	78	72	69	85
		Outlet	88	83	85	78	76	75	67	59	82
2220	1	Inlet	83	87	87	88	86	82	80	71	90
		Outlet	92	89	90	88	84	81	78	70	90
	1.5	Inlet	82	86	86	87	85	82	78	69	90
		Outlet	91	88	89	87	83	80	76	68	89
	3	Inlet	79	85	83	84	83	80	74	69	87
		Outlet	90	87	86	83	80	77	71	63	86
2580	1	Inlet	89	90	89	92	89	85	84	77	94
		Outlet	98	93	93	94	88	85	83	78	95
	2	Inlet	87	88	88	91	88	83	81	73	93
		Outlet	96	92	92	92	87	84	81	74	93
	4	Inlet	84	86	85	88	85	81	75	70	89
		Outlet	96	90	88	88	83	80	75	67	89
2940	1	Inlet	99	94	92	94	93	88	87	83	97
		Outlet	105	95	97	95	92	89	87	83	98
	3	Inlet	96	90	91	92	91	86	84	76	95
		Outlet	105	93	96	93	90	87	84	77	95
	5	Inlet	95	89	88	89	88	84	79	73	92
		Outlet	109	93	94	89	87	83	79	71	93
3300	1	Inlet	103	97	95	98	96	91	90	87	101
		Outlet	109	97	100	100	95	92	90	87	101
	3	Inlet	100	94	94	96	95	89	88	82	99
		Outlet	108	96	98	98	93	90	88	83	99
	6	Inlet	100	91	92	93	91	87	83	77	95
		Outlet	115	96	95	94	90	87	83	76	96
3660	1	Inlet	108	101	98	99	100	94	92	91	103
		Outlet	112	100	102	102	98	95	92	91	104
	4	Inlet	104	97	97	97	98	92	90	85	101
		Outlet	112	97	100	100	96	93	90	86	102
	8	Inlet	103	94	95	94	94	89	86	79	98
		Outlet	115	96	98	96	92	89	85	78	98
4020	1	Inlet	111	103	101	103	102	97	95	94	106
		Outlet	114	103	104	106	100	97	94	94	107
	4	Inlet	108	100	100	101	100	95	93	90	104
		Outlet	114	101	102	104	98	96	93	90	105
	10	Inlet	106	97	98	97	96	92	88	81	100
		Outlet	116	97	99	99	94	91	87	81	100
4380	1	Inlet	113	105	104	103	104	100	96	96	108
		Outlet	117	106	106	106	103	100	96	96	108
	4	Inlet	111	103	103	102	103	99	95	93	106
		Outlet	116	104	105	105	101	99	95	93	107
	12	Inlet	108	99	100	98	98	94	91	84	102
		Outlet	117	101	101	99	96	94	90	83	102
4740	1	Inlet	117	108	107	104	106	103	98	99	110
		Outlet	119	110	109	107	105	103	99	98	110
	4	Inlet	115	105	105	103	105	102	97	96	109
		Outlet	119	108	107	106	104	102	98	96	109
	12	Inlet	114	99	102	99	100	98	94	89	105
		Outlet	128	109	105	101	99	98	93	88	107
5100	1	Inlet	119	110	109	106	109	105	100	100	112
		Outlet	120	113	109	109	110	104	101	100	113
	4	Inlet	117	108	108	105	108	104	99	98	111
		Outlet	120	112	108	108	108	103	100	98	112
	12	Inlet	116	104	104	102	105	101	96	92	108
		Outlet	126	112	106	104	105	100	96	92	109

The sound power level ratings shown are in decibels, referred to 10-12 watts, calculated per AMCA International Standard 301. The A-weighted sound ratings shown have been calculated per AMCA International Standard 301. Values shown are for inlet L_{wi}, L_{wA} and outlet L_{wo}, L_{woA} sound power levels for Installation Type B: free inlet, ducted outlet. Inlet ratings do not include the effects of duct end correction. Outlet ratings include the effects of duct end correction.

CA DWI & CAF-DW Sound Data

150 CA DWI & CAF-DW

RPM	SP	Condition	SOUND POWER re 10-12 WATTS								L _w A
			OCTAVE BANDS								
			1	2	3	4	5	6	7	8	
1200	1	Inlet	69	71	71	72	68	65	64	58	74
		Outlet	70	74	75	69	67	65	59	54	73
1480	1	Inlet	74	78	80	79	75	74	67	64	81
		Outlet	86	80	84	76	74	75	64	57	81
	1.5	Inlet	72	76	78	76	73	71	67	65	79
		Outlet	85	78	80	74	71	71	64	62	78
1760	1	Inlet	80	82	85	83	79	79	73	69	86
		Outlet	88	84	88	82	79	80	73	62	86
	1.5	Inlet	77	81	83	82	78	78	72	69	84
		Outlet	88	82	86	81	78	78	70	62	84
	2	Inlet	76	79	82	80	77	76	70	69	83
		Outlet	87	81	83	79	76	75	69	64	82
2040	1	Inlet	86	85	88	88	84	83	80	75	90
		Outlet	92	88	91	88	85	83	80	70	91
	1.5	Inlet	84	84	87	87	83	82	78	73	89
		Outlet	89	87	90	87	84	83	78	67	90
	3	Inlet	80	81	83	83	79	77	74	73	85
		Outlet	87	83	85	82	79	77	72	67	85
2320	1	Inlet	91	88	89	92	89	85	85	82	94
		Outlet	96	93	93	92	89	87	84	77	95
	2	Inlet	90	86	87	90	88	84	82	78	92
		Outlet	92	91	91	90	88	85	82	72	93
	4	Inlet	85	84	84	86	83	77	76	77	88
		Outlet	92	88	88	86	84	79	75	69	89
2600	1	Inlet	93	94	91	95	92	88	88	86	97
		Outlet	101	96	96	95	92	90	88	82	98
	3	Inlet	90	90	88	92	89	85	84	81	94
		Outlet	95	93	92	92	90	87	84	75	95
	5	Inlet	86	88	86	89	85	80	78	79	90
		Outlet	95	90	90	89	86	83	78	72	91
2880	1	Inlet	93	99	94	97	95	90	90	90	100
		Outlet	105	98	98	98	95	93	90	87	101
	3	Inlet	90	97	92	95	93	88	88	84	98
		Outlet	100	96	96	95	93	91	89	80	98
	6	Inlet	87	92	88	92	88	83	81	82	93
		Outlet	97	92	91	91	88	86	81	75	94
3160	1	Inlet	94	101	96	99	97	93	93	102	
		Outlet	108	100	100	101	97	95	92	90	103
	4	Inlet	91	99	93	97	95	90	90	86	100
		Outlet	102	98	97	97	94	93	91	83	100
	8	Inlet	89	96	91	93	90	85	80	83	95
		Outlet	106	98	98	96	91	89	83	78	98
3440	1	Inlet	96	104	99	101	100	95	95	95	104
		Outlet	110	101	103	103	99	97	95	93	105
	4	Inlet	93	102	96	99	98	93	93	90	102
		Outlet	105	98	100	100	97	96	93	87	103
	8	Inlet	91	97	93	96	93	89	87	86	98
		Outlet	101	95	96	96	93	91	87	81	99
3720	1	Inlet	98	107	101	103	102	97	96	97	107
		Outlet	113	103	105	105	101	100	97	95	107
	4	Inlet	96	106	99	101	101	95	95	93	105
		Outlet	108	99	103	103	100	98	96	91	106
	10	Inlet	94	99	96	97	95	90	88	88	100
		Outlet	104	95	98	98	95	92	88	84	100
4000	1	Inlet	100	108	104	104	104	100	98	99	108
		Outlet	115	106	107	107	103	101	99	97	109
	4	Inlet	97	106	102	103	103	98	97	95	107
		Outlet	111	102	105	105	102	100	98	94	108
	12	Inlet	95	100	98	98	97	92	88	88	101
		Outlet	108	99	101	101	97	95	90	85	102

165 CA DWI & CAF-DW

RPM	SP	Condition	SOUND POWER re 10-12 WATTS								L _w A
			OCTAVE BANDS								
			1	2	3	4	5	6	7	8	
1200	1	Inlet	73	75	76	76	72	70	66	60	78
		Outlet	74	77	81	73	72	69	61	55	78
1460	1	Inlet	78	81	83	82	77	77	70	65	84
		Outlet	86	83	87	80	78	78	66	58	84
	1.5	Inlet	76	79	81	80	76	75	70	66	82
		Outlet	87	81	84	78	76	75	66	61	82
	2	Inlet	77	79	80	78	74	71	69	66	80
		Outlet	86	83	83	76	74	72	66	64	80
1720	1	Inlet	84	85	87	86	82	82	77	71	88
		Outlet	89	87	90	85	83	82	76	66	89
	1.5	Inlet	82	83	86	85	81	81	75	70	87
		Outlet	88	86	88	84	81	81	73	64	87
	2	Inlet	80	82	85	83	79	79	73	71	86
		Outlet	89	84	86	82	80	79	71	64	86
1980	1	Inlet	89	88	90	90	86	85	83	78	92
		Outlet	93	91	93	90	87	86	82	73	93
	1.5	Inlet	89	87	89	90	85	84	81	76	92
		Outlet	90	90	92	89	86	85	80	71	92
	3	Inlet	84	84	86	86	82	80	77	75	88
		Outlet	88	87	88	85	83	80	75	67	88
2240	1	Inlet	94	91	92	94	90	87	87	84	96
		Outlet	97	96	96	94	92	89	86	80	97
	2	Inlet	93	89	90	93	89	86	84	81	95
		Outlet	94	94	94	92	91	88	84	75	95
	4	Inlet	87	86	87	89	85	81	79	79	91
		Outlet	91	90	90	88	87	82	79	70	91
2500	1	Inlet	97	95	94	97	94	90	90	88	99
		Outlet	103	98	98	97	95	92	90	84	100
	3	Inlet	95	92	91	95	92	88	87	83	97
		Outlet	98	96	95	94	93	90	87	77	98
	5	Inlet	90	90	89	92	89	83	82	82	93
		Outlet	95	92	92	91	89	85	82	74	94
2760	1	Inlet	97	100	96	99	96	92	92	92	102
		Outlet	106	100	100	100	97	95	92	89	102
	3	Inlet	95	98	94	98	95	91	90	87	100
		Outlet	102	98	98	98	95	93	90	83	101
	6	Inlet	90	94	91	94	91	86	85	84	96
		Outlet	98	94	94	94	91	89	85	77	96
3020	1	Inlet	97	104	98	102	99	95	95	95	104
		Outlet	110	103	102	103	99	97	94	92	105
	4	Inlet	94	103	96	100	97	92	93	89	102
		Outlet	104	100	100	100	97	95	93	85	103
	8	Inlet	91	98	92	96	92	87	86	86	97
		Outlet	102	96	95	95	93	90	85	79	98
3280	1	Inlet	99	106	101	103	101	97	96	97	106
		Outlet	112	104	104	105	101	99	96	95	107
	4	Inlet	96	104	99	102	100	95	95	92	104
		Outlet	107	101	102	102	99	98	95	89	105
	10	Inlet	94	99	95	97	94	89	86	87	99
		Outlet	107	99	100	99	95	92	87	82	101
3540	1	Inlet	101	108	103	105	103	99	98	99	108
		Outlet	115	105	106	107	103	101	98	97	109
	4	Inlet	98	107	101	103	102	97	97	95	107
		Outlet	110	102	104	105	101	100	97	93	107
	12	Inlet	96	102	98	99	96	91	87	88	101
		Outlet	111	101	103	102	97	95	89	84	103
3800	1.5	Inlet	102	110	105	106	105	101	100	100	110
		Outlet	117	107	108	109	105	103	100	99	111
	4	Inlet	100	110	104	105	105	99	99	97	109
		Outlet	113	104	107	107	103	102	99	96	110
	10	Inlet	98	104	100	102	101	95	95	92	105
		Outlet	107	99	104	103	100	98	95	90	106

The sound power level ratings shown are in decibels, referred to 10-12 watts, calculated per AMCA International Standard 301. The A-weighted sound ratings shown have been calculated per AMCA International Standard 301. Values shown are for inlet L_{wi}, L_{wA} and outlet L_{wo}, L_{woA} sound power levels for Installation Type B: free inlet, ducted outlet. Inlet ratings do not include the effects of duct end correction. Outlet ratings include the effects of duct end correction.

180 CA DWDI & CAF-DW

RPM	SP	Condition	SOUND POWER re 10-12 WATTS								L _w A
			OCTAVE BANDS								
			1	2	3	4	5	6	7	8	
1000	1	Inlet	69	75	74	72	71	66	62	56	75
		Outlet	74	81	73	71	70	63	58	52	74
1240	1	Inlet	77	79	83	80	78	77	69	63	83
		Outlet	82	84	87	79	78	77	66	59	84
	1.5	Inlet	76	78	81	79	76	74	67	62	81
		Outlet	78	82	84	77	76	73	63	58	81
1480	1	Inlet	83	85	89	86	83	82	76	71	89
		Outlet	85	90	93	84	83	83	74	68	90
	1.5	Inlet	82	84	87	84	82	81	73	71	88
		Outlet	83	88	92	82	82	82	71	67	88
	2	Inlet	82	83	86	83	81	80	71	71	87
		Outlet	82	86	89	81	80	80	68	66	86
1720	1	Inlet	88	88	92	90	87	85	81	75	92
		Outlet	90	92	96	89	87	86	81	73	93
	1.5	Inlet	87	87	91	89	86	84	79	73	91
		Outlet	89	91	95	88	87	86	78	71	93
	3	Inlet	85	84	89	85	83	81	75	72	88
		Outlet	85	88	91	84	82	81	73	68	88
1960	1	Inlet	92	91	95	93	90	87	84	79	95
		Outlet	95	95	99	93	91	88	85	77	97
	2	Inlet	90	88	94	92	88	86	82	76	94
		Outlet	92	93	99	92	90	88	82	74	96
	4	Inlet	89	85	91	88	85	83	78	75	91
		Outlet	89	91	94	88	86	83	77	71	91
2200	1	Inlet	95	93	96	97	93	89	86	83	98
		Outlet	99	99	99	99	95	91	87	81	100
	3	Inlet	92	90	94	95	91	87	84	79	96
		Outlet	95	96	96	97	93	89	84	77	98
	5	Inlet	90	88	91	92	88	84	81	78	93
		Outlet	92	95	94	93	89	86	81	74	95
2440	1	Inlet	98	97	97	101	96	92	87	86	102
		Outlet	101	103	100	103	98	94	89	85	103
	3	Inlet	96	93	95	100	94	89	85	83	100
		Outlet	98	100	97	104	97	93	87	81	103
	6	Inlet	94	90	91	97	91	86	83	81	97
		Outlet	95	100	95	98	93	88	85	77	98
2680	1	Inlet	100	101	99	103	98	95	90	88	104
		Outlet	103	105	102	104	100	97	91	88	105
	4	Inlet	96	97	95	101	96	92	88	85	101
		Outlet	99	102	99	103	99	96	89	83	104
	8	Inlet	92	94	92	98	92	88	85	83	98
		Outlet	95	100	99	98	94	90	85	79	99
2920	1	Inlet	102	104	100	106	101	97	92	91	106
		Outlet	106	108	104	106	102	99	94	90	108
	4	Inlet	97	102	97	104	99	95	91	88	104
		Outlet	101	105	102	107	101	99	92	87	107
	8	Inlet	93	99	94	101	96	91	89	86	102
		Outlet	97	102	104	102	97	95	90	83	104
3160	1	Inlet	104	106	102	108	103	99	95	93	108
		Outlet	108	109	107	108	104	102	96	93	109
	4	Inlet	100	104	100	106	101	97	93	91	106
		Outlet	104	107	104	108	102	101	95	90	109
	10	Inlet	94	101	95	102	97	93	91	88	103
		Outlet	98	102	105	103	98	97	92	85	105
3400	1	Inlet	106	108	104	109	105	101	97	95	110
		Outlet	109	111	109	109	105	103	98	95	111
	4	Inlet	102	106	102	107	103	99	96	93	108
		Outlet	106	108	106	109	104	103	97	92	110
	12	Inlet	96	102	97	103	98	94	92	89	104
		Outlet	99	103	106	104	100	98	94	87	106

195 CA DWDI & CAF-DW

RPM	SP	Condition	SOUND POWER re 10-12 WATTS								L _w A
			OCTAVE BANDS								
			1	2	3	4	5	6	7	8	
1000	1	Inlet	73	79	77	76	75	70	66	59	79
		Outlet	78	84	77	75	75	68	61	54	79
1220	1	Inlet	81	82	86	83	80	79	71	65	86
		Outlet	85	87	91	81	81	80	68	62	87
	1.5	Inlet	79	81	84	81	79	78	70	64	84
		Outlet	82	85	87	80	79	76	66	61	84
	2	Inlet	82	82	82	80	75	73	69	64	82
		Outlet	87	88	86	77	75	71	65	60	82
1440	1	Inlet	85	87	91	88	85	84	77	72	91
		Outlet	87	92	94	86	85	85	76	69	91
	1.5	Inlet	84	86	90	86	84	83	75	72	90
		Outlet	86	90	93	85	84	84	73	68	90
	2	Inlet	84	85	88	85	83	82	73	72	88
		Outlet	84	89	91	83	83	82	71	67	89
1660	1	Inlet	90	90	94	91	88	86	82	76	94
		Outlet	93	94	97	91	89	87	82	74	95
	1.5	Inlet	89	89	93	90	87	85	81	75	93
		Outlet	91	93	97	90	89	87	80	72	94
	3	Inlet	87	86	91	87	85	84	77	74	91
		Outlet	88	91	93	86	85	84	75	70	91
1880	1	Inlet	94	92	98	94	91	88	85	80	97
		Outlet	97	97	101	94	93	89	86	79	98
	2	Inlet	93	90	97	93	90	87	83	78	95
		Outlet	95	95	101	93	92	89	83	76	98
	4	Inlet	91	88	94	90	86	85	80	76	93
		Outlet	92	95	96	90	88	86	79	72	94
2100	1	Inlet	97	95	99	98	94	90	87	84	99
		Outlet	101	101	101	99	96	92	88	82	101
	3	Inlet	94	91	96	96	92	88	84	80	97
		Outlet	97	97	99	97	95	90	85	78	100
	5	Inlet	91	90	94	93	89	86	82	79	95
		Outlet	94	97	96	94	91	87	83	75	96
2320	1	Inlet	100	98	100	102	97	93	89	87	103
		Outlet	103	104	101	103	99	95	90	86	104
	3	Inlet	98	95	97	100	95	91	87	84	101
		Outlet	100	101	99	104	98	94	88	82	104
	6	Inlet	95	92	94	98	92	88	85	82	98
		Outlet	97	101	97	99	95	90	86	79	100
2540	1	Inlet	102	101	101	105	99	95	91	89	105
		Outlet	105	107	103	105	101	97	92	89	106
	4	Inlet	99	98	98	102	97	93	89	86	103
		Outlet	101	103	100	106	100	96	90	84	106
	8	Inlet	96	95	94	100	94	89	86	85	100
		Outlet	97	102	99	100	96	92	88	81	101
2760	1	Inlet	104	105	102	107	102	98	93	92	107
		Outlet	107	109	105	107	103	100	95	91	108
	4	Inlet	100	102	99	105	100	96	92	89	105
		Outlet	103	106	103	107	102	99	93	88	108
	10	Inlet	95	98	95	101	95	91	88	86	101
		Outlet	98	102	103	101	97	94	88	83	103
2980	1	Inlet	105	108	104	109	104	100	95	94	110
		Outlet	109	111	107	110	105	102	97	94	111
	4	Inlet	102	106	101	108	102	98	94	92	108
		Outlet	105	108	105	110	104	102	96	91	110
	12	Inlet	96	101	97	104	97	92	90	88	104
		Outlet	100	103	106	103	98	96	90	85	105
3200	2	Inlet	106	109	105	110	105	102	97	95	111
		Outlet	110	112	109	111	106	104	99	96	112
	6	Inlet	102	107	102	108	103	99	96	93	109
		Outlet	105	108	106	110	105	104	97	92	111
	12	Inlet	97	104	98	105	100	96	94	90	106
		Outlet	101	105	107	106	101	99	95	88	107

The sound power level ratings shown are in decibels, referred to 10-12 watts, calculated per AMCA International Standard 301. The A-weighted sound ratings shown have been calculated per AMCA International Standard 301. Values shown are for inlet L_{wi}, L_{wi}A and outlet L_{wo}, L_{wo}A sound power levels for Installation Type B: free inlet, ducted outlet. Inlet ratings do not include the effects of duct end correction. Outlet ratings include the effects of duct end correction.

CA DWDI & CAF-DW Sound Data

210 CA DWDI & CAF-DW

RPM	SP	Condition	SOUND POWER re 10-12 WATTS								L _w A	
			OCTAVE BANDS									
			1	2	3	4	5	6	7	8		
900	1	Inlet	78	80	76	74	73	65	62	57	77	
		Outlet	80	86	75	75	73	64	59	55	77	
1100	1	Inlet	83	85	85	82	80	74	69	63	84	
		Outlet	84	88	88	81	80	74	67	60	85	
	1.5	Inlet	83	84	83	80	78	71	67	62	82	
		Outlet	84	87	88	79	78	71	65	60	84	
1300	1	Inlet	87	87	91	87	85	81	76	69	90	
		Outlet	88	90	93	87	85	81	75	66	90	
	1.5	Inlet	87	86	90	86	84	79	74	68	88	
		Outlet	87	89	93	85	84	79	72	65	89	
	2	Inlet	86	85	89	84	82	77	72	67	87	
		Outlet	86	87	93	83	83	77	70	64	88	
1500	1	Inlet	91	89	96	91	88	85	80	75	94	
		Outlet	92	94	98	91	90	86	80	72	95	
	1.5	Inlet	90	88	95	90	88	84	79	74	93	
		Outlet	90	93	98	90	89	85	79	71	94	
	3	Inlet	87	86	92	86	84	80	74	71	89	
		Outlet	87	89	99	86	85	80	73	68	92	
1700	1	Inlet	94	91	97	94	91	89	84	79	97	
		Outlet	96	97	99	94	93	89	84	77	98	
	2	Inlet	92	89	96	92	90	87	82	77	95	
		Outlet	93	94	98	93	92	88	82	76	97	
	4	Inlet	87	86	92	88	85	83	76	73	91	
		Outlet	88	90	96	89	88	83	76	71	93	
		1	Inlet	98	93	101	97	94	91	87	83	100
			Outlet	100	100	104	98	96	92	87	81	101
1900	3	Inlet	95	89	99	94	91	89	84	80	97	
		Outlet	95	96	103	96	94	90	84	78	99	
	5	Inlet	90	86	96	91	87	85	79	76	93	
		Outlet	91	92	101	93	90	86	79	74	97	
	2100	1	Inlet	101	96	101	101	97	94	90	86	102
			Outlet	101	103	103	102	99	95	91	85	104
3		Inlet	99	93	99	99	95	92	88	84	101	
		Outlet	98	99	101	100	98	94	88	83	102	
6	Inlet	93	89	95	95	90	88	82	79	96		
	Outlet	92	95	99	97	94	89	82	77	99		
2300	1	Inlet	104	100	101	105	100	97	93	89	106	
		Outlet	103	106	103	107	101	98	93	88	107	
	4	Inlet	101	96	99	103	97	95	90	86	103	
		Outlet	99	101	101	105	100	96	91	85	105	
	8	Inlet	96	92	95	98	92	89	83	80	98	
		Outlet	96	99	98	100	95	91	84	79	101	
2500	1	Inlet	106	103	102	108	102	99	95	92	108	
		Outlet	104	108	104	109	103	100	96	91	109	
	4	Inlet	104	100	100	106	100	97	93	89	106	
		Outlet	101	104	102	108	102	99	94	88	108	
	8	Inlet	98	95	96	102	96	93	87	84	102	
		Outlet	95	99	98	106	100	95	89	82	106	
2700	1	Inlet	108	106	104	109	104	101	97	94	110	
		Outlet	106	109	106	110	105	103	98	93	111	
	4	Inlet	106	104	102	107	102	100	95	92	108	
		Outlet	103	106	104	108	104	101	96	91	109	
	10	Inlet	98	98	97	102	97	95	89	86	103	
		Outlet	97	100	99	105	100	97	90	84	105	
2900	1	Inlet	110	109	105	111	106	103	100	96	112	
		Outlet	108	111	108	112	107	105	100	96	113	
	4	Inlet	107	107	103	110	104	102	98	94	110	
		Outlet	105	108	107	111	105	104	99	94	112	
	12	Inlet	99	101	98	104	98	96	91	87	105	
		Outlet	98	101	101	108	101	98	92	86	108	

225 CA DWDI & CAF-DW

RPM	SP	Condition	SOUND POWER re 10-12 WATTS								L _w A
			OCTAVE BANDS								
			1	2	3	4	5	6	7	8	
900	1	Inlet	80	83	79	77	76	68	65	60	80
		Outlet	82	88	78	78	76	68	62	57	80
1080	1	Inlet	85	87	87	84	82	77	71	65	86
		Outlet	86	90	89	84	82	77	69	62	87
	1.5	Inlet	85	86	85	82	80	74	70	64	85
		Outlet	86	90	88	81	81	73	67	61	85
	2	Inlet	85	85	82	79	78	72	69	65	83
		Outlet	86	87	85	79	78	71	66	61	83
1260	1	Inlet	89	88	93	88	86	82	77	70	91
		Outlet	90	92	95	88	87	82	76	68	92
	1.5	Inlet	88	87	92	87	85	80	75	69	90
		Outlet	89	90	95	87	86	81	74	67	91
	2	Inlet	88	87	91	86	84	79	73	68	89
		Outlet	88	88	96	86	84	79	72	66	90
1440	1	Inlet	92	90	96	92	89	86	81	76	95
		Outlet	94	95	98	92	91	87	81	73	96
	1.5	Inlet	91	90	96	91	89	85	80	74	94
		Outlet	92	94	98	91	90	86	80	72	95
	3	Inlet	88	87	93	88	86	81	75	71	91
		Outlet	89	90	98	88	87	81	74	69	93
1620	1	Inlet	95	92	99	95	92	89	85	80	98
		Outlet	98	98	100	95	94	90	85	78	99
	2	Inlet	94	91	97	93	91	88	83	78	96
		Outlet	95	96	100	94	93	89	83	76	98
	4	Inlet	89	87	94	89	87	83	78	74	92
		Outlet	90	92	98	91	89	84	77	71	94
1800	1	Inlet	99	94	102	97	94	92	88	84	100
		Outlet	101	100	104	98	97	93	88	82	102
	3	Inlet	96	91	99	95	92	90	85	80	98
		Outlet	97	97	102	96	95	91	85	79	100
	5	Inlet	91	87	96	91	88	86	80	76	94
		Outlet	92	93	100	94	92	87	80	74	97
1980	1	Inlet	102	97	104	101	97	95	90	87	103
		Outlet	102	103	106	101	99	95	91	85	104
	3	Inlet	100	94	102	99	95	93	88	84	101
		Outlet	99	100	104	100	98	94	89	83	103
	6	Inlet	94	90	98	95	91	89	83	80	97
		Outlet	93	96	102	96	94	90	83	77	100
2160	1	Inlet	105	100	104	104	100	97	93	90	106
		Outlet	104	106	105	105	102	98	94	88	107
	4	Inlet	102	96	101	102	98	95	90	86	103
		Outlet	100	102	103	103	100	96	91	85	105
	8	Inlet	96	92	97	97	92	89	83	81	98
		Outlet	96	99	100	99	96	91	84	79	100
2340	1	Inlet	107	103	104	108	102	99	95	92	109
		Outlet	105	109	105	110	104	101	96	91	110
	4	Inlet	105	100	101	106	101	98	93	89	107
		Outlet	102	105	103	109	103	99	94	88	109
	8	Inlet	99	95	97	103	97	94	88	85	103
		Outlet	96	100	99	108	101	95	89	83	107
2520	1	Inlet	109	106	105	110	104	101	98	94	110
		Outlet	107	110	107	111	106	103	98	93	112
	2	Inlet	107	103	103	108	103	100	96	92	109
		Outlet	104	107	105	110	105	102	96	91	110
	4	Inlet	100	97	98	104	98	95	89	86	104
		Outlet	97	101	100	107	101	97	90	84	107
2700	1	Inlet	111	109	106	111	106	103	100	96	112
		Outlet	108	112	109	112	107	105	100	95	113
	4	Inlet	109	107	104	110	105	102	98	94	110
		Outlet	106	109	107	111	106	104	99	94	112
	12	Inlet	100	100	99	104	99	96	91	87	104
		Outlet	99	102	101	107	101	98	92	86	107

The sound power level ratings shown are in decibels, referred to 10-12 watts, calculated per AMCA International Standard 301. The A-weighted sound ratings shown have been calculated per AMCA International Standard 301. Values shown are for inlet L_{wi}, L_{wA} and outlet L_{wo}, L_{woA} sound power levels for Installation Type B: free inlet, ducted outlet. Inlet ratings do not include the effects of duct end correction. Outlet ratings include the effects of duct end correction.

245 CA DWDI & CAF-DW

RPM	SP	Condition	SOUND POWER re 10-12 WATTS								L _w A
			OCTAVE BANDS								
			1	2	3	4	5	6	7	8	
850	1	Inlet	80	84	82	79	76	70	64	57	81
		Outlet	80	90	81	77	76	72	62	56	81
	1.5	Inlet	78	81	80	77	75	68	63	58	79
1030	1	Outlet	77	85	78	75	75	66	59	55	78
		Inlet	87	89	89	85	82	78	73	64	87
	1.5	Outlet	87	94	90	84	82	81	74	66	88
		Inlet	84	88	88	84	81	76	69	62	86
	2	Outlet	84	94	89	82	81	77	68	62	87
		Inlet	82	86	86	82	80	74	67	61	84
1210	1	Outlet	81	92	87	80	79	74	65	60	85
		Inlet	91	89	97	91	86	82	80	71	93
	1.5	Outlet	92	94	97	90	87	84	82	73	94
		Inlet	89	88	96	90	85	81	77	69	92
	3	Outlet	90	92	97	89	86	83	79	70	93
		Inlet	85	84	91	87	82	78	72	67	88
1390	1	Outlet	84	88	93	85	82	78	71	66	89
		Inlet	95	92	99	94	90	85	83	77	96
	2	Outlet	96	96	99	94	92	87	85	78	97
		Inlet	93	90	98	92	88	84	81	74	94
	4	Outlet	94	94	97	92	90	85	82	75	95
		Inlet	89	85	93	88	84	80	76	71	90
1570	1	Outlet	88	89	94	88	85	81	76	70	91
		Inlet	100	94	103	97	93	89	86	83	99
	3	Outlet	100	99	101	97	96	90	87	83	100
		Inlet	98	90	100	94	90	85	83	76	97
	5	Outlet	96	95	99	94	93	87	83	77	97
		Inlet	95	87	96	91	87	83	79	73	93
1750	1	Outlet	92	91	97	91	89	83	79	74	94
		Inlet	103	97	105	100	96	92	89	87	102
	3	Outlet	103	102	104	100	98	94	90	87	103
		Inlet	102	95	103	98	94	90	87	83	100
	6	Outlet	100	99	102	98	96	91	88	84	101
		Inlet	98	89	99	94	90	86	82	76	96
1930	1	Outlet	94	94	99	93	92	87	82	77	97
		Inlet	106	101	108	104	99	95	91	91	105
	3	Outlet	106	104	106	103	101	97	92	91	106
		Inlet	106	99	107	103	97	93	89	88	104
	6	Outlet	103	102	104	101	99	95	91	88	104
		Inlet	103	93	104	99	94	90	86	79	101
2110	1	Outlet	98	97	104	98	96	91	87	80	101
		Inlet	108	104	107	108	102	98	93	93	108
	4	Outlet	108	106	108	106	103	100	95	93	108
		Inlet	108	102	106	106	100	96	91	90	106
	8	Outlet	104	104	105	104	102	97	93	90	106
		Inlet	105	96	102	102	96	92	88	82	102
2290	1	Outlet	99	98	103	101	98	93	88	83	103
		Inlet	110	108	107	111	105	100	95	95	111
	4	Outlet	110	108	109	109	106	102	97	95	111
		Inlet	110	106	106	110	103	98	94	93	110
	10	Outlet	107	106	107	107	104	100	95	93	109
		Inlet	107	99	101	105	99	94	89	84	105
2470	1	Outlet	100	99	103	105	100	95	90	85	105
		Inlet	112	111	108	114	107	103	98	97	113
	4	Outlet	112	110	110	111	108	105	99	98	113
		Inlet	112	110	106	113	106	101	96	95	112
	12	Outlet	109	108	109	109	106	103	98	96	111
		Inlet	109	102	101	107	101	96	91	87	107
2650	2	Outlet	102	100	103	107	101	97	92	87	107
		Inlet	113	113	108	115	108	104	99	98	114
	6	Outlet	113	112	112	113	109	107	101	99	114
		Inlet	113	112	107	113	107	102	97	96	113
	12	Outlet	110	109	109	110	107	105	99	97	112
		Inlet	111	107	102	110	103	99	94	89	109

270 CA DWDI & CAF-DW

RPM	SP	Condition	SOUND POWER re 10-12 WATTS								L _w A
			OCTAVE BANDS								
			1	2	3	4	5	6	7	8	
700	1	Inlet	75	82	80	76	73	65	59	53	78
		Outlet	78	89	77	75	73	64	56	53	78
860	1	Inlet	85	88	87	83	80	75	68	61	85
		Outlet	84	93	85	82	80	78	68	61	86
	1.5	Inlet	82	87	85	81	79	72	66	59	84
		Outlet	82	93	83	79	79	72	62	58	83
1020	1	Inlet	90	93	92	88	84	81	76	68	90
		Outlet	90	96	93	88	85	84	78	69	91
	1.5	Inlet	88	92	91	87	83	79	74	66	89
		Outlet	88	96	91	86	84	81	74	66	90
1180	1	Inlet	85	91	90	85	82	77	71	63	88
		Outlet	86	96	90	84	82	78	69	63	88
	1.5	Inlet	93	93	99	93	88	84	82	74	95
		Outlet	95	96	98	93	89	86	84	75	96
	3	Inlet	92	92	98	92	87	83	81	72	94
		Outlet	93	96	97	92	88	85	83	74	95
1340	1	Inlet	87	88	95	89	84	80	74	67	91
		Outlet	88	92	97	89	85	80	74	67	92
	2	Inlet	98	94	101	96	92	87	86	79	98
		Outlet	99	99	100	96	94	89	87	80	99
	4	Inlet	96	93	100	94	90	85	84	76	97
		Outlet	97	97	99	95	92	87	85	78	97
1500	1	Inlet	91	89	96	91	86	82	77	70	93
		Outlet	90	93	97	91	88	83	78	71	94
	3	Inlet	102	96	106	99	95	90	88	85	102
		Outlet	102	101	103	99	98	92	89	84	102
	5	Inlet	100	93	104	97	92	88	85	79	99
		Outlet	99	98	102	97	95	89	86	80	100
1660	1	Inlet	97	90	101	94	89	85	81	73	96
		Outlet	94	94	101	94	92	86	81	74	97
	3	Inlet	105	99	107	102	98	93	91	88	104
		Outlet	105	104	105	102	100	95	92	88	105
	6	Inlet	104	97	105	100	96	92	89	85	102
		Outlet	102	102	104	100	98	93	90	86	103
1820	1	Inlet	100	92	102	96	92	88	84	77	98
		Outlet	96	96	102	96	94	89	85	78	99
	4	Inlet	108	102	109	105	100	96	93	92	107
		Outlet	107	106	108	104	103	98	94	92	107
	8	Inlet	107	99	108	103	98	94	90	87	105
		Outlet	103	103	106	102	100	95	91	88	105
1980	1	Inlet	103	94	103	98	94	90	85	81	100
		Outlet	98	97	103	97	96	91	86	82	101
	4	Inlet	111	105	111	108	103	99	95	94	109
		Outlet	110	108	110	107	105	101	96	94	110
	8	Inlet	110	103	109	106	101	97	93	91	108
		Outlet	106	106	108	105	103	99	94	92	108
2140	1	Inlet	107	98	106	103	97	93	90	83	104
		Outlet	101	100	107	102	99	95	90	84	105
	4	Inlet	112	108	110	111	105	101	97	96	112
		Outlet	112	109	111	109	107	103	98	97	112
	10	Inlet	112	107	109	110	104	100	95	94	110
		Outlet	109	108	109	108	105	101	97	95	110
2300	1.5	Inlet	109	100	105	106	100	95	91	85	106
		Outlet	102	101	106	104	101	97	92	86	106
	6	Inlet	114	111	110	115	108	103	98	98	114
		Outlet	113	111	112	112	109	105	100	98	114
	12	Inlet	113	109	108	113	106	101	96	95	112
		Outlet	109	108	110	109	107	103	98	95	112

The sound power level ratings shown are in decibels, referred to 10-12 watts, calculated per AMCA International Standard 301. The A-weighted sound ratings shown have been calculated per AMCA International Standard 301. Values shown are for inlet L_{wi}, L_{wA} and outlet L_{wo}, L_{woA} sound power levels for Installation Type B: free inlet, ducted outlet. Inlet ratings do not include the effects of duct end correction. Outlet ratings include the effects of duct end correction.

CA DWDI & CAF-DW Sound Data

300 CA DWDI & CAF-DW

RPM	SP	Condition	SOUND POWER re 10-12 WATTS								Lw _i A
			OCTAVE BANDS								
			1	2	3	4	5	6	7	8	
700	1	Inlet	75	82	80	76	73	65	59	53	78
		Outlet	78	89	77	75	73	64	56	53	78
860	1	Inlet	85	88	87	83	80	75	68	61	85
		Outlet	84	93	85	82	80	78	68	61	86
	1.5	Inlet	82	87	85	81	79	72	66	59	84
		Outlet	82	93	83	79	79	72	62	58	83
1020	1	Inlet	90	93	92	88	84	81	76	68	90
		Outlet	90	96	93	88	85	84	78	69	91
	1.5	Inlet	88	92	91	87	83	79	74	66	89
		Outlet	88	96	91	86	84	81	74	66	90
	2	Inlet	85	91	90	85	82	77	71	63	88
		Outlet	86	96	90	84	82	78	69	63	88
1180	1	Inlet	93	93	99	93	88	84	82	74	95
		Outlet	95	96	98	93	89	86	84	75	96
	1.5	Inlet	92	92	98	92	87	83	81	72	94
		Outlet	93	96	97	92	88	85	83	74	95
	3	Inlet	87	88	95	89	84	80	74	67	91
		Outlet	88	92	97	89	85	80	74	67	92
1340	1	Inlet	98	94	101	96	92	87	86	79	98
		Outlet	99	99	100	96	94	89	87	80	99
	2	Inlet	96	93	100	94	90	85	84	76	97
		Outlet	97	97	99	95	92	87	85	78	97
	4	Inlet	91	89	96	91	86	82	77	70	93
		Outlet	90	93	97	91	88	83	78	71	94
1500	1	Inlet	102	96	106	99	95	90	88	85	102
		Outlet	102	101	103	99	98	92	89	84	102
	3	Inlet	100	93	104	97	92	88	85	79	99
		Outlet	99	98	102	97	95	89	86	80	100
	5	Inlet	97	90	101	94	89	85	81	73	96
		Outlet	94	94	101	94	92	86	81	74	97
1660	1	Inlet	105	99	107	102	98	93	91	88	104
		Outlet	105	104	105	102	100	95	92	88	105
	3	Inlet	104	97	105	100	96	92	89	85	102
		Outlet	102	102	104	100	98	93	90	86	103
	6	Inlet	100	92	102	96	92	88	84	77	98
		Outlet	96	96	102	96	94	89	85	78	99
1820	1	Inlet	108	102	109	105	100	96	93	92	107
		Outlet	107	106	108	104	103	98	94	92	107
	4	Inlet	107	99	108	103	98	94	90	87	105
		Outlet	103	103	106	102	100	95	91	88	105
	8	Inlet	103	94	103	98	94	90	85	81	100
		Outlet	98	97	103	97	96	91	86	82	101
1980	1	Inlet	111	105	111	108	103	99	95	94	109
		Outlet	110	108	110	107	105	101	96	94	110
	4	Inlet	110	103	109	106	101	97	93	91	108
		Outlet	106	106	108	105	103	99	94	92	108
	8	Inlet	107	98	106	103	97	93	90	83	104
		Outlet	101	100	107	102	99	95	90	84	105
2140	1	Inlet	112	108	110	111	105	101	97	96	112
		Outlet	112	109	111	109	107	103	98	97	112
	4	Inlet	112	107	109	110	104	100	95	94	110
		Outlet	109	108	109	108	105	101	97	95	110
	10	Inlet	109	100	105	106	100	95	91	85	106
		Outlet	102	101	106	104	101	97	92	86	106
2300	1.5	Inlet	114	111	110	115	108	103	98	98	114
		Outlet	113	111	112	112	109	105	100	98	114
	6	Inlet	113	109	108	113	106	101	96	95	112
		Outlet	109	108	110	109	107	103	98	95	112
	12	Inlet	110	103	104	109	102	97	93	87	108
		Outlet	103	102	106	108	103	99	93	88	109

330 CA DWDI & CAF-DW

RPM	SP	Condition	SOUND POWER re 10-12 WATTS								Lw _i A
			OCTAVE BANDS								
			1	2	3	4	5	6	7	8	
630	1	Inlet	80	88	85	80	77	70	63	56	82
		Outlet	85	94	82	80	77	70	62	57	83
	1.5	Inlet	78	85	82	79	75	68	64	58	81
		Outlet	82	89	79	78	74	65	60	56	80
760	1	Inlet	88	94	90	86	83	79	71	63	89
		Outlet	89	98	88	86	83	83	72	65	90
	1.5	Inlet	86	93	89	85	82	76	69	62	87
		Outlet	87	99	86	84	82	76	67	62	88
2	Inlet	84	91	87	83	81	73	68	62	86	
	Outlet	84	96	85	82	81	72	65	60	86	
890	1	Inlet	92	98	94	90	87	83	79	70	93
		Outlet	94	99	94	91	88	86	80	71	94
	1.5	Inlet	90	96	93	89	86	82	76	68	92
		Outlet	92	99	92	90	86	84	77	69	92
3	Inlet	86	92	89	85	83	77	73	68	88	
	Outlet	87	94	88	85	83	77	71	67	88	
1020	1	Inlet	95	101	99	94	90	86	84	75	97
		Outlet	98	101	98	95	92	88	85	77	98
	1.5	Inlet	94	100	98	93	89	85	83	74	96
		Outlet	97	100	97	95	91	87	84	76	97
3	Inlet	89	97	95	90	86	82	76	68	93	
	Outlet	92	100	95	91	87	83	76	68	93	
1150	1	Inlet	99	100	104	98	94	89	88	80	101
		Outlet	101	102	102	99	96	90	89	81	101
	3	Inlet	95	97	102	96	90	86	83	74	98
		Outlet	97	99	100	97	92	87	84	75	98
5	Inlet	91	94	97	92	87	83	80	75	94	
	Outlet	92	96	97	93	89	83	80	75	95	
1280	1	Inlet	104	101	107	101	97	92	91	84	104
		Outlet	104	104	105	102	99	94	92	85	104
	3	Inlet	101	99	105	99	94	90	88	80	102
		Outlet	101	102	103	100	97	91	89	81	102
6	Inlet	96	94	101	95	90	86	82	76	97	
	Outlet	95	98	101	96	92	87	83	77	98	
1410	1	Inlet	107	102	110	103	100	95	94	89	106
		Outlet	107	107	108	104	102	97	94	89	107
	4	Inlet	106	101	109	102	98	93	92	85	105
		Outlet	103	103	106	101	99	93	90	84	104
	6	Inlet	102	96	105	99	94	90	86	77	101
		Outlet	99	100	105	99	97	91	87	78	102
1540	1	Inlet	110	104	112	106	102	98	95	92	109
		Outlet	110	108	110	106	105	99	97	92	109
	4	Inlet	109	102	111	104	100	95	93	88	107
		Outlet	106	106	108	104	103	97	94	89	107
8	Inlet	105	97	107	100	96	92	87	80	103	
	Outlet	100	101	107	100	98	92	88	81	104	
1670	1	Inlet	113	106	114	108	104	100	97	95	111
		Outlet	112	110	112	108	107	102	98	95	111
	4	Inlet	112	104	112	107	103	98	95	92	109
		Outlet	109	108	110	106	105	100	96	92	109
10	Inlet	108	98	107	102	98	94	89	84	104	
	Outlet	102	102	107	101	100	94	90	85	105	
1800	1	Inlet	115	109	116	111	106	102	99	98	113
		Outlet	114	112	114	110	109	104	100	98	113
	4	Inlet	115	107	114	110	105	101	97	95	112
		Outlet	111	110	112	109	107	102	99	96	112
12	Inlet	110	100	109	104	99	96	91	88	106	
	Outlet	104	103	109	103	101	96	92	88	106	

The sound power level ratings shown are in decibels, referred to 10-12 watts, calculated per AMCA International Standard 301. The A-weighted sound ratings shown have been calculated per AMCA International Standard 301. Values shown are for inlet L_{wi}, L_{wA} and outlet L_{wo}, L_{woA} sound power levels for Installation Type B: free inlet, ducted outlet. Inlet ratings do not include the effects of duct end correction. Outlet ratings include the effects of duct end correction.

365 CA DWDI & CAF-DW

RPM	SP	Condition	SOUND POWER re 10-12 WATTS								L _w A
			OCTAVE BANDS								
			1	2	3	4	5	6	7	8	
500	1	Inlet	84	81	78	74	71	64	56	54	76
		Outlet	85	81	77	74	71	64	56	53	76
610	1	Inlet	84	91	87	81	78	73	65	59	84
		Outlet	88	94	84	81	78	74	66	58	84
	1.5	Inlet	82	89	85	78	75	68	61	57	81
		Outlet	83	90	82	79	76	69	61	58	81
720	1	Inlet	90	96	91	86	84	80	73	65	90
		Outlet	93	98	89	87	85	81	74	65	90
	1.5	Inlet	88	94	90	85	82	78	70	64	88
		Outlet	91	97	87	85	82	78	71	63	88
	2	Inlet	86	93	89	83	80	74	66	61	86
		Outlet	87	93	86	84	81	75	67	61	86
830	1	Inlet	95	99	95	91	89	84	79	71	94
		Outlet	97	100	93	90	90	85	80	71	94
	1.5	Inlet	93	97	94	89	87	83	78	69	93
		Outlet	96	99	92	89	88	84	79	69	93
	3	Inlet	90	94	91	85	82	78	70	65	88
		Outlet	90	95	88	85	83	78	71	65	88
940	1	Inlet	100	104	100	94	93	89	84	75	98
		Outlet	100	105	98	93	93	90	85	76	98
	2	Inlet	97	102	99	92	90	87	82	73	96
		Outlet	99	104	97	91	91	87	83	73	96
	4	Inlet	95	99	95	88	85	82	74	68	92
		Outlet	92	100	92	87	86	82	75	68	91
1050	1	Inlet	103	105	104	98	96	92	87	79	102
		Outlet	102	105	103	97	96	93	88	80	102
	3	Inlet	98	102	101	96	92	89	84	75	98
		Outlet	100	103	101	94	93	89	84	76	98
	5	Inlet	97	99	98	92	88	85	77	71	95
		Outlet	94	99	97	90	89	85	78	72	94
1160	1	Inlet	105	106	109	103	99	96	90	83	106
		Outlet	104	105	109	101	99	97	91	84	105
	3	Inlet	101	103	106	101	95	92	88	80	103
		Outlet	103	103	108	99	96	93	89	81	103
	6	Inlet	99	99	103	98	90	88	81	74	99
		Outlet	96	98	103	94	91	88	81	74	98
1270	1	Inlet	107	108	111	106	101	98	93	87	108
		Outlet	106	106	111	103	101	99	94	87	107
	3	Inlet	104	105	109	104	98	96	91	84	106
		Outlet	105	105	109	101	99	97	92	85	105
	6	Inlet	99	101	106	102	95	92	86	77	103
		Outlet	98	99	105	98	96	93	86	78	102
1380	1	Inlet	109	111	113	107	103	101	95	90	110
		Outlet	108	108	112	105	103	102	96	90	109
	4	Inlet	104	107	110	105	100	97	93	86	107
		Outlet	106	106	111	103	100	98	94	87	107
	8	Inlet	101	103	107	102	96	93	87	79	104
		Outlet	99	101	106	99	96	94	88	80	103
1490	1	Inlet	110	113	117	110	105	104	98	92	113
		Outlet	109	110	116	107	105	104	99	93	112
	4	Inlet	106	110	114	109	103	100	96	90	110
		Outlet	108	109	115	105	103	101	97	91	110
	10	Inlet	103	106	110	104	97	95	89	81	106
		Outlet	100	103	110	100	97	95	89	82	105
1600	1	Inlet	112	115	117	112	107	106	100	95	114
		Outlet	110	112	116	109	107	106	101	95	113
	4	Inlet	108	112	115	110	105	103	98	93	112
		Outlet	109	111	115	107	104	104	99	93	111
	12	Inlet	105	108	110	105	99	96	91	83	106
		Outlet	101	104	110	101	98	97	91	84	105

402 CA DWDI & CAF-DW

RPM	SP	Condition	SOUND POWER re 10-12 WATTS								L _w A
			OCTAVE BANDS								
			1	2	3	4	5	6	7	8	
450	1	Inlet	85	81	78	74	71	63	56	55	76
		Outlet	85	80	77	75	71	64	56	54	76
550	1	Inlet	87	90	85	81	78	73	64	59	84
		Outlet	90	91	84	82	78	74	65	58	84
	2	Inlet	85	88	83	78	75	68	61	57	81
		Outlet	86	88	81	79	75	68	61	58	81
650	1	Inlet	91	96	92	87	84	80	72	65	90
		Outlet	93	97	89	87	85	81	73	65	90
	1.5	Inlet	88	94	90	85	82	78	69	64	88
		Outlet	91	96	87	85	82	78	70	63	88
	2	Inlet	87	93	89	83	80	74	66	61	86
		Outlet	88	93	86	84	81	74	66	62	86
750	1	Inlet	96	102	97	91	89	84	78	70	95
		Outlet	97	103	94	91	90	85	79	70	95
	1.5	Inlet	94	100	96	90	87	83	77	69	93
		Outlet	96	103	93	90	88	84	78	69	94
	3	Inlet	92	98	92	85	83	77	70	65	89
		Outlet	91	98	89	86	84	78	70	64	89
850	1	Inlet	100	103	99	95	93	89	83	75	98
		Outlet	100	104	97	94	94	90	84	75	98
	2	Inlet	97	101	98	93	90	87	81	73	96
		Outlet	99	102	95	92	91	88	82	73	96
	4	Inlet	95	98	94	88	85	81	74	68	91
		Outlet	93	98	91	88	86	81	74	68	91
950	1	Inlet	104	108	104	98	96	92	87	79	102
		Outlet	104	109	101	97	97	93	88	79	102
	3	Inlet	99	105	101	95	92	89	84	75	99
		Outlet	101	108	99	94	93	89	84	75	99
	5	Inlet	99	103	98	91	88	85	77	71	95
		Outlet	95	103	95	90	89	85	78	71	95
1050	1	Inlet	107	108	107	102	99	96	90	83	105
		Outlet	106	108	106	100	100	97	91	83	105
	3	Inlet	103	105	105	99	96	93	88	79	102
		Outlet	104	106	104	98	96	93	89	80	102
	6	Inlet	100	102	101	95	91	88	80	74	98
		Outlet	97	102	100	93	92	88	81	74	97
1150	1	Inlet	109	109	112	106	102	99	93	86	108
		Outlet	107	108	111	104	102	99	94	87	108
	3	Inlet	105	106	110	104	99	96	91	83	106
		Outlet	106	106	110	102	99	97	92	84	106
	6	Inlet	101	103	107	102	95	92	85	77	103
		Outlet	99	101	106	99	96	93	86	78	102
1250	1	Inlet	110	111	114	109	104	101	95	89	111
		Outlet	109	109	114	106	104	102	96	90	110
	4	Inlet	106	107	111	107	100	98	94	86	108
		Outlet	107	107	112	104	101	98	95	86	108
	8	Inlet	103	104	109	103	96	93	87	79	105
		Outlet	100	102	108	100	97	94	87	80	104
1350	1	Inlet	112	114	115	110	106	104	98	92	113
		Outlet	110	111	115	107	106	104	99	93	112
	4	Inlet	108	110	113	108	103	100	96	89	110
		Outlet	109	109	113	105	103	101	97	90	110
	10	Inlet	105	106	109	104	97	95	88	81	105
		Outlet	101	103	108	100	98	95	89	82	104
1450	1	Inlet	113	116	118	112	108	106	100	94	115
		Outlet	112	113	118	109	108	107	101	95	114
	4	Inlet	110	113	116	111	105	103	98	92	113
		Outlet	110	111	116	108	105	104	99	93	112
	12	Inlet	106	109	111	105	99	97	90	83	107
		Outlet	103	105	111	102	99	97	91	84	106

The sound power level ratings shown are in decibels, referred to 10-12 watts, calculated per AMCA International Standard 301. The A-weighted sound ratings shown have been calculated per AMCA International Standard 301. Values shown are for inlet L_{wi}, L_{wi}A and outlet L_{wo}, L_{wo}A sound power levels for Installation Type B: free inlet, ducted outlet. Inlet ratings do not include the effects of duct end correction. Outlet ratings include the effects of duct end correction.

CA DWDI & CAF-DW Sound Data

445 CA DWDI & CAF-DW

RPM	SP	Condition	SOUND POWER re 10-12 WATTS								L _w A
			OCTAVE BANDS								
			1	2	3	4	5	6	7	8	
450	1	Inlet	89	85	81	78	75	68	60	57	80
		Outlet	90	84	81	79	75	68	60	56	80
540	1	Inlet	91	93	88	84	81	77	68	63	87
		Outlet	94	94	87	85	82	78	69	61	87
	1.5	Inlet	89	91	86	82	79	73	65	61	84
		Outlet	91	91	85	83	79	73	65	61	85
	2	Inlet	88	89	84	79	76	69	63	59	82
		Outlet	90	89	82	80	76	70	63	59	82
630	1	Inlet	94	99	95	90	87	82	75	68	93
		Outlet	96	100	92	90	88	83	76	67	93
	1.5	Inlet	92	98	94	88	85	81	73	67	91
		Outlet	95	100	91	88	86	82	73	66	91
	2	Inlet	90	97	93	86	83	78	70	65	90
		Outlet	92	98	89	87	84	78	70	64	89
720	1	Inlet	99	103	98	94	91	87	80	72	97
		Outlet	99	104	96	94	92	88	81	72	97
	1.5	Inlet	97	102	98	92	90	86	79	71	96
		Outlet	99	104	95	93	91	87	80	71	96
	3	Inlet	93	100	95	89	86	80	72	67	92
		Outlet	93	99	92	90	87	81	73	67	92
810	1	Inlet	103	106	102	97	95	90	85	77	100
		Outlet	103	106	99	97	96	91	86	77	100
	2	Inlet	100	104	100	95	93	89	83	75	98
		Outlet	101	105	98	95	94	90	84	75	98
	4	Inlet	97	101	97	91	88	84	76	70	94
		Outlet	95	101	94	91	89	84	76	70	94
900	1	Inlet	106	109	105	100	98	94	89	80	103
		Outlet	105	109	103	99	99	95	89	81	103
	3	Inlet	102	106	103	97	94	91	86	77	100
		Outlet	103	107	100	96	95	92	87	77	100
	5	Inlet	100	104	100	94	91	87	79	73	97
		Outlet	98	103	97	93	92	87	80	73	97
990	1	Inlet	109	112	108	102	101	97	92	84	106
		Outlet	108	112	106	102	102	98	93	84	106
	3	Inlet	106	110	106	100	98	94	90	81	104
		Outlet	106	111	105	99	99	95	91	82	104
	6	Inlet	102	107	103	97	93	90	82	76	100
		Outlet	100	106	100	96	95	90	83	76	100
1080	1	Inlet	111	112	112	106	103	100	94	87	109
		Outlet	109	111	111	105	104	101	95	88	109
	4	Inlet	106	109	109	104	99	96	92	83	106
		Outlet	107	109	109	102	100	97	93	84	106
	8	Inlet	105	105	105	100	94	92	84	78	102
		Outlet	101	105	104	97	95	92	85	78	101
1170	1	Inlet	113	113	116	110	105	102	97	90	113
		Outlet	111	111	116	108	106	103	98	91	112
	4	Inlet	109	110	113	108	102	99	95	87	110
		Outlet	109	109	114	106	103	100	96	87	110
	8	Inlet	105	106	111	106	98	95	88	81	107
		Outlet	103	104	110	102	99	96	89	81	106
1260	1	Inlet	114	115	118	112	107	105	99	93	114
		Outlet	112	113	117	109	108	106	100	93	114
	4	Inlet	111	112	115	110	105	102	97	90	112
		Outlet	111	111	116	107	105	103	98	91	112
	10	Inlet	107	108	112	106	99	97	90	83	108
		Outlet	104	105	111	103	100	97	91	83	107
1350	1	Inlet	116	117	119	113	109	107	101	95	116
		Outlet	113	114	118	111	109	108	102	96	115
	4	Inlet	113	114	117	112	107	104	100	93	114
		Outlet	112	113	117	109	107	105	101	94	113
	12	Inlet	108	109	112	107	101	98	92	85	109
		Outlet	105	107	111	104	101	99	92	85	108

490 CA DWDI & CAF-DW

RPM	SP	Condition	SOUND POWER re 10-12 WATTS								L _w A
			OCTAVE BANDS								
			1	2	3	4	5	6	7	8	
630	1	Inlet	80	88	85	80	77	70	63	56	82
		Outlet	85	94	82	80	77	70	62	57	83
400	1	Inlet	89	85	81	78	74	66	60	57	80
		Outlet	90	84	81	79	74	66	59	58	80
480	1	Inlet	96	93	86	84	81	76	67	62	86
		Outlet	99	91	86	85	81	77	68	60	87
	1.5	Inlet	95	91	84	81	78	71	63	60	84
		Outlet	96	88	84	83	79	72	64	62	84
	2	Inlet	92	88	81	79	76	68	62	58	81
		Outlet	94	86	80	80	75	69	63	59	81
560	1	Inlet	96	98	94	89	86	82	74	67	92
		Outlet	97	100	92	90	87	83	74	66	92
	1.5	Inlet	94	97	92	87	84	80	71	66	90
		Outlet	96	99	90	88	85	81	72	64	91
	2	Inlet	92	96	91	86	83	76	68	64	89
		Outlet	93	96	89	87	83	77	69	65	89
640	1	Inlet	99	103	98	94	91	86	79	72	97
		Outlet	100	104	96	94	92	87	80	71	97
	1.5	Inlet	97	102	97	92	89	85	78	71	95
		Outlet	99	103	95	93	90	86	78	70	96
	3	Inlet	93	99	94	88	85	79	71	67	91
		Outlet	93	99	91	89	86	79	72	67	91
720	1	Inlet	103	107	102	97	95	90	84	76	100
		Outlet	103	108	99	97	96	91	85	76	100
	2	Inlet	100	105	100	95	92	88	82	74	98
		Outlet	101	107	98	95	93	89	83	74	99
	4	Inlet	97	102	97	91	88	82	75	70	94
		Outlet	96	102	93	91	89	83	75	69	94
800	1	Inlet	106	109	105	100	98	93	88	79	103
		Outlet	105	109	102	100	99	94	88	79	103
	3	Inlet	102	106	102	97	94	90	84	76	100
		Outlet	103	107	99	97	95	91	85	76	100
	5	Inlet	100	104	99	93	90	86	78	73	97
		Outlet	98	103	96	93	91	86	79	72	96
880	1	Inlet	109	111	107	102	101	96	91	83	106
		Outlet	108	111	105	102	102	97	92	83	106
	3	Inlet	105	109	105	100	97	94	89	80	103
		Outlet	106	110	103	99	98	95	90	80	103
	6	Inlet	102	106	102	96	93	89	81	75	99
		Outlet	100	105	99	95	94	89	82	75	99
960	1	Inlet	112	116	110	104	103	99	94	86	109
		Outlet	110	116	108	104	104	100	95	86	109
	4	Inlet	108	113	108	101	99	96	91	82	106
		Outlet	108	114	106	101	100	97	92	83	106
	8	Inlet	106	109	104	97	94	91	83	77	101
		Outlet	101	110	101	95	95	91	84	78	100
1040	1	Inlet	114	115	113	108	106	102	96	89	111
		Outlet	112	115	112	106	106	103	97	89	111
	4	Inlet	110	112	111	105	102	99	94	85	108
		Outlet	110	113	110	104	103	99	95	86	108
	8	Inlet	106	109	107	102	97	94	87	80	104
		Outlet	103	108	106	100	99	95	88	80	104
1120	1	Inlet	116	116	117	111	107	104	98	92	114
		Outlet	113	114	116	109	108	105	99	92	113
	4	Inlet	112	113	115	109	104	101	97	89	111
		Outlet	112	112	115	107	105	102	98	89	111
	10	Inlet	108	109	111	105	99	96	89	82	107
		Outlet	104	107	110	102	100	96	89	82	106
1200	1	Inlet	117	117	121	114	109	106	100	94	117
		Outlet	114	115	120	112	110	107	101	95	116
	4	Inlet	114	115	119	113	107	104	99	91	115
		Outlet	113	113	119	110	107	105	100	92	114
	12	Inlet	110	110	114	108	100	98	90	84	110
		Outlet	105	107	114	104	101	98	91	84	109

The sound power level ratings shown are in decibels, referred to 10-12 watts, calculated per AMCA International Standard 301. The A-weighted sound ratings shown have been calculated per AMCA International Standard 301. Values shown are for inlet L_{wi}, L_{wA} and outlet L_{wo}, L_{woA} sound power levels for Installation Type B: free inlet, ducted outlet. Inlet ratings do not include the effects of duct end correction. Outlet ratings include the effects of duct end correction.

540 CA DWDI & CAF-DW

RPM	SP	Condition	SOUND POWER re 10-12 WATTS								Lw _i A
			OCTAVE BANDS								
			1	2	3	4	5	6	7	8	
400	1	Inlet	93	89	84	82	78	71	64	59	83
		Outlet	95	86	84	82	78	71	64	56	84
	1.5	Inlet	90	86	81	79	74	66	61	57	80
		Outlet	92	84	81	80	74	67	60	60	80
470	1	Inlet	98	95	89	87	84	79	70	65	89
		Outlet	101	94	89	88	84	80	71	62	90
	1.5	Inlet	97	94	87	85	82	76	68	64	87
		Outlet	100	91	87	86	82	76	68	61	87
	2	Inlet	96	92	85	83	79	72	65	62	85
		Outlet	97	89	85	84	79	72	65	64	85
540	1	Inlet	99	100	95	92	89	84	76	69	94
		Outlet	101	101	94	93	89	85	76	68	95
	1.5	Inlet	98	99	94	90	87	83	74	68	93
		Outlet	100	100	93	91	88	84	75	67	93
	3	Inlet	94	95	90	85	82	75	69	65	88
		Outlet	96	95	88	86	82	75	69	65	88
610	1	Inlet	102	106	101	96	93	88	81	73	99
		Outlet	102	107	98	96	94	89	81	73	99
	1.5	Inlet	100	105	100	94	91	87	79	73	98
		Outlet	101	107	98	95	92	88	80	71	98
	3	Inlet	96	103	98	91	88	81	73	69	94
		Outlet	96	102	95	92	88	82	74	70	94
680	1	Inlet	105	108	103	99	96	91	85	77	102
		Outlet	104	108	101	99	97	92	86	77	102
	2	Inlet	102	106	102	97	94	90	83	75	100
		Outlet	103	107	99	97	95	91	84	75	100
	4	Inlet	98	103	99	93	90	84	76	72	96
		Outlet	98	103	96	94	91	85	77	71	96
750	1	Inlet	108	113	107	102	100	94	89	80	105
		Outlet	107	113	104	102	100	95	89	80	105
	3	Inlet	104	110	105	98	96	92	85	78	102
		Outlet	105	111	101	98	97	93	86	78	102
	5	Inlet	101	108	102	95	92	87	79	74	99
		Outlet	100	107	98	96	93	88	80	74	99
820	1	Inlet	111	113	108	104	102	97	92	83	107
		Outlet	109	113	106	104	103	98	93	84	107
	3	Inlet	107	110	107	101	99	95	90	81	105
		Outlet	108	111	104	101	100	96	90	81	105
	6	Inlet	104	107	103	98	95	90	82	76	101
		Outlet	101	106	100	98	96	90	83	76	100
890	1	Inlet	113	115	111	106	104	100	94	86	110
		Outlet	111	115	108	105	105	101	95	87	110
	4	Inlet	109	112	109	103	100	97	92	83	106
		Outlet	109	113	106	102	101	98	93	83	106
	8	Inlet	107	109	104	98	95	92	84	78	102
		Outlet	103	108	101	98	96	91	85	78	101
960	1	Inlet	116	119	114	108	107	103	97	89	112
		Outlet	113	119	111	107	107	103	98	89	112
	4	Inlet	112	116	112	105	103	100	95	86	109
		Outlet	112	117	109	104	104	100	96	87	109
	8	Inlet	108	114	109	102	99	95	88	81	106
		Outlet	105	113	105	101	100	96	88	81	105
1030	1	Inlet	118	119	116	110	108	105	99	92	114
		Outlet	115	118	114	109	109	106	100	92	114
	4	Inlet	114	116	114	108	105	102	97	89	112
		Outlet	113	116	113	107	106	103	98	89	111
	10	Inlet	110	112	110	104	100	97	89	83	107
		Outlet	106	111	108	102	101	97	90	83	106
1100	1	Inlet	119	119	119	113	110	107	101	94	116
		Outlet	116	117	118	111	111	108	102	95	116
	4	Inlet	116	116	117	112	108	104	99	92	114
		Outlet	114	116	117	110	108	105	100	92	114
	12	Inlet	111	112	112	107	101	98	91	84	109
		Outlet	107	110	111	104	102	98	91	85	108

600 CA DWDI & CAF-DW

RPM	SP	Condition	SOUND POWER re 10-12 WATTS								Lw _i A
			OCTAVE BANDS								
			1	2	3	4	5	6	7	8	
300	1	Inlet	89	85	79	76	70	62	59	58	77
		Outlet	90	83	79	77	70	62	57	58	77
370	1	Inlet	95	92	85	83	79	72	65	60	85
		Outlet	99	89	86	84	80	72	65	57	85
	1.5	Inlet	94	89	83	80	75	67	62	58	82
		Outlet	95	86	84	81	75	67	61	63	82
440	1	Inlet	99	96	91	89	85	80	72	66	91
		Outlet	101	94	91	90	86	81	72	64	91
	1.5	Inlet	98	95	89	87	84	78	69	65	89
		Outlet	100	92	89	88	84	78	70	62	89
	2	Inlet	96	93	88	85	81	73	67	63	87
		Outlet	97	91	88	86	81	74	67	67	87
510	1	Inlet	103	102	96	94	90	86	77	71	96
		Outlet	105	101	95	95	91	87	78	69	96
	1.5	Inlet	102	101	95	92	89	85	76	70	95
		Outlet	104	100	94	93	90	86	76	68	95
	3	Inlet	99	97	91	88	85	77	71	67	90
		Outlet	100	96	90	89	85	78	71	69	90
580	1	Inlet	104	108	102	98	95	90	82	75	101
		Outlet	104	109	100	98	96	91	83	74	101
	2	Inlet	102	106	101	95	92	88	80	74	99
		Outlet	103	108	99	96	93	89	81	72	99
	4	Inlet	99	103	98	91	88	81	74	70	94
		Outlet	98	103	94	92	88	81	75	71	94
650	1	Inlet	108	111	105	101	98	93	87	79	104
		Outlet	107	111	103	101	99	94	88	79	104
	3	Inlet	103	108	103	98	95	91	83	76	101
		Outlet	104	108	100	98	95	91	83	76	101
	5	Inlet	101	105	100	94	91	85	78	73	97
		Outlet	100	105	97	95	92	85	78	73	97
720	1	Inlet	111	114	108	104	102	96	91	82	107
		Outlet	109	114	106	104	103	97	91	82	107
	3	Inlet	107	111	107	101	98	94	88	80	105
		Outlet	108	113	104	101	99	95	89	80	105
	6	Inlet	104	109	103	97	94	88	81	76	100
		Outlet	102	108	100	97	95	89	81	76	100
790	1	Inlet	114	116	111	106	105	99	94	86	110
		Outlet	112	116	108	106	105	100	95	86	110
	4	Inlet	109	113	109	103	100	97	91	82	107
		Outlet	109	114	105	103	101	98	92	83	106
	8	Inlet	107	109	104	98	96	90	83	78	102
		Outlet	104	110	101	98	96	90	84	78	101
860	1	Inlet	116	117	113	108	107	102	97	89	112
		Outlet	114	117	111	108	108	103	98	89	112
	4	Inlet	112	115	111	106	103	100	94	86	109
		Outlet	112	115	108	105	104	101	95	86	109
	8	Inlet	108	112	108	102	99	95	87	81	105
		Outlet	106	111	105	102	100	95	88	81	105
930	1	Inlet	119	121	116	110	109	105	99	91	114
		Outlet	116	120	113	110	110	106	100	92	114
	4	Inlet	115	118	114	108	106	102	98	89	112
		Outlet	114	119	112	107	107	103	99	89	112
	10	Inlet	111	115	110	103	100	97	89	83	107
		Outlet	107	114	107	103	102	97	90	83	107
1000	1	Inlet	121	122	118	112	111	107	101	94	117
		Outlet	117	121	116	112	112	108	102	94	116
	4	Inlet	118	120	117	111	108	105	100	92	114
		Outlet	116	120	115	110	109	106	101	92	114
	12	Inlet	113	116	112	106	102	99	91	85	109
		Outlet	108	115	109	104	103	99	92	85	108

The sound power level ratings shown are in decibels, referred to 10-12 watts, calculated per AMCA International Standard 301. The A-weighted sound ratings shown have been calculated per AMCA International Standard 301. Values shown are for inlet L_{wi}, L_{wi}A and outlet L_{wo}, L_{wo}A sound power levels for Installation Type B: free inlet, ducted outlet. Inlet ratings do not include the effects of duct end correction. Outlet ratings include the effects of duct end correction.

CA DWDI & CAF-DW Sound Data

660 CA DWDI & CAF-DW

RPM	SP	Condition	SOUND POWER re 10-12 WATTS								Lw _i A
			OCTAVE BANDS								
			1	2	3	4	5	6	7	8	
300	1	Inlet	93	89	82	80	74	65	61	59	81
		Outlet	95	87	83	80	74	66	61	59	81
355	1	Inlet	97	93	88	85	81	74	67	62	87
		Outlet	99	91	88	86	82	75	67	59	88
	1.5	Inlet	95	91	86	83	77	69	64	60	84
		Outlet	96	89	87	84	78	70	64	65	85
410	1	Inlet	101	97	92	91	86	81	72	67	92
		Outlet	103	95	92	91	87	82	73	65	93
	1.5	Inlet	99	96	91	88	85	78	71	66	90
		Outlet	101	93	91	89	85	79	71	63	91
	2	Inlet	98	95	89	86	82	74	68	64	88
		Outlet	98	92	90	88	83	75	68	68	89
465	1	Inlet	106	102	96	95	91	86	77	71	96
		Outlet	107	100	96	96	92	87	78	69	97
	1.5	Inlet	104	101	95	93	89	85	76	71	95
		Outlet	106	99	94	94	90	86	76	68	96
	3	Inlet	102	97	91	88	85	77	71	67	90
		Outlet	102	95	91	90	85	78	71	70	91
520	1	Inlet	107	106	100	98	94	89	82	75	100
		Outlet	108	105	99	99	95	90	82	74	100
	2	Inlet	105	104	99	95	92	88	79	74	98
		Outlet	106	104	97	96	93	89	80	71	98
	4	Inlet	102	101	95	91	88	80	74	70	93
		Outlet	102	99	93	92	88	81	74	71	93
575	1	Inlet	108	111	105	101	98	93	85	78	104
		Outlet	107	111	103	102	99	93	86	77	104
	3	Inlet	104	108	103	97	94	89	81	76	100
		Outlet	105	110	100	98	94	90	81	74	101
	5	Inlet	102	105	99	93	90	83	77	73	97
		Outlet	101	105	96	94	90	84	77	73	96
630	1	Inlet	110	114	108	104	101	95	89	81	106
		Outlet	109	113	106	104	102	96	90	81	107
	3	Inlet	106	111	106	100	97	93	85	79	104
		Outlet	107	112	103	101	98	94	86	78	104
	6	Inlet	104	107	102	95	93	86	79	75	99
		Outlet	102	108	99	96	93	86	80	75	99
685	1	Inlet	113	115	110	106	103	98	92	84	109
		Outlet	111	115	107	106	104	99	93	84	109
	3	Inlet	109	113	108	103	100	96	89	82	106
		Outlet	109	113	105	103	101	97	90	81	106
	6	Inlet	105	110	105	99	96	90	82	78	102
		Outlet	104	109	102	100	97	91	83	78	102
740	1	Inlet	116	119	113	108	106	100	95	86	111
		Outlet	113	119	110	108	107	101	95	86	111
	4	Inlet	111	116	111	105	102	98	92	84	108
		Outlet	111	117	108	105	103	99	93	84	108
	8	Inlet	108	113	107	100	97	92	84	80	104
		Outlet	105	112	103	100	98	92	85	79	103
795	1	Inlet	118	119	114	110	108	103	97	89	113
		Outlet	115	119	111	109	109	104	98	89	113
	4	Inlet	114	117	112	107	104	100	95	86	110
		Outlet	113	117	109	107	105	101	96	87	110
	8	Inlet	109	114	109	103	100	96	87	82	107
		Outlet	107	113	106	104	101	96	88	81	106
850	1	Inlet	119	120	116	111	110	105	99	91	115
		Outlet	116	120	113	111	111	106	100	91	115
	4	Inlet	116	118	114	109	107	103	97	89	112
		Outlet	115	118	111	108	108	104	98	89	112
	10	Inlet	112	114	110	104	101	97	89	83	107
		Outlet	108	113	107	104	102	97	90	83	107

730 CA DWDI & CAF-DW

RPM	SP	Condition	SOUND POWER re 10-12 WATTS								Lw _i A
			OCTAVE BANDS								
			1	2	3	4	5	6	7	8	
250	1	Inlet	87	84	80	77	70	62	60	59	78
		Outlet	87	83	80	77	70	62	59	60	78
305	1	Inlet	97	93	86	84	79	71	65	60	86
		Outlet	100	90	87	84	80	71	64	57	86
	1.5	Inlet	95	91	84	81	74	67	63	59	82
		Outlet	96	88	85	82	75	67	64	64	83
360	1	Inlet	102	97	92	90	86	79	71	66	91
		Outlet	104	95	92	91	87	80	71	63	92
	1.5	Inlet	100	96	90	88	84	76	70	65	90
		Outlet	103	93	91	88	84	76	69	62	90
	2	Inlet	99	95	89	86	80	72	67	63	87
		Outlet	99	92	90	87	81	73	67	70	88
415	1	Inlet	105	101	97	95	90	85	77	71	96
		Outlet	106	99	96	96	91	86	77	69	97
	1.5	Inlet	104	100	95	93	89	84	75	70	95
		Outlet	105	98	95	94	90	85	76	67	95
	3	Inlet	100	96	91	88	84	76	71	67	90
		Outlet	101	94	91	89	84	77	71	70	90
470	1	Inlet	110	106	100	99	95	90	81	75	100
		Outlet	111	104	99	100	95	90	82	73	101
	2	Inlet	108	104	98	96	92	88	79	74	98
		Outlet	110	103	97	97	93	89	79	71	99
	4	Inlet	105	101	94	91	88	80	74	70	93
		Outlet	105	98	93	92	88	81	74	72	93
525	1	Inlet	111	110	104	102	98	93	85	78	104
		Outlet	111	109	103	103	99	94	86	77	104
	3	Inlet	108	107	102	98	95	90	81	76	100
		Outlet	109	107	100	99	95	91	82	74	101
	5	Inlet	105	104	98	94	91	83	77	73	97
		Outlet	105	103	96	95	91	84	78	74	96
580	1	Inlet	112	115	109	105	101	96	89	82	107
		Outlet	111	115	107	105	102	97	90	81	108
	3	Inlet	109	112	107	101	98	94	86	80	105
		Outlet	109	114	105	102	99	95	87	78	105
	6	Inlet	105	109	103	97	94	87	80	76	100
		Outlet	104	109	100	98	94	87	81	77	100
635	1	Inlet	114	117	112	107	104	99	93	85	110
		Outlet	112	117	109	107	105	100	93	84	110
	3	Inlet	111	115	110	105	102	97	90	83	108
		Outlet	111	115	107	105	102	98	91	82	108
	6	Inlet	107	112	107	101	98	92	83	79	104
		Outlet	105	111	104	102	99	92	84	80	104
690	1	Inlet	117	119	113	109	107	101	96	87	112
		Outlet	114	118	111	109	108	102	96	87	112
	4	Inlet	113	116	111	106	103	99	92	85	109
		Outlet	112	117	108	106	104	100	93	84	109
	8	Inlet	109	113	108	102	99	93	85	81	105
		Outlet	107	112	105	103	100	93	86	81	105
745	1	Inlet	119	123	116	111	109	104	98	90	115
		Outlet	116	122	113	111	110	105	99	90	115
	4	Inlet	116	120	115	109	106	102	96	88	112
		Outlet	115	121	111	109	107	103	97	88	112
	10	Inlet	112	116	110	103	101	95	87	83	107
		Outlet	109	116	106	103	101	95	88	82	107
800	1	Inlet	121	123	118	113	111	106	101	92	116
		Outlet	118	122	115	113	112	107	101	92	116
	4	Inlet	118	121	116	111	109	104	99	90	114
		Outlet	117	121	113	111	109	105	100	90	114
	12	Inlet	114	116	111	105	102	97	90	85	108
		Outlet	110	115	107	104	103	97	90	84	108

The sound power level ratings shown are in decibels, referred to 10-12 watts, calculated per AMCA International Standard 301. The A-weighted sound ratings shown have been calculated per AMCA International Standard 301. Values shown are for inlet L_{wi}, L_{wA} and outlet L_{wo}, L_{woA} sound power levels for Installation Type B: free inlet, ducted outlet. Inlet ratings do not include the effects of duct end correction. Outlet ratings include the effects of duct end correction.

120 CF

RPM	SP	Condition	SOUND POWER re 10-12 WATTS								Lw _i A
			OCTAVE BANDS								
			1	2	3	4	5	6	7	8	
1800	1	Inlet	66	75	80	72	66	62	62	54	75
		Outlet	82	81	82	73	68	65	60	52	77
2160	1	Inlet	72	79	84	81	74	69	68	65	82
		Outlet	87	85	85	81	75	72	68	63	82
	2	Inlet	71	78	80	76	70	66	64	61	78
		Outlet	83	82	83	77	71	68	63	58	79
2520	1	Inlet	78	82	86	87	79	75	73	73	87
		Outlet	92	87	87	86	80	77	73	70	87
	2	Inlet	77	81	84	84	76	71	69	68	84
		Outlet	88	85	86	84	78	74	69	65	85
2880	1	Inlet	84	86	87	91	83	79	77	78	90
		Outlet	100	88	89	89	84	81	78	76	90
	2	Inlet	83	86	86	89	81	76	73	75	89
		Outlet	94	86	88	87	83	79	74	72	89
	4	Inlet	85	87	85	83	78	73	70	68	84
		Outlet	92	85	84	83	78	75	69	66	84
3240	1	Inlet	87	90	90	93	87	82	80	81	93
		Outlet	104	92	91	91	87	85	81	79	93
	3	Inlet	87	89	88	91	85	79	75	76	91
		Outlet	95	88	90	89	85	82	76	74	91
	5	Inlet	89	91	88	86	81	77	73	71	87
		Outlet	95	88	86	86	81	78	72	69	87
3600	1	Inlet	89	93	93	95	90	85	83	84	96
		Outlet	106	96	93	93	90	87	85	82	96
	3	Inlet	89	92	92	94	89	83	79	80	94
		Outlet	100	93	92	92	89	86	80	78	94
	6	Inlet	90	93	91	89	85	80	76	74	91
		Outlet	96	91	89	89	84	81	76	72	90
3960	1	Inlet	90	95	96	97	94	88	85	86	98
		Outlet	107	100	95	96	93	90	87	85	98
	3	Inlet	90	95	95	96	92	86	83	83	97
		Outlet	104	98	94	95	92	89	84	81	97
	6	Inlet	90	93	93	94	89	83	79	78	94
		Outlet	97	94	93	93	89	86	80	76	94
4320	1	Inlet	92	98	98	99	97	90	88	88	101
		Outlet	109	104	97	98	95	92	90	87	101
	4	Inlet	92	97	97	97	95	88	84	84	99
		Outlet	104	100	96	96	94	91	86	83	99
	8	Inlet	92	97	96	95	91	85	81	79	96
		Outlet	99	97	94	94	91	87	82	77	96
4680	1	Inlet	93	100	101	101	99	93	90	90	103
		Outlet	110	107	99	99	98	94	92	89	103
	5	Inlet	93	99	99	99	98	91	86	85	101
		Outlet	104	103	97	98	96	92	88	84	101
	10	Inlet	95	100	99	96	93	87	83	80	98
		Outlet	101	100	95	95	92	88	84	79	97
5040	1	Inlet	94	102	103	102	102	95	92	91	105
		Outlet	111	110	101	101	100	96	94	91	105
	6	Inlet	94	101	101	100	100	93	88	86	103
		Outlet	105	105	98	100	98	94	90	85	103
	12	Inlet	97	103	102	98	94	89	85	82	100
		Outlet	102	103	96	96	94	90	86	80	99
5400	1	Inlet	96	103	105	103	104	97	93	93	107
		Outlet	112	113	102	103	102	98	96	93	107
	6	Inlet	96	103	103	102	103	95	90	88	106
		Outlet	108	109	100	102	100	96	93	88	105
	12	Inlet	96	103	102	101	98	92	87	84	103
		Outlet	102	104	98	100	97	93	89	83	102

135 CF

RPM	SP	Condition	SOUND POWER re 10-12 WATTS								Lw _i A
			OCTAVE BANDS								
			1	2	3	4	5	6	7	8	
1500	1	Inlet	68	76	80	69	64	61	59	52	74
		Outlet	80	80	82	71	66	63	57	50	76
1820	1	Inlet	73	80	85	78	72	68	67	62	80
		Outlet	86	85	86	78	73	70	66	60	81
	1.5	Inlet	71	79	83	75	69	65	65	59	78
		Outlet	84	83	85	76	71	68	63	57	80
2140	1	Inlet	78	83	88	85	78	74	73	72	86
		Outlet	91	87	88	84	79	76	72	69	86
	2	Inlet	76	82	85	81	75	70	69	66	82
		Outlet	87	85	86	82	76	72	68	63	83
2460	1	Inlet	84	86	89	89	82	78	77	78	90
		Outlet	97	89	89	88	83	80	77	75	89
	2	Inlet	83	86	87	88	80	75	74	74	88
		Outlet	92	88	89	87	82	78	73	71	88
	3	Inlet	82	85	86	85	78	73	71	70	85
		Outlet	89	86	88	85	79	75	70	67	86
2780	1	Inlet	88	90	90	93	85	81	80	82	93
		Outlet	103	90	91	91	86	84	81	79	93
	2	Inlet	88	89	89	92	84	80	77	79	92
		Outlet	99	89	91	90	86	83	77	76	91
4	Inlet	88	88	88	87	81	77	73	73	88	
	Outlet	93	87	89	87	82	79	72	70	88	
3100	1	Inlet	91	93	93	96	89	84	83	84	96
		Outlet	107	94	94	94	89	87	84	82	96
	3	Inlet	91	92	91	95	87	82	79	80	94
		Outlet	100	91	93	92	88	85	79	77	94
	5	Inlet	91	91	91	91	84	79	76	75	91
		Outlet	96	89	91	90	85	82	75	73	91
3420	1	Inlet	92	96	96	98	92	87	85	87	98
		Outlet	108	98	96	96	92	90	87	85	98
	3	Inlet	92	95	94	97	91	85	82	83	97
		Outlet	104	95	95	95	91	88	83	81	97
	6	Inlet	92	94	94	93	88	82	79	78	94
		Outlet	98	93	93	92	88	85	78	75	94
3740	1	Inlet	94	99	98	100	95	90	88	89	101
		Outlet	110	102	98	98	95	92	90	87	101
	4	Inlet	94	98	97	98	94	88	84	84	99
		Outlet	104	98	96	97	93	90	85	82	99
	8	Inlet	95	98	97	94	90	84	81	79	96
		Outlet	100	96	94	93	89	86	81	77	95
4060	1	Inlet	95	101	101	102	98	92	90	90	103
		Outlet	111	105	100	100	97	94	92	89	103
	5	Inlet	95	100	99	100	96	90	86	85	101
		Outlet	105	101	98	98	96	92	87	84	101
	10	Inlet	98	101	99	96	91	87	83	80	98
		Outlet	102	99	95	94	91	87	83	78	96
4380	1	Inlet	97	103	103	103	101	94	92	92	105
		Outlet	112	108	101	102	99	96	94	91	105
	5	Inlet	97	102	101	102	99	93	88	88	103
		Outlet	108	105	100	100	98	95	90	87	103
	10	Inlet	97	101	101	99	95	89	85	83	100
		Outlet	102	101	98	98	95	91	86	81	100
4700	1	Inlet	98	104	105	104	103	96	94	93	107
		Outlet	114	111	103	103	101	98	96	93	107
	6	Inlet	98	104	103	103	102	94	90	89	105
		Outlet	109	107	101	102	100	96	92	88	105
	12	Inlet	98	104	103	101	97	91	87	84	102
		Outlet	104	103	99	99	97	92	88	83	101

The sound power level ratings shown are in decibels, referred to 10-12 watts, calculated per AMCA International Standard 301. The A-weighted sound ratings shown have been calculated per AMCA International Standard 301. Values shown are for inlet L_{wi}, L_{wi}A and outlet L_{wo}, L_{wo}A sound power levels for Installation Type B: free inlet, ducted outlet. Inlet ratings do not include the effects of duct end correction. Outlet ratings include the effects of duct end correction.

150 CF

RPM	SP	Condition	SOUND POWER re 10-12 WATTS								Lw _A
			OCTAVE BANDS								
			1	2	3	4	5	6	7	8	
1400	1	Inlet	69	72	78	70	64	66	60	51	74
		Outlet	80	74	79	72	69	68	58	52	75
1680	1	Inlet	74	78	83	77	71	72	69	62	80
		Outlet	85	81	84	79	75	74	68	61	82
	2	Inlet	74	75	79	73	67	67	63	57	75
		Outlet	83	77	79	74	70	69	64	61	77
1960	1	Inlet	78	82	85	83	77	77	77	74	85
		Outlet	90	86	86	85	80	78	76	72	87
	2	Inlet	75	79	82	80	74	74	71	64	82
		Outlet	85	82	83	82	78	76	70	63	84
2240	1	Inlet	82	85	87	87	81	80	81	82	89
		Outlet	94	88	89	90	84	82	80	80	91
	2	Inlet	80	82	85	85	79	78	77	72	87
		Outlet	90	86	87	87	84	80	77	70	89
	3	Inlet	78	80	83	83	76	76	75	68	84
		Outlet	86	83	84	84	81	78	74	67	86
2520	1	Inlet	85	88	90	89	84	83	83	86	92
		Outlet	97	91	91	94	88	85	83	84	95
	2	Inlet	84	86	89	88	82	82	82	81	90
		Outlet	94	89	90	91	87	84	81	78	93
	4	Inlet	82	83	85	84	79	78	78	71	86
		Outlet	89	84	86	86	84	80	78	72	89
2800	1	Inlet	87	91	93	91	87	86	86	88	95
		Outlet	99	94	93	95	92	88	86	87	97
	3	Inlet	85	88	90	89	85	83	83	80	92
		Outlet	95	91	92	91	90	86	83	78	94
	5	Inlet	84	86	88	86	82	80	80	75	89
		Outlet	91	87	88	87	86	83	80	76	91
3080	1	Inlet	89	93	95	93	90	88	88	90	97
		Outlet	101	97	95	97	95	91	88	89	100
	3	Inlet	87	91	93	92	89	86	86	85	95
		Outlet	98	95	94	95	93	89	86	83	98
	6	Inlet	85	88	90	88	85	83	82	78	91
		Outlet	92	90	90	89	89	86	83	78	93
3360	1	Inlet	90	96	98	96	93	90	90	92	99
		Outlet	102	100	97	99	97	93	91	91	102
	4	Inlet	89	93	95	94	91	88	88	86	97
		Outlet	98	97	95	96	95	91	88	84	99
	8	Inlet	90	93	92	90	86	83	83	79	92
		Outlet	95	93	90	90	90	87	84	84	94
3640	1	Inlet	92	98	100	98	96	92	92	93	101
		Outlet	104	103	99	100	100	95	93	92	104
	4	Inlet	90	96	97	97	94	90	90	90	99
		Outlet	101	101	97	99	98	94	91	88	102
	8	Inlet	87	92	94	93	91	87	87	84	96
		Outlet	95	95	93	94	94	91	87	83	98
3920	1	Inlet	93	100	101	101	98	93	94	95	103
		Outlet	105	105	100	102	102	97	94	94	106
	5	Inlet	92	98	98	98	96	91	91	91	101
		Outlet	102	102	99	100	99	96	92	89	104
	10	Inlet	90	96	96	95	92	88	87	85	97
		Outlet	97	97	94	95	95	92	89	86	99
4200	1	Inlet	94	102	103	103	100	95	95	96	105
		Outlet	107	108	102	103	104	99	96	95	108
	6	Inlet	93	99	100	100	98	93	93	92	103
		Outlet	103	104	100	101	101	97	94	91	105
	12	Inlet	93	99	98	97	94	89	88	86	99
		Outlet	98	100	95	96	96	93	90	88	100

165 CF

RPM	SP	Condition	SOUND POWER re 10-12 WATTS								Lw _A
			OCTAVE BANDS								
			1	2	3	4	5	6	7	8	
1300	1	Inlet	71	75	78	71	66	67	60	52	75
		Outlet	80	76	80	73	70	68	59	52	77
1560	1	Inlet	76	80	84	78	72	74	71	63	81
		Outlet	87	81	86	80	76	76	69	62	83
	2	Inlet	75	77	81	73	68	69	64	58	77
		Outlet	84	77	81	75	72	70	65	61	78
1820	1	Inlet	80	83	86	83	78	78	78	76	86
		Outlet	91	86	88	86	81	79	77	74	88
	2	Inlet	78	81	84	81	75	75	72	65	83
		Outlet	86	83	85	83	79	77	71	64	85
2060	1	Inlet	84	87	88	87	82	81	82	84	90
		Outlet	95	89	90	91	85	83	81	82	92
	2	Inlet	82	84	87	86	80	80	79	74	88
		Outlet	91	87	89	88	85	82	78	72	90
	3	Inlet	80	82	85	83	78	78	76	69	85
		Outlet	87	84	86	85	82	79	75	68	87
2340	1	Inlet	87	90	92	91	85	84	85	88	94
		Outlet	98	91	93	95	89	86	84	86	96
	2	Inlet	86	88	90	90	83	83	83	83	92
		Outlet	96	90	92	93	88	85	82	80	94
	4	Inlet	83	84	87	86	80	80	79	72	88
		Outlet	90	85	88	88	86	82	79	71	90
2600	1	Inlet	89	93	94	93	88	87	87	90	96
		Outlet	101	95	95	97	92	89	87	88	98
	3	Inlet	88	90	92	91	86	85	85	82	93
		Outlet	97	92	94	93	91	87	84	79	96
	5	Inlet	85	87	89	88	83	82	82	76	90
		Outlet	92	88	90	90	88	84	81	75	93
2860	1	Inlet	91	95	97	95	91	89	89	92	98
		Outlet	103	98	97	99	95	92	89	90	101
	3	Inlet	90	93	95	93	89	88	87	87	96
		Outlet	100	96	96	97	94	90	87	85	99
	6	Inlet	87	89	92	90	86	84	84	79	93
		Outlet	94	91	92	91	91	87	84	78	95
3120	1	Inlet	93	97	99	97	94	91	91	94	101
		Outlet	104	101	99	100	98	94	92	92	103
	4	Inlet	91	95	96	95	92	89	89	88	98
		Outlet	100	98	97	97	96	92	89	86	100
	8	Inlet	91	94	94	91	88	85	84	80	94
		Outlet	96	93	92	92	91	88	86	84	96
3380	1	Inlet	94	100	101	99	96	93	93	95	103
		Outlet	106	103	100	102	100	96	94	94	105
	5	Inlet	92	97	98	97	94	91	90	89	100
		Outlet	101	100	98	99	98	94	91	87	102
	10	Inlet	94	97	96	93	89	86	85	82	95
		Outlet	98	96	93	93	92	89	87	87	97
3640	1	Inlet	96	101	103	101	99	95	95	96	105
		Outlet	107	106	102	103	103	98	96	95	107
	5	Inlet	94	99	100	100	97	93	93	92	102
		Outlet	104	103	100	101	101	97	93	91	105
	10	Inlet	91	96	97	96	93	89	89	86	99
		Outlet	98	98	96	97	96	93	90	86	101
3900	1	Inlet	97	103	105	104	101	96	96	98	106
		Outlet	108	108	103	105	105	100	97	97	109
	6	Inlet	95	101	101	101	99	94	94	93	104
		Outlet	105	105	101	103	102	98	95	92	106
	12	Inlet	94	99	99	98	95	90	90	88	100
		Outlet	100	100	97	98	97	95	91	89	102

The sound power level ratings shown are in decibels, referred to 10-12 watts, calculated per AMCA International Standard 301. The A-weighted sound ratings shown have been calculated per AMCA International Standard 301. Values shown are for inlet L_{W_i}, L_{W_A} and outlet L_{W_o}, L_{W_{oA}} sound power levels for Installation Type B: free inlet, ducted outlet. Inlet ratings do not include the effects of duct end correction. Outlet ratings include the effects of duct end correction.

180 CF

RPM	SP	Condition	SOUND POWER re 10-12 WATTS								Lw _p A
			OCTAVE BANDS								
			1	2	3	4	5	6	7	8	
1100	1	Inlet	69	70	72	68	64	60	54	49	70
		Outlet	77	76	77	71	68	62	58	55	74
1340	1	Inlet	77	75	80	75	71	69	63	58	78
		Outlet	86	80	84	78	76	70	64	60	81
	1.5	Inlet	76	73	78	74	69	66	60	54	76
		Outlet	84	77	84	76	74	68	63	60	80
1580	1	Inlet	82	79	84	80	75	73	68	63	82
		Outlet	91	83	88	82	80	75	68	64	85
	2	Inlet	81	77	82	78	74	71	65	60	80
		Outlet	89	81	88	81	79	73	67	65	84
1820	1	Inlet	84	86	88	86	81	79	75	69	88
		Outlet	96	91	92	90	85	82	77	73	91
	2	Inlet	85	84	86	84	79	76	72	67	85
		Outlet	92	87	90	88	84	79	73	69	89
	3	Inlet	84	83	83	82	77	74	69	63	83
		Outlet	92	87	89	86	82	78	72	69	87
2060	1	Inlet	87	89	90	90	85	83	79	73	91
		Outlet	100	97	94	96	89	86	82	78	96
	2	Inlet	87	89	88	89	83	81	77	72	90
		Outlet	96	93	92	94	88	84	79	75	94
	4	Inlet	87	89	86	85	80	77	72	67	86
		Outlet	95	92	90	90	86	82	76	73	91
2300	1	Inlet	90	92	92	93	87	86	83	77	94
		Outlet	105	102	95	101	93	89	86	82	100
	3	Inlet	91	93	89	91	85	83	79	74	92
		Outlet	97	93	92	98	91	87	81	77	97
	5	Inlet	91	93	88	88	83	81	76	71	89
		Outlet	98	96	92	94	90	86	79	76	95
2540	1	Inlet	92	94	94	96	90	88	86	80	97
		Outlet	108	105	97	105	96	91	89	85	104
	3	Inlet	93	95	92	94	88	87	83	78	95
		Outlet	102	99	95	102	95	90	85	81	101
	6	Inlet	93	97	91	90	85	84	78	73	92
		Outlet	100	99	95	96	93	89	82	79	98
2780	1	Inlet	93	97	96	97	93	91	89	83	99
		Outlet	109	107	100	106	99	94	91	88	106
	4	Inlet	94	98	95	96	91	89	85	80	97
		Outlet	102	99	96	103	97	93	87	83	103
	8	Inlet	95	99	94	91	87	85	81	77	94
		Outlet	102	100	97	98	95	91	85	81	100
3020	1	Inlet	95	99	99	99	96	93	91	86	101
		Outlet	110	109	103	108	102	96	93	90	108
	4	Inlet	95	99	98	98	94	91	88	83	100
		Outlet	106	105	100	105	101	95	90	86	105
	8	Inlet	96	101	97	94	91	88	84	78	97
		Outlet	103	103	100	99	98	94	88	84	102
3260	1	Inlet	96	101	101	101	98	95	93	89	103
		Outlet	112	111	105	108	105	99	95	92	110
	5	Inlet	97	102	100	99	96	93	90	85	101
		Outlet	107	106	102	105	103	97	92	88	107
	10	Inlet	98	103	100	95	93	89	86	81	98
		Outlet	104	105	102	101	100	96	90	86	104
3500	1	Inlet	97	102	103	102	100	96	95	91	105
		Outlet	113	113	107	109	108	101	97	94	111
	6	Inlet	98	103	102	100	98	94	92	87	103
		Outlet	107	107	103	105	105	99	94	89	108
	12	Inlet	99	104	102	97	95	91	88	83	100
		Outlet	105	106	103	102	102	98	92	87	106

195 CF

RPM	SP	Condition	SOUND POWER re 10-12 WATTS								Lw _p A
			OCTAVE BANDS								
			1	2	3	4	5	6	7	8	
1000	1	Inlet	68	71	72	68	64	59	53	48	70
		Outlet	76	78	76	71	67	62	58	55	73
1240	1	Inlet	78	77	81	76	72	69	64	58	78
		Outlet	86	82	84	79	76	70	64	61	81
	1.5	Inlet	76	75	78	74	70	66	60	55	76
		Outlet	84	79	84	76	74	68	63	61	80
1480	1	Inlet	83	80	86	80	76	74	69	63	83
		Outlet	92	84	90	83	81	75	69	65	86
	2	Inlet	83	78	84	79	75	72	66	61	81
		Outlet	91	82	90	81	80	74	68	65	85
1720	1	Inlet	86	87	89	87	82	80	75	70	89
		Outlet	97	91	95	91	86	83	79	74	93
	2	Inlet	87	85	87	85	80	78	73	68	87
		Outlet	93	88	92	89	85	80	74	70	90
	3	Inlet	86	84	85	83	78	75	70	64	84
		Outlet	93	88	91	87	83	79	73	70	89
1960	1	Inlet	89	91	91	91	86	84	80	74	92
		Outlet	102	98	96	97	90	87	83	79	97
	2	Inlet	89	90	90	90	85	82	78	73	91
		Outlet	98	94	94	95	89	85	80	76	96
	4	Inlet	89	90	87	86	82	79	73	68	88
		Outlet	96	93	92	91	87	83	77	74	93
2200	1	Inlet	92	94	93	94	88	87	83	78	95
		Outlet	107	104	97	102	94	90	86	83	101
	3	Inlet	93	94	91	93	87	85	81	76	94
		Outlet	99	95	94	99	93	88	82	79	99
	5	Inlet	93	95	90	88	83	81	76	73	90
		Outlet	99	96	94	95	91	87	80	77	96
2440	1	Inlet	94	96	96	98	91	90	88	82	98
		Outlet	109	106	98	106	97	93	90	86	105
	3	Inlet	95	97	94	96	90	89	85	79	97
		Outlet	105	102	97	104	96	92	87	83	103
	6	Inlet	96	98	92	93	87	86	80	75	94
		Outlet	101	101	97	98	94	90	84	81	99
2680	1	Inlet	96	99	98	99	94	92	90	85	101
		Outlet	111	108	101	108	100	96	93	89	108
	4	Inlet	97	99	96	98	92	90	87	82	99
		Outlet	105	103	99	105	99	94	89	85	105
	8	Inlet	97	101	95	94	89	87	82	78	96
		Outlet	103	102	99	100	97	93	87	83	101
2920	1	Inlet	97	101	100	101	97	94	93	88	103
		Outlet	112	110	104	110	104	98	95	92	110
	5	Inlet	98	102	99	99	95	92	89	84	101
		Outlet	106	104	100	106	101	96	91	87	106
	10	Inlet	99	103	99	95	91	89	85	80	98
		Outlet	105	104	101	101	99	95	89	85	103
3160	1	Inlet	98	103	103	102	100	96	95	90	105
		Outlet	113	112	107	111	107	100	97	94	111
	6	Inlet	100	104	101	101	97	94	91	86	103
		Outlet	107	106	102	107	104	99	93	89	108
	12	Inlet	100	105	101	97	94	91	87	83	100
		Outlet	106	106	103	103	101	97	92	87	105
3400	2	Inlet	100	105	104	104	102	98	96	92	107
		Outlet	115	115	109	111	109	102	99	95	113
	12	Inlet	101	107	103	99	97	93	90	84	102
		Outlet	107	108	106	104	103	100	94	89	108

The sound power level ratings shown are in decibels, referred to 10-12 watts, calculated per AMCA International Standard 301. The A-weighted sound ratings shown have been calculated per AMCA International Standard 301. Values shown are for inlet L_{wi}, L_{wi}A and outlet L_{wo}, L_{wo}A sound power levels for Installation Type B: free inlet, ducted outlet. Inlet ratings do not include the effects of duct end correction. Outlet ratings include the effects of duct end correction.

210 CF

RPM	SP	Condition	SOUND POWER re 10-12 WATTS								L _w A
			OCTAVE BANDS								
			1	2	3	4	5	6	7	8	
1000	1	Inlet	72	77	76	71	70	66	59	52	75
		Outlet	80	89	79	74	74	69	59	51	79
1240	1	Inlet	78	81	82	77	75	73	67	60	81
		Outlet	85	88	87	80	78	75	68	59	84
	2	Inlet	74	76	77	71	71	69	63	58	76
		Outlet	81	84	82	75	73	70	63	56	79
1360	1	Inlet	82	83	87	80	79	78	74	66	85
		Outlet	90	87	91	84	82	80	75	65	88
	2	Inlet	80	80	84	78	76	74	68	61	82
		Outlet	87	86	91	83	80	77	70	60	86
1540	1	Inlet	86	84	90	83	82	82	79	72	88
		Outlet	94	88	93	88	86	83	81	71	91
	2	Inlet	85	82	88	81	80	79	74	67	86
		Outlet	92	87	93	87	84	81	76	67	90
	3	Inlet	84	80	86	78	77	77	70	65	83
		Outlet	90	85	91	84	82	79	72	64	88
1720	1	Inlet	88	88	92	87	85	84	82	76	92
		Outlet	96	92	95	91	89	86	84	76	94
	2	Inlet	87	86	91	86	83	83	79	73	90
		Outlet	95	91	95	91	88	85	81	72	93
	4	Inlet	85	83	87	81	79	79	73	68	85
		Outlet	91	87	92	87	83	81	75	68	89
1900	1	Inlet	90	91	94	91	87	87	85	80	94
		Outlet	98	95	96	94	91	89	87	80	97
	3	Inlet	89	89	92	89	85	84	81	74	91
		Outlet	96	93	96	93	90	87	82	74	95
	5	Inlet	86	86	88	84	81	81	76	71	87
		Outlet	92	90	92	89	85	83	78	71	91
2080	1	Inlet	92	94	96	94	90	89	88	83	97
		Outlet	100	98	98	97	94	91	89	83	99
	3	Inlet	90	92	94	92	88	87	84	78	94
		Outlet	98	96	97	97	92	90	86	79	98
	6	Inlet	88	89	90	87	83	83	79	74	90
		Outlet	94	93	93	92	88	85	80	74	94
2260	1	Inlet	94	97	97	97	92	91	90	86	99
		Outlet	101	101	99	100	96	93	91	87	102
	4	Inlet	92	95	94	95	89	88	86	80	96
		Outlet	99	99	98	99	94	91	88	81	100
	8	Inlet	95	98	95	92	86	84	81	76	94
		Outlet	98	98	96	94	89	87	82	76	96
2440	1	Inlet	95	100	99	100	94	93	92	89	101
		Outlet	103	103	101	102	98	96	93	90	104
	4	Inlet	93	98	96	98	91	90	89	84	99
		Outlet	101	101	99	102	96	94	90	85	102
	8	Inlet	91	95	93	93	87	86	84	78	95
		Outlet	97	98	96	98	92	90	86	79	99
2620	1	Inlet	97	102	100	102	96	94	94	91	103
		Outlet	104	106	102	104	99	97	95	92	106
	5	Inlet	94	100	97	100	93	92	91	86	101
		Outlet	102	103	100	104	98	96	92	87	104
	10	Inlet	91	97	93	95	87	87	86	80	96
		Outlet	97	99	95	99	92	91	87	80	100
2800	1	Inlet	98	104	101	105	97	96	96	93	105
		Outlet	105	108	103	106	101	99	97	95	107
	6	Inlet	96	102	98	102	94	93	92	87	102
		Outlet	103	105	100	106	99	97	94	89	106
	12	Inlet	97	103	98	99	91	89	88	82	99
		Outlet	101	103	98	101	94	92	89	82	102

245 CF

RPM	SP	Condition	SOUND POWER re 10-12 WATTS								L _w A
			OCTAVE BANDS								
			1	2	3	4	5	6	7	8	
900	1	Inlet	76	80	79	73	69	67	62	57	76
		Outlet	78	85	83	77	73	68	62	58	80
1040	1	Inlet	80	83	85	78	74	71	67	61	81
		Outlet	82	88	90	82	78	73	68	63	85
	2	Inlet	76	79	80	73	70	67	64	60	77
		Outlet	78	84	86	79	75	70	65	62	82
1180	1	Inlet	84	84	92	81	77	75	70	65	86
		Outlet	86	89	96	86	83	77	73	67	90
	2	Inlet	81	82	87	78	75	72	68	64	82
		Outlet	83	88	95	84	80	74	69	66	89
1320	1	Inlet	86	87	94	86	81	78	74	69	89
		Outlet	89	91	98	90	86	81	77	71	93
	2	Inlet	85	85	92	83	79	76	72	68	87
		Outlet	86	91	99	89	85	78	72	69	93
	3	Inlet	82	84	88	80	76	74	70	66	84
		Outlet	83	88	96	87	82	77	71	68	90
1460	1	Inlet	88	90	96	90	84	81	77	72	92
		Outlet	90	93	99	94	89	84	80	75	96
	2	Inlet	87	89	95	88	82	79	76	71	90
		Outlet	89	93	101	94	88	82	77	73	96
	4	Inlet	83	86	88	83	78	76	72	69	85
		Outlet	85	89	96	90	84	79	74	70	92
1600	1	Inlet	90	93	97	93	86	84	80	75	94
		Outlet	92	95	100	97	91	87	83	78	98
	3	Inlet	88	91	95	90	84	81	78	73	92
		Outlet	89	94	102	97	90	84	78	74	98
	5	Inlet	84	88	90	86	80	78	75	71	88
		Outlet	86	90	97	93	87	82	76	73	94
1740	1	Inlet	91	95	99	97	89	86	83	78	97
		Outlet	94	97	101	100	94	90	86	81	100
	3	Inlet	90	94	97	94	87	84	80	76	95
		Outlet	91	95	103	100	93	88	81	77	100
	6	Inlet	86	90	91	89	82	80	77	73	90
		Outlet	87	91	98	96	89	84	79	75	96
1880	1	Inlet	93	97	99	100	91	88	85	81	99
		Outlet	95	98	102	102	96	92	88	84	103
	3	Inlet	92	96	98	98	89	86	83	79	98
		Outlet	93	97	103	103	95	91	85	80	103
	6	Inlet	89	93	94	93	86	83	80	76	93
		Outlet	90	94	100	100	92	88	82	77	100
2020	1	Inlet	94	100	100	102	93	90	87	83	102
		Outlet	96	99	103	105	98	94	90	86	105
	4	Inlet	93	98	98	100	91	88	85	80	99
		Outlet	94	98	104	106	96	92	86	81	105
	8	Inlet	88	94	94	94	86	83	81	77	94
		Outlet	90	93	99	101	93	89	83	79	100
2160	1	Inlet	95	101	101	105	95	92	89	86	104
		Outlet	98	101	104	107	99	96	92	89	107
	5	Inlet	94	100	99	102	92	89	86	82	101
		Outlet	95	98	104	109	98	94	87	82	107
	10	Inlet	91	97	96	96	88	85	83	79	96
		Outlet	93	96	101	103	94	90	85	80	102
2300	1	Inlet	96	103	102	107	97	93	91	88	106
		Outlet	99	102	105	109	101	98	94	91	108
	5	Inlet	95	102	100	105	94	91	88	84	104
		Outlet	97	100	104	111	100	97	90	85	109
	10	Inlet	91	98	97	99	90	87	85	81	98
		Outlet	92	96	101	106	96	93	87	82	105

The sound power level ratings shown are in decibels, referred to 10-12 watts, calculated per AMCA International Standard 301. The A-weighted sound ratings shown have been calculated per AMCA International Standard 301. Values shown are for inlet L_{wi}, L_{wA} and outlet L_{wo}, L_{woA} sound power levels for Installation Type B: free inlet, ducted outlet. Inlet ratings do not include the effects of duct end correction. Outlet ratings include the effects of duct end correction.

225 CF

RPM	SP	Condition	SOUND POWER re 10-12 WATTS								L _w A
			OCTAVE BANDS								
			1	2	3	4	5	6	7	8	
950	1	Inlet	74	79	77	72	71	67	59	53	76
		Outlet	81	90	79	75	75	70	60	52	80
1100	1	Inlet	78	82	82	77	76	73	67	60	81
		Outlet	85	89	86	80	79	76	68	59	84
	2	Inlet	75	77	77	72	71	69	63	58	76
		Outlet	82	85	81	75	74	70	63	56	79
1250	1	Inlet	82	84	86	80	79	78	73	65	85
		Outlet	89	89	91	84	82	80	74	64	88
	2	Inlet	80	81	84	78	76	74	67	60	82
		Outlet	87	88	90	82	80	76	68	59	86
1400	1	Inlet	85	85	90	83	82	81	78	70	88
		Outlet	93	88	93	87	85	82	79	69	91
	2	Inlet	85	82	88	81	79	78	73	66	85
		Outlet	92	87	93	86	84	80	75	65	89
	3	Inlet	83	80	84	77	76	76	69	64	82
		Outlet	89	85	90	83	81	77	71	63	86
1550	1	Inlet	89	87	93	86	84	84	82	74	91
		Outlet	96	91	96	90	88	85	83	74	94
	2	Inlet	88	85	91	84	83	82	78	71	89
		Outlet	95	89	95	89	87	84	80	70	93
	4	Inlet	85	82	86	78	77	78	72	67	84
		Outlet	90	85	91	84	82	79	73	67	88
1700	1	Inlet	91	90	94	89	87	86	84	78	94
		Outlet	98	94	97	93	91	88	86	78	96
	3	Inlet	89	87	92	87	84	83	79	72	90
		Outlet	96	92	96	92	89	86	81	72	94
	5	Inlet	90	88	89	83	80	80	75	70	87
		Outlet	93	89	93	87	84	81	75	69	90
1850	1	Inlet	93	93	96	92	89	88	87	81	96
		Outlet	100	97	98	96	93	90	88	81	99
	3	Inlet	91	91	94	90	87	86	83	76	93
		Outlet	98	95	97	95	91	88	84	76	97
	6	Inlet	92	92	92	87	82	82	77	72	90
		Outlet	96	93	94	90	86	83	78	72	92
2000	1	Inlet	94	96	97	95	91	90	89	84	98
		Outlet	101	99	100	98	95	92	90	84	101
	3	Inlet	92	94	95	93	89	88	86	80	96
		Outlet	100	97	98	97	93	91	87	80	99
	6	Inlet	90	91	92	89	85	84	80	75	92
		Outlet	96	94	96	94	90	87	82	75	96
2150	1	Inlet	96	98	99	98	93	92	91	86	100
		Outlet	103	102	101	100	97	94	92	87	103
	4	Inlet	94	96	96	95	90	89	87	81	97
		Outlet	101	99	99	100	95	92	89	82	101
	8	Inlet	94	96	94	91	86	85	82	77	93
		Outlet	98	97	96	95	90	87	83	77	96
2300	1	Inlet	97	100	100	100	94	94	93	89	102
		Outlet	104	104	102	102	98	96	94	90	104
	5	Inlet	95	98	97	97	91	90	88	82	99
		Outlet	101	101	100	102	96	94	90	83	102
	10	Inlet	103	106	101	97	90	87	84	78	99
		Outlet	103	103	100	97	91	89	84	78	99
2450	1	Inlet	98	103	101	102	96	95	95	91	104
		Outlet	105	106	103	104	100	98	96	92	106
	5	Inlet	96	100	98	100	93	92	91	85	101
		Outlet	103	103	101	104	98	96	92	87	104
	10	Inlet	93	97	94	94	88	88	86	80	96
		Outlet	98	99	97	99	93	91	87	81	100

270 CF

RPM	SP	Condition	SOUND POWER re 10-12 WATTS								L _w A
			OCTAVE BANDS								
			1	2	3	4	5	6	7	8	
700	1	Inlet	73	76	72	66	64	61	56	52	70
		Outlet	74	81	75	71	68	63	57	54	74
850	1	Inlet	78	83	81	74	71	69	63	58	78
		Outlet	81	88	85	79	75	70	64	60	82
	1.5	Inlet	76	80	78	72	69	66	62	57	75
		Outlet	78	85	82	77	73	68	63	60	79
1000	1	Inlet	83	86	88	79	76	73	69	63	83
		Outlet	85	91	92	84	80	75	70	65	88
	2	Inlet	80	82	83	76	73	70	66	62	80
		Outlet	82	88	90	82	78	72	67	64	85
1150	1	Inlet	87	87	94	84	80	77	73	68	88
		Outlet	89	92	98	88	85	80	76	69	92
	2	Inlet	85	85	91	81	78	75	71	66	86
		Outlet	86	92	98	87	83	77	71	69	92
	3	Inlet	82	83	87	78	75	73	69	65	82
		Outlet	84	89	94	85	81	75	70	67	89
1300	1	Inlet	90	90	97	88	84	81	77	72	92
		Outlet	91	94	100	92	89	84	80	74	96
	2	Inlet	89	89	96	86	82	79	76	71	90
		Outlet	89	94	102	92	88	81	76	72	96
	4	Inlet	85	86	89	82	78	76	72	68	85
		Outlet	85	90	97	88	84	78	73	70	92
1450	1	Inlet	92	94	99	93	87	84	81	75	95
		Outlet	93	96	102	96	92	87	84	78	99
	3	Inlet	90	91	96	90	84	81	78	73	92
		Outlet	90	95	104	96	90	84	78	75	98
	5	Inlet	86	89	91	85	81	78	75	71	88
		Outlet	87	92	99	92	87	82	77	73	94
1600	1	Inlet	93	96	101	96	90	87	84	79	98
		Outlet	95	98	103	100	94	90	87	81	101
	3	Inlet	93	95	99	94	88	85	81	77	96
		Outlet	93	97	105	100	93	88	82	78	101
	6	Inlet	88	91	93	89	83	81	78	74	91
		Outlet	89	93	100	96	90	85	79	76	97
1750	1	Inlet	95	99	102	100	92	89	86	82	100
		Outlet	97	100	104	103	97	93	89	84	104
	4	Inlet	94	97	99	97	89	87	83	79	98
		Outlet	94	98	106	104	95	90	84	80	104
	8	Inlet	92	95	94	92	85	83	80	76	93
		Outlet	92	96	101	98	91	87	82	78	99
1900	1	Inlet	97	101	103	103	94	91	89	84	103
		Outlet	98	101	105	106	99	96	92	87	106
	4	Inlet	96	100	101	101	92	89	86	82	101
		Outlet	96	100	106	107	98	94	88	83	106
	8	Inlet	92	96	97	96	88	85	83	79	96
		Outlet	92	96	102	103	95	90	85	80	102
2050	1	Inlet	98	103	104	106	97	93	91	87	105
		Outlet	100	103	106	108	101	98	94	90	108
	5	Inlet	97	102	102	104	94	91	88	84	103
		Outlet	97	101	107	110	100	96	89	84	108
	10	Inlet	92	98	97	98	89	87	84	80	98
		Outlet	93	97	102	105	96	92	86	82	104
2200	2	Inlet	99	105	104	108	98	95	92	88	107
		Outlet	101	104	107	111	103	100	95	91	110
	6	Inlet	98	104	102	106	96	93	90	86	105
		Outlet	98	102	107	113	102	98	91	86	111
	12	Inlet	94	100	99	100	91	88	86	82	100
		Outlet	95	98	103	107	98	94	88	84	106

The sound power level ratings shown are in decibels, referred to 10-12 watts, calculated per AMCA International Standard 301. The A-weighted sound ratings shown have been calculated per AMCA International Standard 301. Values shown are for inlet L_{wi}, L_wA and outlet L_{wo}, L_wA sound power levels for Installation Type B: free inlet, ducted outlet. Inlet ratings do not include the effects of duct end correction. Outlet ratings include the effects of duct end correction.

300 CF

RPM	SP	Condition	SOUND POWER re 10-12 WATTS								Lw _i A
			OCTAVE BANDS								
			1	2	3	4	5	6	7	8	
600	1	Inlet	73	74	70	65	63	59	55	51	69
		Outlet	75	79	73	70	66	61	57	54	72
740	1	Inlet	79	83	79	73	70	68	62	57	77
		Outlet	81	89	83	78	74	69	62	59	81
	1.5	Inlet	76	80	76	70	68	65	61	57	74
		Outlet	79	86	80	75	72	67	62	59	78
880	1	Inlet	83	88	86	79	76	73	68	63	83
		Outlet	86	93	91	84	80	75	70	65	87
	2	Inlet	80	83	82	75	72	70	66	62	79
		Outlet	83	90	88	81	77	71	67	64	84
1020	1	Inlet	87	90	93	83	80	77	72	67	88
		Outlet	90	94	97	88	85	80	75	69	92
	2	Inlet	86	87	89	81	78	75	71	66	85
		Outlet	88	94	97	87	83	76	71	69	91
	3	Inlet	83	84	85	78	75	72	69	65	82
		Outlet	85	91	93	84	80	75	70	67	88
1160	1	Inlet	91	91	98	87	84	81	77	71	92
		Outlet	93	96	101	92	89	84	80	73	96
	2	Inlet	90	90	96	86	82	79	76	70	90
		Outlet	91	96	103	91	88	81	76	73	96
	4	Inlet	86	86	90	81	78	76	72	69	85
		Outlet	86	92	97	88	84	78	73	70	92
1300	1	Inlet	94	94	101	92	87	85	81	75	95
		Outlet	95	98	103	96	92	87	84	77	99
	3	Inlet	92	92	98	89	84	82	78	73	93
		Outlet	92	97	105	95	90	84	78	75	99
	5	Inlet	88	89	92	85	81	79	75	72	88
		Outlet	88	93	100	91	87	82	77	73	95
1440	1	Inlet	96	97	103	96	90	87	84	79	98
		Outlet	97	100	105	99	95	91	87	81	102
	3	Inlet	95	95	101	94	88	85	82	77	96
		Outlet	94	99	107	99	94	88	82	78	102
	6	Inlet	90	92	94	88	84	81	78	74	91
		Outlet	90	95	102	95	90	85	80	76	97
1580	1	Inlet	97	100	104	99	93	90	87	82	101
		Outlet	98	101	106	103	97	93	90	84	104
	3	Inlet	96	98	103	98	91	88	84	80	99
		Outlet	97	100	107	103	96	92	86	82	104
	6	Inlet	93	96	98	94	88	85	82	78	95
		Outlet	93	98	105	100	94	89	83	79	101
1720	1	Inlet	99	102	105	102	95	92	89	85	103
		Outlet	100	103	107	105	100	96	92	87	106
	4	Inlet	98	101	103	101	93	90	87	82	101
		Outlet	98	101	108	106	99	94	88	83	106
	8	Inlet	94	97	98	96	89	86	83	79	97
		Outlet	94	98	105	102	95	91	85	81	103
1860	1	Inlet	100	104	106	105	97	94	92	87	105
		Outlet	101	104	108	108	102	98	94	90	108
	5	Inlet	99	103	104	103	95	92	89	84	103
		Outlet	99	103	109	109	100	96	90	85	108
	10	Inlet	95	99	99	98	90	88	85	81	98
		Outlet	95	99	105	105	97	93	87	83	104
2000	1	Inlet	102	106	107	108	99	96	94	90	108
		Outlet	102	106	109	110	104	101	96	92	111
	4	Inlet	101	105	106	108	98	94	91	87	107
		Outlet	102	105	109	111	103	99	94	89	110
	12	Inlet	96	101	100	100	92	89	87	83	100
		Outlet	96	99	105	107	99	95	89	85	106

330 CF

RPM	SP	Condition	SOUND POWER re 10-12 WATTS								Lw _i A
			OCTAVE BANDS								
			1	2	3	4	5	6	7	8	
550	1	Inlet	74	75	70	66	63	60	55	51	69
		Outlet	77	79	74	70	67	61	57	54	73
670	1	Inlet	80	84	79	73	71	68	62	57	77
		Outlet	83	89	83	78	74	69	63	59	81
	1.5	Inlet	78	81	76	71	68	65	61	57	74
		Outlet	80	86	80	76	72	67	62	60	78
790	1	Inlet	84	89	85	79	76	73	68	62	83
		Outlet	87	95	90	84	79	75	69	64	87
	2	Inlet	81	84	81	75	72	69	65	61	79
		Outlet	84	91	86	81	76	71	67	64	84
910	1	Inlet	88	92	91	83	80	77	72	67	87
		Outlet	91	96	95	88	84	79	74	68	91
	2	Inlet	86	88	88	81	77	74	70	66	84
		Outlet	89	96	95	87	82	76	71	69	90
	3	Inlet	83	85	84	77	75	72	68	65	81
		Outlet	86	92	91	84	79	74	70	67	87
1030	1	Inlet	91	93	96	87	83	81	76	71	91
		Outlet	93	97	100	92	88	83	79	72	95
	2	Inlet	90	91	94	85	82	79	75	70	89
		Outlet	92	98	101	91	87	80	75	72	95
	4	Inlet	87	88	88	81	78	75	72	68	85
		Outlet	89	94	95	87	83	78	73	70	90
1150	1	Inlet	95	95	101	90	87	84	80	74	95
		Outlet	95	99	103	95	92	87	83	76	99
	3	Inlet	93	92	97	87	84	81	77	73	92
		Outlet	92	98	104	93	89	83	77	75	98
	5	Inlet	90	90	92	84	80	78	75	71	88
		Outlet	90	95	99	90	86	81	76	73	94
1270	1	Inlet	97	97	103	94	89	87	84	78	98
		Outlet	97	100	106	98	95	90	87	80	101
	3	Inlet	96	95	101	91	87	85	81	76	96
		Outlet	95	100	108	97	93	87	81	78	102
	6	Inlet	92	92	95	87	83	81	77	74	91
		Outlet	91	96	102	93	89	84	79	76	97
1390	1	Inlet	99	100	105	97	92	90	86	81	100
		Outlet	99	102	107	101	97	93	89	83	104
	3	Inlet	98	98	104	96	90	87	84	79	99
		Outlet	97	101	109	101	96	90	85	81	104
	6	Inlet	94	95	98	91	87	84	81	77	94
		Outlet	93	98	106	98	93	87	82	79	101
1510	1	Inlet	100	102	106	101	94	92	89	83	103
		Outlet	100	104	108	104	99	95	92	86	106
	4	Inlet	99	100	104	98	92	89	86	81	100
		Outlet	98	102	111	104	98	92	86	82	106
	8	Inlet	95	97	98	93	88	85	82	79	95
		Outlet	94	99	106	100	94	89	84	80	102
1630	1	Inlet	101	104	107	103	97	94	91	86	105
		Outlet	102	105	109	107	101	97	94	88	108
	5	Inlet	100	102	105	101	94	91	88	83	102
		Outlet	99	103	111	107	100	94	88	84	108
	10	Inlet	97	99	99	95	89	87	84	81	97
		Outlet	96	100	106	102	96	91	86	82	103
1750	1	Inlet	103	106	108	106	99	96	93	88	107
		Outlet	103	106	110	109	103	100	96	91	110
	6	Inlet	101	104	106	103	96	93	89	85	104
		Outlet	100	104	112	110	102	97	90	86	110
	12	Inlet	99	102	101	98	91	89	86	82	99
		Outlet	98	102	107	104	97	93	88	84	105

The sound power level ratings shown are in decibels, referred to 10-12 watts, calculated per AMCA International Standard 301. The A-weighted sound ratings shown have been calculated per AMCA International Standard 301. Values shown are for inlet L_{wi}, L_{wi}A and outlet L_{wo}, L_{wo}A sound power levels for Installation Type B: free inlet, ducted outlet. Inlet ratings do not include the effects of duct end correction. Outlet ratings include the effects of duct end correction.

365 CF

RPM	SP	Condition	SOUND POWER re 10-12 WATTS								L _w A
			OCTAVE BANDS								
			1	2	3	4	5	6	7	8	
610	1	Inlet	81	88	81	74	72	68	62	57	79
		Outlet	83	94	84	78	74	68	62	57	82
610	1.5	Inlet	77	84	78	71	69	65	59	55	75
		Outlet	81	93	81	75	72	67	61	57	81
720	1	Inlet	86	93	87	80	77	73	68	63	84
		Outlet	88	95	88	84	80	75	70	64	87
720	2	Inlet	81	90	83	76	73	69	64	59	80
		Outlet	85	95	86	81	77	72	66	61	84
830	1	Inlet	89	99	90	85	82	78	73	68	89
		Outlet	92	98	91	88	85	80	75	69	91
830	2	Inlet	87	96	88	82	79	76	71	66	86
		Outlet	90	97	91	87	83	78	72	66	89
830	3	Inlet	84	94	85	79	76	73	68	64	84
		Outlet	88	95	88	84	80	75	70	65	86
940	1	Inlet	92	103	93	88	86	82	77	72	93
		Outlet	95	102	94	92	89	84	80	73	94
940	2	Inlet	91	101	91	86	84	80	75	71	91
		Outlet	94	100	92	90	88	83	78	72	93
940	4	Inlet	86	99	87	81	80	76	72	68	87
		Outlet	91	96	89	86	83	78	73	68	89
1050	1	Inlet	94	105	98	91	89	85	81	75	96
		Outlet	98	104	98	95	92	88	84	77	98
1050	3	Inlet	92	102	95	88	86	82	78	73	93
		Outlet	95	100	96	92	90	85	81	75	95
1050	5	Inlet	88	100	92	84	82	79	75	71	90
		Outlet	93	98	93	89	86	81	76	71	92
1160	1	Inlet	96	106	103	94	91	88	84	79	99
		Outlet	100	106	103	97	95	91	87	81	101
1160	3	Inlet	95	104	101	92	89	86	81	77	97
		Outlet	97	103	100	95	93	89	84	79	99
1160	6	Inlet	90	101	98	87	85	82	78	73	93
		Outlet	95	99	97	92	89	84	79	74	95
1270	1	Inlet	98	107	108	97	93	91	87	81	102
		Outlet	102	107	108	100	97	93	89	84	104
1270	3	Inlet	97	106	106	95	92	89	85	80	101
		Outlet	99	104	105	98	96	92	87	82	102
1270	6	Inlet	91	102	104	92	89	86	81	76	98
		Outlet	95	100	101	96	93	88	82	77	98
1380	1	Inlet	99	108	112	99	95	93	89	84	105
		Outlet	103	108	112	102	99	96	92	87	107
1380	4	Inlet	98	106	110	97	94	91	87	82	104
		Outlet	101	105	108	100	98	94	89	84	104
1380	8	Inlet	92	102	108	93	90	87	83	78	101
		Outlet	97	101	104	97	94	90	84	79	100
1490	1	Inlet	101	109	116	102	97	95	91	87	109
		Outlet	105	109	115	104	102	98	94	89	110
1490	5	Inlet	99	106	114	99	95	93	89	84	106
		Outlet	102	106	111	101	99	96	91	86	106
1490	10	Inlet	94	103	111	95	90	89	85	80	104
		Outlet	99	103	107	98	95	91	86	81	102
1600	2	Inlet	102	109	117	104	99	97	93	88	110
		Outlet	105	109	116	105	103	100	95	91	110
1600	6	Inlet	100	107	115	101	97	95	90	86	108
		Outlet	103	107	112	103	101	98	93	89	108
1600	12	Inlet	95	103	112	96	92	90	86	82	105
		Outlet	101	104	109	100	97	93	88	83	104

402 CF

RPM	SP	Condition	SOUND POWER re 10-12 WATTS								L _w A
			OCTAVE BANDS								
			1	2	3	4	5	6	7	8	
450	1	Inlet	76	78	71	66	63	59	53	49	70
		Outlet	84	84	75	70	66	61	56	52	74
550	1	Inlet	83	88	81	74	72	68	62	57	79
		Outlet	85	93	84	78	74	68	62	57	82
550	1.5	Inlet	79	84	77	71	69	65	59	55	75
		Outlet	84	92	80	75	72	67	61	58	80
650	1	Inlet	88	94	86	80	77	73	68	63	84
		Outlet	89	95	88	84	80	75	70	64	87
650	2	Inlet	83	90	82	76	73	69	64	59	80
		Outlet	86	95	86	81	77	71	66	61	84
750	1	Inlet	92	100	90	85	82	78	73	68	89
		Outlet	93	99	92	89	85	80	75	69	91
750	1.5	Inlet	91	99	89	84	81	77	72	67	88
		Outlet	92	99	91	88	84	79	74	68	90
750	2	Inlet	89	98	88	82	80	76	71	66	87
		Outlet	91	99	91	87	83	78	72	66	90
850	1	Inlet	95	105	93	88	86	82	77	72	93
		Outlet	97	103	94	92	89	84	80	73	95
850	2	Inlet	93	103	91	86	84	80	75	71	91
		Outlet	95	101	93	91	88	83	78	72	93
850	3	Inlet	90	102	89	84	82	78	73	68	90
		Outlet	92	98	92	89	85	80	74	69	91
950	1	Inlet	96	107	96	91	89	85	81	75	96
		Outlet	99	106	97	95	92	88	84	77	98
950	2	Inlet	95	106	95	90	88	84	79	74	95
		Outlet	97	104	96	94	91	86	82	76	97
950	4	Inlet	90	105	92	86	85	81	75	71	93
		Outlet	93	99	94	92	88	82	77	71	94
1050	1	Inlet	98	108	101	94	92	88	84	79	99
		Outlet	101	108	102	98	95	91	87	80	101
1050	3	Inlet	96	106	99	92	90	86	82	77	97
		Outlet	99	104	99	96	93	89	85	79	99
1050	5	Inlet	91	105	97	89	87	83	78	73	95
		Outlet	94	100	97	94	91	85	79	74	96
1150	1	Inlet	100	109	106	97	94	91	87	81	102
		Outlet	103	109	106	100	98	94	90	84	104
1150	3	Inlet	98	108	104	95	93	89	85	80	100
		Outlet	101	106	103	99	96	92	87	82	102
1150	6	Inlet	93	105	102	92	89	86	81	76	97
		Outlet	96	101	101	96	93	88	82	77	99
1250	1	Inlet	101	110	110	99	96	93	89	84	105
		Outlet	104	110	110	103	100	96	92	86	106
1250	4	Inlet	100	108	108	97	94	91	87	82	103
		Outlet	102	107	107	100	98	94	90	84	104
1250	8	Inlet	94	105	105	93	90	87	83	78	99
		Outlet	98	103	103	97	94	90	84	79	100
1350	1	Inlet	103	111	114	102	98	95	92	87	108
		Outlet	106	111	114	105	102	98	94	89	109
1350	4	Inlet	101	110	113	100	97	94	89	84	106
		Outlet	103	108	110	103	100	97	92	87	106
1350	8	Inlet	96	106	111	97	93	91	86	81	104
		Outlet	99	104	107	100	98	93	87	82	103
1450	1	Inlet	104	112	117	104	100	97	94	89	111
		Outlet	107	112	117	106	104	100	97	91	112
1450	5	Inlet	102	110	116	102	98	96	91	86	109
		Outlet	105	109	113	104	102	99	94	89	108
1450	10	Inlet	97	106	114	99	94	92	87	82	107
		Outlet	100	105	109	102	99	95	89	84	105

The sound power level ratings shown are in decibels, referred to 10-12 watts, calculated per AMCA International Standard 301. The A-weighted sound ratings shown have been calculated per AMCA International Standard 301. Values shown are for inlet L_{wi}, L_wA and outlet L_{wo}, L_wA sound power levels for Installation Type B: free inlet, ducted outlet. Inlet ratings do not include the effects of duct end correction. Outlet ratings include the effects of duct end correction.

445 CF

RPM	SP	Condition	SOUND POWER re 10-12 WATTS								Lw _i A
			OCTAVE BANDS								
			1	2	3	4	5	6	7	8	
400	1	Inlet	78	77	70	66	63	58	53	49	69
		Outlet	87	82	74	70	66	60	56	54	73
490	1	Inlet	84	87	80	74	71	67	62	57	78
		Outlet	88	92	83	78	73	67	61	56	82
	1.5	Inlet	80	84	77	71	69	64	59	55	75
		Outlet	87	90	80	75	72	66	61	59	79
580	1	Inlet	89	93	86	80	77	73	67	63	84
		Outlet	90	95	88	84	80	75	69	63	87
	2	Inlet	85	89	82	76	73	69	64	59	80
		Outlet	88	95	85	80	77	71	65	61	84
670	1	Inlet	94	99	90	85	82	77	72	68	89
		Outlet	94	99	92	88	85	80	75	68	91
	2	Inlet	91	97	87	82	79	75	70	65	86
		Outlet	92	98	91	87	82	77	71	66	89
	3	Inlet	89	94	84	79	77	73	68	64	84
		Outlet	91	96	88	83	80	75	70	66	86
760	1	Inlet	97	106	93	88	86	82	77	72	94
		Outlet	98	104	95	92	89	84	79	73	95
	2	Inlet	95	104	91	87	84	80	75	70	92
		Outlet	97	102	93	91	87	83	78	71	94
	3	Inlet	93	103	89	85	82	78	73	68	90
		Outlet	93	99	92	89	85	79	74	68	91
850	1	Inlet	99	108	96	91	89	85	81	75	97
		Outlet	101	107	97	95	92	88	83	76	98
	2	Inlet	98	107	95	90	88	84	79	74	96
		Outlet	99	105	96	94	91	86	82	75	97
	4	Inlet	93	106	92	87	85	80	75	71	93
		Outlet	94	100	94	92	88	82	76	71	93
940	1	Inlet	100	110	99	94	92	88	84	78	99
		Outlet	102	110	100	98	95	91	87	80	101
	3	Inlet	98	108	97	92	90	86	81	77	97
		Outlet	100	106	98	96	94	89	85	78	99
	6	Inlet	93	106	92	87	86	82	78	74	93
		Outlet	97	103	95	92	89	84	79	74	95
1030	1	Inlet	101	111	103	96	94	91	87	81	102
		Outlet	104	111	104	101	98	94	90	83	104
	3	Inlet	100	110	102	95	93	89	84	80	100
		Outlet	102	107	102	99	96	92	87	81	102
	6	Inlet	94	108	99	92	90	86	80	76	97
		Outlet	97	103	100	96	93	87	82	77	98
1120	1	Inlet	103	112	108	99	97	93	89	84	104
		Outlet	106	112	108	103	100	96	92	86	106
	4	Inlet	101	110	106	97	95	91	87	82	102
		Outlet	103	108	105	101	98	94	90	84	104
	8	Inlet	96	108	102	93	90	87	83	78	98
		Outlet	100	105	102	97	94	89	84	79	100
1210	1	Inlet	104	113	112	101	98	96	92	86	107
		Outlet	107	113	112	105	102	98	95	89	109
	5	Inlet	102	111	109	99	96	93	89	84	104
		Outlet	104	109	108	102	100	96	92	86	106
	10	Inlet	97	108	106	94	91	89	85	81	100
		Outlet	102	106	105	99	96	91	86	81	102
1300	1	Inlet	106	114	115	104	100	98	94	89	109
		Outlet	108	114	115	107	104	100	97	91	111
	5	Inlet	104	112	114	102	98	96	91	86	108
		Outlet	106	110	111	105	102	98	94	88	108
	10	Inlet	98	109	111	98	95	92	87	82	105
		Outlet	102	106	108	102	99	94	89	83	105

490 CF

RPM	SP	Condition	SOUND POWER re 10-12 WATTS								Lw _i A
			OCTAVE BANDS								
			1	2	3	4	5	6	7	8	
350	1	Inlet	78	75	68	66	62	57	53	49	68
		Outlet	87	79	72	69	65	59	57	57	72
440	1	Inlet	86	87	79	74	71	67	61	56	78
		Outlet	92	91	83	78	73	67	61	56	81
	1.5	Inlet	82	83	76	71	69	64	59	55	75
		Outlet	89	88	79	75	72	66	62	60	79
530	1	Inlet	92	93	86	81	78	73	68	63	84
		Outlet	93	95	89	84	80	75	69	63	87
	2	Inlet	88	89	82	77	74	69	64	60	80
		Outlet	90	94	85	81	77	71	66	61	84
620	1	Inlet	96	100	90	86	83	78	73	68	90
		Outlet	97	99	93	89	86	81	75	69	92
	2	Inlet	94	97	88	83	81	76	71	67	87
		Outlet	94	99	91	88	83	78	72	67	90
	3	Inlet	92	95	85	80	78	74	69	65	84
		Outlet	93	97	88	85	81	75	70	66	87
710	1	Inlet	100	107	94	90	87	83	78	73	95
		Outlet	101	105	96	94	90	85	80	74	96
	2	Inlet	99	105	92	88	86	81	76	72	93
		Outlet	99	103	94	92	89	84	79	72	95
	4	Inlet	95	102	87	84	81	77	73	69	90
		Outlet	96	99	91	88	84	79	74	69	91
800	1	Inlet	102	111	97	93	91	87	82	76	98
		Outlet	103	109	99	97	93	89	84	78	100
	3	Inlet	99	108	95	90	88	84	79	74	96
		Outlet	100	105	97	95	92	87	82	76	97
	5	Inlet	96	107	91	87	85	81	76	72	94
		Outlet	98	103	94	91	88	82	77	72	94
890	1	Inlet	103	112	101	95	94	90	85	80	101
		Outlet	105	112	102	100	97	92	88	81	103
	3	Inlet	101	111	99	94	92	88	83	78	99
		Outlet	102	108	100	98	95	90	86	79	101
	6	Inlet	96	109	95	89	88	84	79	75	96
		Outlet	99	104	97	95	91	85	80	75	97
980	1	Inlet	104	114	104	98	96	93	88	83	103
		Outlet	106	114	105	103	99	95	92	85	105
	4	Inlet	102	112	102	96	94	90	85	81	101
		Outlet	103	109	102	100	98	93	89	82	103
	8	Inlet	97	109	97	91	89	86	82	78	97
		Outlet	101	106	99	96	93	88	83	78	99
1070	1	Inlet	106	115	108	101	98	95	91	85	106
		Outlet	108	115	109	105	102	98	94	88	108
	4	Inlet	104	113	107	99	97	93	88	84	104
		Outlet	105	111	106	103	100	96	91	85	106
	8	Inlet	98	111	104	95	93	89	84	80	101
		Outlet	101	107	104	100	97	91	86	81	102
1160	1	Inlet	107	116	113	103	100	97	93	88	108
		Outlet	109	116	113	107	104	100	96	90	110
	5	Inlet	105	114	111	101	99	95	91	86	106
		Outlet	107	112	110	105	102	98	94	88	108
	10	Inlet	100	111	108	97	95	91	87	82	103
		Outlet	103	108	107	102	98	93	88	83	104
1250	6	Inlet	106	115	114	103	100	97	93	88	109
		Outlet	108	113	113	106	104	100	96	90	110
	10	Inlet	102	112	113	101	98	95	90	85	107
		Outlet	104	109	110	105	102	97	91	86	107
	12	Inlet	101	111	111	99	96	93	89	84	105
		Outlet	105	109	109	103	100	95	90	85	106

The sound power level ratings shown are in decibels, referred to 10-12 watts, calculated per AMCA International Standard 301. The A-weighted sound ratings shown have been calculated per AMCA International Standard 301. Values shown are for inlet L_{wi}, L_{wA} and outlet L_{wo}, L_{woA} sound power levels for Installation Type B: free inlet, ducted outlet. Inlet ratings do not include the effects of duct end correction. Outlet ratings include the effects of duct end correction.

540 CF

RPM	SP	Condition	SOUND POWER re 10-12 WATTS								L _w A
			OCTAVE BANDS								
			1	2	3	4	5	6	7	8	
350	1	Inlet	83	80	72	69	65	60	55	50	72
		Outlet	93	84	77	73	68	62	57	52	76
425	1	Inlet	90	89	82	77	74	69	64	59	80
		Outlet	94	92	85	80	76	70	64	59	83
	1.5	Inlet	87	86	78	74	71	66	61	56	77
		Outlet	94	91	82	78	74	68	62	58	81
500	1	Inlet	95	94	87	82	79	74	69	65	86
		Outlet	96	95	90	86	82	77	71	65	88
	2	Inlet	92	90	83	79	76	71	66	61	82
		Outlet	94	95	87	83	78	73	67	62	86
575	1	Inlet	99	99	91	87	84	79	74	69	90
		Outlet	99	99	94	90	86	82	76	70	93
	2	Inlet	97	97	89	85	82	77	73	68	88
		Outlet	97	99	92	89	84	79	74	68	91
	3	Inlet	95	95	86	82	79	74	70	65	85
		Outlet	95	97	90	86	81	76	71	66	88
650	1	Inlet	103	105	94	91	88	83	78	73	95
		Outlet	103	104	97	94	90	86	80	74	97
	2	Inlet	101	104	92	89	86	82	77	72	93
		Outlet	101	102	95	93	89	85	79	73	95
	4	Inlet	98	101	88	85	82	78	73	69	89
		Outlet	98	99	92	89	84	79	74	69	91
725	1	Inlet	104	111	97	93	91	87	82	76	99
		Outlet	105	110	99	97	94	89	84	77	100
	3	Inlet	101	108	95	91	88	84	79	75	96
		Outlet	102	106	97	95	92	87	82	76	98
	5	Inlet	98	107	91	87	85	81	76	72	94
		Outlet	99	103	95	92	88	82	77	73	94
800	1	Inlet	105	114	100	96	94	90	85	79	102
		Outlet	106	113	102	100	97	92	88	81	103
	3	Inlet	103	112	98	94	92	88	83	78	100
		Outlet	104	109	100	98	95	90	86	79	101
	6	Inlet	99	110	94	90	88	84	79	75	97
		Outlet	100	105	97	95	91	85	80	75	97
875	1	Inlet	106	115	103	98	96	93	88	82	104
		Outlet	108	115	105	103	99	95	91	84	106
	3	Inlet	105	114	102	97	95	91	86	81	102
		Outlet	105	111	103	101	98	93	89	82	104
	6	Inlet	100	113	99	93	92	87	82	78	100
		Outlet	101	107	101	98	95	89	84	78	100
950	1	Inlet	107	117	106	100	98	95	91	85	106
		Outlet	109	117	107	105	102	97	94	87	108
	4	Inlet	105	115	104	98	97	93	88	83	104
		Outlet	106	112	104	103	100	95	91	85	105
	8	Inlet	100	114	100	94	93	89	84	80	101
		Outlet	102	108	102	100	96	90	85	80	102
1025	1	Inlet	108	118	109	102	100	97	93	87	108
		Outlet	110	118	110	107	104	100	96	89	110
	5	Inlet	106	116	107	100	98	95	90	85	105
		Outlet	107	113	107	105	102	97	93	87	107
	10	Inlet	101	113	103	96	94	91	86	82	102
		Outlet	104	110	105	101	98	92	87	83	103
1100	1	Inlet	109	118	113	105	102	99	95	89	110
		Outlet	111	119	113	109	106	102	98	92	112
	6	Inlet	107	116	111	102	100	96	92	87	107
		Outlet	108	114	110	106	104	99	95	89	109
	12	Inlet	102	113	107	97	95	92	88	84	103
		Outlet	106	111	107	102	99	94	89	85	105

600 CF

RPM	SP	Condition	SOUND POWER re 10-12 WATTS								L _w A
			OCTAVE BANDS								
			1	2	3	4	5	6	7	8	
300	1	Inlet	83	77	70	68	64	59	54	50	70
		Outlet	92	80	75	72	66	60	57	54	74
370	1	Inlet	91	88	80	77	73	68	63	58	79
		Outlet	97	91	84	80	74	68	63	58	82
	1.5	Inlet	87	84	77	74	70	65	60	56	76
		Outlet	96	88	81	78	73	67	63	59	80
440	1	Inlet	96	93	86	82	79	74	69	64	85
		Outlet	98	95	90	86	81	76	70	64	88
	2	Inlet	93	89	82	79	75	70	65	60	81
		Outlet	96	94	86	82	78	72	66	61	85
510	1	Inlet	101	97	91	87	84	79	74	69	90
		Outlet	101	98	94	90	86	82	75	69	92
	2	Inlet	99	95	88	85	81	77	72	67	88
		Outlet	99	98	92	89	84	79	73	67	91
	3	Inlet	97	92	85	82	79	74	70	65	85
		Outlet	97	95	89	86	81	76	71	67	88
580	1	Inlet	105	103	94	91	88	83	78	73	94
		Outlet	105	102	97	94	90	86	80	73	96
	2	Inlet	103	101	92	90	86	82	77	72	92
		Outlet	103	101	96	93	89	84	79	72	95
	4	Inlet	101	98	87	85	82	78	73	69	88
		Outlet	99	98	92	89	84	79	74	69	91
650	1	Inlet	107	109	97	94	91	87	82	76	98
		Outlet	107	108	100	98	94	90	84	77	100
	3	Inlet	104	106	95	91	89	84	79	75	95
		Outlet	103	105	98	96	92	87	82	75	98
	5	Inlet	101	104	91	88	85	81	77	73	92
		Outlet	101	102	95	92	87	82	77	73	94
720	1	Inlet	108	114	100	97	94	90	85	80	102
		Outlet	108	113	103	101	97	93	88	81	103
	3	Inlet	106	112	98	95	92	88	83	78	100
		Outlet	106	109	101	99	95	91	85	79	101
	6	Inlet	102	110	94	90	88	84	79	75	97
		Outlet	102	106	98	95	91	85	80	76	97
790	1	Inlet	109	117	103	99	97	93	88	82	105
		Outlet	110	116	105	103	100	96	91	84	106
	3	Inlet	107	116	102	98	95	91	86	81	103
		Outlet	107	113	103	102	98	94	89	82	104
	6	Inlet	103	114	99	94	92	88	83	78	101
		Outlet	103	109	101	99	95	89	84	78	101
860	1	Inlet	110	118	106	101	99	95	91	85	107
		Outlet	111	118	107	105	102	98	94	87	109
	4	Inlet	108	117	104	99	97	93	88	83	105
		Outlet	108	114	105	104	100	96	91	85	106
	8	Inlet	103	115	100	95	94	89	84	80	102
		Outlet	104	110	103	100	97	91	86	80	102
930	1	Inlet	110	120	108	103	101	98	93	87	108
		Outlet	112	120	109	108	104	100	97	89	111
	5	Inlet	108	118	106	101	99	95	90	86	106
		Outlet	109	115	107	105	103	98	93	87	108
	10	Inlet	103	116	102	96	95	91	87	82	103
		Outlet	106	111	104	102	98	93	88	83	104
1000	1	Inlet	111	121	111	104	103	99	94	89	110
		Outlet	111	118	111	108	106	101	97	90	111
	5	Inlet	104	118	107	100	98	94	89	84	106
		Outlet	106	112	108	105	102	96	90	85	107
	10	Inlet	104	116	105	98	97	93	89	84	104
		Outlet	107	112	107	103	100	95	90	85	106

The sound power level ratings shown are in decibels, referred to 10-12 watts, calculated per AMCA International Standard 301. The A-weighted sound ratings shown have been calculated per AMCA International Standard 301. Values shown are for inlet L_{wi}, L_{wi}A and outlet L_{wo}, L_{wo}A sound power levels for Installation Type B: free inlet, ducted outlet. Inlet ratings do not include the effects of duct end correction. Outlet ratings include the effects of duct end correction.

660 CF

RPM	SP	Condition	SOUND POWER re 10-12 WATTS								Lw _i A
			OCTAVE BANDS								
			1	2	3	4	5	6	7	8	
300	1	Inlet	88	82	74	72	68	62	58	53	75
		Outlet	97	85	79	76	70	63	59	54	78
360	1	Inlet	94	90	83	79	75	70	65	61	82
		Outlet	99	92	86	82	77	71	66	60	85
	2	Inlet	89	84	78	75	72	67	63	59	78
		Outlet	96	88	82	79	74	69	67	67	81
420	1	Inlet	100	94	88	84	80	76	71	66	87
		Outlet	100	96	91	88	83	78	72	66	90
	2	Inlet	97	91	85	81	77	72	67	63	84
		Outlet	99	95	89	85	80	74	68	63	87
480	1	Inlet	105	97	91	89	85	80	75	70	91
		Outlet	104	98	95	92	87	83	77	70	94
	2	Inlet	102	95	89	87	83	78	74	69	89
		Outlet	102	98	94	90	86	81	75	69	92
	3	Inlet	101	93	86	84	80	75	71	66	87
		Outlet	99	96	91	88	82	77	72	67	89
540	1	Inlet	108	102	94	92	89	84	79	74	95
		Outlet	107	102	98	96	91	87	81	74	97
	2	Inlet	106	101	93	91	87	83	78	73	93
		Outlet	105	101	97	94	90	85	79	73	96
	4	Inlet	104	97	89	87	83	79	74	70	90
		Outlet	101	98	94	90	85	80	75	70	92
600	1	Inlet	109	108	98	95	92	88	82	77	98
		Outlet	109	107	101	99	94	90	84	78	101
	3	Inlet	106	105	95	93	89	85	80	75	96
		Outlet	105	104	99	97	92	88	82	76	98
	5	Inlet	104	103	92	89	86	82	77	73	93
		Outlet	103	102	96	93	88	83	78	73	95
660	1	Inlet	110	113	101	97	95	90	85	80	102
		Outlet	110	112	104	101	97	93	88	81	104
	3	Inlet	108	111	99	96	93	88	83	79	100
		Outlet	107	109	102	100	96	91	86	79	102
	6	Inlet	105	108	95	92	89	84	80	76	96
		Outlet	104	106	99	96	91	86	81	76	98
720	1	Inlet	111	117	103	100	97	93	88	83	105
		Outlet	112	116	106	104	100	96	91	84	107
	3	Inlet	110	116	102	98	96	91	86	82	104
		Outlet	109	113	104	102	98	94	89	82	105
	6	Inlet	106	114	99	95	93	88	83	78	101
		Outlet	105	109	102	99	95	89	84	79	101
780	1	Inlet	112	120	106	102	99	96	91	85	107
		Outlet	113	119	108	106	102	98	94	86	109
	4	Inlet	110	118	104	100	98	93	88	84	106
		Outlet	110	115	106	104	100	96	91	85	106
	8	Inlet	106	117	100	96	94	89	84	80	103
		Outlet	106	111	103	101	96	91	86	81	103
840	1	Inlet	113	121	108	103	101	98	93	87	109
		Outlet	114	121	110	108	104	100	96	89	111
	5	Inlet	111	119	106	101	99	95	90	85	107
		Outlet	110	116	107	106	102	98	93	87	108
	10	Inlet	106	117	102	97	95	91	87	82	104
		Outlet	107	112	105	102	98	93	88	83	104
900	1	Inlet	113	122	110	105	103	100	95	89	111
		Outlet	115	122	112	110	106	102	98	91	113
	6	Inlet	111	120	108	103	101	97	92	87	108
		Outlet	111	117	109	107	104	100	95	89	110
	12	Inlet	107	118	103	98	97	93	88	85	105
		Outlet	109	114	106	103	100	94	90	85	106

730 CF

RPM	SP	Condition	SOUND POWER re 10-12 WATTS								Lw _i A
			OCTAVE BANDS								
			1	2	3	4	5	6	7	8	
250	1	Inlet	84	78	72	69	65	59	55	50	71
		Outlet	91	81	76	73	67	61	58	54	75
305	1	Inlet	94	88	80	78	74	68	63	58	80
		Outlet	100	90	84	80	74	68	63	58	83
	1.5	Inlet	90	84	76	75	71	65	61	56	77
		Outlet	99	87	81	79	73	67	63	60	81
360	1	Inlet	99	93	86	83	79	74	69	64	86
		Outlet	101	95	90	86	81	76	70	64	88
	2	Inlet	96	89	82	79	75	70	65	61	82
		Outlet	101	93	87	83	78	72	67	62	85
415	1	Inlet	105	96	91	88	84	79	74	69	90
		Outlet	104	98	94	91	86	81	75	69	93
	2	Inlet	102	94	88	85	82	77	72	67	88
		Outlet	103	97	93	89	84	78	72	67	91
	3	Inlet	100	91	85	83	79	74	70	66	85
		Outlet	101	94	89	86	81	76	71	68	88
470	1	Inlet	109	99	94	92	88	83	78	73	94
		Outlet	108	100	98	95	90	86	79	73	97
	2	Inlet	107	97	92	90	86	81	77	72	92
		Outlet	106	98	96	94	89	84	78	72	95
4	Inlet	105	93	87	86	82	78	74	70	88	
	Outlet	102	96	92	89	84	79	74	70	91	
525	1	Inlet	111	104	97	95	91	87	81	76	97
		Outlet	110	104	101	98	94	90	83	76	100
	2	Inlet	110	103	96	94	90	85	80	76	96
		Outlet	108	103	100	97	92	88	82	75	99
	4	Inlet	108	100	92	91	86	81	77	72	93
		Outlet	104	101	97	94	88	83	77	72	95
580	1	Inlet	112	109	100	97	94	90	85	79	100
		Outlet	112	109	103	101	97	93	87	80	103
	3	Inlet	110	107	98	95	92	87	83	78	98
		Outlet	109	107	101	99	95	90	85	78	101
	6	Inlet	107	104	93	91	88	84	79	75	94
		Outlet	105	104	98	95	90	85	80	75	97
635	1	Inlet	113	114	103	100	97	93	87	82	104
		Outlet	113	114	106	103	99	96	90	83	106
	3	Inlet	112	113	101	98	95	91	86	81	102
		Outlet	110	111	104	102	98	93	88	81	104
	6	Inlet	109	111	98	95	92	87	82	77	99
		Outlet	106	107	102	99	94	88	83	77	100
690	1	Inlet	114	118	105	102	99	95	90	84	106
		Outlet	115	118	108	106	102	98	93	85	108
	4	Inlet	112	116	103	100	97	93	88	83	105
		Outlet	111	114	106	104	100	95	90	84	106
	8	Inlet	108	114	99	96	93	89	84	80	101
		Outlet	107	110	103	100	96	90	85	80	102
745	1	Inlet	115	122	108	104	101	97	93	87	109
		Outlet	116	122	110	108	104	100	95	88	111
	5	Inlet	113	120	105	101	99	95	90	85	107
		Outlet	112	117	107	106	102	97	92	86	108
	10	Inlet	109	117	101	97	95	91	86	82	104
		Outlet	109	113	104	101	97	92	87	83	104
800	1	Inlet	115	123	110	105	103	99	95	89	111
		Outlet	116	123	112	110	106	102	98	90	113
	6	Inlet	113	121	107	103	101	96	92	87	109
		Outlet	113	118	109	107	104	99	95	88	110
	12	Inlet	109	118	102	98	96	92	88	85	105
		Outlet	110	115	106	103	99	94	89	85	106

The sound power level ratings shown are in decibels, referred to 10-12 watts, calculated per AMCA International Standard 301. The A-weighted sound ratings shown have been calculated per AMCA International Standard 301. Values shown are for inlet L_{wi}, L_{wA} and outlet L_{wo}, L_{wA} sound power levels for Installation Type B: free inlet, ducted outlet. Inlet ratings do not include the effects of duct end correction. Outlet ratings include the effects of duct end correction.

CP

Loren Cook Company CP centrifugal utility vent sets offer durability and reliability in a self-contained package.

CP's are ideal for low to medium volume and pressure applications. They are available in a number of wheel options for maximum performance flexibility.

- Produced in an ISO 9001 Certified facility
- Listed by Underwriters Laboratory (UL 705) and UL Listed for Canada (cUL 705).
- Rotatable housing is standard on all models. Discharge flanges are standard on all belt drive models, except in downblast or bottom angular down discharge positions (see page 17).

Belt Drives

Backward Inclined Flat Blade Wheel: CPS, CPA & CPV

Licensed to bear AMCA Certified Ratings Seals for Air and Sound Performance.

UL/cUL 762 listing for restaurant applications available.

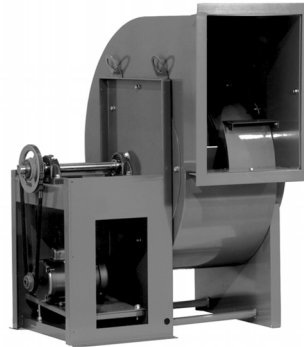
Steel Wheel / Steel Scroll (CPS)

Aluminum Wheel / Aluminum Scroll (CPA)

- Wheel Sizes: 10 - 49"
- Capacity: 70 - 49,150 CFM
- Static Pressure: 1 - 8"
- Class I or Class II (size 120 - 365)
- CPA is Spark Resistant Type A construction (see page 20)

Aluminum Wheel / Steel Scroll (CPV)

- Wheel Sizes: 10 - 49"
- Capacity: 50 - 43,400 CFM
- Static Pressure: 0.25 - 2.5"



CPV shown. All belt drive units use this body style.

Backward Inclined Airfoil Wheel: CPS-A & CPA-A

Licensed to bear AMCA Certified Ratings Seals for Air and Sound Performance.

UL/cUL 762 listing for restaurant applications available.

Steel Wheel / Steel Scroll (CPS-A)

Aluminum Wheel / Aluminum Scroll (CPA-A)

- Wheel Sizes: 12 - 49"
- Capacity: 700 - 53,550 CFM
- Static Pressure: 1 - 8"
- Class I or Class II (size 120 - 365)
- CPA-A is Spark Resistant Type A construction. (see page 20)
- CPS-A is available with UL/cUL listing for "Power Ventilator for Smoke Control Systems".

Forward Curved Wheel: CPFB

Licensed to bear AMCA Certified Ratings Seal for Air and Sound Performance.

Steel Wheel / Steel Scroll CPFB

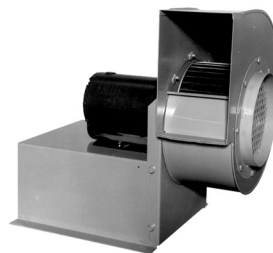
- Wheel Sizes: 10 - 30"
- Capacity: 500 - 25,000 CFM
- Static Pressure: 0.125 - 2"

Direct Drives

Forward Curved Wheel: CPFD

Steel Wheel / Steel Scroll

- Wheel Sizes: 6 - 12"
- Capacity: 203 - 2,635 CFM
- Static Pressure: 0.125 - 2"



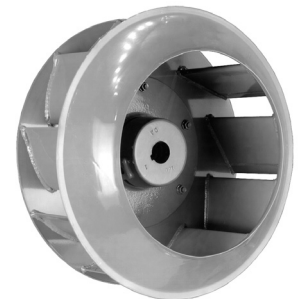
The Wheels



CPV uses a riveted aluminum wheel, with backward inclined flat blades.



CPS uses a welded, Lorenized® steel wheel, with backward inclined flat blades. CPA uses a welded, aluminum wheel.



CPS-A uses a welded, Lorenized® steel wheel, with backward inclined airfoil blades. CPA-A uses a welded, aluminum wheel.



CPFB & CPFD use a steel wheel, with forward curved blades.

FCP

Why Fiberglass?

Fiber-reinforced polyester (FRP) provides excellent corrosion resistance and weight saving when compared to carbon steel.

Fiberglass fans can weigh up to 25% less than traditional steel fans.

Cook fiberglass products are constructed of corrosion resistant fiberglass resin, which is formulated to achieve a Class I flame spread of 25 or less. All resin is protected with a chemical, flame and ultraviolet top coating. A neoprene seal protects the shaft. Motors and drives are enclosed in a compartment, protected from corrosion and weather.

Cook's FRP was successfully tested with more than 90 corrosive materials, in environments 150 to 210⁰F.

See Fiberglass catalog for a full list of corrosion and temperature ratings.

Typical Applications

- Water Treatment Plants
- Wastewater Treatment Plants
- Pumping Stations
- Indoor Swimming Pools
- Aquariums
- Laboratory Exhaust Systems
- Chemical Process Facilities
- Pulp and Paper Mills
- Fertilizer Manufacturing
- Chemical Storage Facilities
- Battery Charging Stations

FCP: Utility Set

FCP is a centrifugal utility vent set for higher pressure applications.

9 belt drive sizes, with either standard or high pressure wheels

10 discharge rotation choices

Arrangement 10, class II construction

Motor, drives, and bearings are easily accessible, in OSHA motor compartment / weather cover

Airstream hardware 304 Stainless steel and encapsulated, no metal parts in the airstream

Heavy duty ball or roller bearings with extended lube lines

Shaft with fiberglass sleeve in airstream and sized to operate well below critical speed

Outlet flange





LOREN COOK COMPANY

2015 E. DALE STREET
SPRINGFIELD, MO 65803-4637

417.869.6474

FAX 417.862.3820

lorencook.com